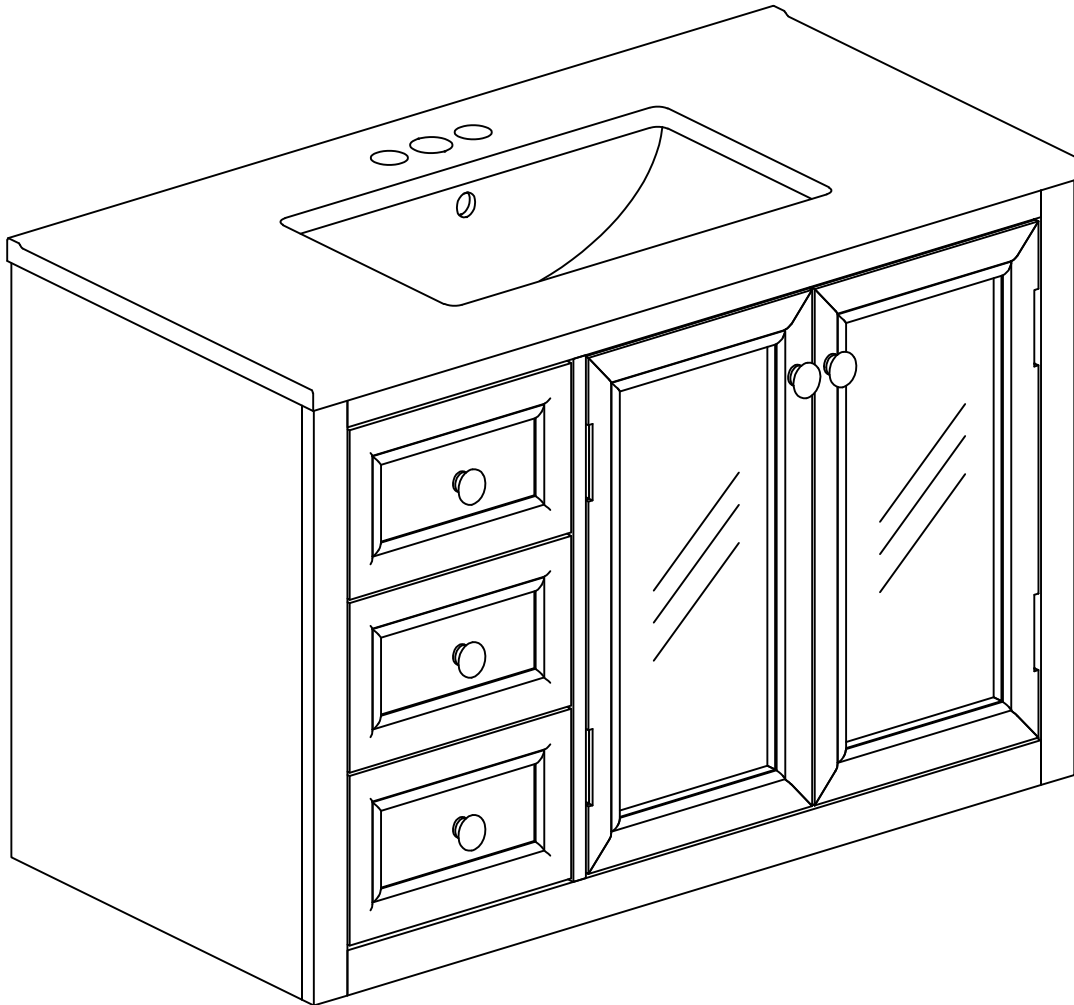


ASSEMBLY INSTRUCTIONS


BATH VANITY-CABINET

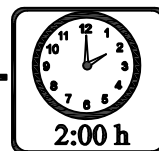
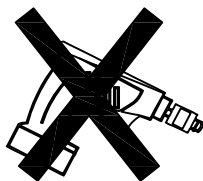


Thank you for purchasing this quality product. Be sure to check all packing material carefully for small parts which may have come loose inside the carton during shipment. Separate, identify and count all parts and hardware.

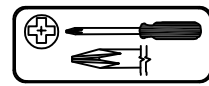
Compare with the parts list to be sure all parts are present.

DO NOT TIGHTEN SCREWS UNTIL COMPLETELY ASSEMBLED

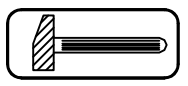

* Use of power tool to assemble this product will invalidate any claim and damage this product making unsafe !!!
* Please assemble on a clean soft surface to avoid damage.



Tools Required



(Not included)

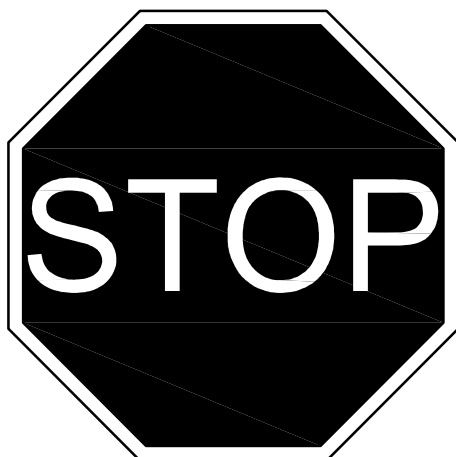


(Not included)

IMPORTANT:

PLEASE READ INSTRUCTION BEFORE STARTING THE ASSEMBLY

PLEASE DO NOT RETURN TO STORE



**Please do not return this product to the retailer!!
We are able to assist you in ANY way**

If you find that you have any trouble with assembly or missing or damaged parts please contact the seller.

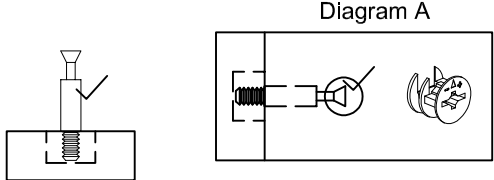
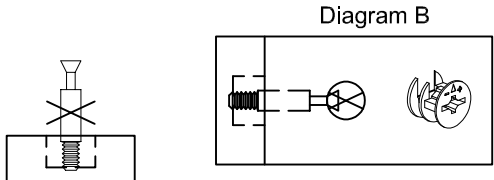
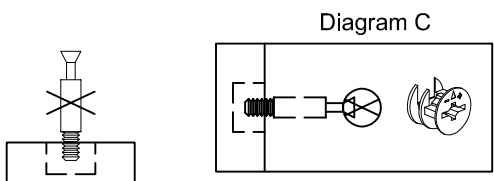
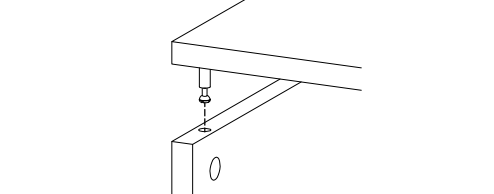
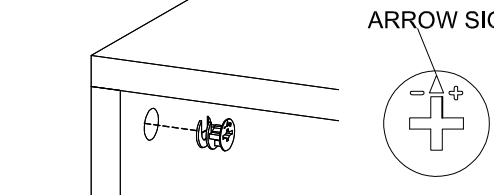
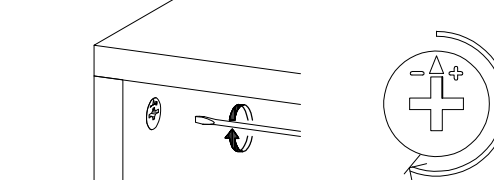
Before Installation

Important – Please read these instructions fully before starting assembly

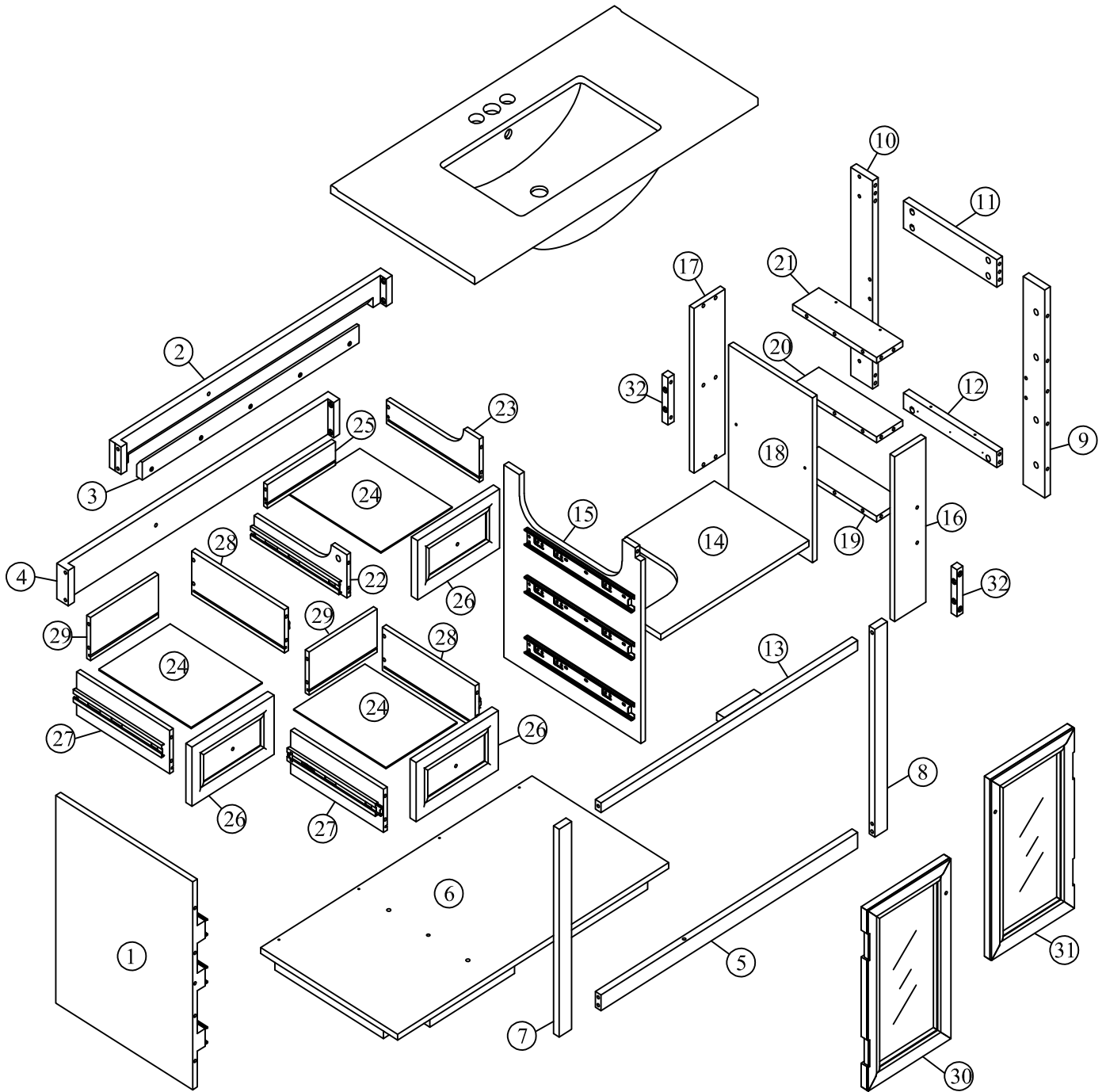
Thank you for purchasing this quality product. Be sure to check all packing materials carefully for small parts, which may have come loose inside the carton during shipment. Identify and count all items according to the PARTS LIST and/or HARDWARE LIST shown below. Check you have all the components and tools listed on the following pages.

- We recommend that you assemble this product with the assistance of another person; this will make the assembly easier, and will help eliminate damage to the product or injury to persons during assembly.
- Please do not over tighten screws or bolts until the assembly is completed.
- Keep children and animal away from the work area, small parts could choke if swallowed.
- Please put all parts on a non-abrasive floor before assembly, and follow the assembly steps to assemble your newly purchased product correctly and efficiently.

Cam Lock Assembly Instructions

	<p>Diagram A</p> <p>Insert Cam Bolt into hole as shown in diagram A.</p>
	<p>Diagram B</p> <p>Make sure not to insert the Cam Bolt: Too deep as shown in figure B as this will cause the Cam Lock to be misaligned and unable to interlock properly.</p>
	<p>Diagram C</p> <p>Also avoid inserting the Cam Bolt too close to the surface of the hole as shown in figure C, as this will cause the Cam Lock to be too loose, and not interlock properly.</p>
	<p>Connect the panels together.</p>
	<p>ARROW SIGN</p> <p>Insert the Cam Lock so the side opening fits over the head of the Cam Bolt.</p>
	<p>To tighten the Cam Lock, turn it clockwise on half a turn with a flat screwdriver. <i>*Do not use an automatic screwdriver as it may bend or break if too much power is imposed.</i></p>

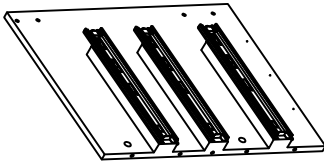
Detail View



Identifying the Hardware-Identify the hardware using the illustrations below.

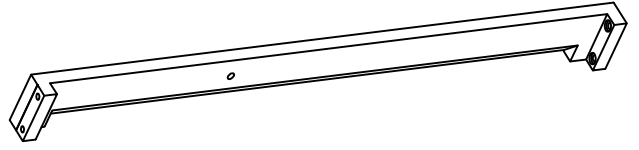
Part Lists N710P223187F

1



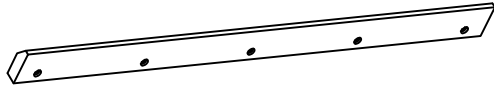
Side Panel (L) - 1pc

2



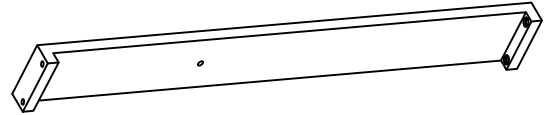
Back Rear Cross Bar (R) - 1pc

3



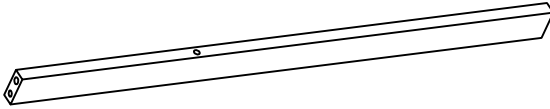
Back Cross Bar - 1pc

4



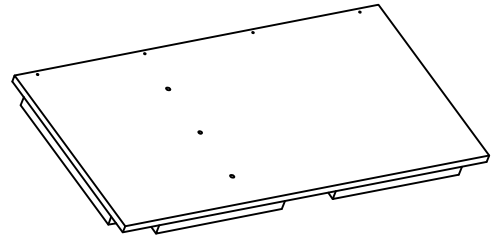
Back Middle Crossbar - 1pc

5



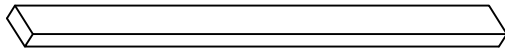
Front Frame - 1pc

6



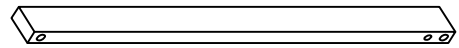
Bottom Frame - 1pc

7



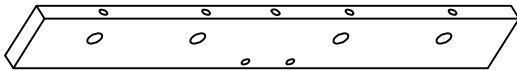
Left Leg - 1pc

8



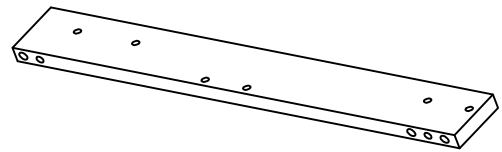
Right Leg - 1pc

9



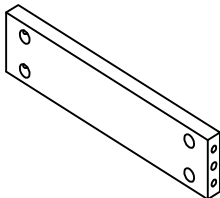
Front Right - 1pc

10



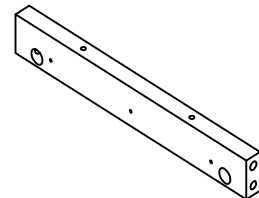
Back Right - 1pc

11



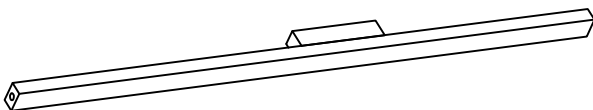
Top Rear Crossbar - 1pc

12



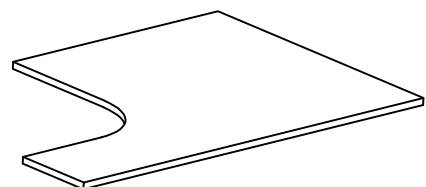
Cross Bar - 1pc

13



Front Top Cross Bar (L) - 1pc

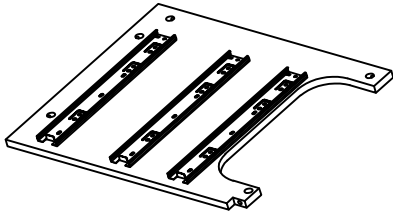
14



Shelf (R) - 1pc

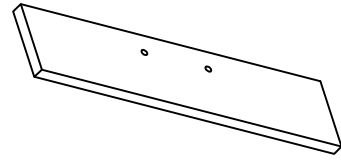
Part Lists N710P223187F

15



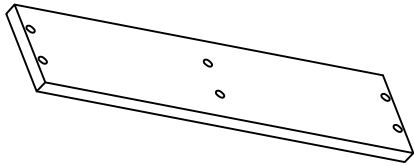
Right Panel - 1pc

16



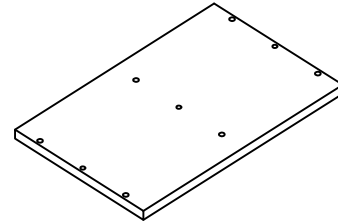
Front Panel (L) - 1pc

17



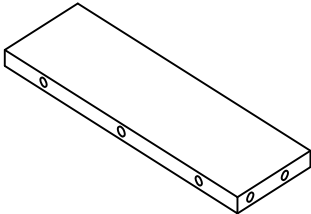
Back Panel (R) - 1pc

18



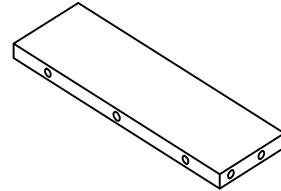
Mid Panel - 1pc

19



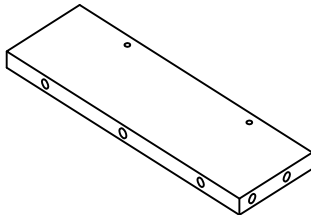
Bottom Shelf - 1pc

20



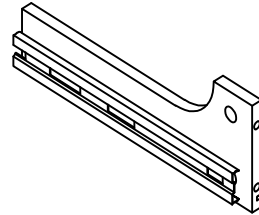
Middle Shelf - 1pc

21



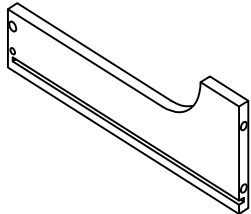
Top Shelf (L) - 1pc

22



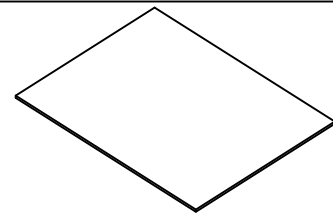
Middle Side (R) - 1pc

23



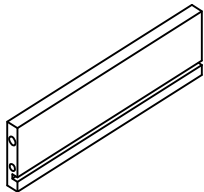
Right Side - 1pc

24



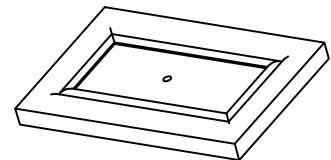
Bottom Drawer Face - 3pcs

25



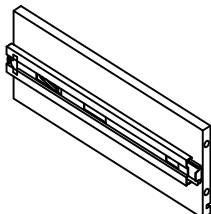
Small Back Side - 1pc

26



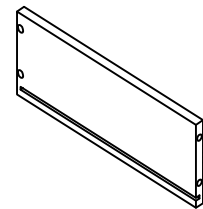
Front Drawer Panel - 3pcs

27



Left Side - 2pcs

28



Mid Panel - 2pcs

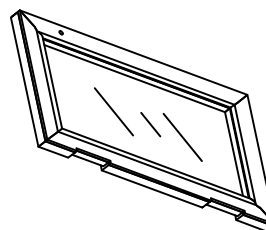
Part Lists N710P223187F

29



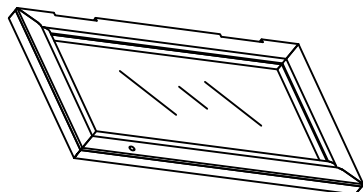
Big Back Side - 2pcs

30



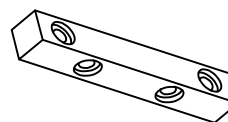
Left Door (L) - 1pc

31

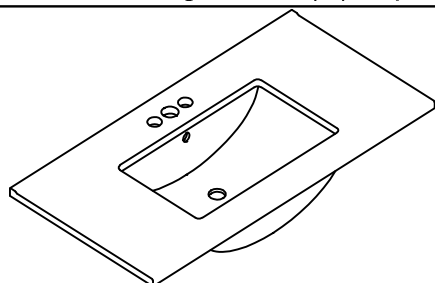


Right Door (R) - 1pc

32

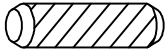
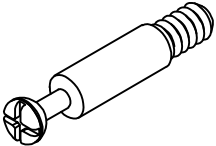

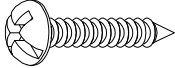
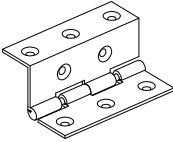
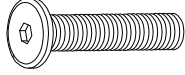
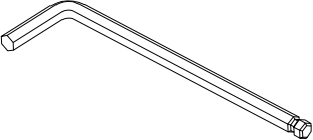
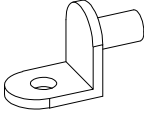

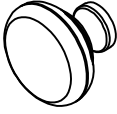
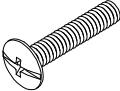
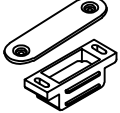
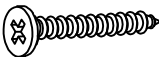

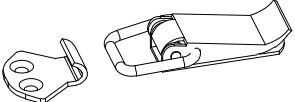
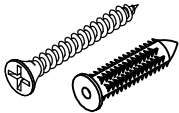
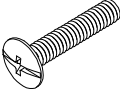

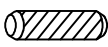


Small Cross Bar - 2pcs






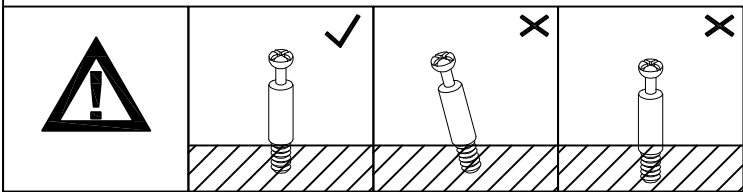
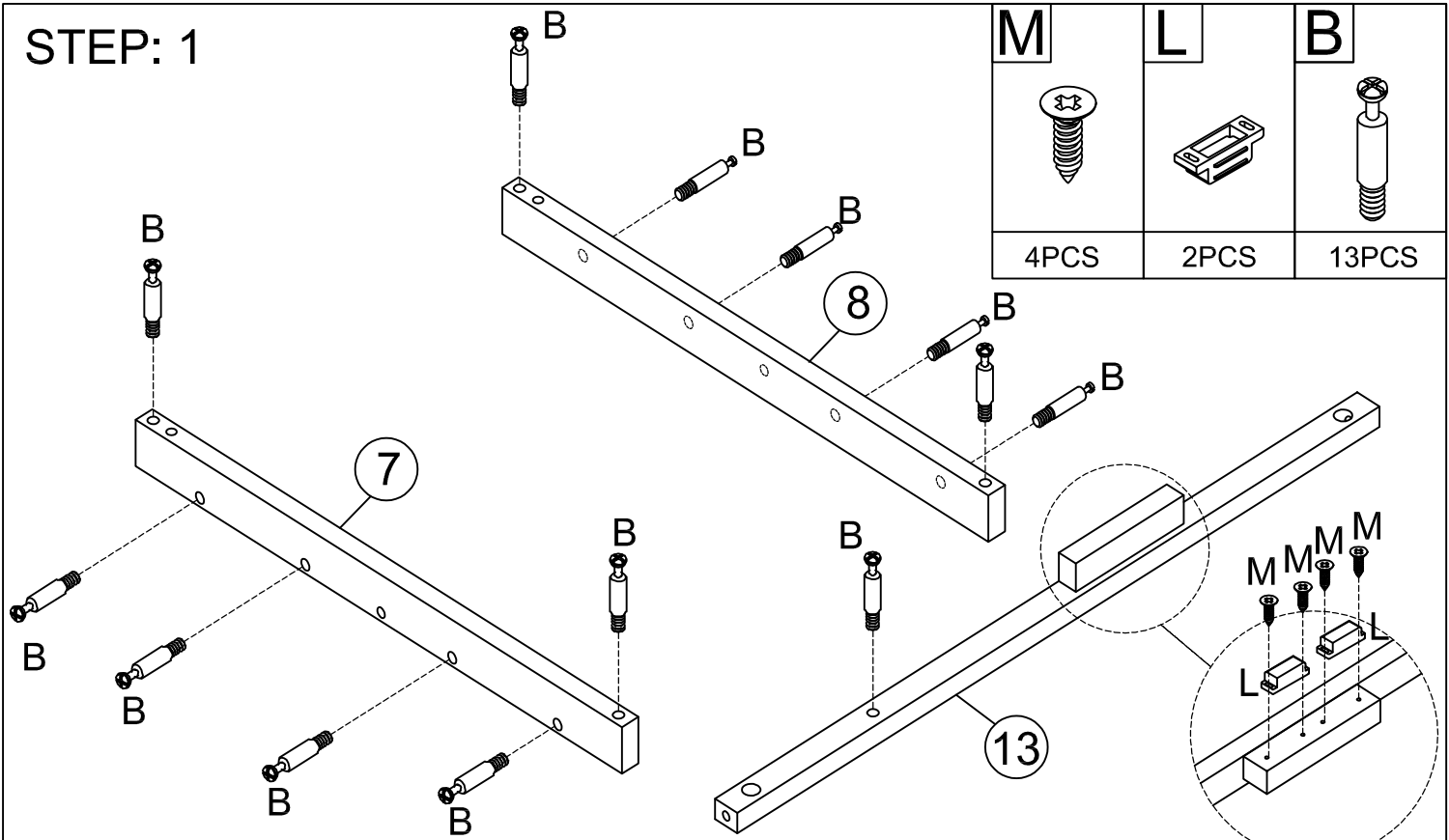
Sink - 1pc

Hardware Lists - N710P223187F



<p>A</p>  <p>Ø8*20mm</p> <p>Wood dowel (13pcs)</p>	<p>B</p>  <p>Ø6*34mm</p> <p>Three in one bolts (63pcs)</p>	<p>C</p>  <p>Ø14.5*9.5mm</p> <p>Three in one locks (63pcs)</p>
<p>D</p>  <p>Ø8xØ4*25mm</p> <p>Round head screw (18pcs)</p>	<p>E</p>  <p>Hinge (4pcs)</p>	<p>F</p>  <p>Ø13xØ1/4*25mm</p> <p>Hex-Head bolt (16pcs)</p>
<p>G</p>  <p>K4mm</p> <p>Allen key (1pc)</p>	<p>H</p>  <p>Shelf Pin (3pcs)</p>	<p>I</p>  <p>Ø6xØ3*12mm</p> <p>Round head screw (3pcs)</p>
<p>J</p>  <p>Handle(5pcs)</p>	<p>K</p>  <p>Ø5/32*19mm</p> <p>Handle screw (2pcs)</p>	<p>L</p>  <p>45*12*1mm 45*17*14mm</p> <p>Plastic Door Magnet (2set)</p>
<p>M</p>  <p>Ø6xØ3*15mm</p> <p>Flat head screw (16pcs)</p>	<p>N</p>  <p>Ø6xØ3*12mm</p> <p>Flat head screw (32pcs)</p>	<p>O</p>  <p>(2 set)</p>
<p>P</p>  <p>(5 set)</p>	<p>Q</p>  <p>Ø5/32*15mm</p> <p>Handle screw (3pcs)</p>	<p>R</p>  <p>Ø8xØ4*45mm</p> <p>Round head screw (2pcs)</p>
<p>T</p>  <p>Ø6*20mm</p> <p>Wood dowel (13pcs)</p>		

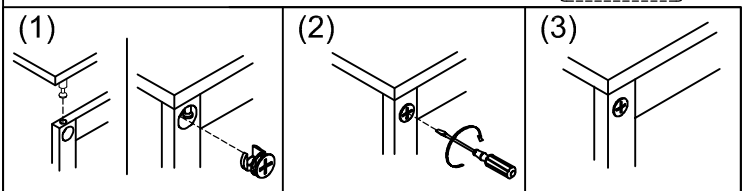
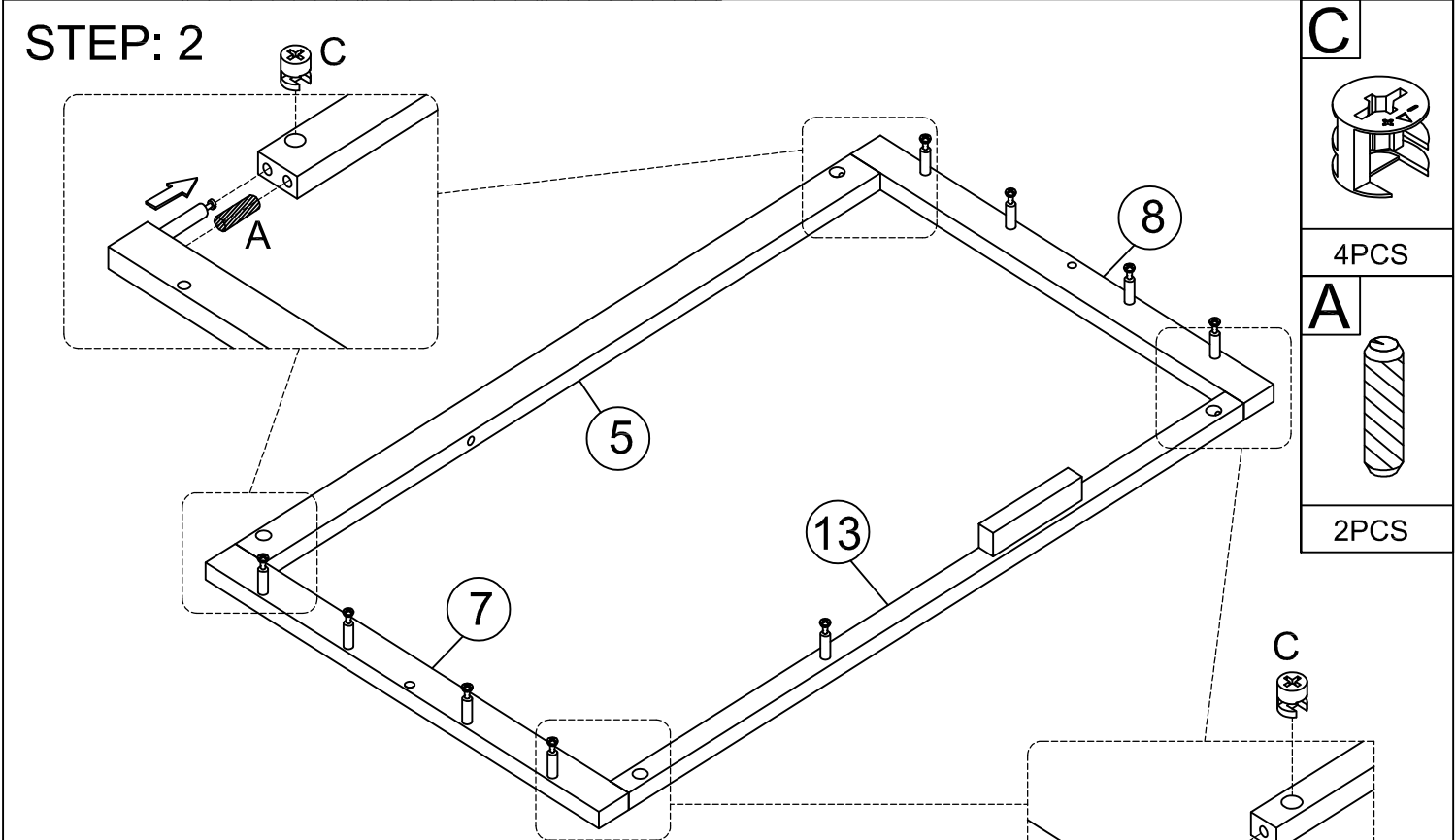
STEP: 1

M	L	B
		
4PCS	2PCS	13PCS

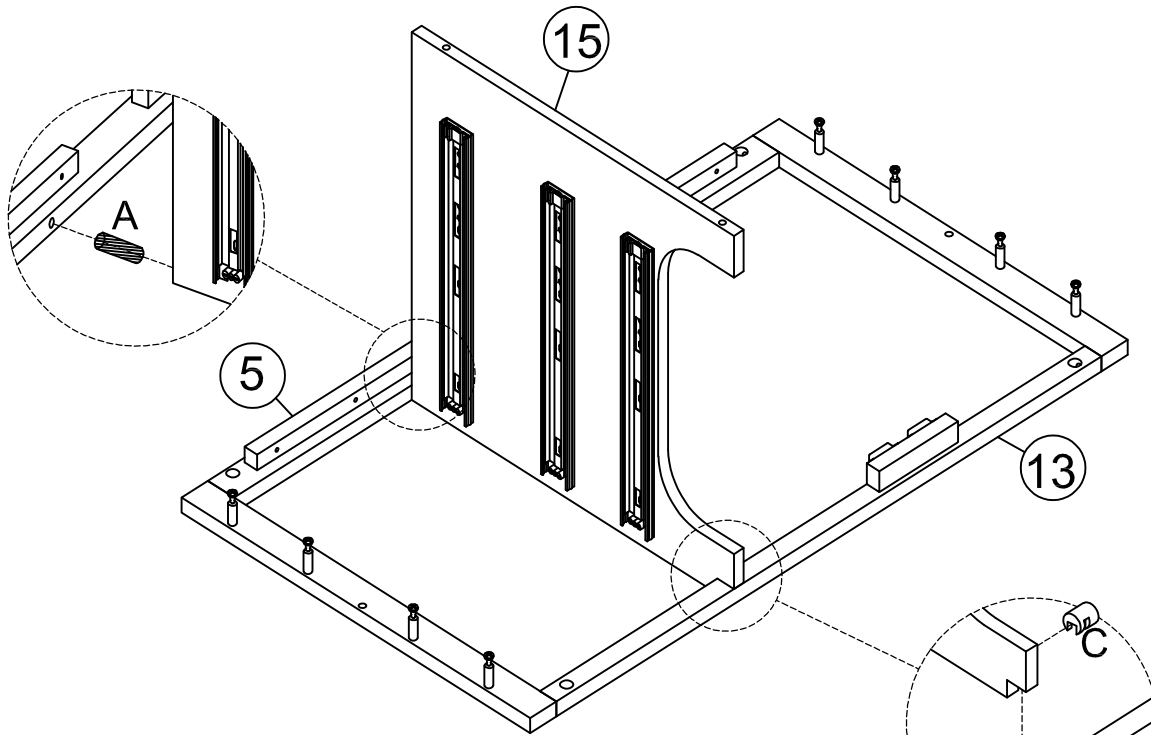


STEP: 2

C

4PCS
A

2PCS



STEP: 3



C

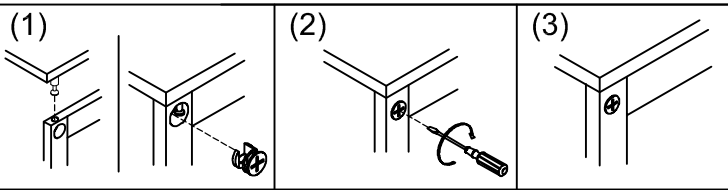


1PC

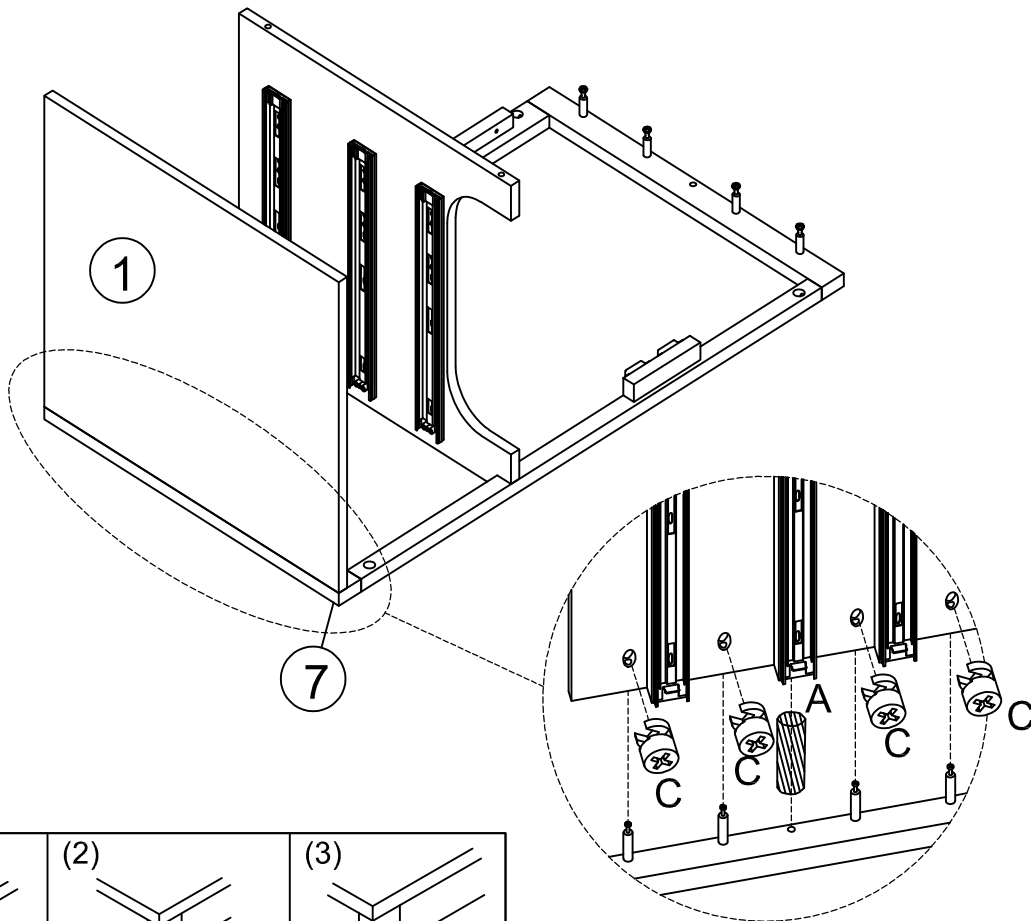
A



1PC



STEP: 4



C

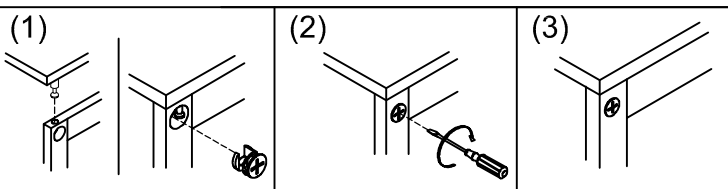


4PCS

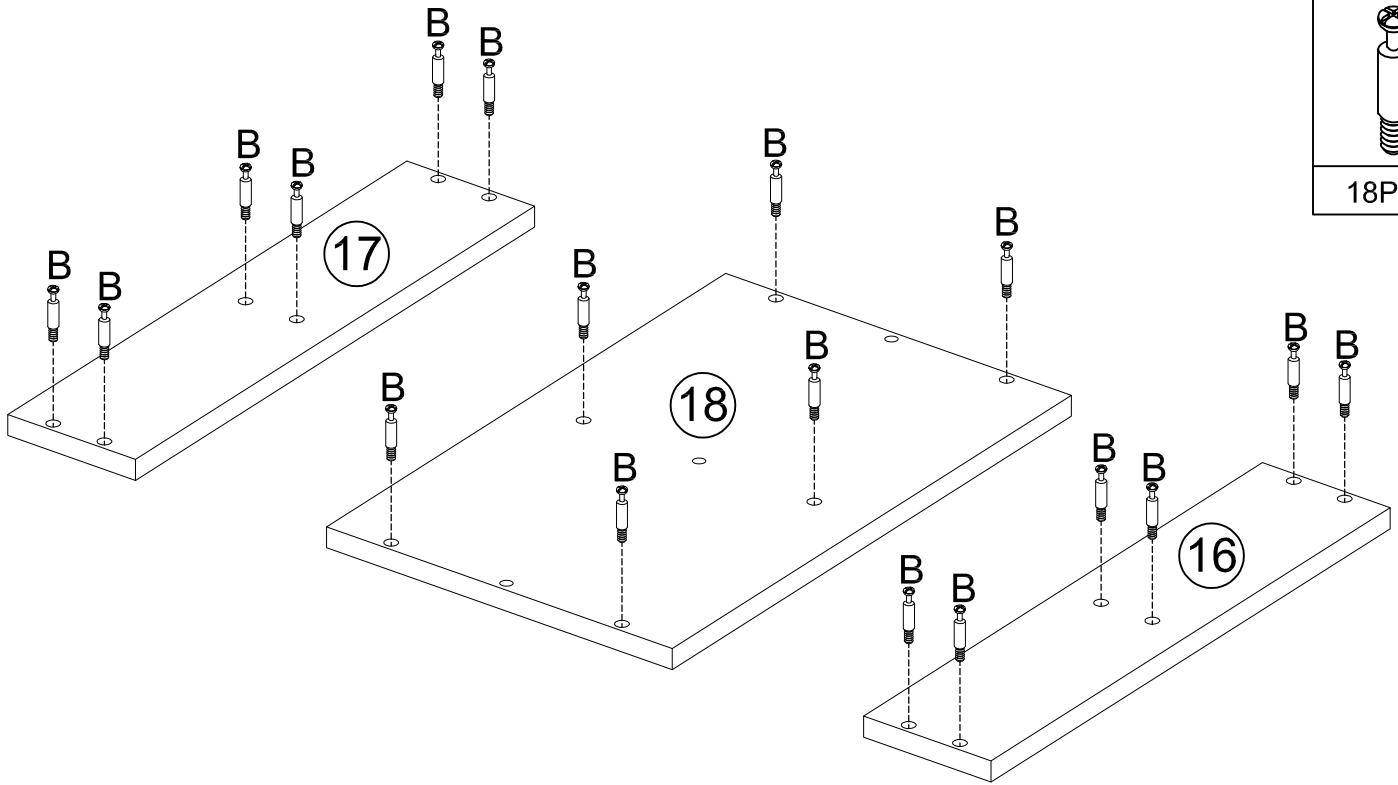
A



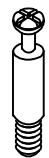
1PC



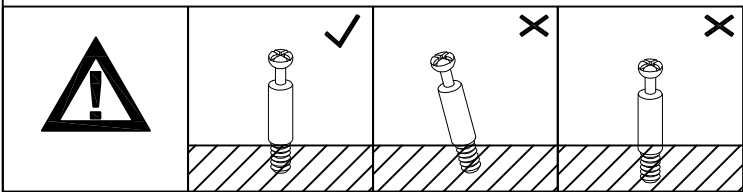
STEP: 5



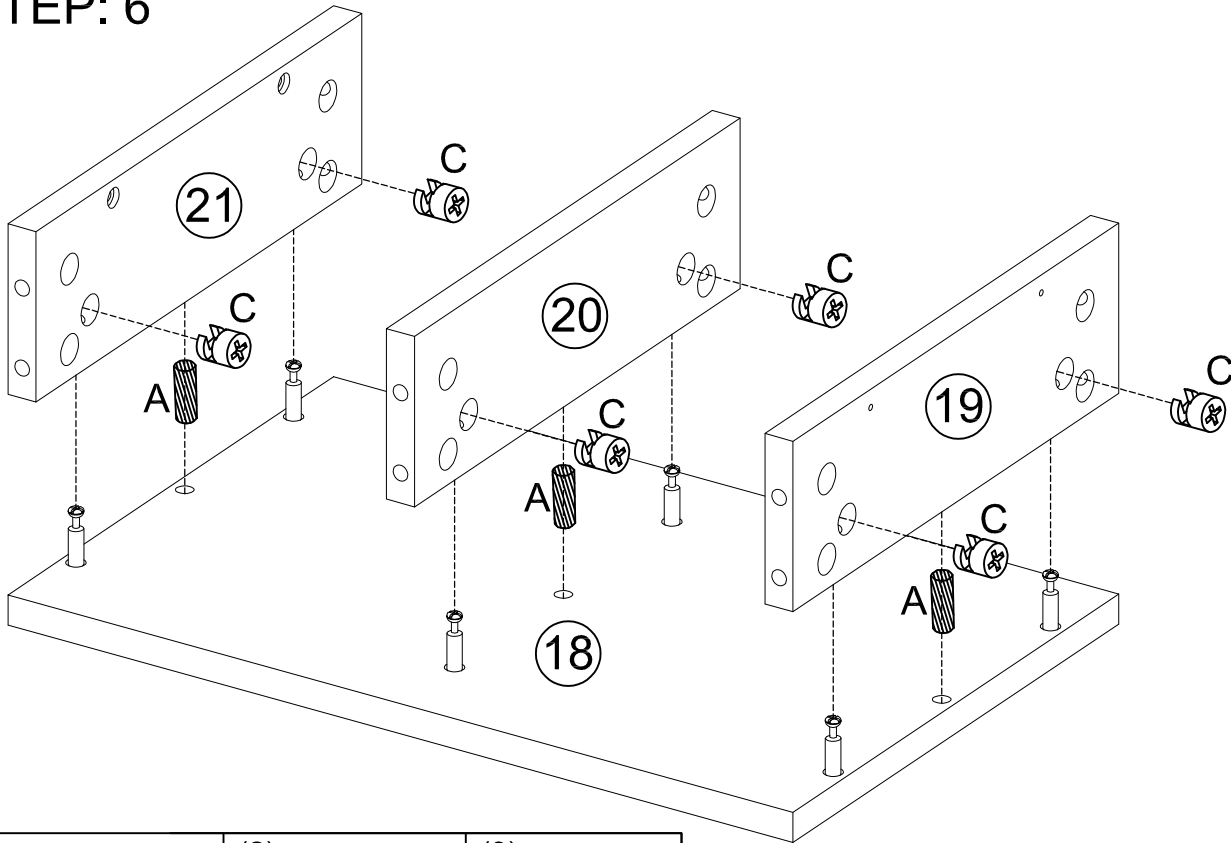
B




18PCS



STEP: 6




A

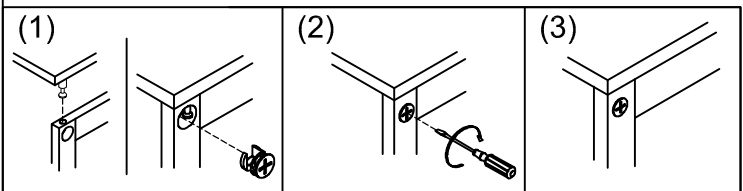


3PCS

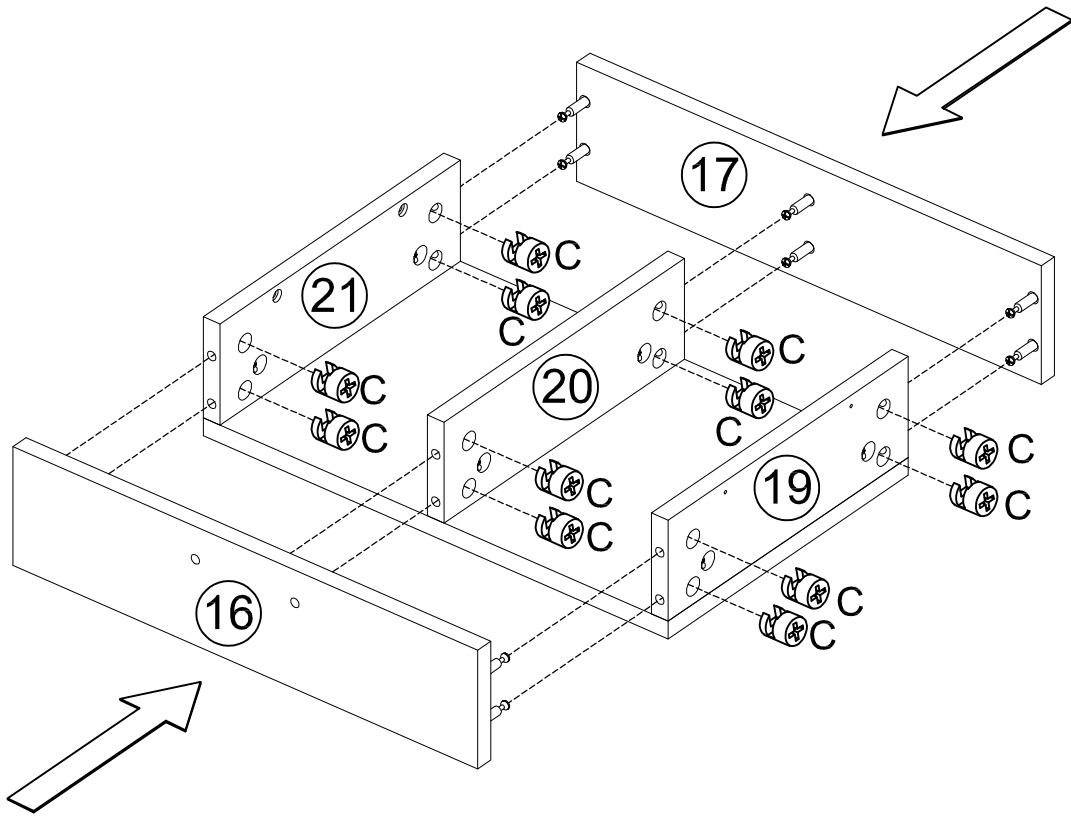
C



6PCS



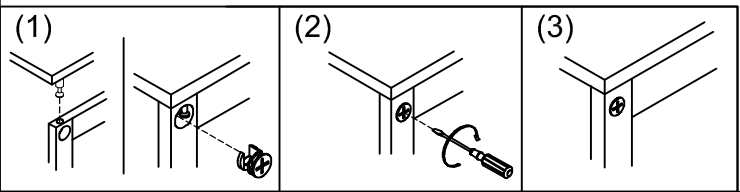
STEP: 7



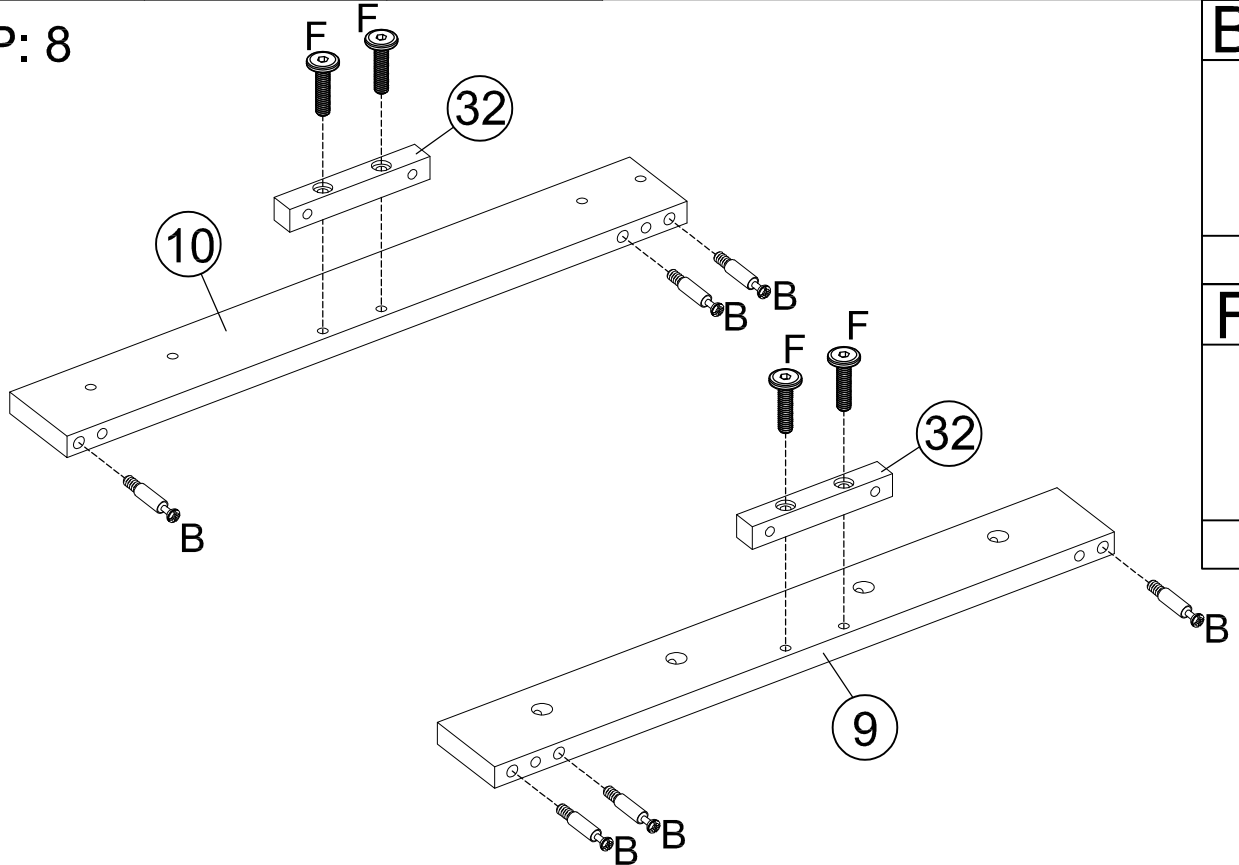
C



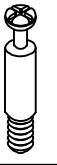
12PCS



STEP: 8

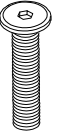


B

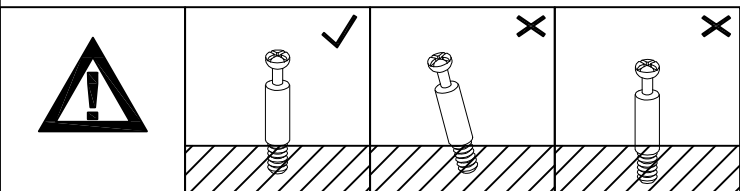


6PCS

F



4PCS

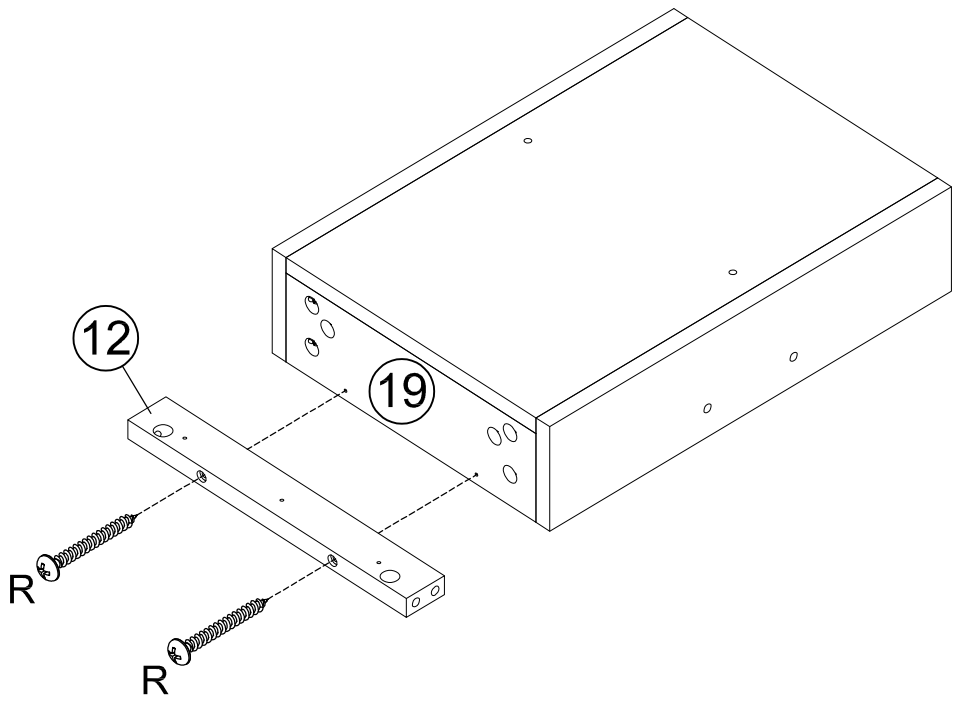


STEP: 9

R



2PCS

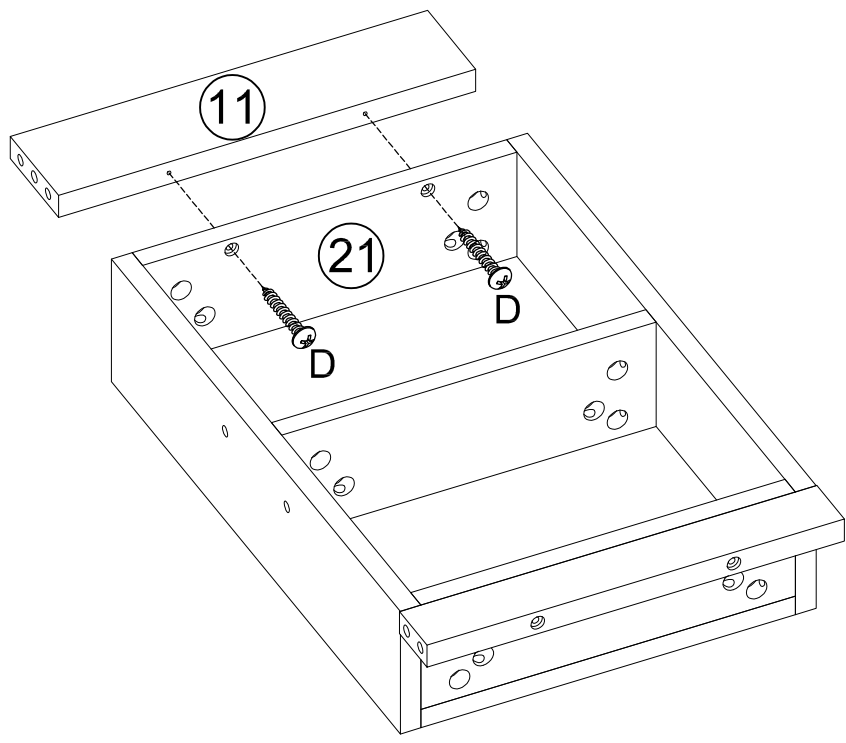


STEP: 10

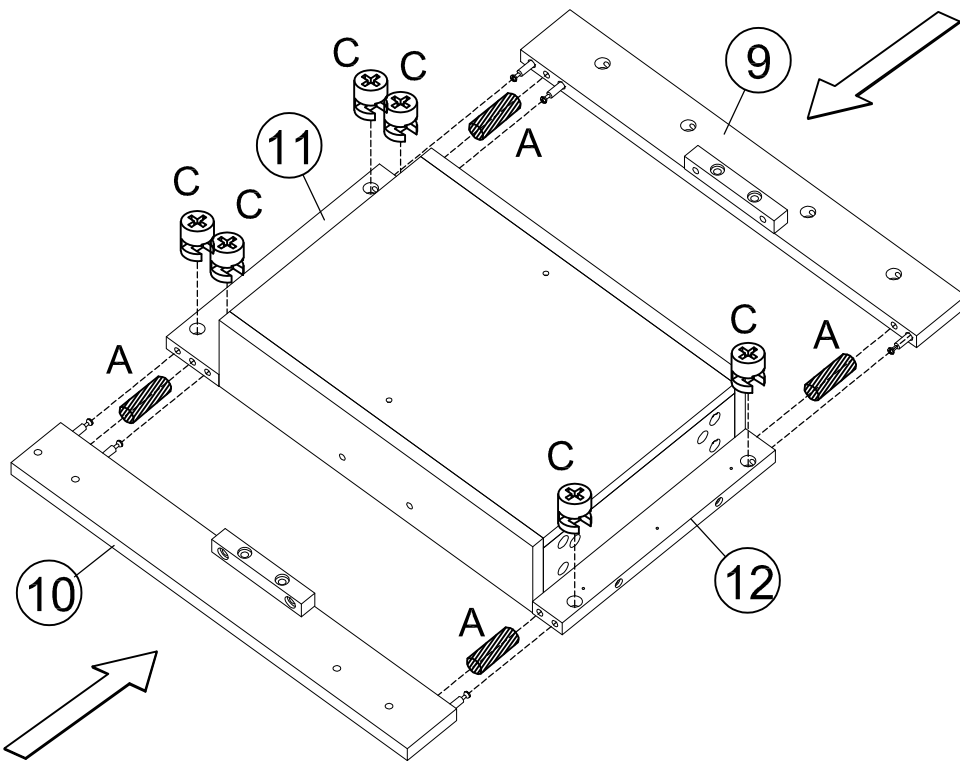
D





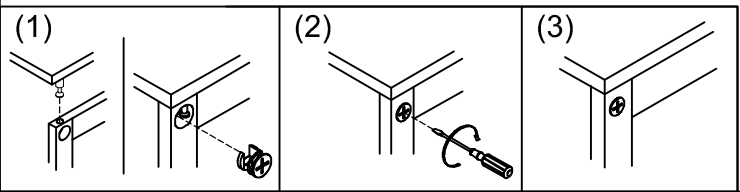
2PCS



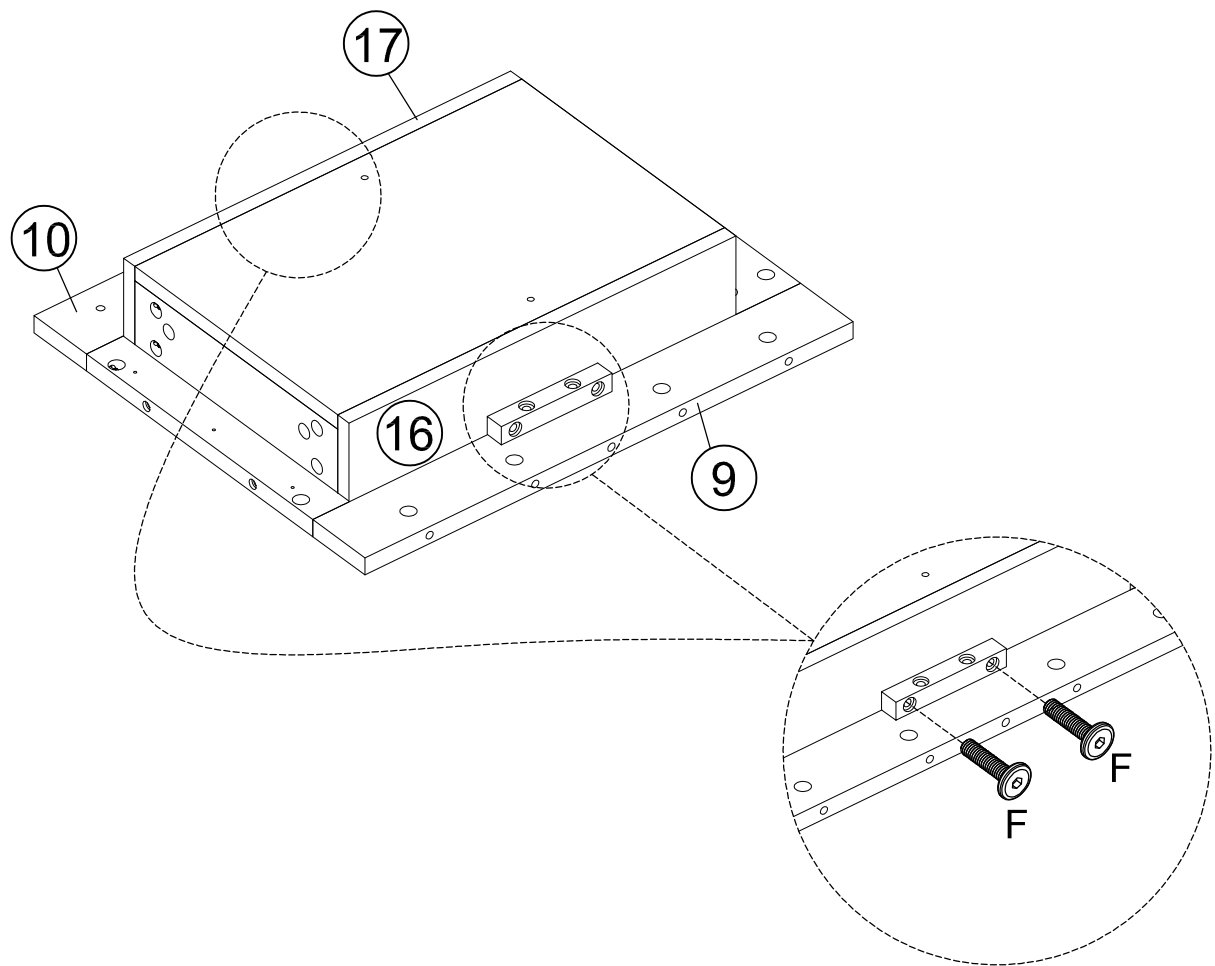
STEP: 11

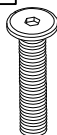


C

6PCS
A

4PCS

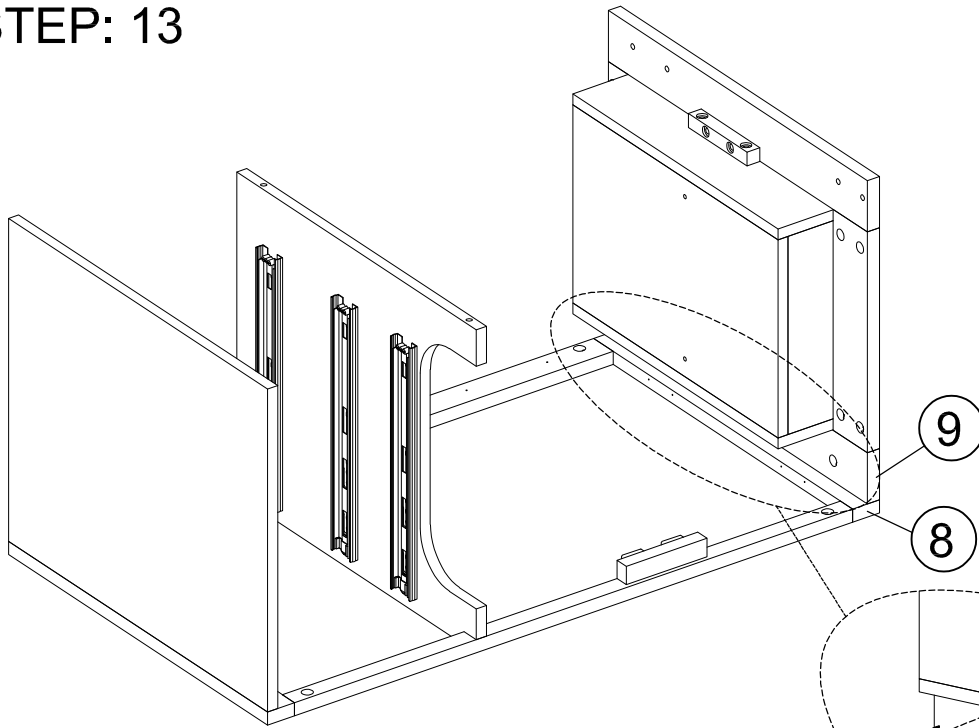


STEP: 12



F

4PCS

STEP: 13



C

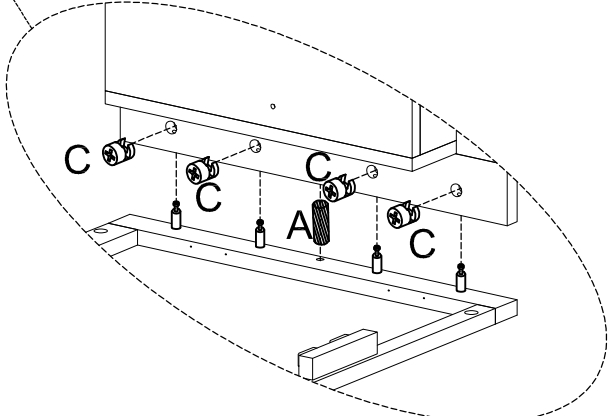
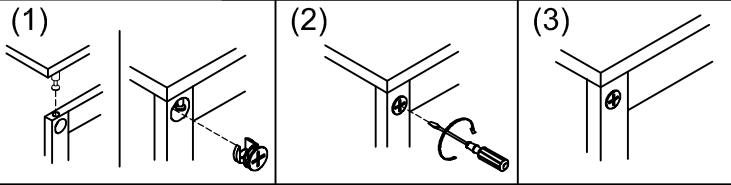


4PCS

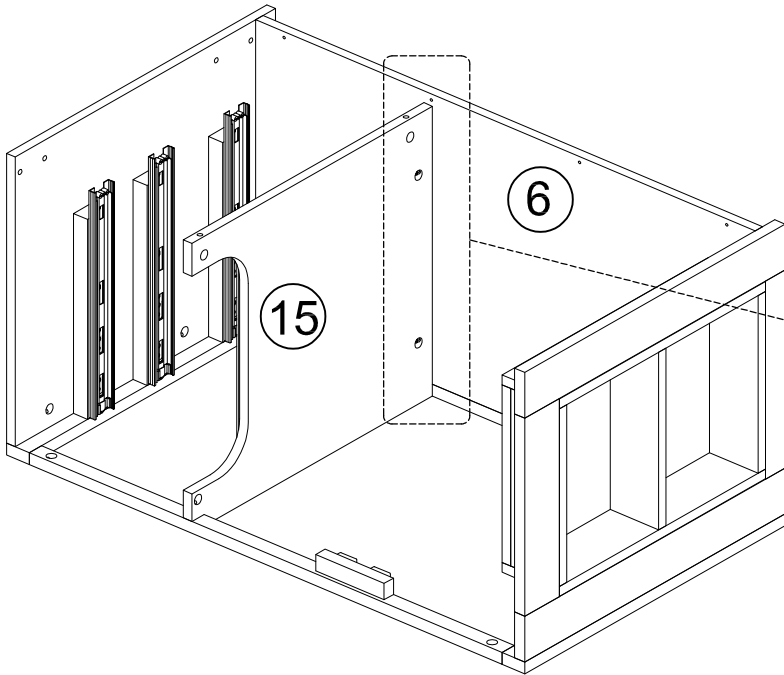
A



1PC



STEP: 14



A

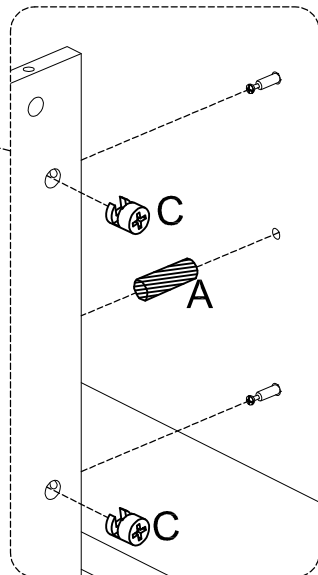
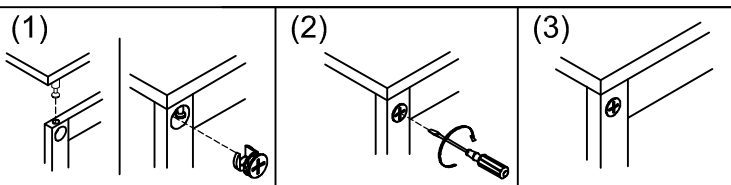


1PC

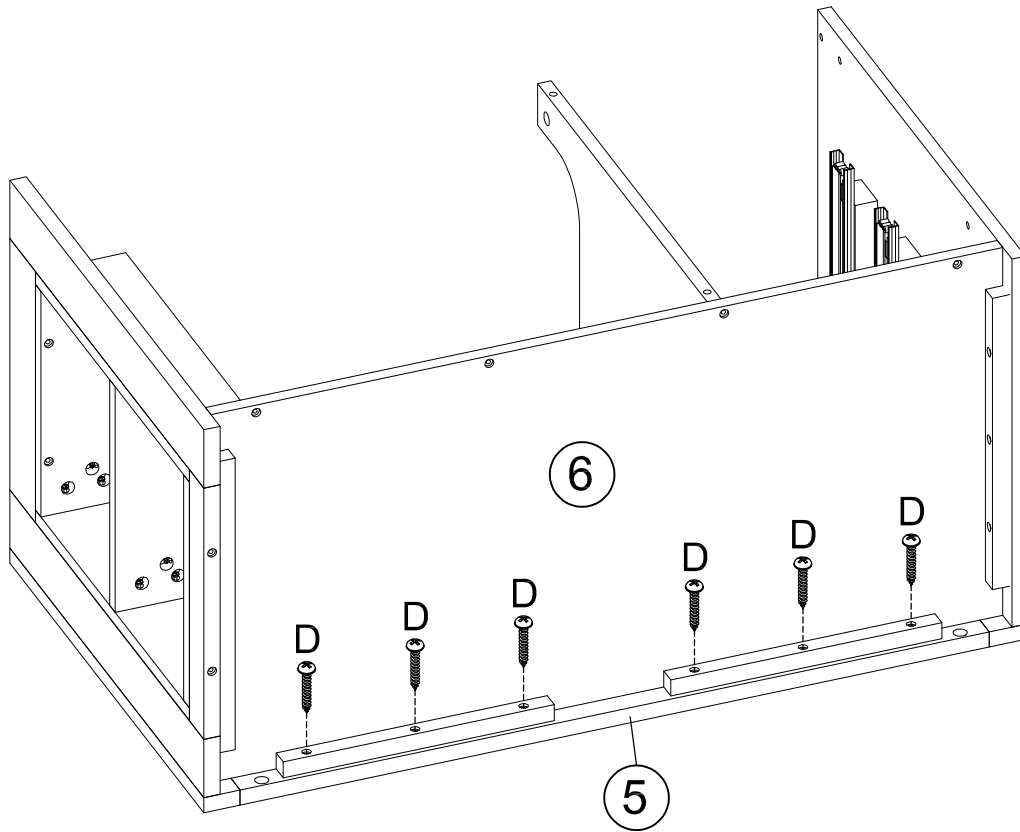
C



2PCS



STEP: 15

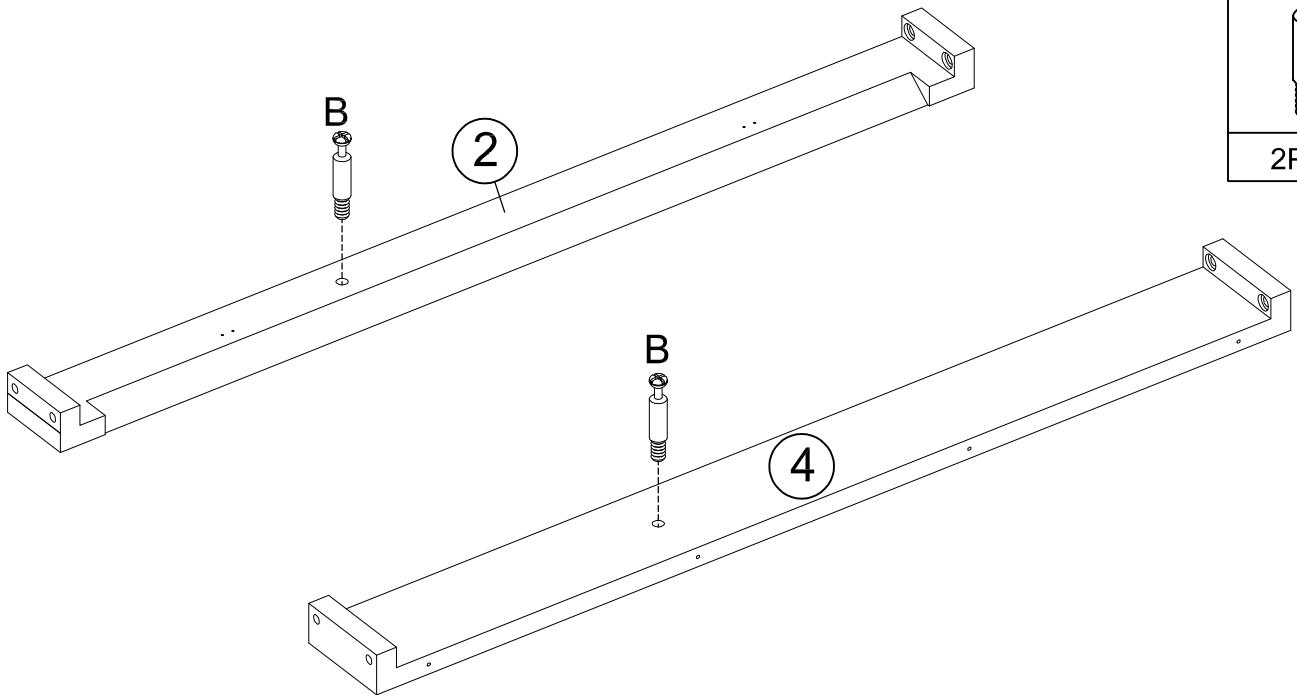


D



6PCS

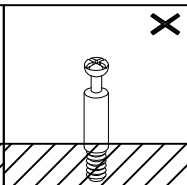
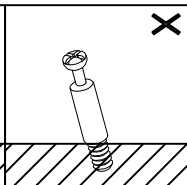
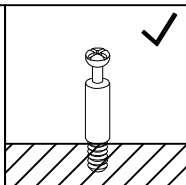
STEP: 16



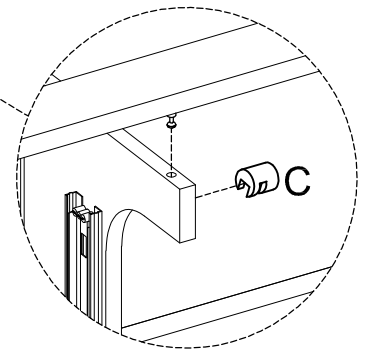
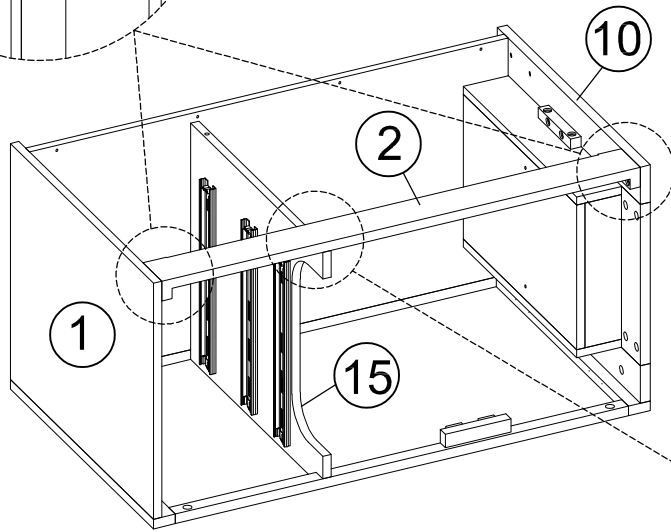
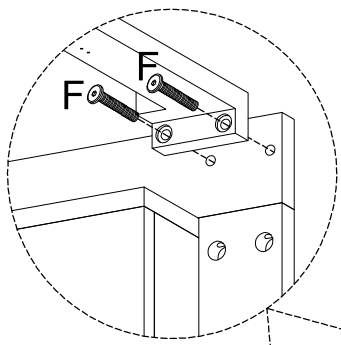
B



2PCS



STEP: 17

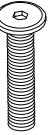


C

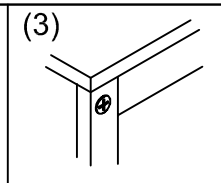
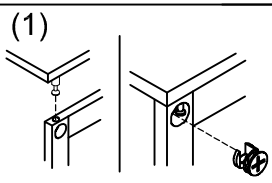


1PC

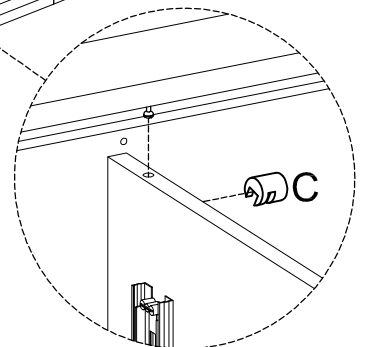
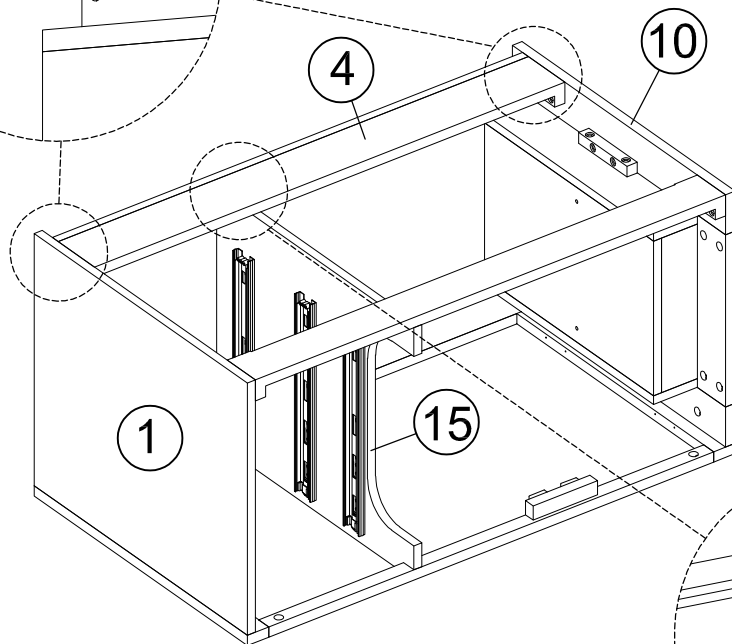
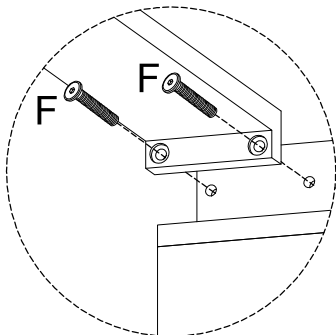
F



4PCS



STEP: 18

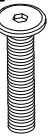


C

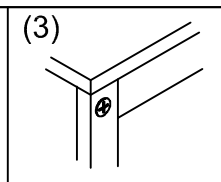
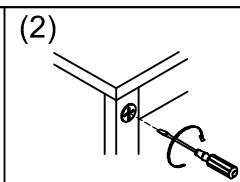
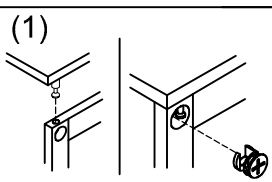


1PC

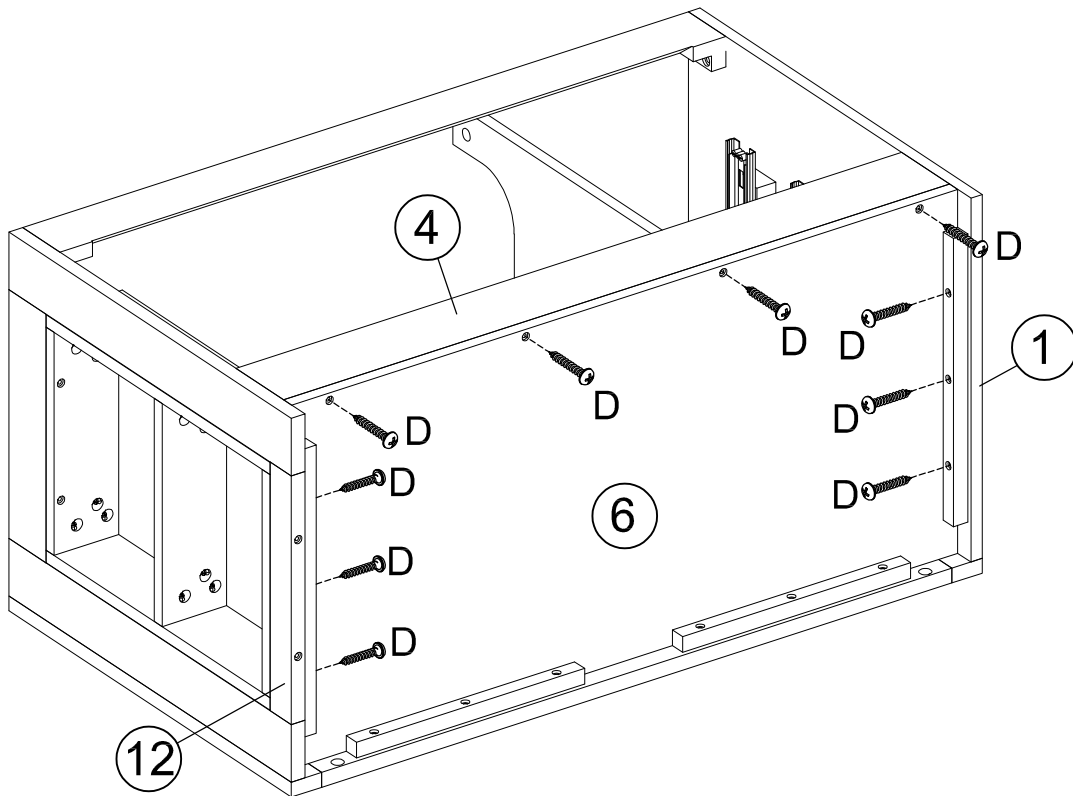
F

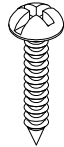


4PCS

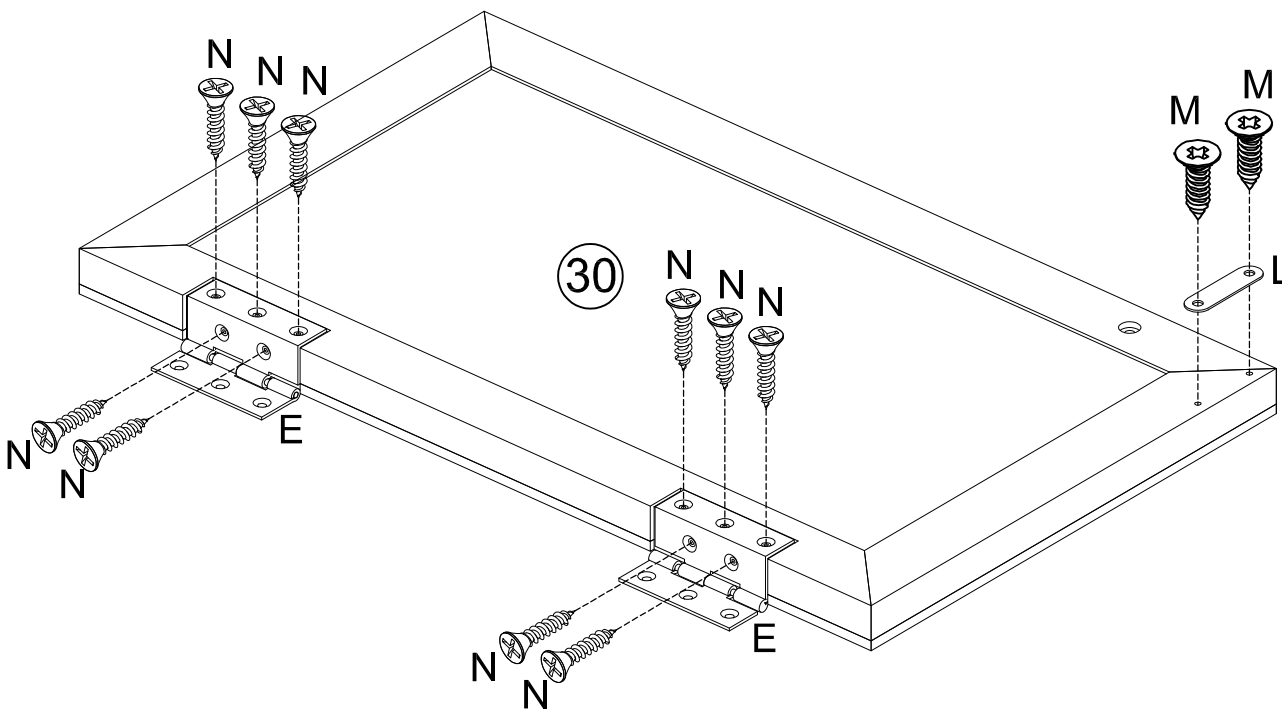


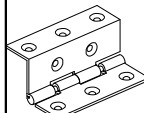



STEP: 19



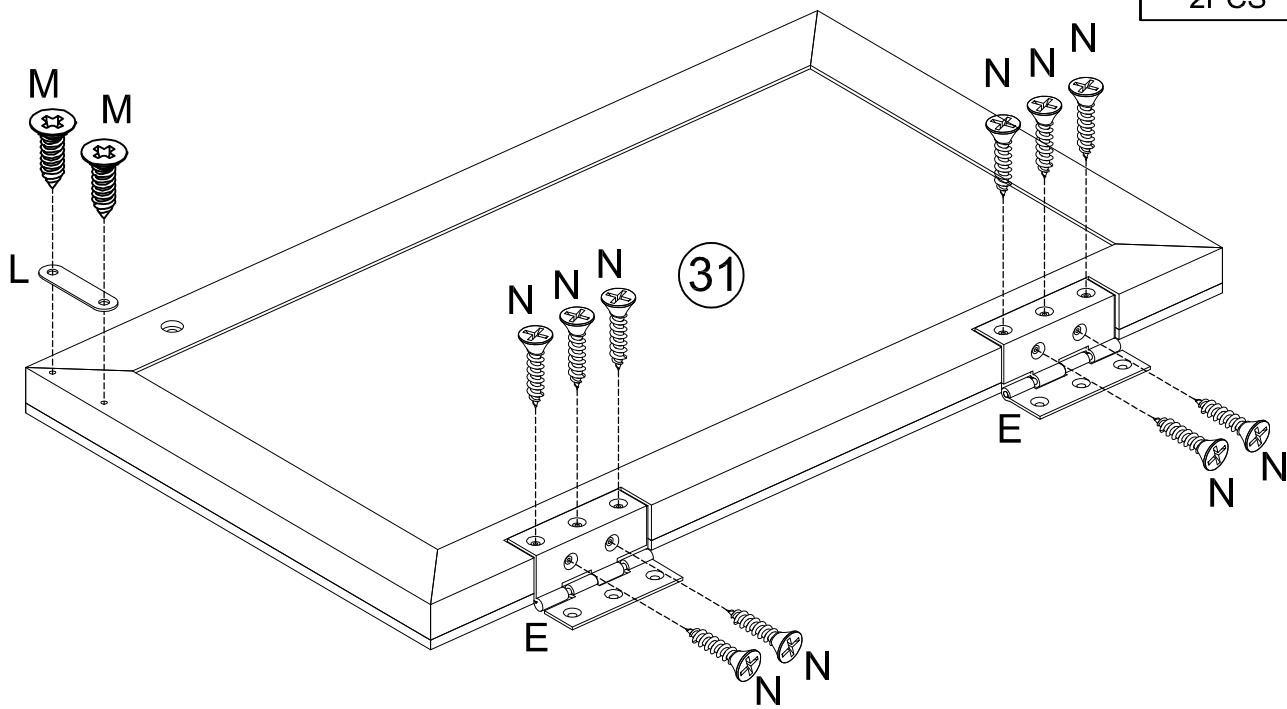
D

10PCS

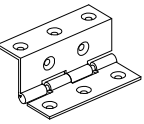
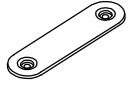


STEP: 20



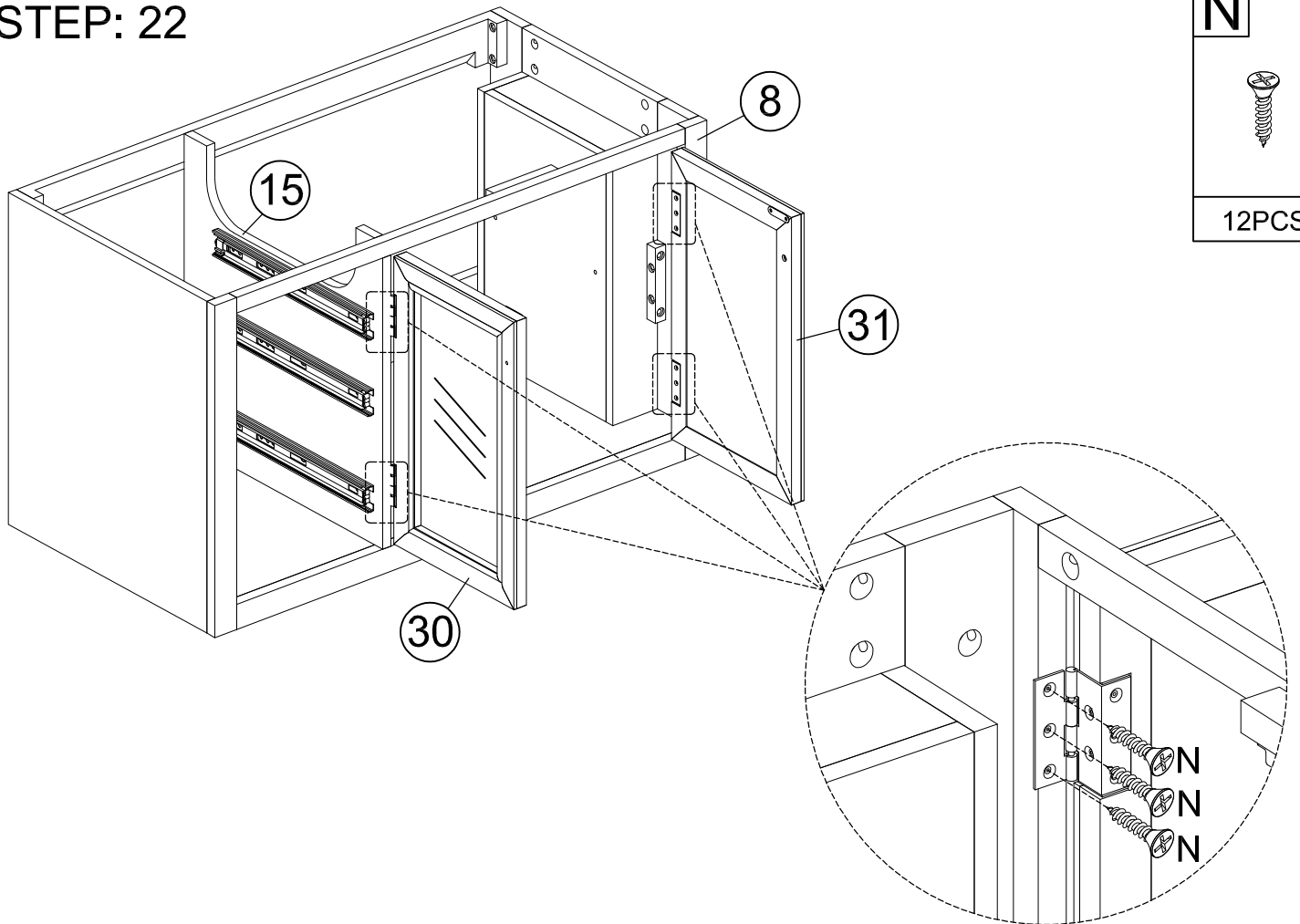
E	L
	
2PCS	1PC
M	
	
2PCS	
N	
	
10PCS	


STEP: 21



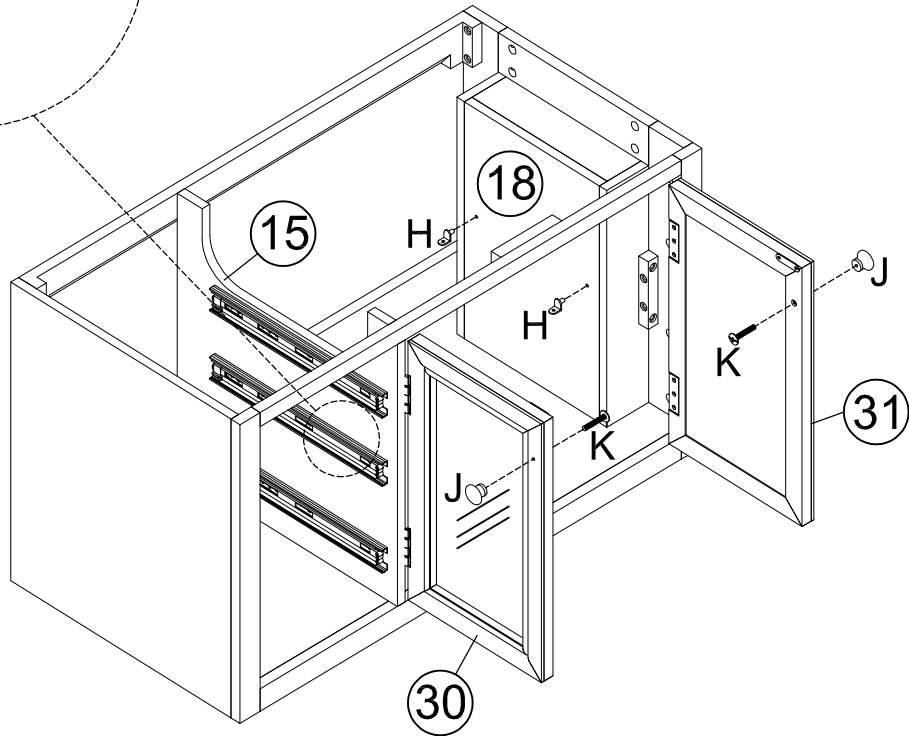
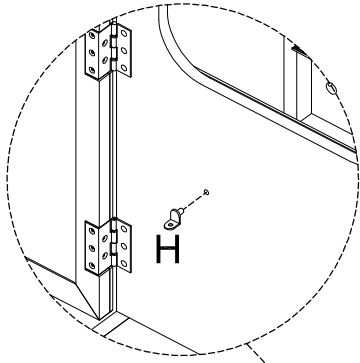
E	L
	
2PCS	1PC
M	
	
2PCS	
N	
	
10PCS	

STEP: 22

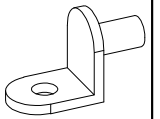


N

12PCS

STEP: 23

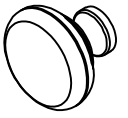


H



3PCS

J



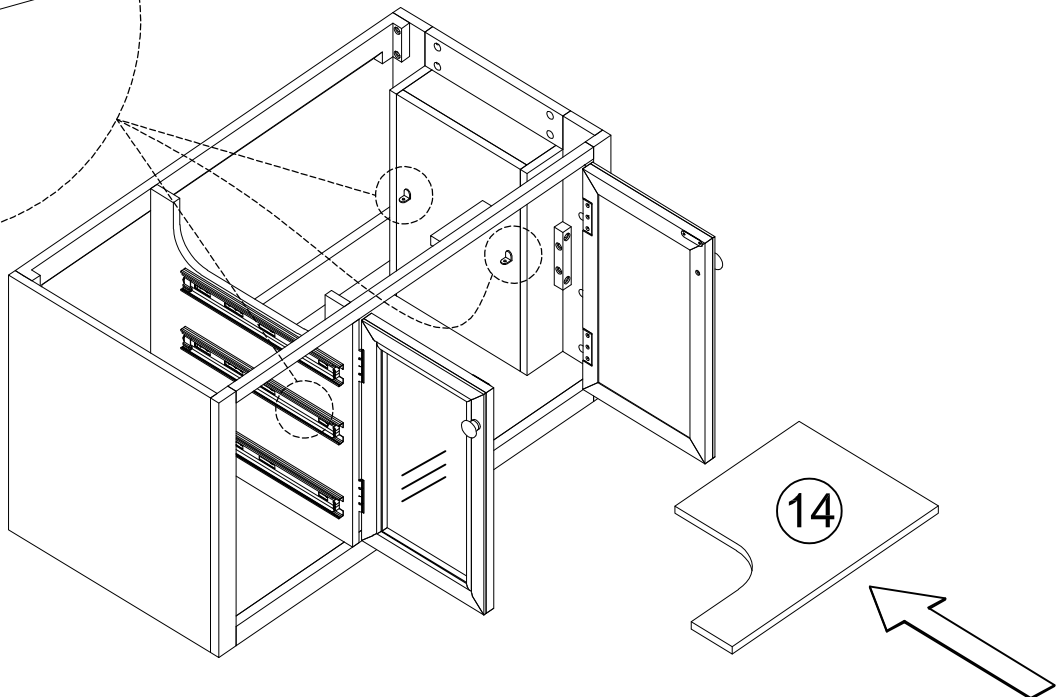
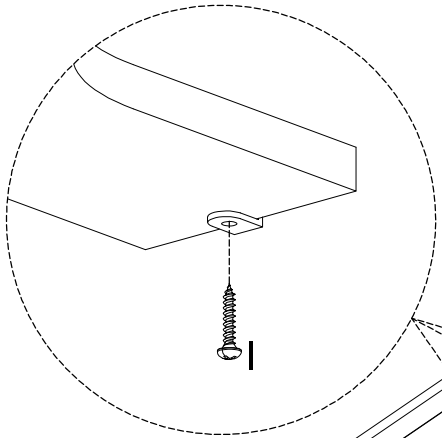
2PCS

K



2PCS

STEP: 24

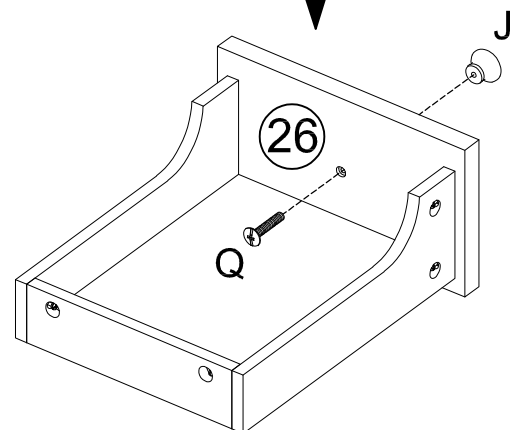
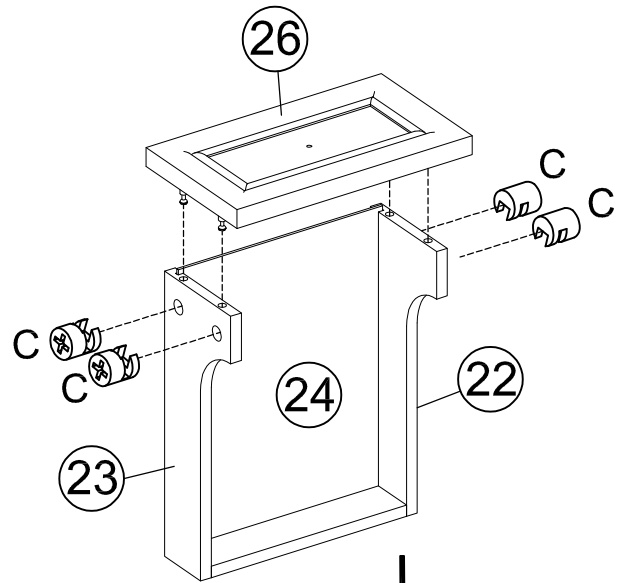
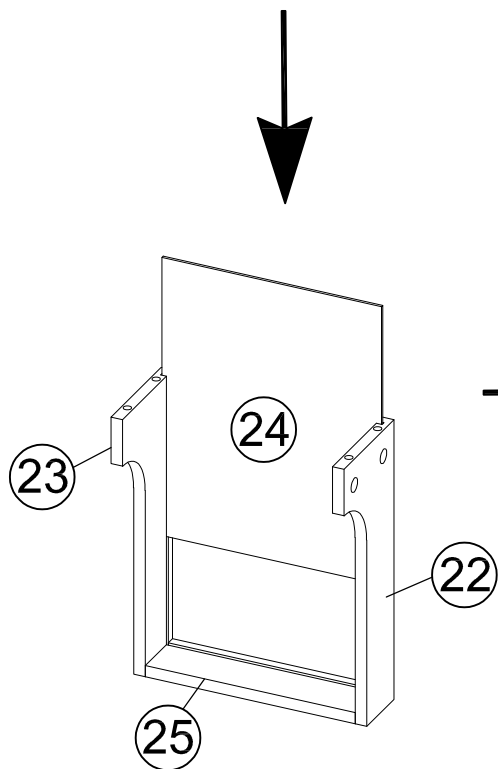
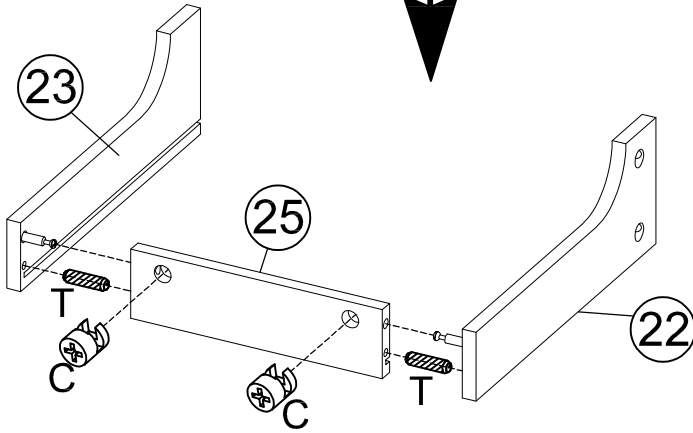
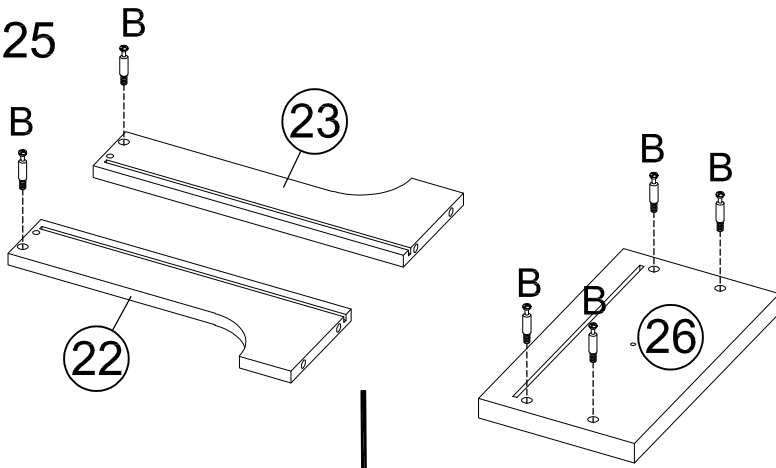



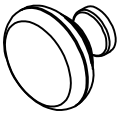

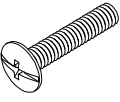

I

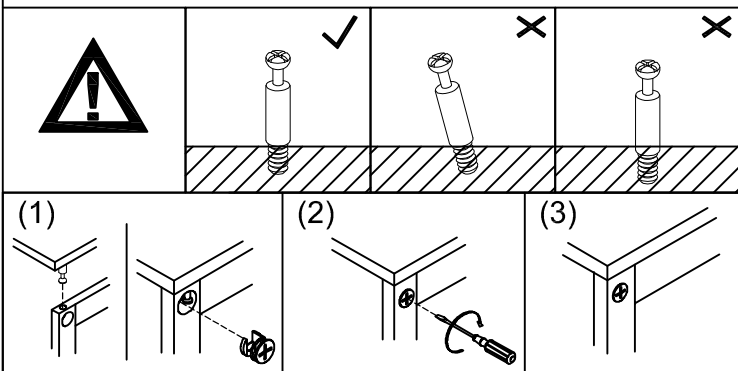


3pcs

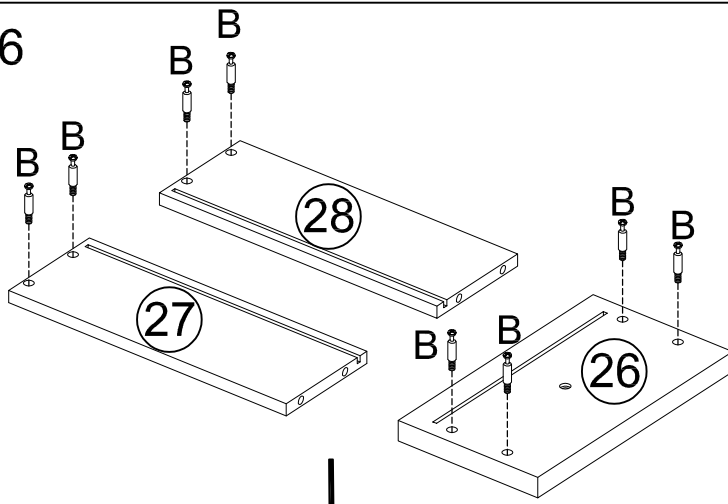
STEP: 25

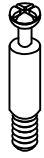
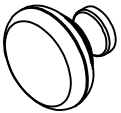

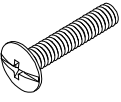


B 	J 
6PCS	1PC
C 	Q 
6PCS	1PC
	T 
	2PCS

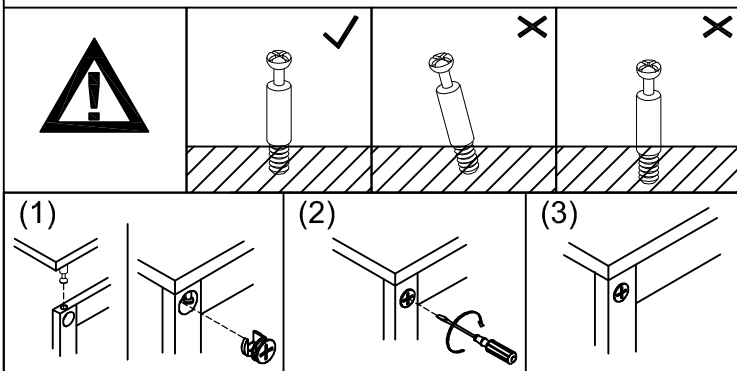
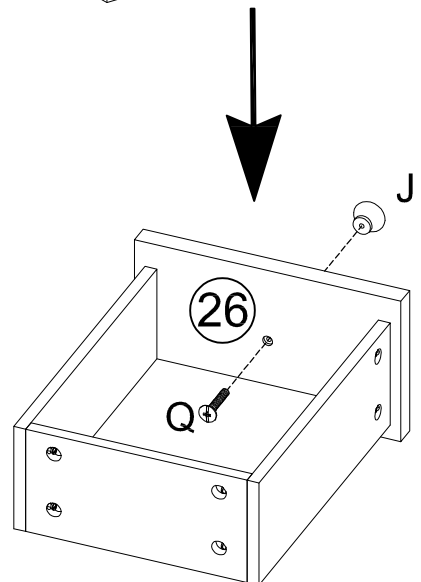
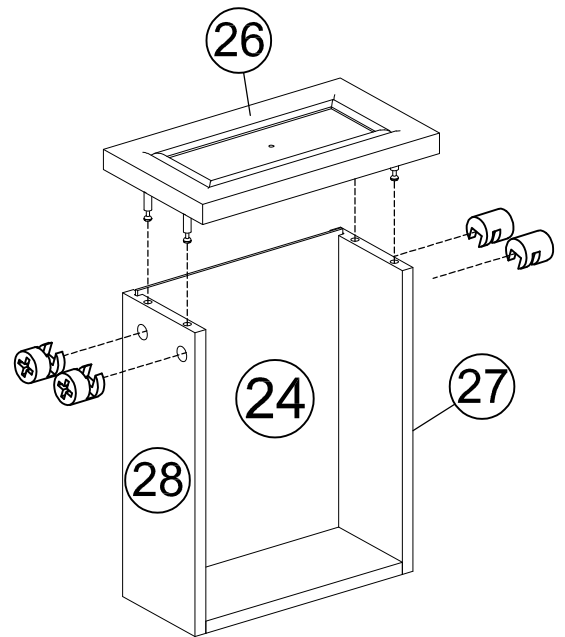
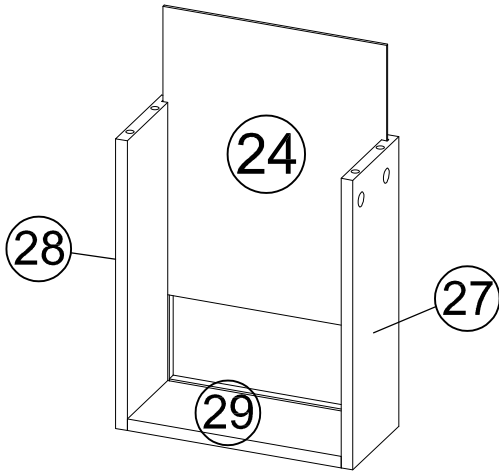
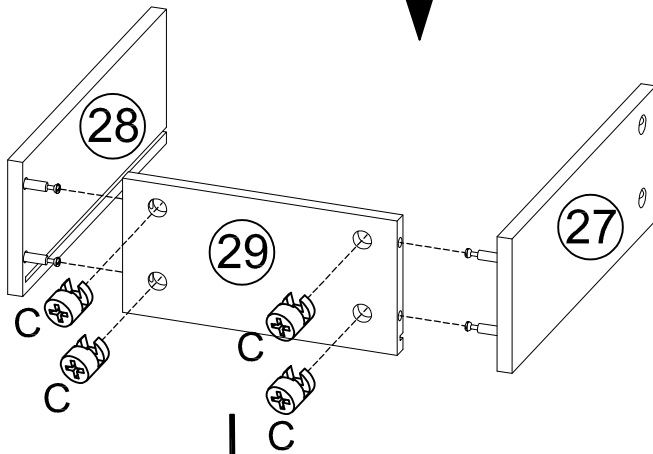


STEP: 26

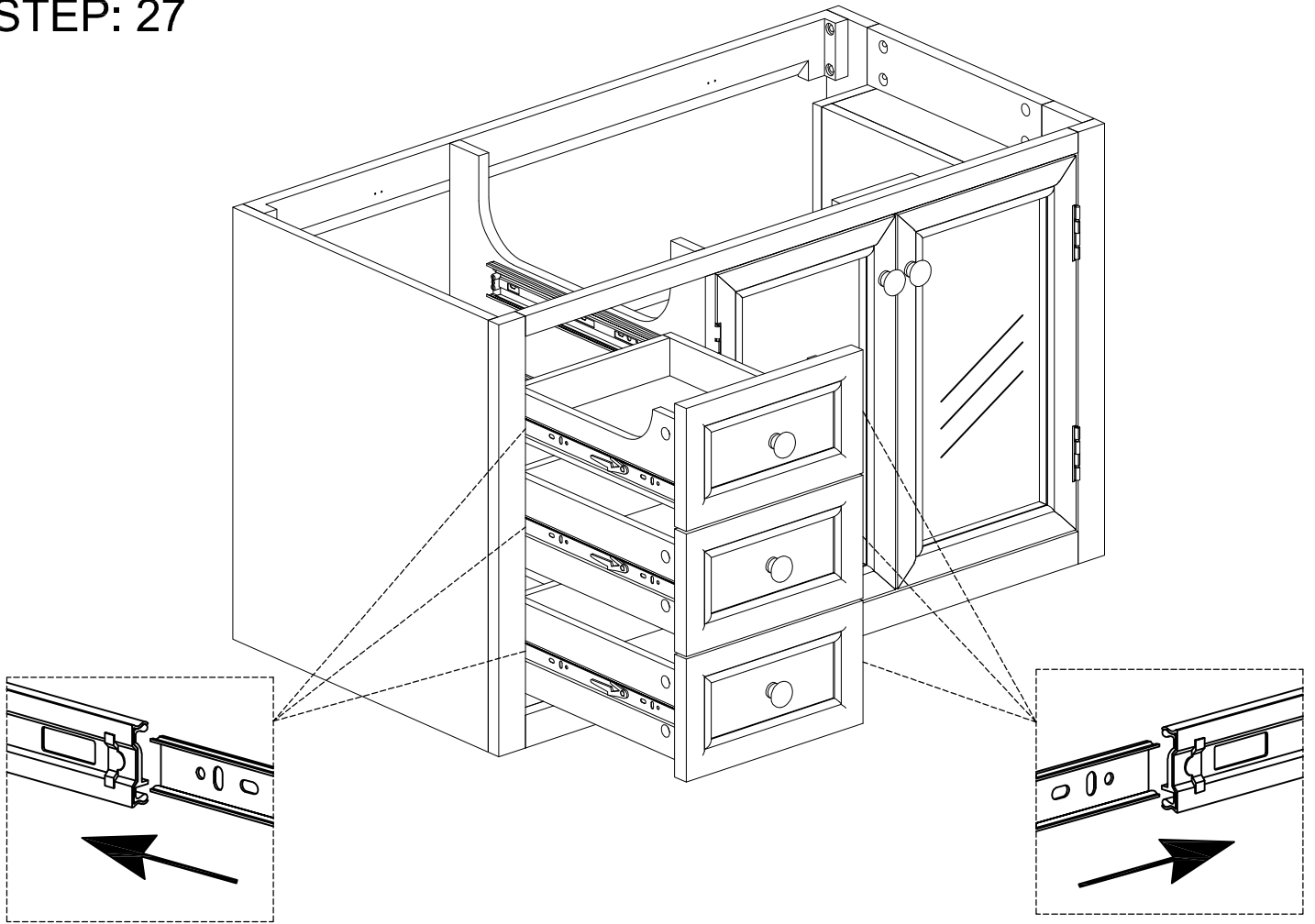


B	J
	
16PCS	2PCS
C	Q
	
16PCS	2PCS

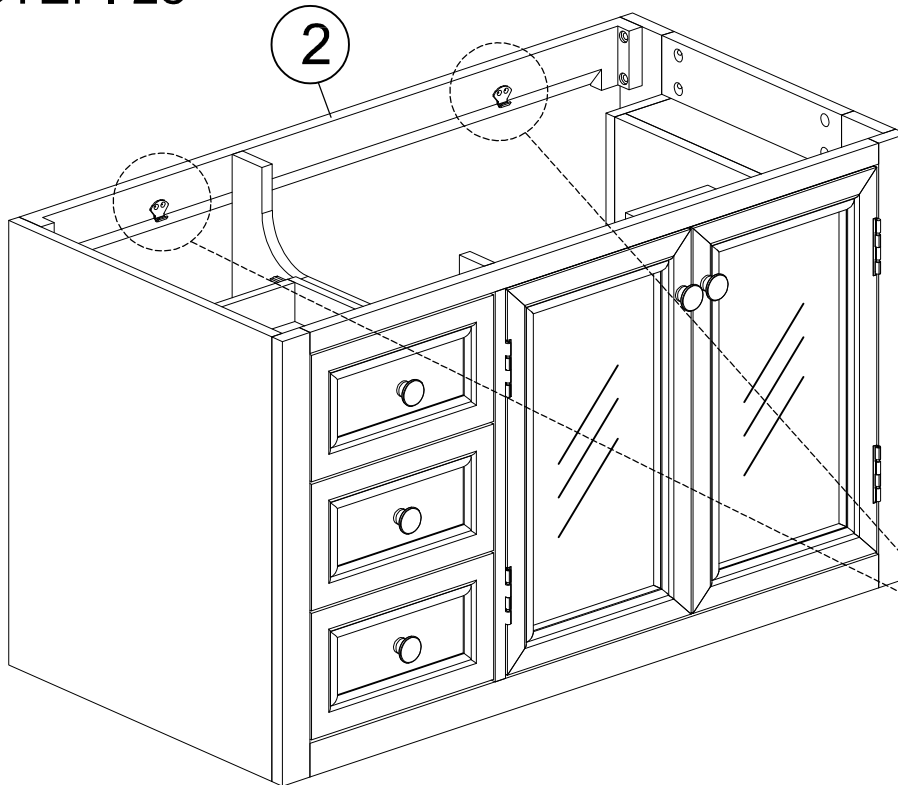
X2


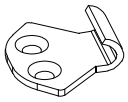


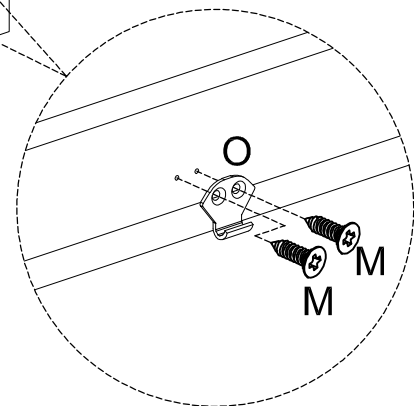
STEP: 27



STEP: 28



- M**

4PCS
- O**

2PCS



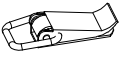
STEP: 29

M

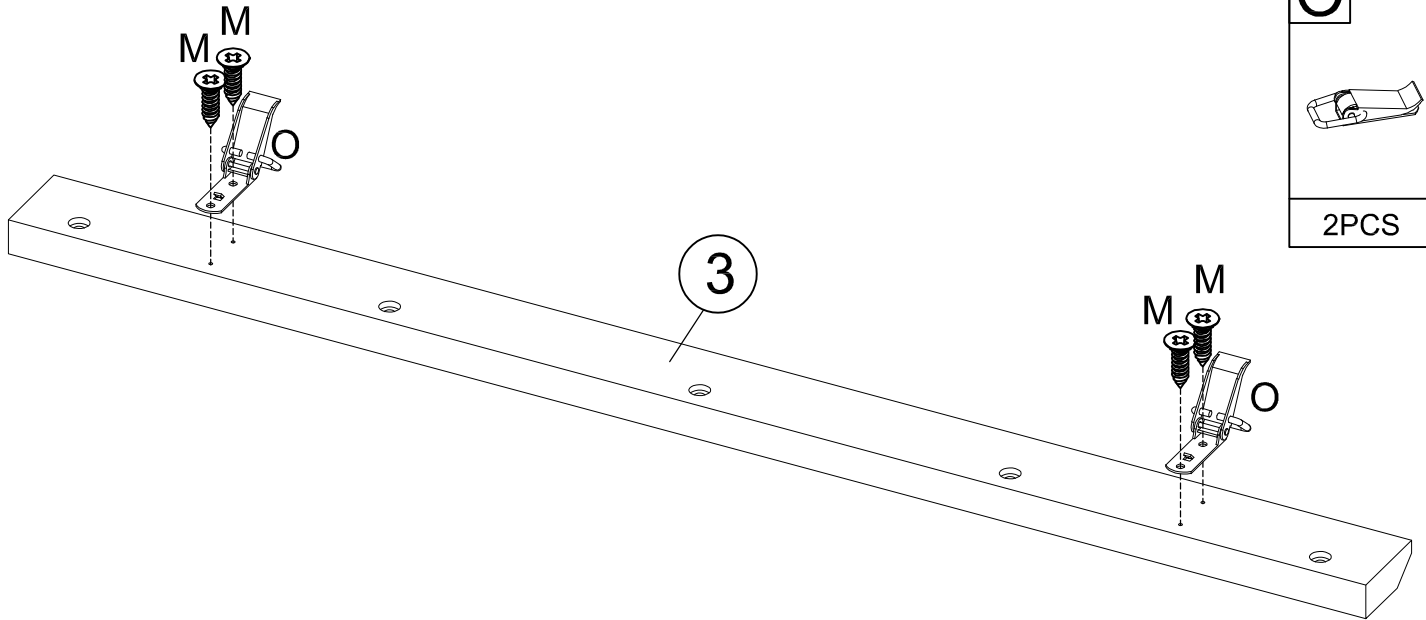


4PCS

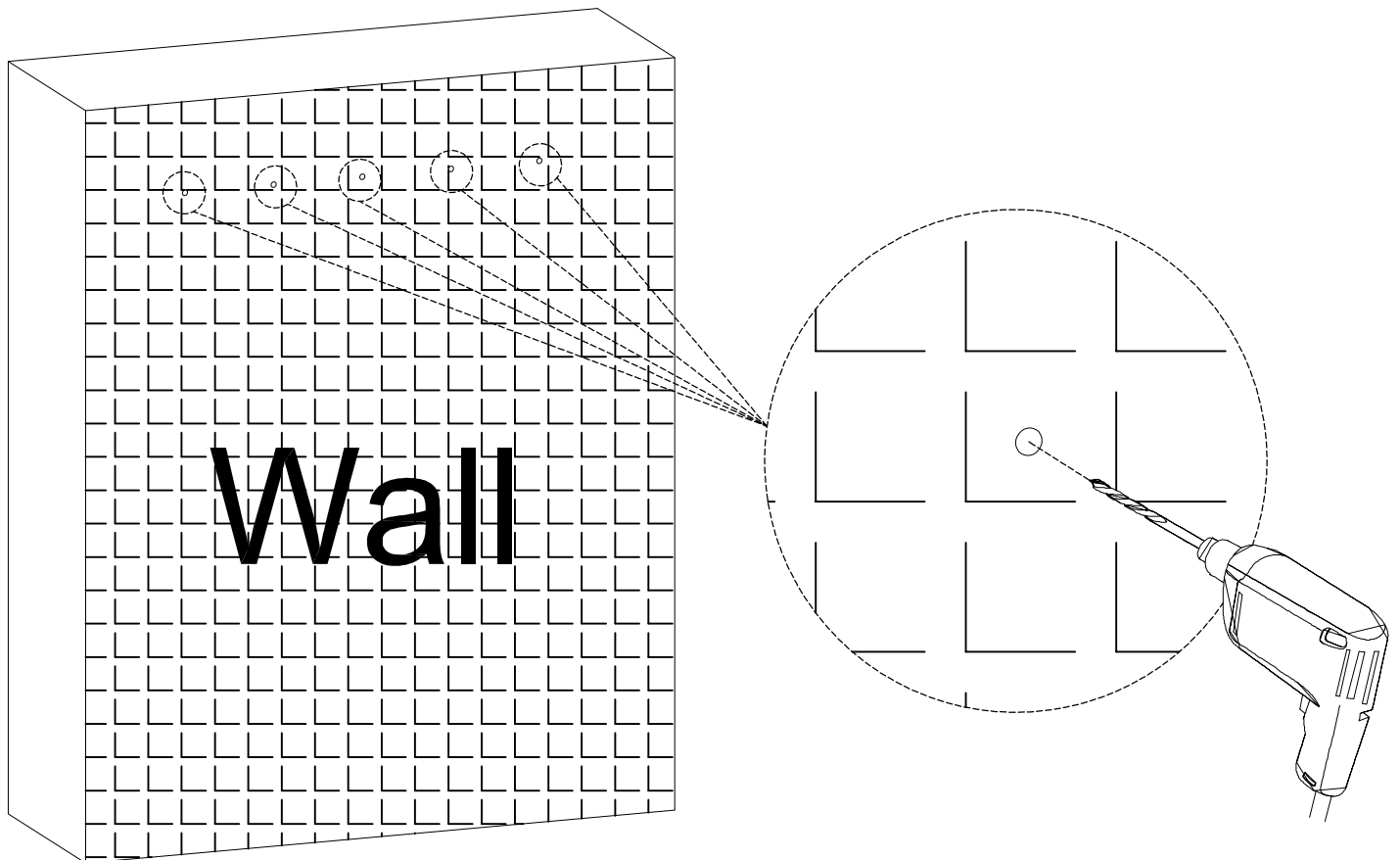
O



2PCS



STEP: 30

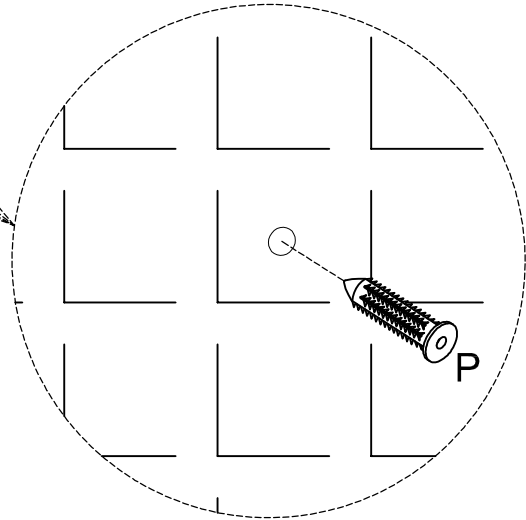
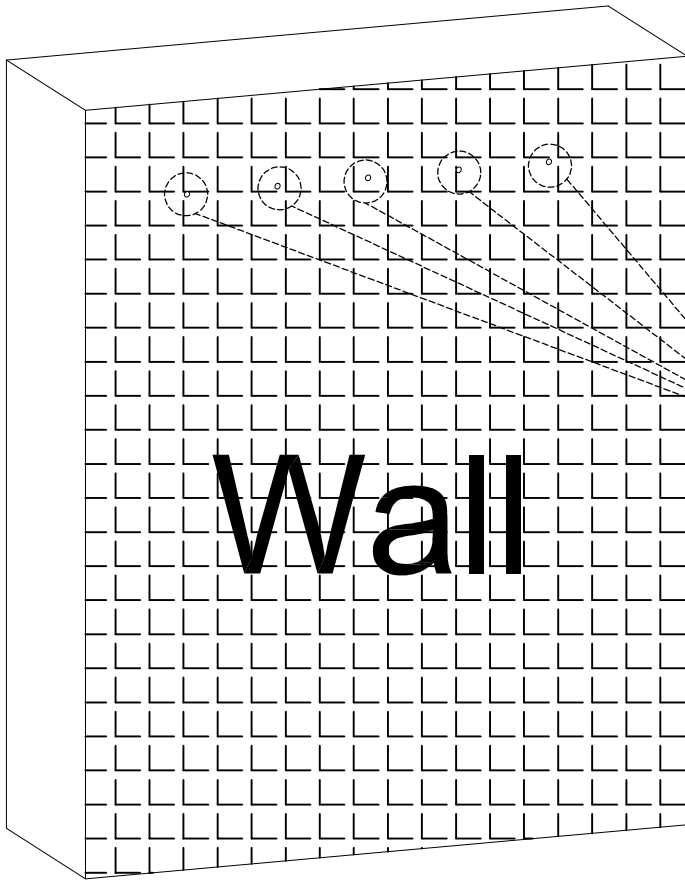


STEP: 31

P



5PCS

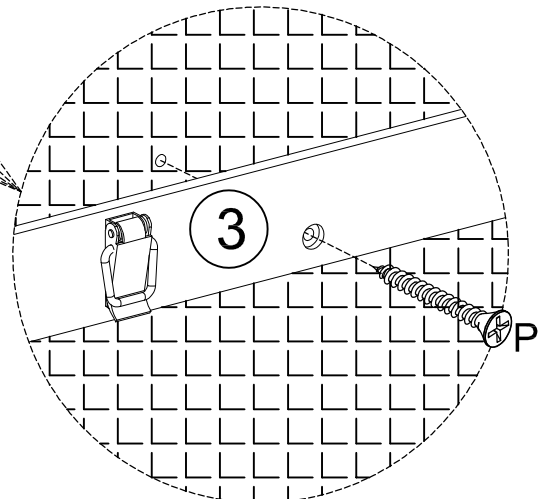
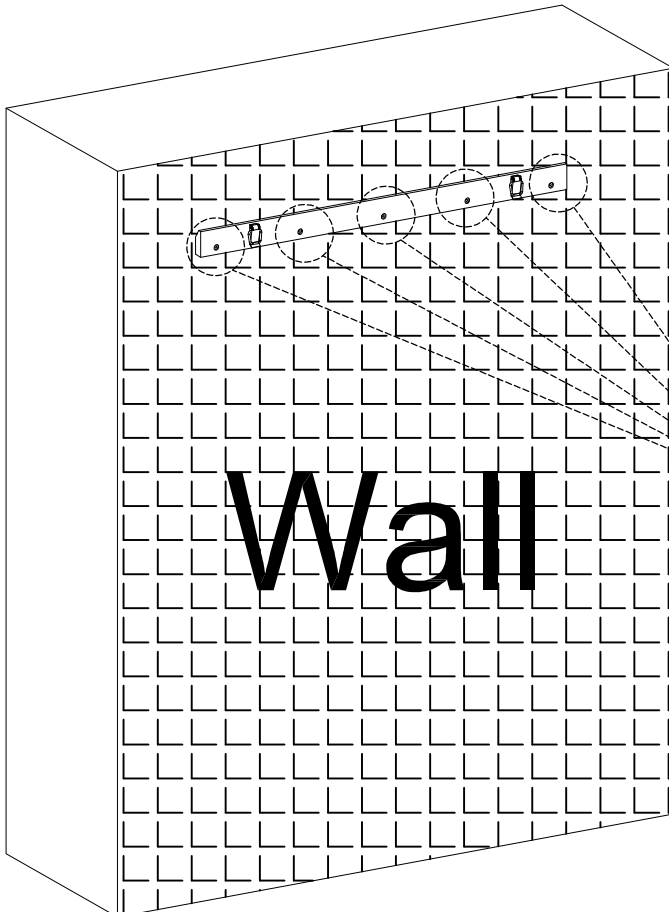


STEP: 32

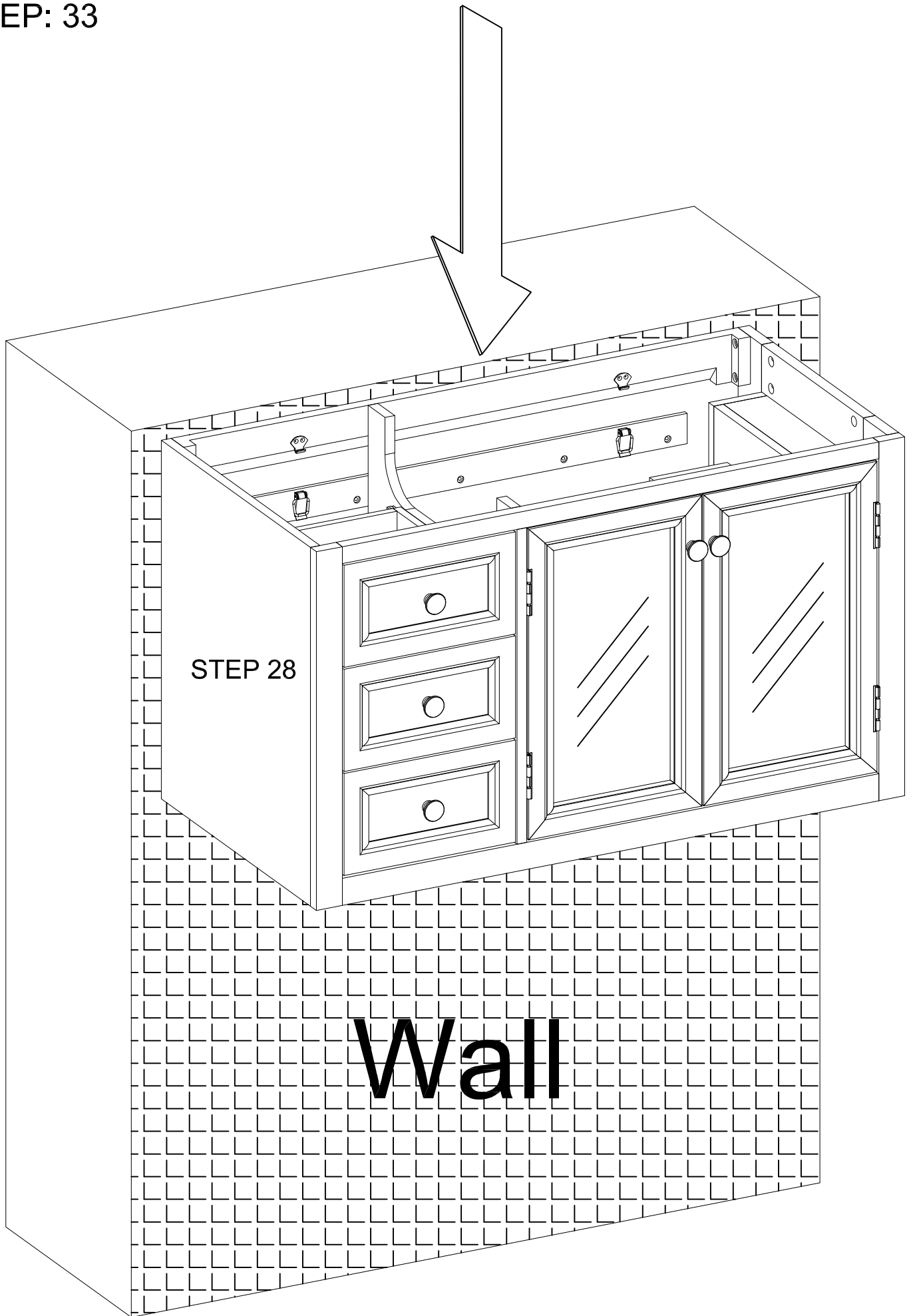
P



5PCS



STEP: 33

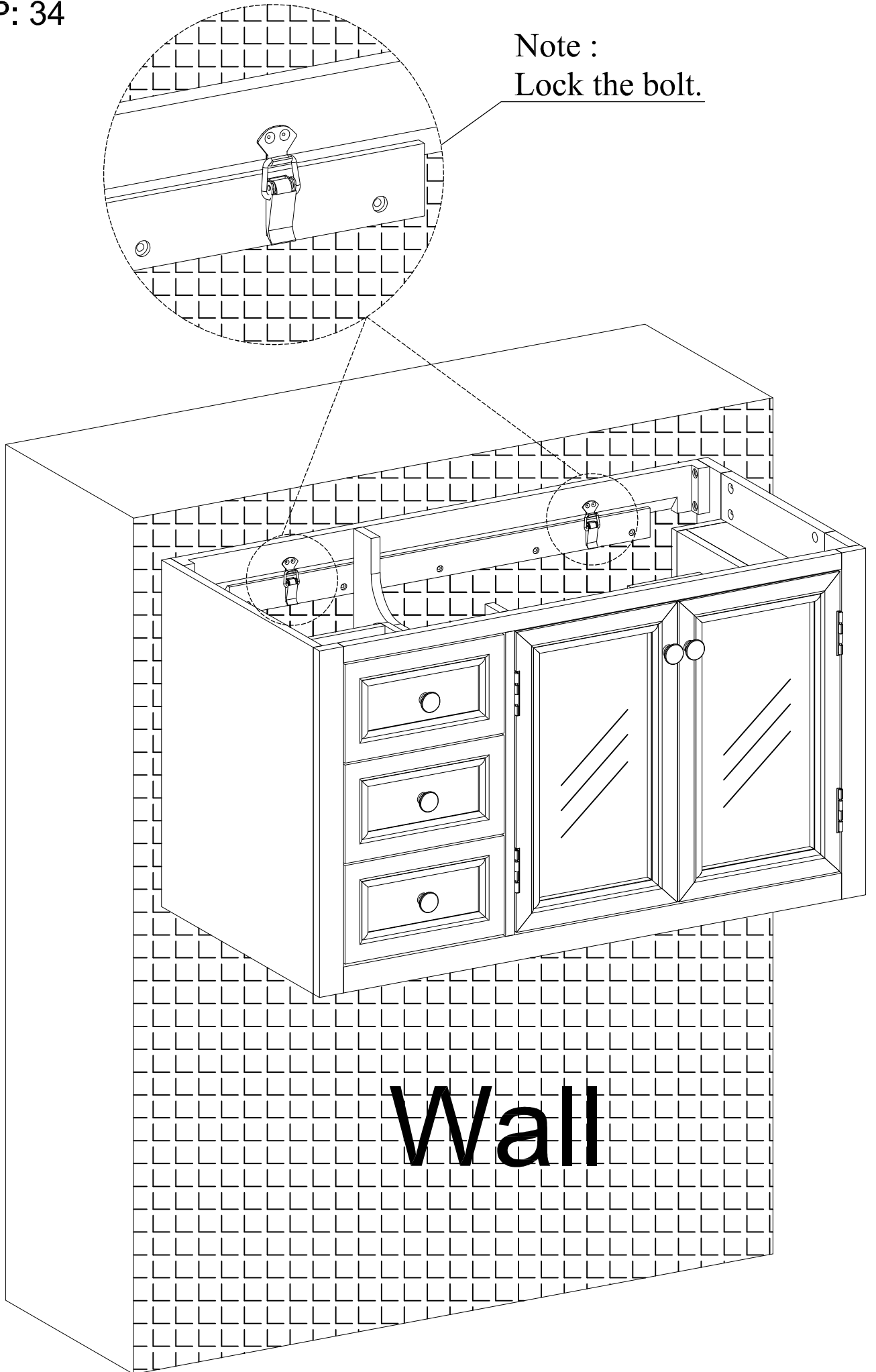


STEP 28

Wall

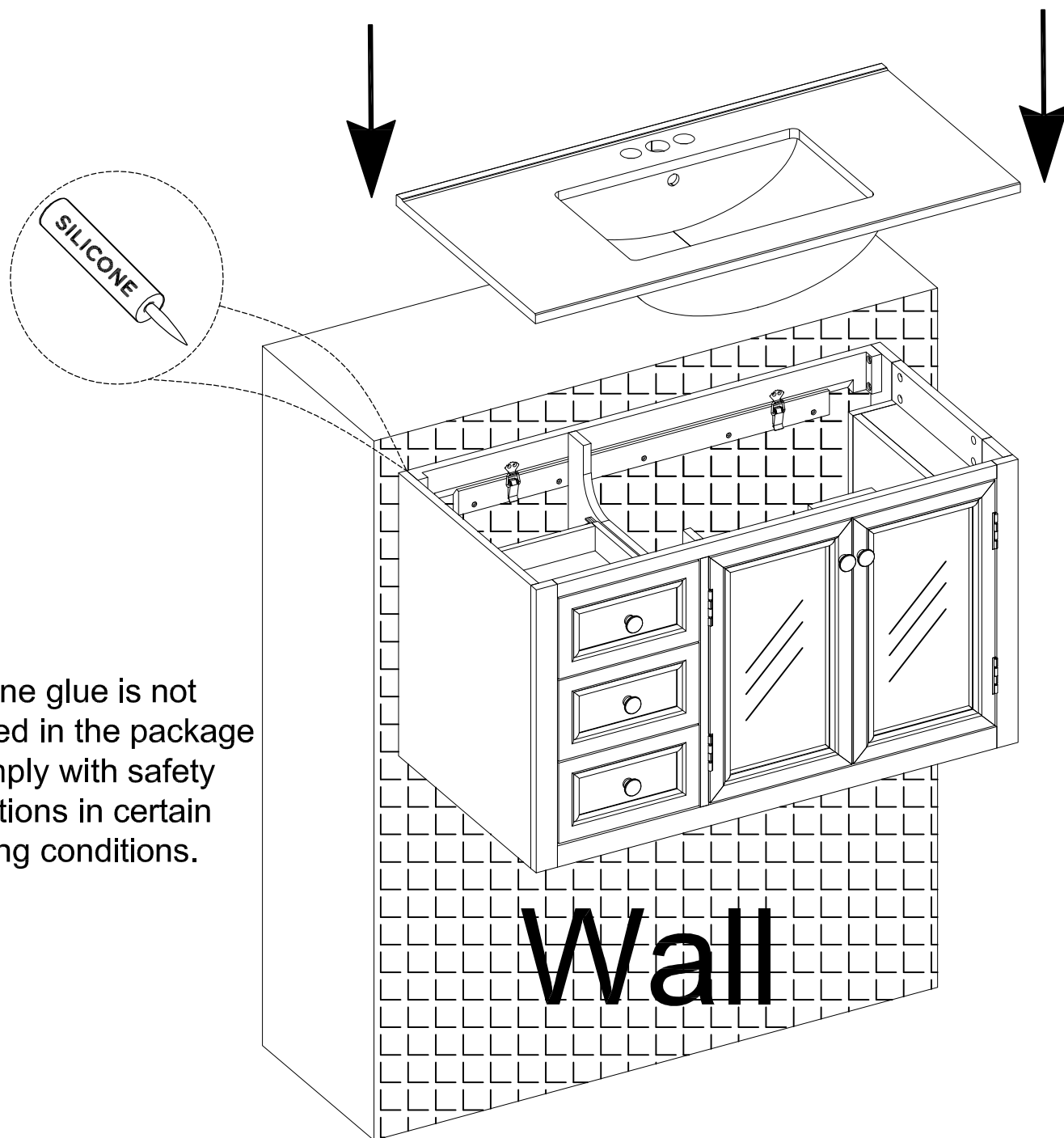
STEP: 34

Note :
Lock the bolt.



STEP: 35

Install the sink on the cabinet with glue.
Let stand for 24 hours



*Silicone glue is not included in the package to comply with safety regulations in certain shipping conditions.

STEP: 36

