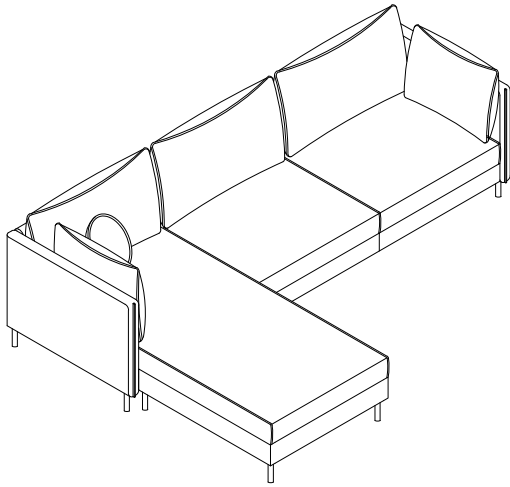
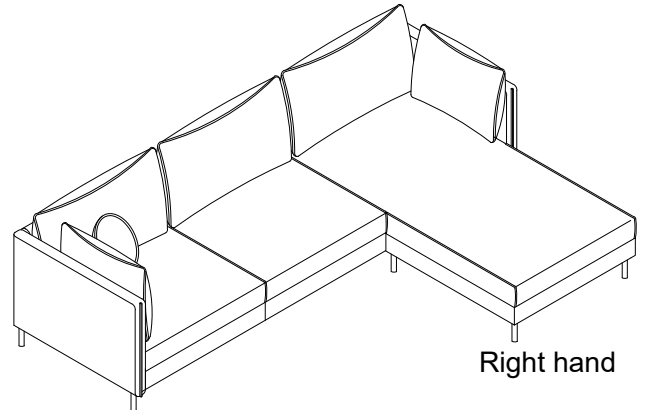


# ASSEMBLY INSTRUCTION



Left hand



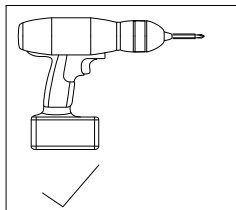
Right hand

## IMPORTANT NOTE

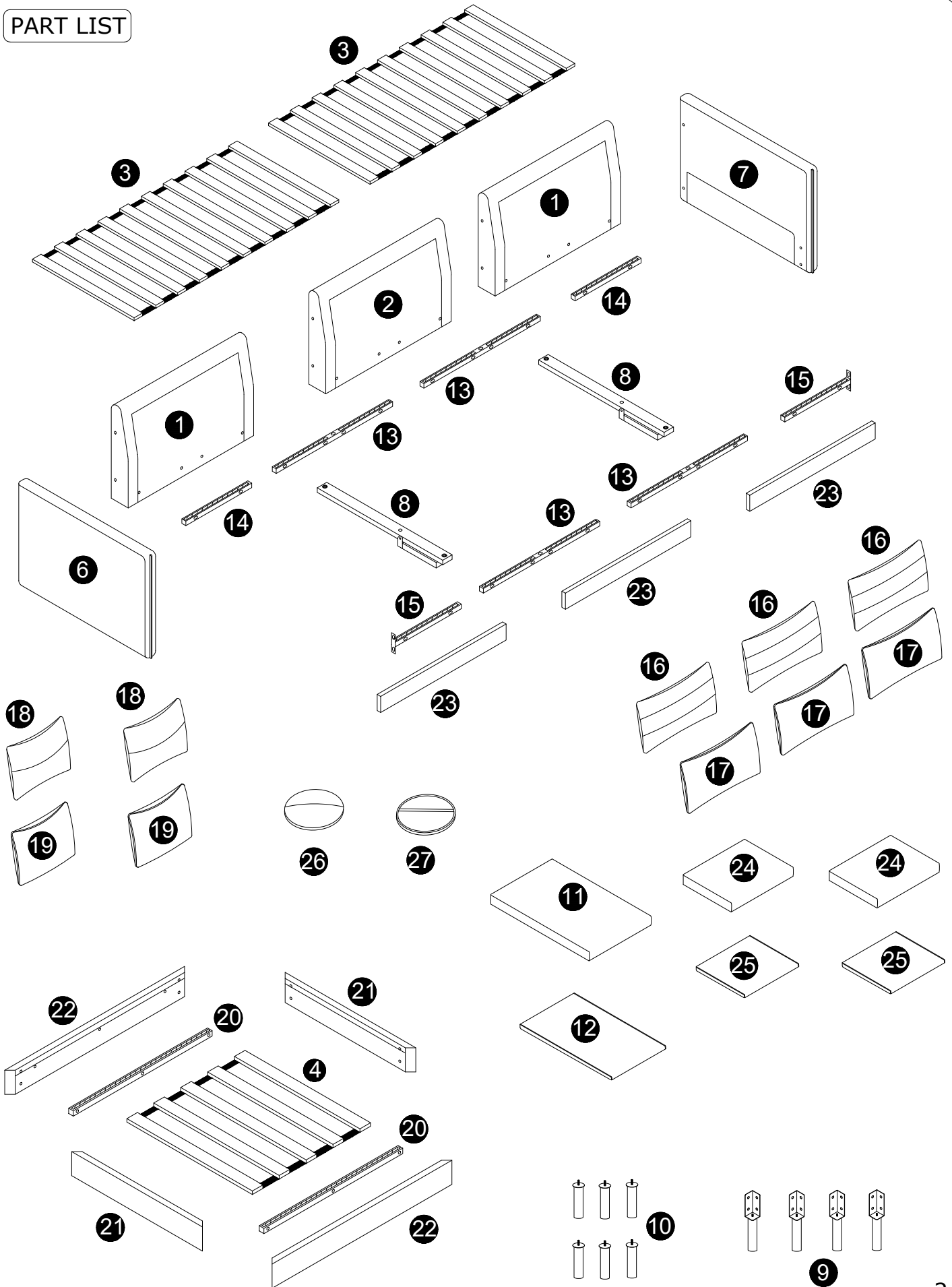
1. For the protection of your furniture, place all parts on a clean and smooth surface to prevent any damage.
2. Keep fittings out of children's reach and keep children well away from construction area.
3. When moving your assembled sofa, it is best to lift the sofa and never to drag it.
4. Do not use this product if parts are missing, damaged or worn.
5. This product should only be used on firm, level ground.
6. Please periodically check all fittings and re-tighten as necessary.
7. Do not use the sofa unless all bolts and screws are firmly secured.
8. For further assistance, please provide a screenshot of your order and contact us via email



Minimum two  
person assembly

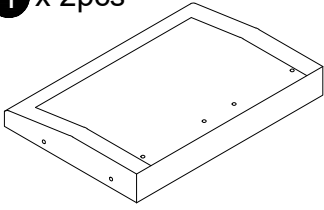


PART LIST

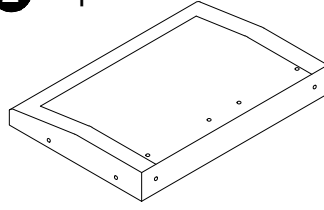


### Components of Carton A

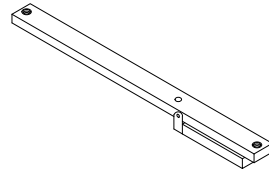
1 x 2pcs



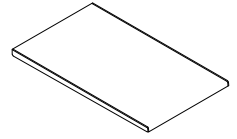
2 x 1pc



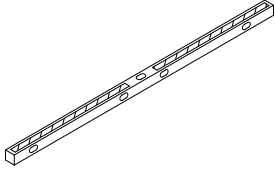
8 x 2pcs



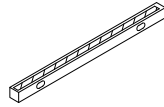
12 x 1pc



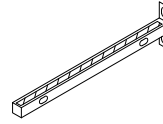
13 x 4pcs



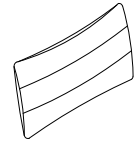
14 x 2pcs



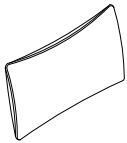
15 x 2pcs



16 x 3pcs



17 x 3pcs



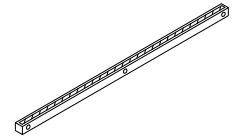
18 x 2pcs



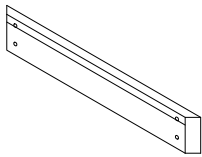
19 x 2pcs



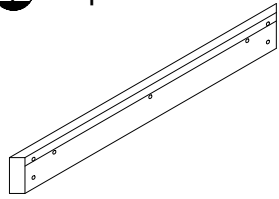
20 x 2pcs



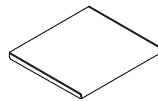
21 x 2pcs



22 x 2pcs



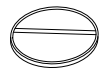
25 x 2pcs



26 x 1pc

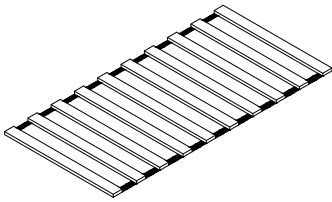


27 x 1pc

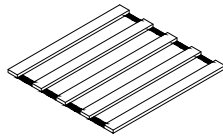


### Components of Carton B

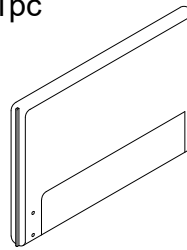
3 x 2pcs



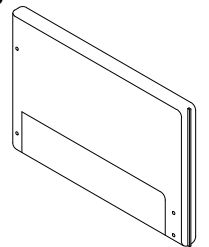
4 x 1pc



6 x 1pc

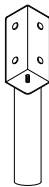


7 x 1pc



### Components of Carton C

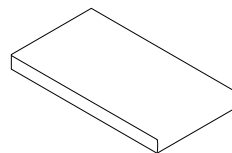
9 x 4pcs



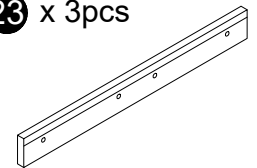
10 x 6pcs (153mm)



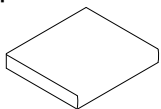
11 x 1pc



23 x 3pcs




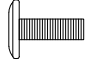

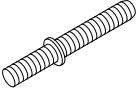

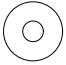

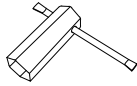
24 x 2pcs



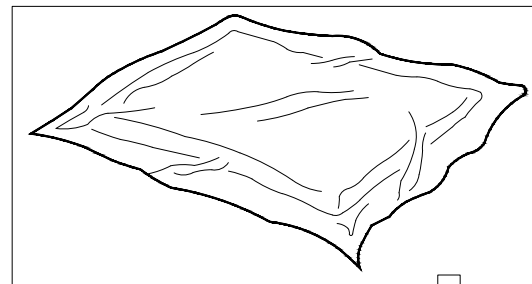
Please ensure to thoroughly inspect the small inner cardboard box containing the hardware, which are tied with a red string, before disposing of the box.

**HARDWARE LIST**

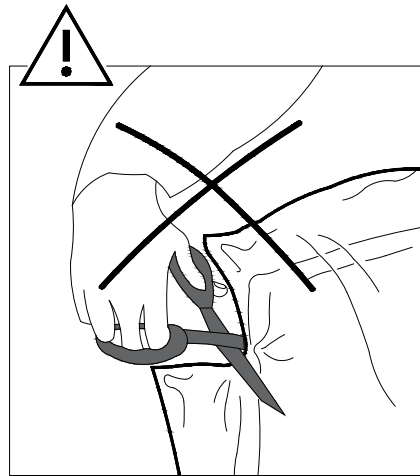
**Components of Carton C**

 <b>H1</b> M5 x 1pc	 <b>H2</b> M8x20mm x 20pcs	 <b>H3</b> M8x45mm x 36pcs	 <b>H4</b> M8x80mm x 8pcs
 <b>H5</b> M8 x 14pcs	 <b>H6</b> M8x22mm x 38pcs	 <b>H7</b> M8 x 8pcs	 <b>H8</b> x 1pc

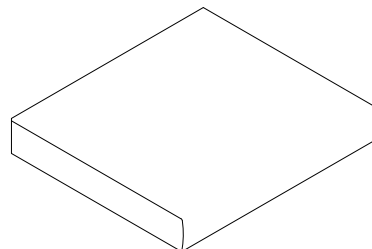
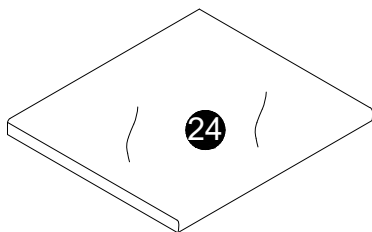
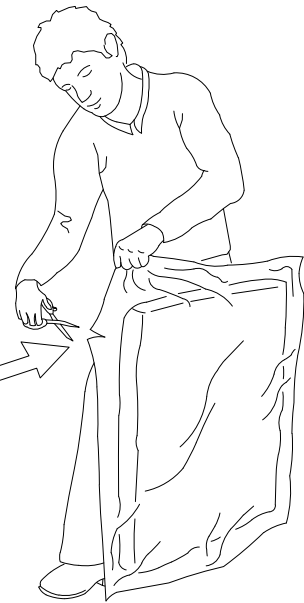
1



- 11** x1
- 16** x3
- 18** x2
- 24** x2
- 26** x1

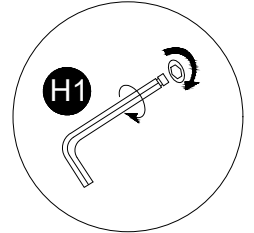
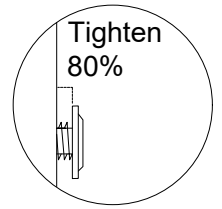
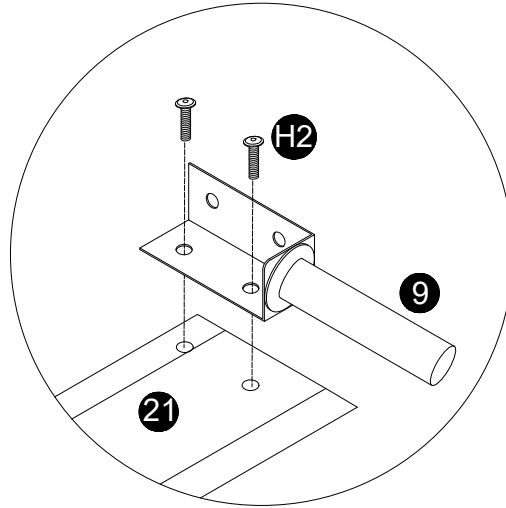
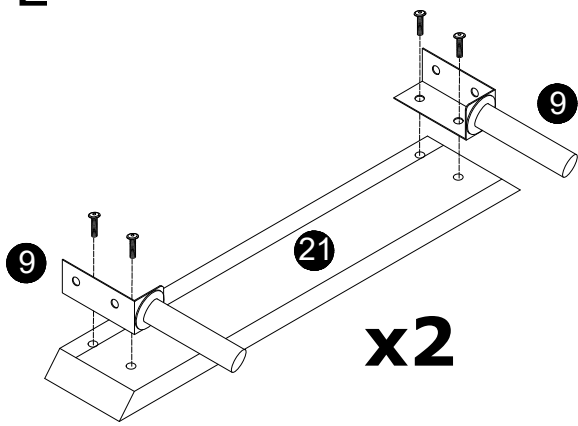


Open the vacuum-sealed bag, let the pillow expand and become fluffy, and be careful not to damage the pillow.



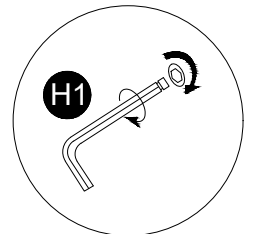
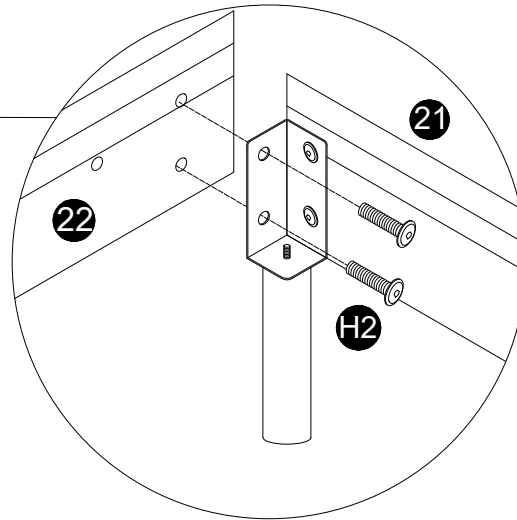
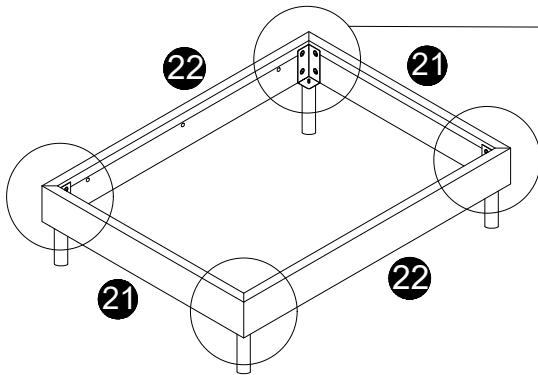
48h

2



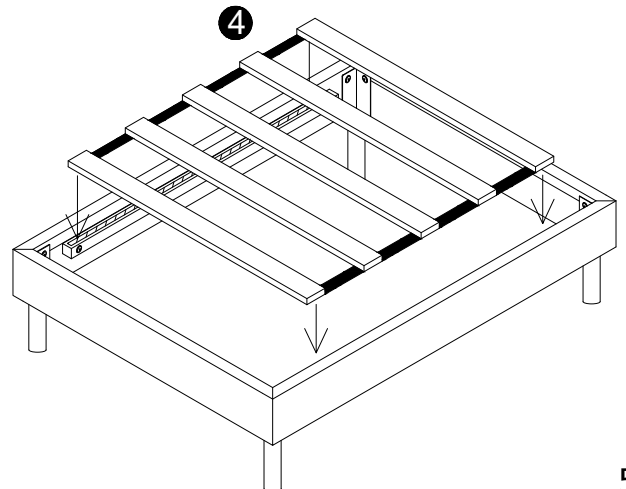
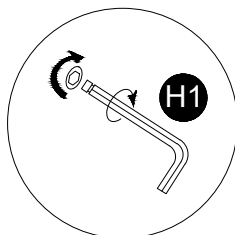
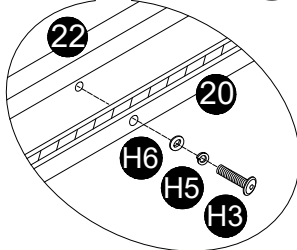
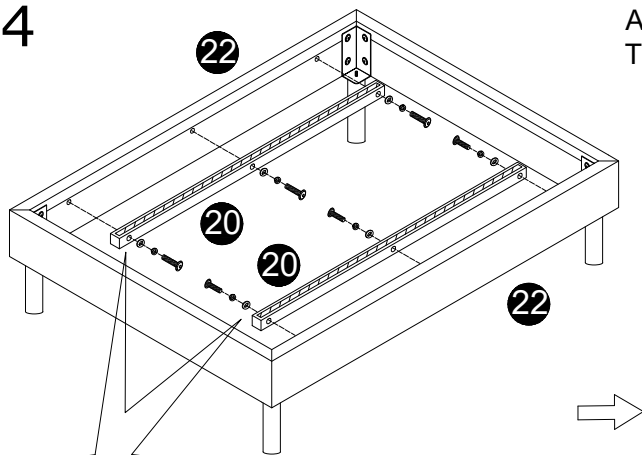
3

Align the screws with the corresponding holes and pre-fix them. Then, tighten each screw separately.

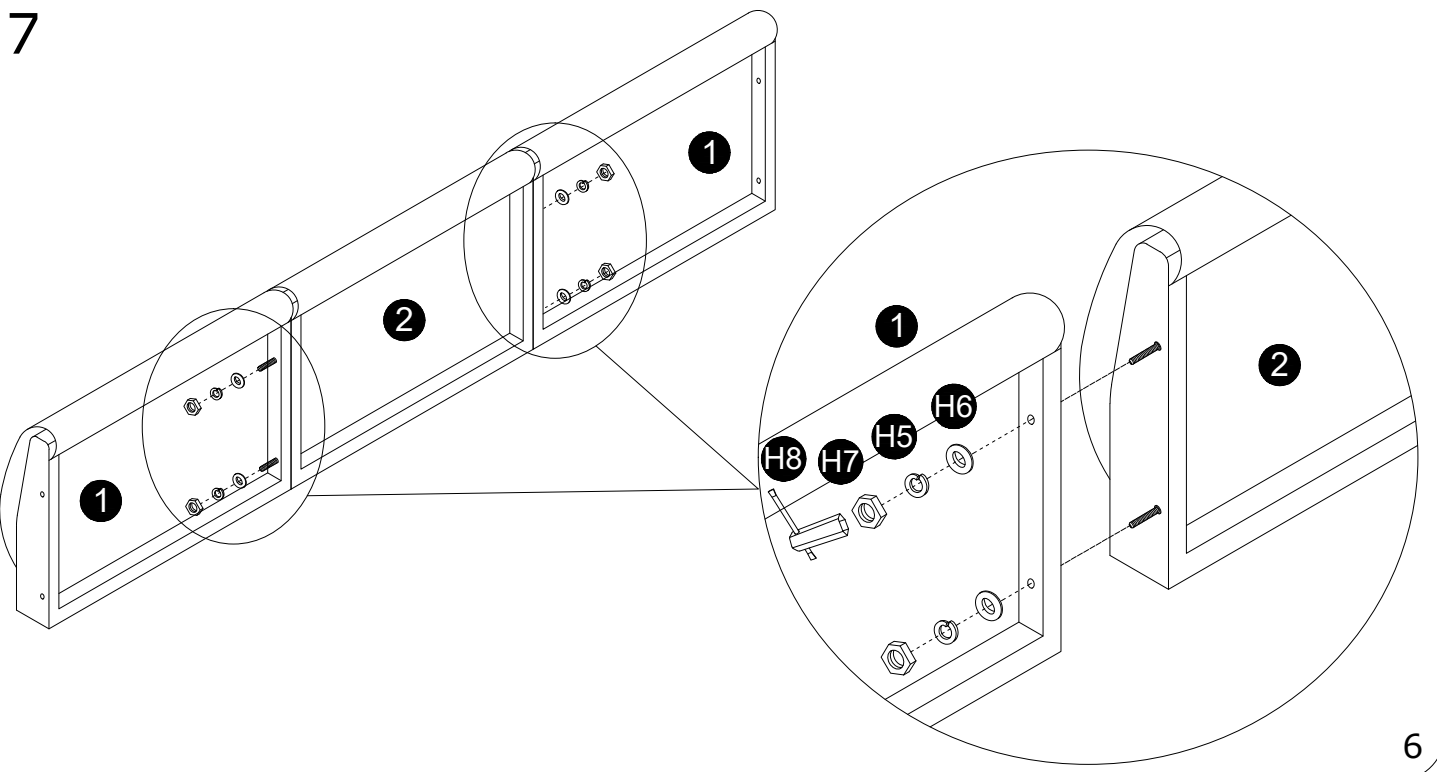
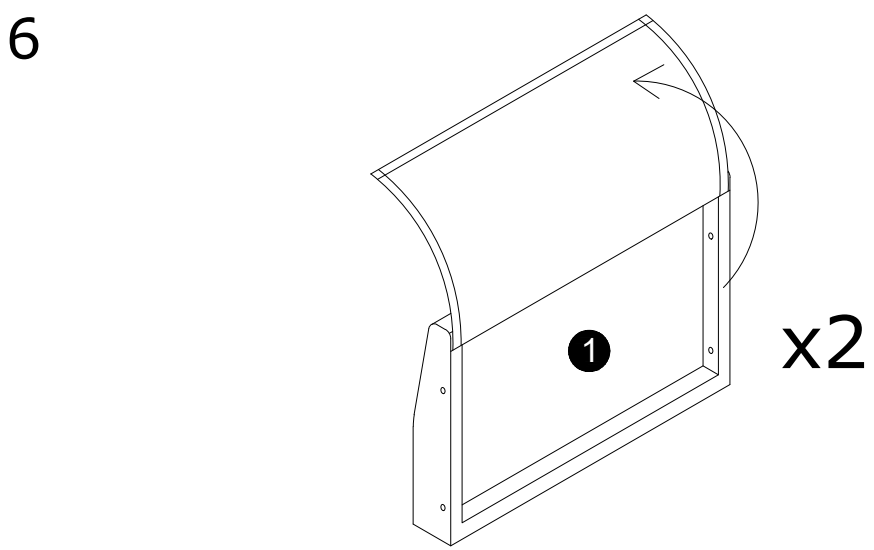
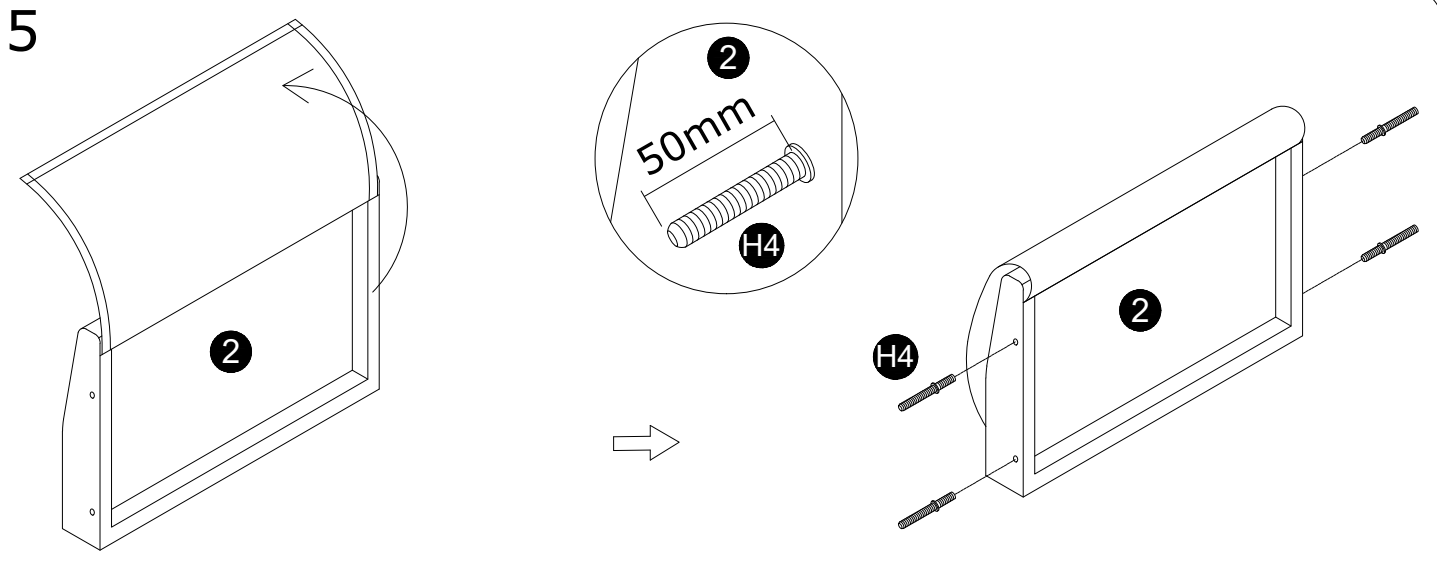


4

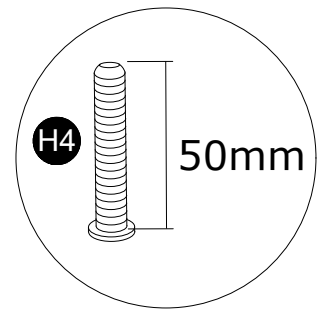
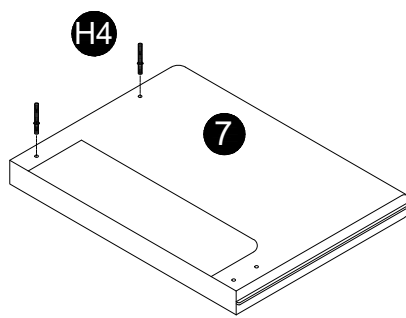
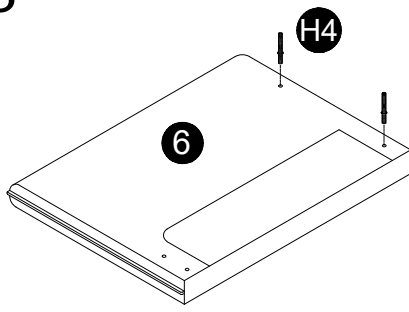
Align the screws with the corresponding holes and pre-fix them. Then, tighten each screw separately.



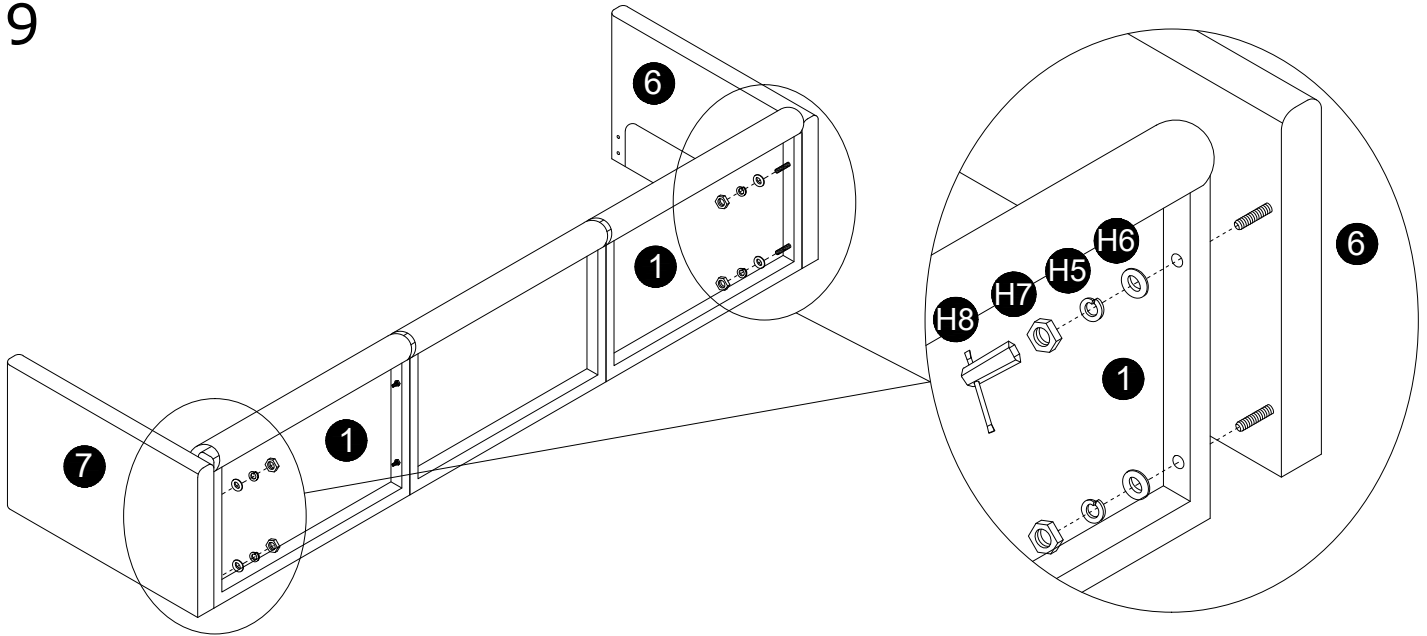
5



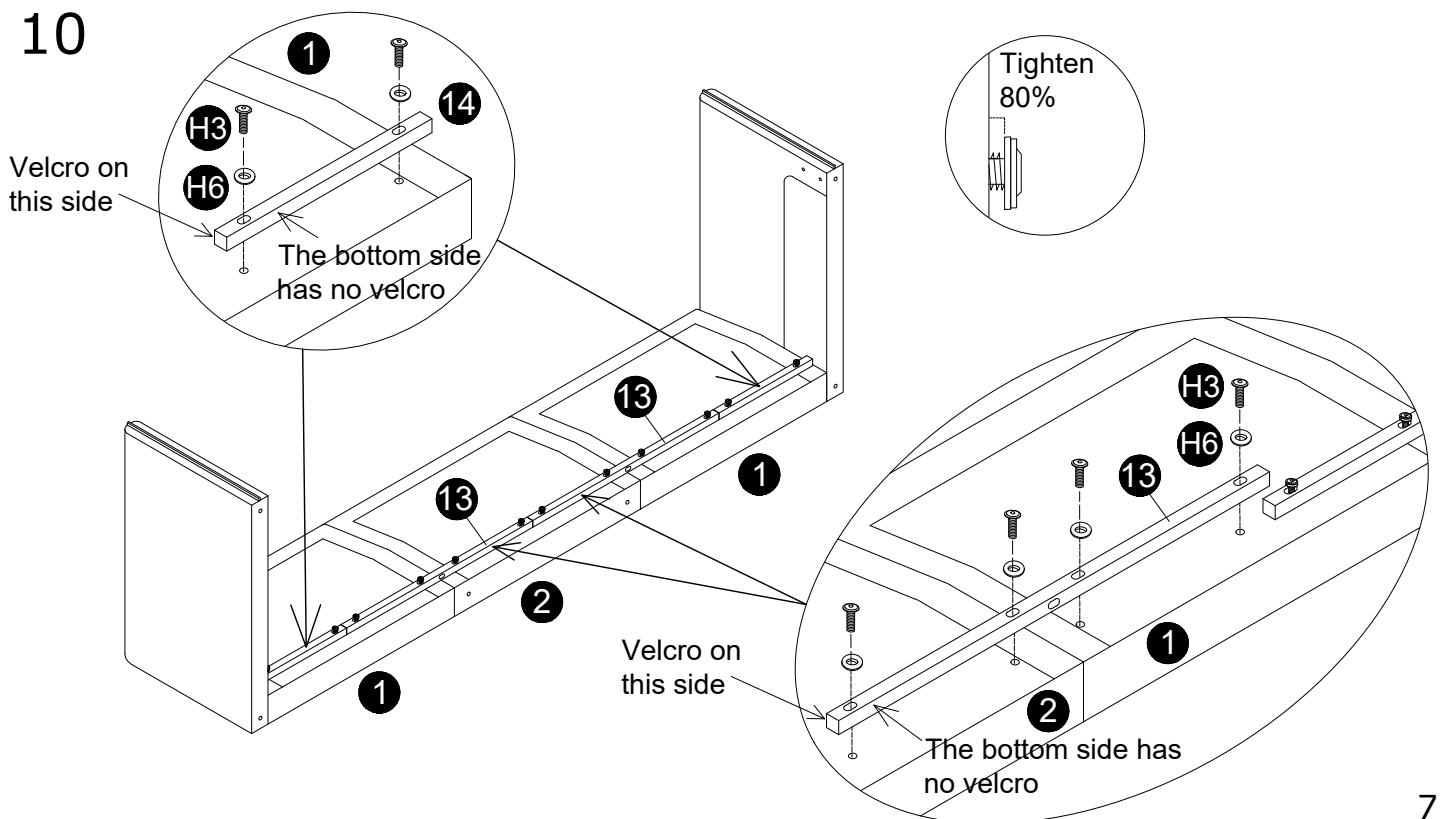
8



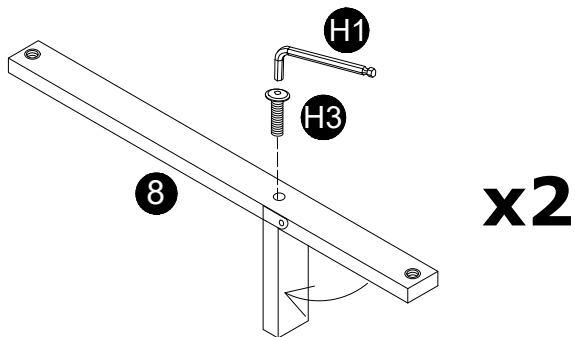
9



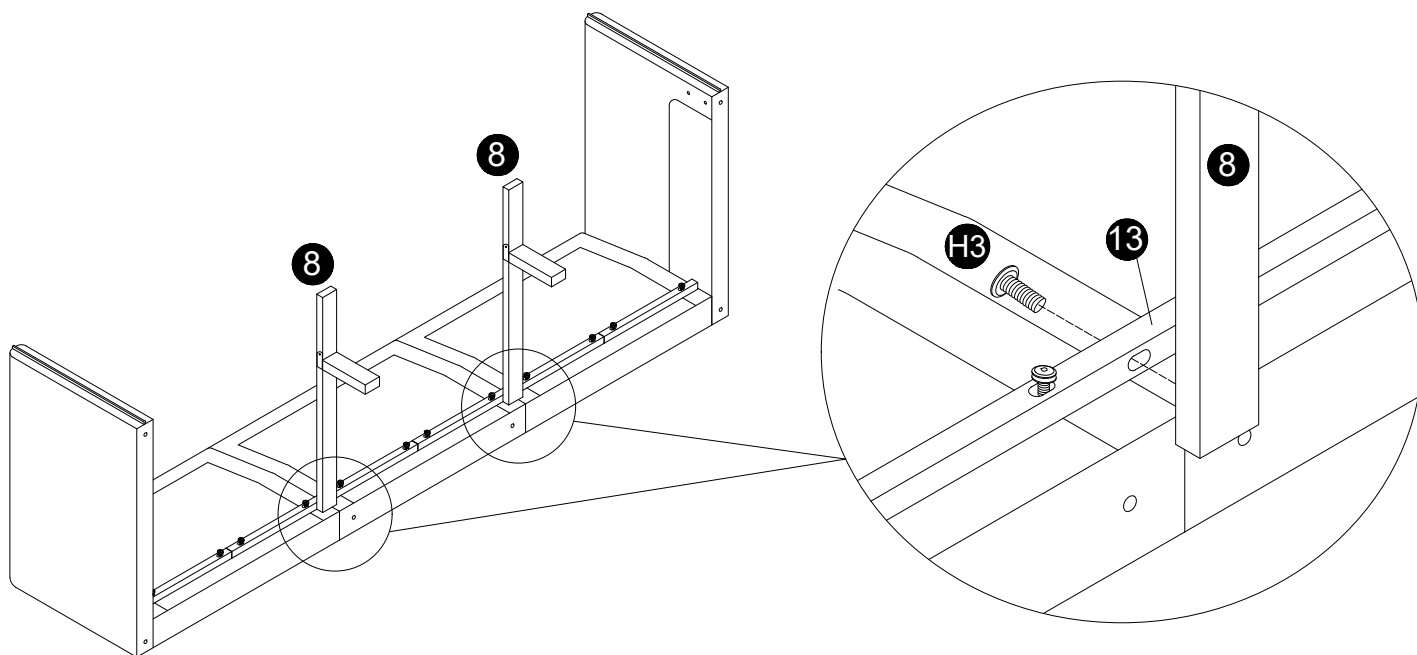
10



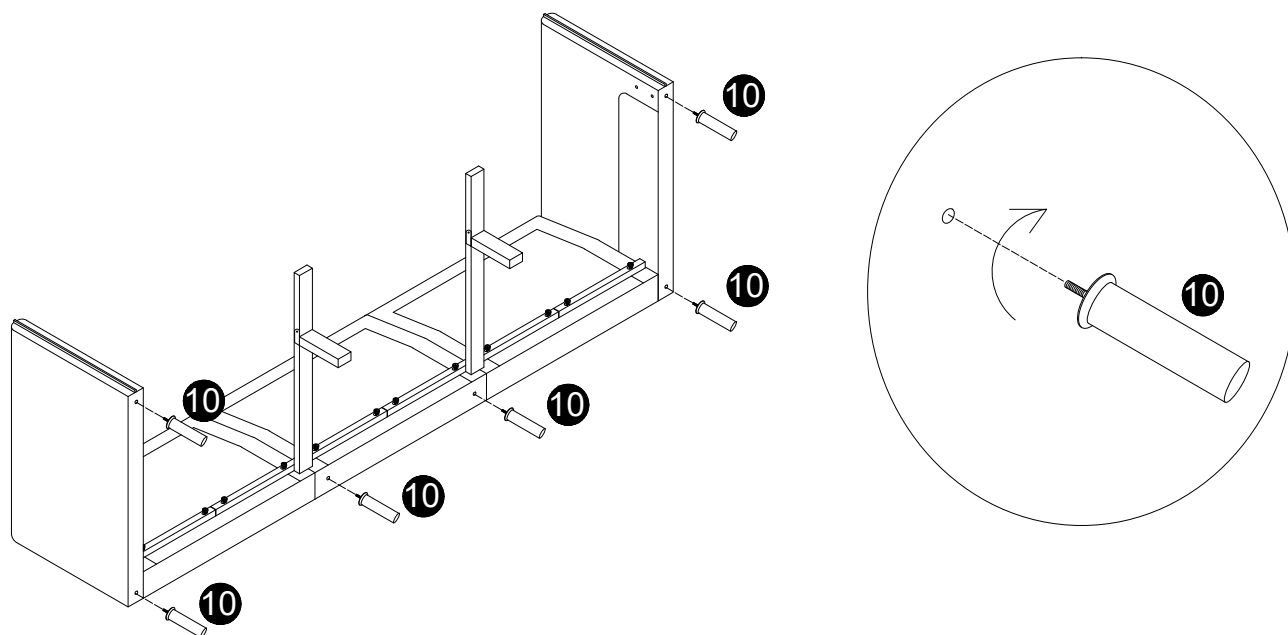
11



12

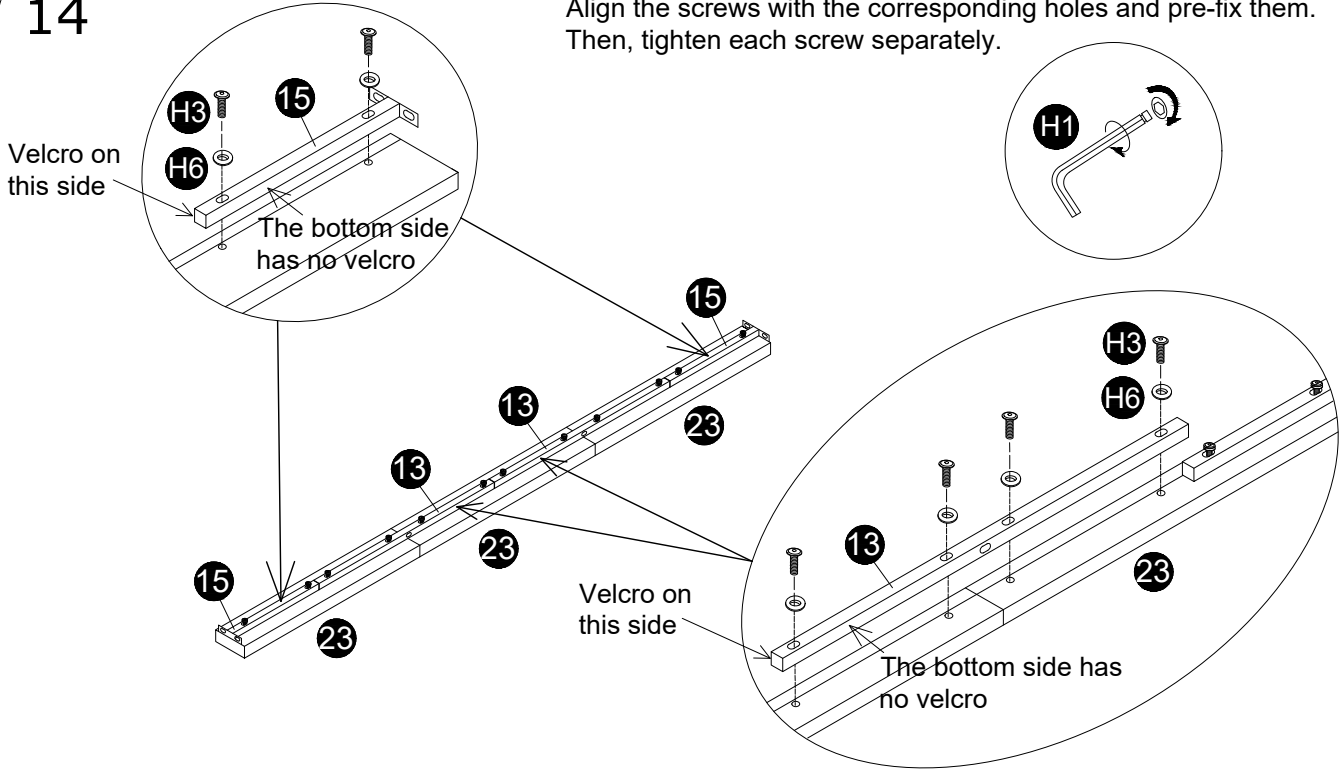


13



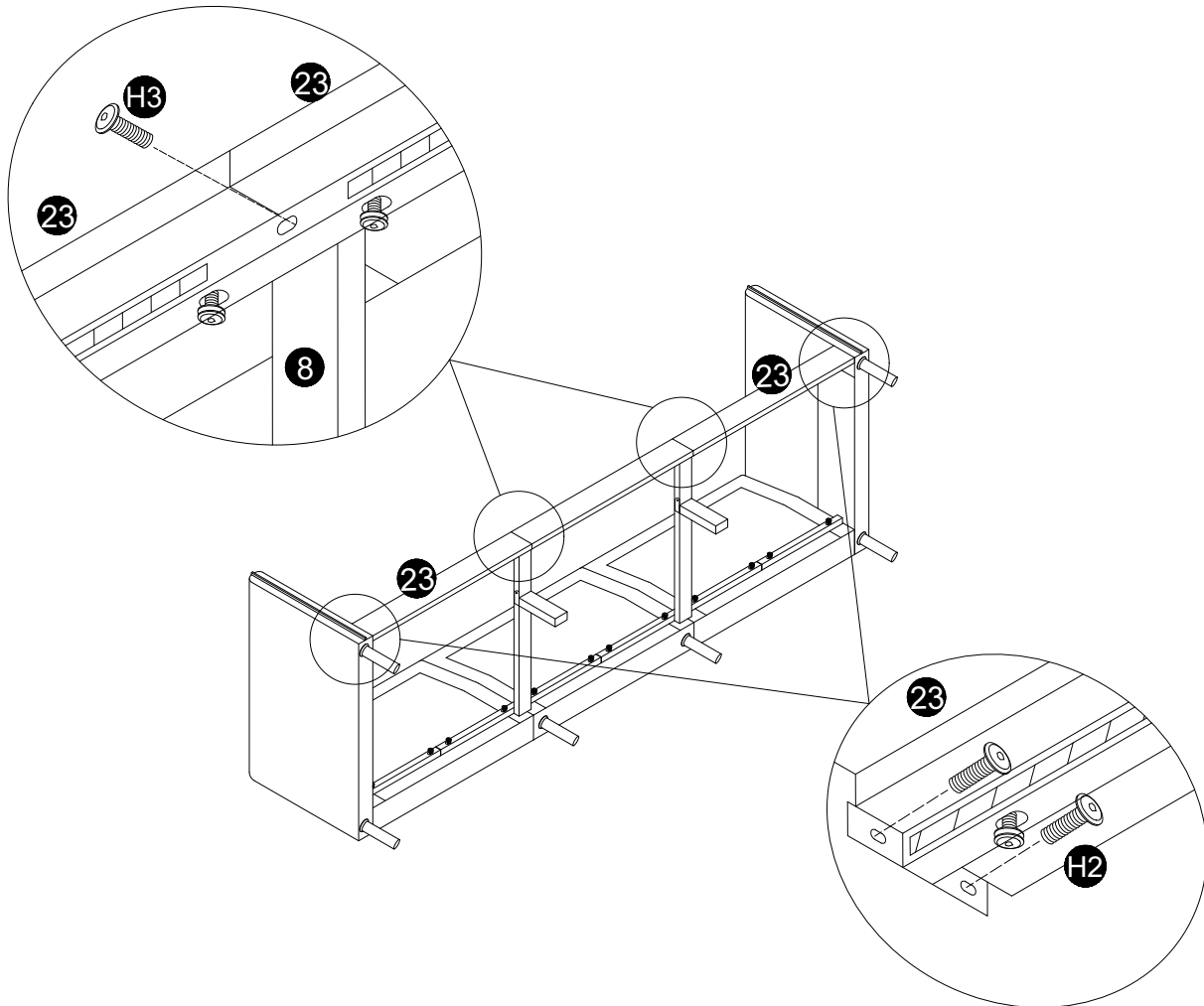
14

Align the screws with the corresponding holes and pre-fix them. Then, tighten each screw separately.

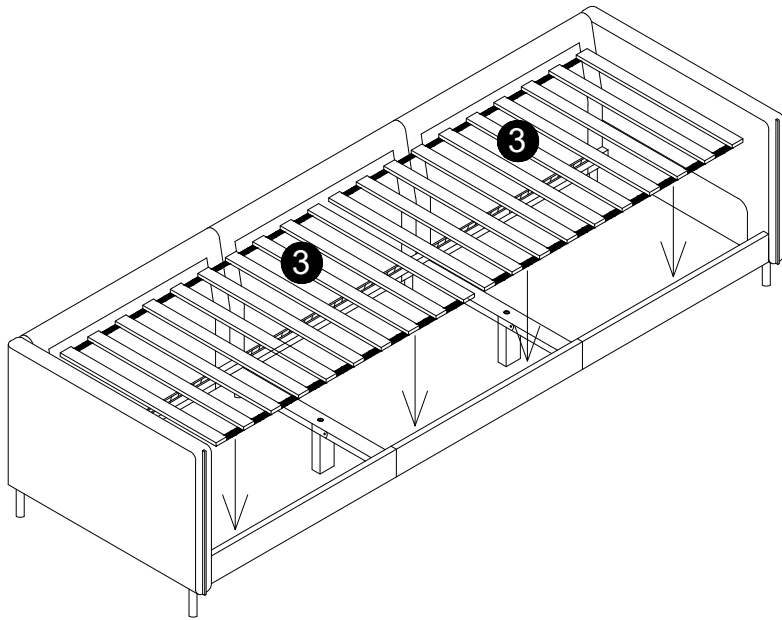


15

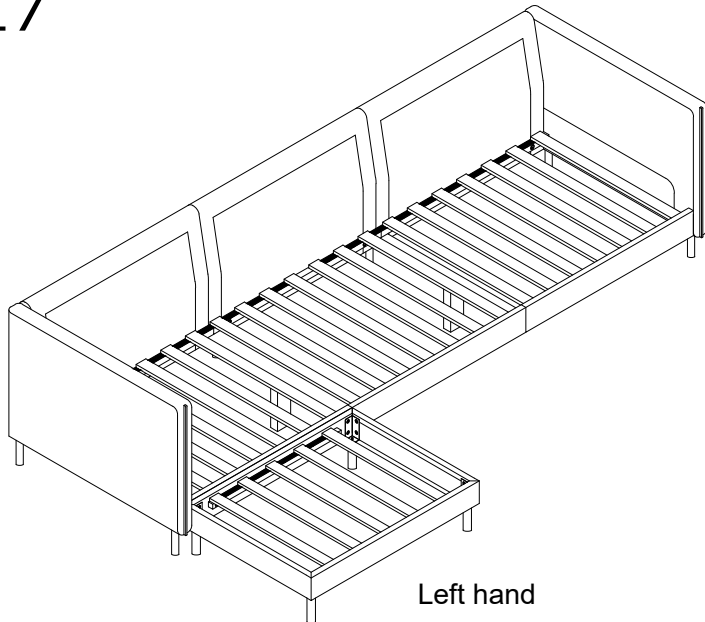
Align the screws with the corresponding holes and pre-fix them. Then, fully tighten step 10 to step 15 all fixings.



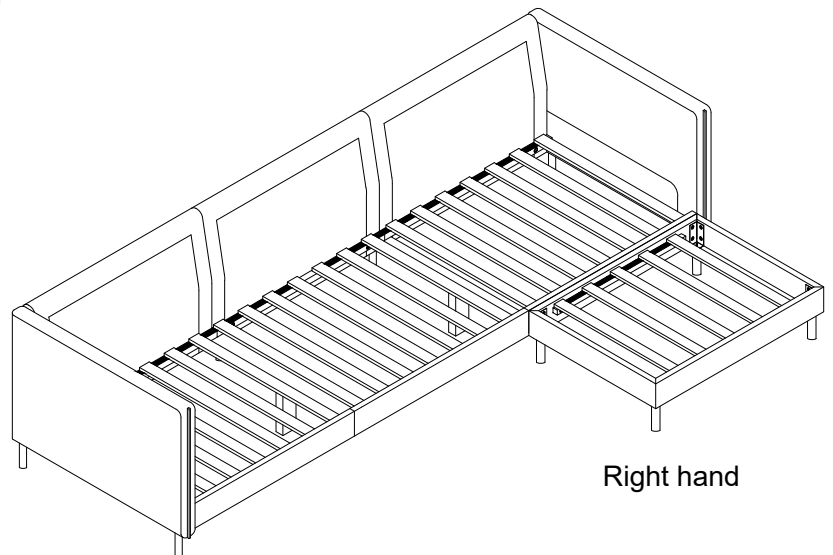
16



17



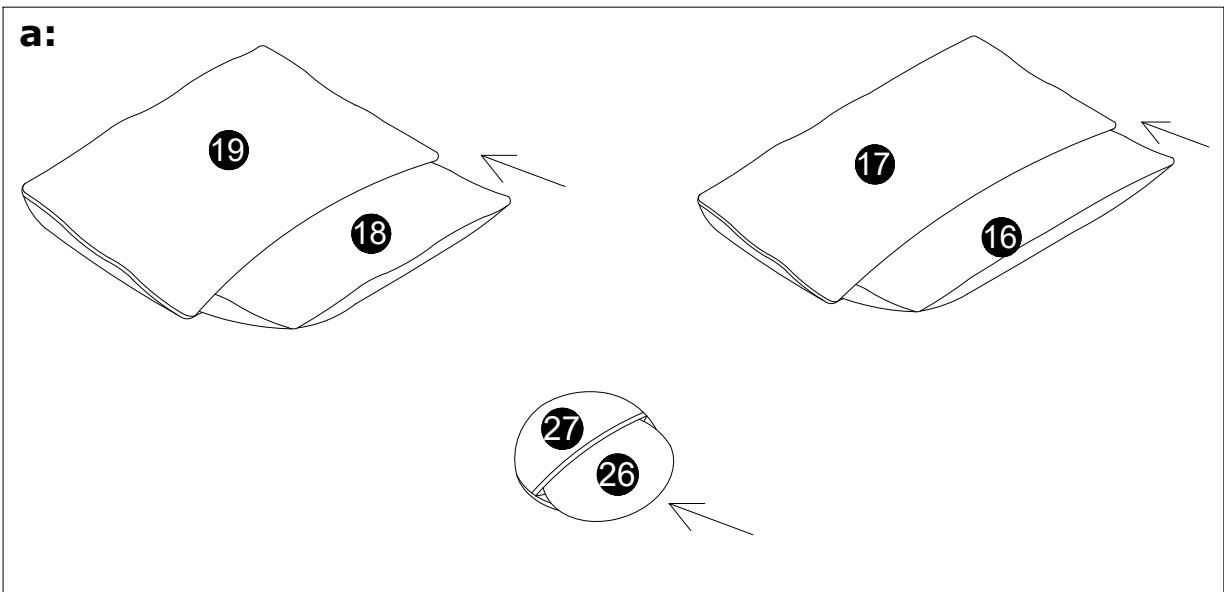
Left hand



Right hand

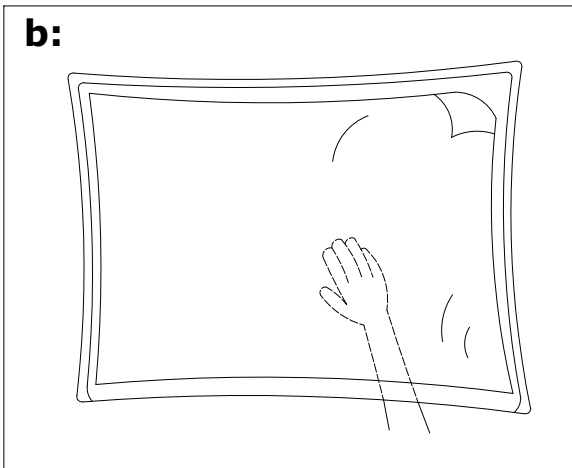
18

a:



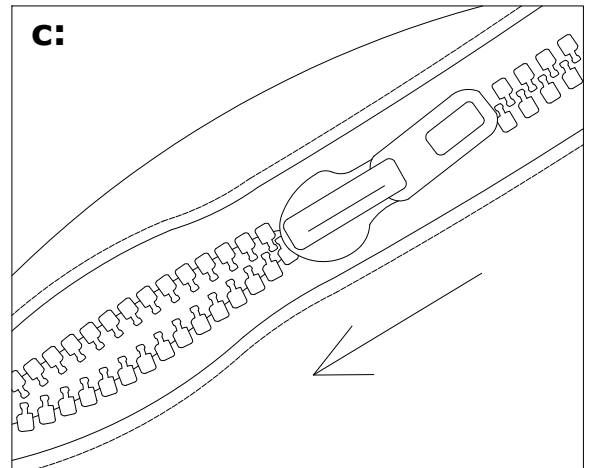
Unzip the cover, place the pillow core inside, and make sure to prioritize getting the corners into position first.

b:



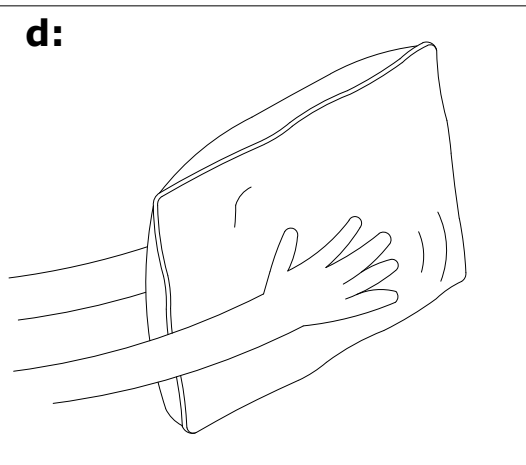
After inserting the pillow core, press the four corners into place.

c:

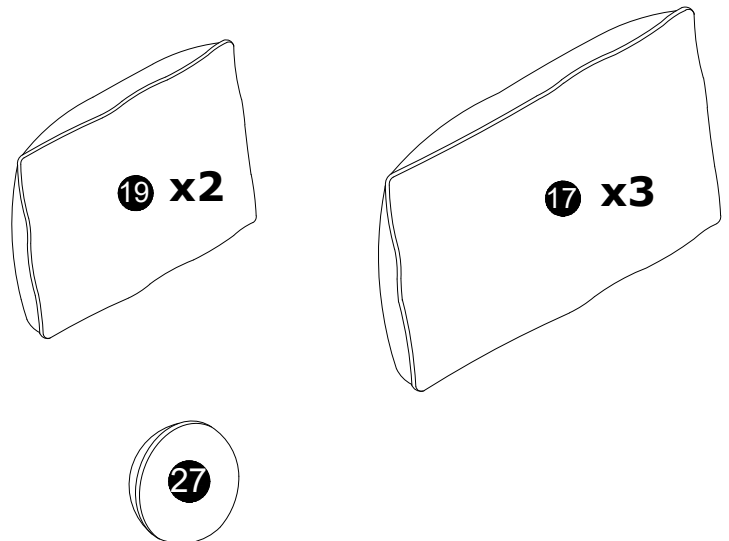


Close the zipper.

d:

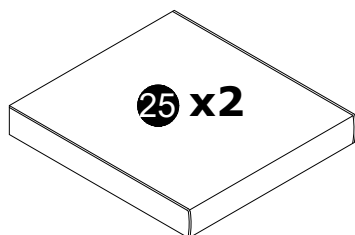
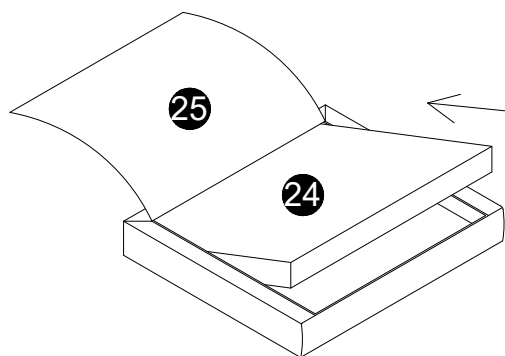
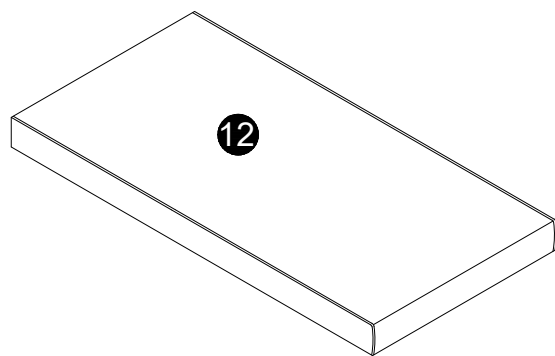
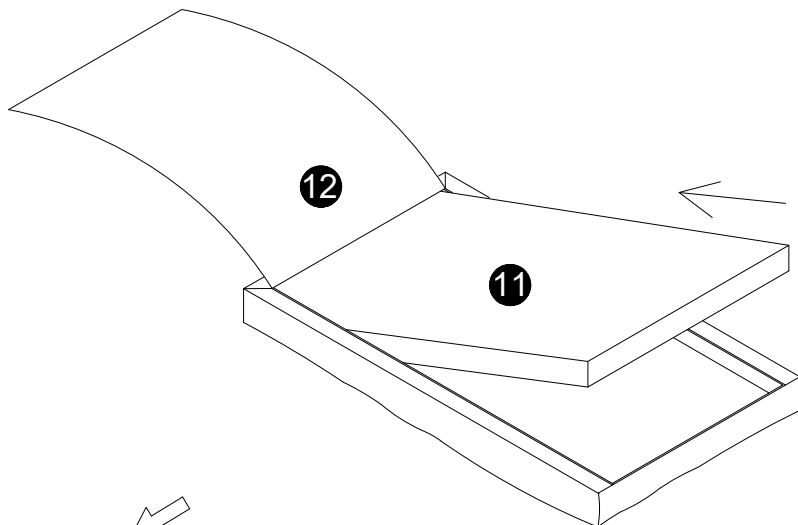


Fluff and distribute evenly.

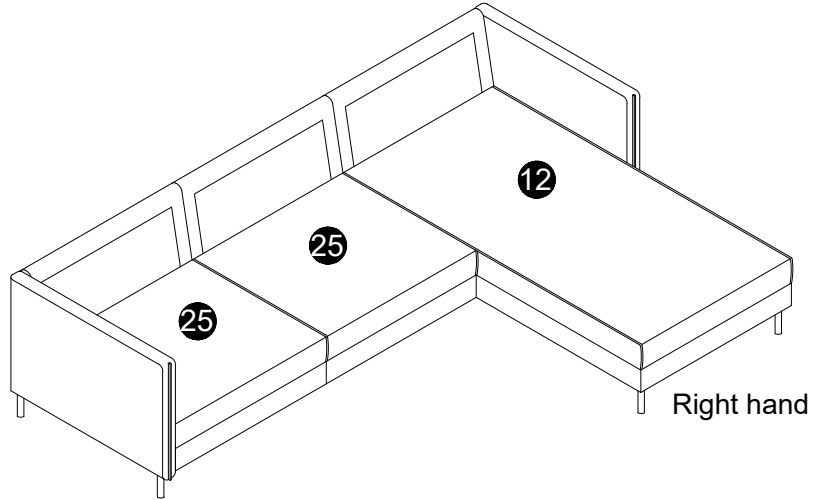
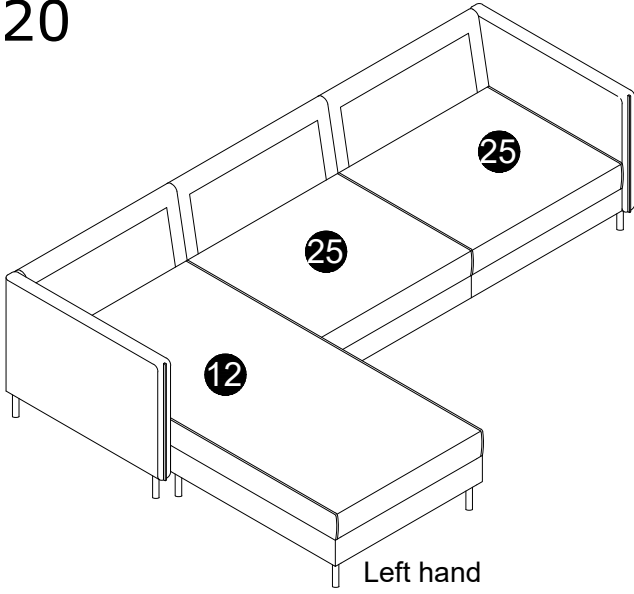


19

Unzip the cover, place the seat cushion core inside, and make sure to prioritize getting the corners into position first. Then, close the zipper.



20



21

