

Assembly & Installation Instructions

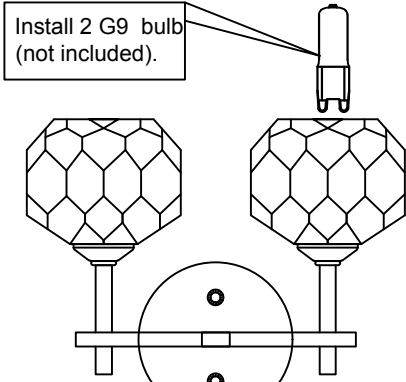
Warning: If any special control devices are used with this fixture, follow the instructions carefully to assure full compliance with N.E.C.requirements. If there are any questions, contact a qualified electric contractor.

Warning: California Residents Proposition 65
This product contains lead, a chemical known to the state of California to cause cancer and birth defects or other reproductive harm. Do not place the product in your mouth. Wash your hands after handling this product.

Caution: It is highly recommended to get an electrician to install this light. Please make sure to turn the electricity off at the main circuit breaker before beginning installation. All glass is fragile. Use care when handling glass component(s) and/or lamp(s).

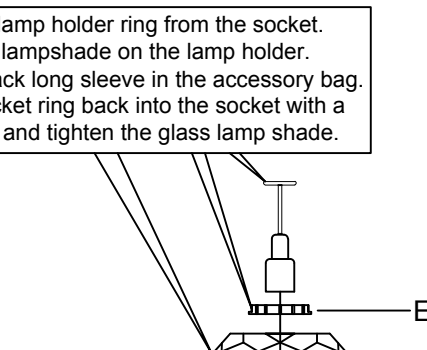
Step 5

Install 2 G9 bulb (not included).



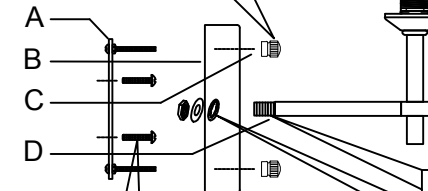
Step 4

4A. Unscrew the lamp holder ring from the socket.
4B. Put the glass lampshade on the lamp holder.
4C. There is a black long sleeve in the accessory bag.
4D. Screw the socket ring back into the socket with a long black sleeve and tighten the glass lamp shade.



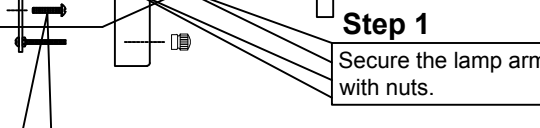
Step 3

Fix the lamp on the wall with nuts.



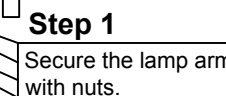
Step 2

2A. Lock the crossbar to the junction box of the ceiling by using 2 pcs of 5/32 screws in the accessories bag.
2B. Connect the wires. The hot/positive wire (+) has an "L" label on it. The other one is the negative wire (-). And the bare cooper is the ground wire.
2C. Fix the cross bar to the wall with Crossbar Screws

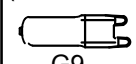


Step 1

Secure the lamp arm with nuts.



Light Bulb (Not included)



G9

(Rated 110-130V/60Hz, bulb 40W maximum.)

WIRE CONNECTION DIAGRAM

Wires meeting safety standards are required to connect the electrical circuit.

CAUTION: Risk of fire



Please read all instructions carefully. Before you proceed to install, make sure that the power supply is turned off and remains off until installation is completed.

PARTS INCLUDED

Code	Part Description	QTY
A	Mounting Bracket	1 PCS
B	Canopy	1 PCS
C	Decorative Nut	2 PCS
D	Lamp Arm	1 PCS
E	G9 Lock Ring	2 PCS
F	Crystal Cover	2 PCS