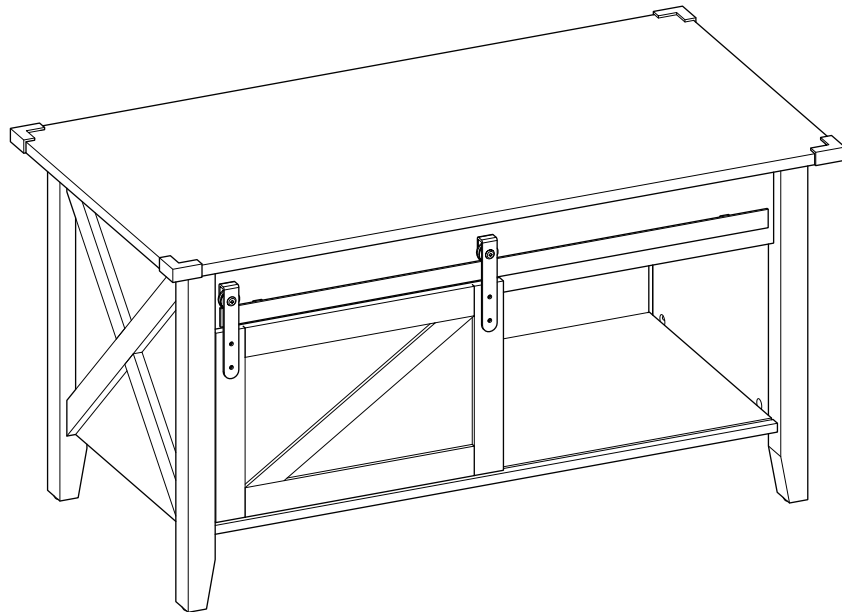


Assembly Instructions

COFFEE TABLE



Hi! My master! I am so happy to be picked up by you. Are you ready to start the new journey with me, this cute coffee table?

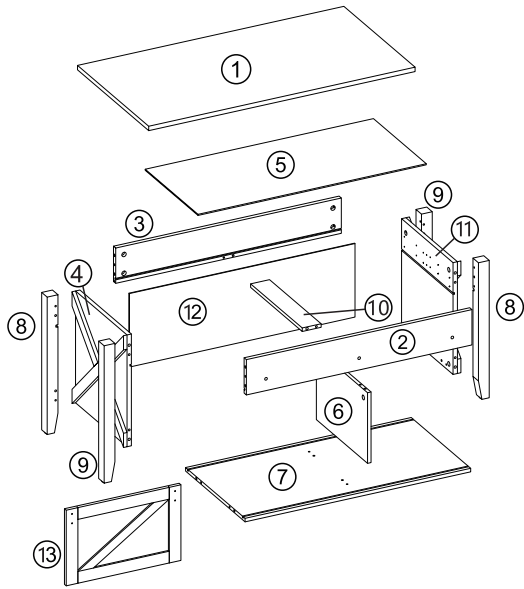
Before we get started with assembly, let me give you a simple tour for the hardware and parts we shall be acknowledged with. There you go.
(Warm Reminder: please take out all the parts/hardware and carefully examine on if all the components are intact. if you have a power drill, it will make the assembly process much easier and quicker)

Parts Family

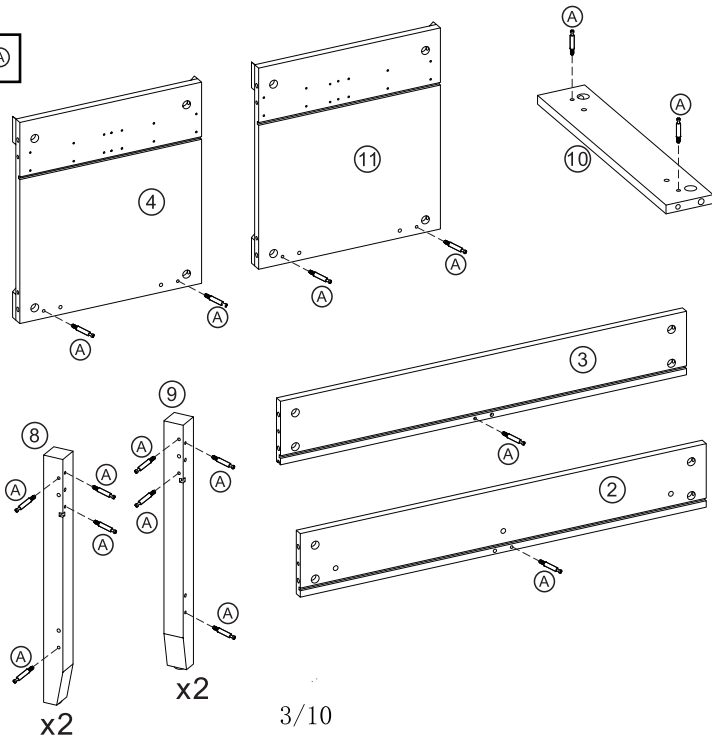
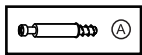
① × 1 	② × 1 	③ × 1
④ × 1 	⑤ × 1 	⑥ × 1
⑦ × 1 	⑨ × 2 	⑩ × 1
⑪ × 1 	⑧ × 2 	⑫ × 1
		⑬ × 1

Hardware Family

Ⓐ × 24 + 1 M6x35mm	Ⓑ × 24 + 1 M15x9.5mm	Ⓒ × 22 + 1 M6x30mm	Ⓓ × 2 M3.5x35mm
Ⓔ × 3 M8x20mm	Ⓕ × 1 	Ⓖ × 8 + 1 M4x12mm	Ⓗ × 28 + 1 M3.5x14mm
Ⓘ × 2 	Ⓙ × 22 ∅ 20mm	Ⓚ × 4 ∅ 25mm	Ⓛ × 2
Ⓜ × 1 	Ⓝ × 1 	Ⓞ × 4 	



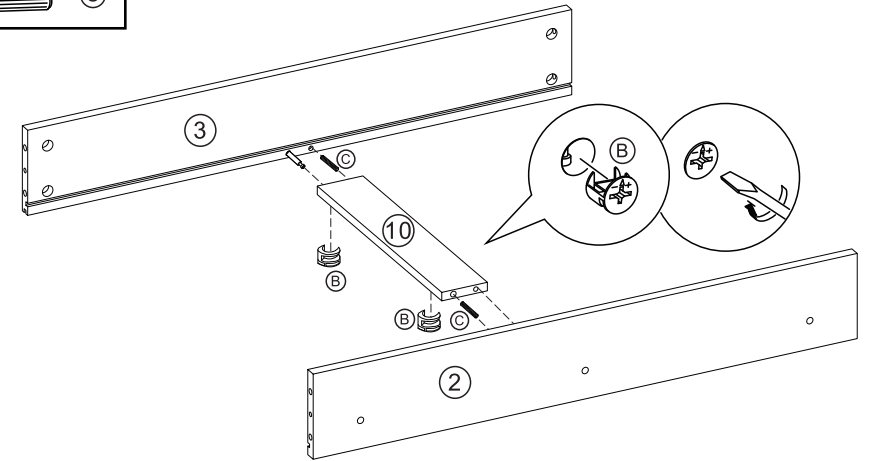
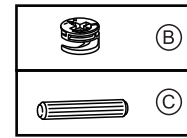
Step 1 Get Ready for the pairing parts with screw **A** drilled, avoid over-drilling which might cause the broken board



3/10

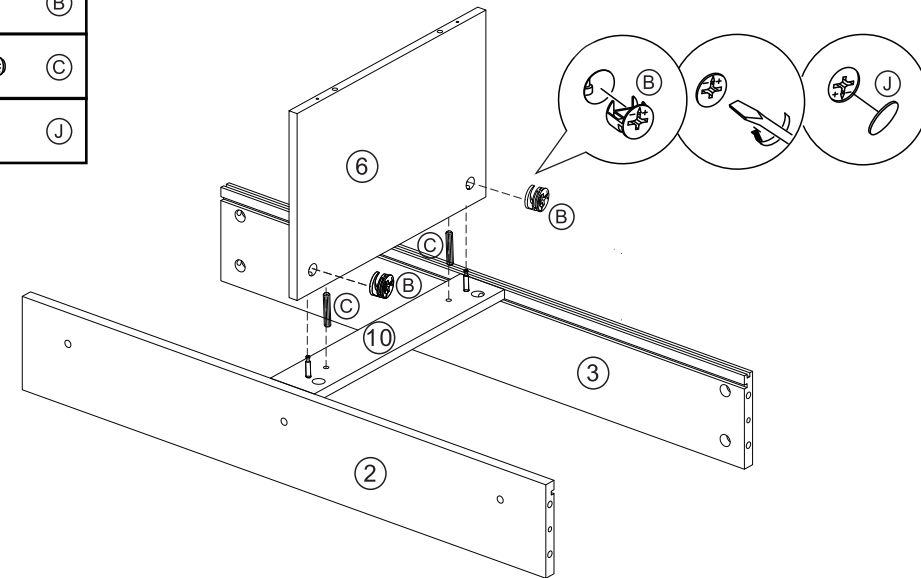
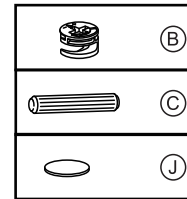
Step 2

Connecting board NO.2 and NO.3 with supportive crossbars No.10 to construct the hidden compartment's structure



Step 3

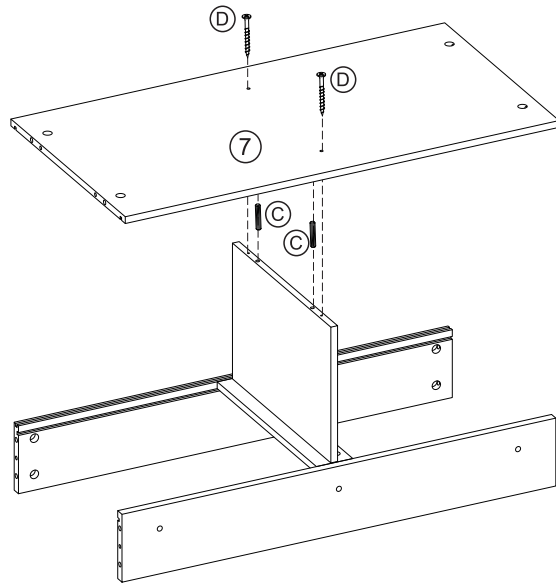
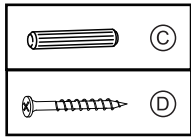
Connecting the one open shelves NO. 6 with crossbars NO. 10 to build up the center of the coffee table body structure



4/10

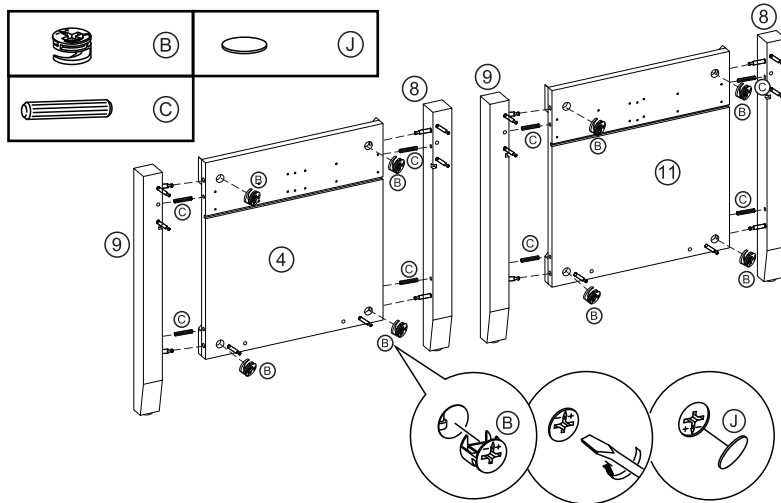
Step 4

Having the coffee table's bottom board NO.7 secured to the shelf NO. 6



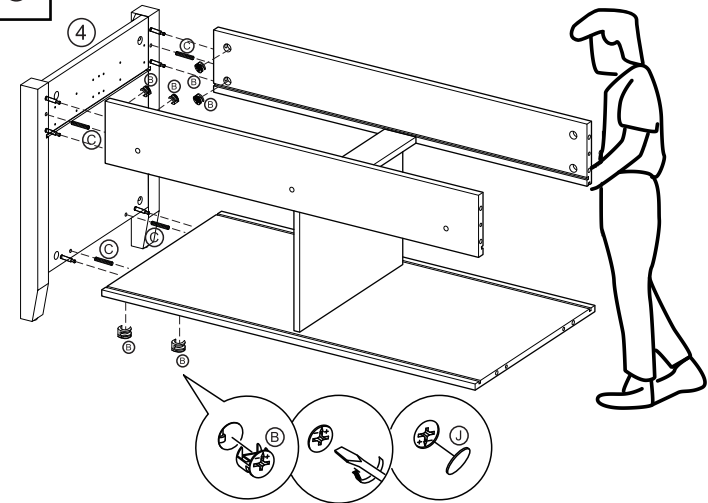
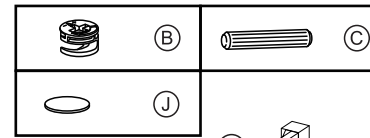
Step 5

Having legs connected with side board NO. 11&4



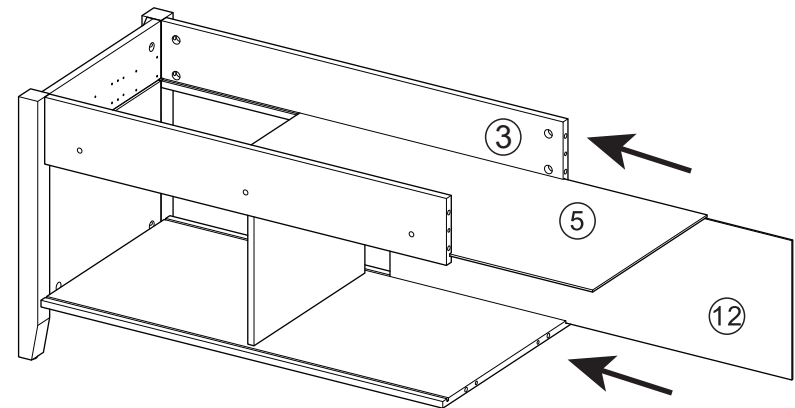
Step 6

having One side board Connected to table main body

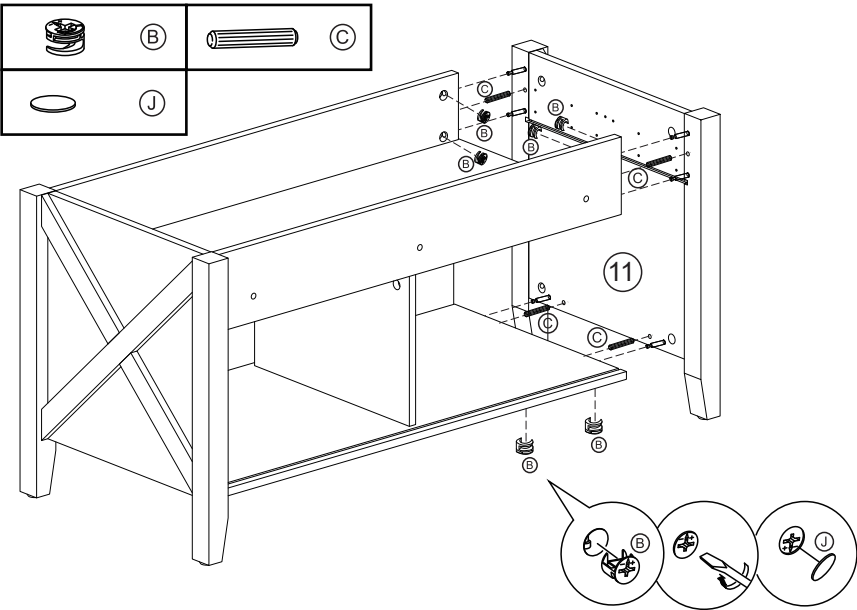


Step 7

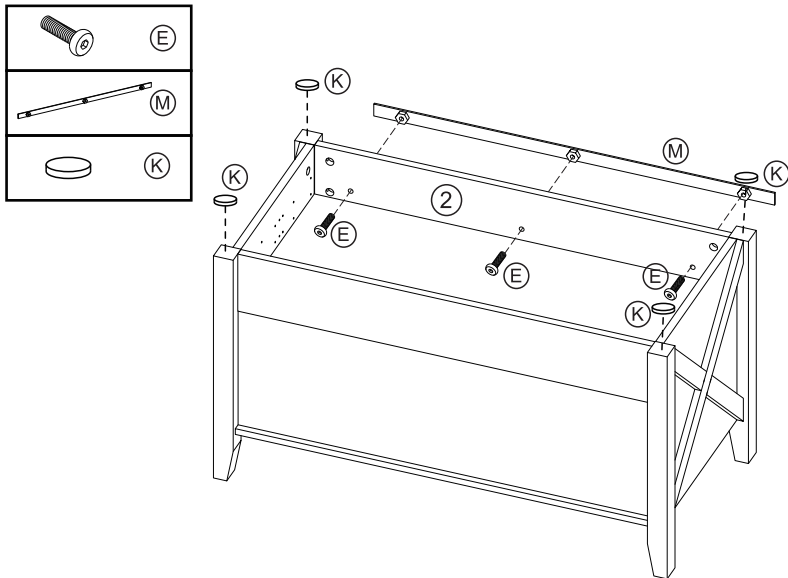
Having board NO. 5 sliding into the top of open shelves to form the bottom of the hidden compartment; Having board NO. 12 sliding into the side underneath board NO. 3



Step 8 having another side board Connected to table main body



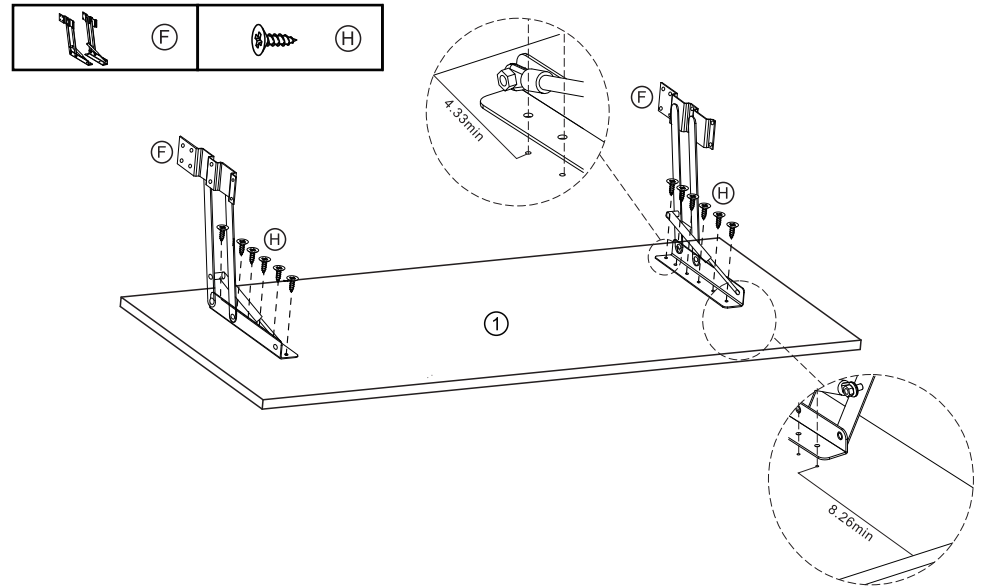
Step 9 Having the buffer stickers stuck to the corners of the table



Step 10

Assemble the gas lifters to the tabletop

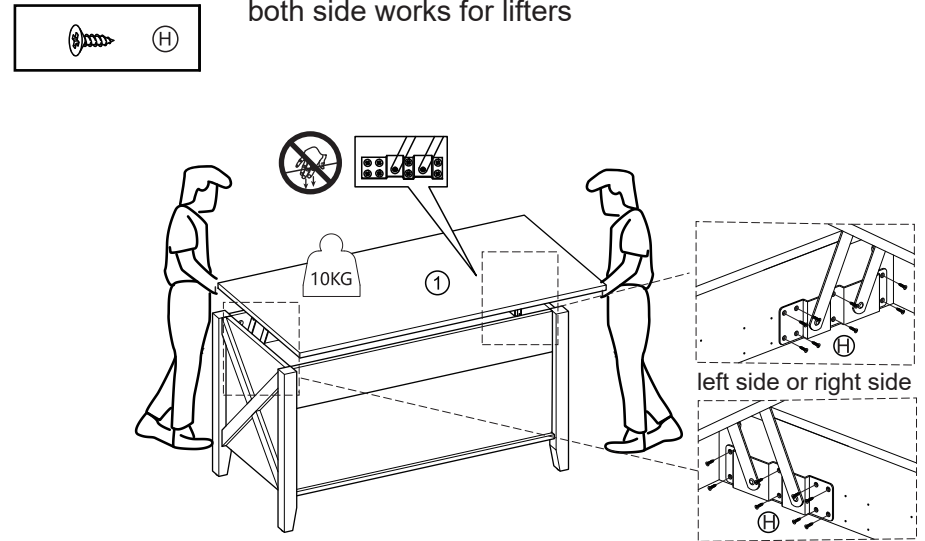
Pay attention to the installation direction of the gas lifters



Step 11

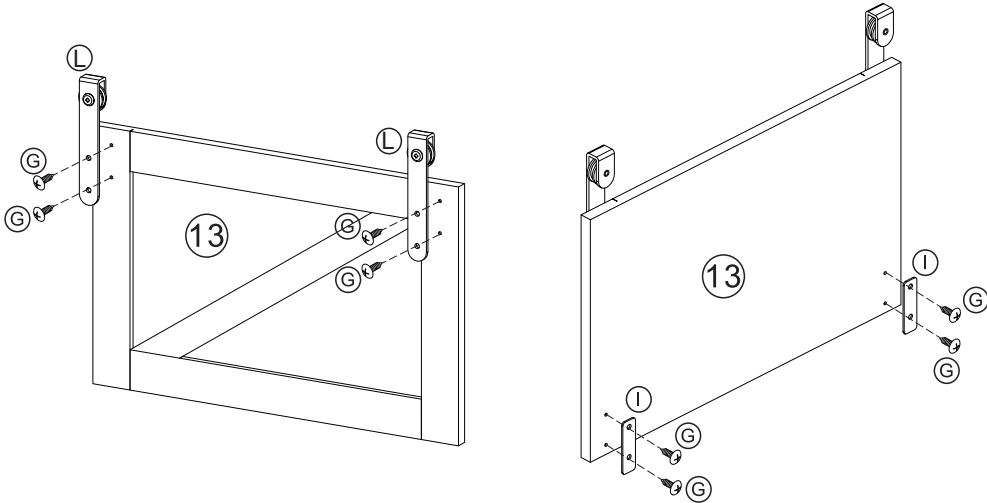
Having the tabletop connected to the table body.

both side works for lifters



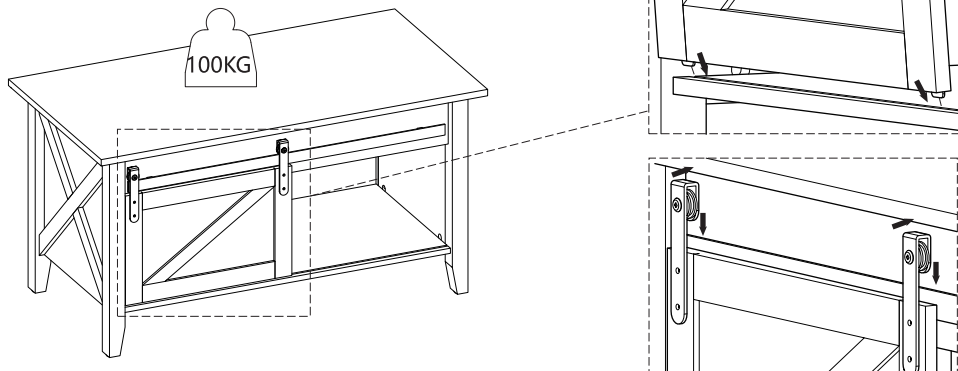
Step 12

Using screw G to secure the sliding metal hanger L and part I into board 13



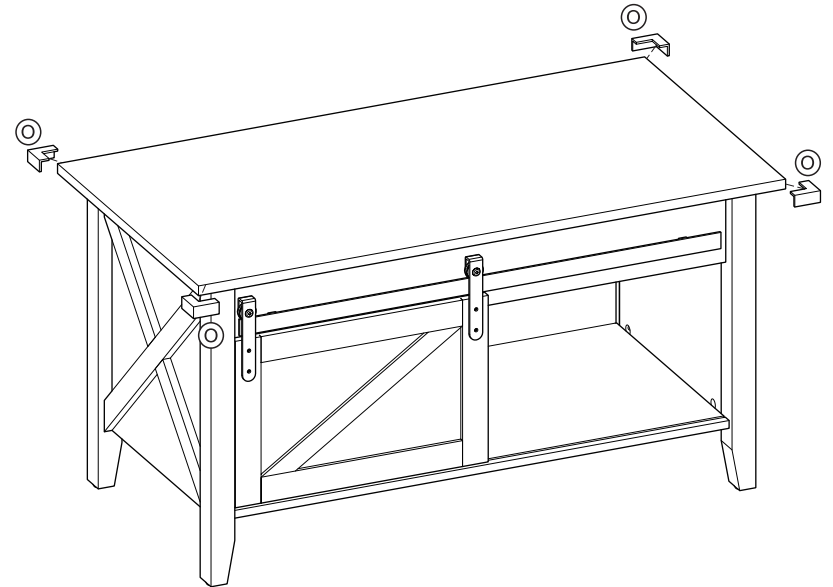
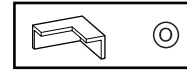
Step 13

Having part I inserted into the side of the bottom board first, then having the hangers attached into part M to finish the sliding board's mechanism



Step 14

Having the corner protectors attached then well done, a lovely coffee table in farmhouse/barn style is ready for you!



Note: If there is any part arrived damaged or defective, please feel free to contact

We are happy to work out the satisfied solution for you. Pictures if you could provide to us would be highly appreciated.

Hope this lovely coffee table could be a durable addition to your warm family!