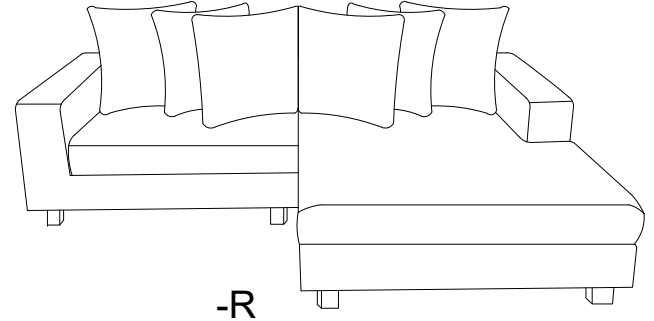
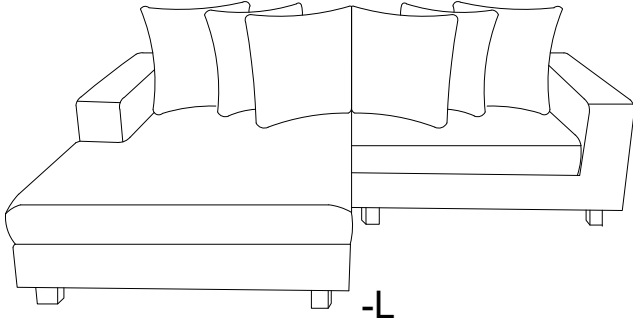
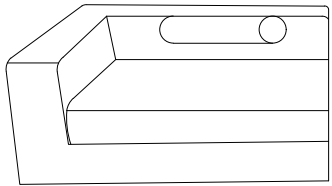


ASSEMBLY INSTRUCTION

ITEM NO.: F10101

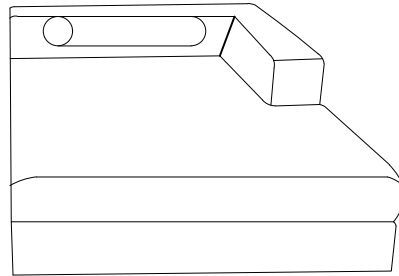


PARTS LIST



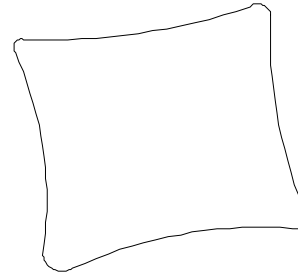
A

x1



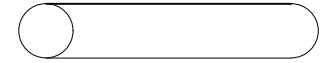
B

x1



C

x6

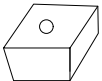


parts have been
assembled

D

x2

HARDWARE LIST



1

x9



2

x9



3

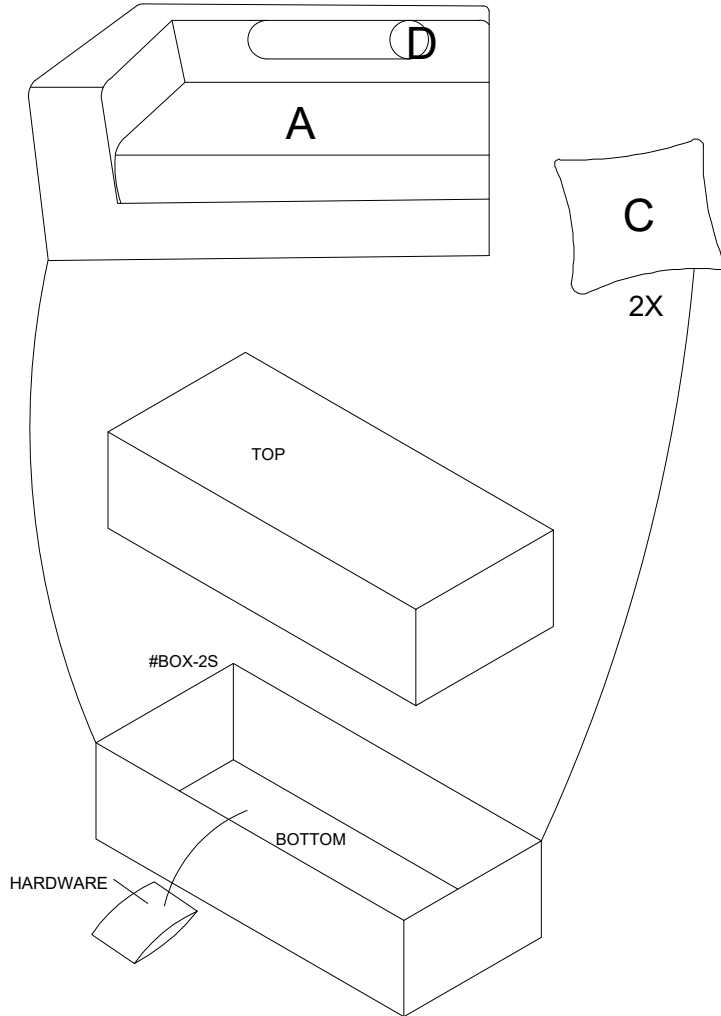
x9



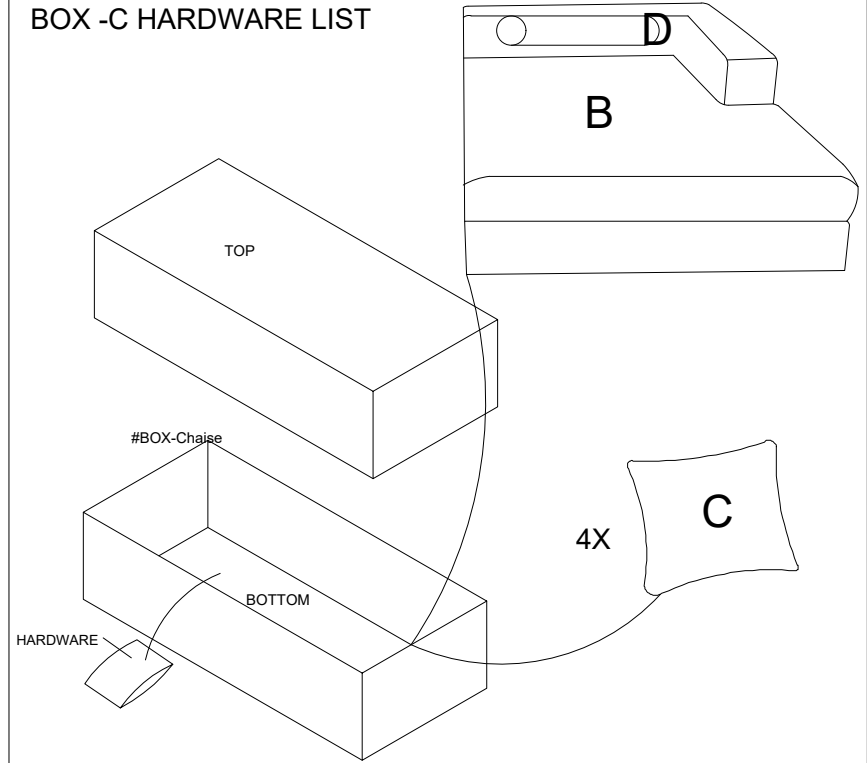
4

x1

BOX -L HARDWARE LIST

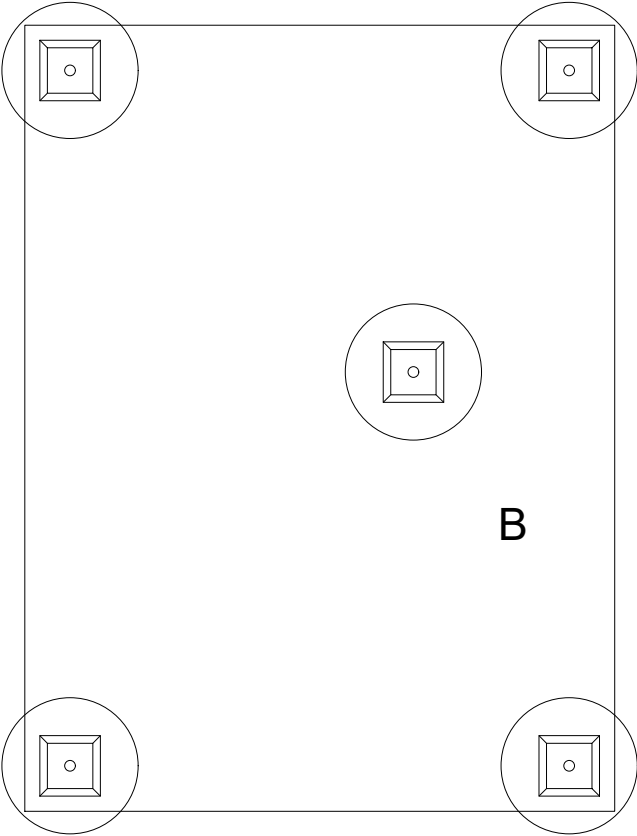
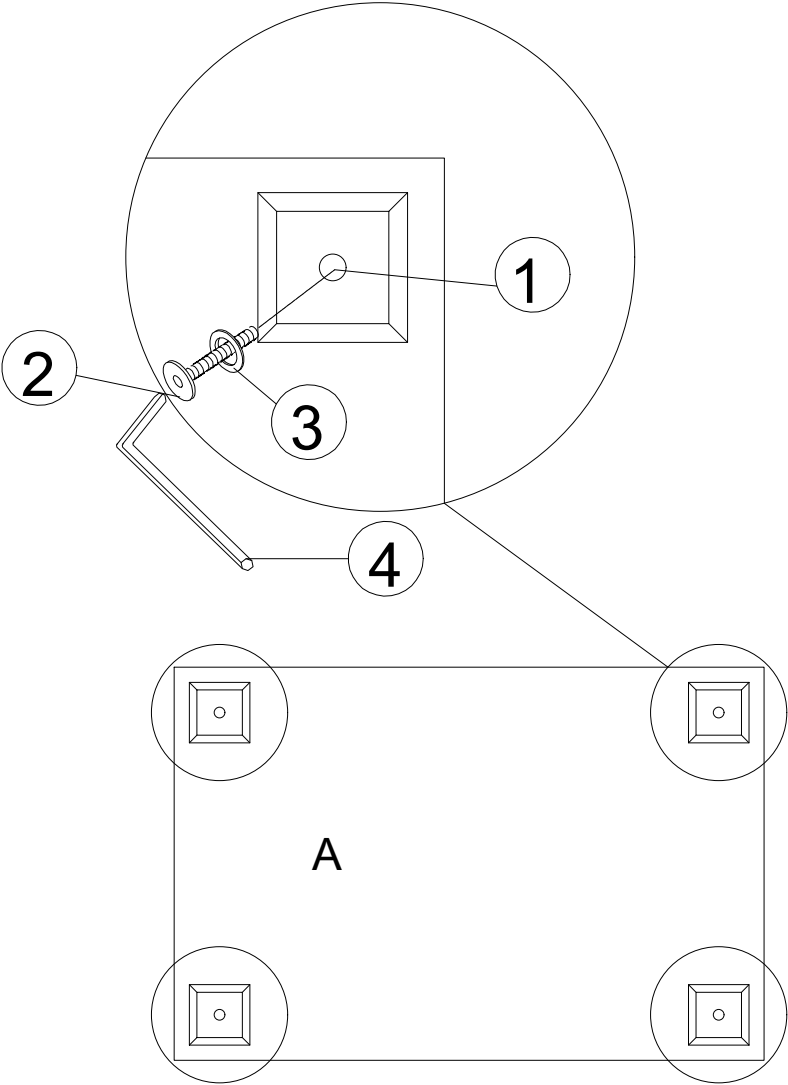


BOX -C HARDWARE LIST

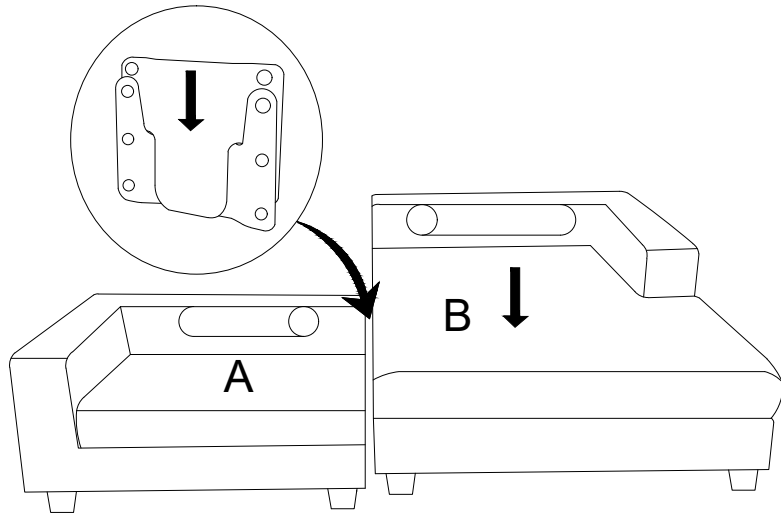


Unpacking steps:
1. BOX-Chaise
2. BOX-2S

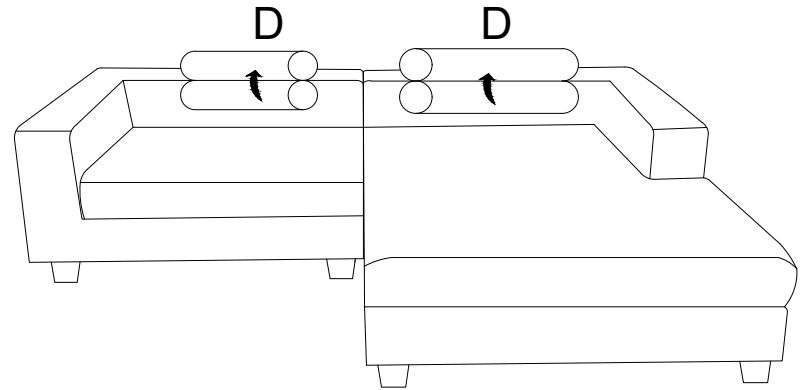
STEP 1:



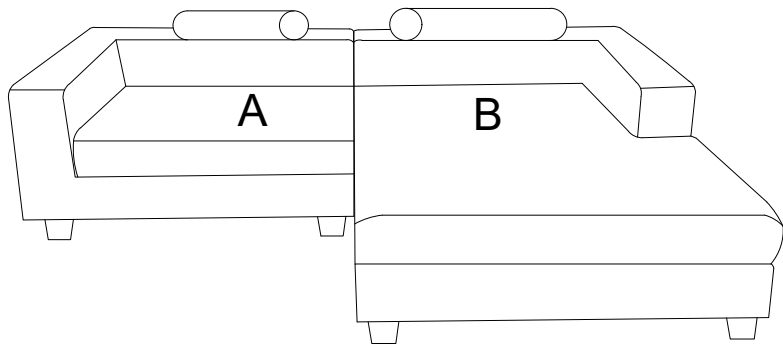
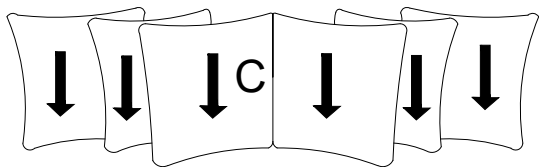
STEP 2:



STEP 3:



STEP 4:



Toll-Free number: 1-833-273-2277