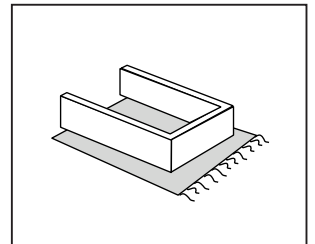
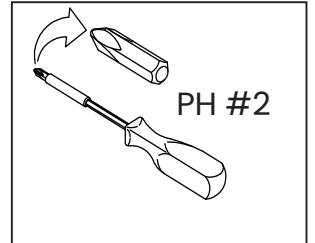
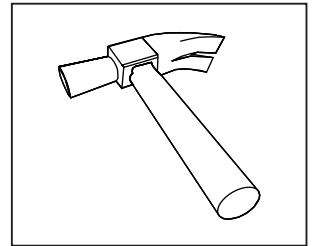
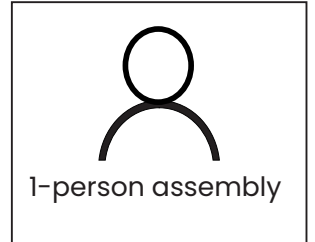
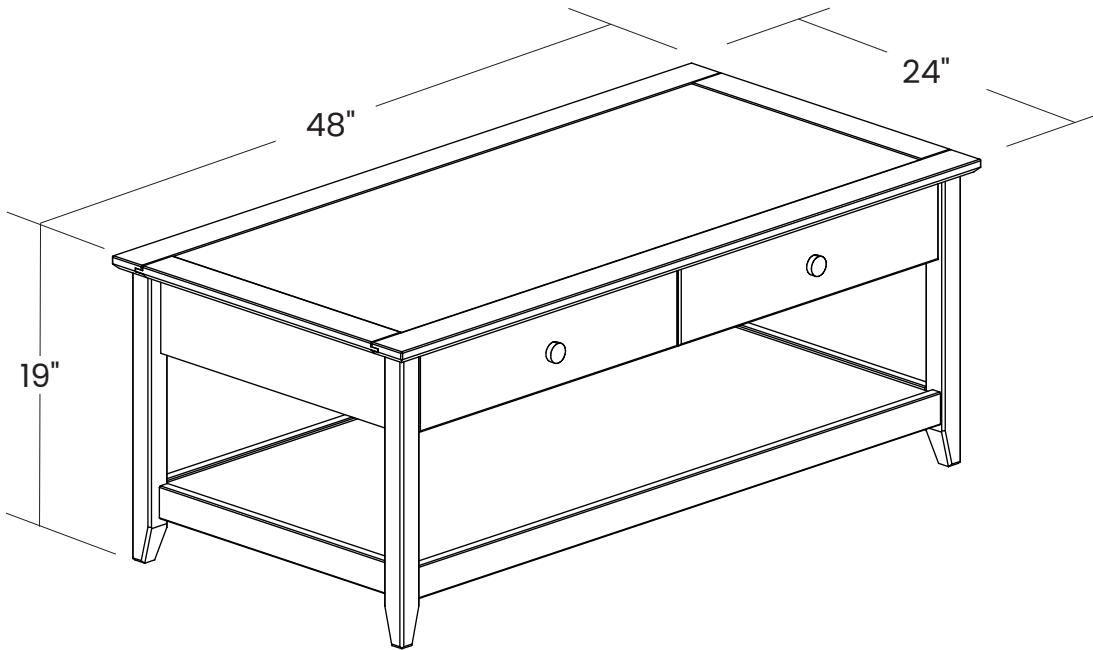


# Assembly Instructions



Model #	Finish
GP2303	Brushed White
GP2305	Brushed Walnut
GP2316	Brushed Driftwood

Thank you for choosing Grain Wood Furniture, it is an honor to be in your home!  
If you have any questions, feedback, or need replacement parts please contact us at:  
[grainwoodfurniture.com/help](http://grainwoodfurniture.com/help) or [support@grainwoodfurniture.com](mailto:support@grainwoodfurniture.com)

**Greenport Collection**  
**Coffee Table**

**GrainWood**  
FURNITURE.COM

## PLEASE READ BELOW BEFORE BEGINNING ASSEMBLY


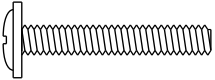
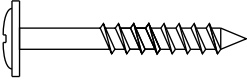
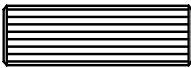

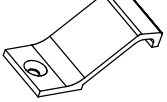


- Enlist help from a friend or family member as most items require two people for proper assembly.
- Choose a spacious, open area near where the piece will be located once assembled. It is easier to move parts than to relocate the furniture after it is fully assembled.
- Do not throw away packaging material until assembly is complete.
- Assemble the item on a soft surface, such as cardboard or an old blanket in order to protect the finish from possible dents or scratches.
- Lay out the parts in order and count them twice. In case any parts are missing or damaged, document the problem with pictures and contact support so we can make it right.
- Solid wood furniture may present imperfections such as wood knots, minor splits or cracks which are a natural aspect of the material. Whenever stability of the furniture is not compromised, we recommend customers perform cosmetic touch-ups with wax crayon fillers sold at all major hardware stores.
- It is best to use the tools provided in the box, such as a hex key, because they may be specially sized for the piece of furniture.
- We do not recommend the use of power drills as they can damage your furniture if not used correctly.
- Use a carpenter's square or hardcover book to check angles when assembling drawers and doors. If they are not at 90 degrees, they will not close properly.
- If you have any problems, we are here to help. Just go to [grainwoodfurniture.com/help](https://grainwoodfurniture.com/help).
- See [grainwoodfurniture.com/care-guide](https://grainwoodfurniture.com/care-guide) for suggestions that will help your furniture last for years.



[grainwoodfurniture.com/assembly-troubleshooting](https://grainwoodfurniture.com/assembly-troubleshooting)

**Enjoy your 100% solid wood furniture!**

# HARDWARE LIST

A4	 3,5x14	4
A25	 M4x25	2
A41	 4,0x30	47 + 3
C2	 8,0x25	43 + 3
D34		1
D53		2
G16	 20x20	4
H11		2



## ATTENTION

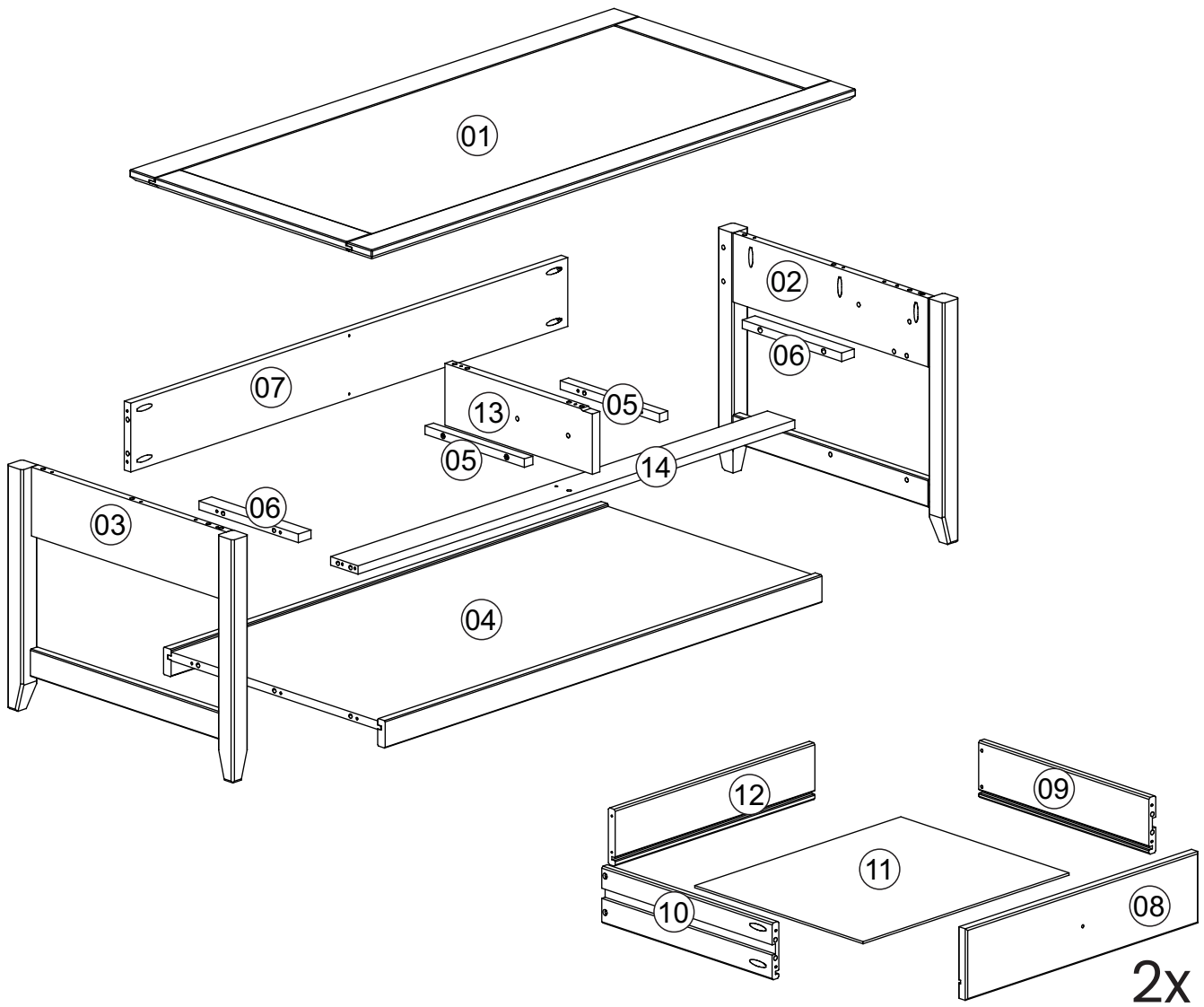
Before starting assembly  
please verify the hardware  
set is complete.

For missing hardware please  
contact us at  
[grainwoodfurniture.com/help](http://grainwoodfurniture.com/help)

### WARNING:

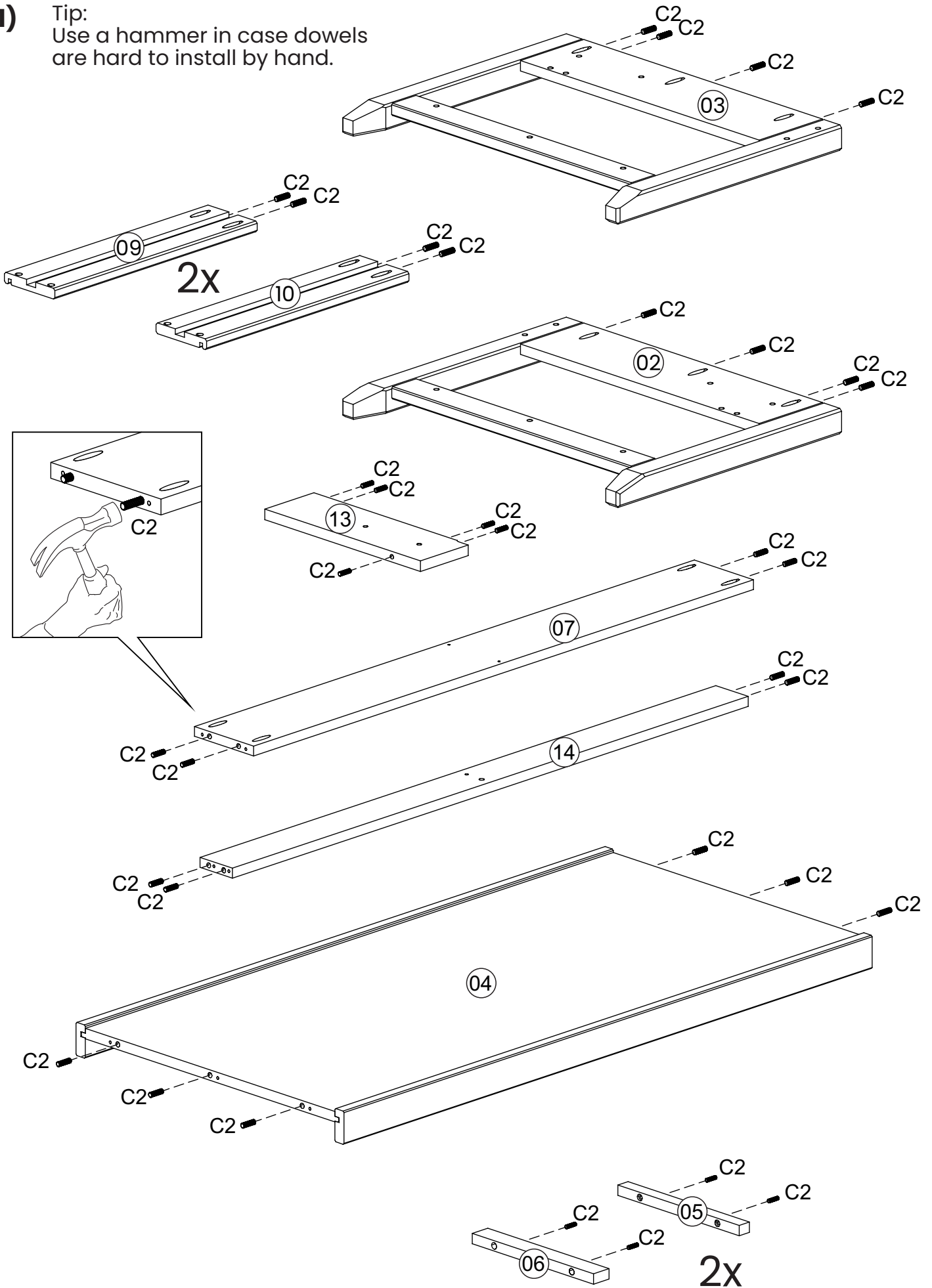
#### CHOKING HAZARD


Small parts, not for children.  
To be assembled by an adult.



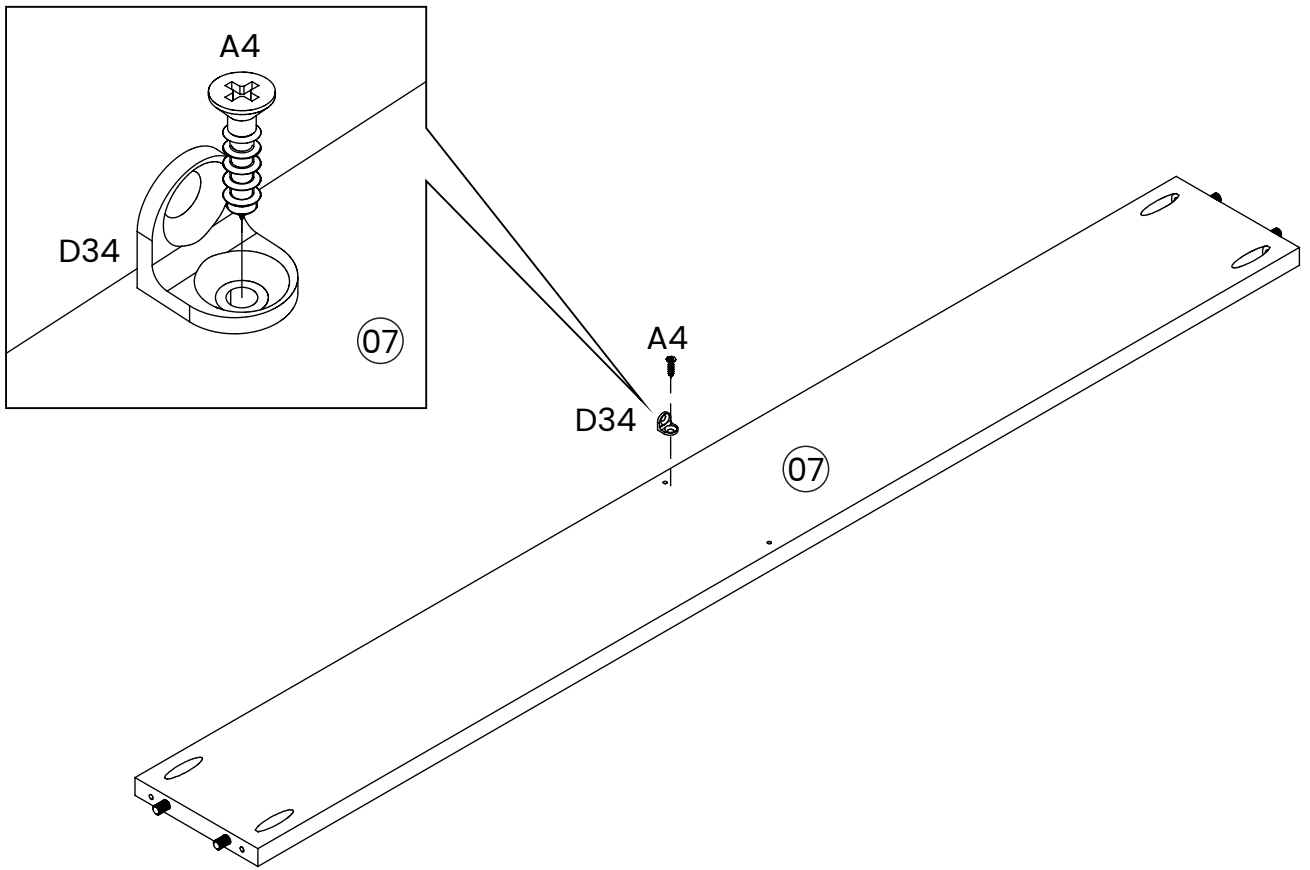
BOX		
Part #	Description	Qty.
01	Top	1
02	Right side	1
03	Left side	1
04	Base	1
05	Drawer Glides	2
06	Drawer Large Glides	2
07	Back panel	1
08	Drawer front	2
09	Drawer right side	2
10	Drawer Left side	2
11	Drawer bottom	2
12	Drawer back	2
13	Division	1
14	Lower crosspiece	1
HW	Hardware	1


1) Tip:  
Use a hammer in case dowels  
are hard to install by hand.



C2		43
	8,0x25	

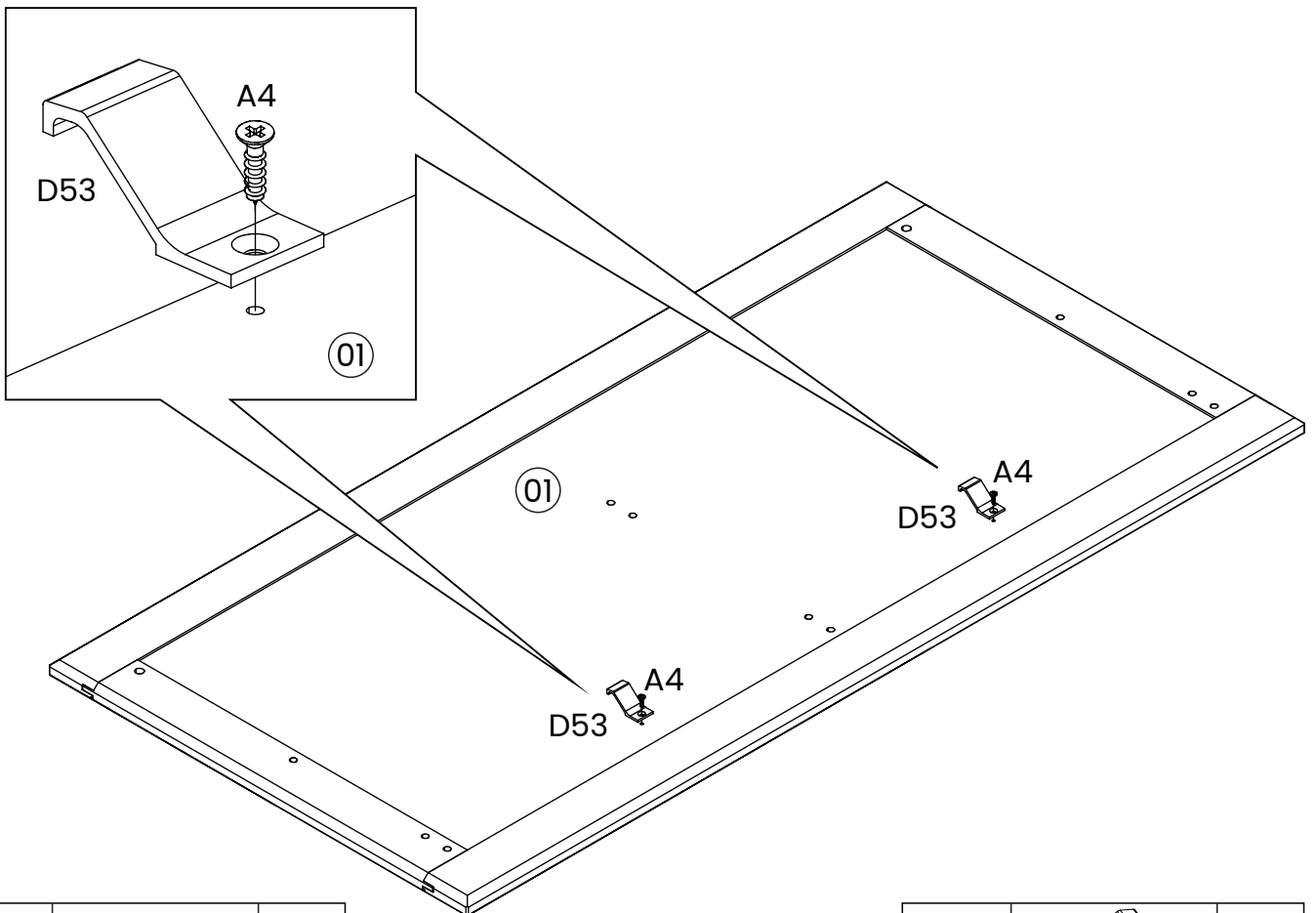
2)

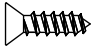


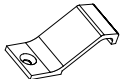
A4	 3,5x14	1
----	---	---

D34		1
-----	--	---

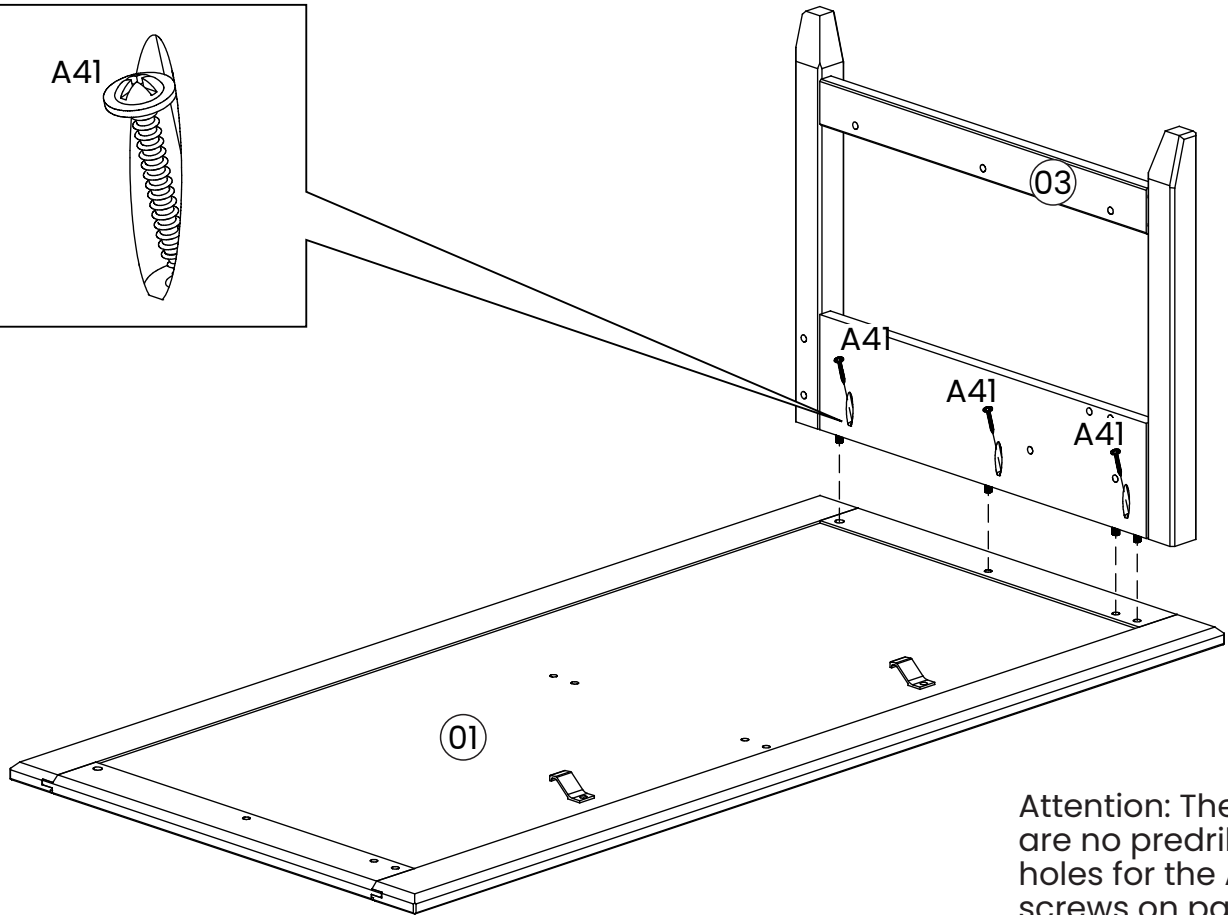
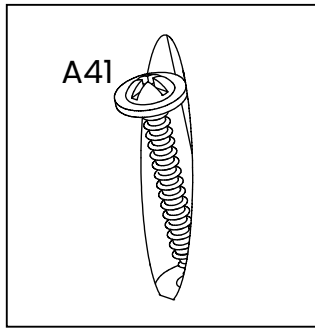
3)



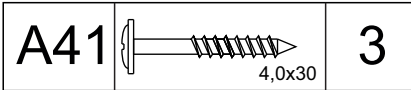
A4	 3,5x14	2
----	---	---

D53		2
-----	---	---

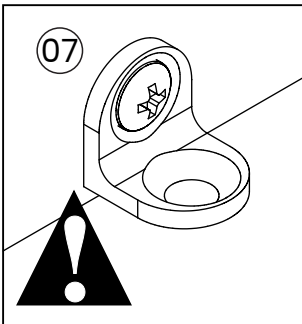
4)



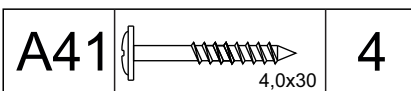
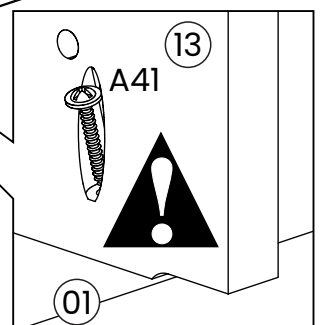
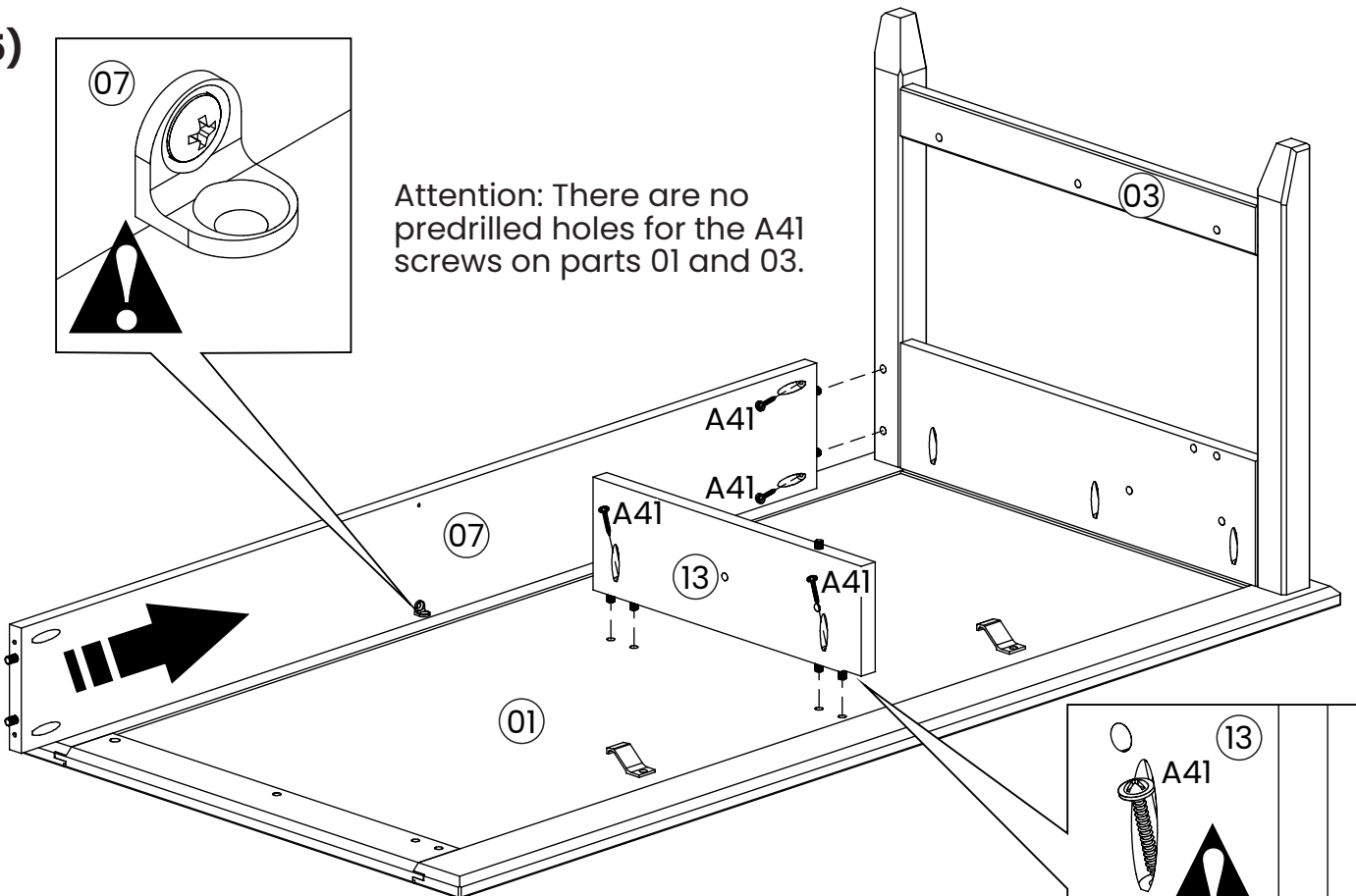
Attention: There are no predrilled holes for the A41 screws on part 01.



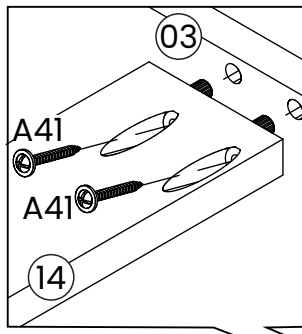
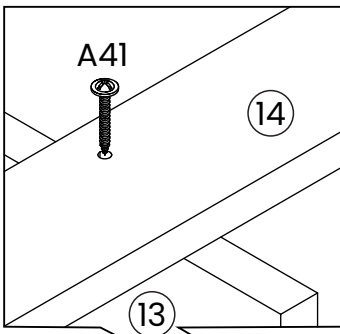
5)



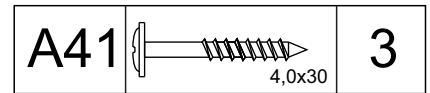
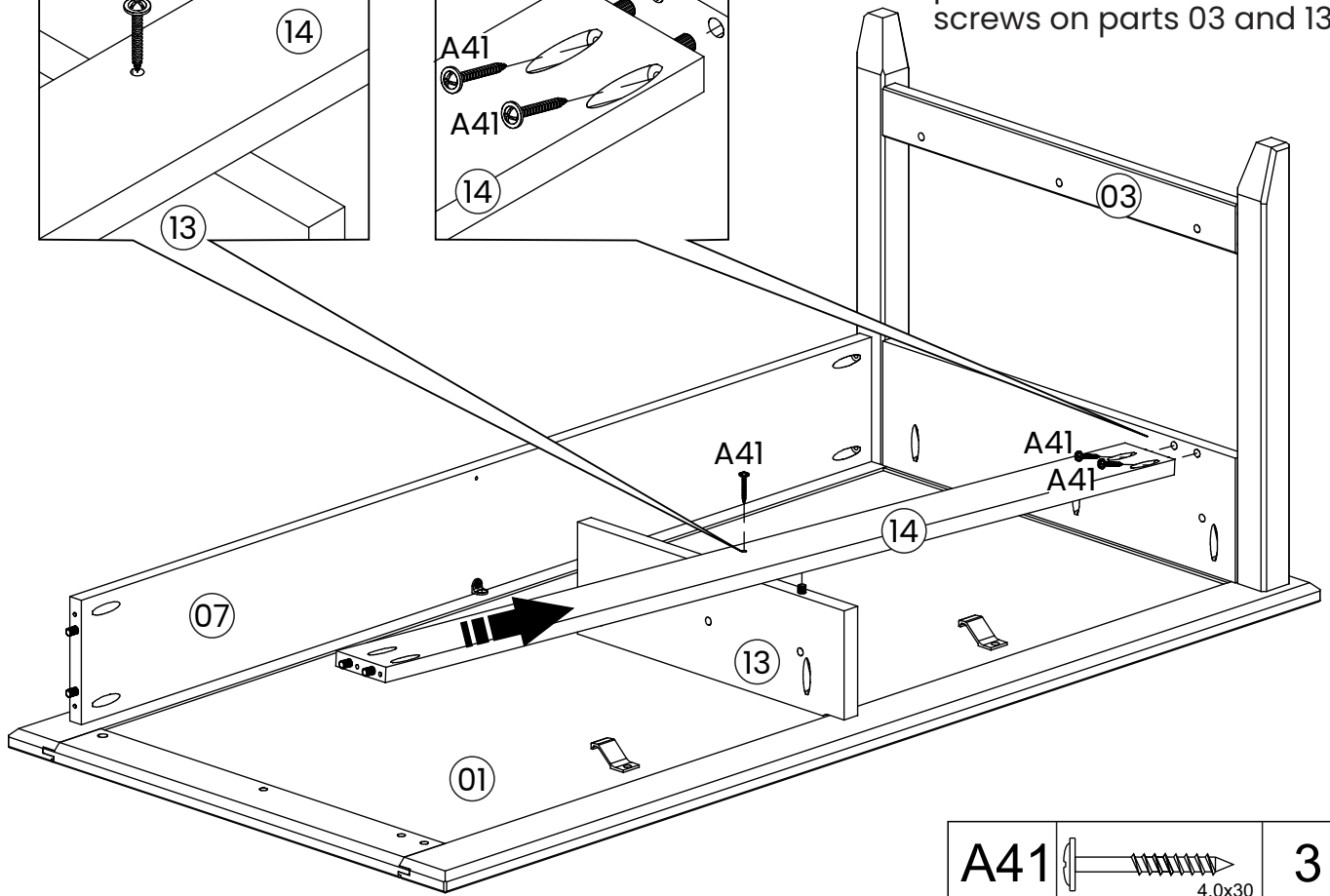
Attention: There are no predrilled holes for the A41 screws on parts 01 and 03.



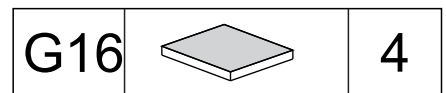
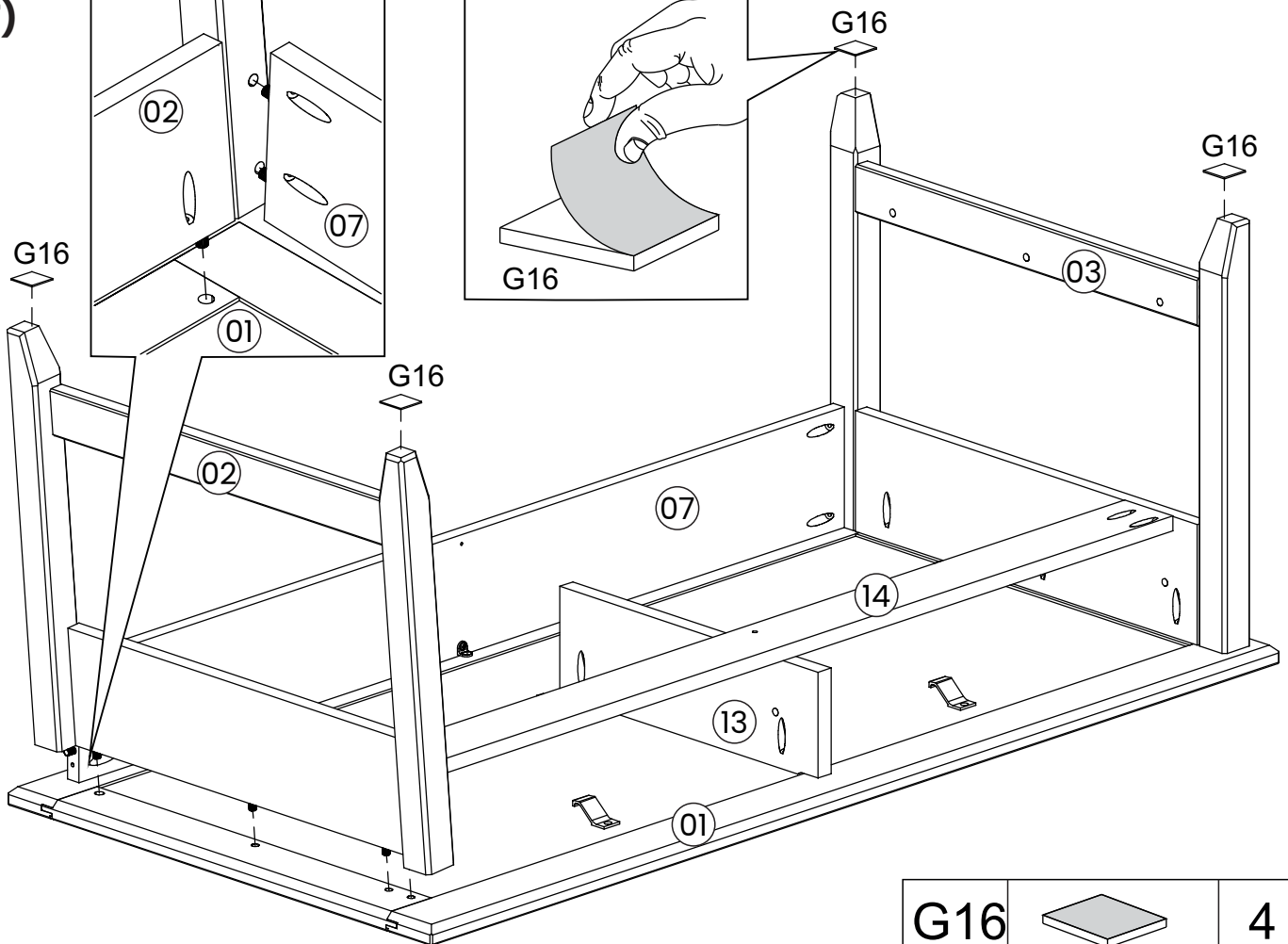
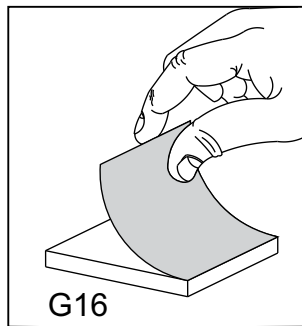
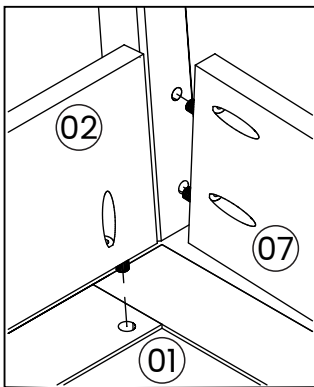
6)



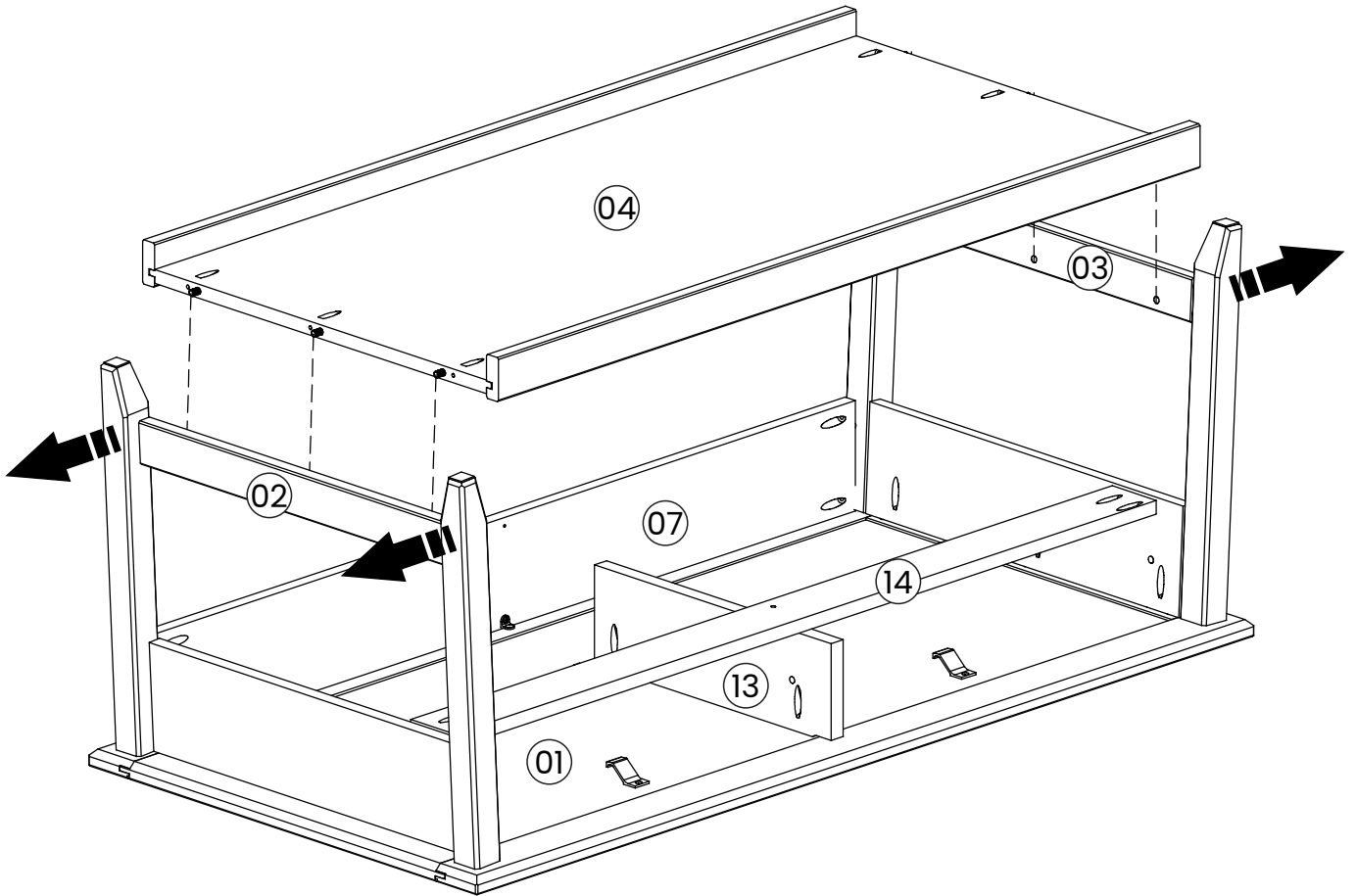
Attention: There are no predrilled holes for the A41 screws on parts 03 and 13.



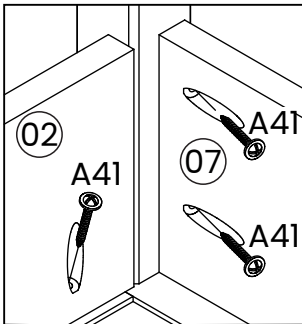
7)



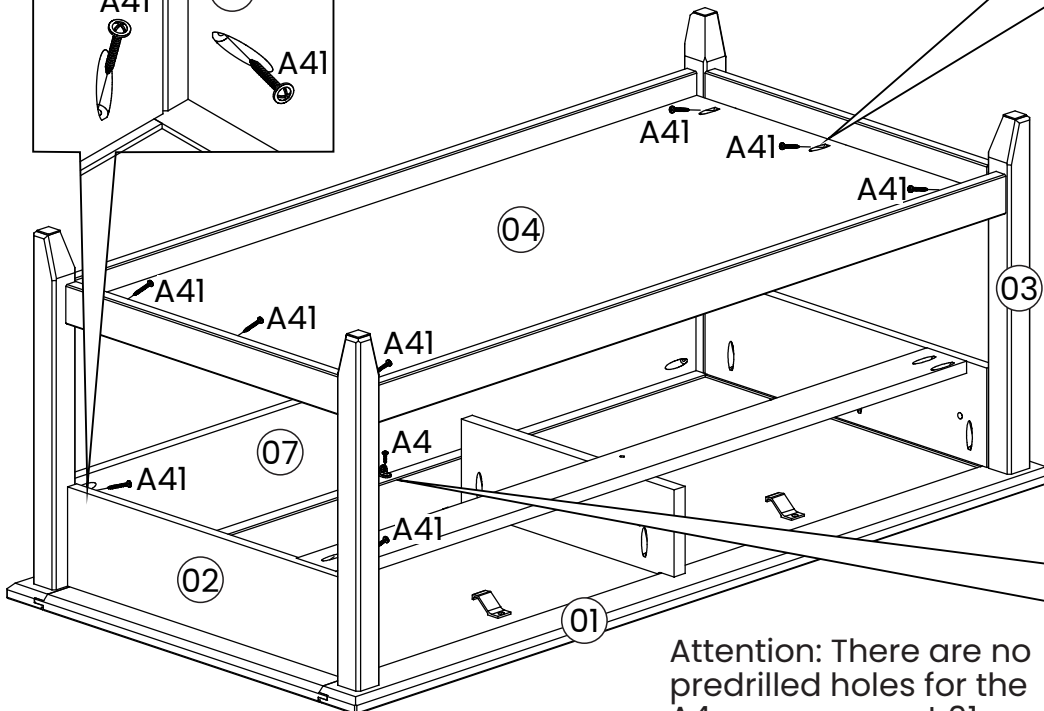
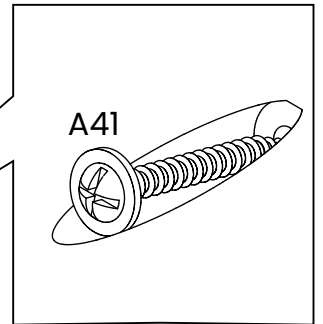
8)



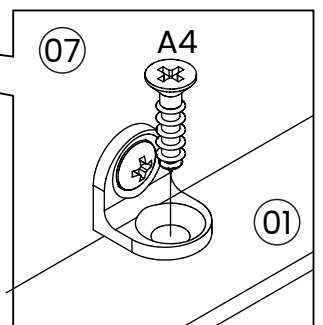
9)

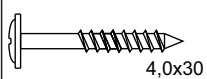
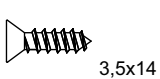


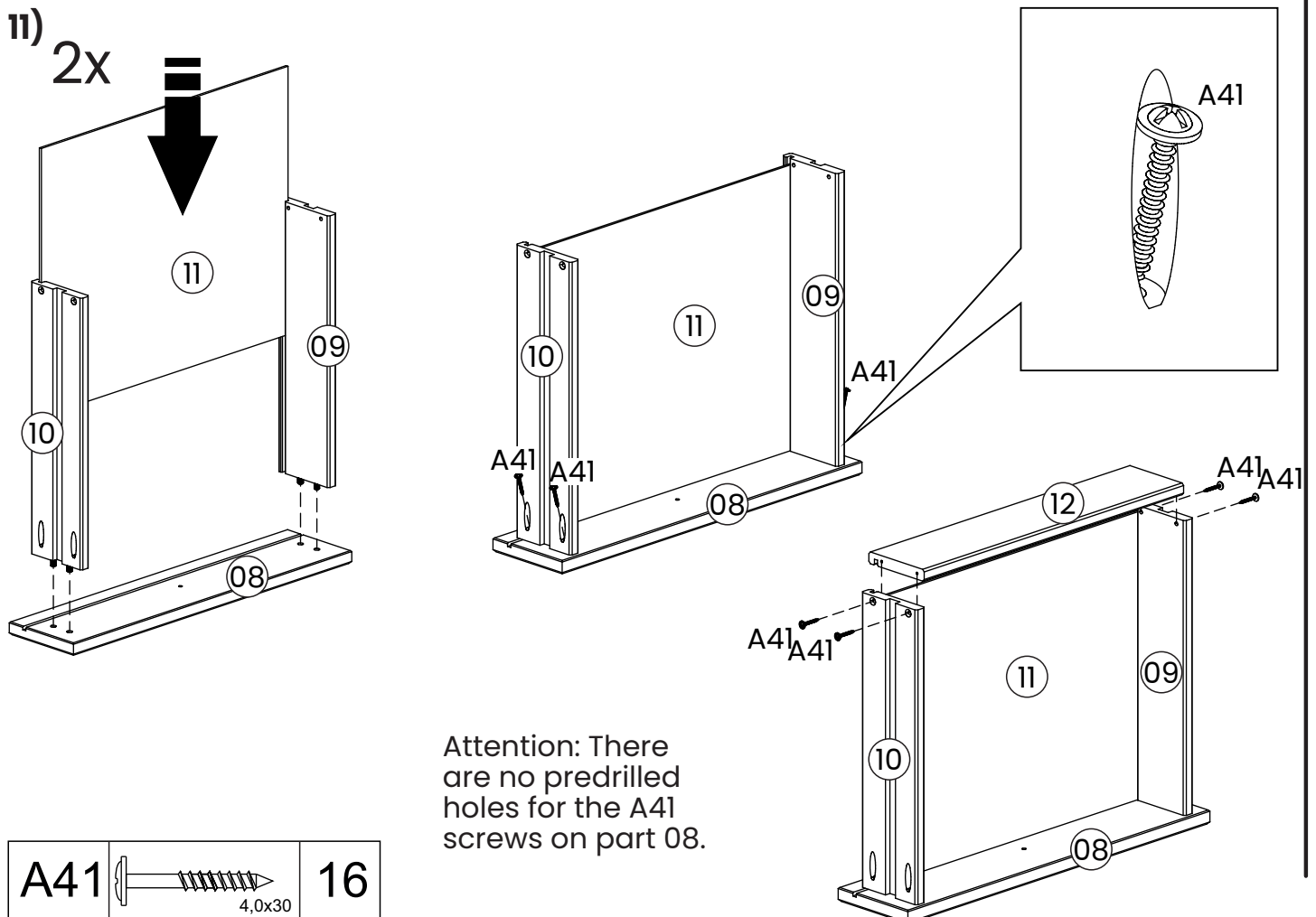
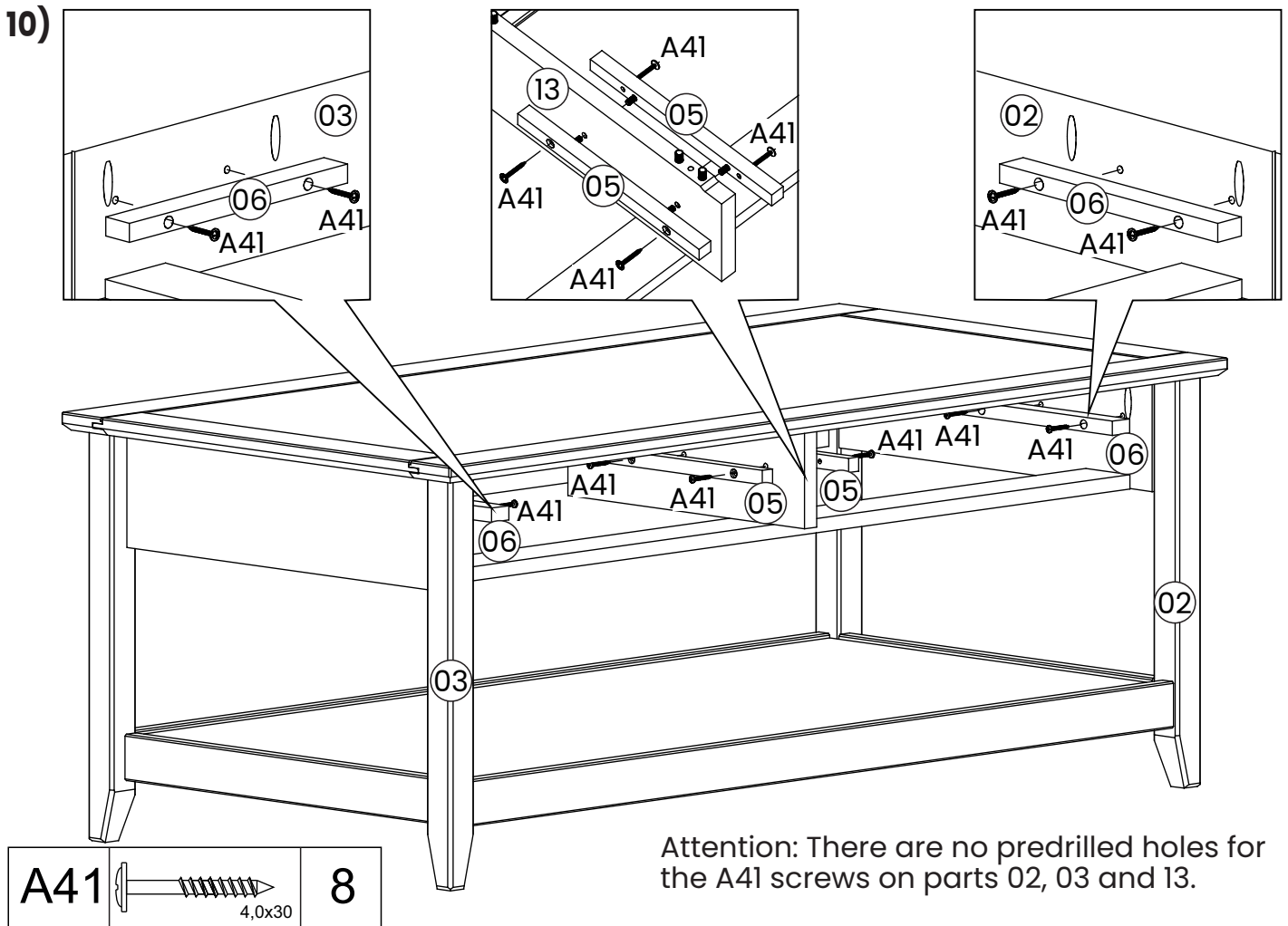
Attention: There are no predrilled holes for the A41 screws on parts 01, 02 and 03.



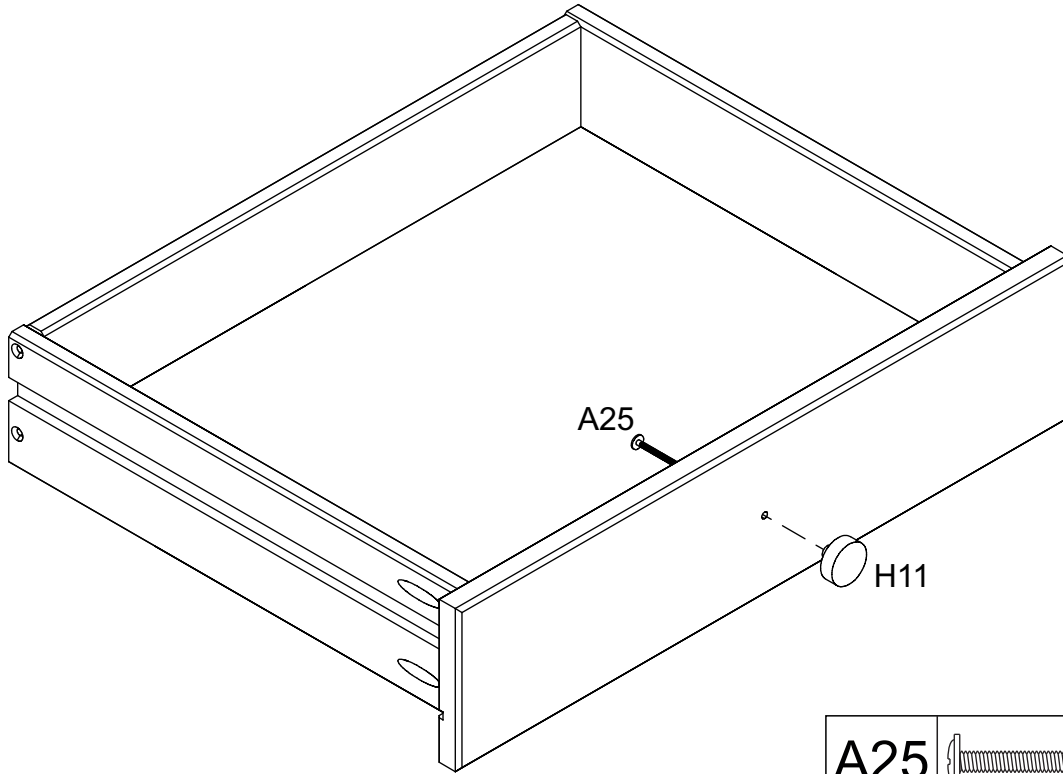
Attention: There are no predrilled holes for the A4 screw on part 01.





A41		13	A4		1
	4,0x30			3,5x14	



12)  
2x



A25		M4x25	2
H11			2

13)

