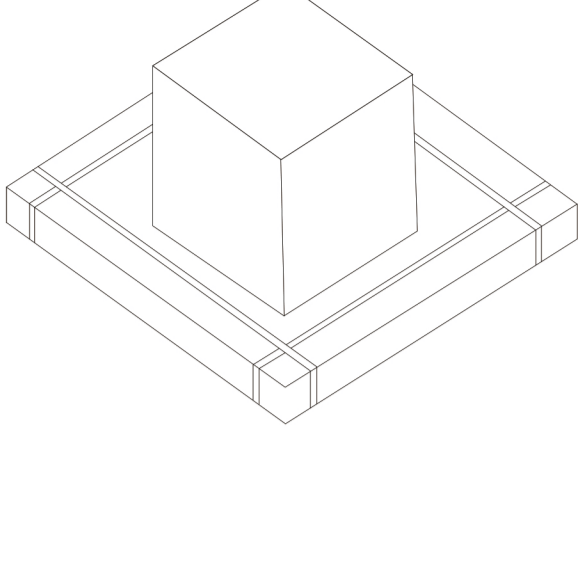
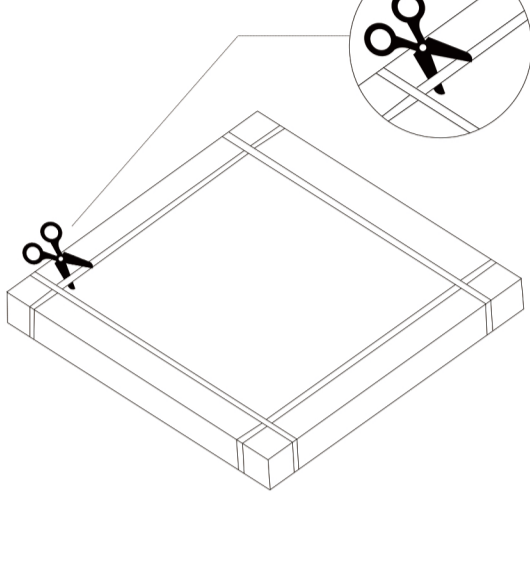


1



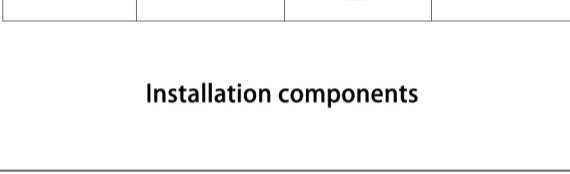
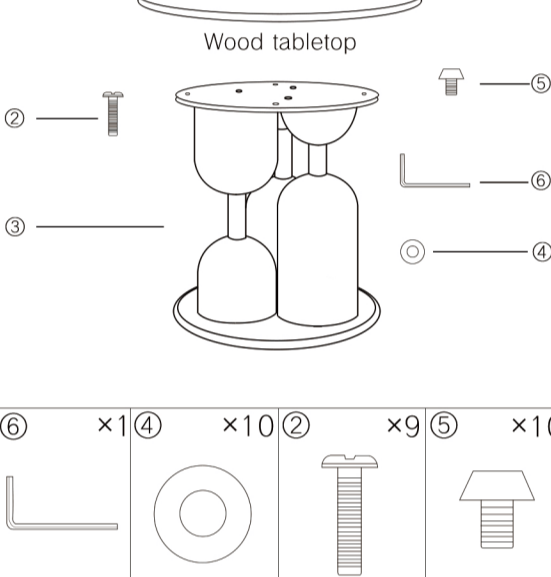
Upon receiving, please first inspect all packages. There are two packages in total, which include the tabletop, base(including the connecting plate).

2



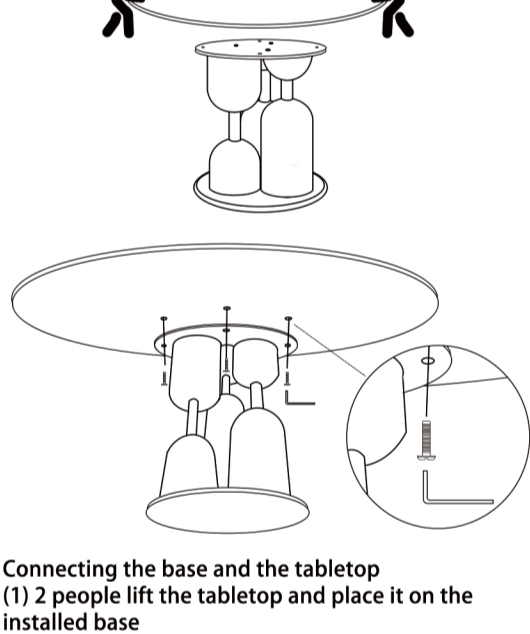
After verifying the number of packages and ensuring the product packaging is undamaged, you may proceed to open the packages. Cut off the PP belt with scissors and open the packaging box directly. Please check the sample picture.

3



Installation components

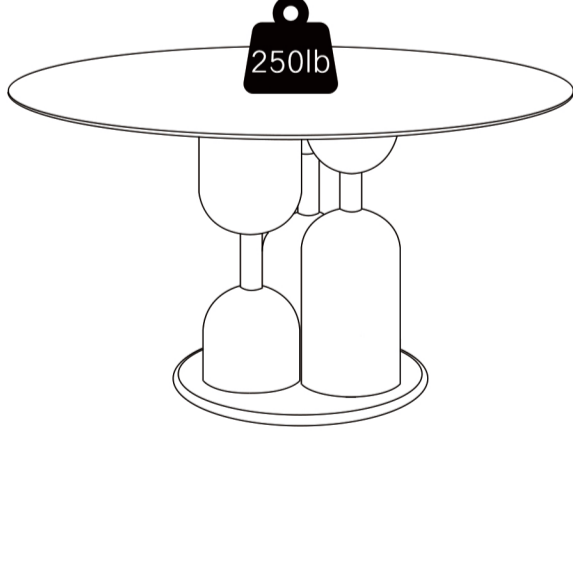
4



Connecting the base and the tabletop
 (1) 2 people lift the tabletop and place it on the installed base
 (2) Match the hole positions of the tabletop and the connecting plate.
 (3) Squat and tighten the screws corresponding to the holes on the tabletop.
 Tips: If the bottom of the table is too dark, it is recommended to use a flashlight to illuminate the holes to help complete the assembly.

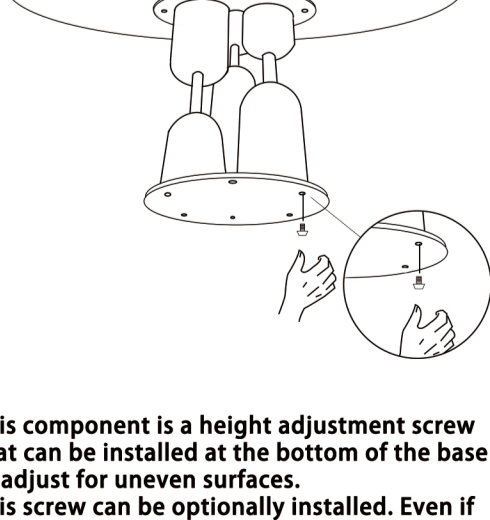
5

Installation Complete



6

Height adjustment screws usage instructions



This component is a height adjustment screw that can be installed at the bottom of the base to adjust for uneven surfaces. This screw can be optionally installed. Even if it is not installed, it will not affect the functionality of the product.