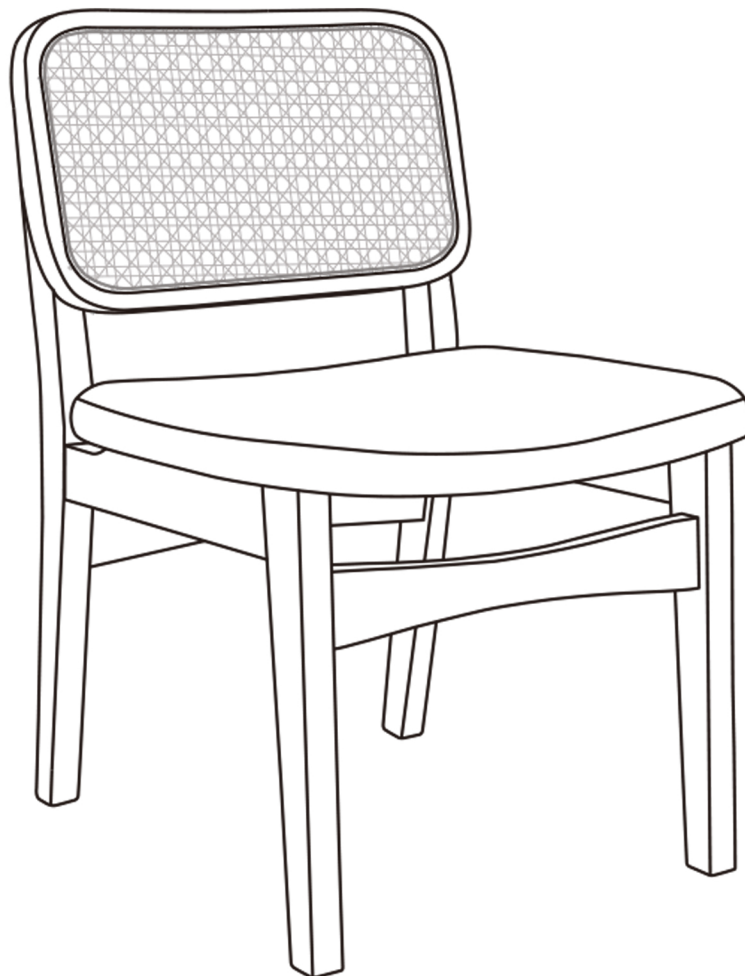


DINING CHAIR

ASSEMBLY INSTRUCTIONS



**Need help? Contact us through the shopping platform.
Or email: service.furniture@outlook.com**

HALF HOUR
ASSEMBLY TIME

2 PEOPLE
REQUIRED FOR ASSEMBLY

1 X 1 M
FLOOR SPACE REQUIRED

INSTALLATION SUGGESTIONS

PLEASE READ ALL THE INSTRUCTIONS CAREFULLY BEFORE ASSEMBLING AND USING THE PRODUCT.


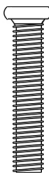






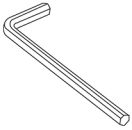
1. Please check whether all parts are complete according to the installation instructions.
2. Please ensure that the installation space is clean and flat to avoid dirt and damage to the product parts.
3. In each step, do not tighten bolts/screws completely until all bolts/screws are lined up and tightened 70% separately. Do not over tighten bolts/screws to avoid stripping.
4. We recommend that all assembled parts should be placed near the assembly location to avoid loss or forgetting while assembling.

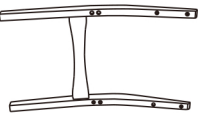



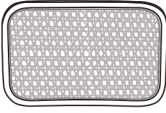
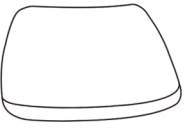
TIPS FOR GIVING FEEDBACK

Please provide helpful information. We will give you feedback within 24h.

1. Describe your problem in detail and explain it with some clear multi-angle photos of the problem area.
2. Send your order ID and the letter number and quantity of the part in question from the parts list.
3. A clear photo of the side of the box that has the product information or the label on the bottom of the cushion.

PARTS AND HARDWARE LIST

| | | | | | | | | |
|---|---|---|---|---|---|---|---|---|
|  |  |  |  |  |  |  |  |  |
| M8*65mm A*4 | M8*50mm B*2 | M6*55mm C*4 | M6*35mm D*4 | M6*16mm E*4 | M8*15mm F*4 | G*2 | H*1 | I*1 |

| | | | | | |
|---|---|---|---|---|---|
|  |  |  |  |  |  |
| J*1 | K*1 | L*1 | M*1 | N*1 | O*1 |

ASSEMBLY STEPS

Assembly tips: Just tighten the screws to 70% before all the screws are aligned. After all screws are aligned, tighten all screws.

STEP 1.
Use screws (B*2) to secure the wood rod (L & M) to the leg (K) as shown.

Tip: Make sure that the letter labels on the wooden poles correspond to the legs (K).

STEP 2.
Combine the legs (J) and wooden poles, then insert the nuts (F*4) into the bottom of the pre-drilled hole, and use screws (A*4) to pass through the legs (J) and tighten them to the nuts in the wooden poles.

Tip: Use a wrench to fully push the nut to the bottom of the hole, then rotate the nut until the hole in the nut aligns with the hole at the top of the wooden rod.

STEP 3.
Use screws (E*4) to attach the metal reinforcement plates (G*2) to the frame.

STEP 4.
Secure the seat cushion (O) to the frame with screws (C*4).

STEP 5.
Secure the backrest (N) to the frame using screws (D*4).

STEP 6.
Congratulations ! You have possessed an exquisite chair.

Tip: Keep the chair stable by rotating the adjustable foot pads.

WARRANTY TERMS & CONDITIONS

1. We provide warranty for the product for one year.
2. The warranty period starts on the delivery date.
3. If the product has quality problems, contact us and we promise we will solve it for you.

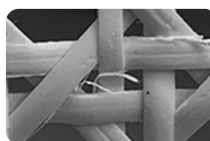
IMPORTANT NOTICE



Uneven Color



Splicing



Burrs

1. There will be slightly different shades of color on the surface for natural rattan products.
2. You may see a few burrs caused by fiber characteristics of rattan.
3. Splicing marks will inevitably appear during the weaving process for the length limitation.

Noticed that the above-mentioned issues are Non-quality problems. We will strive to reduce these issues in production, natural rattan exactly makes each of our products unique rather than plastic rattan!

RATTAN BACK MAINTENANCE

1. Dust the furniture gently and regularly with soft cloth.
2. Avoid prolonged sun exposure and excessive humidity.
3. Vacuum rattan furniture with the brush attachment.
4. Use damp cloth with a mild furniture cleaner, but not to soak it.
5. Treat the rattan with tung or boiled linseed oil and raise the humidity level of the space.