

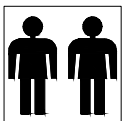
ASSEMBLY INSTRUCTION



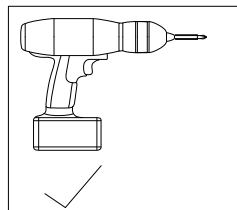
Please **TEAR OFF** this shrink film from side!
DO NOT USE CUTTER!

IMPORTANT NOTE

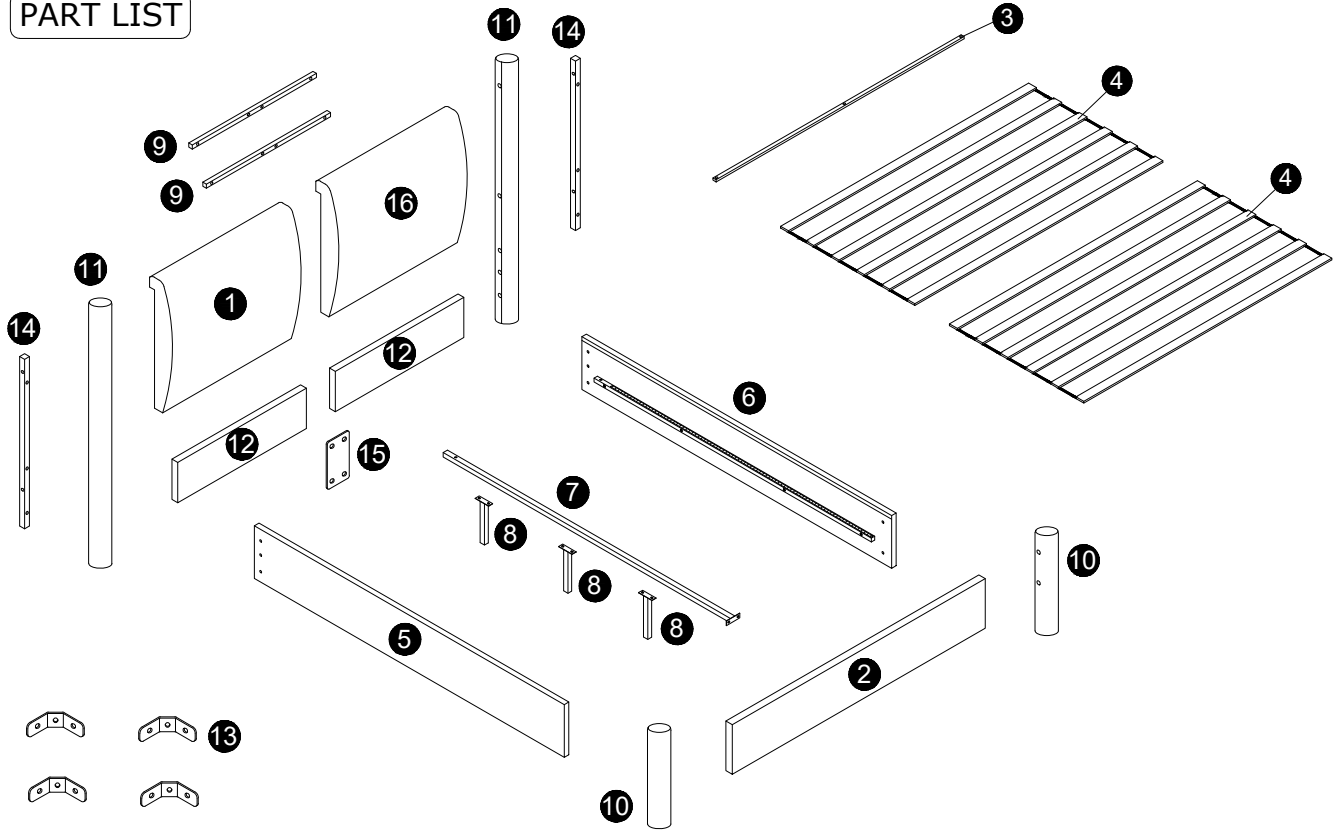
- 1. The product is shipped in two packages. Please check the number of packages received before assembly. If you are missing one package, receive a duplicate package, or have any assembly or after-sales issues**
2. For the protection of your furniture, place all parts on a clean and smooth surface to prevent any damage.
3. Keep fittings out of children's reach and keep children well away from construction area.
4. When moving your assembled bed, it is best to lift the bed and never to drag it.
5. Do not use this product if parts are missing, damaged or worn.
6. This product should only be used on firm, level ground.
7. Please periodically check all fittings and re-tighten as necessary.
8. Do not use the bed unless all bolts and screws are firmly secured.
9. For further assistance, please provide a screenshot of your order and contact us



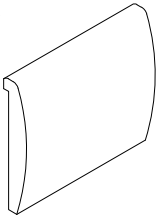
Minimum two
person assembly



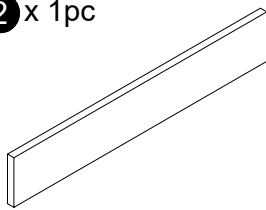
PART LIST



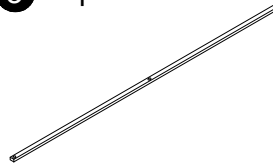
1 x 1pc



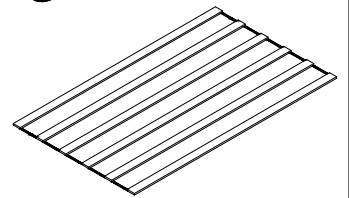
2 x 1pc



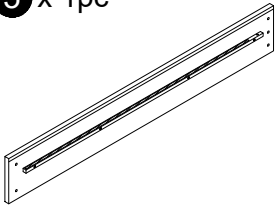
3 x 1pc



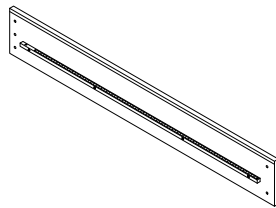
4 x 2pcs



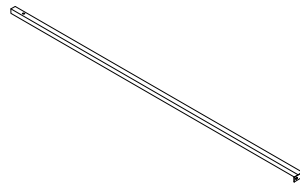
5 x 1pc



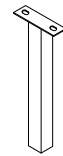
6 x 1pc



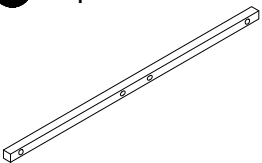
7 x 1pc



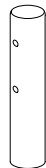
8 x 3pcs



9 x 2pcs



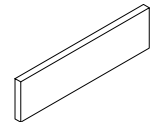
10 x 2pcs



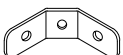
11 x 2pcs



12 x 2pcs



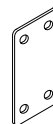
13 x 4pcs



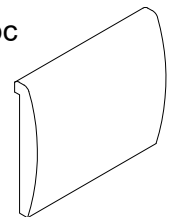
14 x 2pcs



15 x 1pc


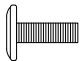
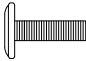


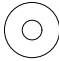



16 x 1pc

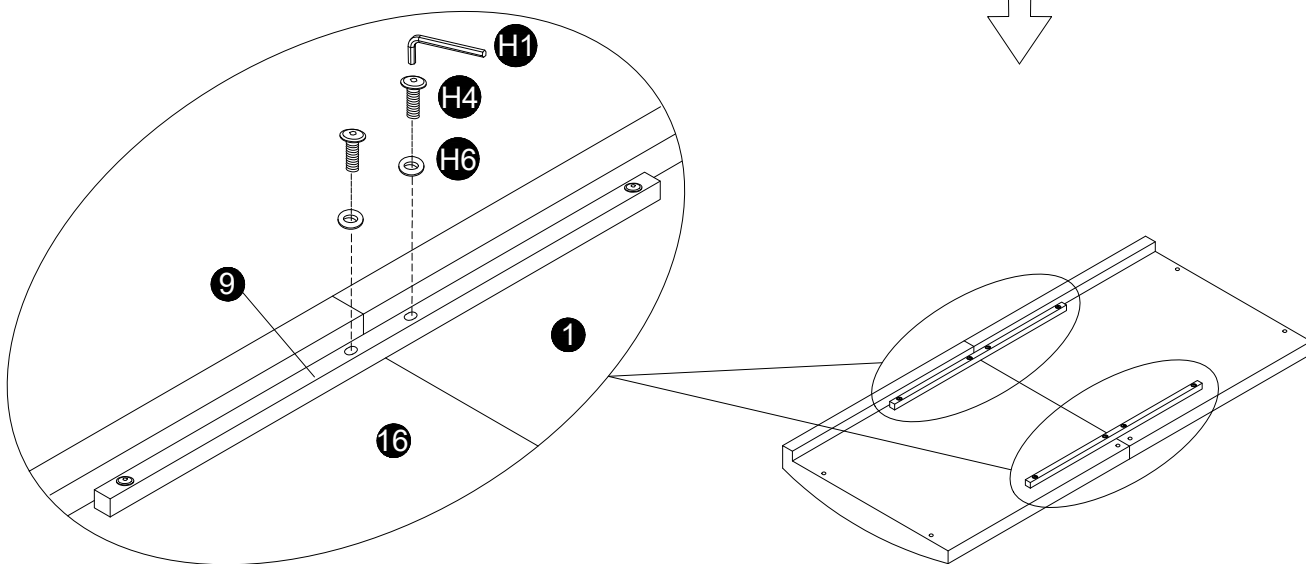
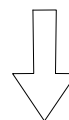
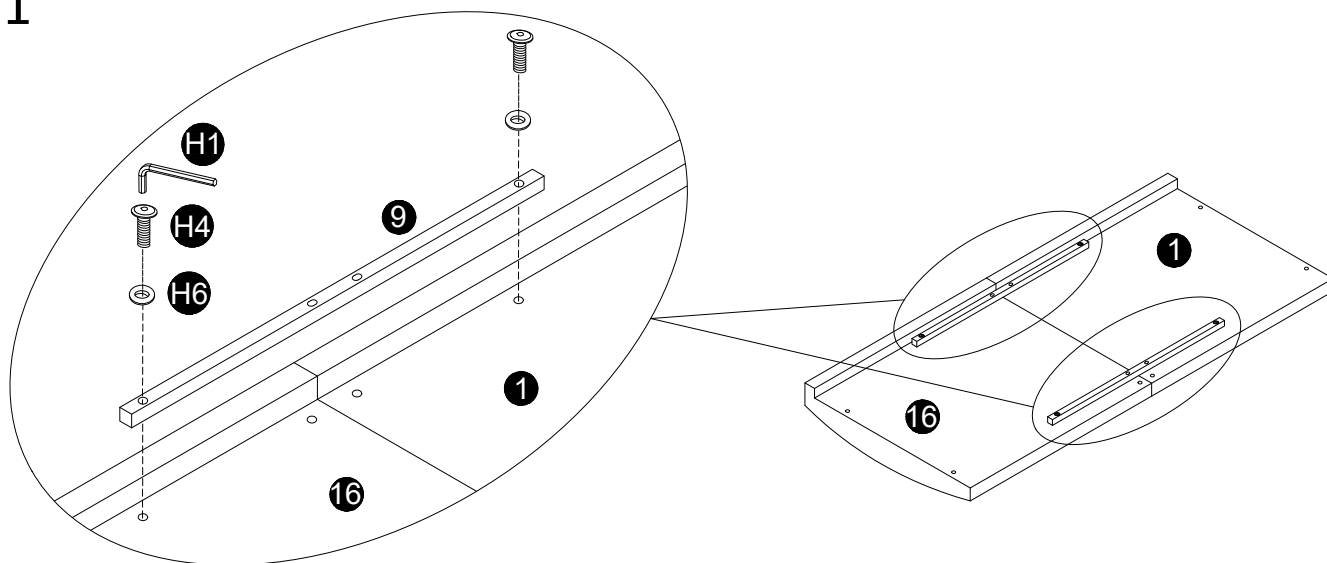


Please ensure to thoroughly inspect the small inner cardboard box containing the hardware, which are tied with a red string, before disposing of the box.

HARDWARE LIST

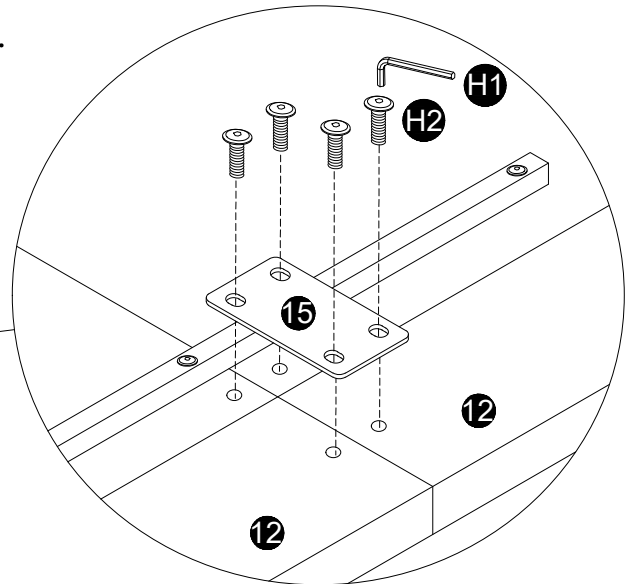
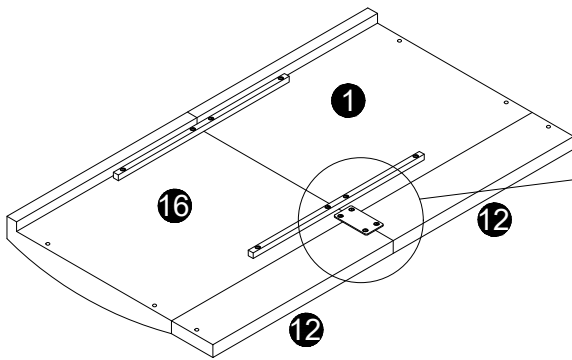
 H1 M5 x 1pc	 H2 M8x20mm x 12pcs	 H3 M8x30mm x 15pcs	 H4 M8x40mm x 14pcs
 H5 M8 x 22pcs	 H6 M8x22mm x 30pcs	 H7 M8x50mm x 10pcs	

1



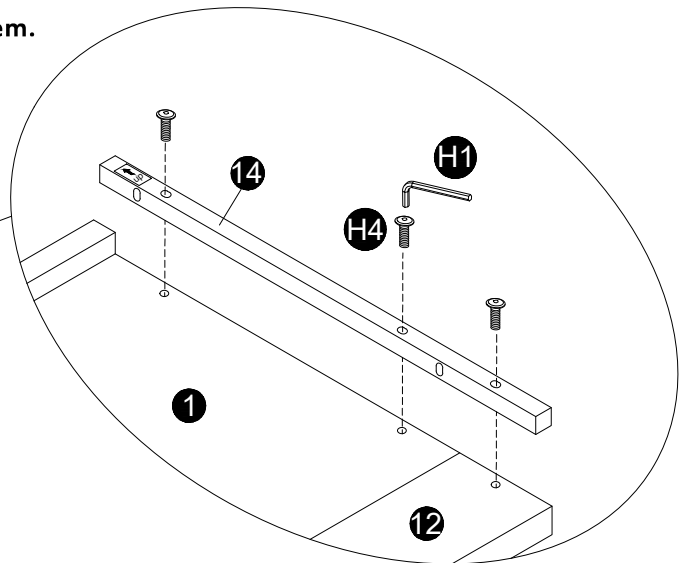
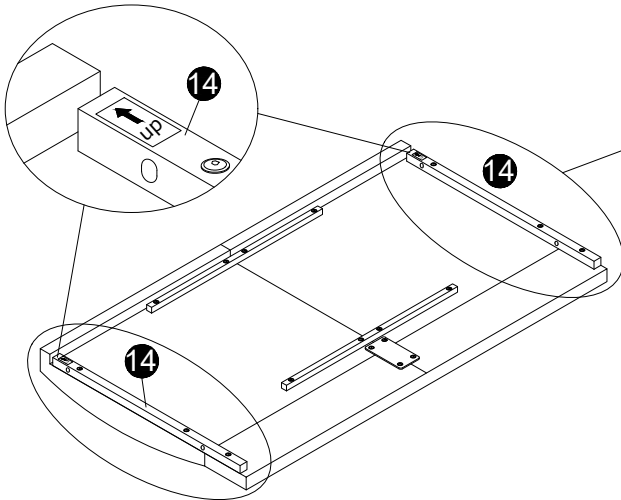
2

As shown in the diagram, align the screws with the corresponding holes and pre-fix them. Then, tighten each screw separately.

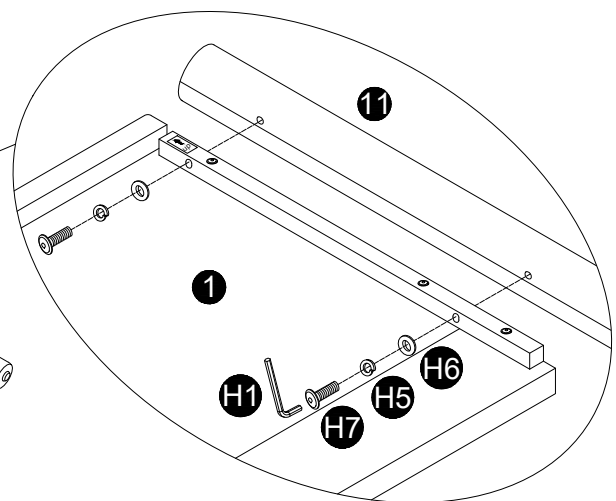
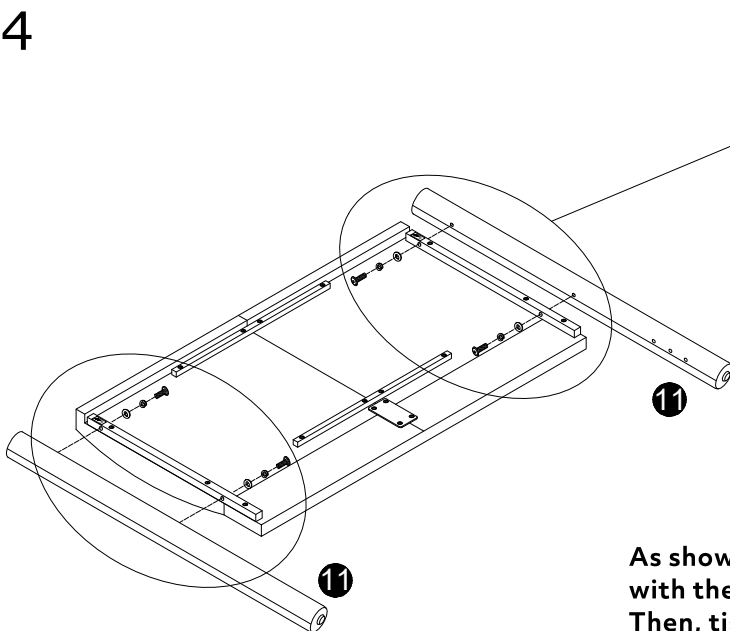


3

As shown in the diagram, align the screws with the corresponding holes and pre-fix them. Then, tighten each screw separately.

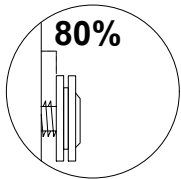
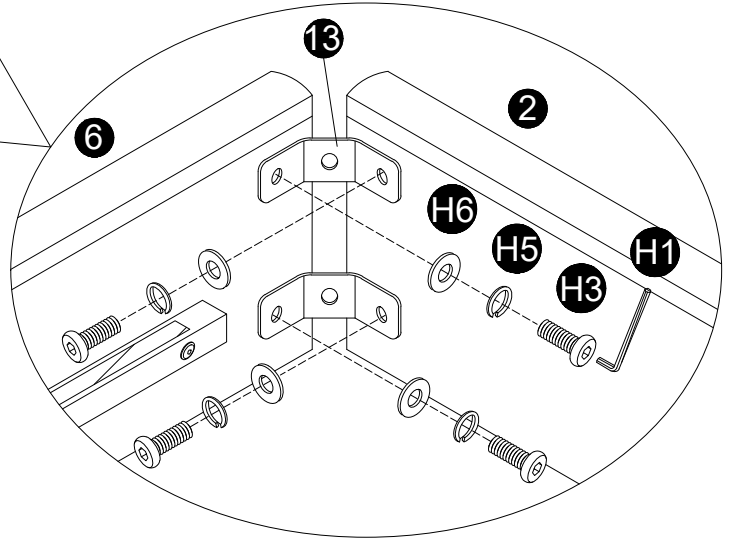
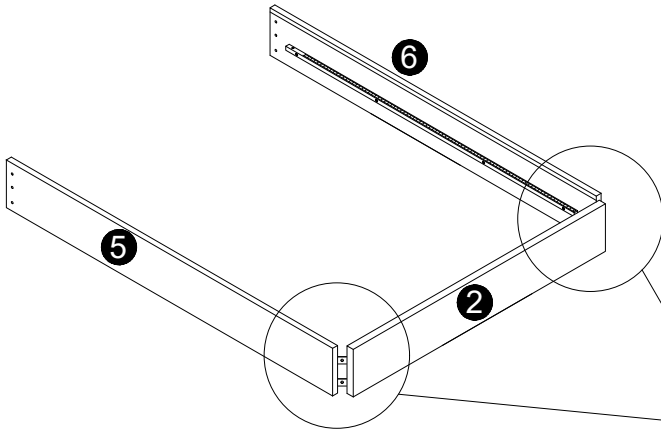


4



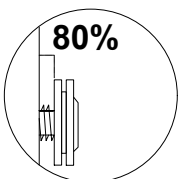
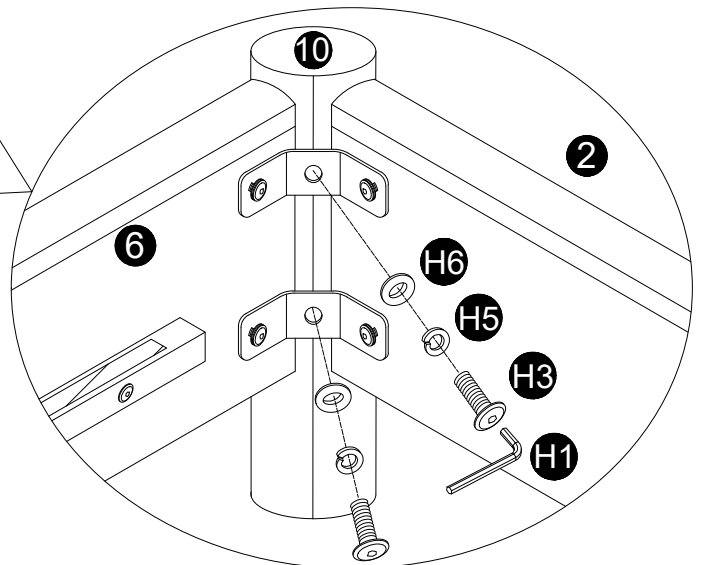
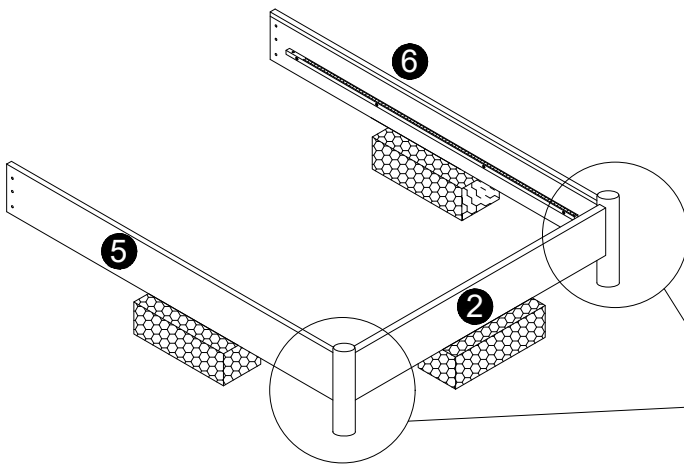
As shown in the diagram, align the screws with the corresponding holes and pre-fix them. Then, tighten each screw separately.

5



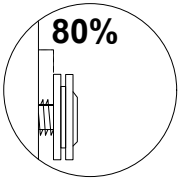
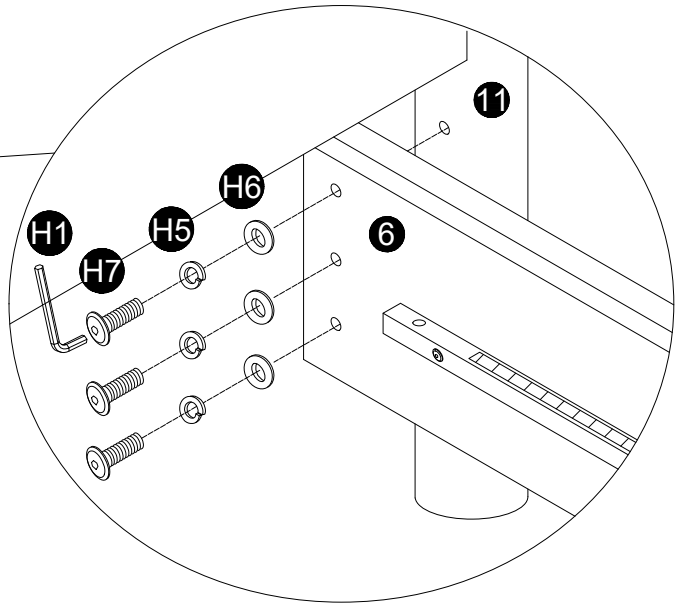
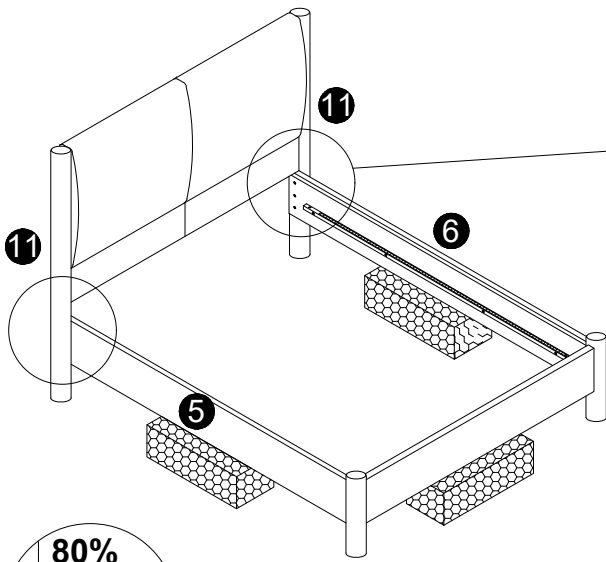
Do not fully tighten fixings!

6



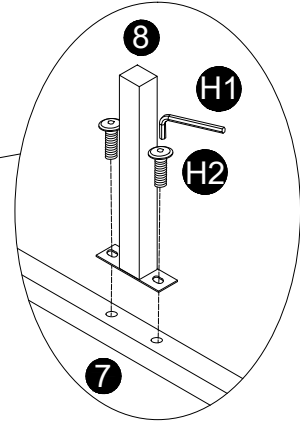
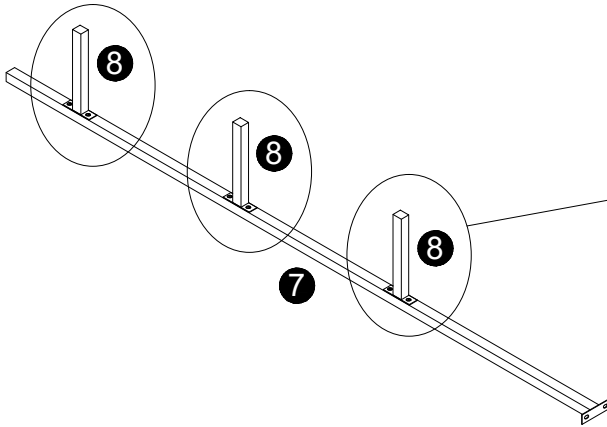
Do not fully tighten fixings!

7

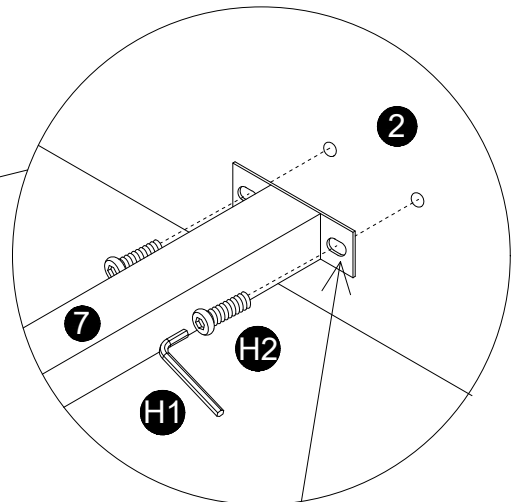
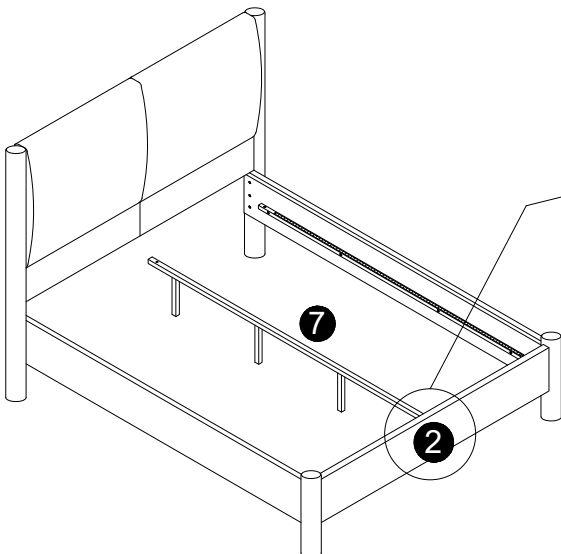


Do not fully tighten fixings!

8

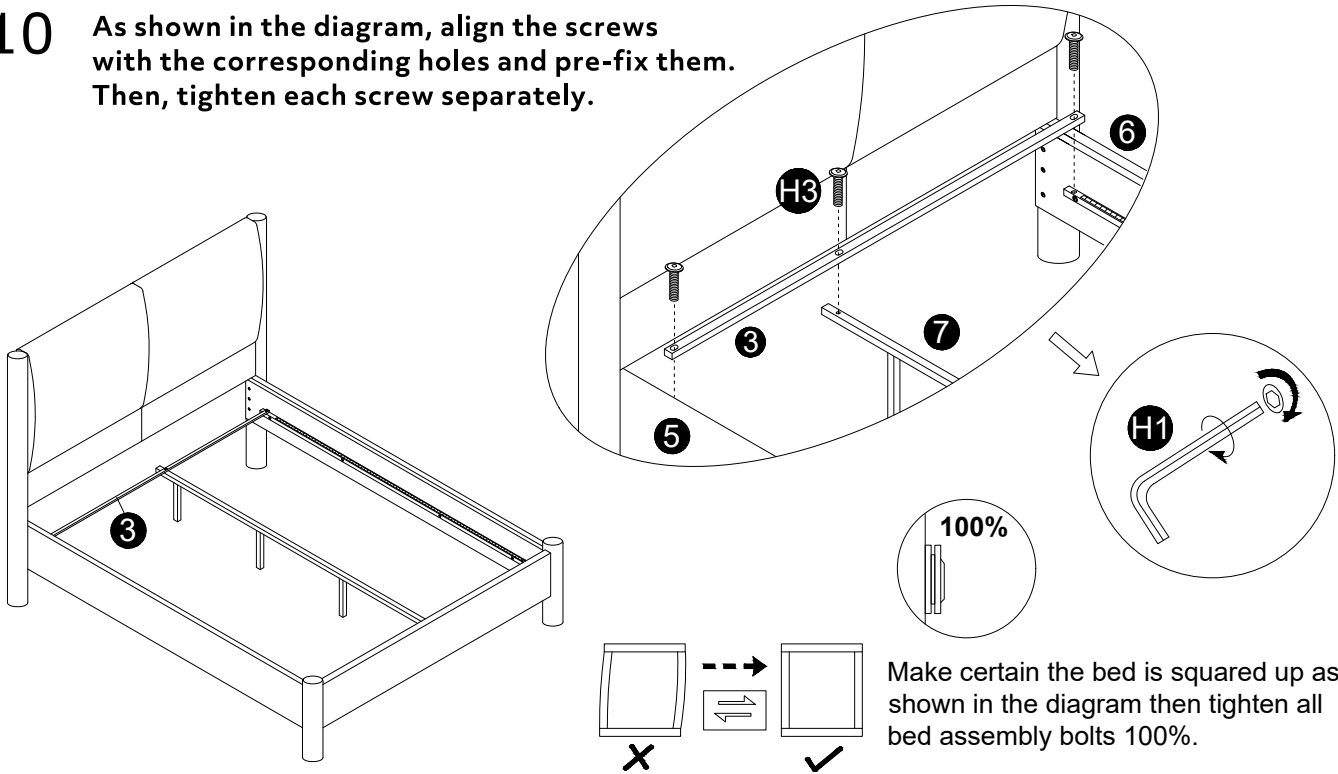


9



Bolts should be in center of long holes

10 As shown in the diagram, align the screws with the corresponding holes and pre-fix them. Then, tighten each screw separately.



11

