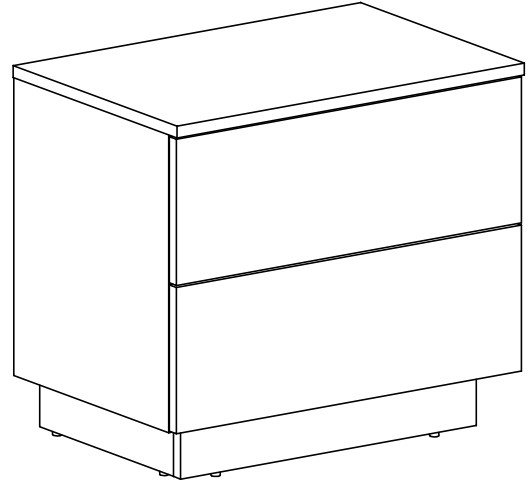
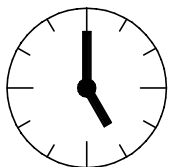
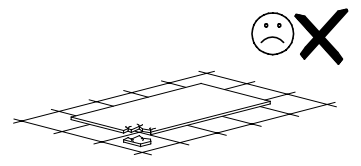
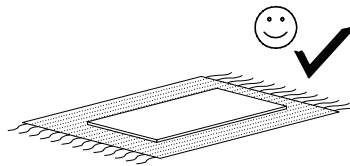
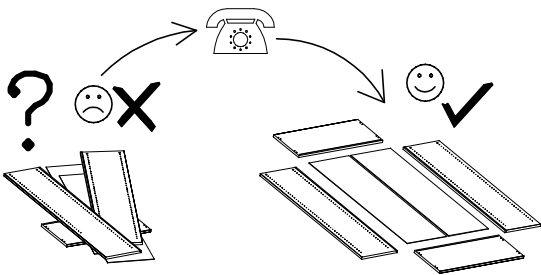
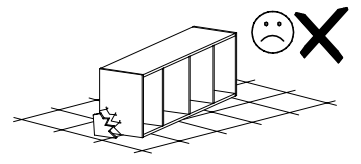
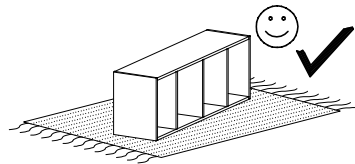
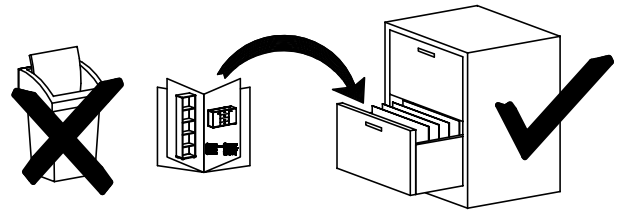
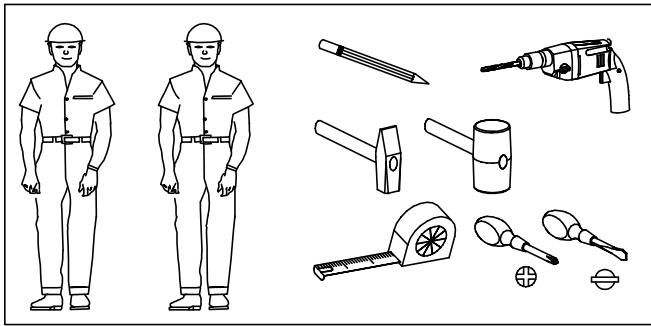


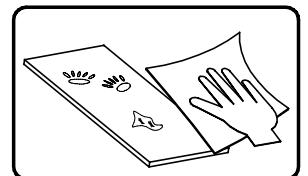
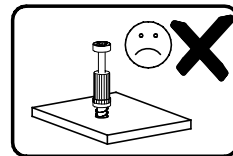
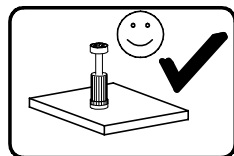
Installation & Assembly

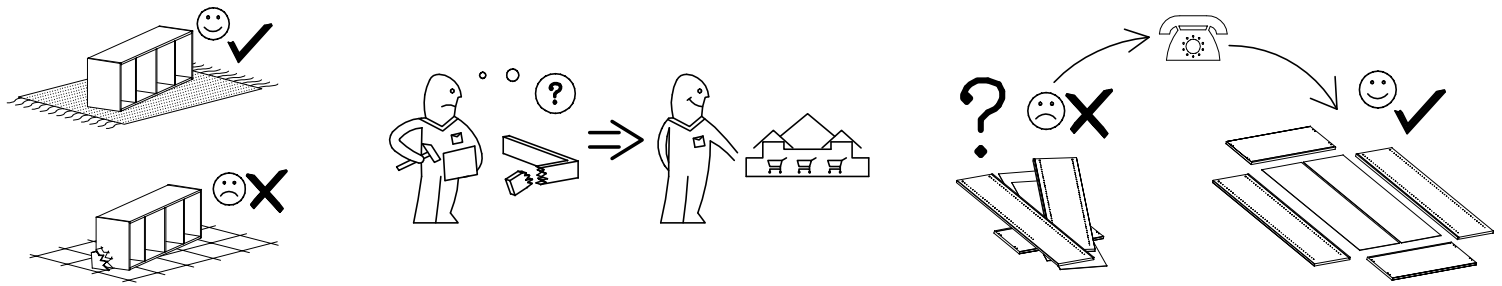


PUSH

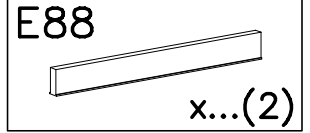


1,5h

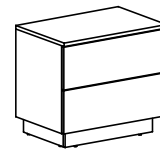




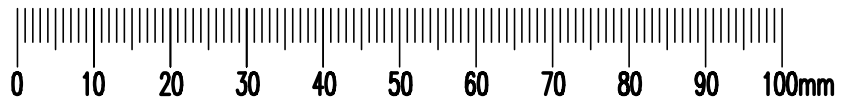
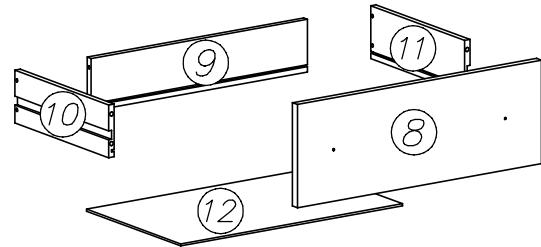
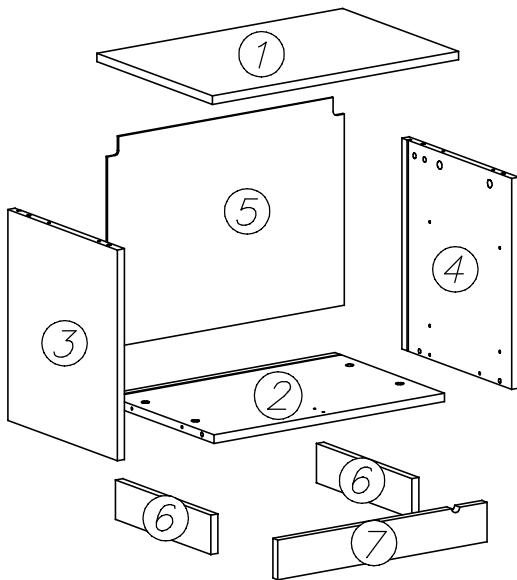
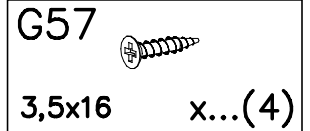
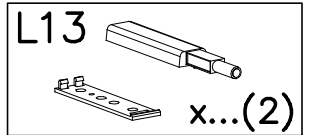
OPCJA A



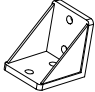

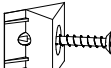

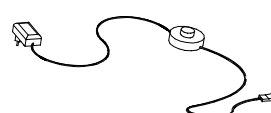


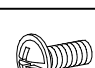
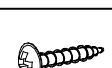
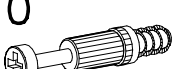

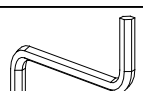



OPCJA B

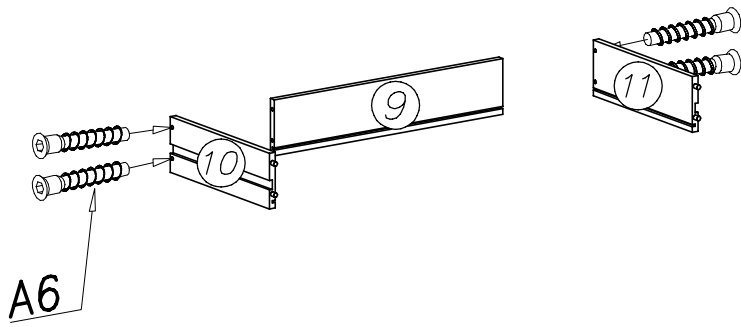


PUSH

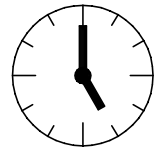
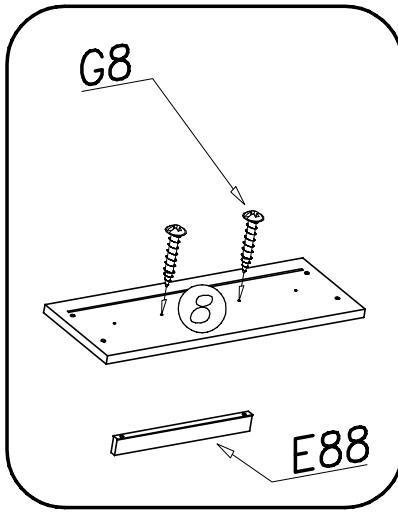
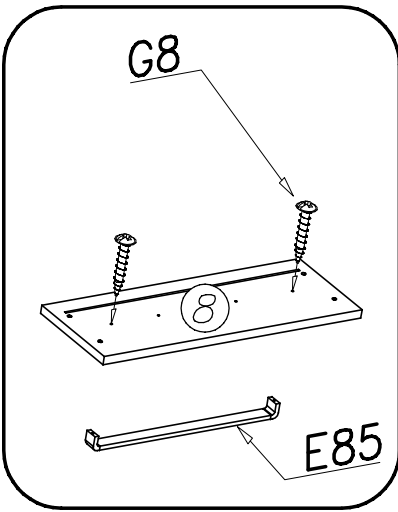
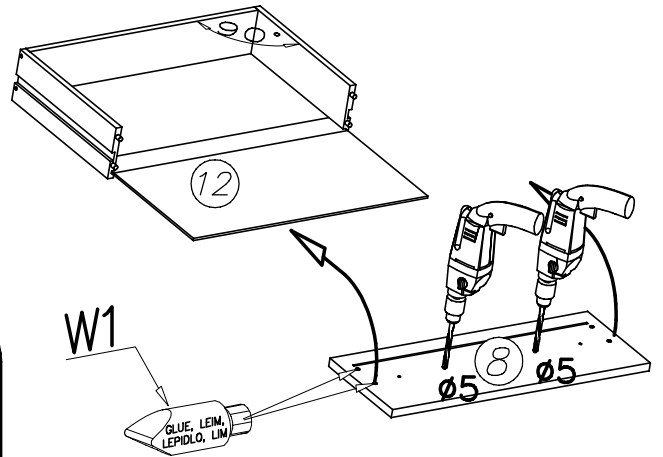
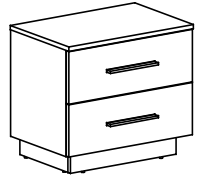


<p>A6  $\varnothing 7 \times 40$ x...(8)</p>	<p>G50  6x13 x...(8)</p>	<p>F15  x...(8)</p>		
<p>H3  280mm x...(4)</p>	<p>I1  x...(6)</p>	<p>W1  GLUE, LEIM, LEPIDLO, LIM x...(1)</p>	<p>W10  300mm x...(1)</p>	
<p>K1  $\varnothing 15 \times 12$ x...(8)</p>	<p>G8  4x30 x...(4)</p>	<p>N1  M4x9 x...(4)</p>	<p>G56  4x16 x...(32)</p>	
<p>K10  x...(8)</p>	<p>B1  $\varnothing 8 \times 35$ x...(8)</p>	<p>W2  x...(1)</p>	<p>P4  x...(6)</p>	

I

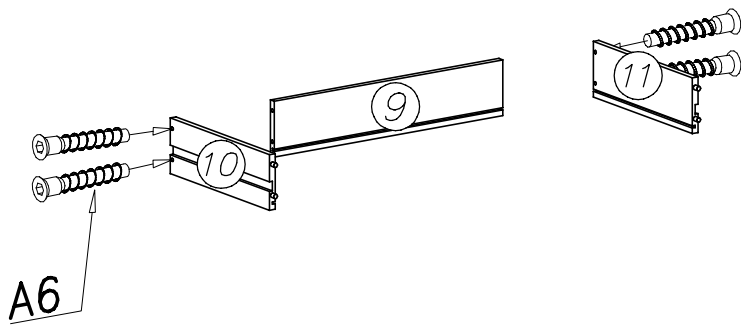


OPCJA A

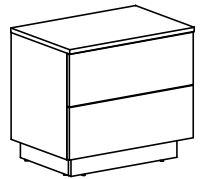


0,5h

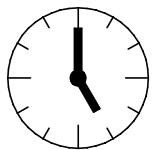
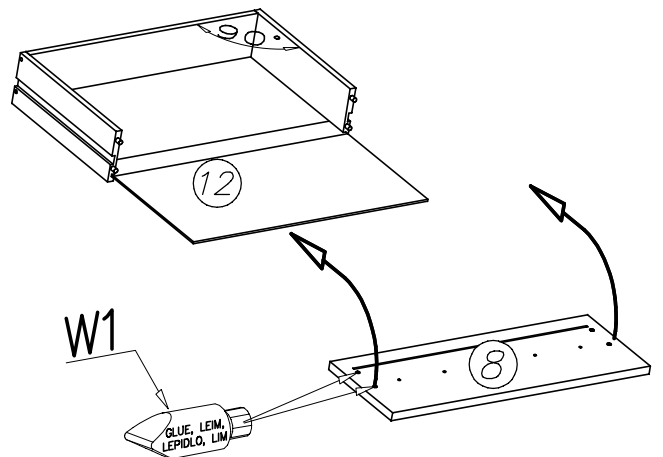
II



OPCJA B

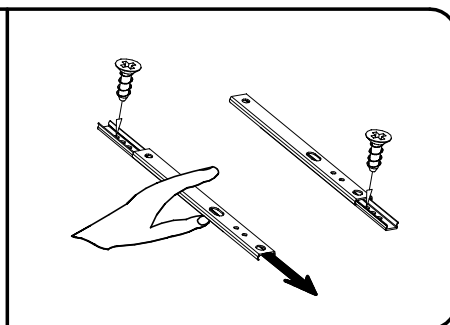
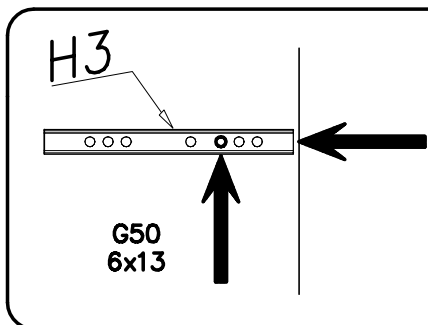
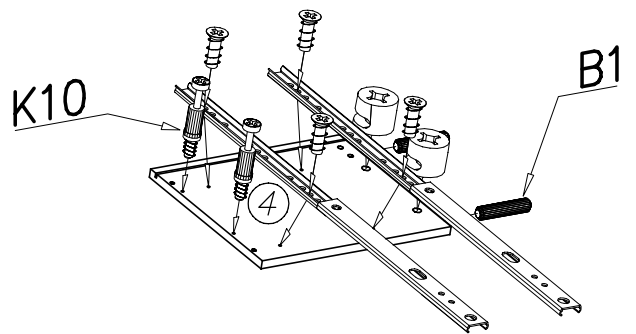
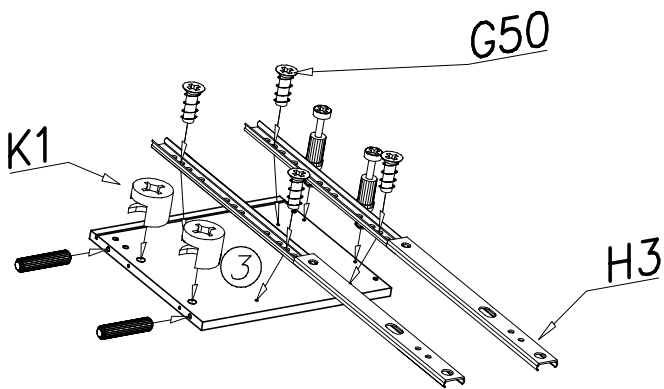
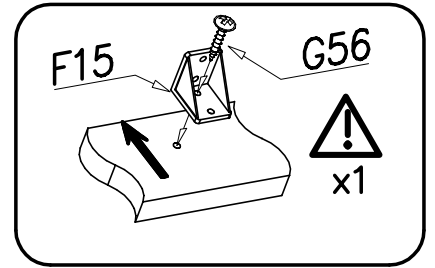
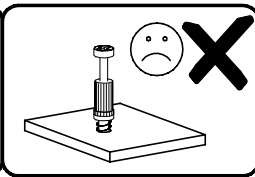
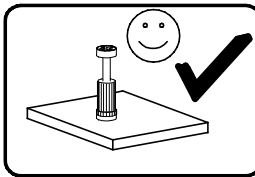
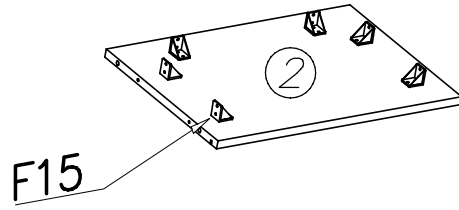
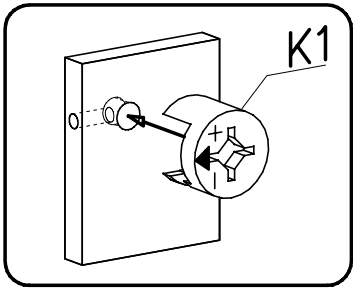
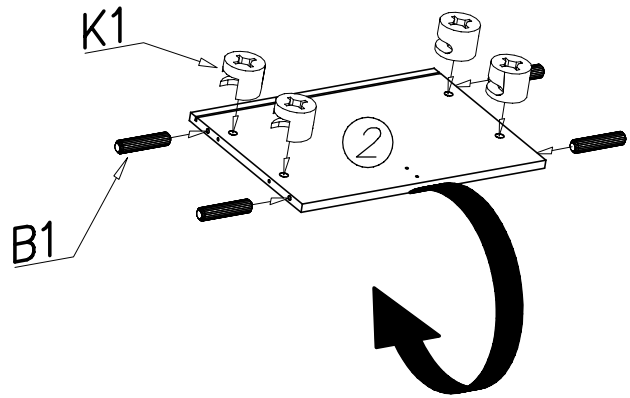
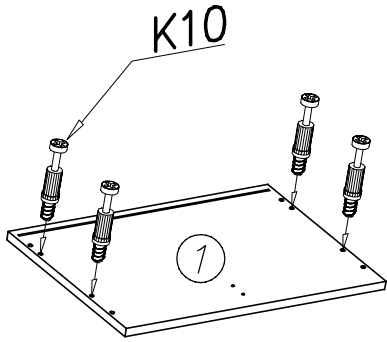


PUSH

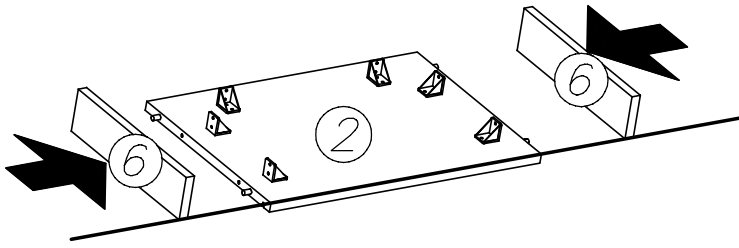


0,5h

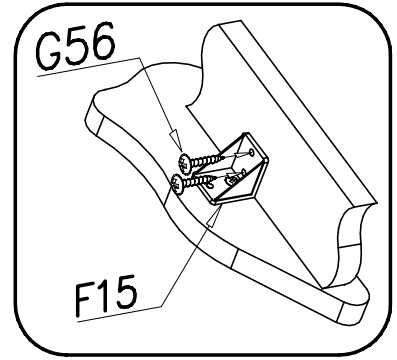
III



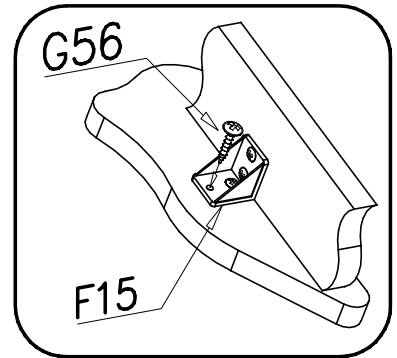
IV



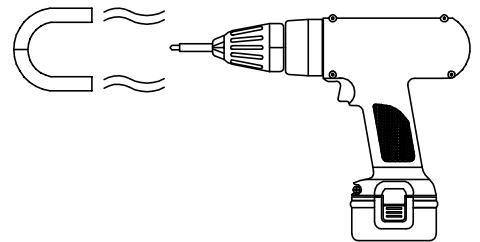
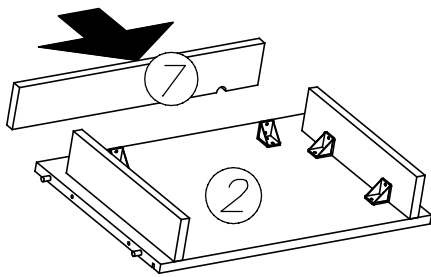
1.



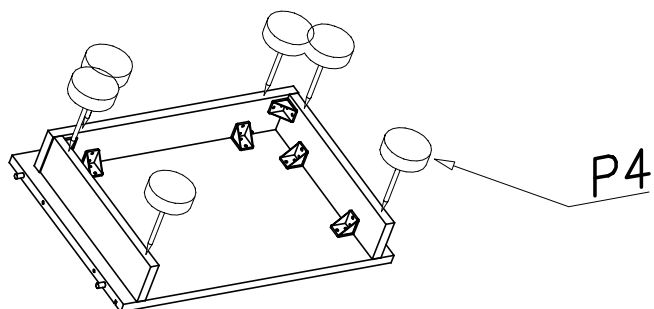
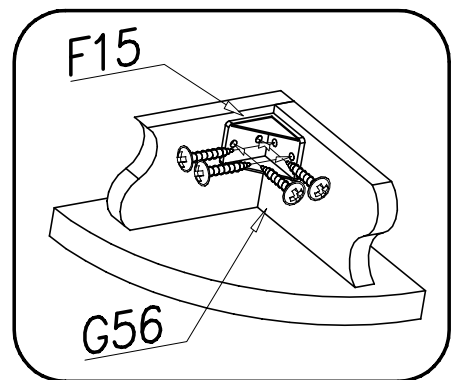
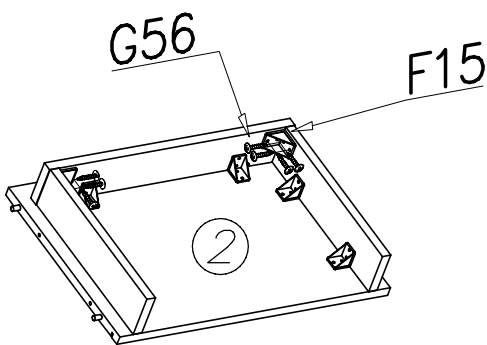
2.



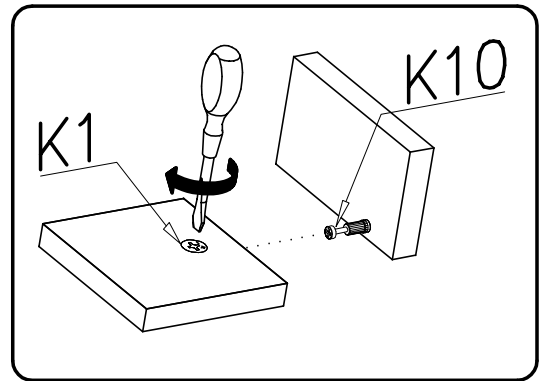
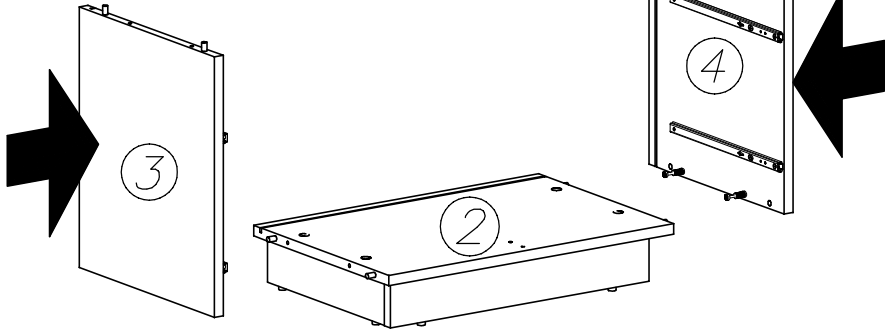
V



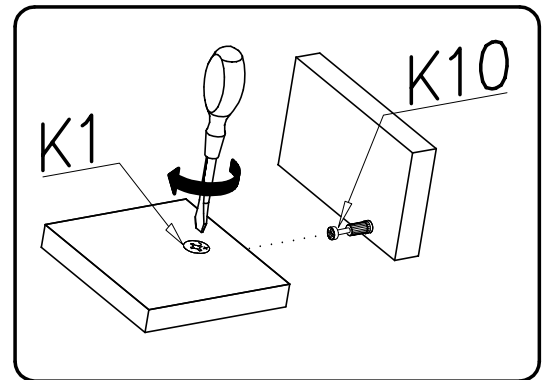
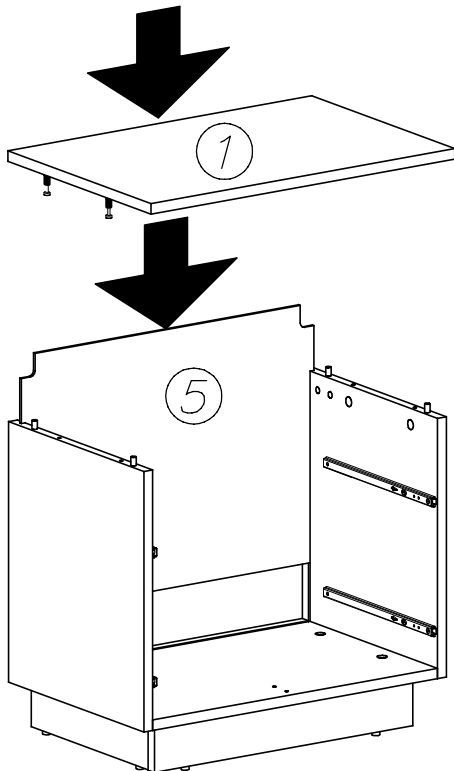
VI



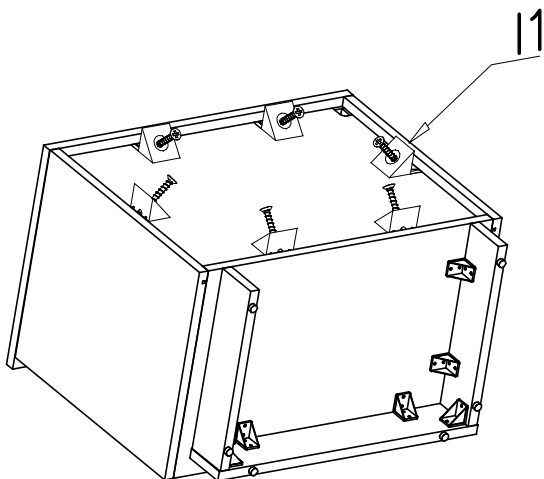
VII



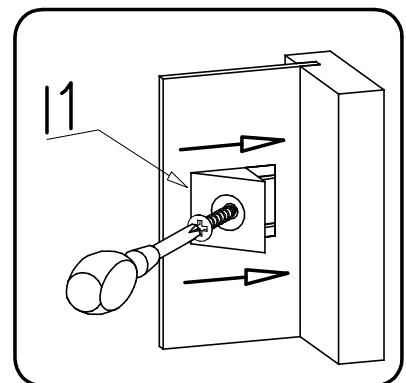
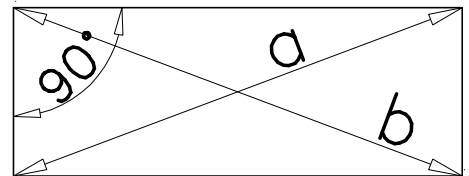
VIII



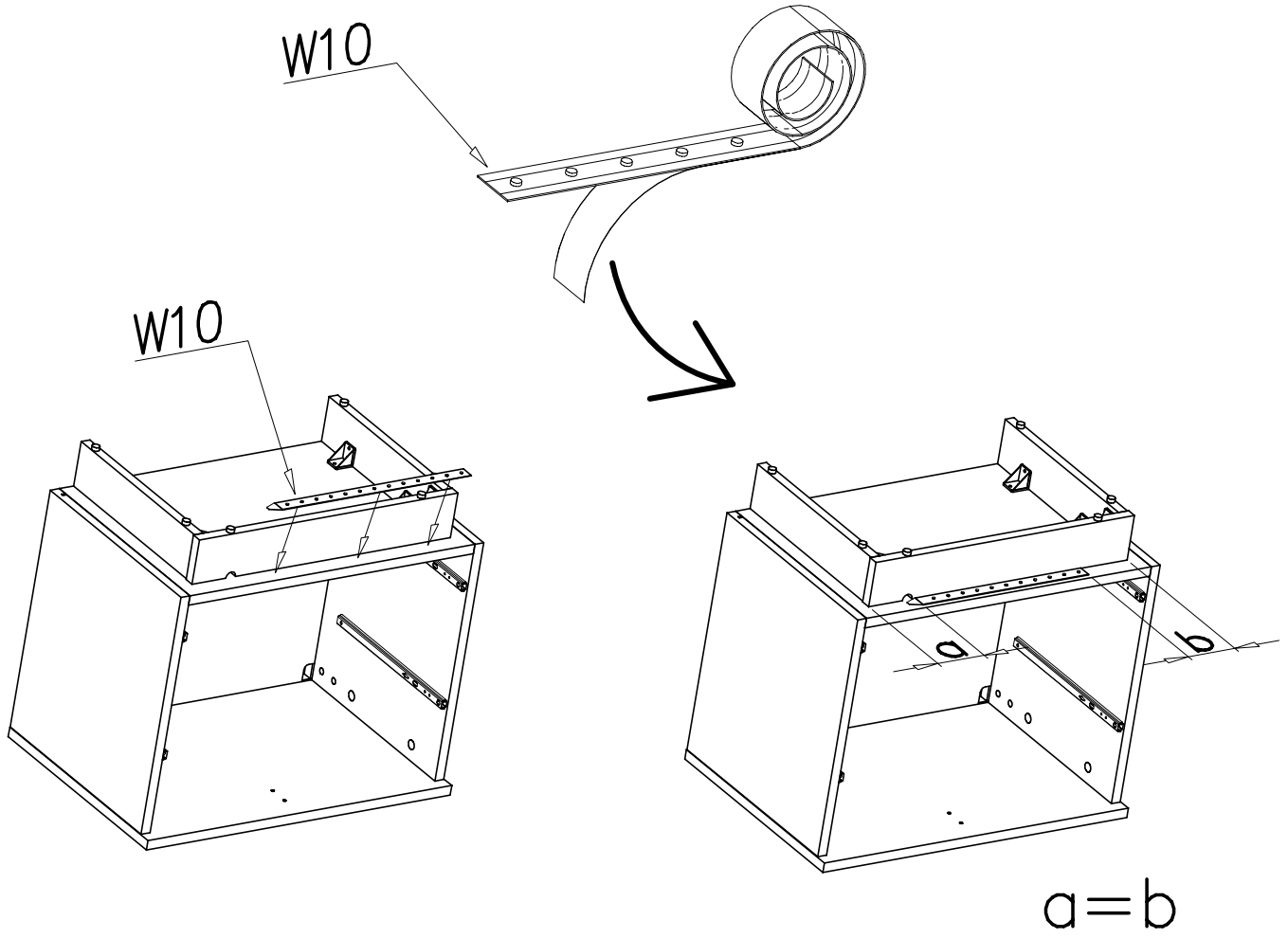
IX



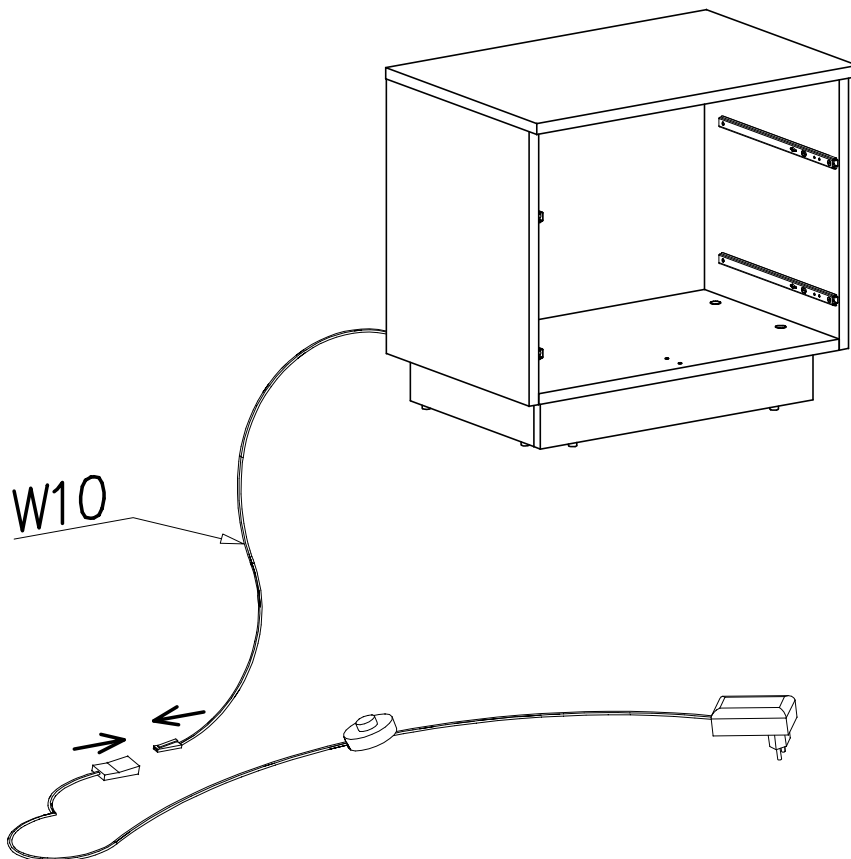
$$a = b$$



X

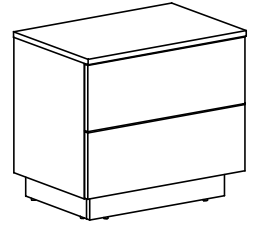


XI

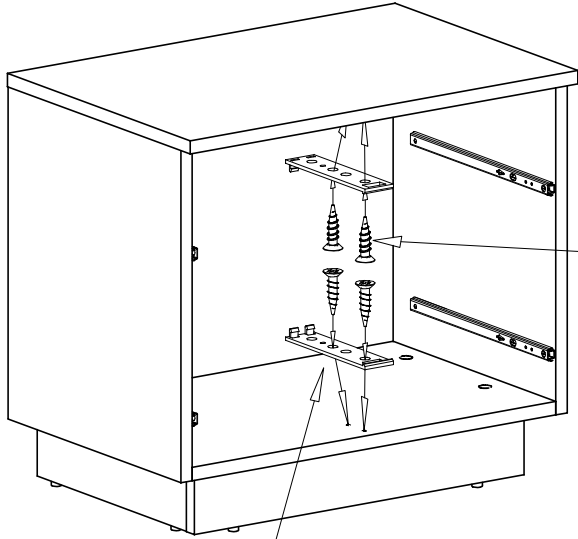


XII

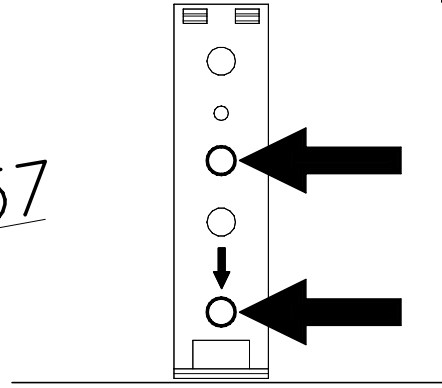
OPCJA B



PUSH

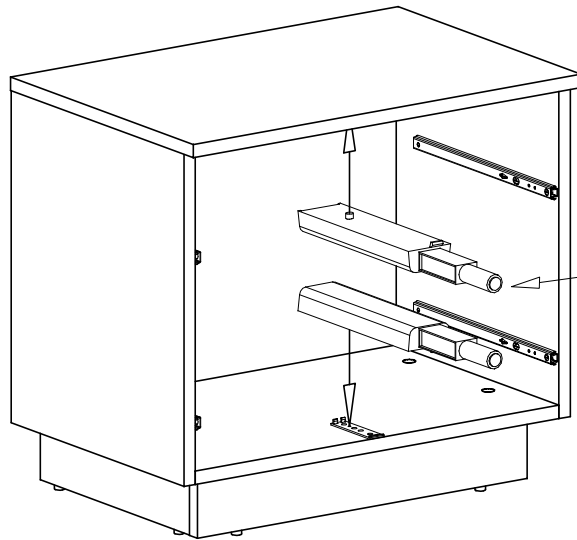


G57

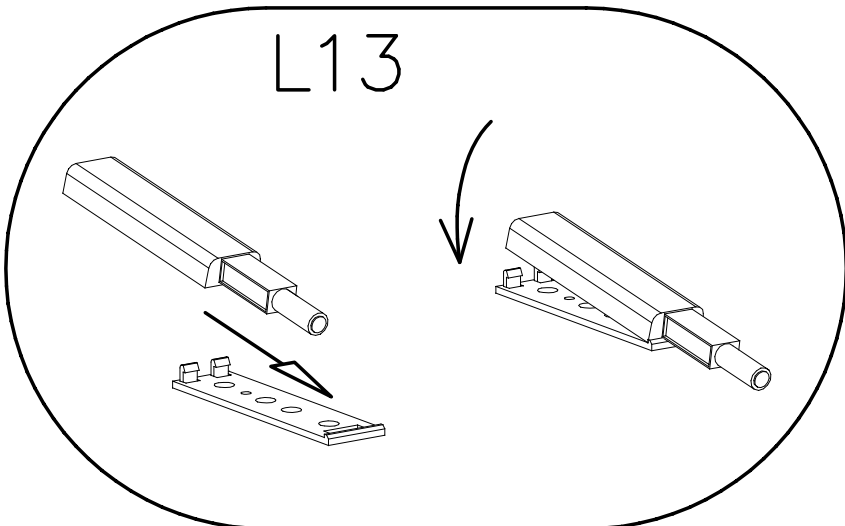


front

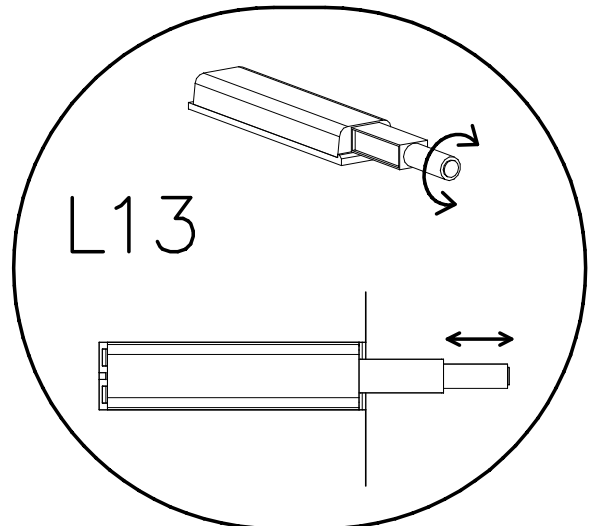
L13



L13



L13



L13

XIII

