

# GEZEBO

## Important Notice:

This product is packaged in 5 separate boxes, which may be delivered in batches.

To avoid missing parts or installation issues, please ensure all boxes have been received before unpacking and assembling.



.The box identification number is located on the left side of the outer box, as shown in the diagram.

Please locate all the accessories in the boxes before starting assembly.

## Contact Us

- Email: [service@grandtunnel.com](mailto:service@grandtunnel.com)

Please include the following information for faster assistance:

- Order number
- Purchase platform
- Purchase date
- Detailed description of the issue along with photos

# GAZEBO

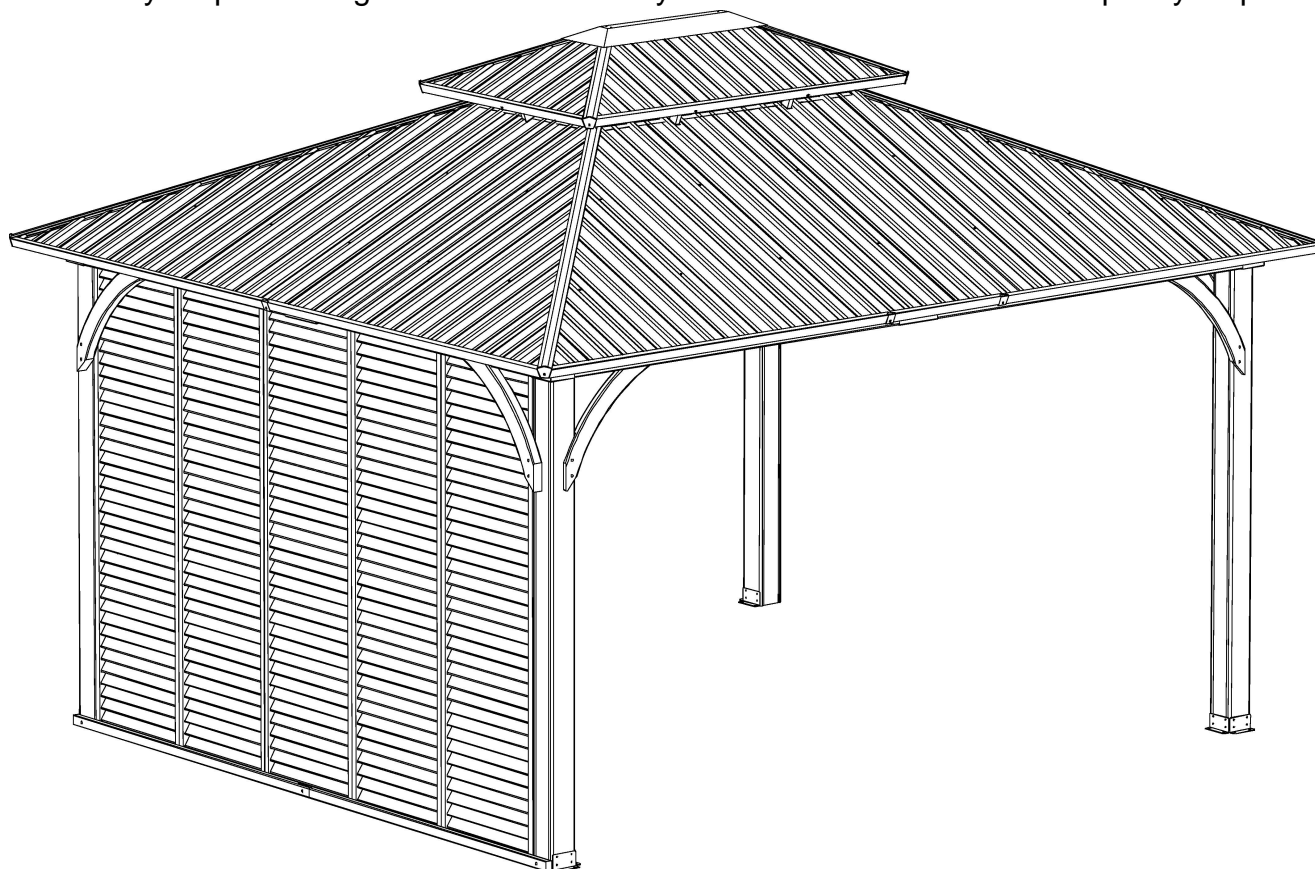
## Assembly Instructions 1. Multi-box Shipping Notice

This product is packaged in 5 separate boxes for shipping and may arrive in batches at different times. To ensure a smooth assembly process, please make sure all 5 boxes are received before unpacking and starting the installation.

## 2. Box and Packaging Verification

Each box is labeled with a corresponding number. Please refer to the packing list on the next page of this manual to verify that all boxes have been received.

If you notice any missing boxes, damaged parts, or accessory shortages, please contact the customer service team of your purchasing channel immediately. We will resolve the issue as quickly as possible.



## Contact Us

- Email: [service@grandtunnel.com](mailto:service@grandtunnel.com)

Please include the following information for faster assistance:

- Order number
- Purchase platform
- Purchase date
- Detailed description of the issue along with photos

## BEFORE YOU START

---

### Owner's Manual

Prior to installation, it is important that you contact your local government authority to determine if building approval is required. Study and understand this owner's manual.

Important information and helpful tips will make your construction easier and more enjoyable.

### Assembly instructions

Instructions are supplied in this manual and contain all appropriate information for your building model.

Review all instructions before you begin. During assembly, follow the step sequence carefully for correct results. Please be aware: **this unit takes two people about one full day to complete.**

### Parts

Check to be sure that you have all the necessary parts for the building.

Separate contents of the carton by the part number while reviewing parts list.

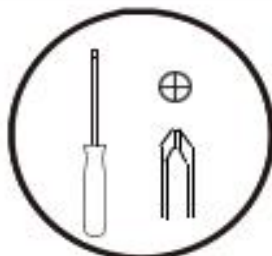
Familiarize yourself with the hardware and fasteners for easier use during construction. These are packaged within the carton. Note that extra fasteners have been supplied for your convenience.

## TOOLS MY REQUIRED

---



Hammer



Screwdriver



Ladder



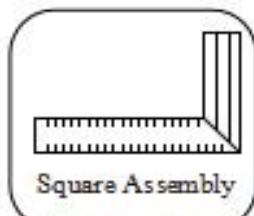
Electric screw driver



Wrench

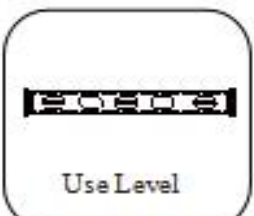


This identifies information that requires special attention. Improper assembly could lead to an unsafe or dangerous condition.



Square Assembly

Check that assembly is square before tightening bolts.

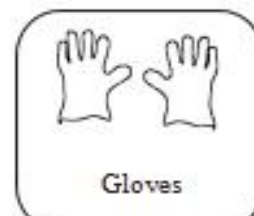


Use Level

Check that set or assembly is properly level before proceeding.



Measure Distance



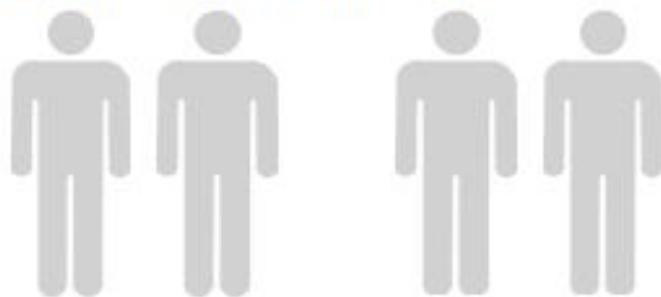
Gloves

## IMPORTANT

---

### How many people needed for the installation work

**Requires Four people and take 7-10 hours for installation.**



# Gazebo Installation, Usage, and Maintenance Guide

## 1. Safety Warnings

### During Installation

- **Weather Conditions:** Do not install the gazebo during strong winds, heavy rain, or high temperatures.
- **Sharp Edges:** Some components may have sharp edges. Always wear protective gloves and safety glasses during handling and installation.
- **Bolt Adjustment:** Tighten all bolts only after ensuring proper alignment to prevent damage to the structure or components. Use a spirit level throughout the installation to ensure the structure is aligned and level.

### During Use

- **Weather Alerts:** Avoid standing or storing items under the gazebo during strong winds or heavy snow. Reinforce the gazebo in advance during extreme weather conditions.
- **Snow Removal:** Clear snow from the roof promptly after heavy snowfall to prevent structural damage or collapse.
- **Fire Hazards:** Do not use open flames or store flammable materials inside or near the gazebo.
- **Structural Inspection:** Check all screws, fasteners, and the overall structure every 90 days to ensure safety and stability.

### Prohibitions

- Do not allow children to climb on the gazebo's posts or roof.
- Do not install the gazebo directly on grass, loose soil, or untreated ground.
- Stop using the gazebo immediately if any components are damaged, worn, or missing. Contact customer service for replacements.

## 2. Before You Begin

### User Manual and Installation Expectations

- a. **User Manual**
  - Carefully read the entire manual to understand each step and avoid potential issues caused by improper installation.

### b. Installation Time

- **Estimated time:** 10–12 hours (depending on site preparation and installer experience).
- **Personnel required:** At least 4 people are recommended for efficient and safe assembly.

### Permit Check

- Contact your local government to confirm whether a building permit is required to avoid delays or regulatory issues.

## 3. Site Preparation and Tools Checklist

- **Avoid Overhanging Trees:** Reduce cleaning frequency and prevent potential damage from falling branches.
- **Wind Barriers:** Choose an area with natural wind barriers such as bushes or fences to minimize wind exposure.
- **Level Ground:** Ensure the foundation is level. Use a spirit level to verify flatness across the entire site.

### Foundation Preparation

- **Recommended Base Materials**
- Concrete or treated timber.
- Bricks or cement blocks secured with mortar on a level foundation.

### Important Notes

- Do not install the gazebo directly on grass or untreated ground.
- Concrete foundations should have a slight slope for drainage and must be fully cured before assembly.

## Required Tools Tools Checklist

- Hammer, screwdriver, electric screwdriver, wrench, measuring tape, spirit level, ladder, and protective gloves.

### Additional Materials

- If expansion bolts or ground anchors are not included with the product, purchase them separately to enhance stability.

## 4. Installation Guide

### Installation Steps

#### a. Teamwork

- A minimum of two people is required for assembly. Certain tasks, such as installing the roof or adjusting supports, may require multiple individuals.

#### b. Allocate Enough Time

- For first-time installers, allocate approximately 12 hours to complete the process carefully and thoroughly, avoiding errors or rework.

#### c. Prepare Tools and Materials

- Ensure all tools and materials are readily available, including spare hardware (e.g., screws or expansion bolts).

#### d. Protect Components

- Lay protective cloths or plastic sheets on the ground to prevent scratches or dirt on components.

- Store small parts (e.g., screws and nuts) in trays or containers to avoid loss.

#### e. Gradual Tightening

- Keep screws and bolts loose during preliminary assembly for easier adjustments. Tighten all fasteners fully only after confirming the entire structure is level and aligned.

#### f. Safety Tips

- Sharp Edges: Wear gloves to avoid injury during handling.
- Heavy Components: Use at least two people to lift and position heavier parts safely.
- Alignment Check: Use a spirit level and measuring tools at each step to ensure proper alignment and stability.

## 5. Maintenance and Care

### Regular Inspections

- Inspect all screws, bolts, and fasteners every 90 days to ensure they remain tight.
- Use a spirit level to check that the gazebo is still vertical and balanced.
- If metal components show signs of rust or cracks, apply rust-proof paint or replace the affected parts.
- Clean the gazebo surface with a damp cloth. Avoid using abrasive or corrosive cleaning agents.

### Reinforcements

#### a. Expansion Bolts

- Install additional expansion bolts to securely anchor the gazebo posts to the foundation.

#### b. Ground Anchors and Wind Straps

- Use ground anchors and wind straps in windy conditions to enhance stability.

#### c. Roof Panel Reinforcement

- Add reinforcement strips beneath thin metal roof panels to increase load capacity.

- Regularly remove leaves and snow from the roof to ensure proper drainage and prevent clogs.

- Inspect roof panels for looseness or damage. Repair or replace them as needed.

## 6. Customer Support Information

If you need further assistance, please contact our customer service team:

- Email: [service@grandtunnel.com](mailto:service@grandtunnel.com)

### Information for Faster Service

- Provide your order number, purchase platform, a detailed description of the issue, and relevant photos (if applicable).

# CUSTOMER SERVICE GUIDE

---

Thank you for choosing our product! We are committed to providing you with excellent service. If you find any missing parts, damaged packaging, or product damage after receiving all packages, please follow the steps below to quickly contact our customer service team. We will do our best to resolve your issue.

## 1. Missing Parts

Verify Parts:

1. Refer to the “ Parts List ” in the manual to verify the name, specifications, and quantity of the missing parts.
2. Take a clear photo of the parts list and mark the missing parts with detailed information, e.g., “ Missing 5 pieces of M6x30mm screws. ”

**Contact Us:**

- By Email:

Send an email to [service@grandtunnel.com](mailto:service@grandtunnel.com), with the subject line “ Missing Parts Issue. ”

Include the following in the email:

- A description of the missing parts and a photo of the parts list.
- Order details (order number, purchase platform, purchase date).

## 2. Product or Packaging Damage

If it affects normal use:

Steps:

1. Take clear photos or videos showing the damaged parts and the extent of the damage (multi-angle shots are recommended).
2. Email the photos/videos along with order details to [service@grandtunnel.com](mailto:service@grandtunnel.com), with the subject line “ Product Damage Issue. ”

Resolution:

After verification, we will arrange for a replacement part, product exchange, or refund as quickly as possible.

If it does not affect normal use:

Steps:

1. Contact our customer service team (by email: [service@grandtunnel.com](mailto:service@grandtunnel.com)).
2. Provide a description of the damage and include relevant photos or videos.

Resolution:

We will provide repair guidance or an appropriate compensation plan based on the specific situation.

Contact Us

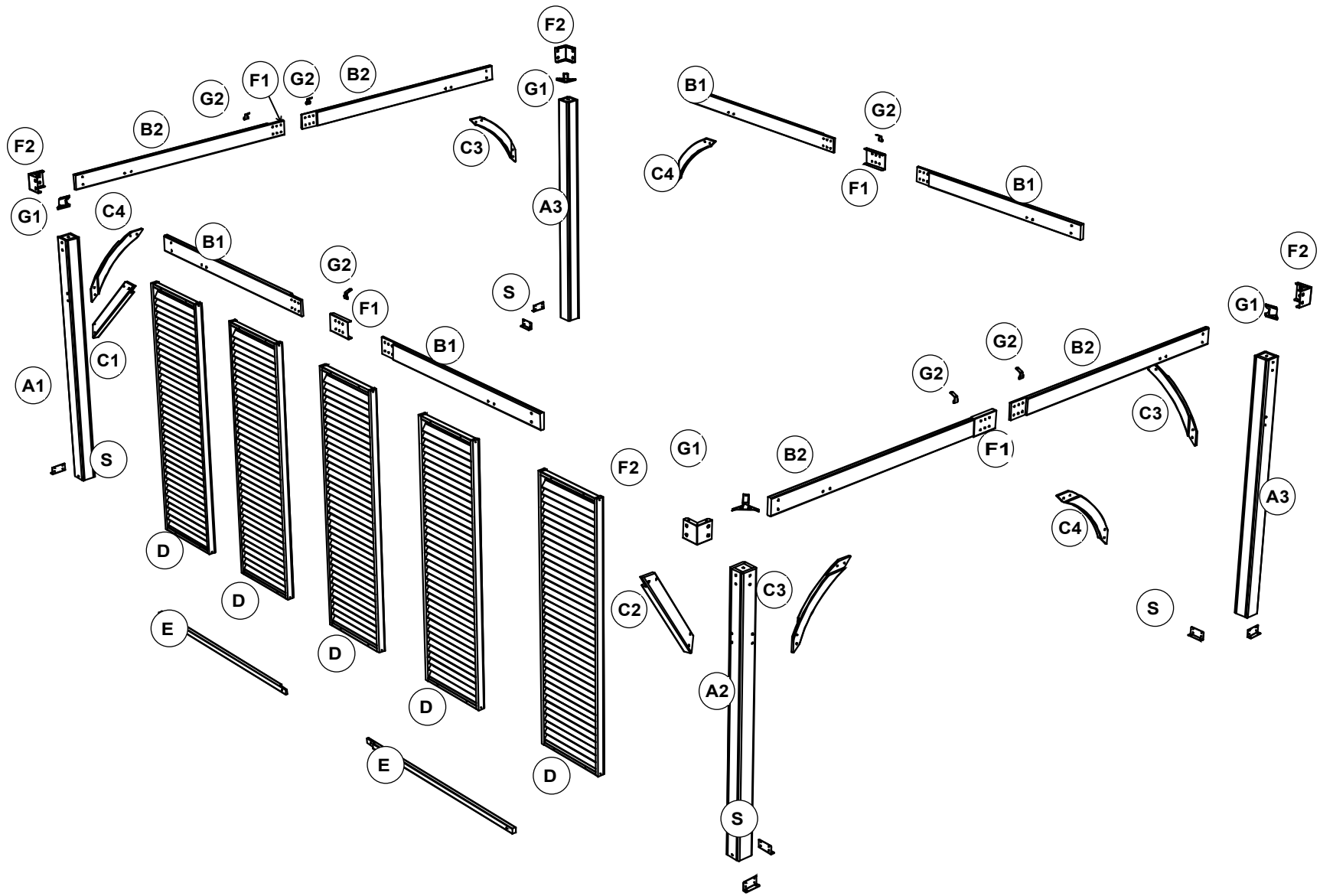
- Customer Service Email: [service@grandtunnel.com](mailto:service@grandtunnel.com)

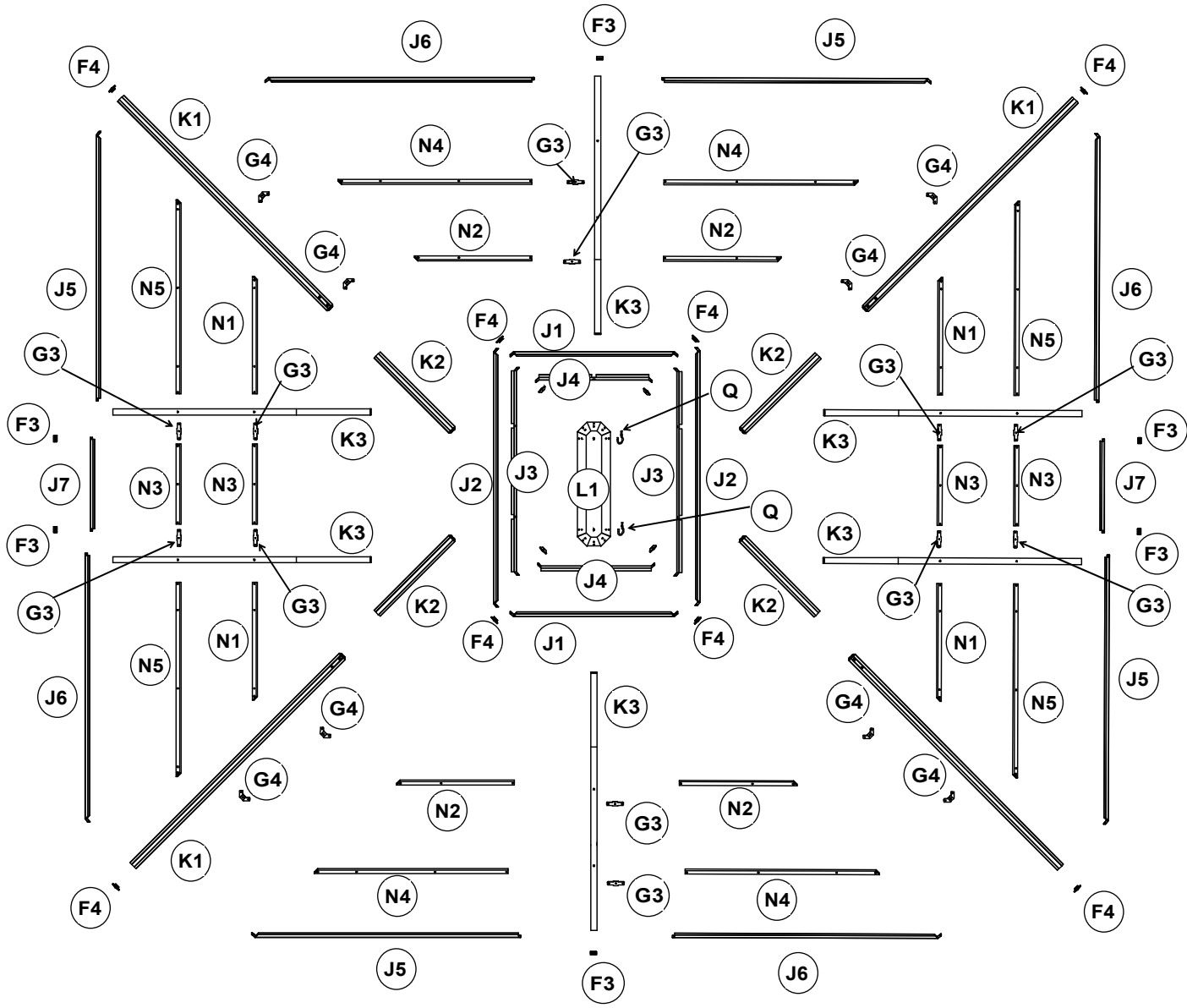
Helpful Tips

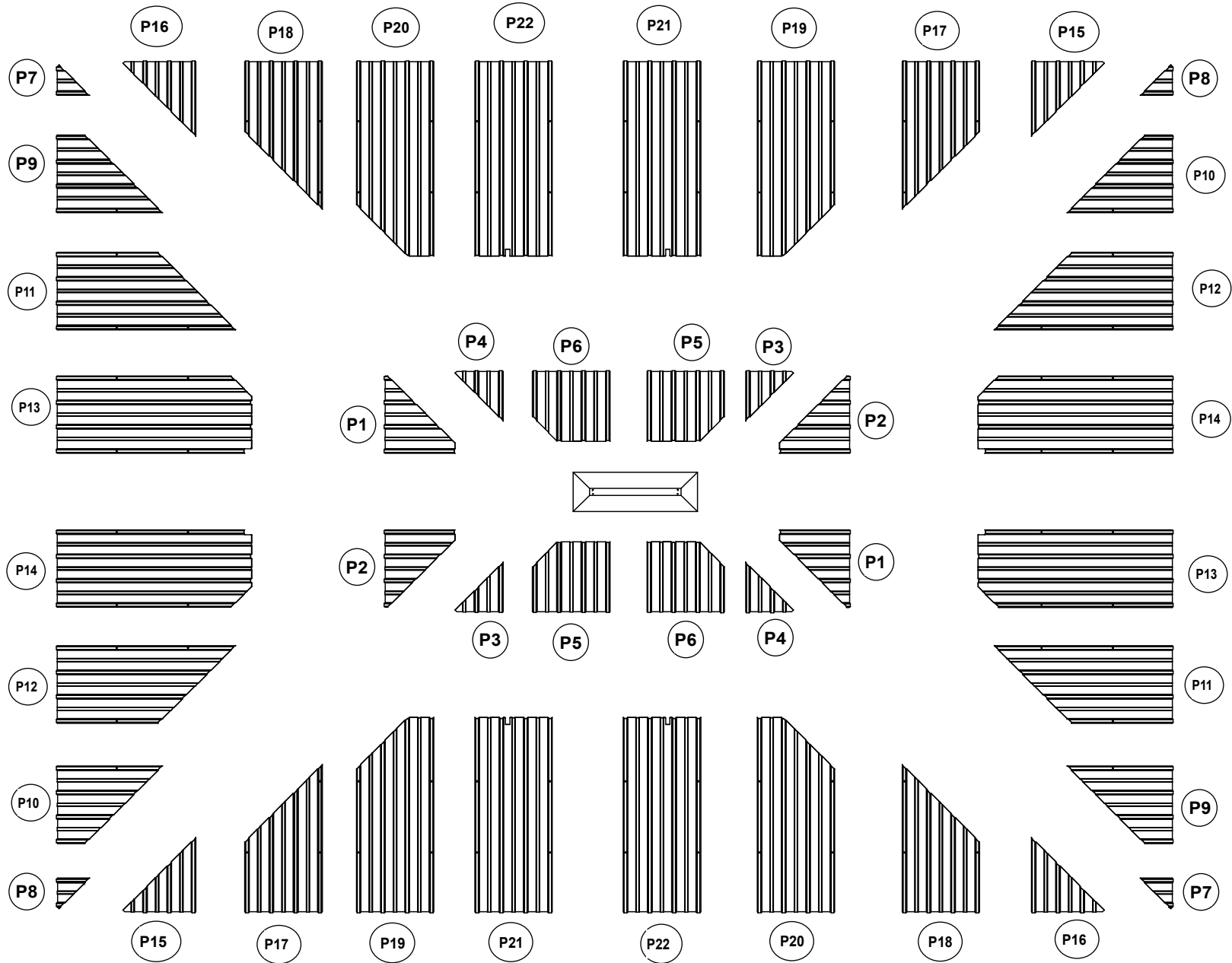
To process your issue efficiently, please prepare the following information:




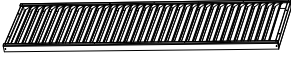









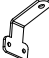



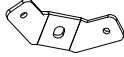



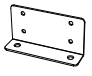



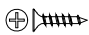



- Order details (order number, purchase platform, purchase date).
- Clear photos or videos.
- We are committed to providing quick and professional solutions, no matter the size of the issue, to ensure your satisfaction.



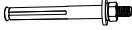





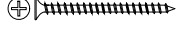

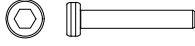














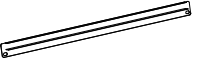


Thank you for your trust and support! We hope you enjoy using our product!

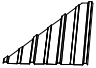













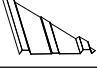











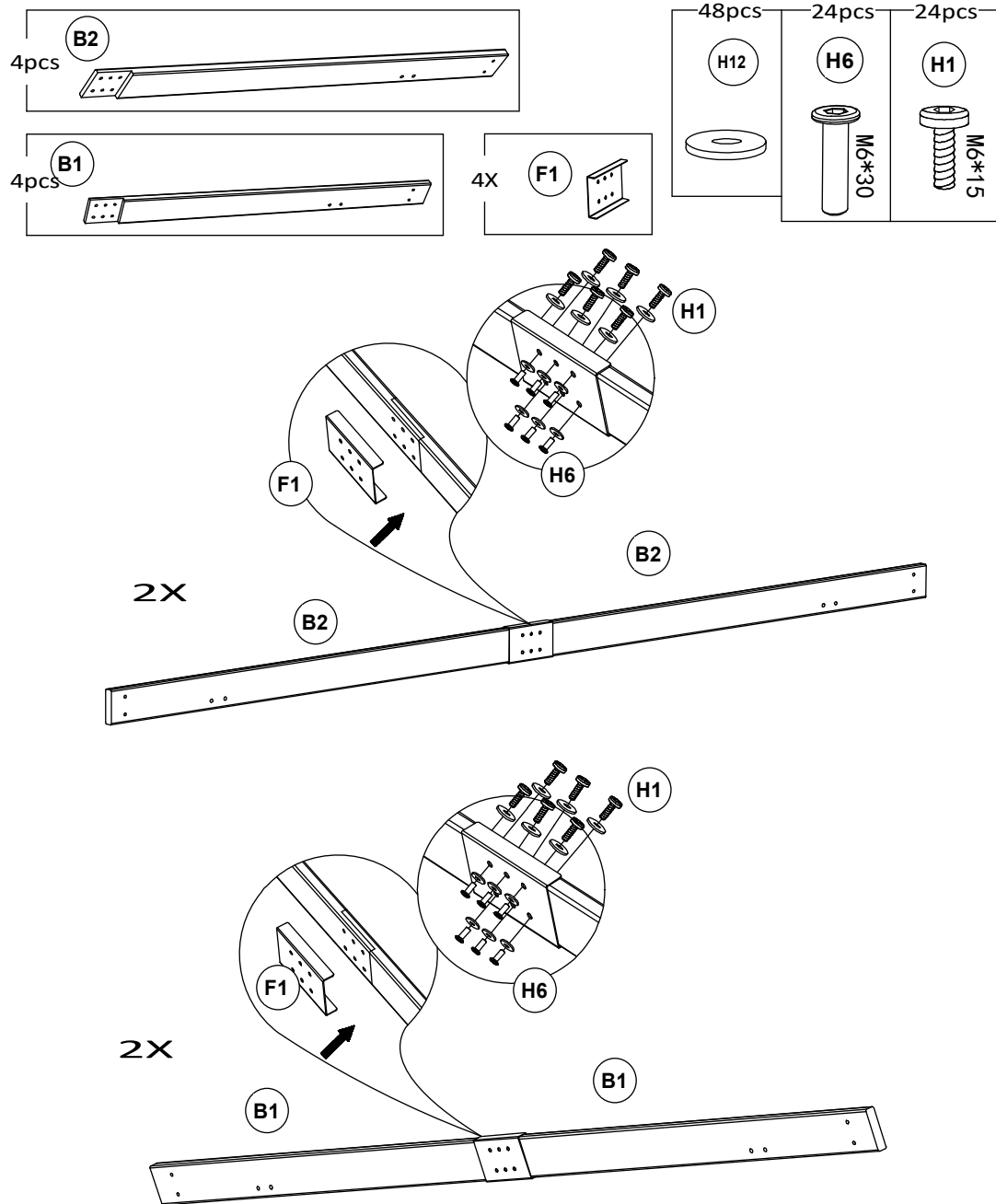


BOX1	A1		1			
	A2		1			
	A3		2			
BOX2	D		5			
BOX3	B1		4	F2		4
	B2		4	F3		6
	C1		1	F4		12
	C2		1	G1		4
	C3		3	G2		6
	C4		3	G3		12
	E		2	G4		8
	L1		1	Q		2
	L2		1	S		8
	F1		4			
	H1	M6×15mm (1/4"×1/2")				122
	H2	M6×50mm (1/4"×2")				40
	H7	φ4×25mm (1/6"×1")				84
	H9	16mm (1/2")				40
H10	M6mm (1/4")				40	
H11					40	

	HW3	M6 (1/4")			2	
	HS	Φ5×120mm (1/5"×4.7")			8	
	HQ	M8×70mm (1/4"×2.8")			8	
	H1	M6×15mm (1/4"×1/2")			41	
	H3	M8×35mm (1/4"×1/2")			12	
	H4	M8×50mm (1/4"×2")			18	
	H5	M8×60mm (1/4"×2.4")			4	
	H6	M6×30mm (1/4"×1")			25	
	H8	4×70mm (1/6"×2.6")			20	
	H9	8×18mm (1/4"×1/2")			116	
	H13	M6×45mm (1/4"×1.5")			16	
	HW1	4mm (1/6")			2	
	HW2	5mm (1/5")			2	
BOX4	J1		2	K2		4
	J2		2	K3		6
	J3		2	N1		4
	J4		2	N2		4
	J5		4	N3		4
	J6		4	N4		4
	J7		2	N5		4
	K1		4			

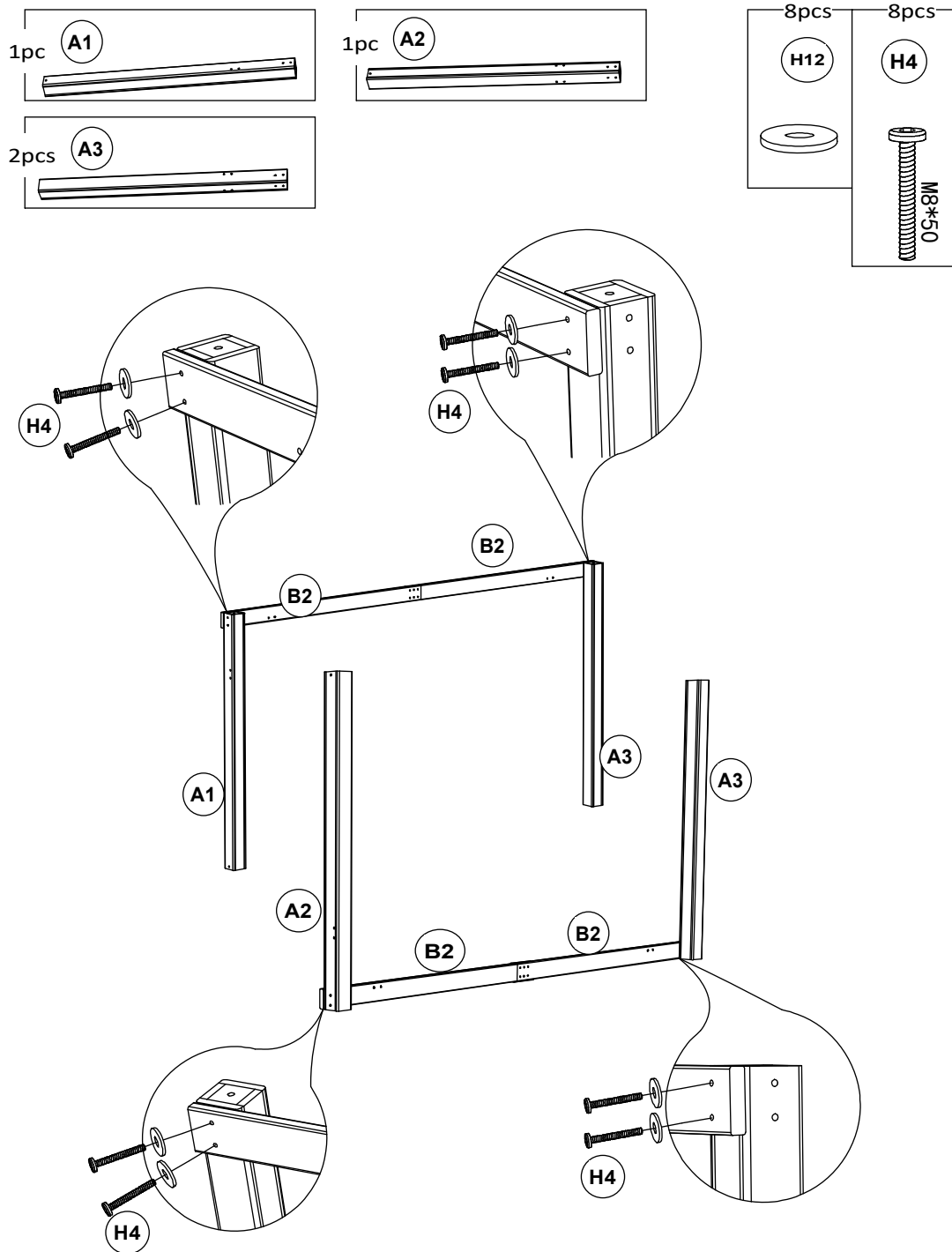
BOX5	P1		2	P12		2
	P2		2	P13		2
	P3		2	P14		2
	P4		2	P15		2
	P5		2	P16		2
	P6		2	P17		2
	P7		2	P18		2
	P8		2	P19		2
	P9		2	P20		2
	P10		2	P21		2
	P11		2	P22		2

1



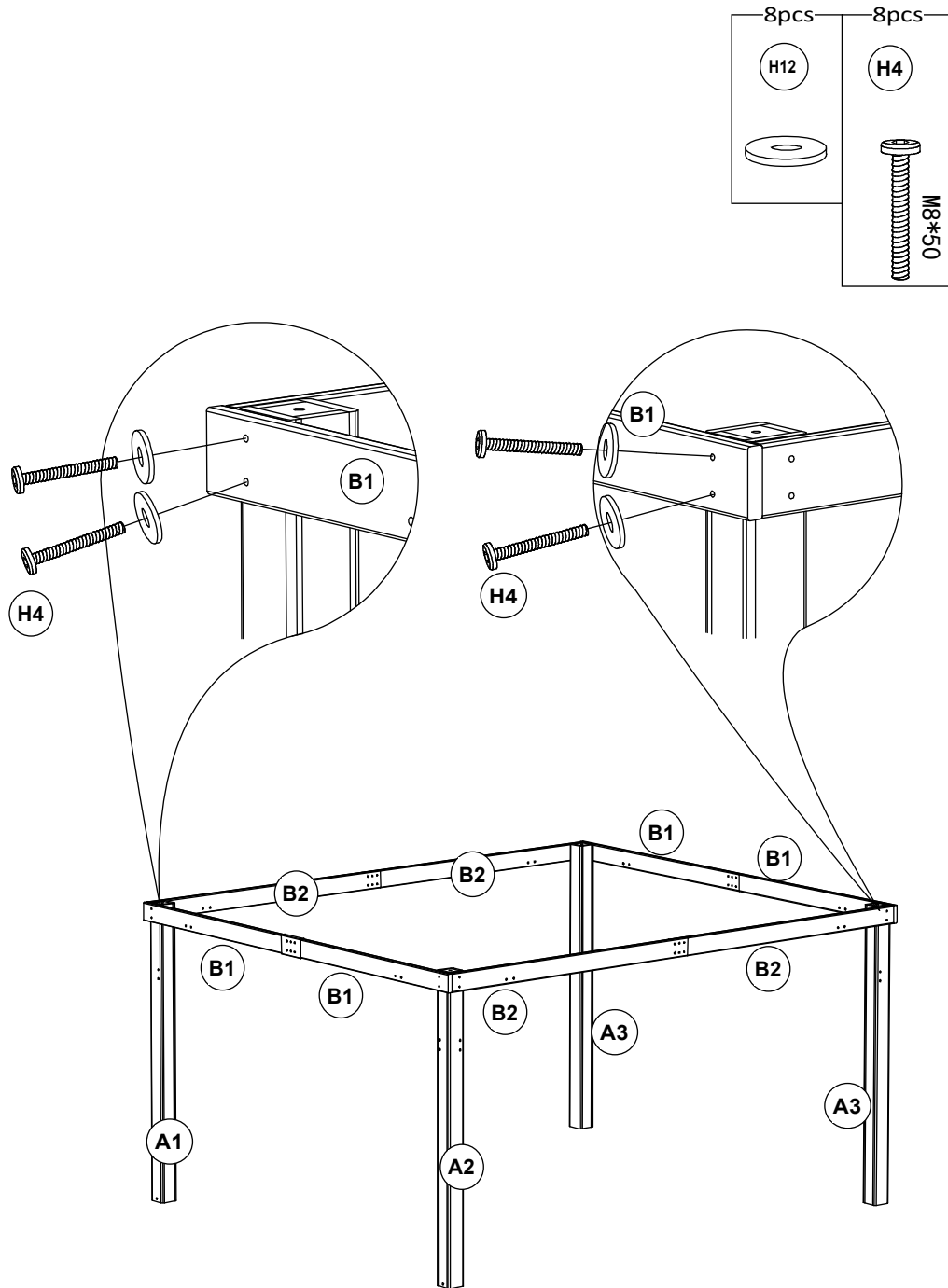
A. Connect two long wooden beams (B2) using beam brackets (F1) and secure them with bolts (H1/H6).

B. Connect two short wooden beams (B1) using beam brackets (F1) and secure them with bolts (H1/H6/H12).



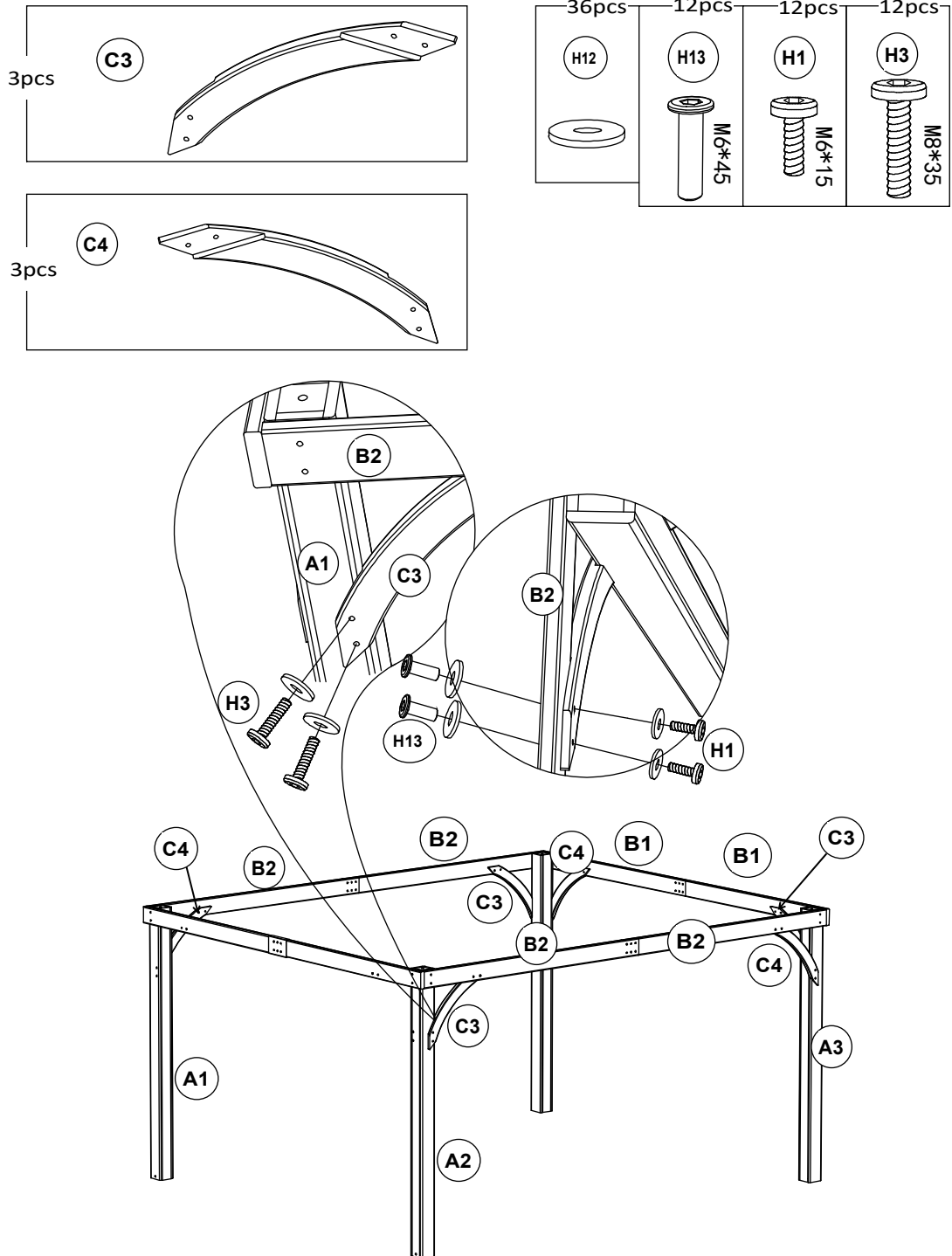
A. Attach both ends of the assembled long wooden beam (B2) to the left rear post (A1) and the right post (A3), securing them with bolts (H4/H12)

.B. Attach both ends of the assembled long wooden beam (B2) to the left front post (A2) and the right post (A3), securing them with bolts (H4/H12).



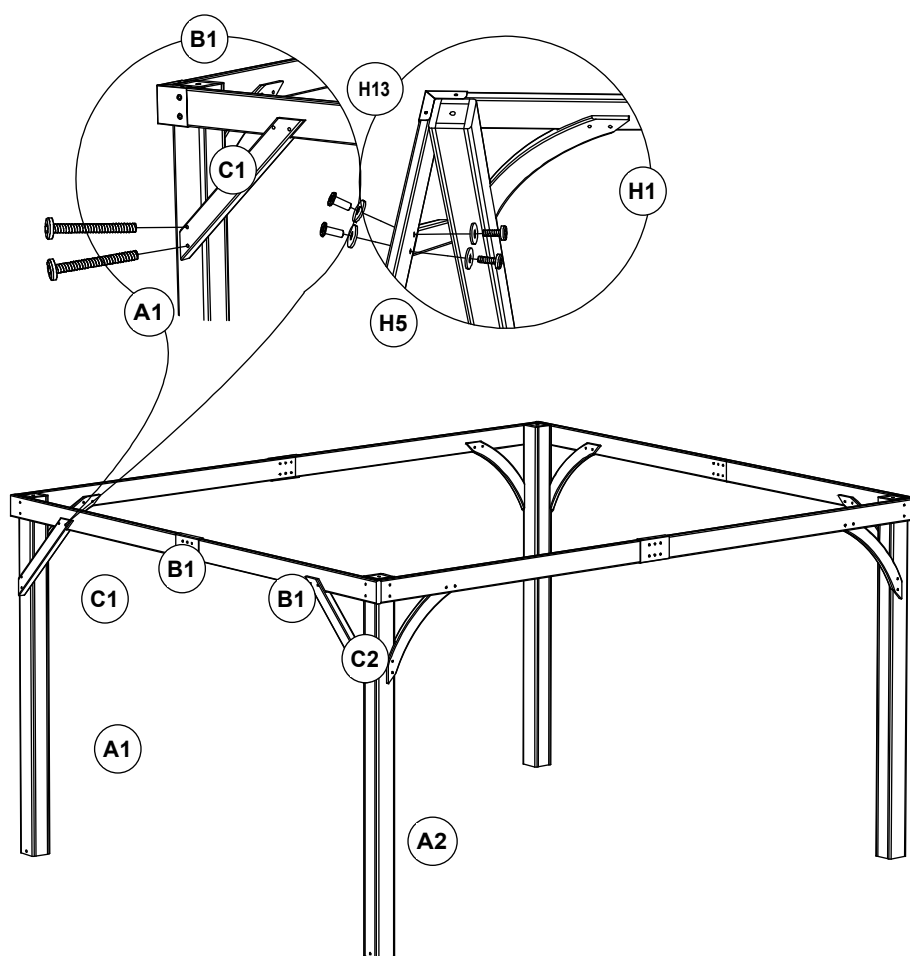
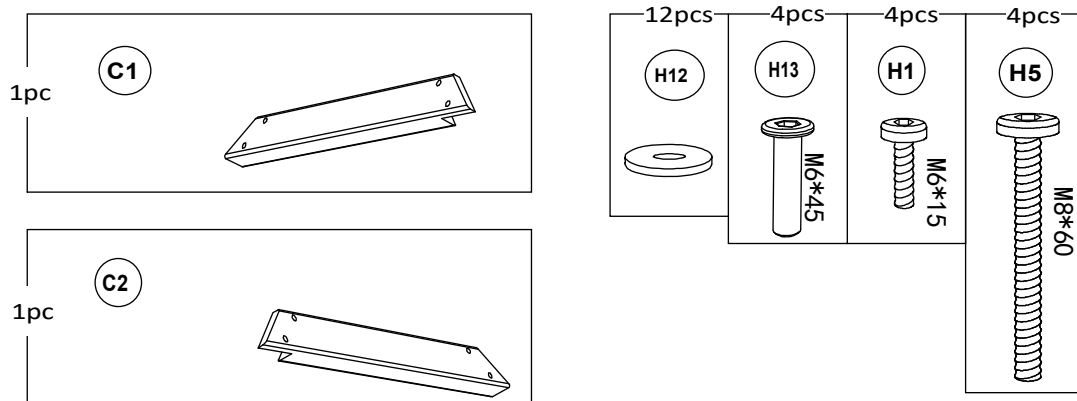
A. Attach both ends of the assembled short wooden beam (B1) to the left rear post (A1) and the left front post (A2), securing them with bolts (H4/H12)

B. Attach both ends of the assembled short wooden beam (B1) to the right post (A3), securing them with bolts (H4/H12).



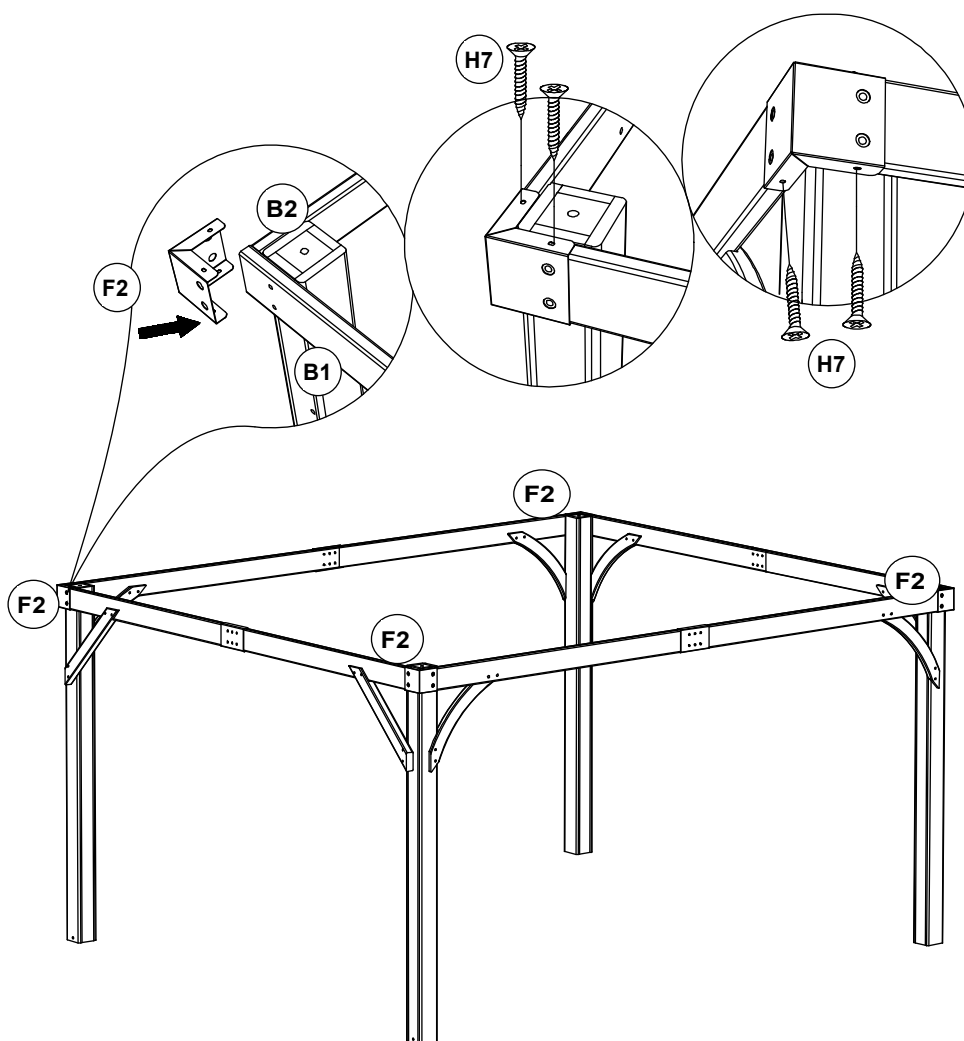
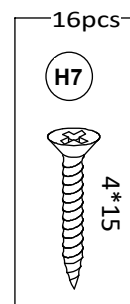
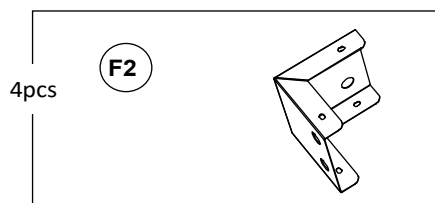
A. Attach three left diagonal braces (C3) to the left front post (A2) and the long beam (B2), the right post (A3) and the short beam (B1), and the right post (A3) and the long beam (B2), securing them with bolts (H1/H3/H12/H13).

B. Attach three right diagonal braces (C4) to the right post (A3) and the long beam (B2), the right post (A3) and the short beam (B1), and the left rear post (A1) and the long beam (B2), securing them with bolts (H1/H3/H12/H13).

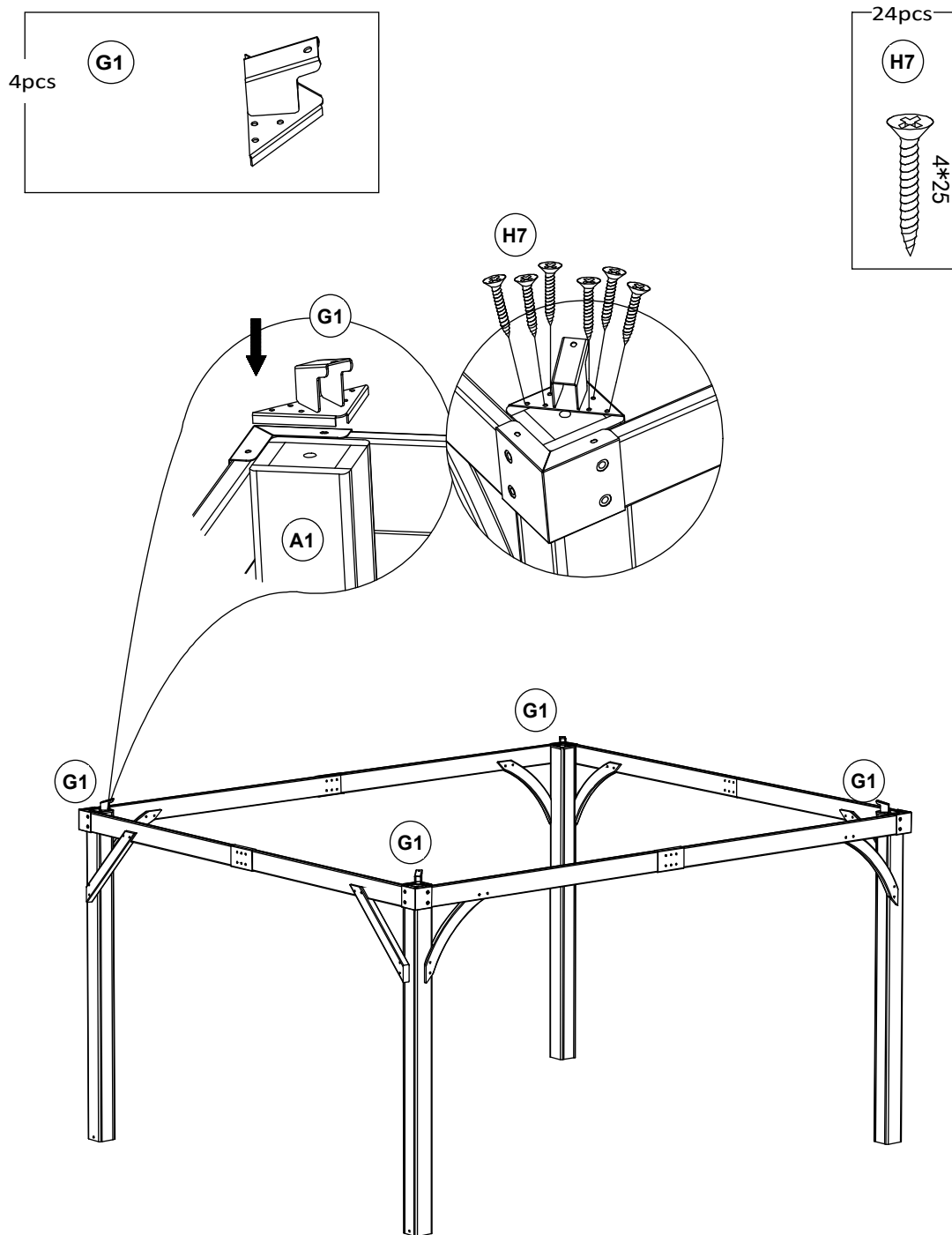


A. Attach the left thick diagonal brace (C1) to the left rear post (A1) and the short beam (B1), securing it with bolts (H1/H5/H12/H13).

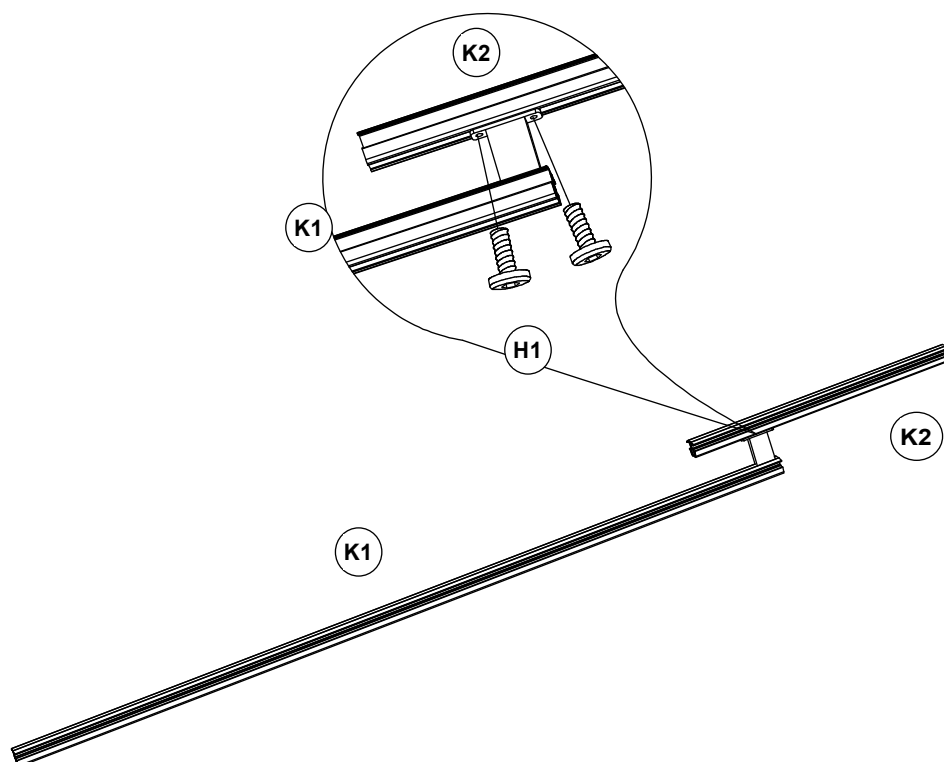
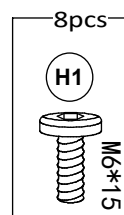
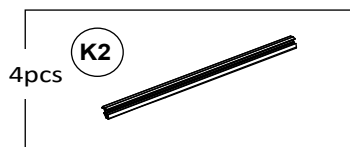
B. Attach the right thick diagonal brace (C2) to the left front post (A2) and the short beam (B1), securing it with bolts (H1/H5/H12/H13).



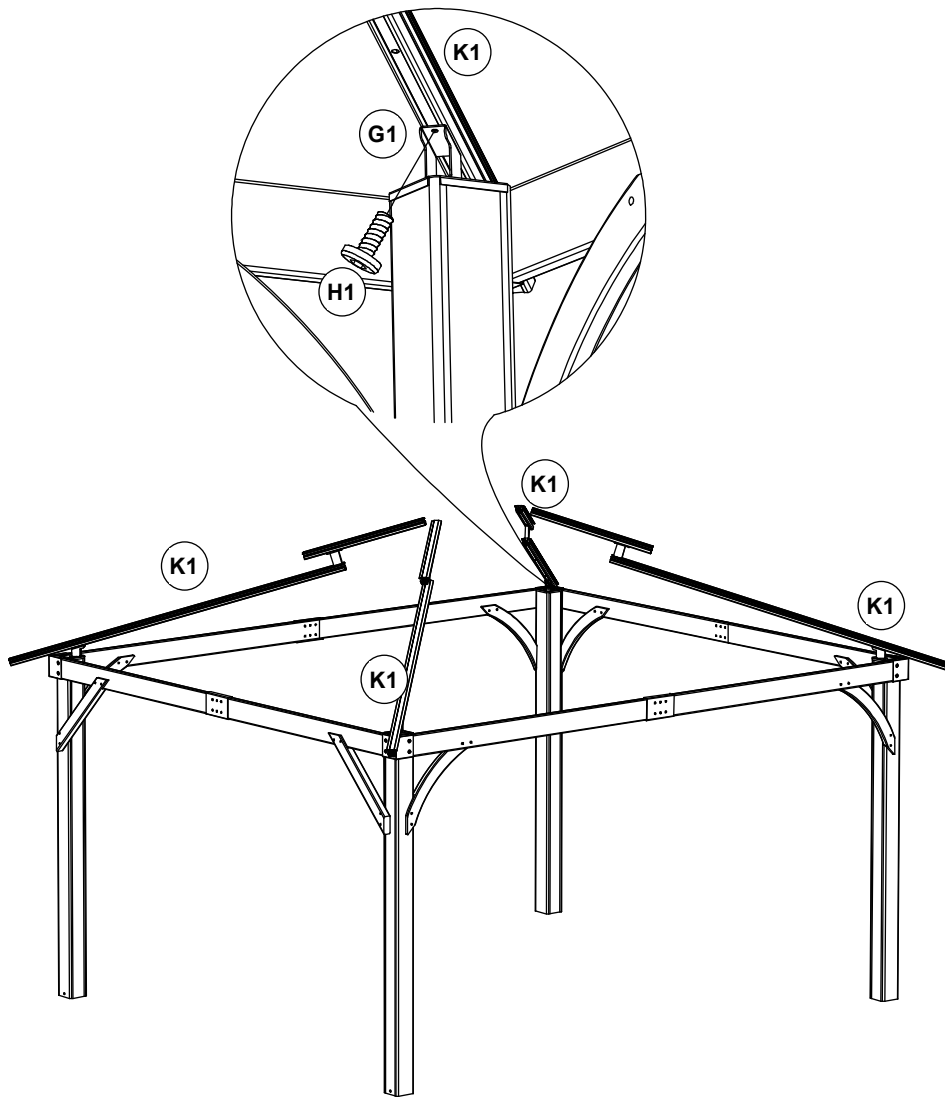
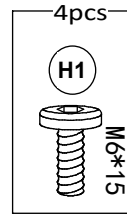
Install the corner bracket (F2) at the intersection of the short beam (B1) and the long beam (B2), securing it with bolts (H7).



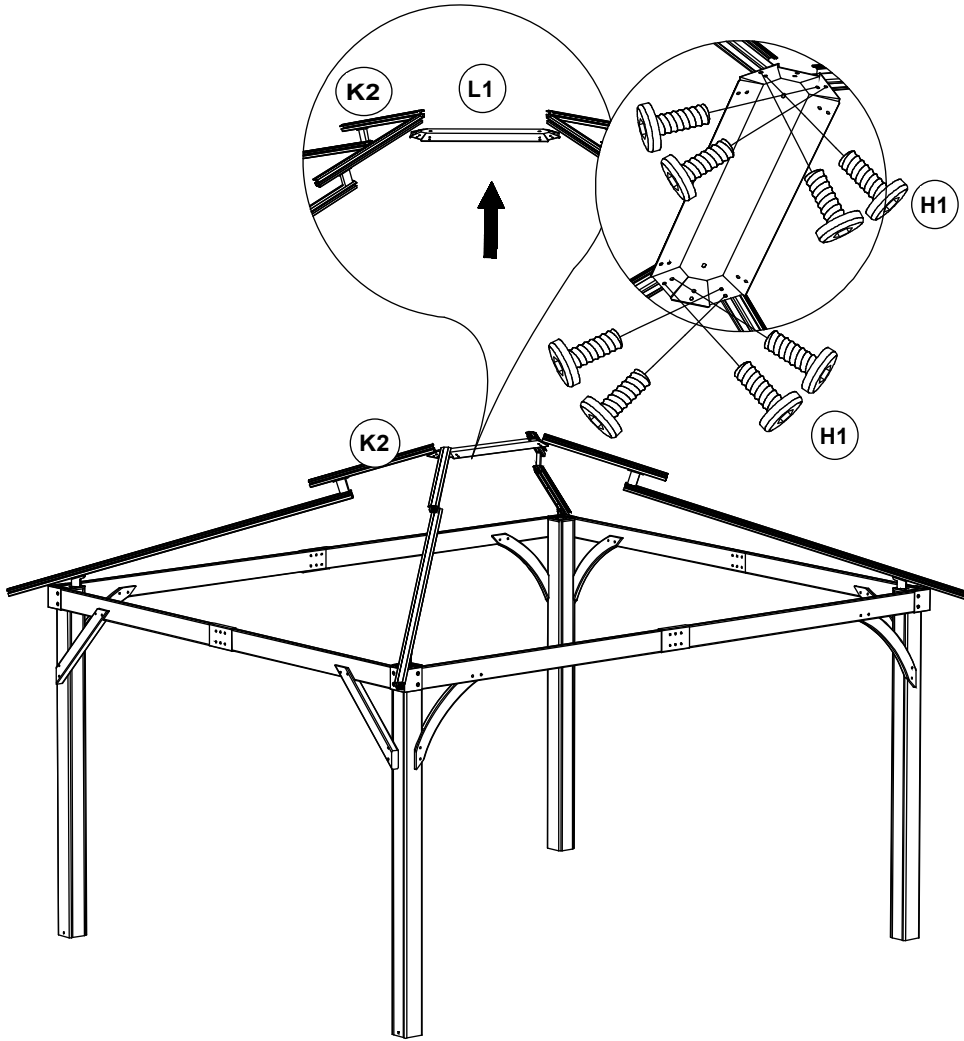
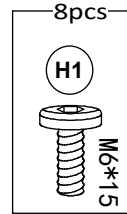
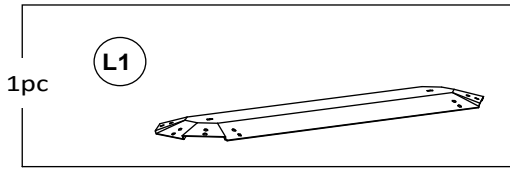
*Attach the lower diagonal brace connector (G1A) to the posts (A1/A2/A3) and secure it with bolts (H7).*



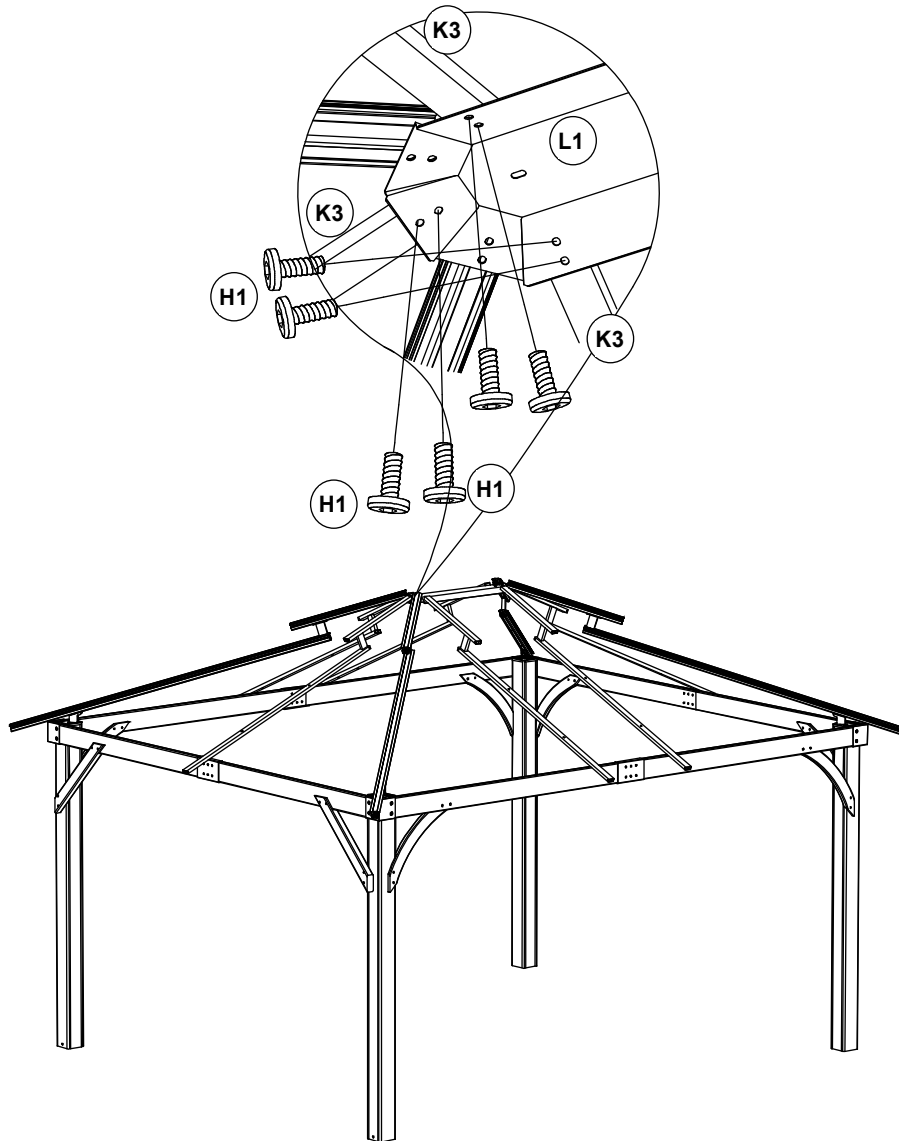
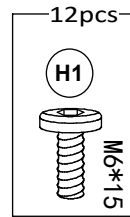
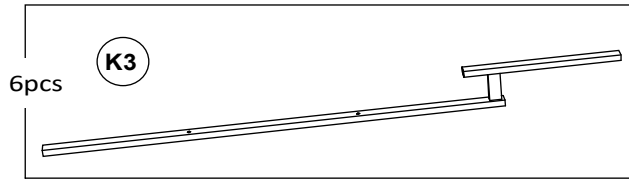
Connect the long diagonal beam (K1) and the short diagonal beam (K2) together using bolts (H1).



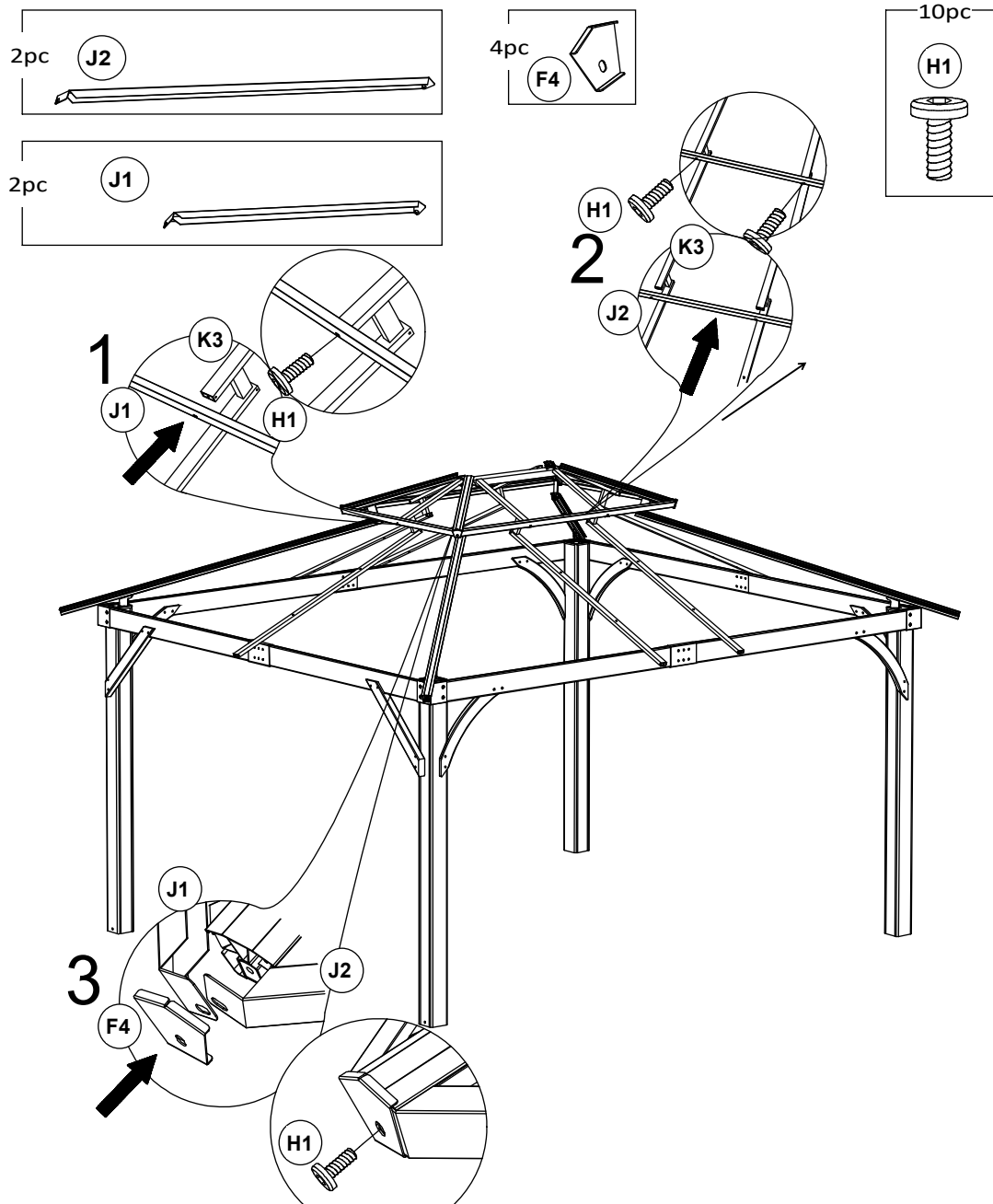
*Install the four assembled diagonal beams (K1) onto the diagonal brace connector (G1) and secure them with bolts (H1).*



Install the top connector (L1) onto the four short diagonal beams (K2) and secure it with bolts (H1).

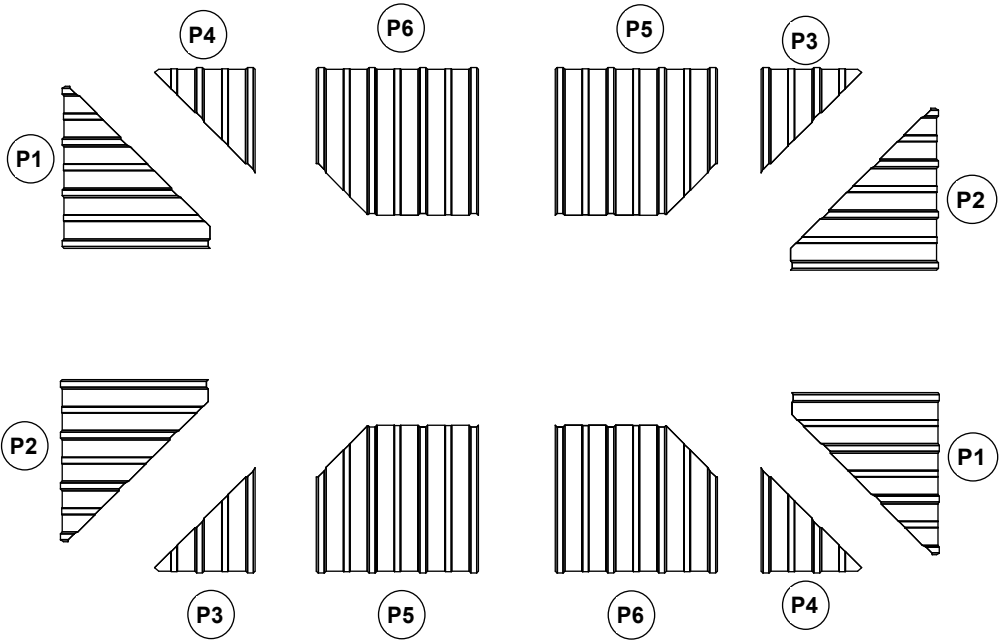
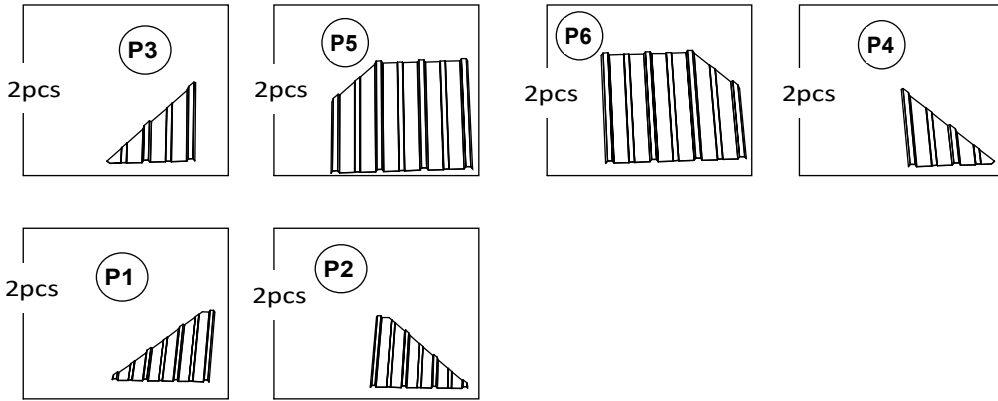


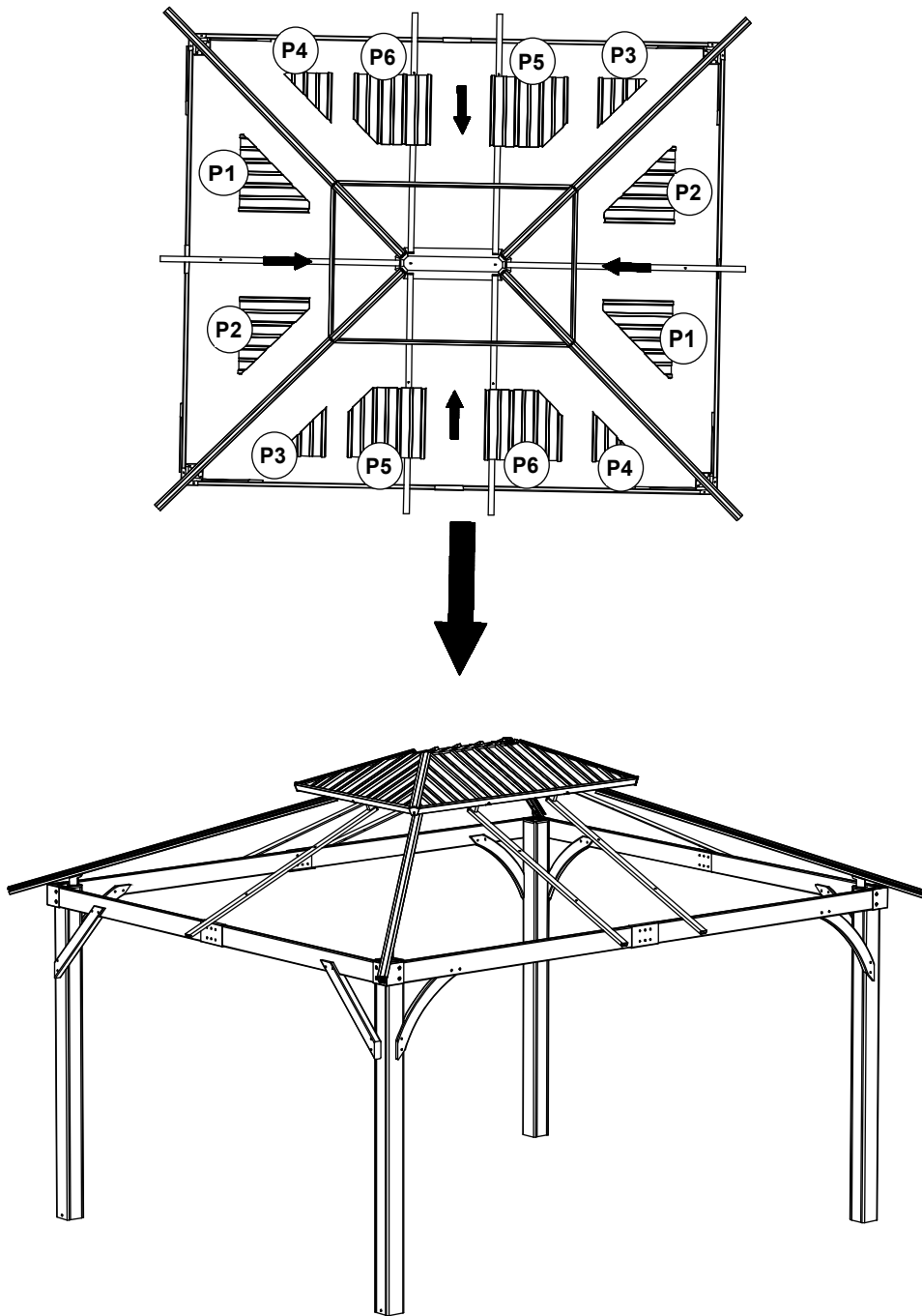
*Install the middle beam (K3) onto the top connector (L1) and secure it with bolts (H1).*



A. Install the small top short side guard pipe (J1) onto the middle beam (K2) and secure it with bolts (H1).

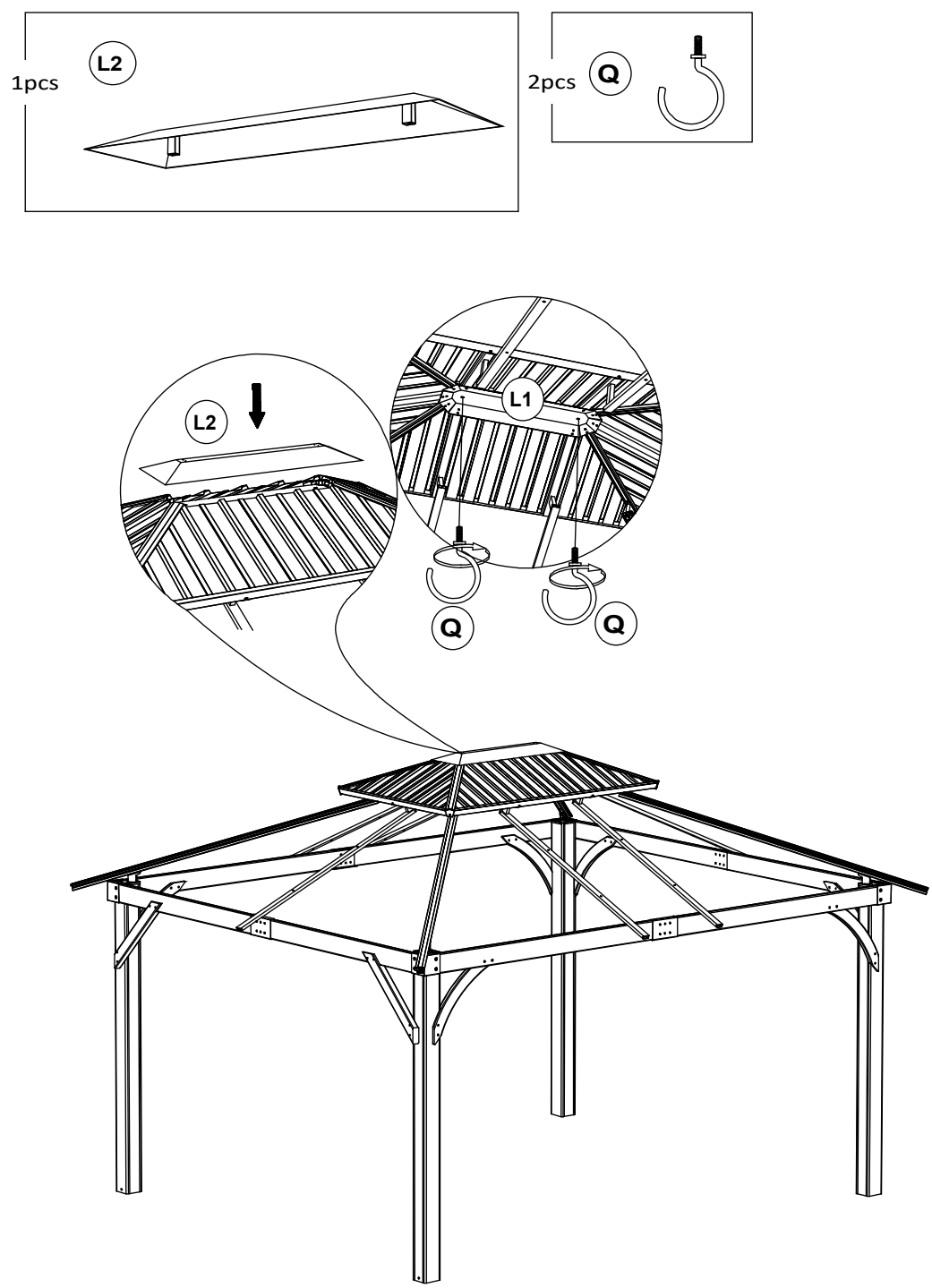
B. Install the small top long side guard pipe (J2) onto the middle beam (K2) and secure it with bolts (H1). **B.** Install the diagonal beam cover plates (F4) onto the short diagonal beam (K2), covering the small top short side guard pipe (J1) and the small top long side guard pipe (J2). Secure with bolts (H1).



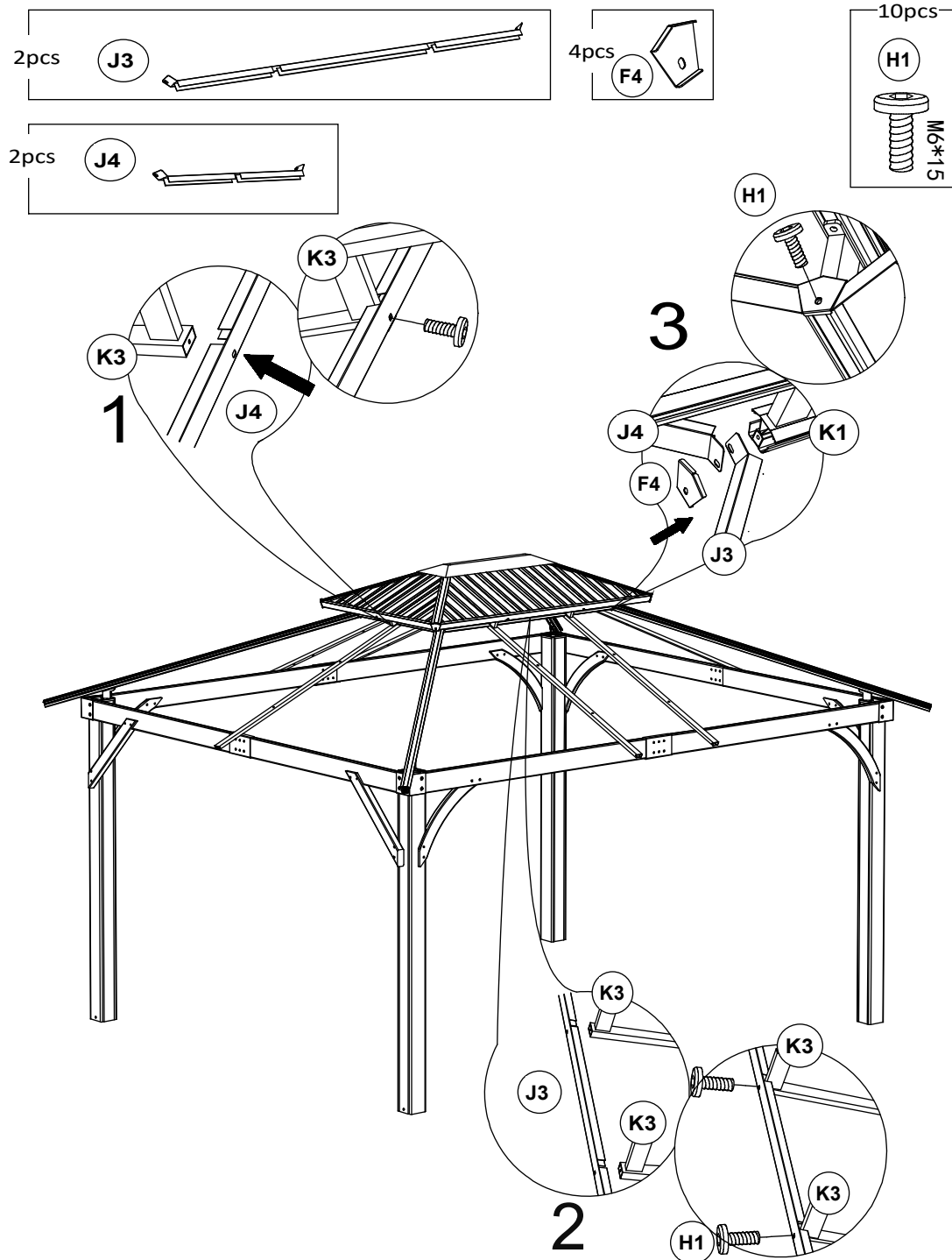


Insert the left small top short side panel (P1) and the right small top short side panel (P2) into the slots of the short diagonal beam (K2).

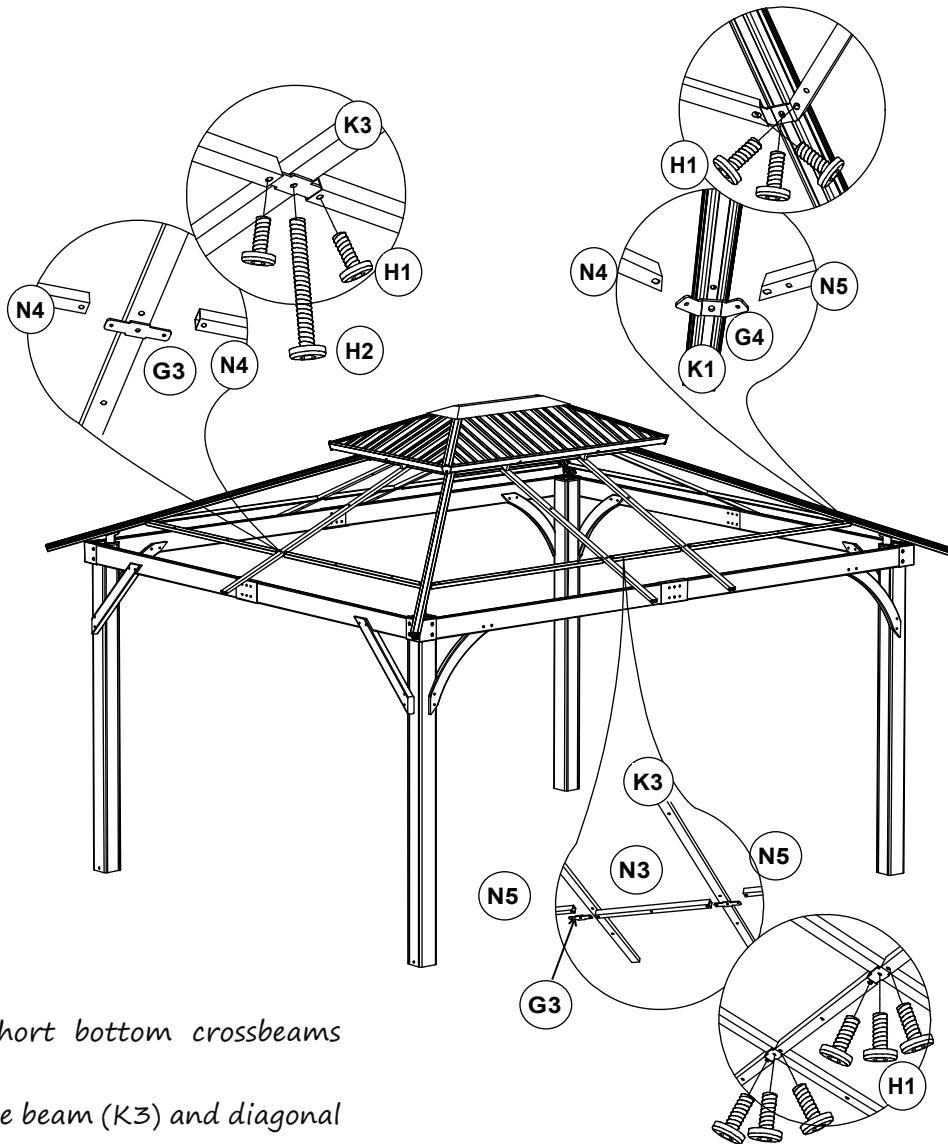
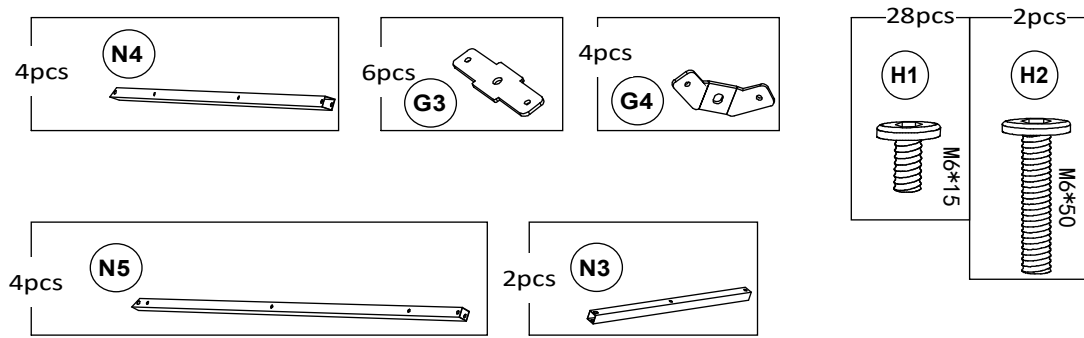
Insert the left small top long side panels (P3/P5) and the right small top long side panels (P4/P6) into the slots of the long diagonal beam (K2).



*Install the top cover (L2) onto the top connector (L1) and secure it with hooks (Q).*

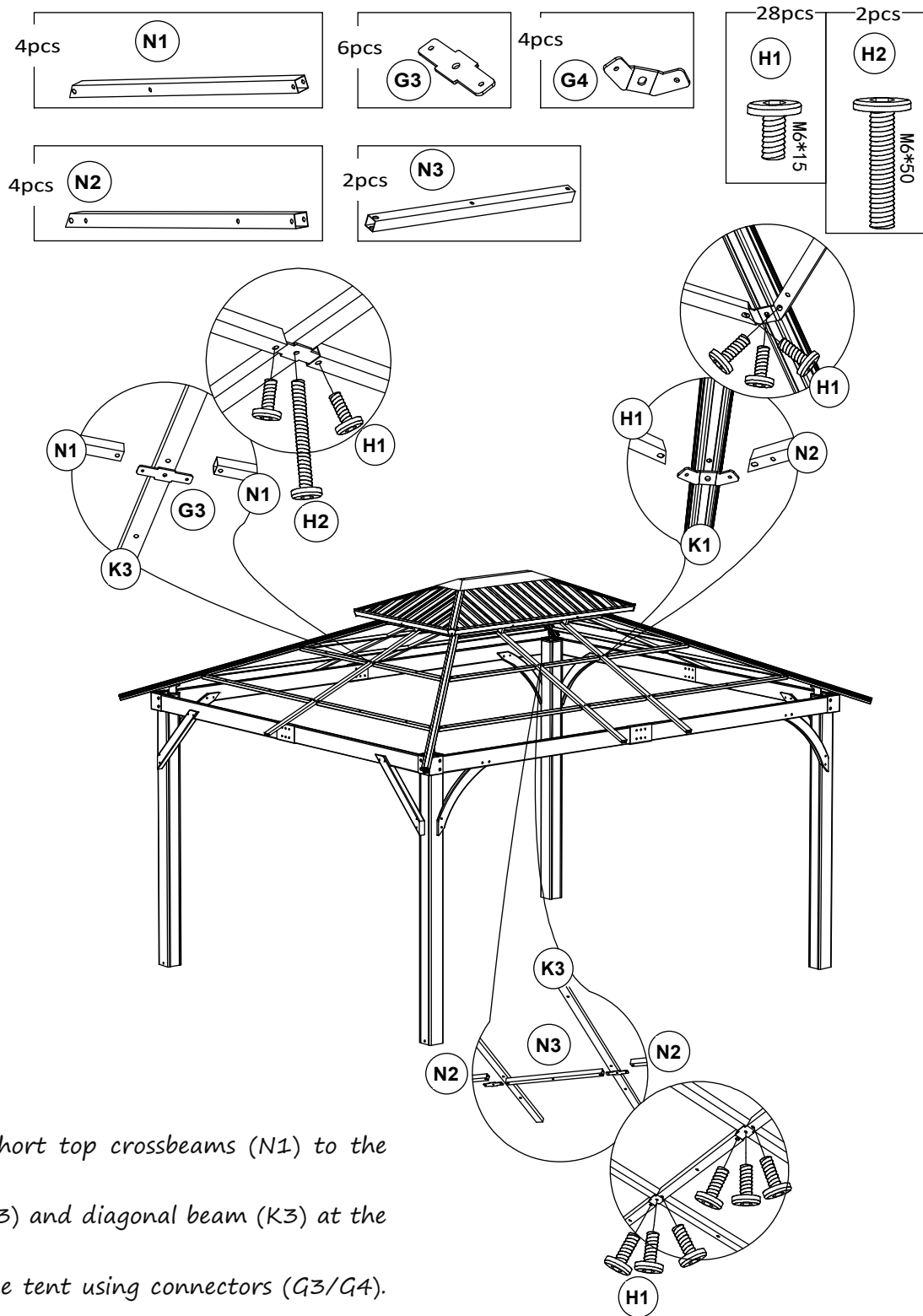


A. Install the long top guard pipe (J3) and the short top guard pipe (J4) onto the middle beam (K3) using bolts (H1). B. Install the diagonal beam cover plates (F4) over the long and short top guard pipes (J3/J4), securing them to the top ends of the long diagonal beams (K1) with bolts



A. Attach the short bottom crossbeams (N4) to the middle beam (K3) and diagonal beam (K3) at the short sides of the tent using connectors (G3/G4). Secure with

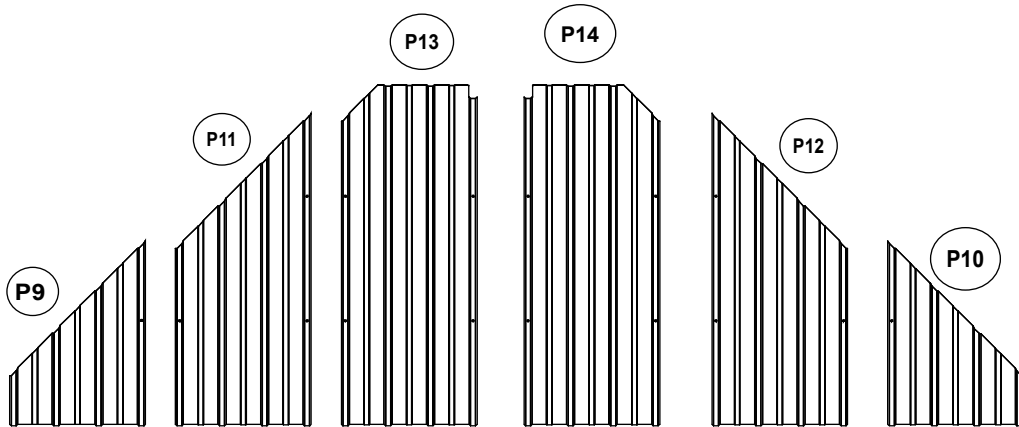
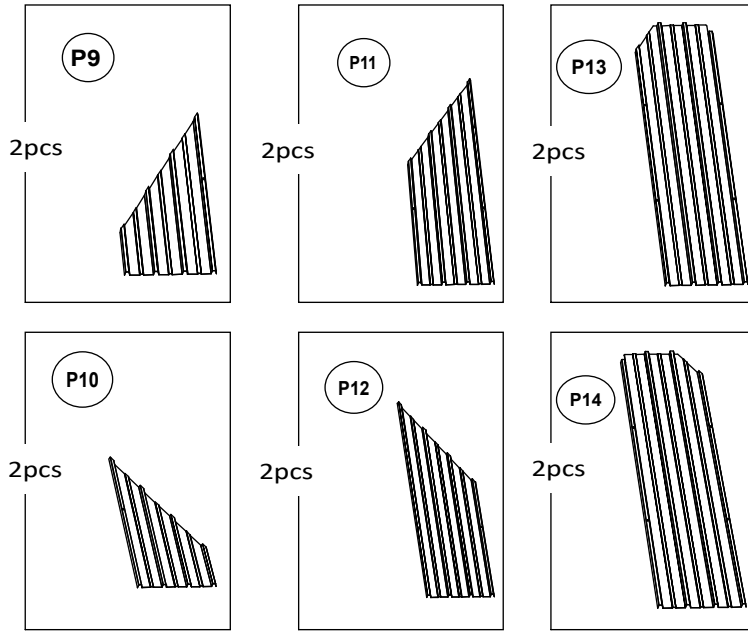
B. Attach the long bottom crossbeams (N5) to the middle beam (K1) and diagonal beam (K1) at the long sides of the tent using connectors (G3/G4). Secure with bolts (H1/H2). C. Attach the middle crossbeam (N3) to the middle beam (K3) using connectors (G3). Secure with bolts (H1).



A. Attach the short top crossbeams (N1) to the middle beam (K3) and diagonal beam (K3) at the short sides of the tent using connectors (G3/G4).

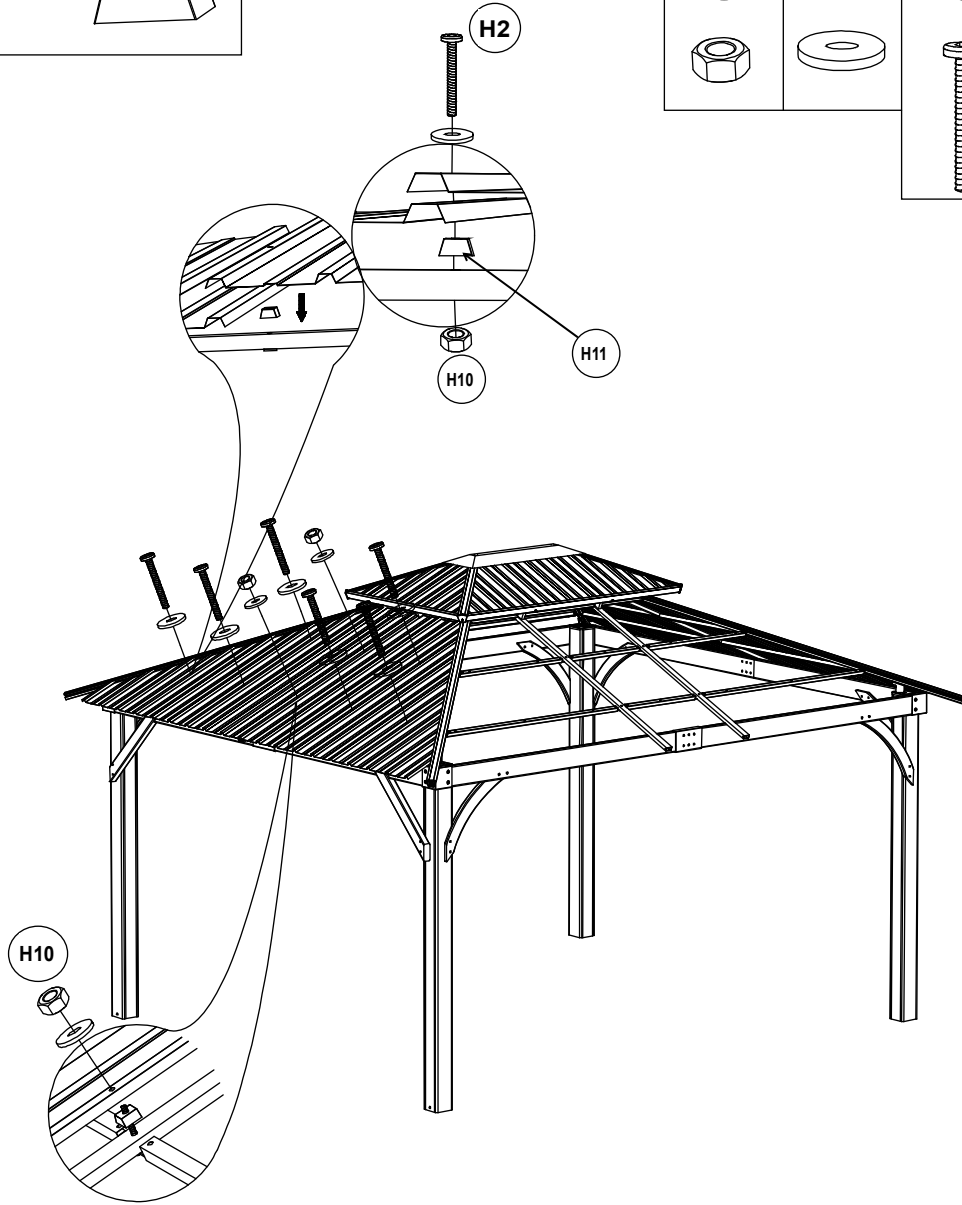
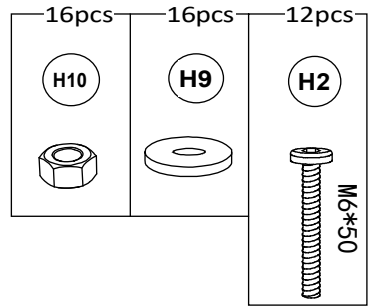
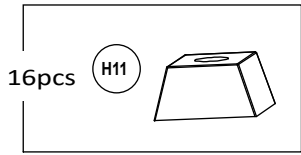
Secure with bolts (H1/H2)

B. Attach the long top crossbeams (N2) to the middle beam (K3) and diagonal beam (K3) at the long sides of the tent using connectors (G3/G4). Secure with bolts (H1/H2). C. Attach the middle crossbeam (N3) to the middle beam (K3) using connectors (G3). Secure with bolts (H1).

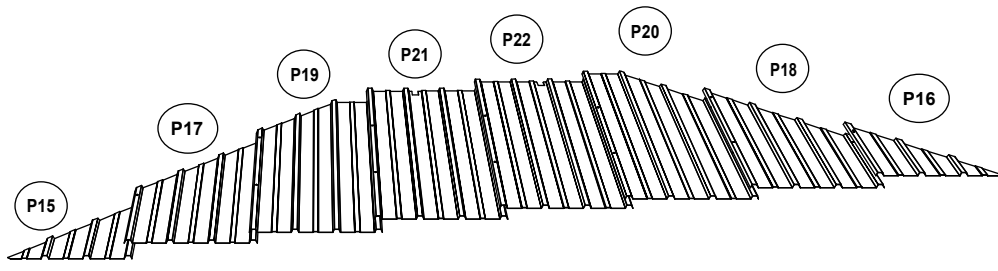
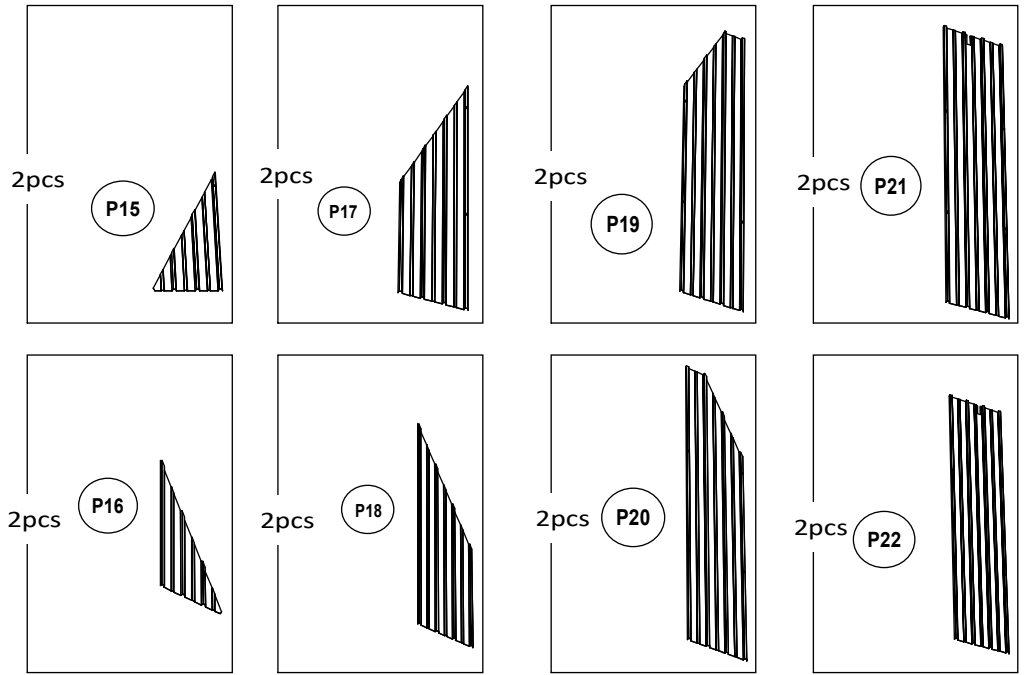


Arrange the large top short side panels (P9–P14) from left to right as follows:

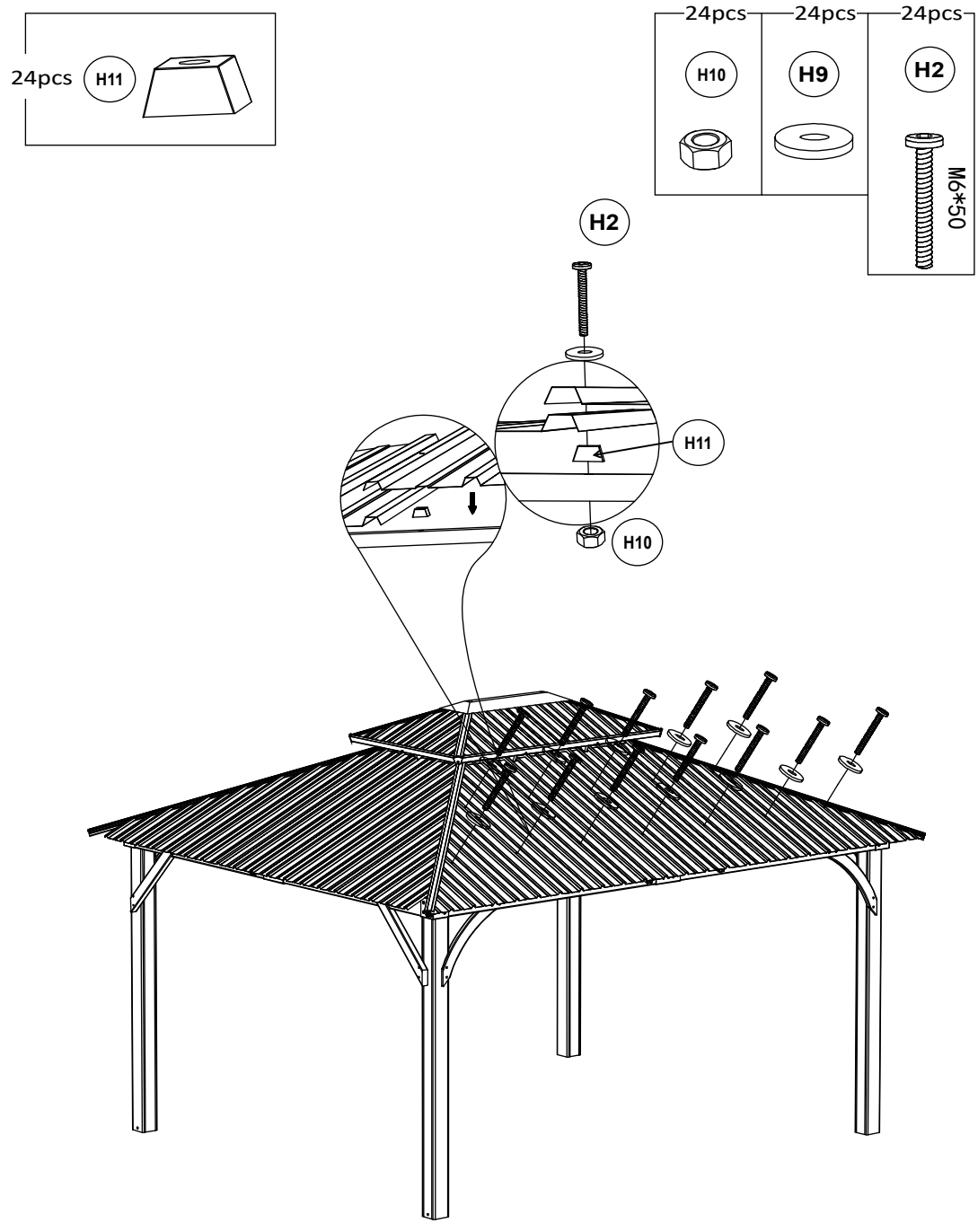
P9, P11, P13 (left side); P14, P12, P10 (right side).



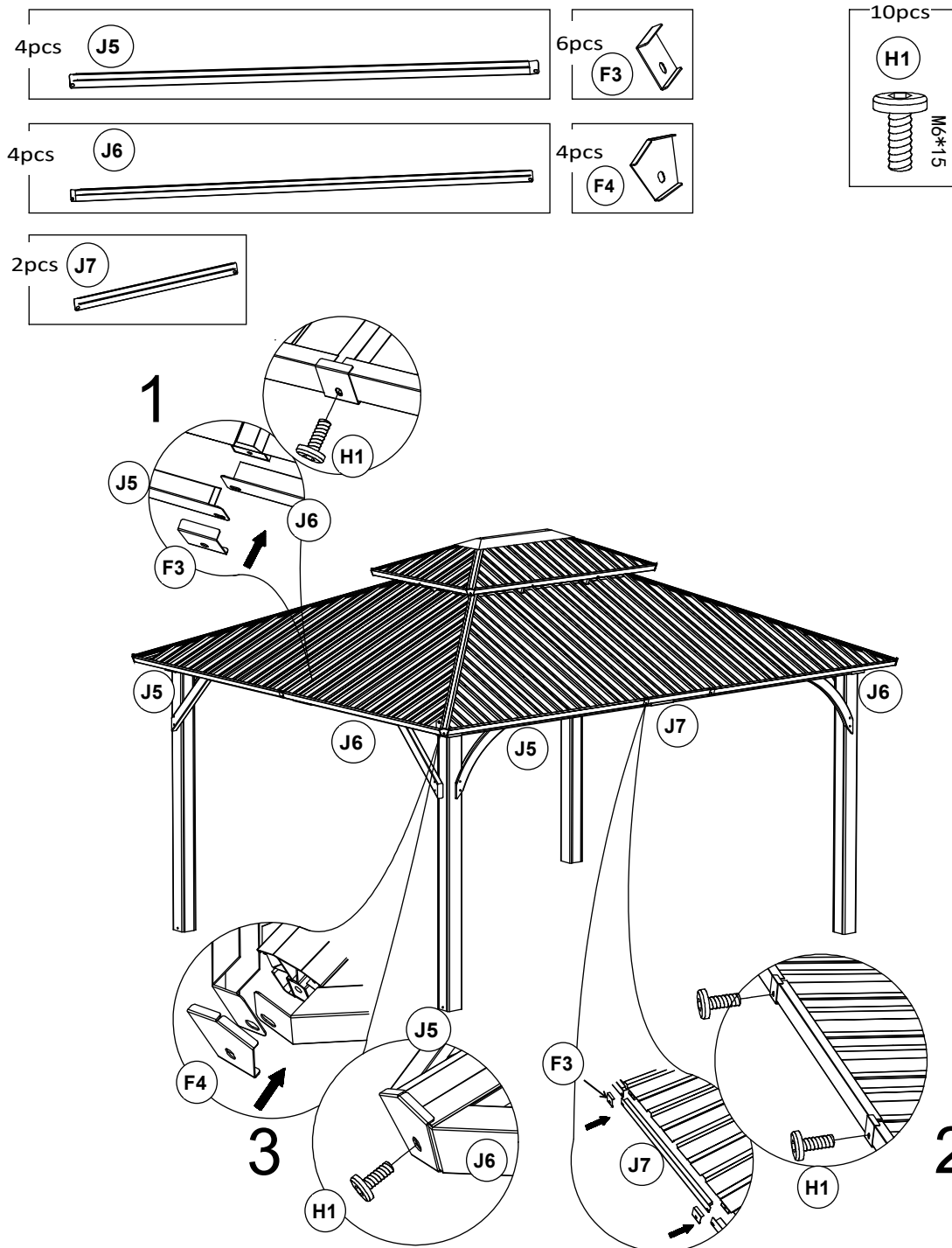
Install the large top short side panels (P9-P14) onto the sloped short sides of the top, securing them with bolts (H2/H9/H10).



Arrange the large top long side panels (P15–P22) from left to right as follows:  
P15, P17, P19, P21 (left side); P22, P20, P18, P16 (right side).

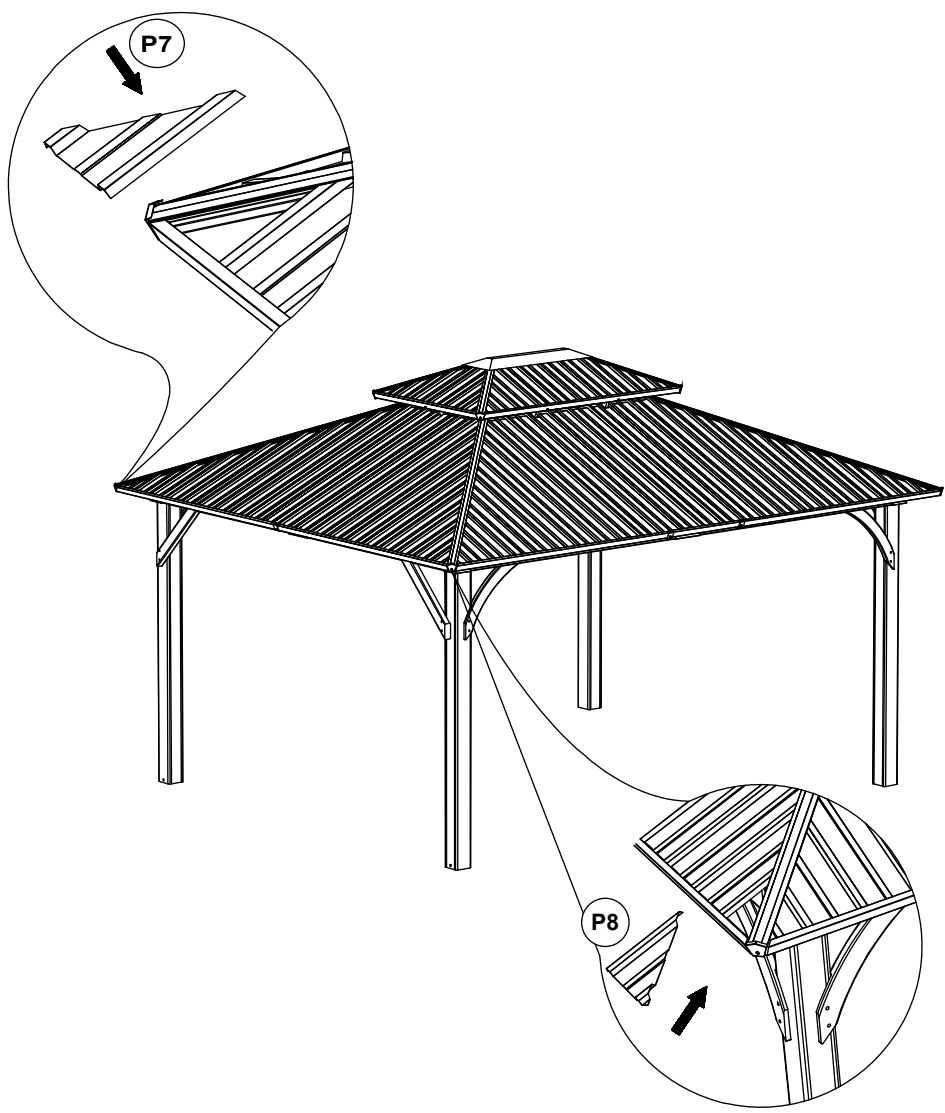
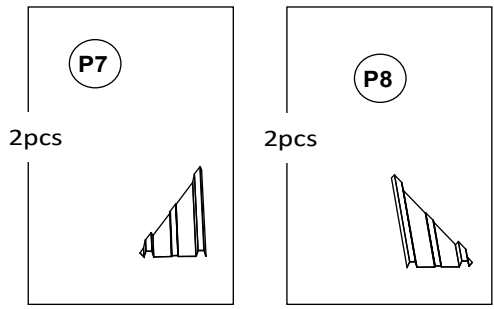


*Install the large top long side panels (P15–P22) onto the sloped long sides of the top, securing them with bolts (H2/H9/H10).*

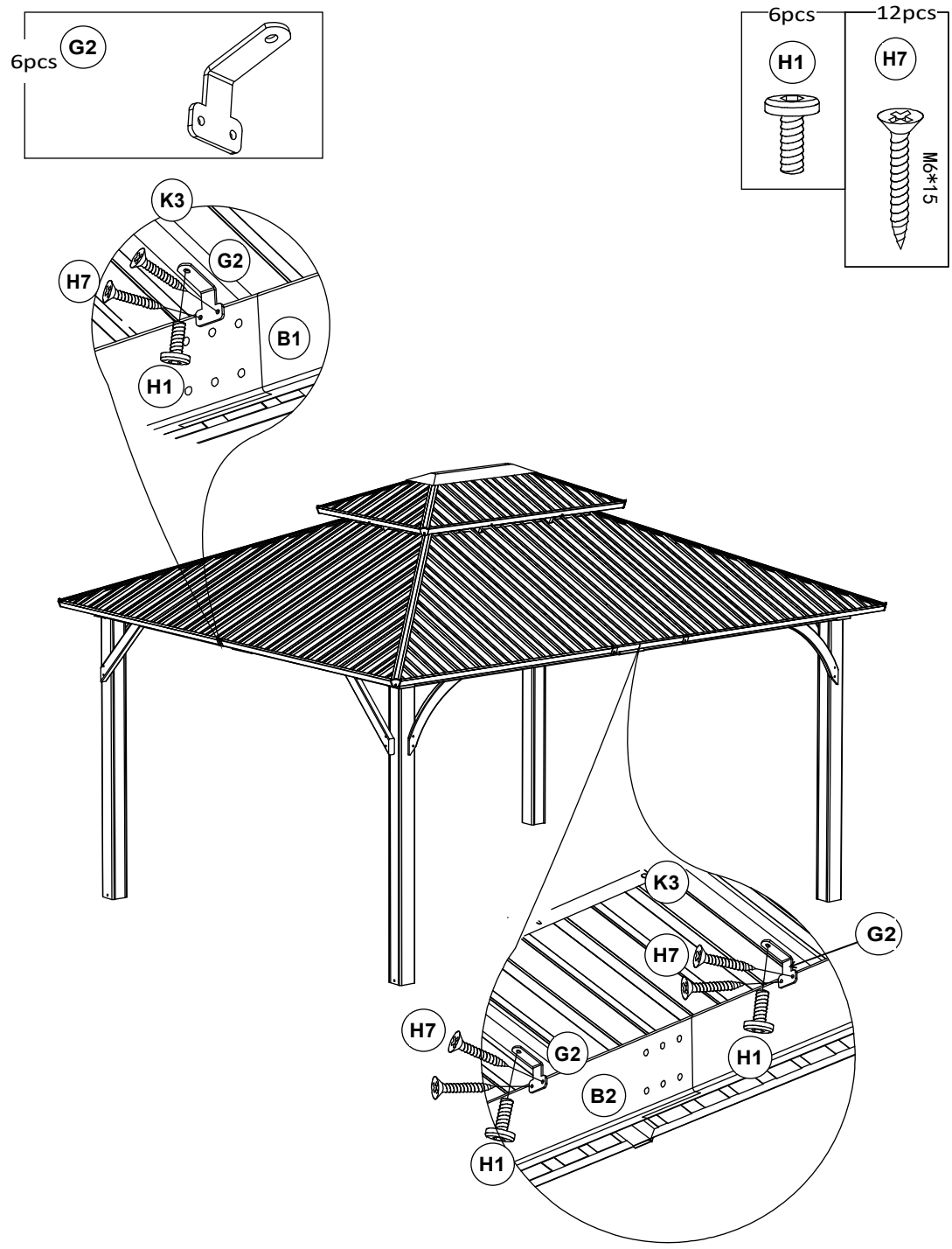


A. Install the large top left bottom guard pipe (J5), right bottom guard pipe (J6), and middle bottom guard pipe (J7) onto the middle beam (K3) using bolts (H1).

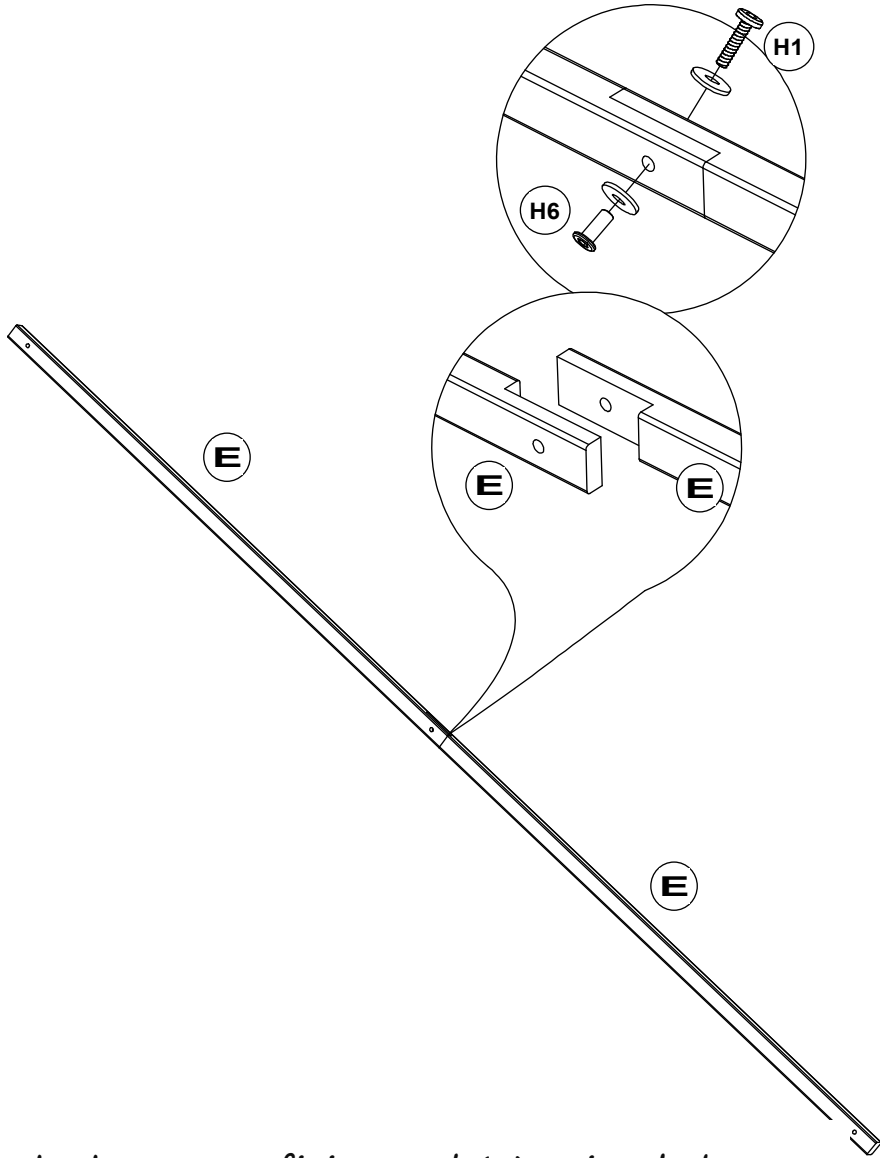
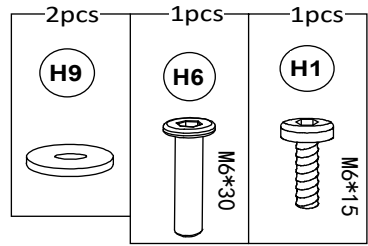
B. Cover the left and right bottom guard pipes (J5/J6) with diagonal



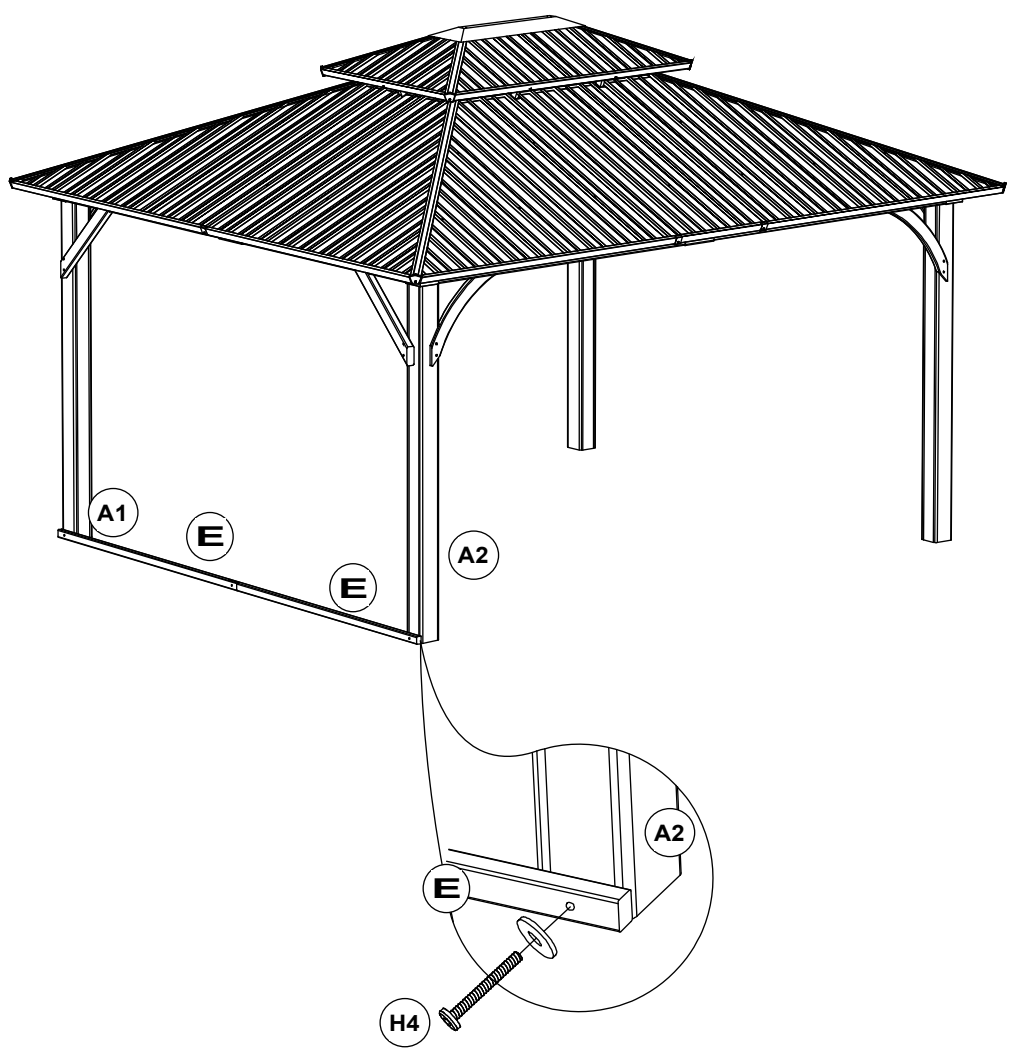
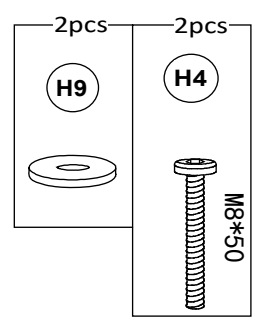
Insert P7 and P8 into the gaps between the tiles



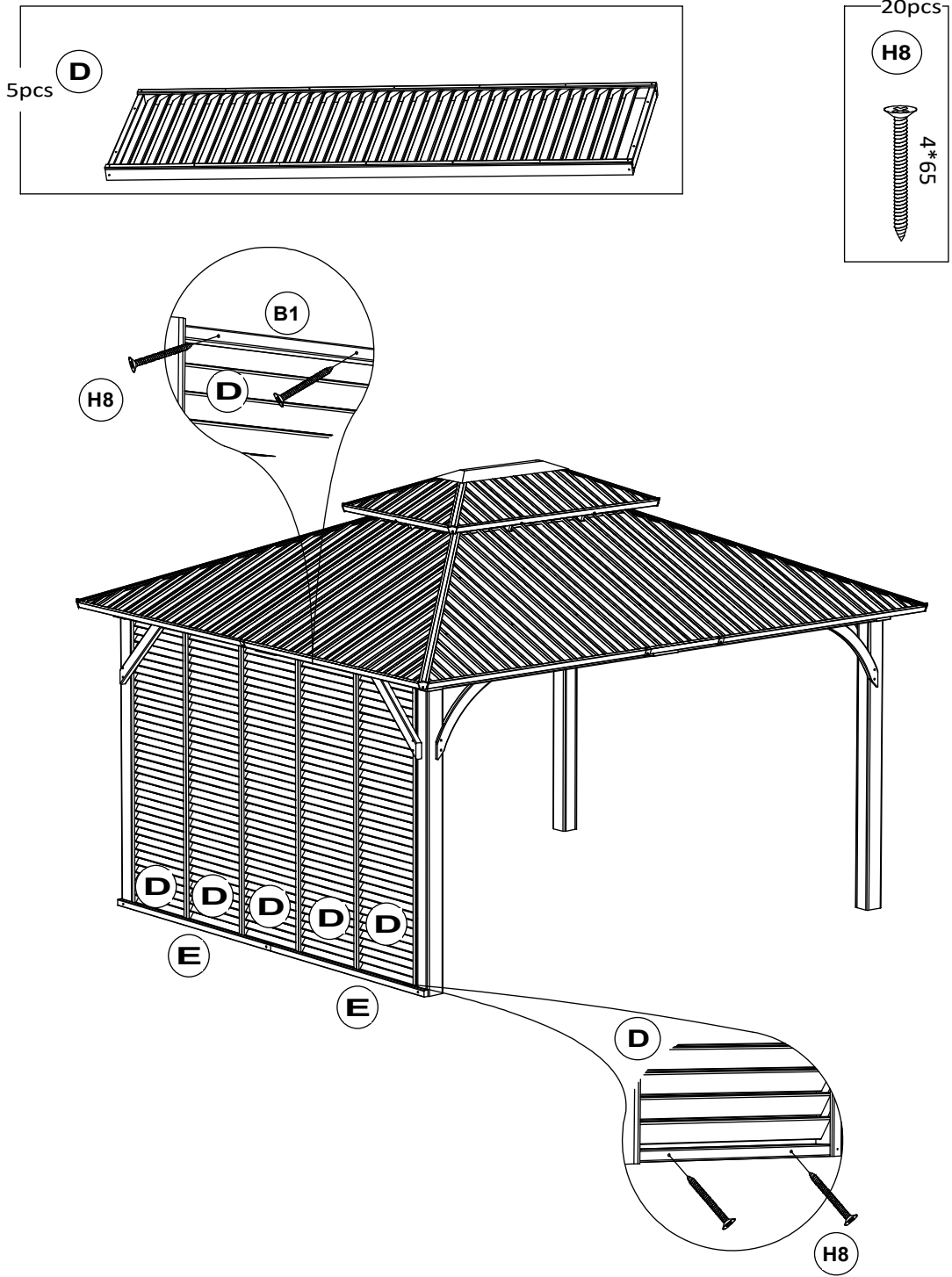
Install the middle beam lower connectors (G2) onto the short beams (B1), long beams (B2), and middle beam (K3), securing them with bolts (H1/H7).



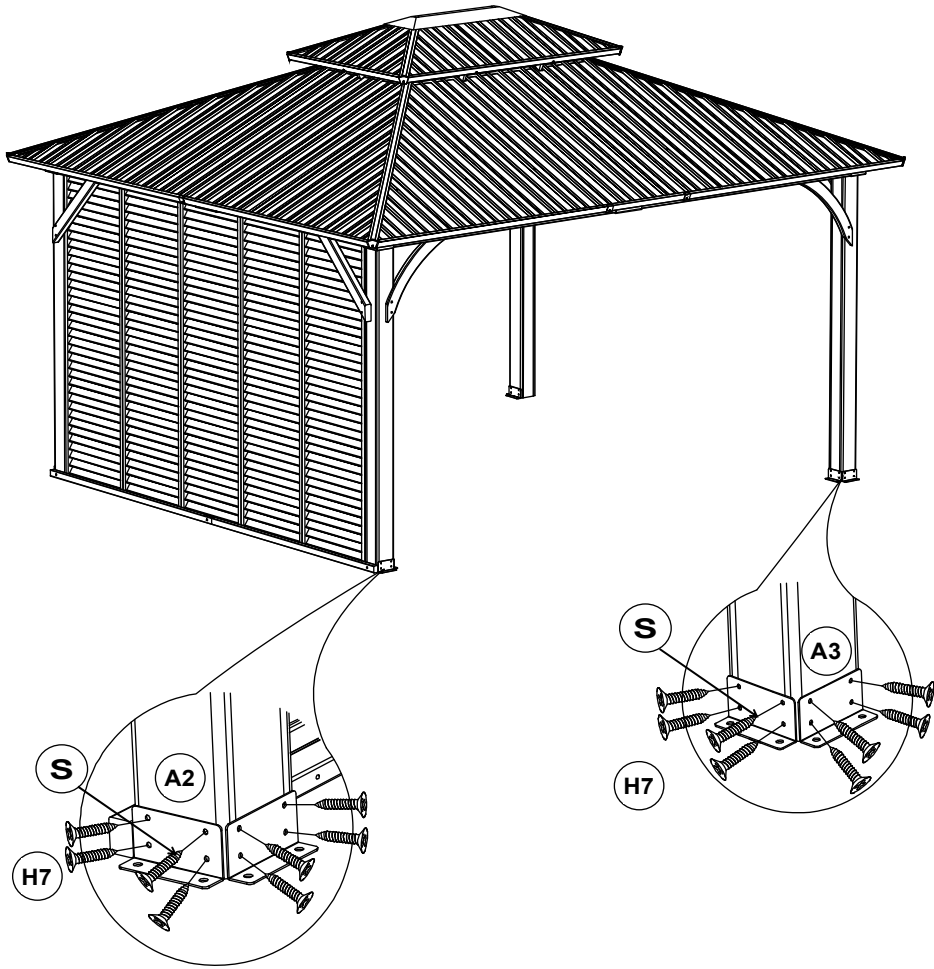
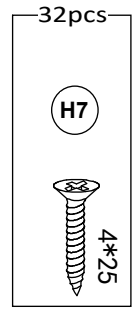
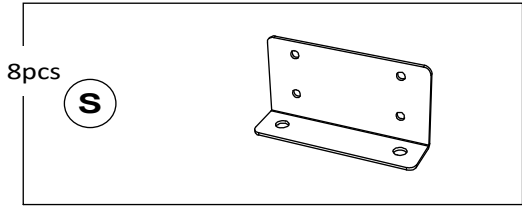
Attach the screen fixing rod (E) using bolts (H1/H6/H9).



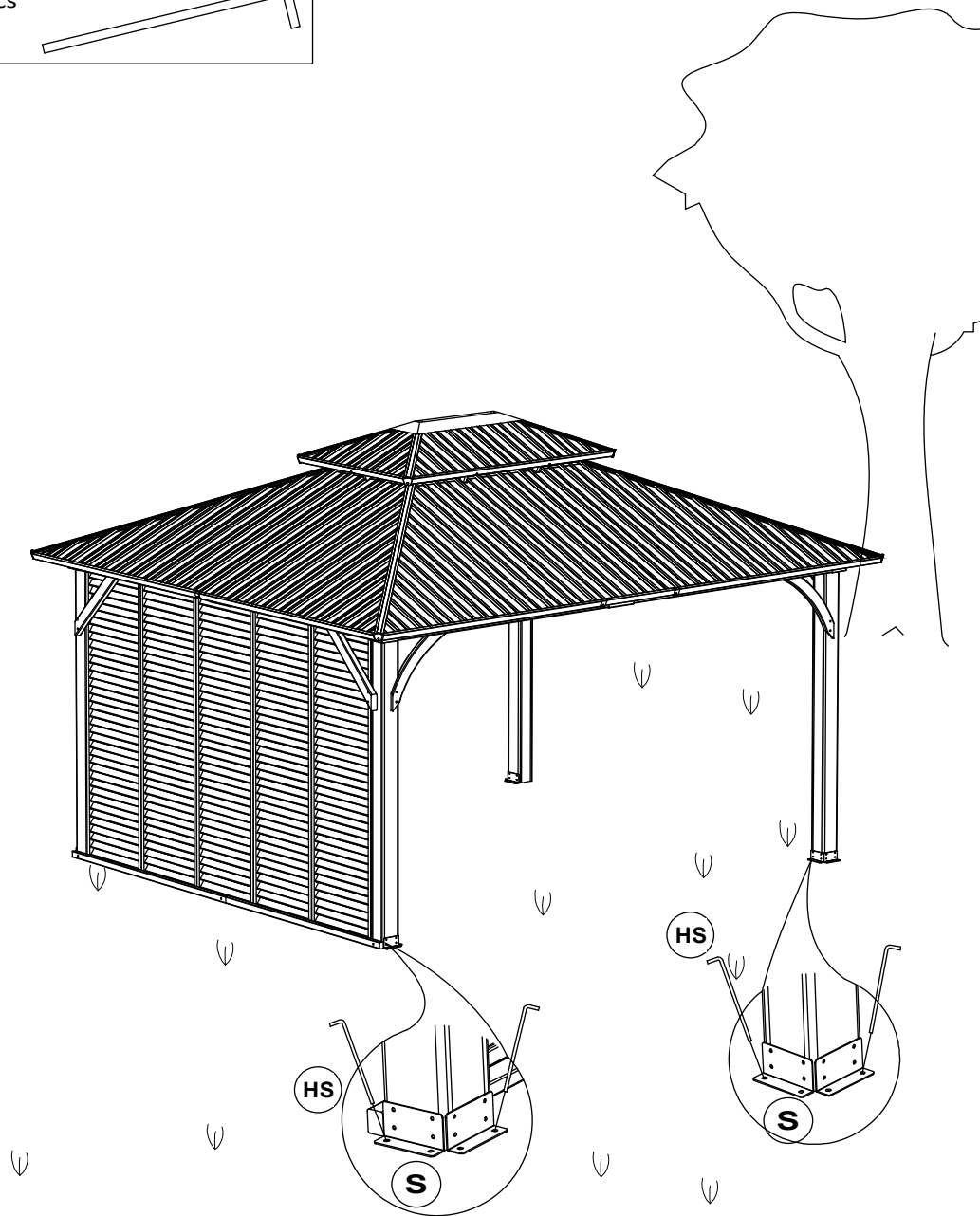
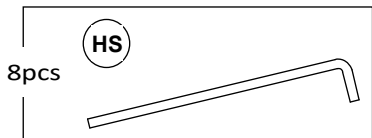
Install the screen fixing rod onto the left rear post (A1) and the left front post (A2), securing it with bolts (H4/H9).



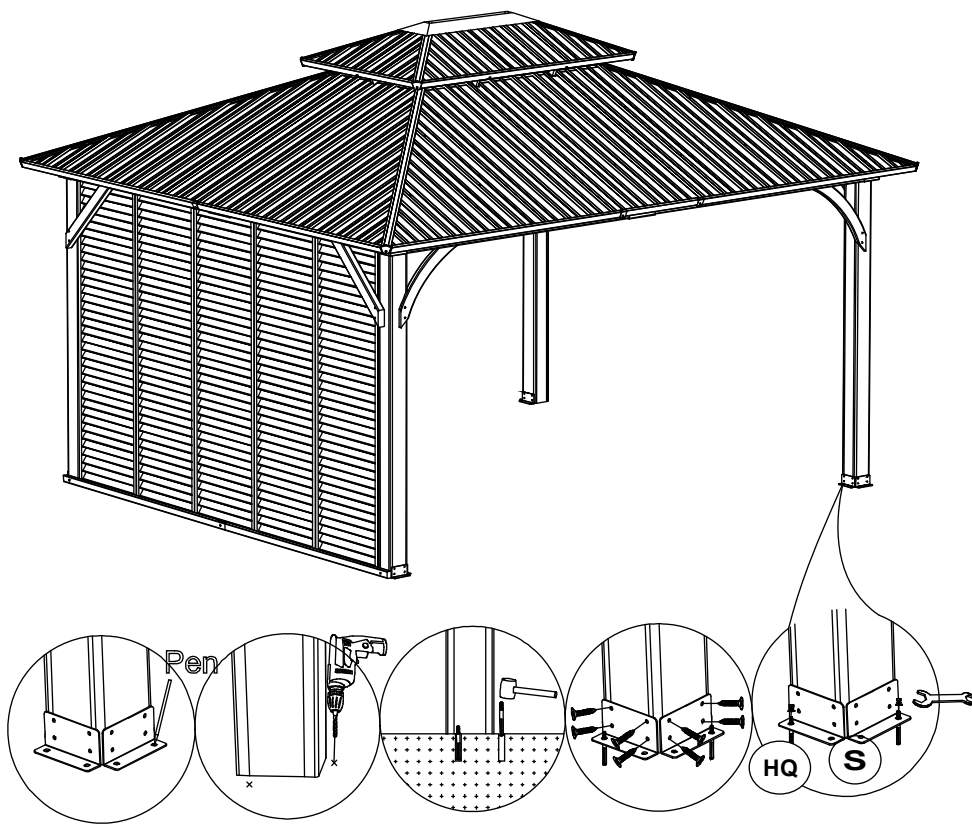
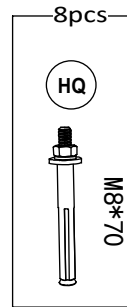
Install the screen (D) onto the inner sides of the short beams (B1) and screen fixing rods (E), securing it with bolts (H8).



Install the ground fixing plates (S) onto the posts (A1/A2/A3) and secure them with bolts (H7).



For soft ground, insert ground nails (HS) through the fixing plate (S) holes into the ground.



For hardened ground, secure the fixing plate (S) using expansion bolts (HQ).  
Pre-drill 8mm holes at marked positions (48A), insert anchors (51A), and  
tighten the screws with a wrench.

# Gazebo Maintenance and Reinforcement Guide

## Gazebo Maintenance and Reinforcement Guide

To ensure the long-term stability and safety of your gazebo in various environments, we've provided the following maintenance and reinforcement guide. Regular inspections and proper reinforcement measures will not only extend the lifespan of your gazebo but also help prevent structural damage caused by natural factors or unexpected usage conditions.

### 1. Regular Inspections and Fastening

#### Screw and Bolt Check

Frequency: Every 90 days.

#### Steps:

1. Use a wrench or screwdriver to check the tightness of all screws and bolts, especially at critical points such as connections between posts, beams, and the roof.
2. If any screws or bolts are loose, tighten them securely.
3. Rust Prevention: For metal components such as screws, bolts, and railings, regularly apply rust-proof paint or lubricant to prevent corrosion.

#### Note:

- . Avoid overtightening, which may damage threads or metal parts.
- . Replace rusted or worn screws and bolts with stainless steel alternatives.

#### Structural Stability Check

- . Use a spirit level to ensure the gazebo is vertically and horizontally aligned.
  - . Inspect cantilevered parts, such as eaves or beams, for deformation or cracks, as these areas bear complex loads.
  - . Examine corners and joints to ensure secure connections with no signs of cracks or warping.
  - . If the gazebo feels unstable or tilted, adjust the foundation fasteners (e.g., expansion bolts or ground anchors) to restore balance.
- ### 2. Reinforcement Measures

#### Install Crossbars

- . Add crossbars at the top or middle of the gazebo, connecting posts or beams horizontally. This enhances rigidity and torsional strength.
- . Install scissor braces on the sides or inside the gazebo to improve overall structural stability and resistance to external forces.

#### Expansion Bolt Reinforcement

##### Recommendations:

- . For gazebos installed on concrete foundations, add additional expansion bolts to improve wind resistance.
- . Insert expansion bolts into pre-drilled holes in the gazebo post bases, tightening with a wrench to secure.
- .

Frequency: Annually inspect expansion bolts for stability, replacing any that are aging or loose.

#### Additional Ground Anchors

Applicable Scenarios: Suitable for gazebos on brick, hard ground, or other non-concrete foundations.

#### Steps:

1. Drill holes near each post base and insert ground anchors.
2. Use bolts to firmly connect the ground anchors to the gazebo base.

Benefit: Ground anchors significantly enhance stability, especially in windy conditions.

### 3. Extreme Weather Preparation

## Wind Straps

**Recommended Use:** In windy regions or during seasonal high winds.

### Steps:

1. Attach one end of the wind strap to the gazebo's top or midsection and secure the other end to ground expansion bolts or heavy objects. 2. Ensure the strap is taut but does not overly strain the gazebo structure.

**Benefit:** Minimizes shaking and improves structural stability during strong winds.

## Post Reinforcement

. Use metal clamps or reinforcement brackets to secure posts and beams in windy areas, further enhancing wind resistance.

## 4. Roof and Drainage Maintenance

### Clearing Snow and Leaves

#### Winter:

. Promptly remove snow from the roof after heavy snowfall to prevent deformation or collapse.

#### Fall:

. Regularly clear leaves to avoid clogging roof drainage holes and ensure proper water flow.

## Roof Panel Fastening

. Periodically check roof panel screws for looseness. Tighten or replace as needed.  
. For thinner roof panels, add internal reinforcement strips to improve load capacity and prevent deformation from wind or heavy loads.

## 5. Benefits of Self-Maintenance

By implementing the above reinforcement measures, you can significantly enhance the performance and user experience of your gazebo:

. **Increased Safety:** Improved resistance to wind, snow, and seismic forces, reducing potential damage from natural disasters.

. **Extended Lifespan:** Maintenance and reinforcement slow down the aging process of components, reducing replacement costs.

. **Flexibility:** Adjust and optimize reinforcement methods based on specific environments and seasonal changes.

## 6. Special Tips

. **Tool Preparation:** Before reinforcement and maintenance, ensure you have essential tools ready, including a power drill, expansion bolts, wrench, spirit level, and protective gloves.?

**Safe Operation:** Perform all tasks with the gazebo in a stable condition to avoid accidents caused by tilting or instability.

. **Customer Support:** If you have any questions about reinforcement operations or require detailed guidance, feel free to contact our customer service team.

## Customer Support Contact:

. Email: [service@grandtunnel.com](mailto:service@grandtunnel.com)