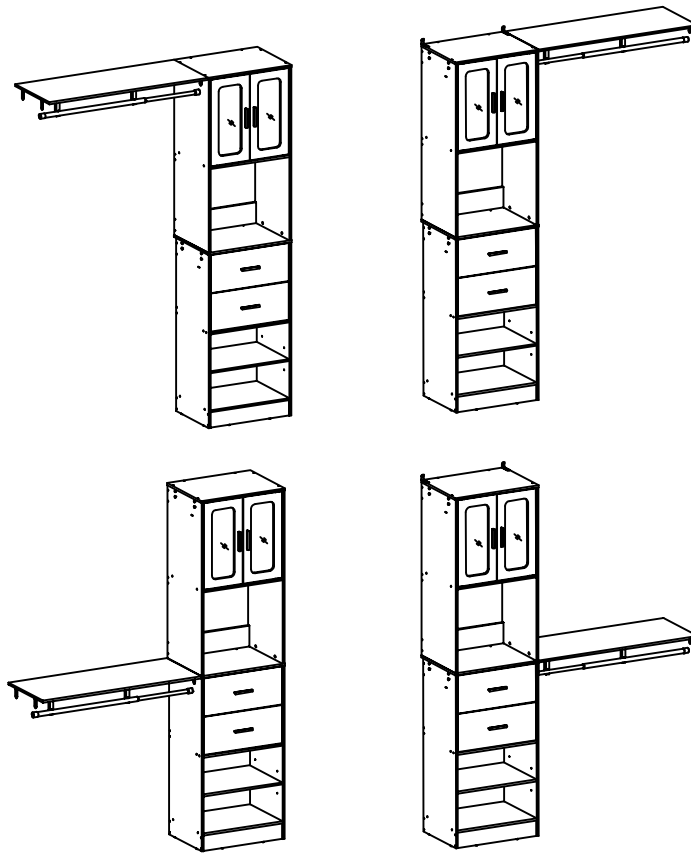
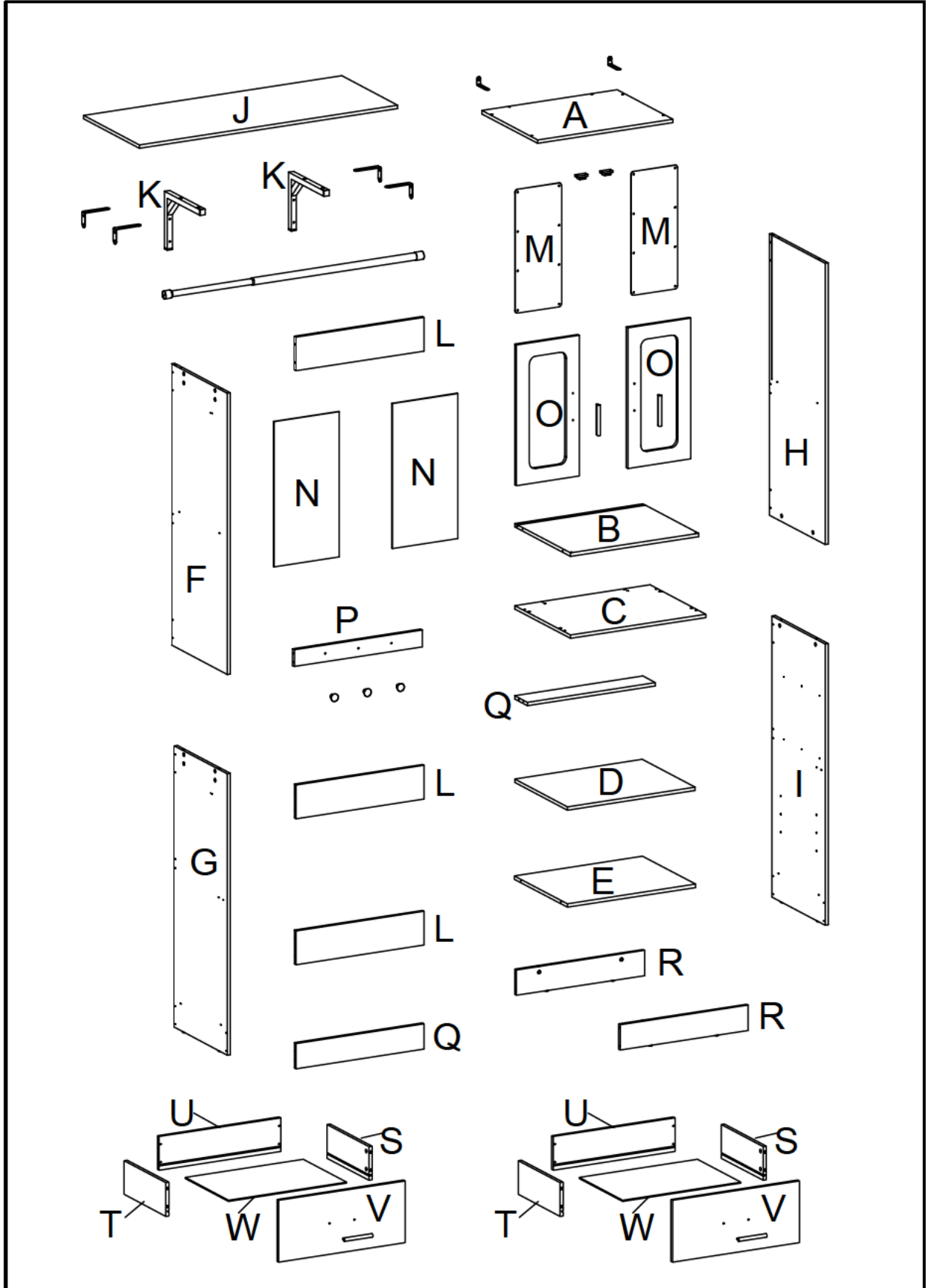


# Assembly Instructions







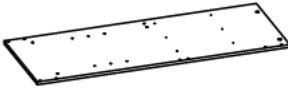

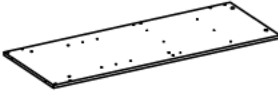

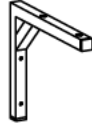



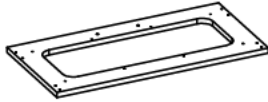










Attention: Please ensure you have all parts before commencing assembly.  
Please read all the instructions before commencing.

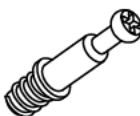

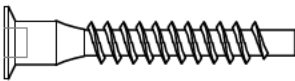
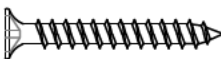
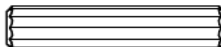
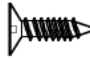




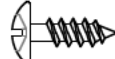
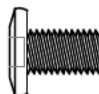

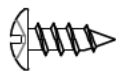



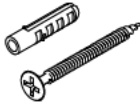





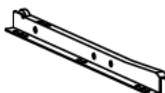




PART LIST



**PART LIST**

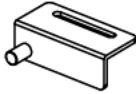
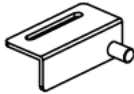

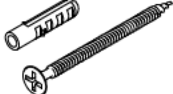


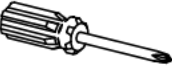
<p>A x 1pc</p> 	<p>B x 1pc</p> 	<p>C x 1pc</p> 	<p>D x 1pc</p> 
<p>E x 1pc</p> 	<p>F x 1pc</p> 	<p>G x 1pc</p> 	<p>H x 1pc</p> 
<p>I x 1pc</p> 	<p>J x 1pc</p> 	<p>K x 2pcs</p> 	<p>L x 3pcs</p> 
<p>M x 2pcs</p> 	<p>N x 2pcs</p> 	<p>O x 2pcs</p> 	<p>P x 1pc</p> 
<p>Q x 2pcs</p> 	<p>R x 2pcs</p> 	<p>S x 2pcs</p> 	<p>T x 2pcs</p> 
<p>U x 2pcs</p> 	<p>V x 2pcs</p> 	<p>W x 2pcs</p> 	

## HARDWARE LIST

①  M6x28      20 pcs	②  Ø12      20 pcs	③  M6x40      52 pcs	④  M4x30      8 pcs
⑤  M6x30      4 pcs	⑥  M3x12      28 pcs	⑦  Ø7x19      4 pcs	⑧  M4x15      11 pcs
⑨  3 pcs	⑩  M6x27      4 pcs	⑪  M3.5x12      24 pcs	⑫  M6x10      4 pcs
⑬  100x55      4 pcs	⑭  M4x12      8 pcs	⑮  66-122cm      1 pc	⑯  1 pc
⑰  1 pc	⑱  M4x40      2 pcs	⑲  M4x40      4 pcs	⑳  M4x40      2 pcs
㉑  300L      2 pcs	㉒  300L      2 pcs	㉓  300L      2 pcs	㉔  300L      2 pcs
㉕  M3x16      2 pcs	㉖  M4x12      2 pcs	㉗  4 pcs	㉘  4 pcs

\*Please count and verify all parts before assembly.\*

## HARDWARE LIST

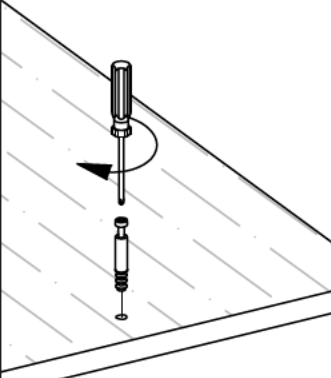
<p>29</p>  <p>2 pcs</p>	<p>30</p>  <p>2 pcs</p>	<p>31</p>  <p>2 pcs</p>	<p>32</p>  <p>M4x60 4 pcs</p>
<p>33</p>  <p>504L 1 pc</p>	<p>34</p>  <p>M4 1 pc</p>	<p>35</p>  <p>1 pc</p>	

\*Please count and verify all parts before assembly .\*

# How to install Camlocks

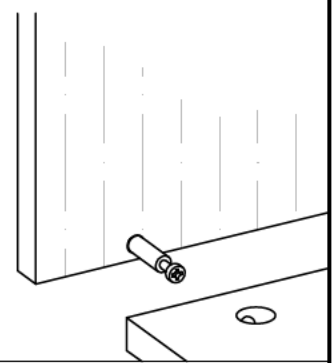
Connect the male camlock as directed in the assembly instructions with a screwdriver.

**1** DO NOT OVER TIGHTEN



Put the male camlock into the entry hole.

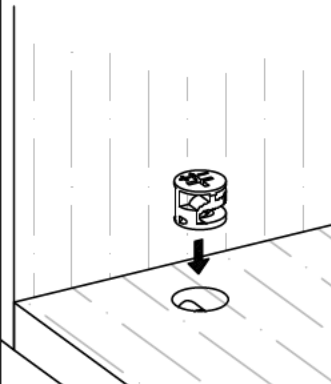
**2**



Insert the female camlock as shown in the instruction.

Note: ensure that the arrow on the top of the camlock points toward the entry hole for the male camlock.

**3**

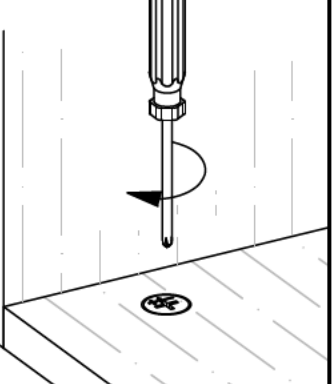


Screw the female camlock clockwise with a screwdriver.

You will feel a click when the camlock is locked in place.

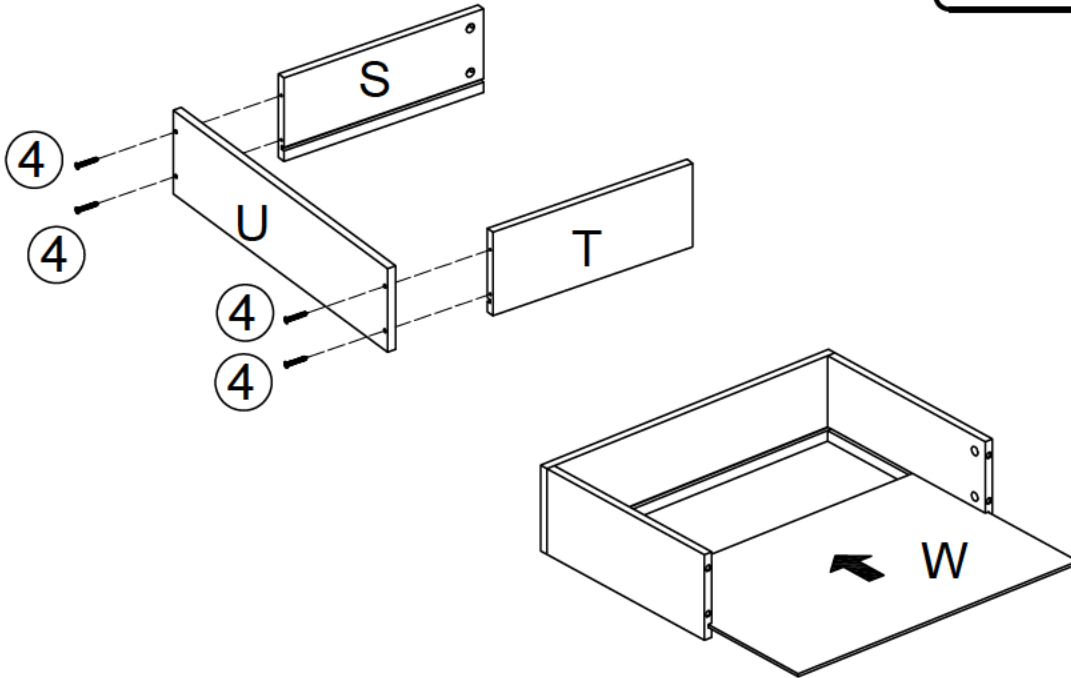
The camlock is now completed.

**4**



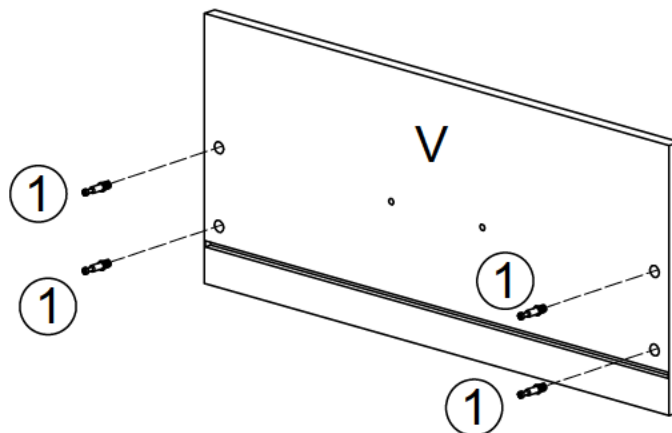
### STEP 1

4  x4



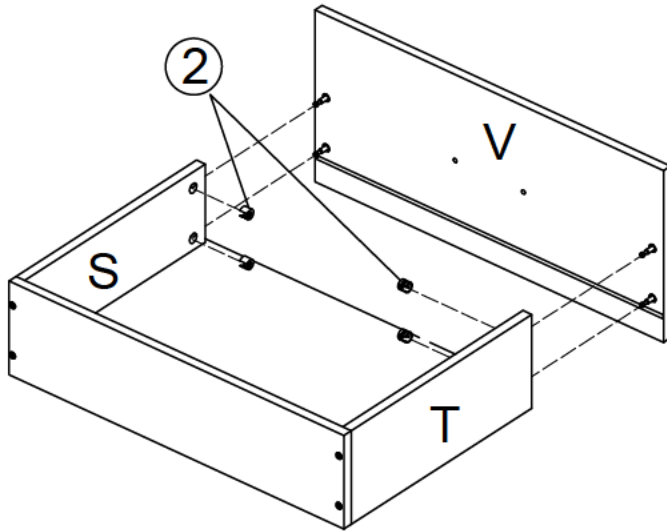
### STEP 2

1  x4



### STEP 3

②  x4

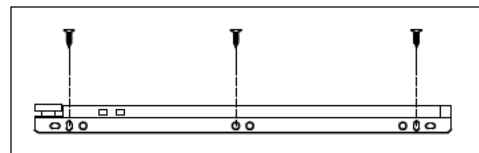
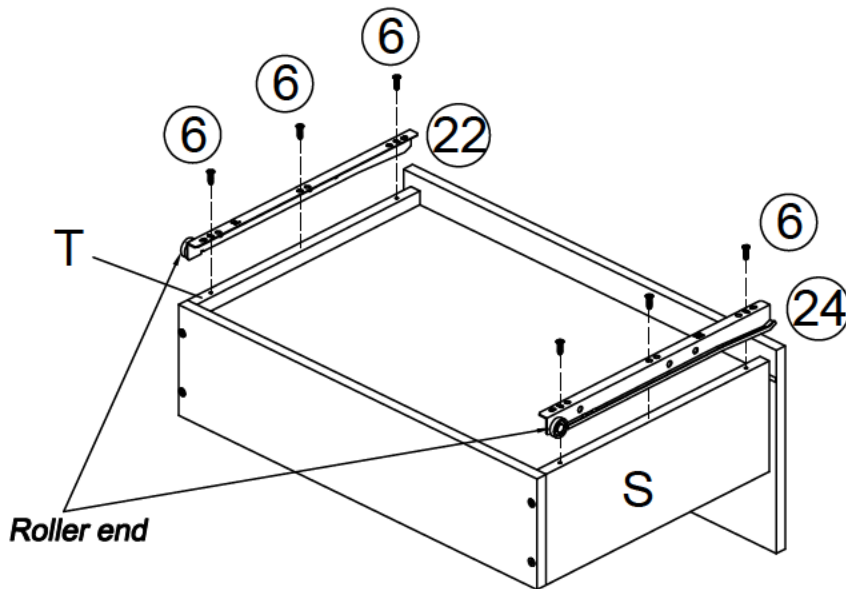


### STEP 4

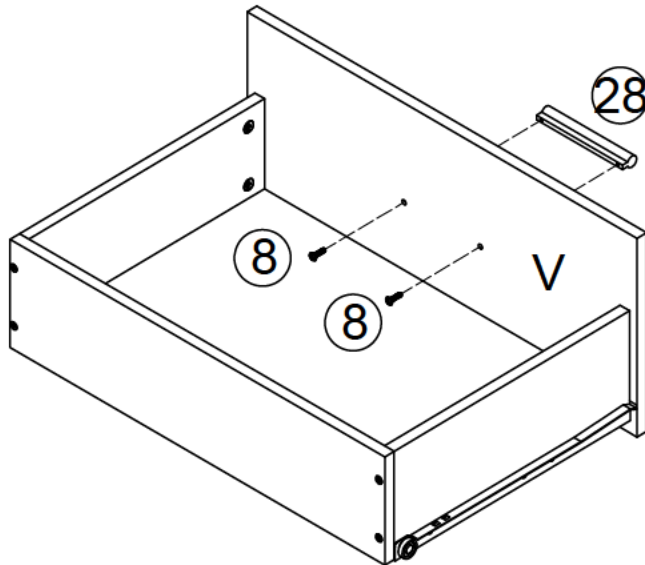
⑥  x6

②②  x1

②④  x1

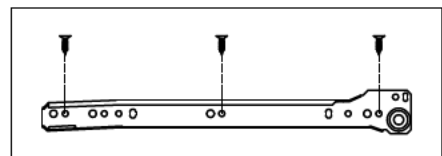
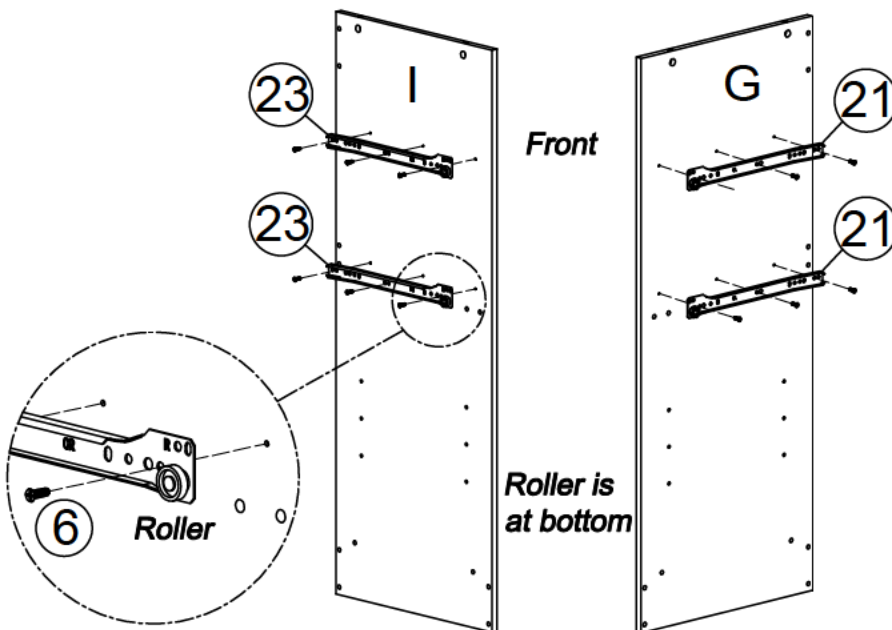


## STEP 5

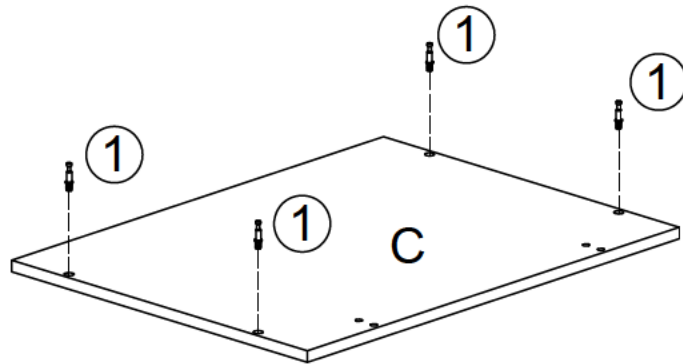
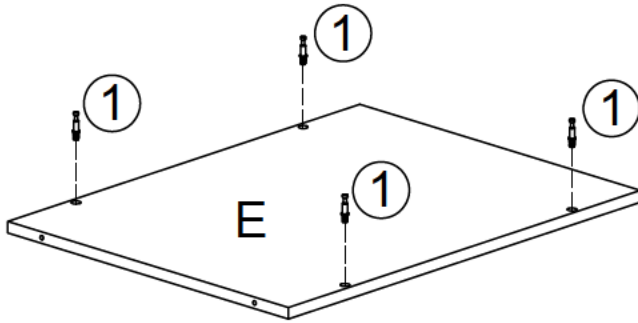


**NOTICE:**  
The installation for all the two drawers is base on the five steps above.

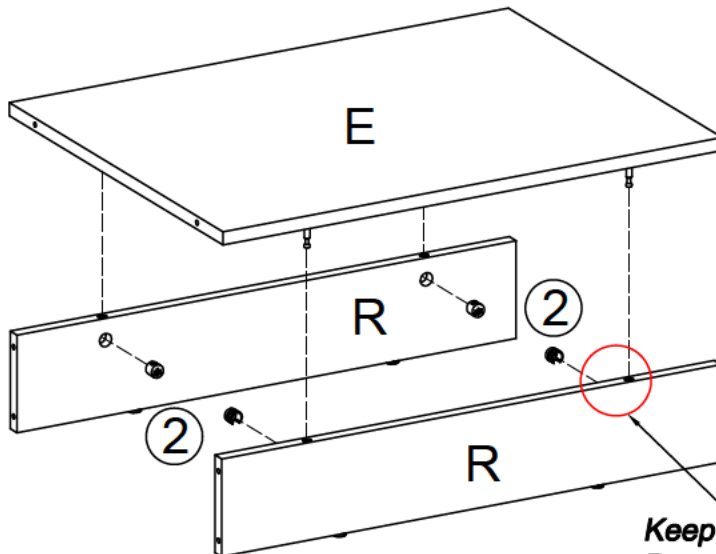
## STEP 6



### STEP 7



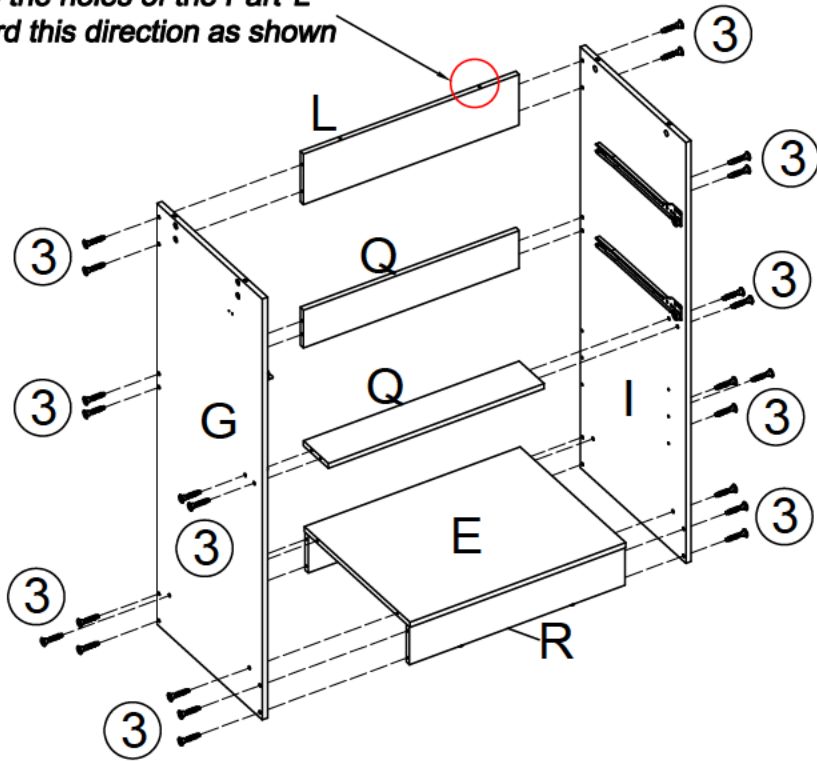
### STEP 8



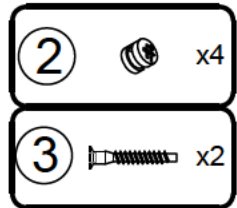
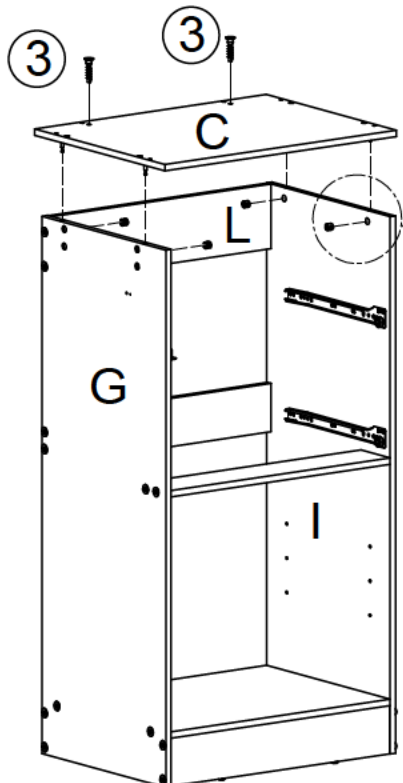
*Keep the holes of the Part R toward this direction as shown*

### STEP 9



Keep the holes of the Part L toward this direction as shown

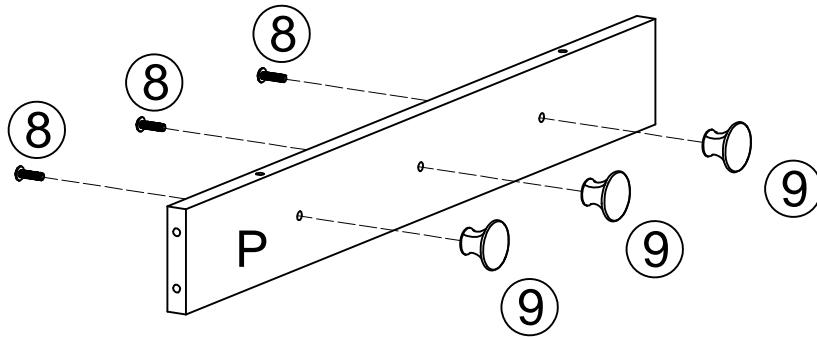


### STEP 10




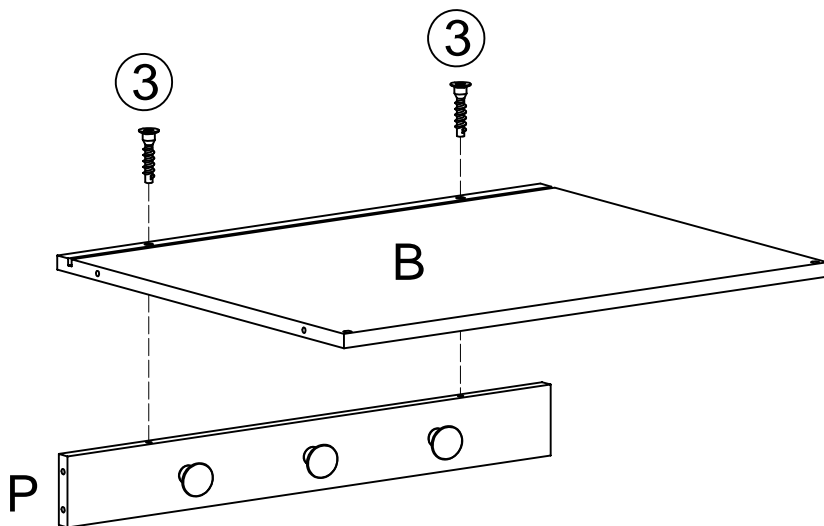
**STEP 11**

- 8  x3
- 9  x3

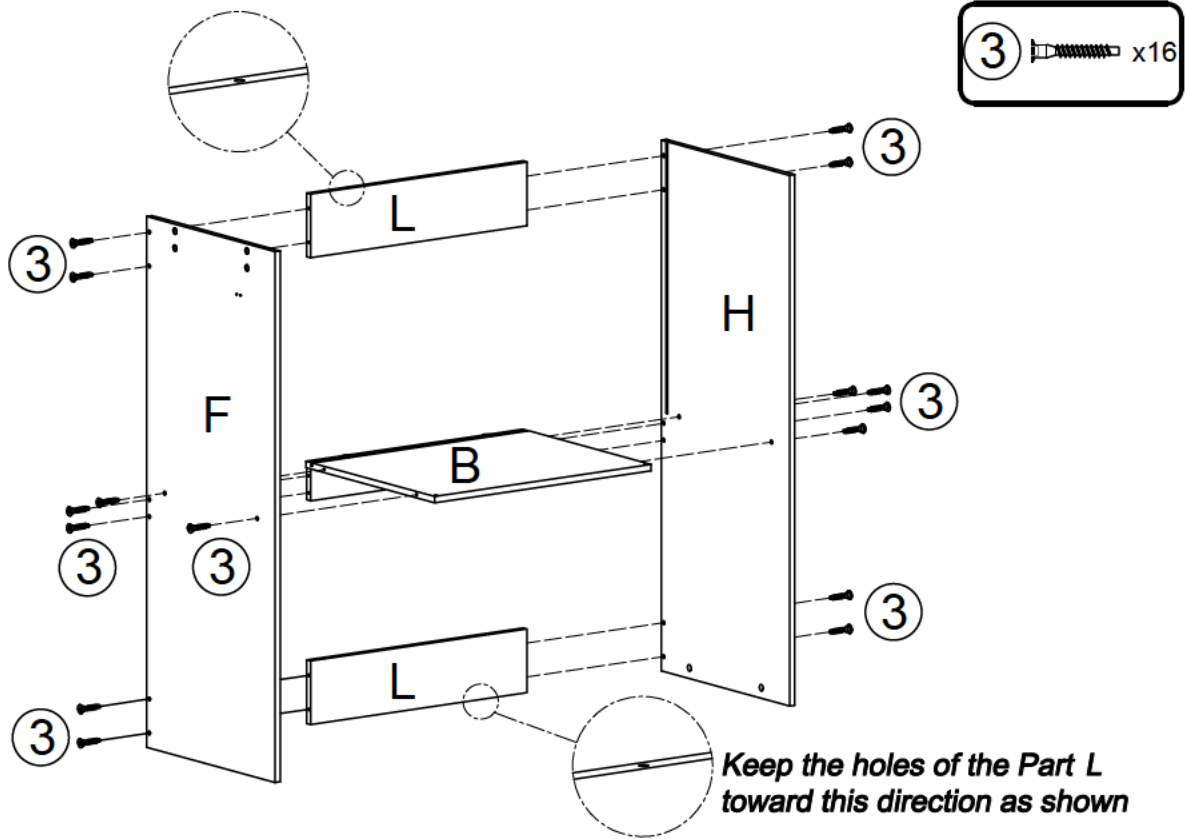


**STEP 12**

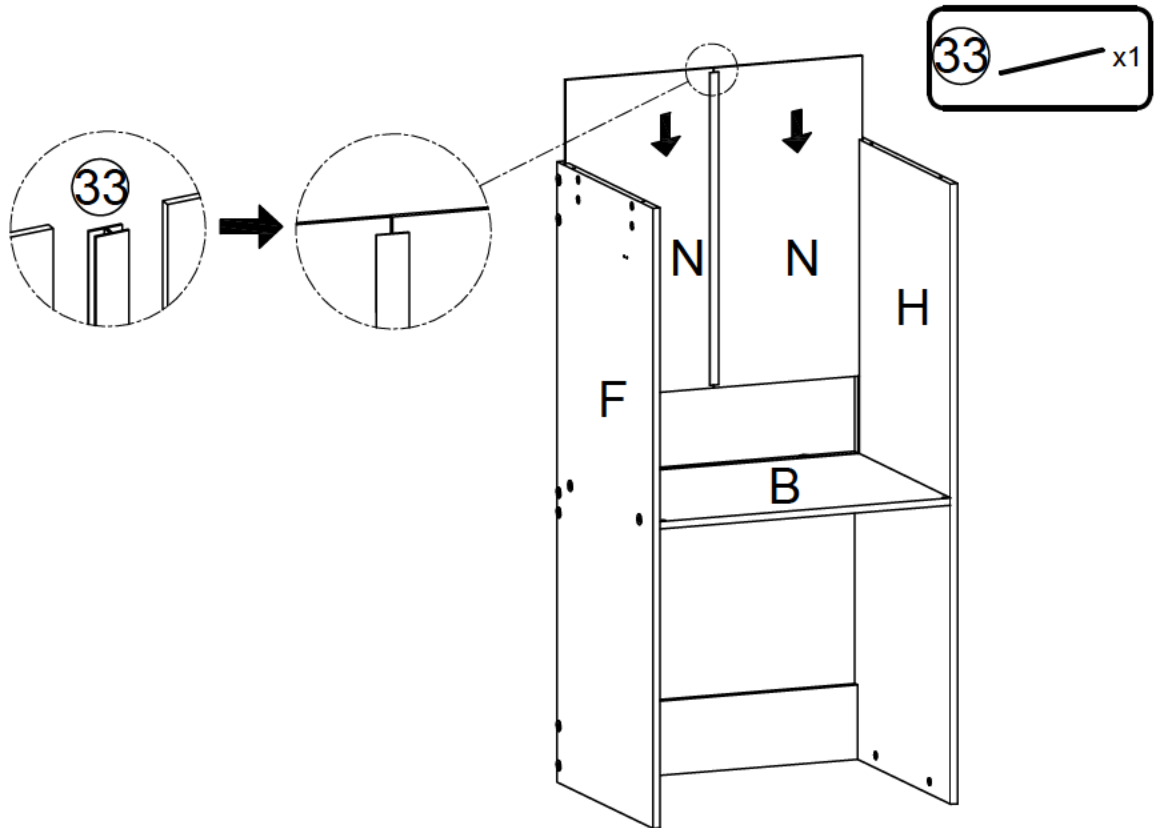
- 3  x2



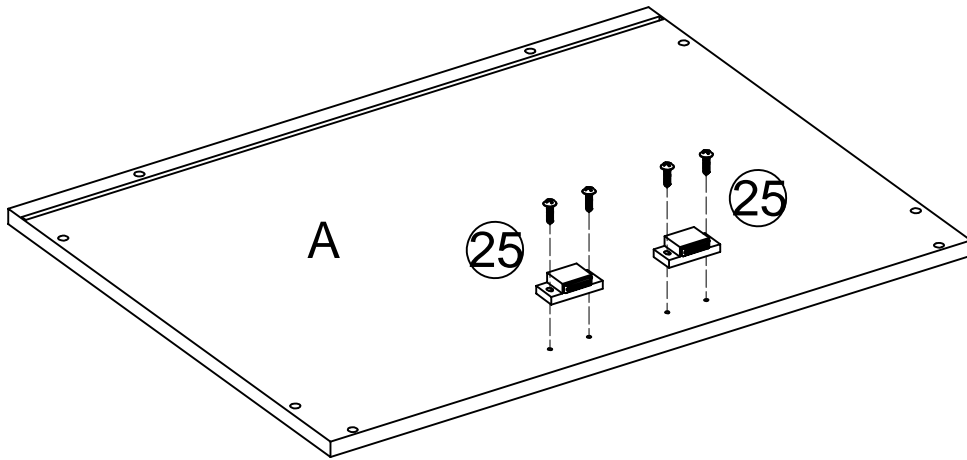
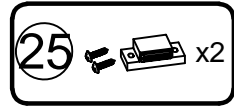
### STEP 13



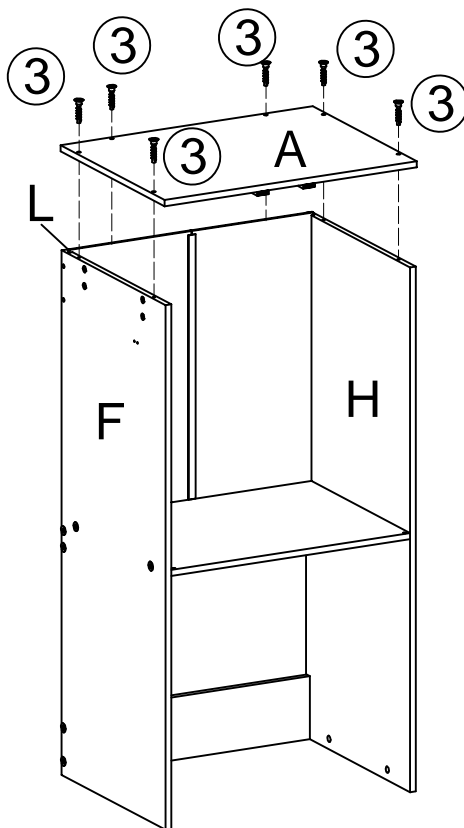
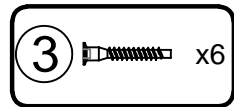
### STEP 14



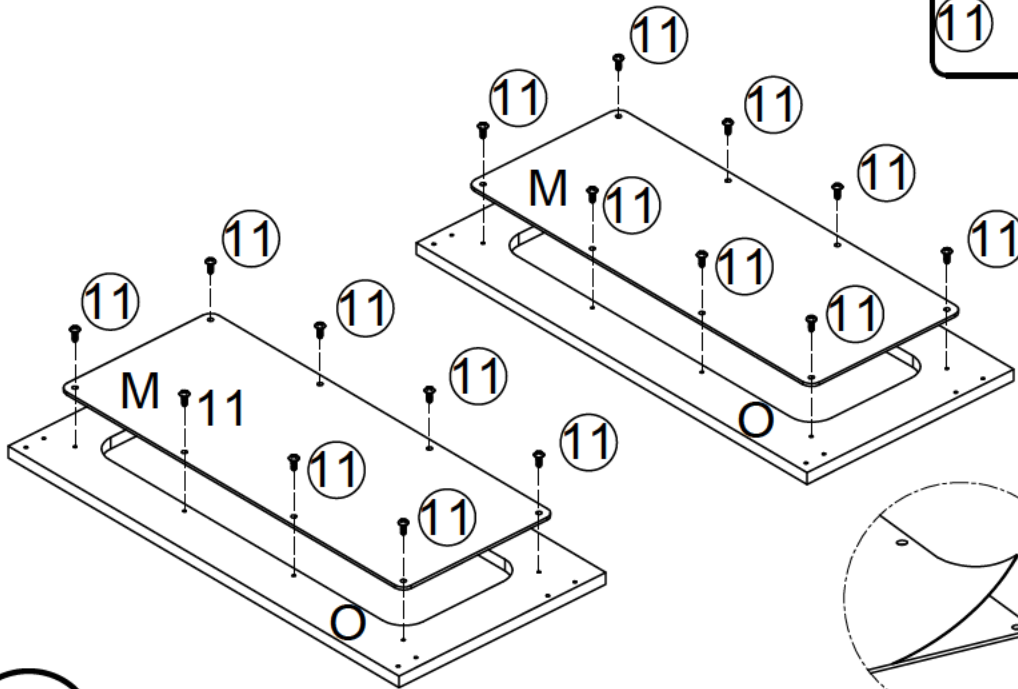
**STEP 15**



**STEP 16**

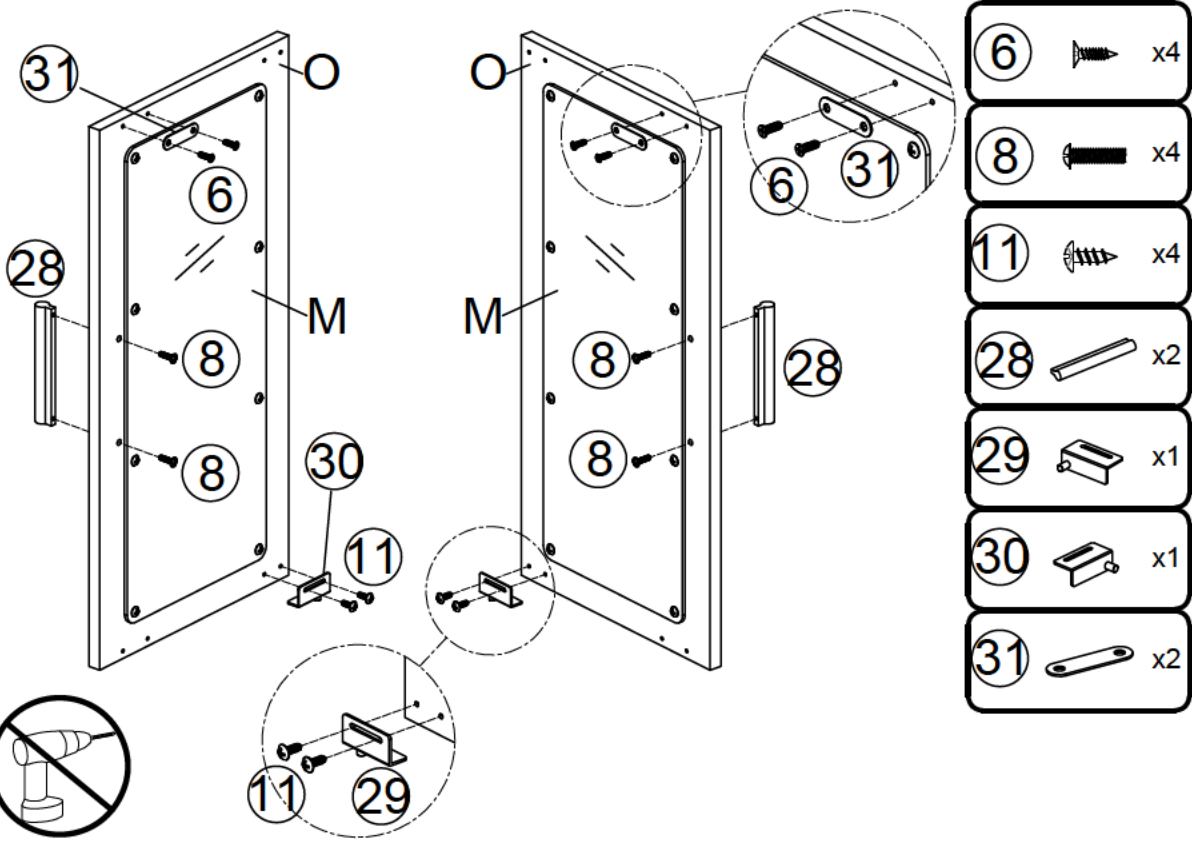


### STEP 17



Please tear off the protective film before installation. (both sides)

### STEP 18



### STEP 19

**11** x4

**29** x1

**30** x1

**27** x4

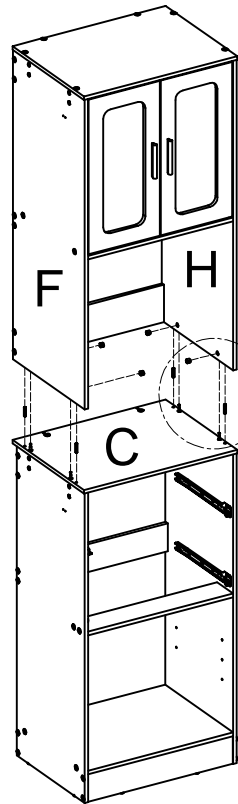
**Step 2**



**Step 1**

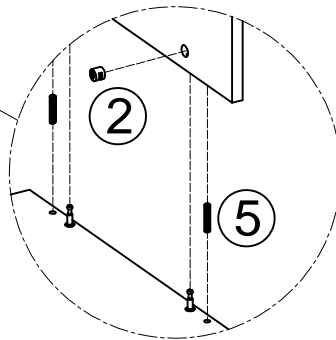
### STEP 20

**1** x4

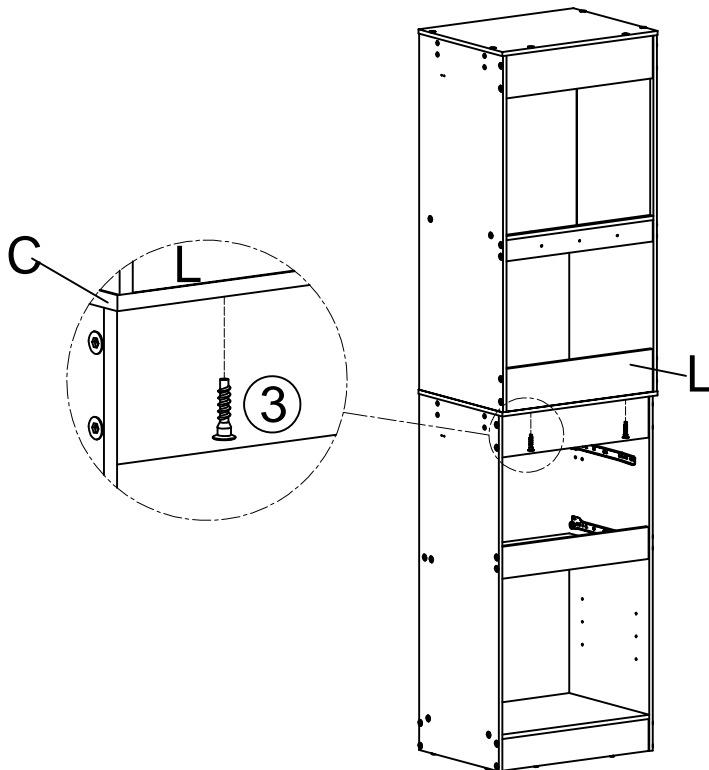
### STEP 21




- ②  x4
- ⑤  x4

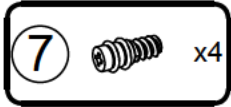
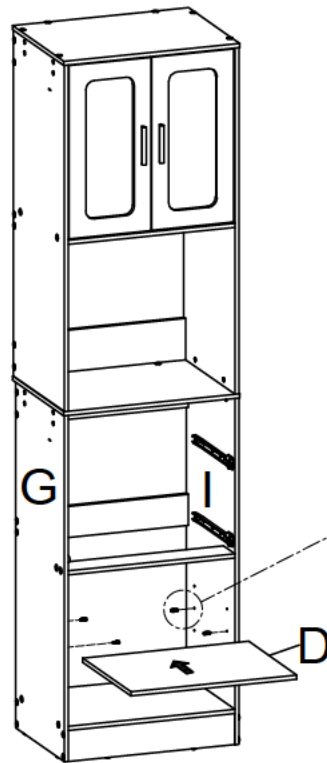


### STEP 22



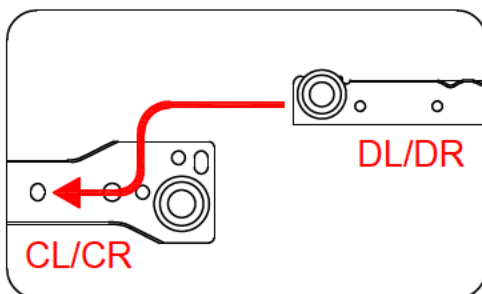
- ③  x2

## STEP 23

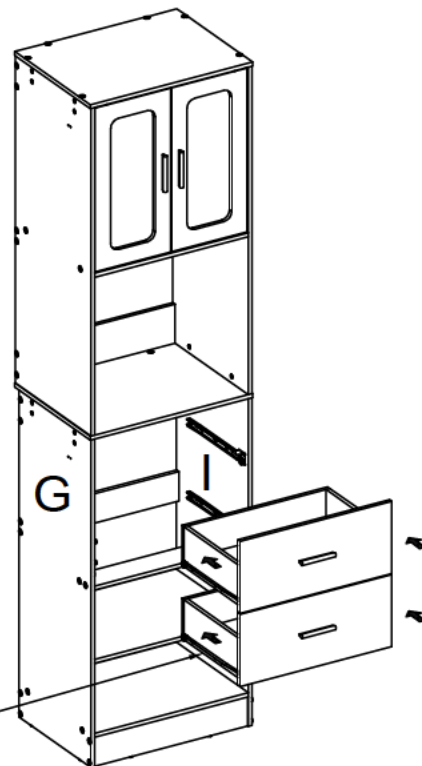


*There are 3 heights for the upper shelves to be adjusted as you need.*

## STEP 24






*Please put the wheels align with the slots as the instruction shows, then slide into them*

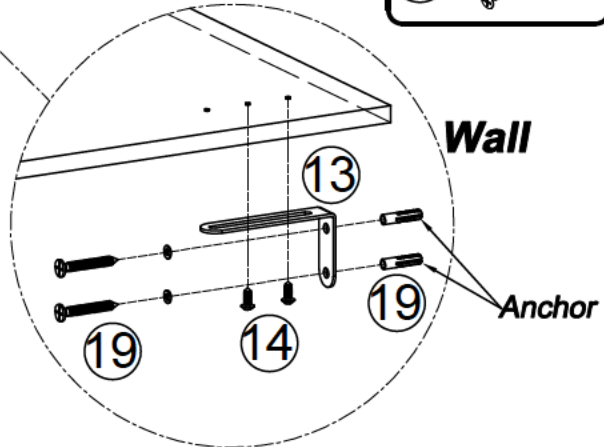
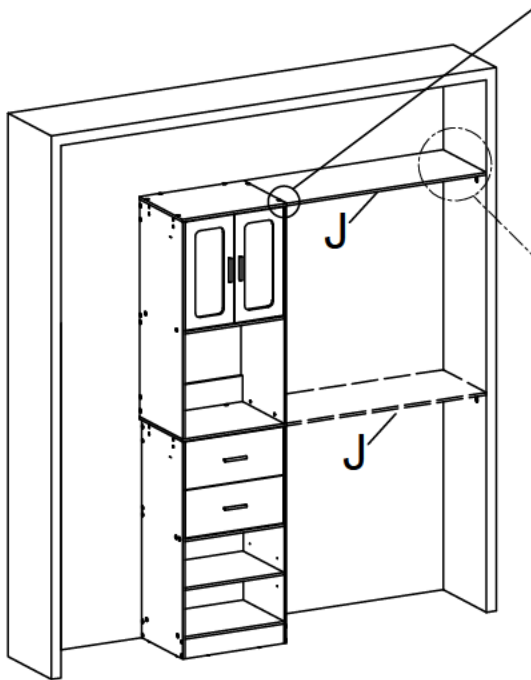


# STEP 25

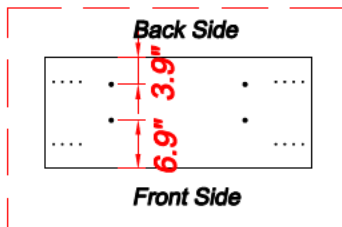
## Long Shelf installation

There are 2 heights for the right shelf and pole to be adjusted as you need.

- 13  x2
- 14  x4
- 19  x4



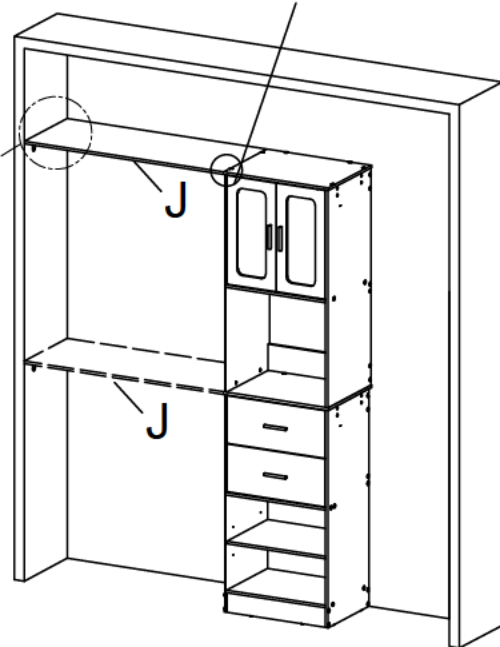
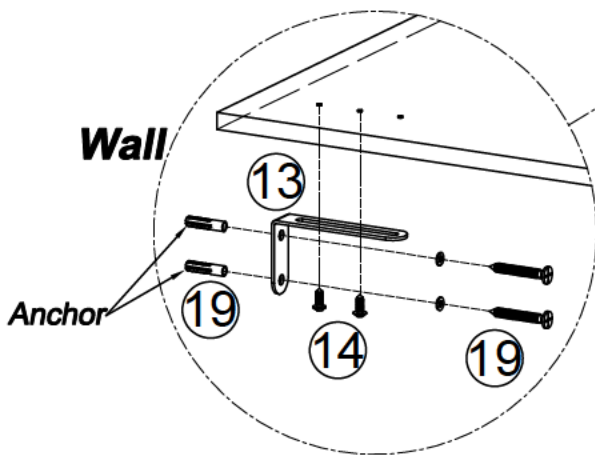
**Note:** If long shelf (J) needs cut to fit inside your closet space, cut the shelf and do not use a hacksaw. It is recommended you hire an insured remodeler for this type of installation.






Keep the holes of the Part J toward this direction as shown

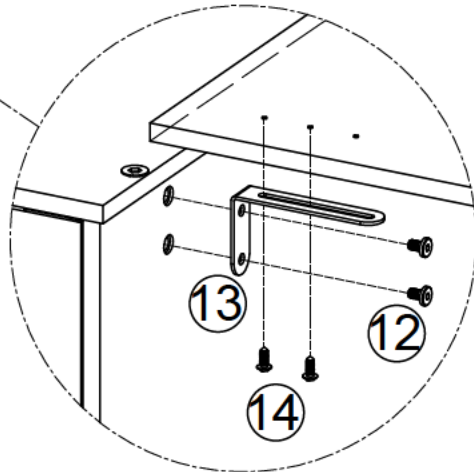
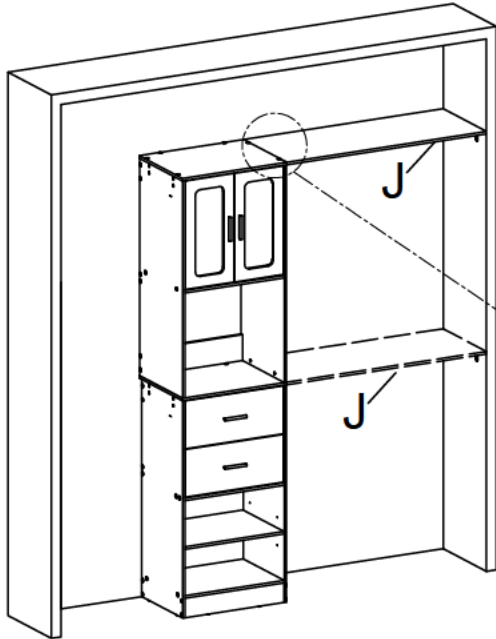
# OR

There are 2 heights for the left shelf and pole to be adjusted as you need.



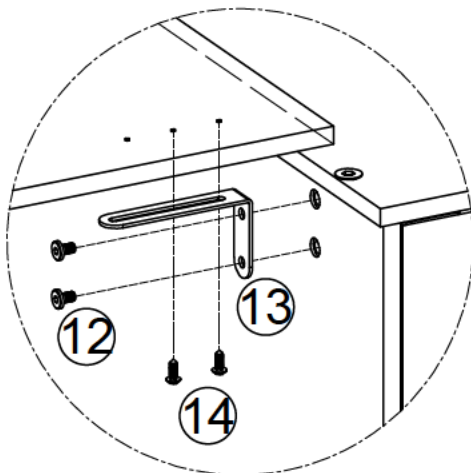
**STEP 26**

- 13**  x2
- 14**  x4
- 12**  x4

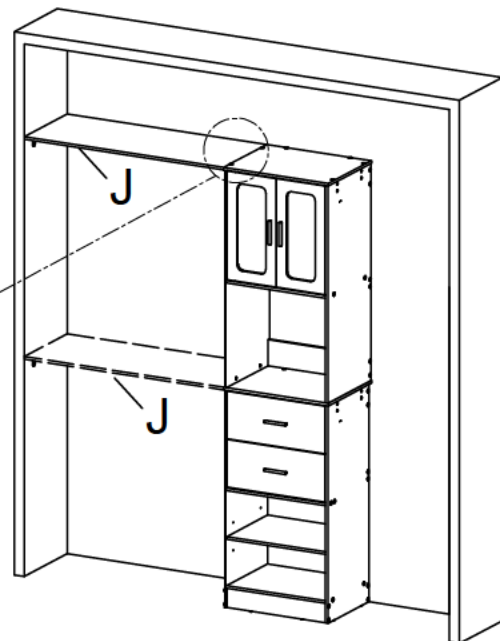


**CABINET**

**OR**

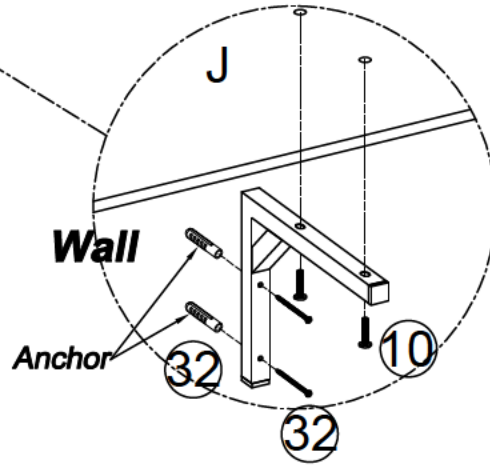
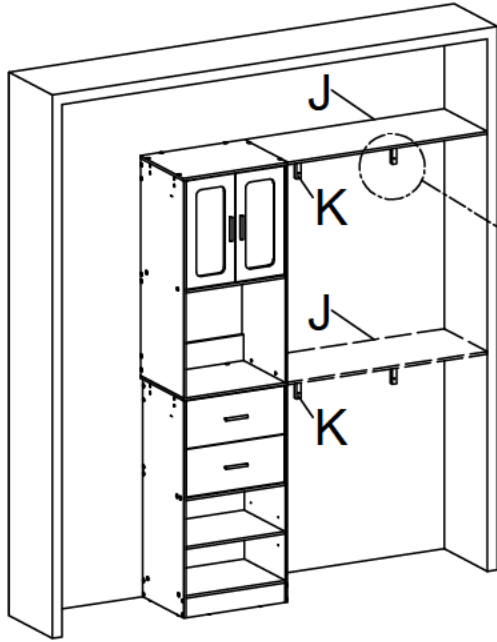
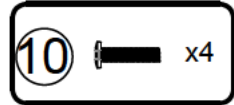


**CABINET**

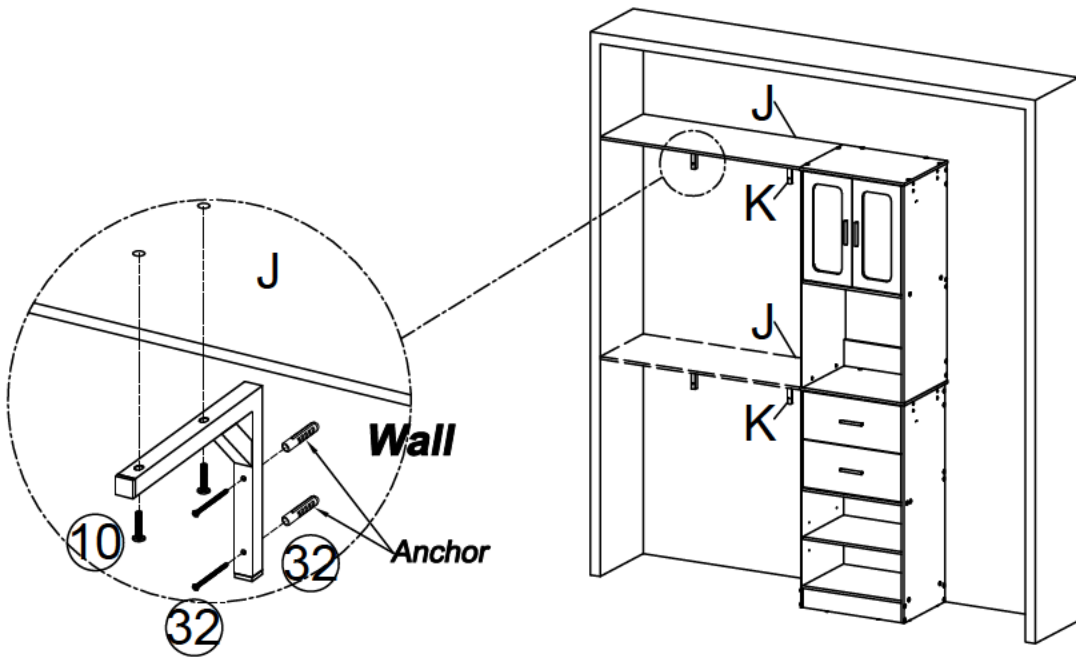


**STEP 27**

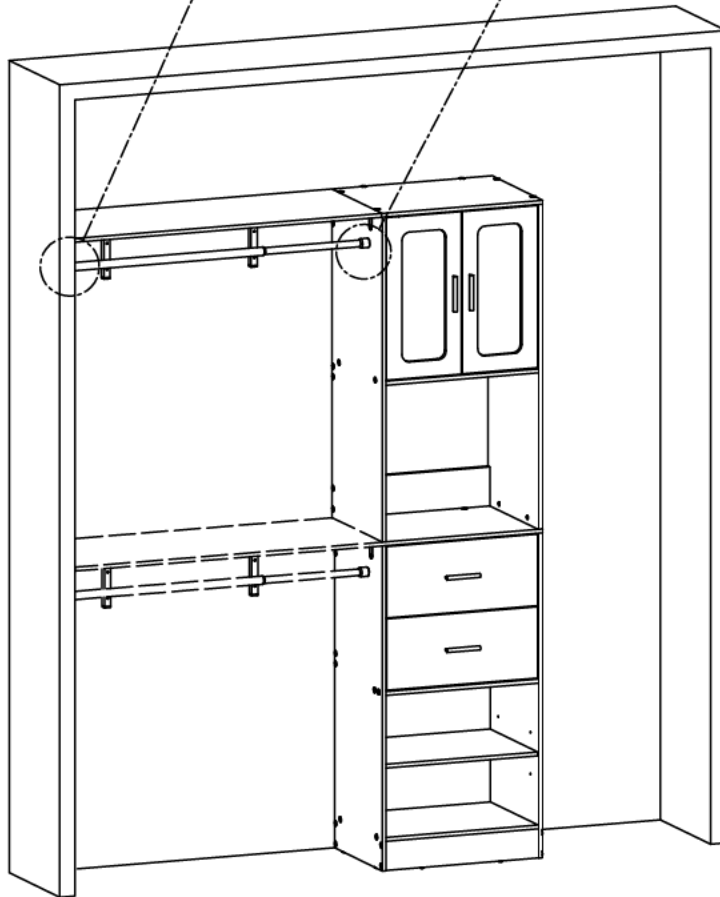
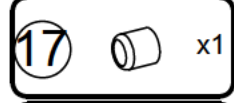
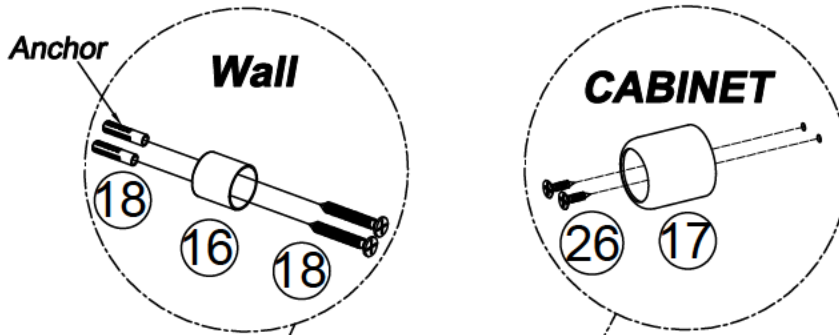
**Shelf Support Installation**



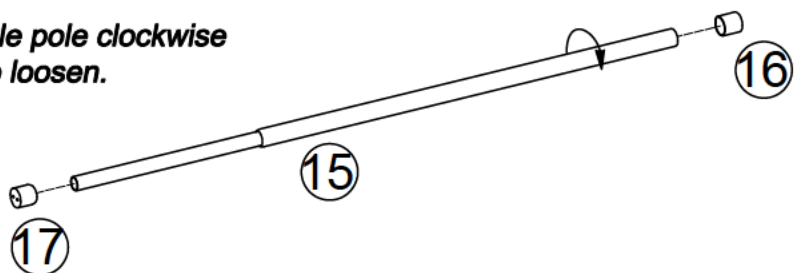
**OR**



# STEP 28



**Note:** Twist the expandable pole clockwise to tighten. anticlockwise to loosen.



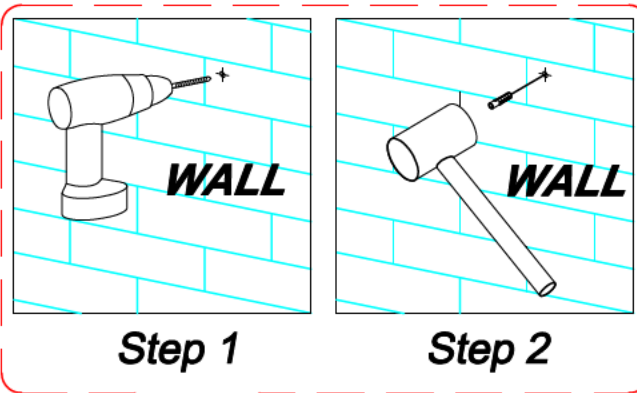
## STEP 29

### TIPPING RESTRAINT HARDWARE



**Note:** We have included two Tipping Restraint Hardware set for this Unit. When properly installed, this restraint can provide protection against the unexpected tipping of the Unit due to small tremors, bumps or climbing. We strongly recommend mounting this hardware to a wall stud and your Unit.

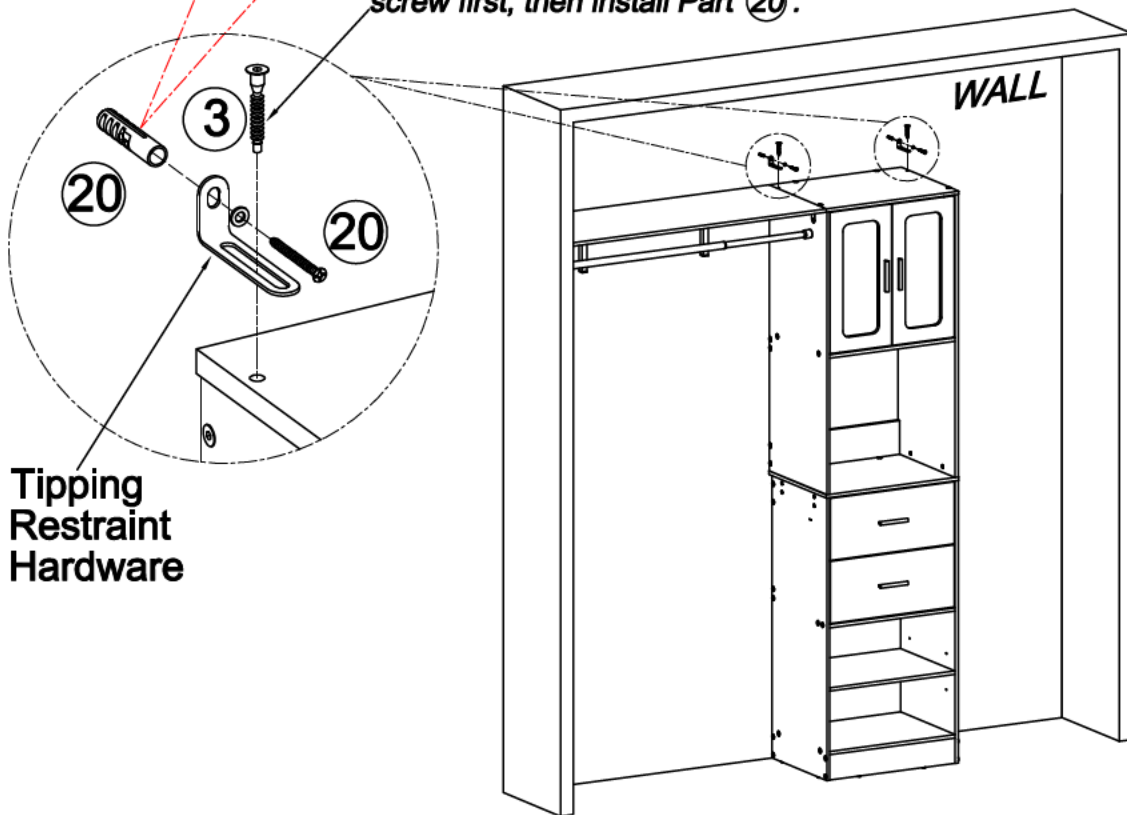
**Note:** You must install the Tipping Restraint Hardware with the unit in use to prevent any accidents or damage to the unit.



Step 1

Step 2

Please unscrew one Part ③ screw first, then install Part ②.



Tipping Restraint Hardware