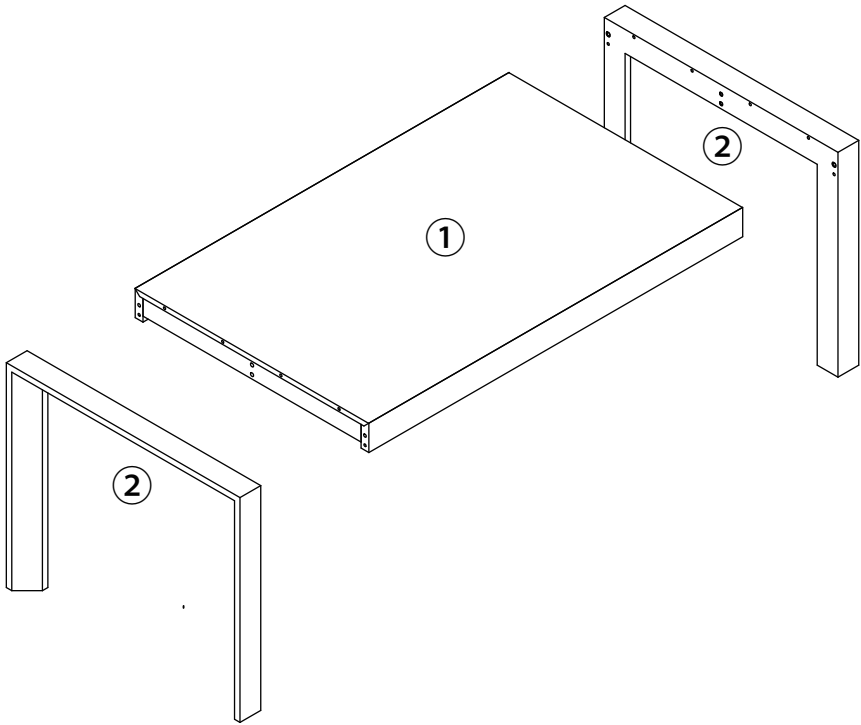
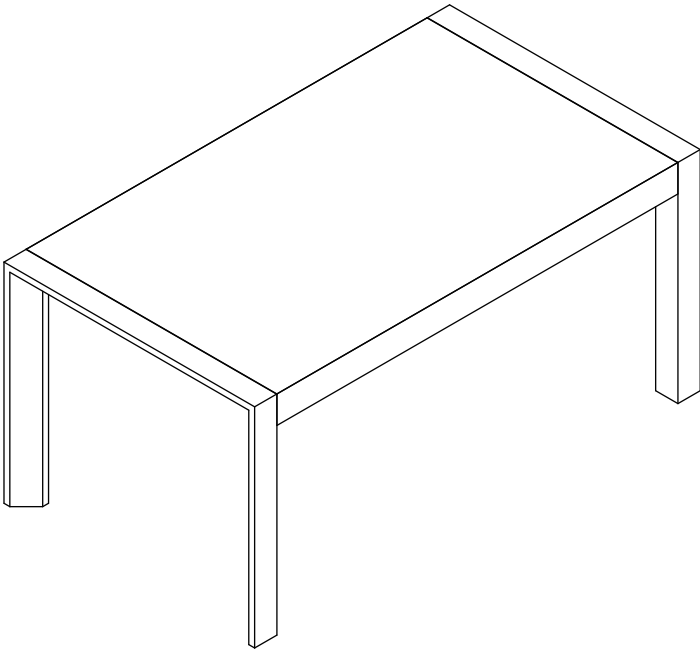


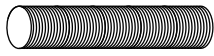
PLEASE NOTE: Check that you have received all components and hardware before assembling.

# Assembly Instructions

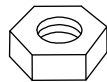
## Dining Table



A (12 pcs)  
Ø8x30mm



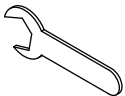
B (4 pcs)  
Ø8x95mm



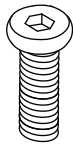
C (4 pcs)  
M8



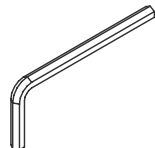
D (4 pcs)



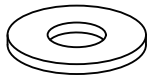
E (1 pcs)  
M8



F (12 pcs)  
Ø6x45mm



G (1 pcs)  
M4

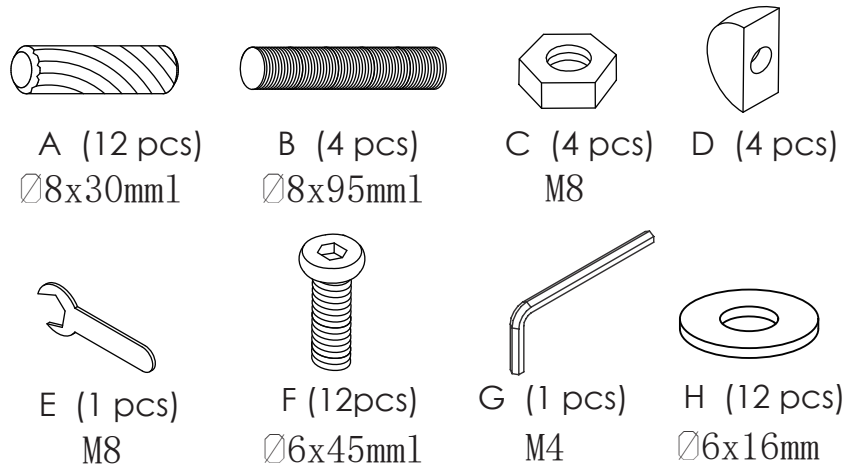
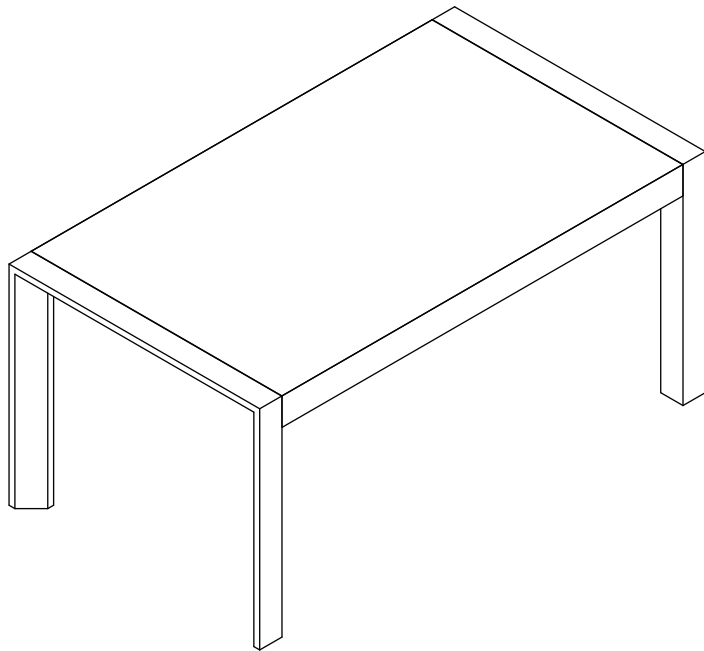


H (12 pcs)  
Ø6x16mm

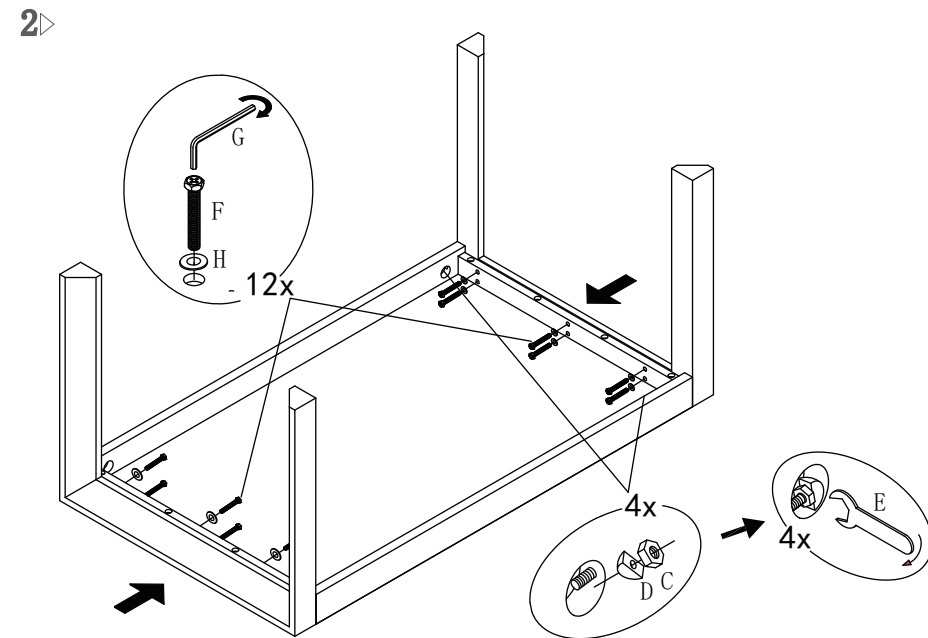
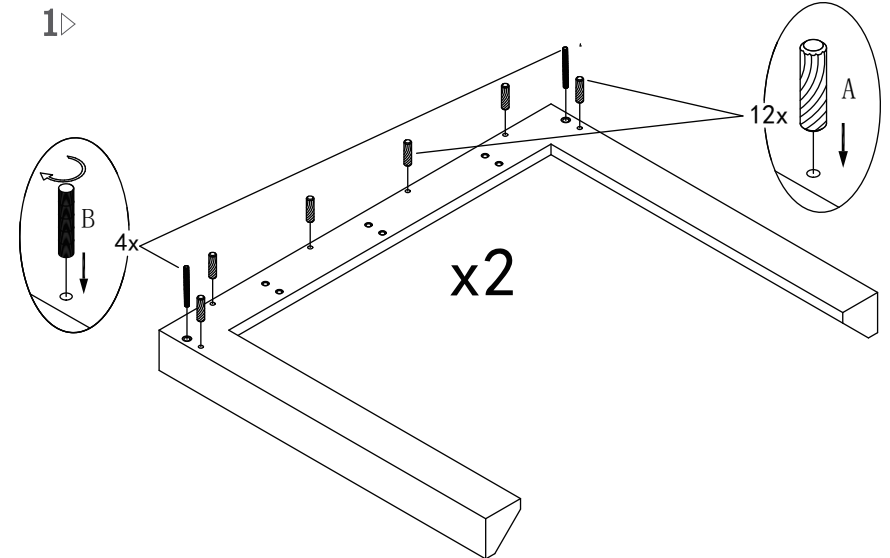
During assembly, hand tighten screws only.  
When the screws are in place, tighten completely.

# Assembly Instructions

## Dining Table



PLEASE NOTE: Check that you have received all components and hardware before assembling.



During assembly, hand tighten screws only.  
When the screws are in place, tighten completely.