
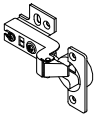

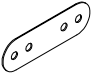
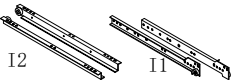
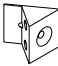

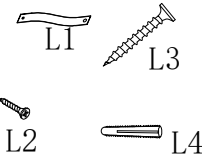

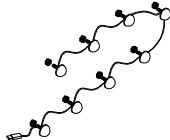

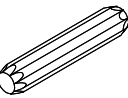




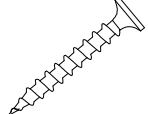


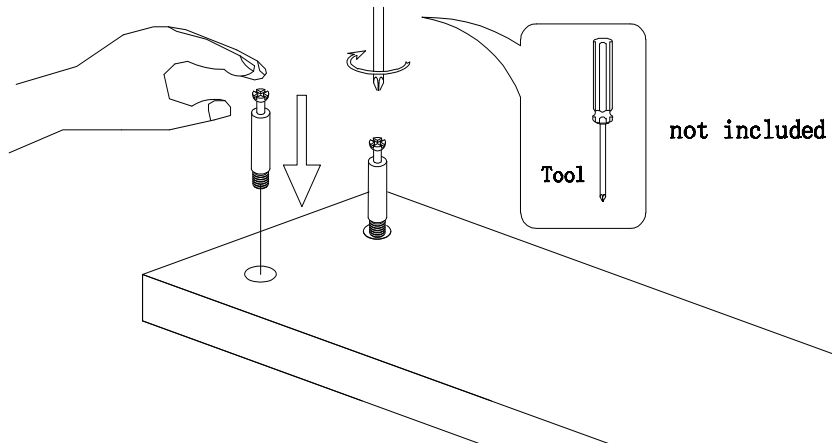
<p>O 3.5*12</p>  <p>24PCS</p>	<p>P</p>  <p>2PCS</p>	<p>Q</p>  <p>4PCS</p>				
<p>H</p>  <p>6PCS</p>	<p>I 350MM</p>  <p>2SET</p>	<p>J</p>  <p>4PCS</p>	<p>K 3*12</p>  <p>12PCS</p>	<p>L</p>  <p>1SET</p>	<p>M</p>  <p>18PCS</p>	<p>N</p>  <p>1SET</p>
<p>A</p>  <p>27PCS</p>	<p>B 6*30</p>  <p>24PCS</p>	<p>C 3.5*14</p>  <p>20PCS</p>	<p>D</p>  <p>27PCS</p>	<p>E</p>  <p>3PCS</p>	<p>F 4*18</p>  <p>6PCS</p>	<p>G 3.5*35MM</p>  <p>37PCS</p>



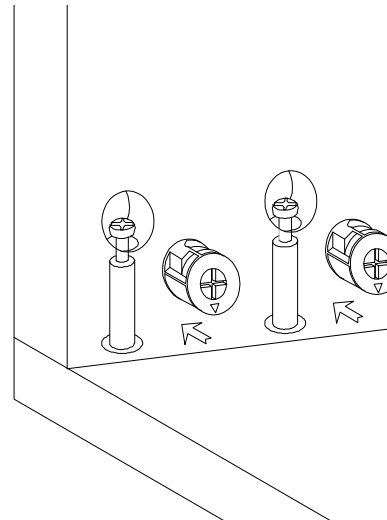
Hardware installation demonstration

NOTE: Please make sure "A" hardware tightened and can't be pulled out!

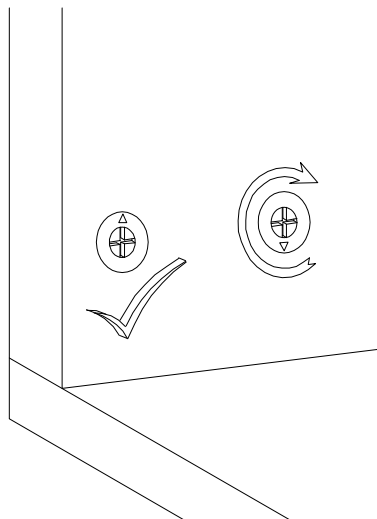
I



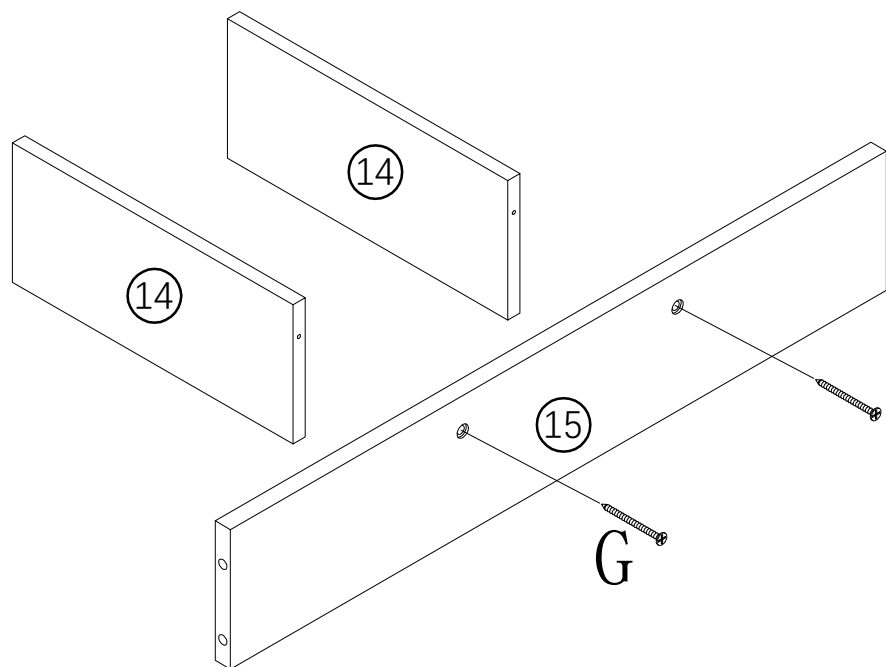
II



III

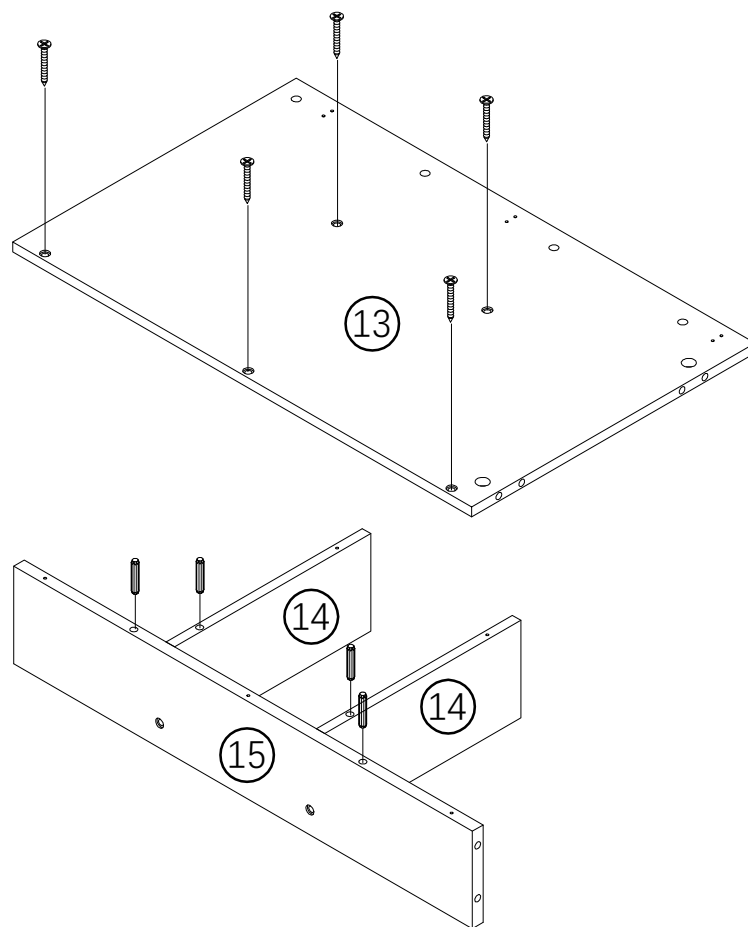


1



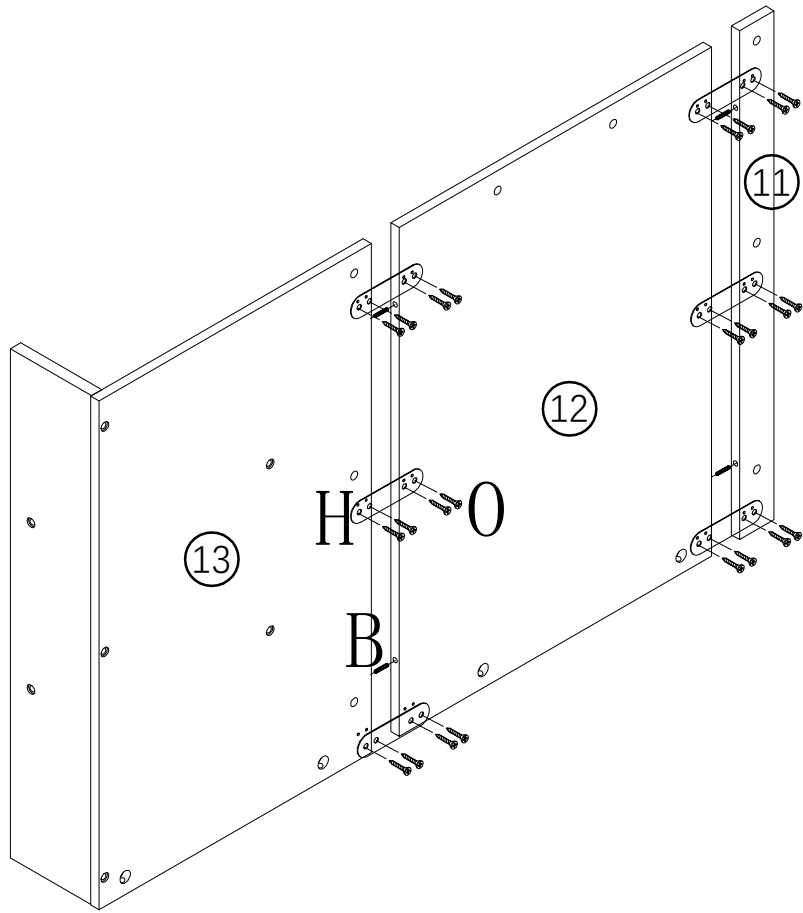
G*2

2



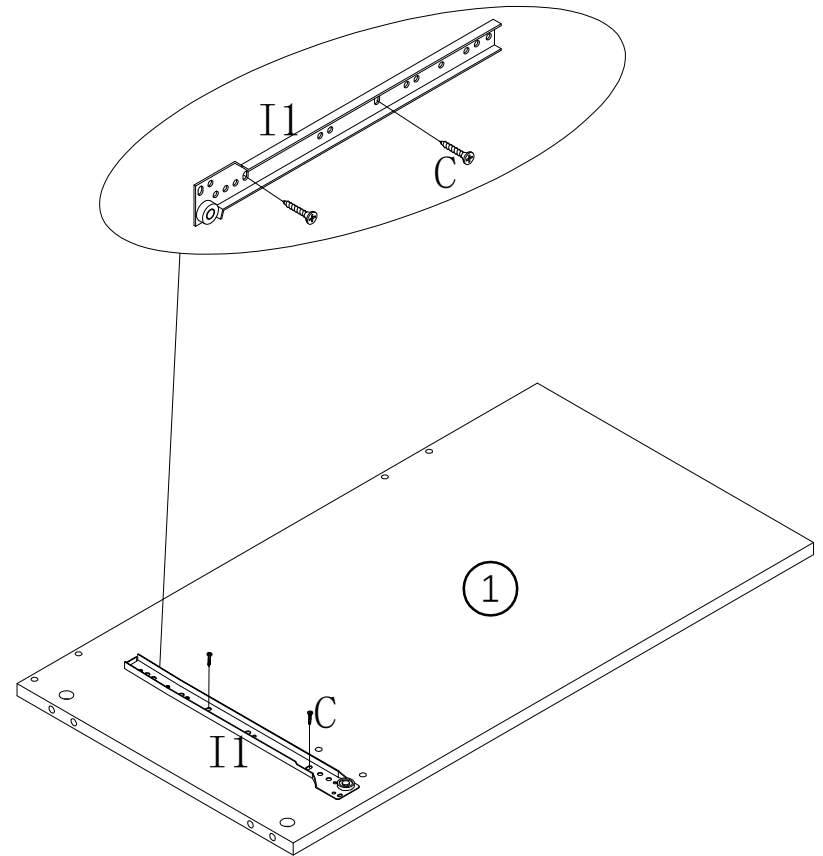
B*4 G*5

3



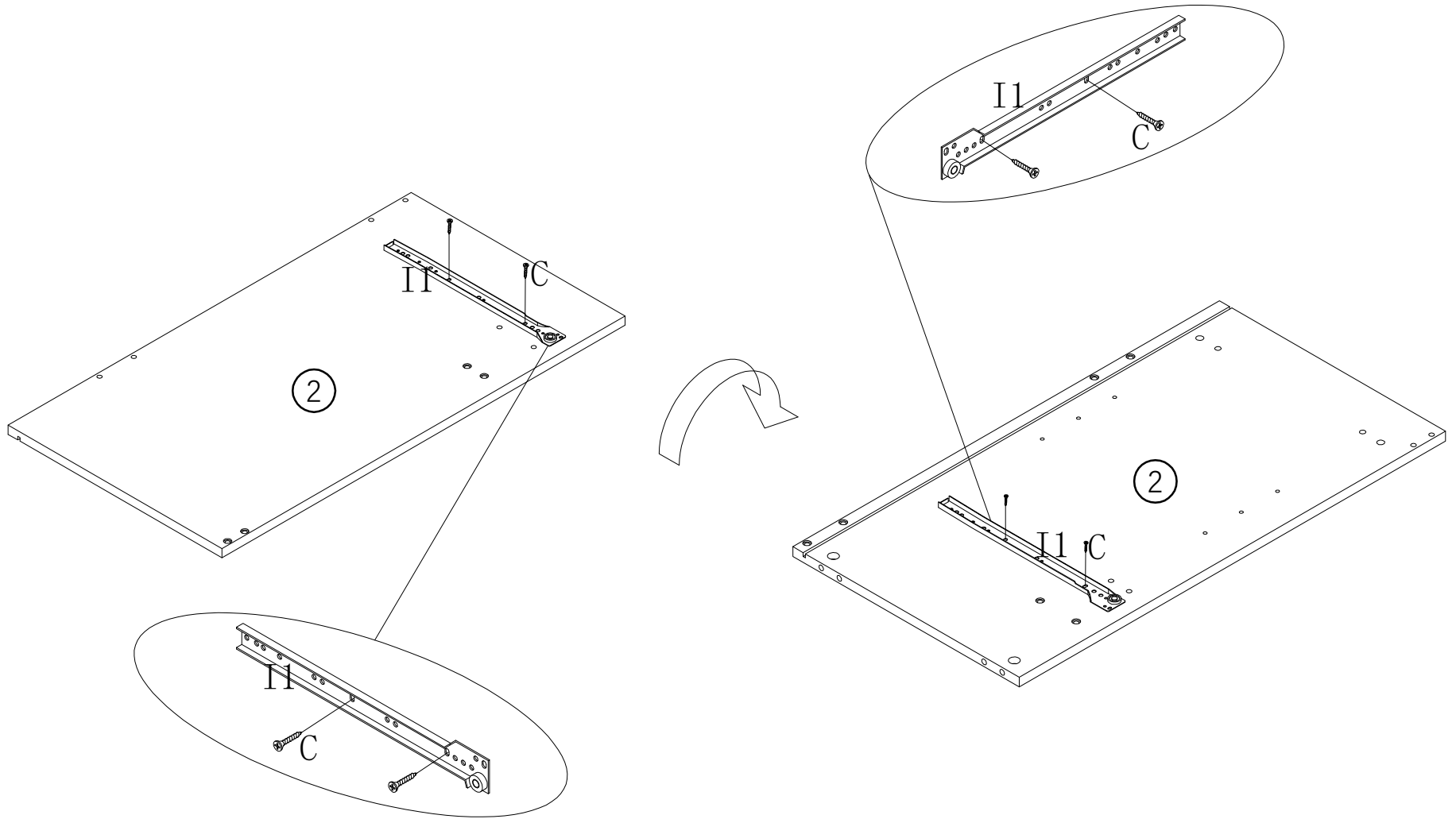
B*4 H*6 O*24

4



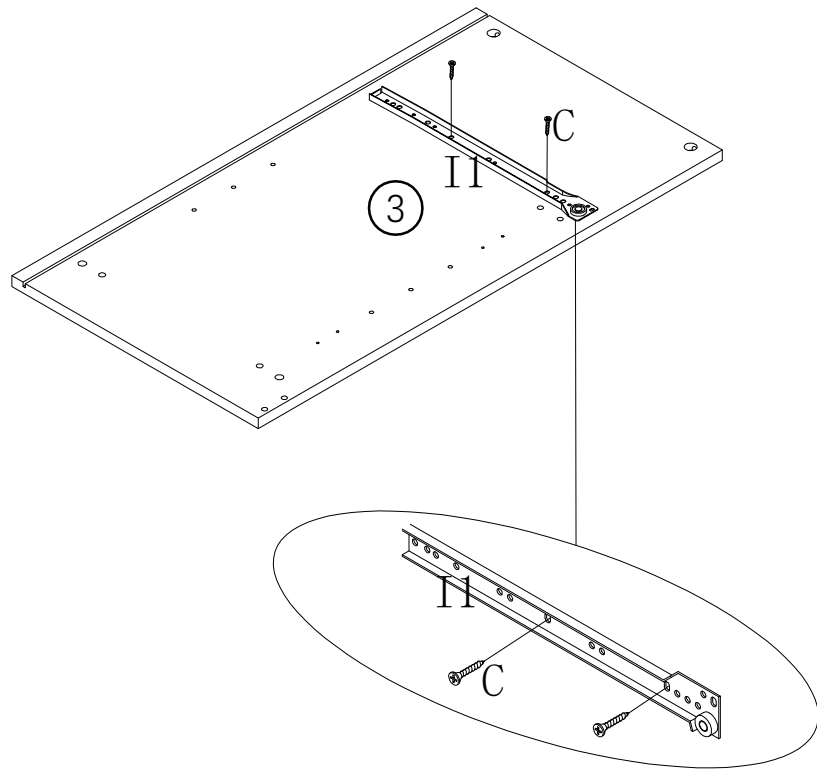
C*2 I1*1

5



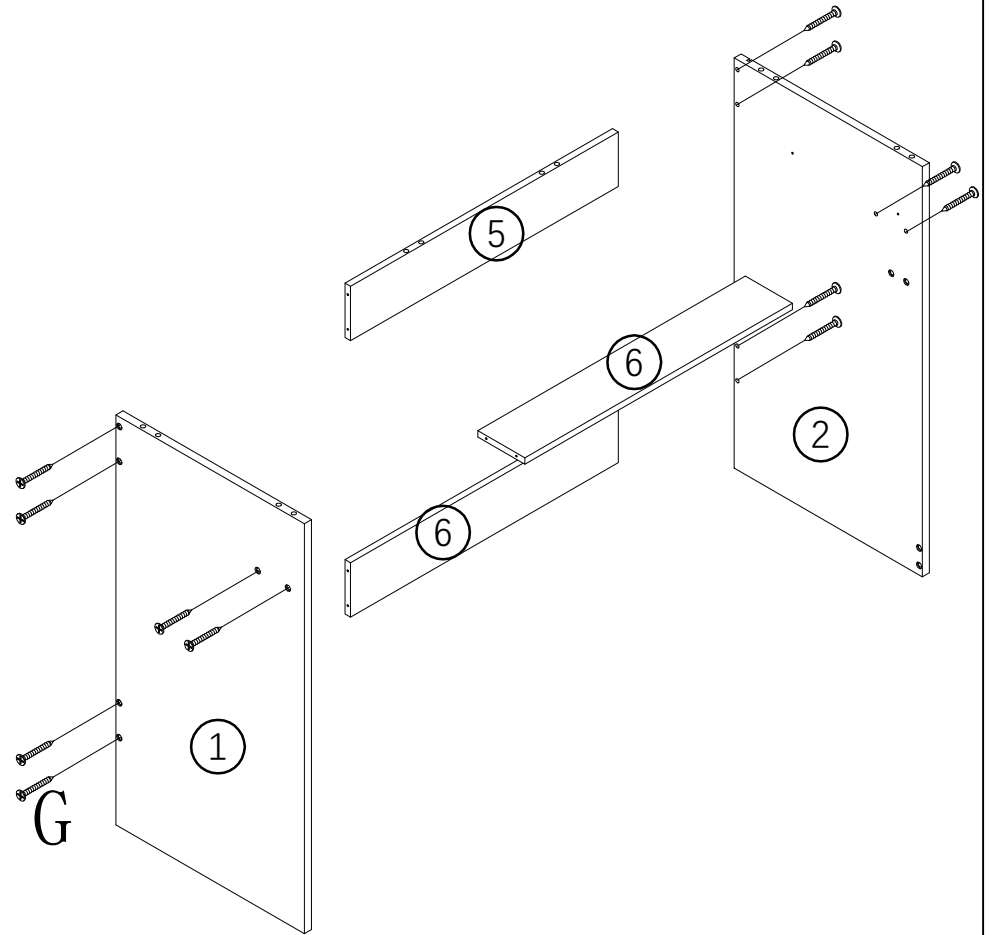
C*4 I1*2

6



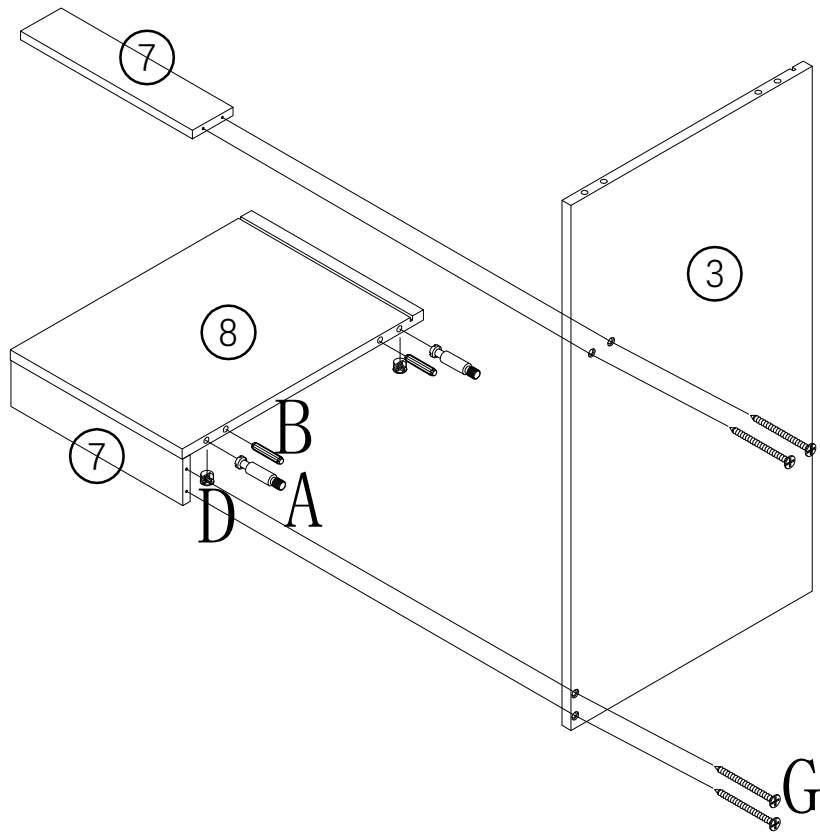
C*2 11*1

7



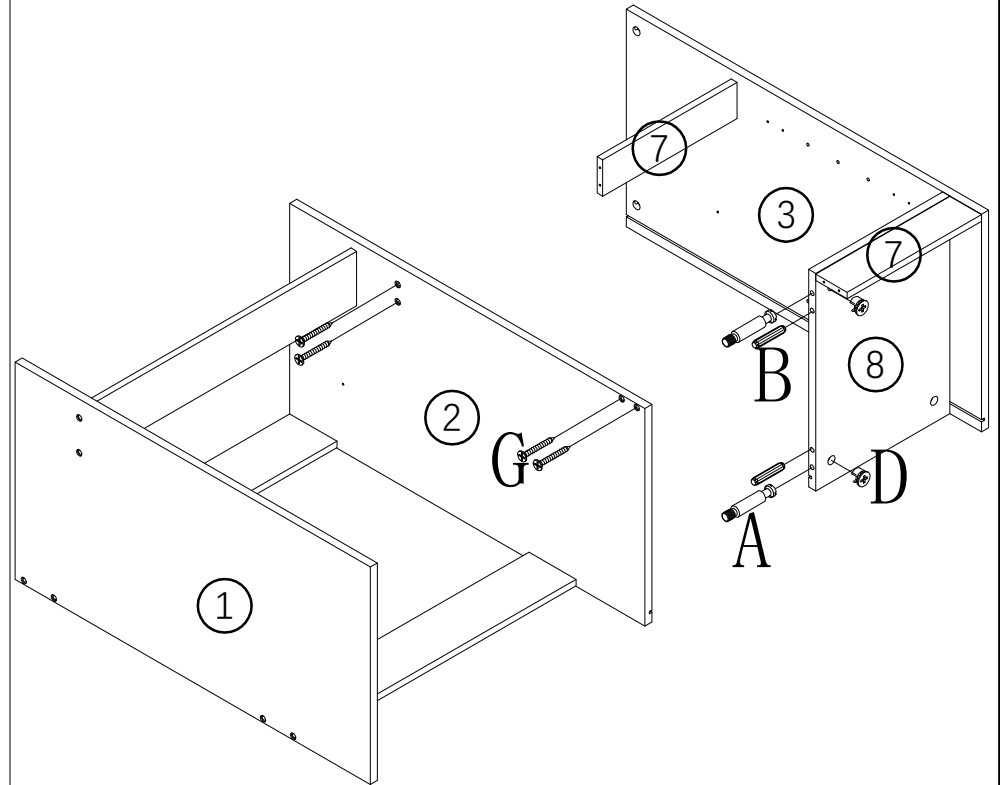
G*12

8



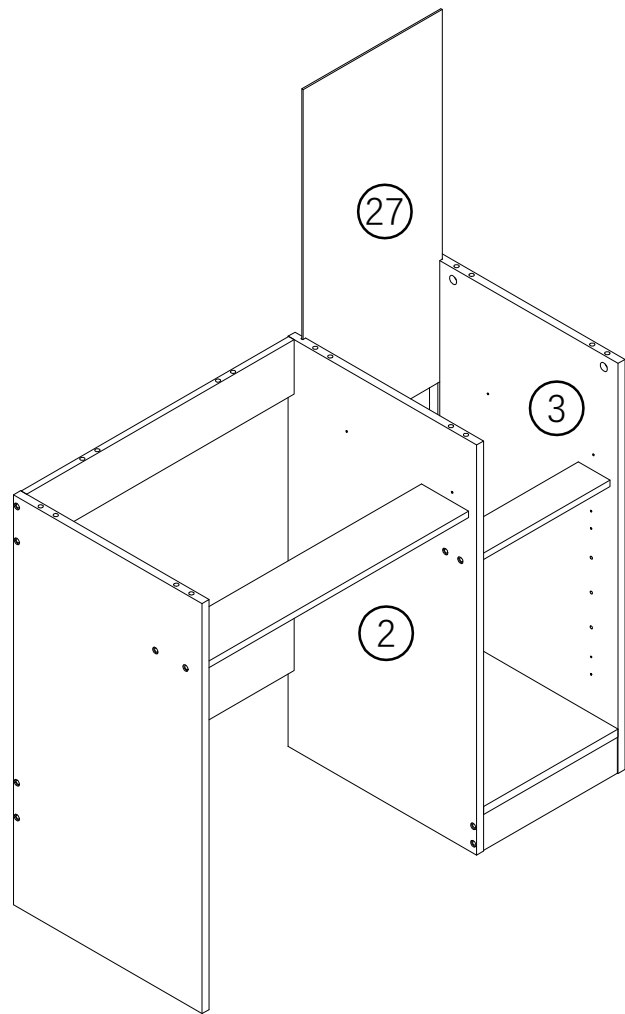
A*2 B*2 D*2 G*4

9

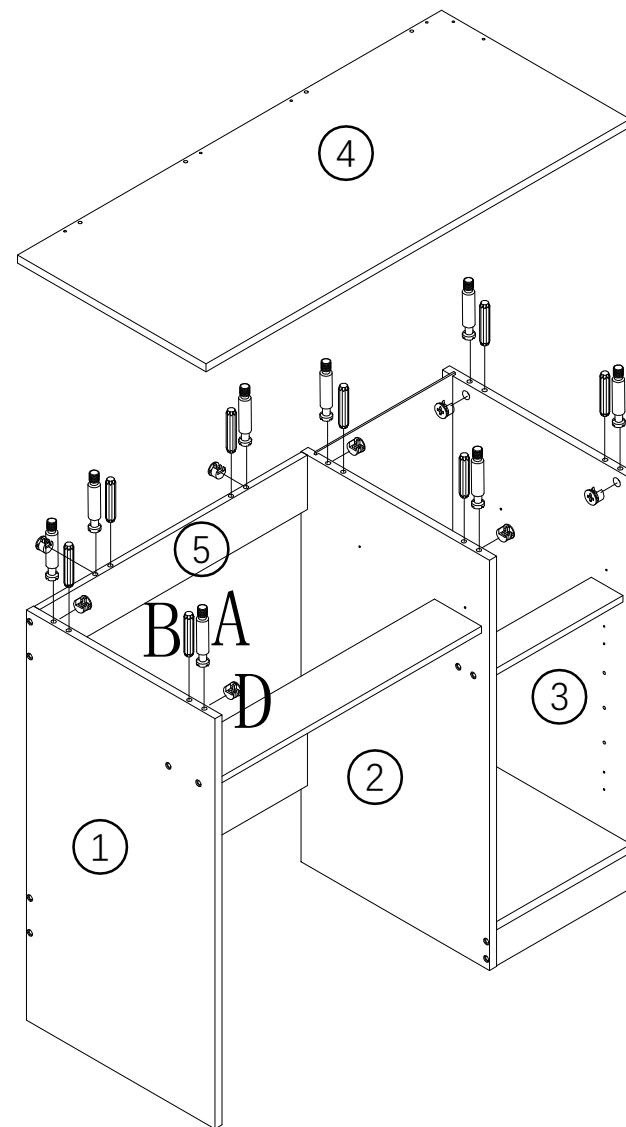


A*2 B*2 D*2 G*4

10



11

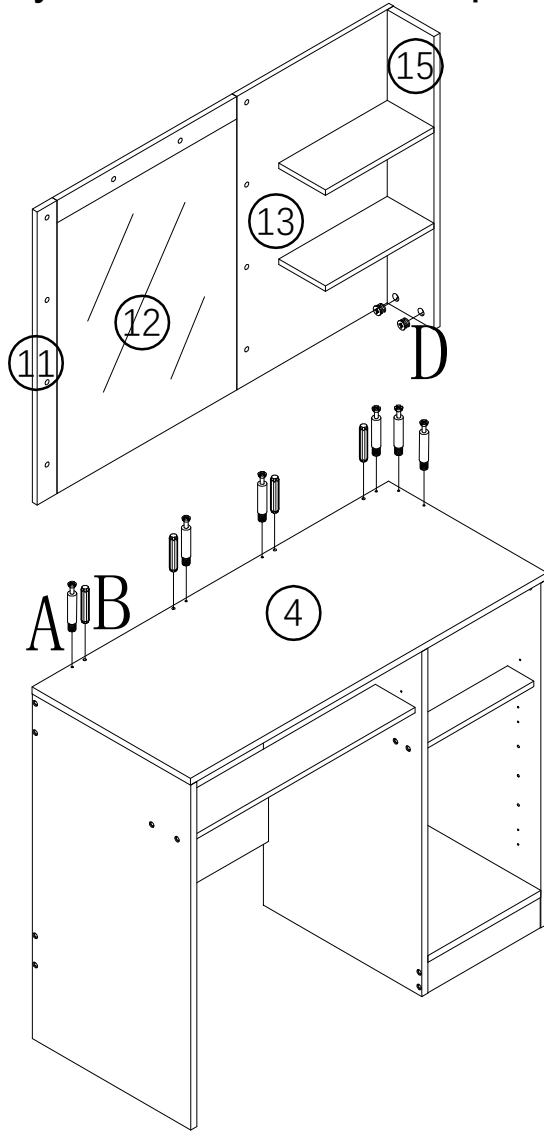


A
B
D

A*8 B*8 D*8

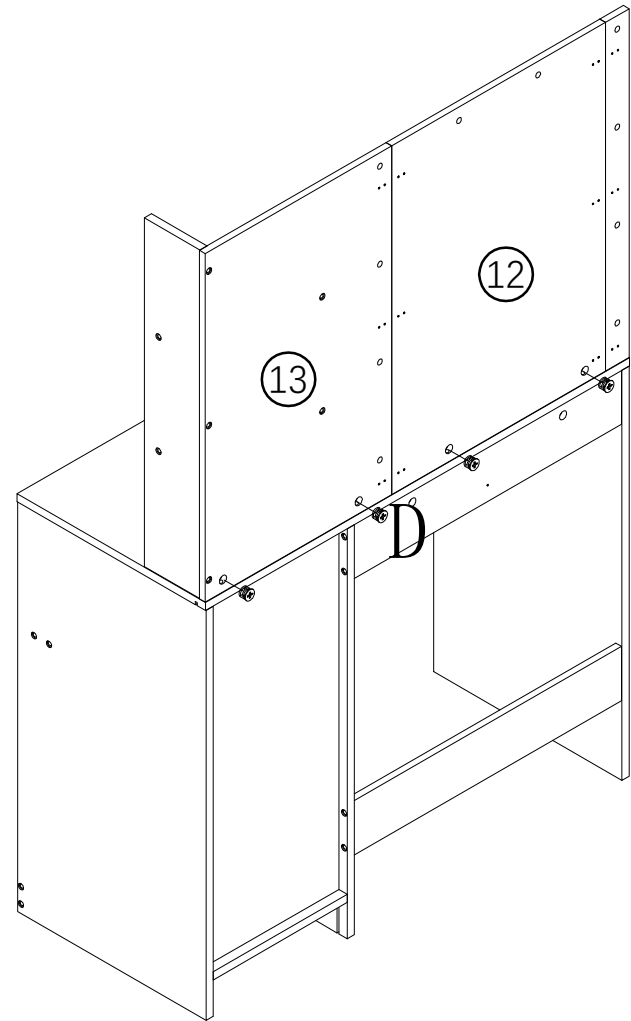
12

Try to install it with two people



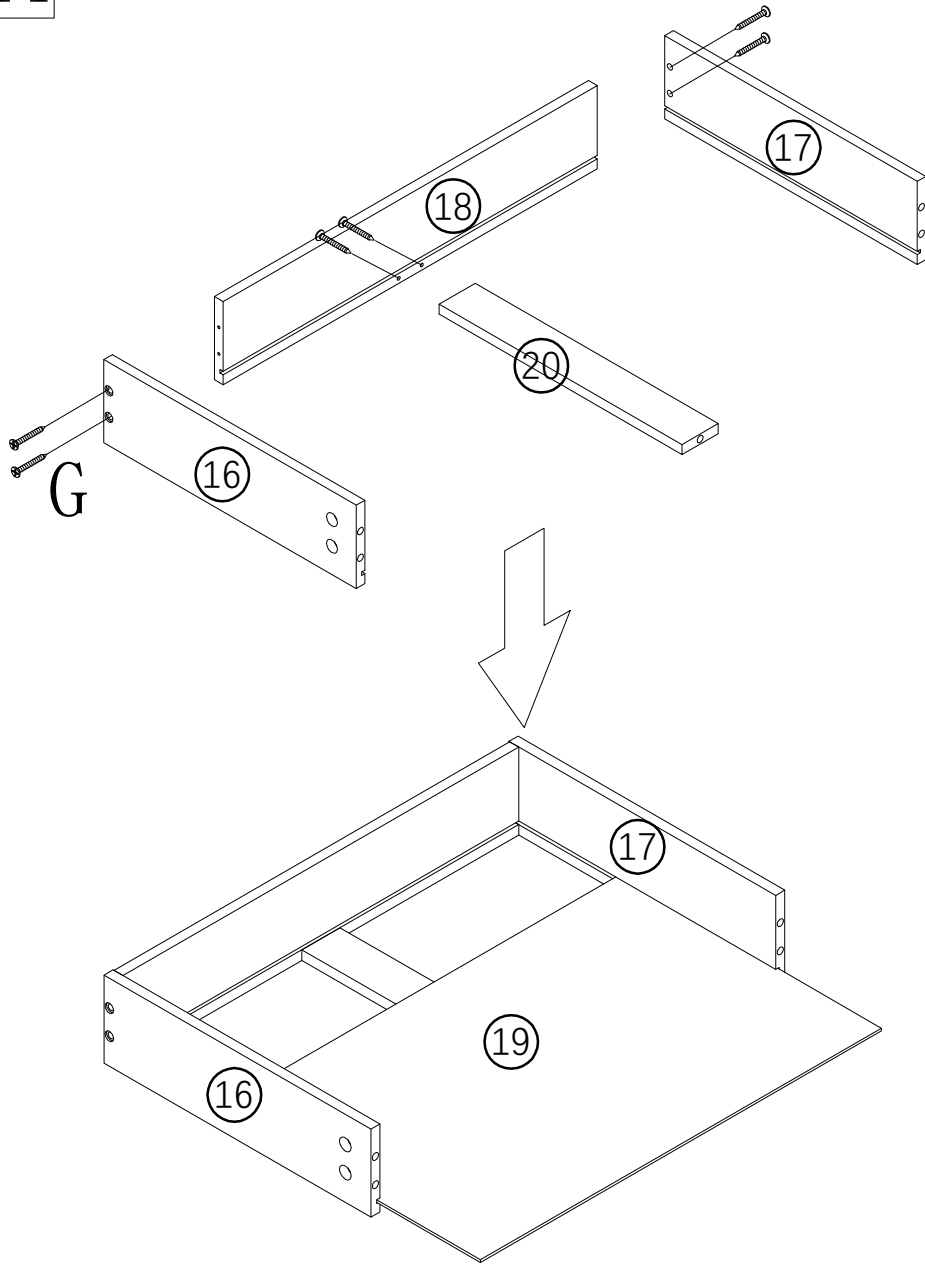
A*6 B*4 D*2

13



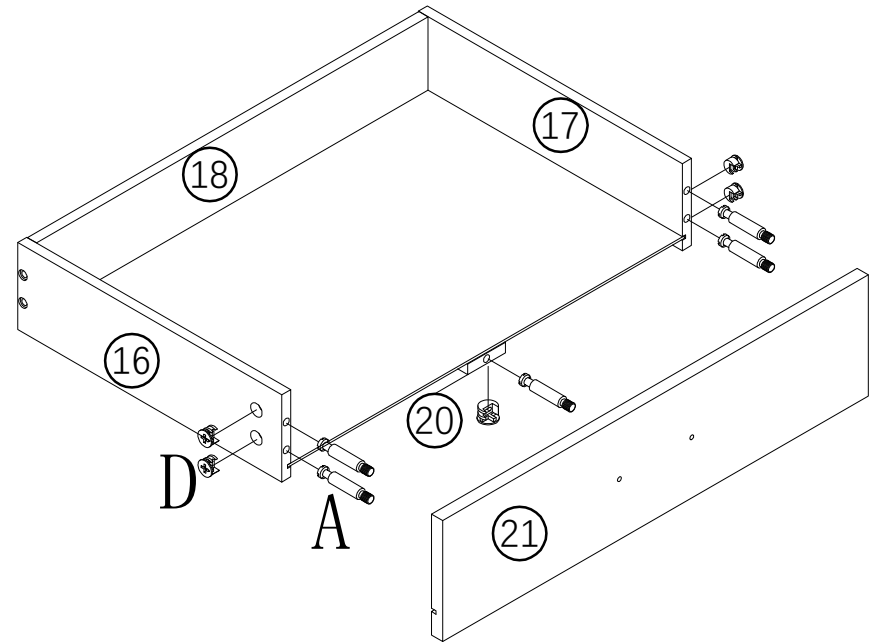
D*4

14



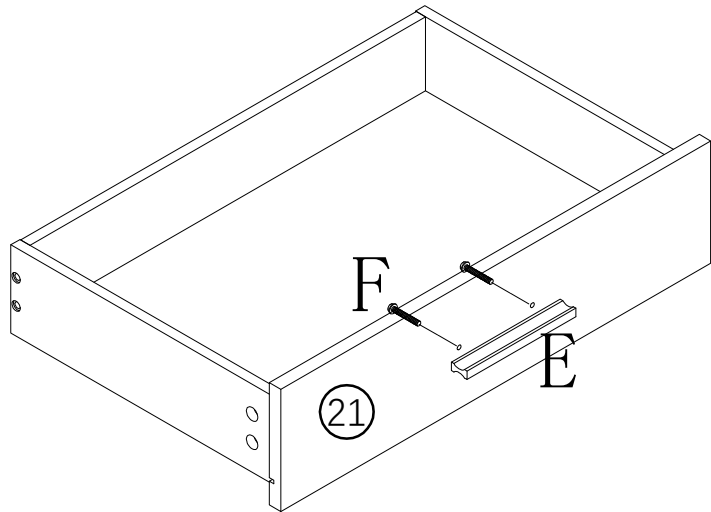
G*6

15



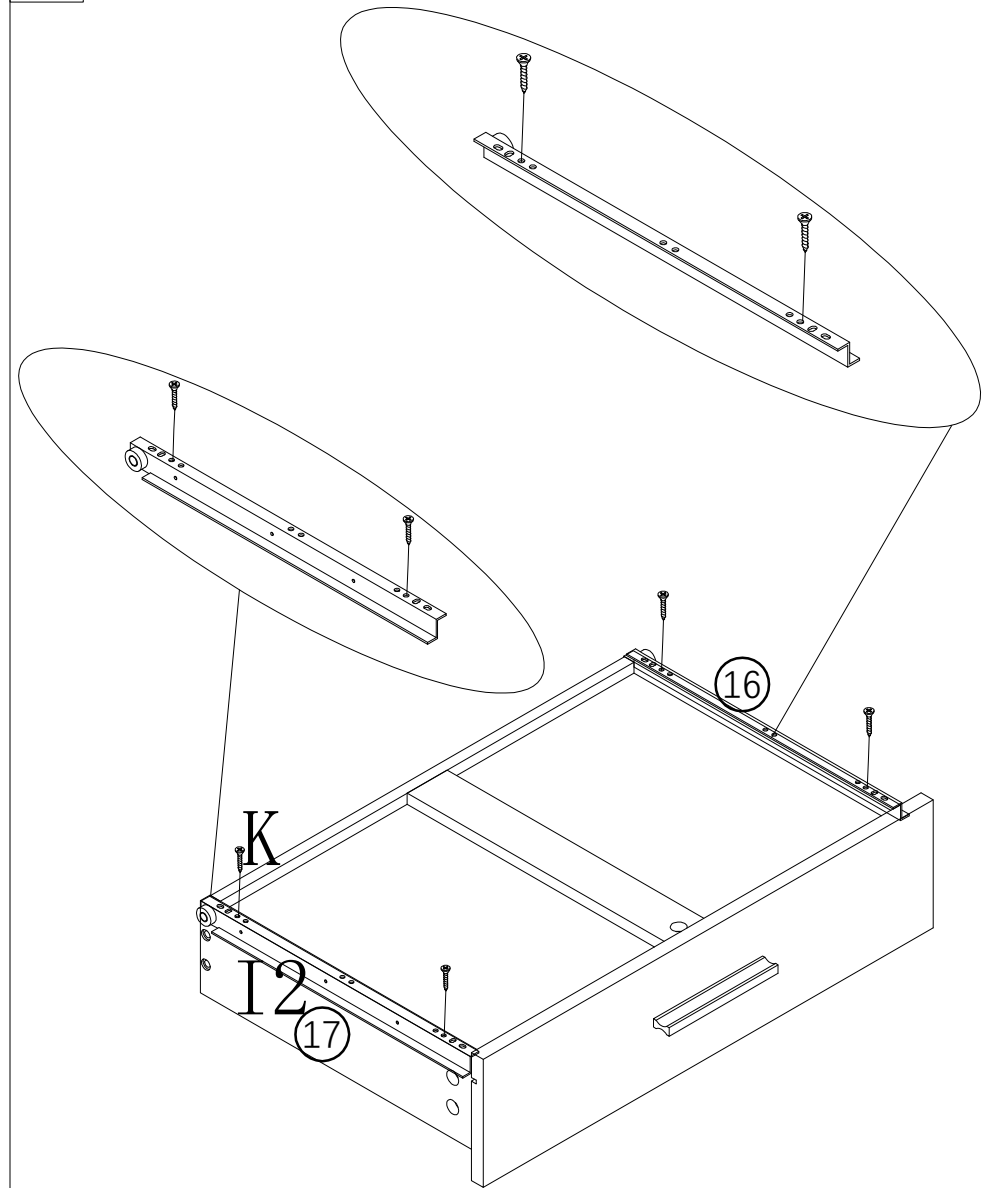
A*5 D*5

16



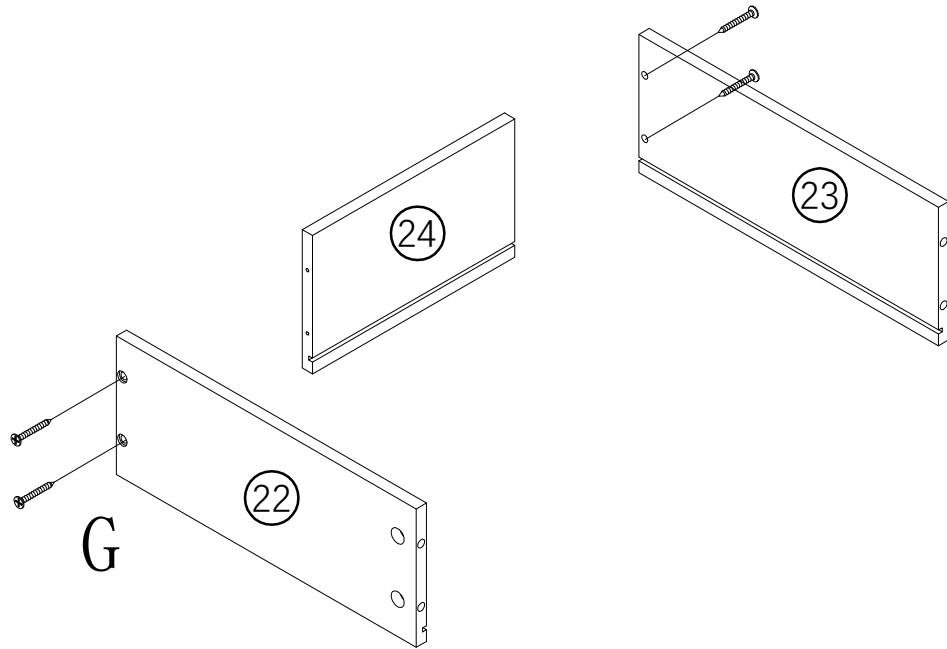
E*1 F*2

17

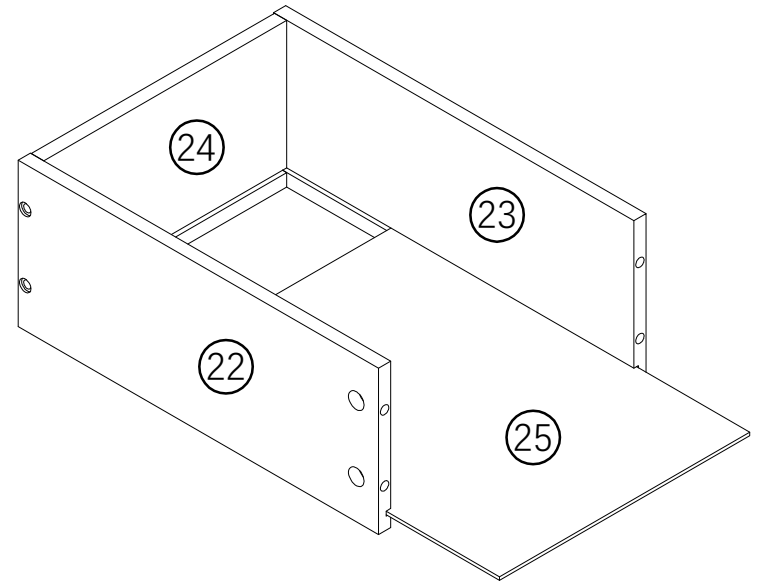


I2*2 K*4

18

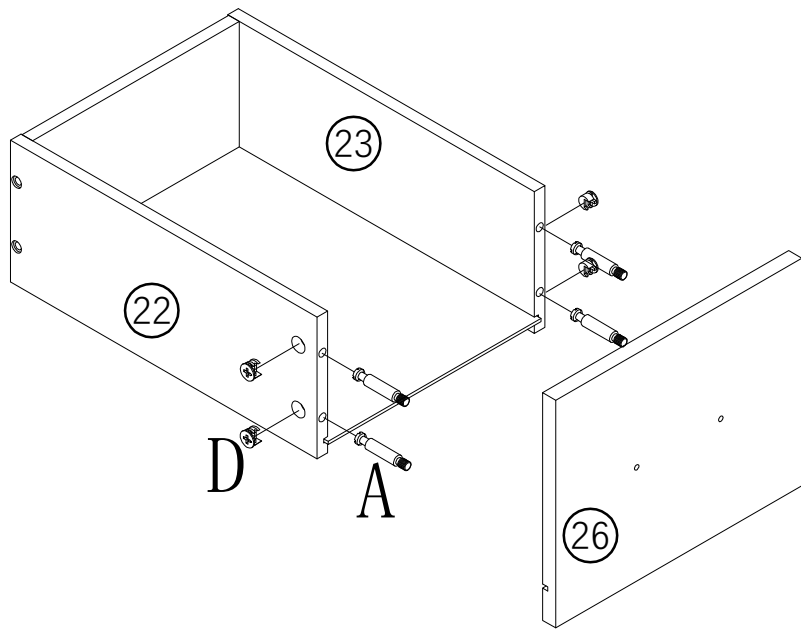


19



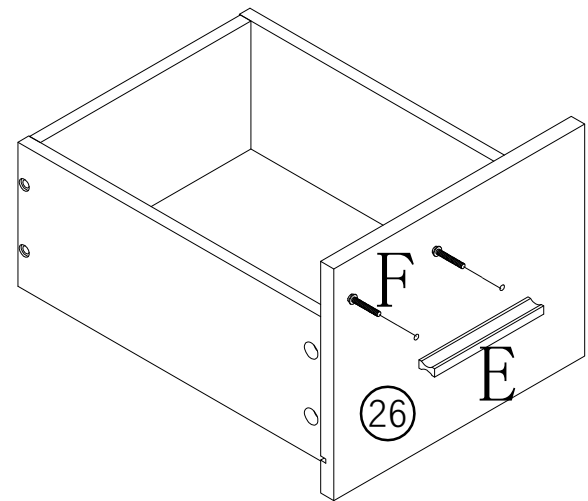
$G*4$

20



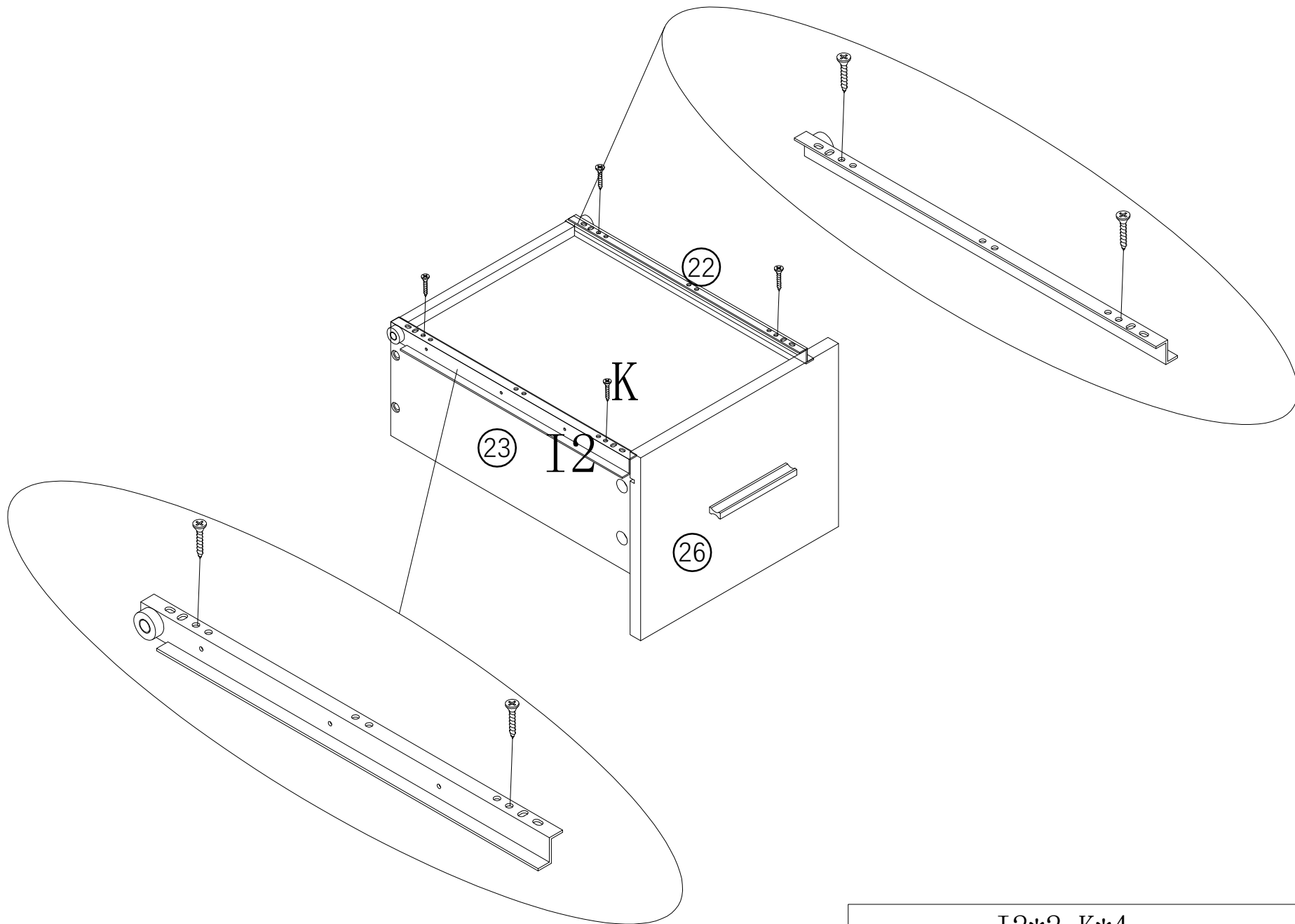
A*4 D*4

21



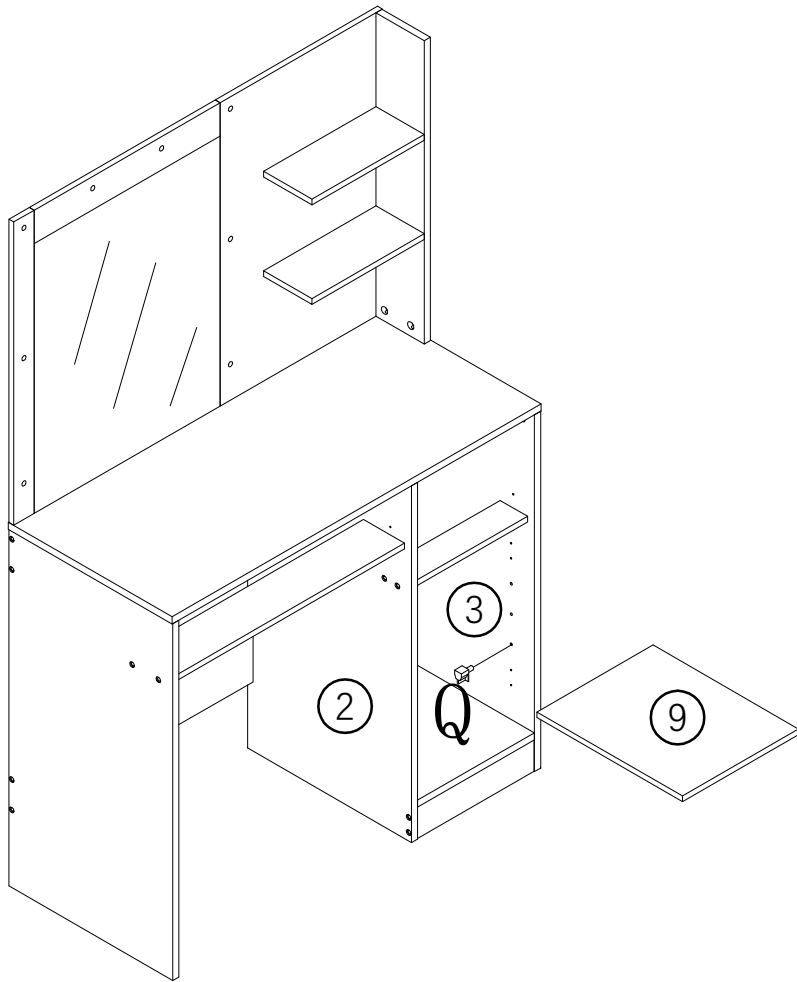
E*1 F*2

22



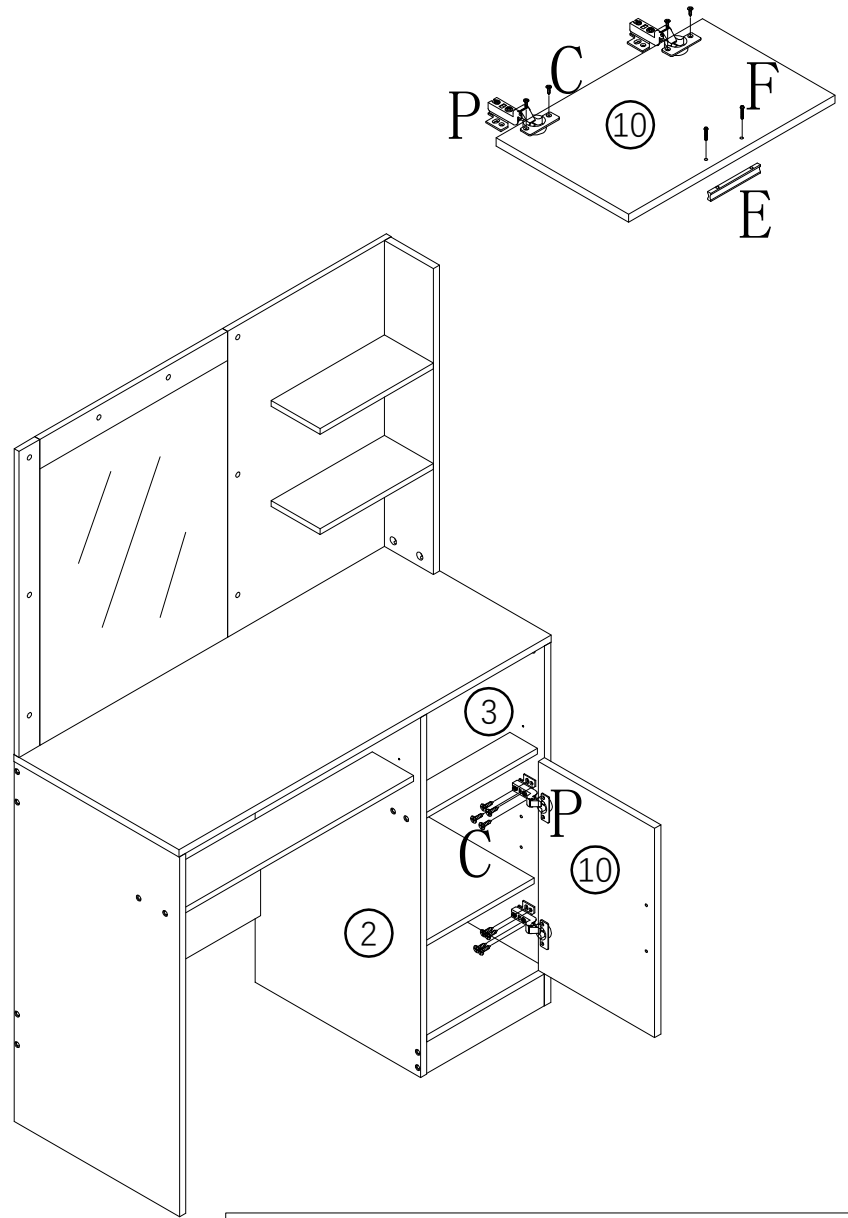
I2*2 K*4

23



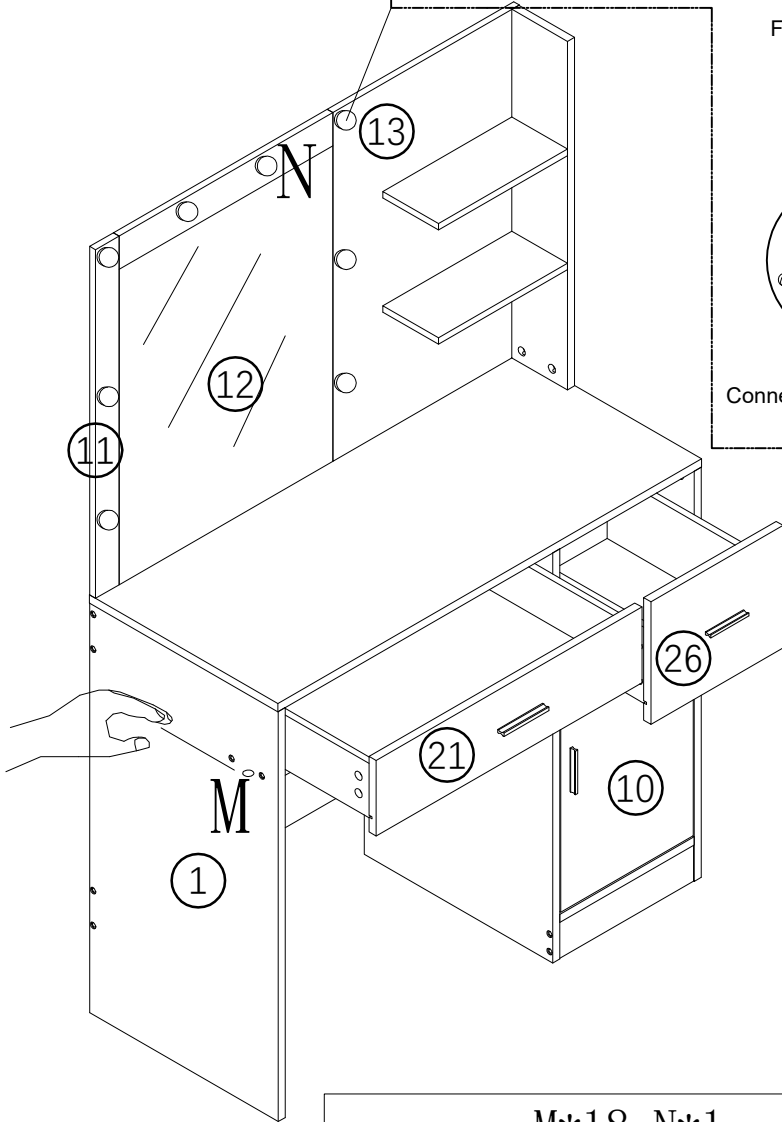
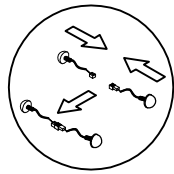
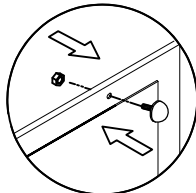
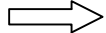
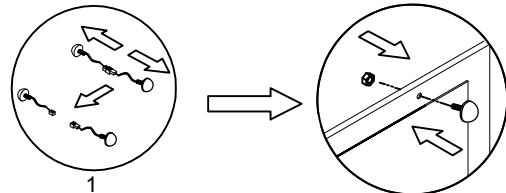
Q*4

24



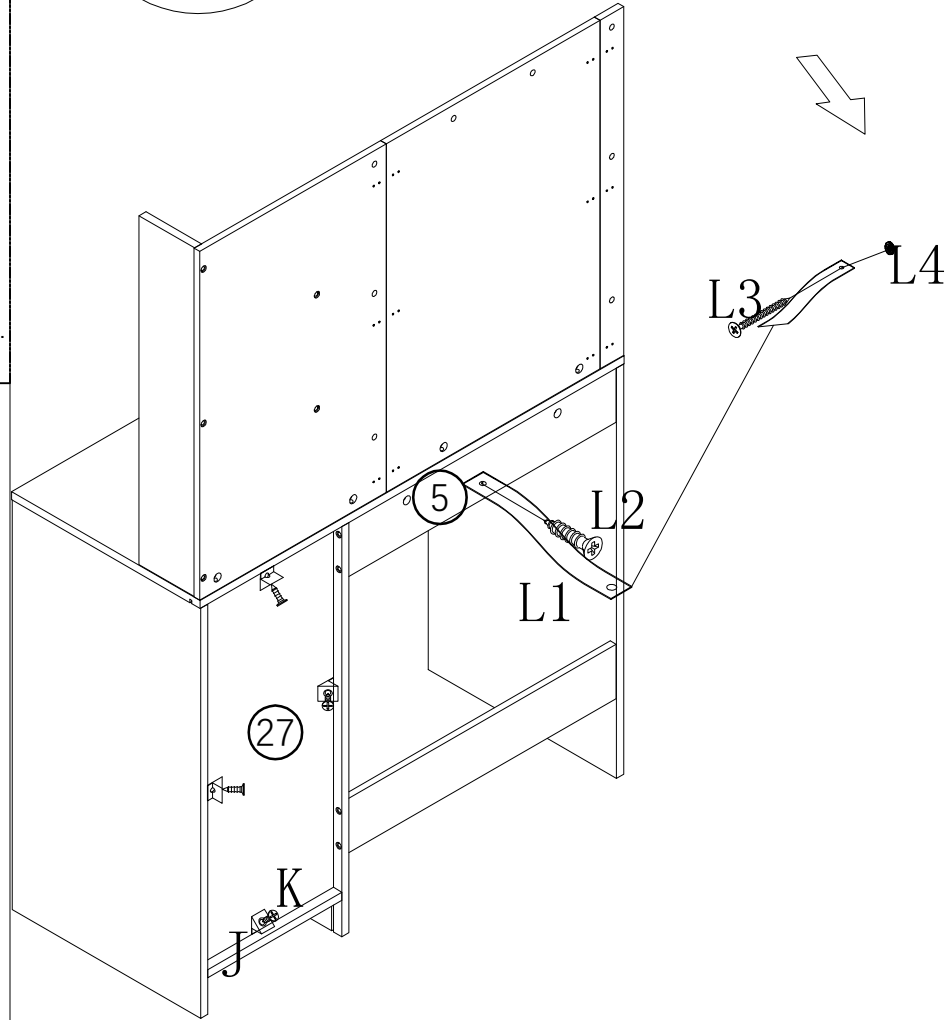
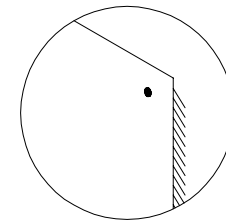
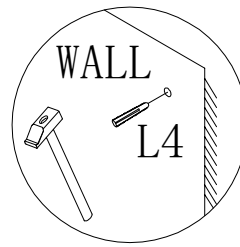
C*12 E*1 F*2 P*2

25



M*18 N*1

26



J*4 K*4 L*1

27

