

# ASSEMBLY INSTRUCTION

**(Box 1)**  
BOX OF MIRROR

NO	ITEM	Qty
A	MIRROR	1 PC
B	MIRROR SUPPORT	2PCS

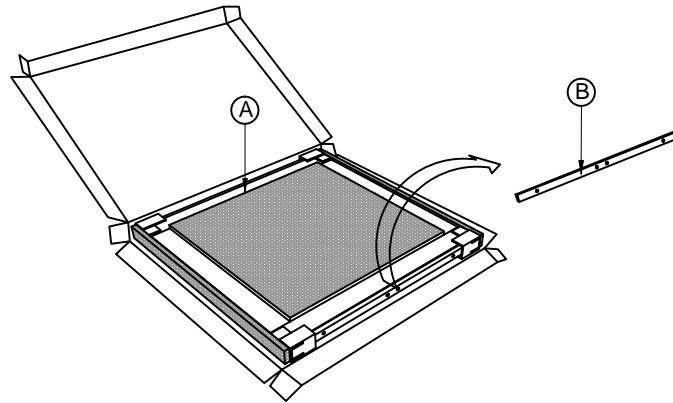
**(Box. 2)**  
BOX OF DRESSER

NO	ITEM	Qty
C	DRESSER	1 PC

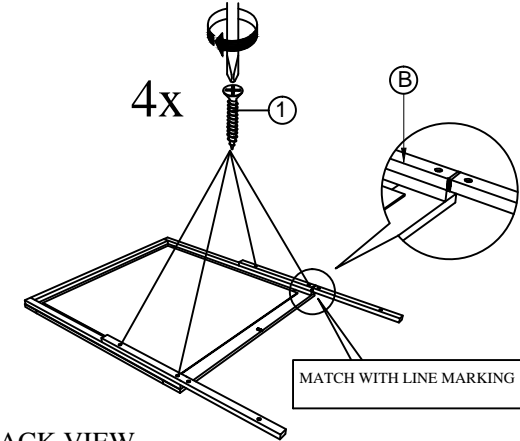
**(Box. 1)**  
HARDWARE LIST

NO	ITEM	Qty
1	Flat Head Chipboard Screw m4x32mm Rbw	8 PCS

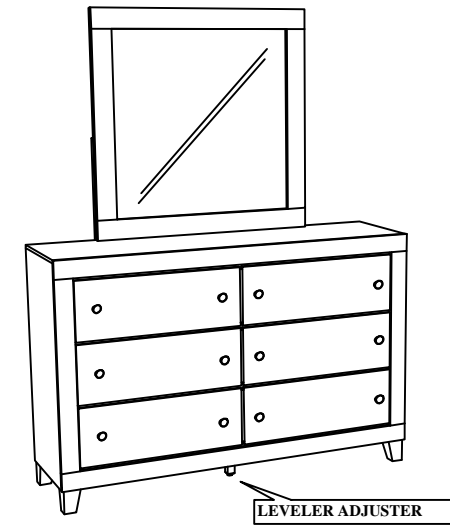
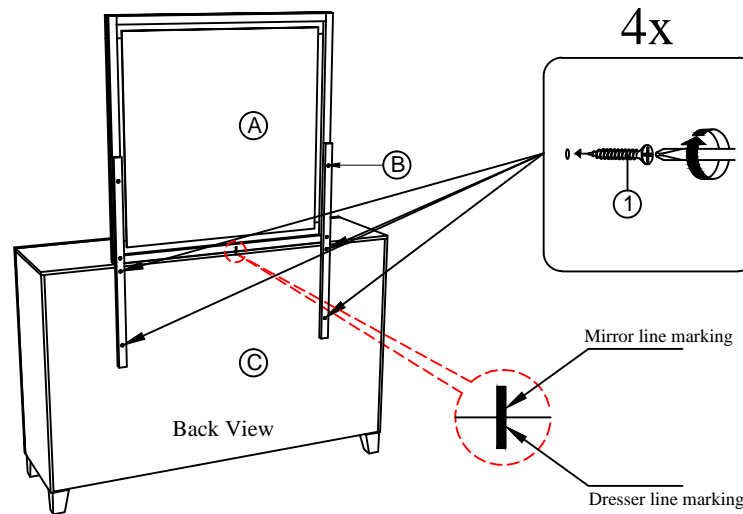
**STEP 1:** Remove mirror support (B) from carton



**STEP 2:** Align mirror support (B) by follow the line marking provided. Then fasten with Csk screw (1) securing them by using screw driver (NOT PROVIDED).



**STEP 3:** Place mirror (A) on top of dresser (C). Align & fasten mirror support (B) to the back of dresser (C) using Csk Screw (1) with Srew with screw driver.(NOT PROVIDED)  
Note : Make sure marking mirror must align with the dresser marking as shown.



COMPLETED ASSEMBLY

NOTE : MUST TIGHTEN SCREWS PERIODCALLY WITH USE SCREW WILL BECOME LOOSE CHECK TIGHTNESS OF ALL SCREW EVERY 6-8 WEEKS.