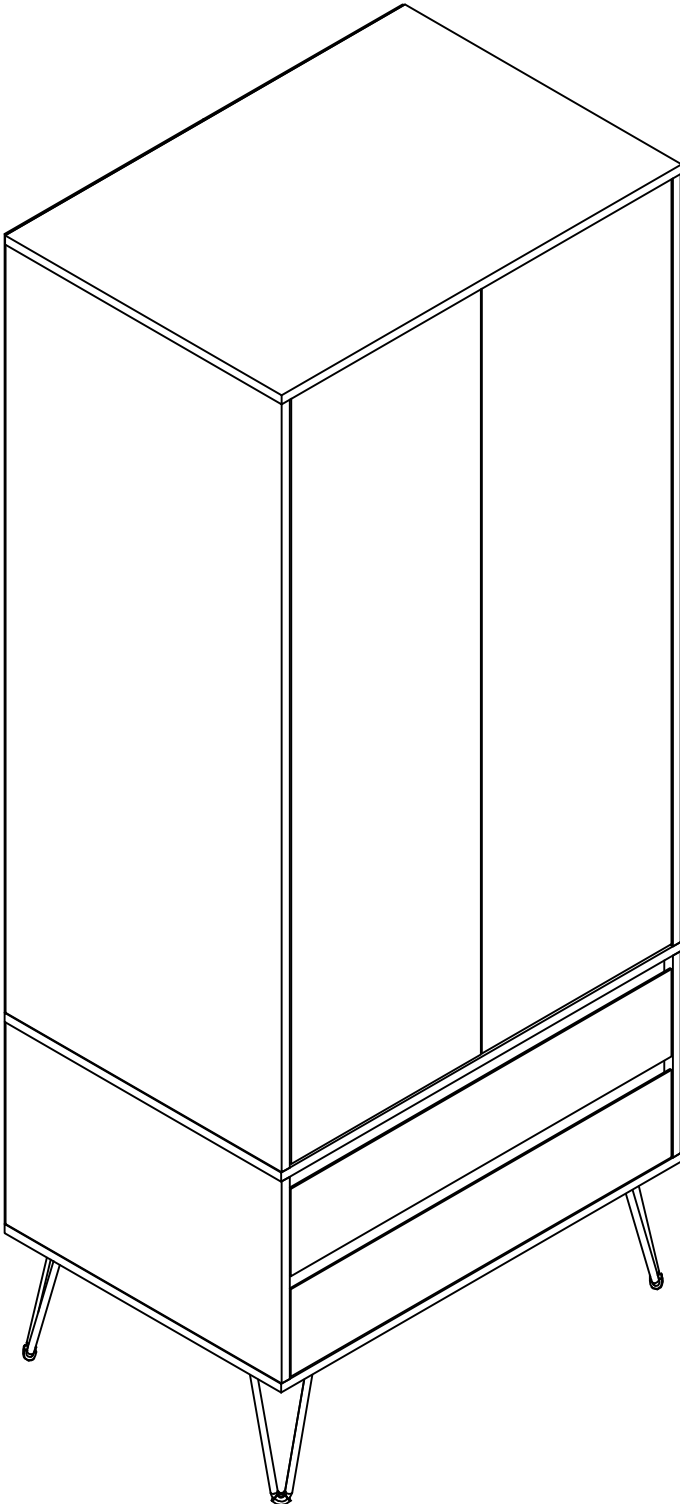


**ASSEMBLY
INSTRUCTION**

**2 DOOR 2 DRAWER WARDROBE
2 PERSON ASSEMBLY**

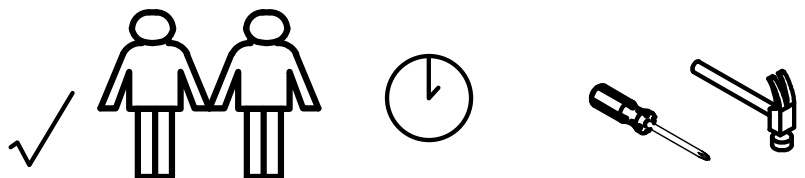
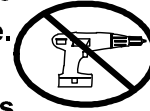
**Please check all fittings & panels are
in the box prior to assembly**



Safety and Care Advice

IMPORTANT - Please Read This Instruction Carefully Before Assembly.

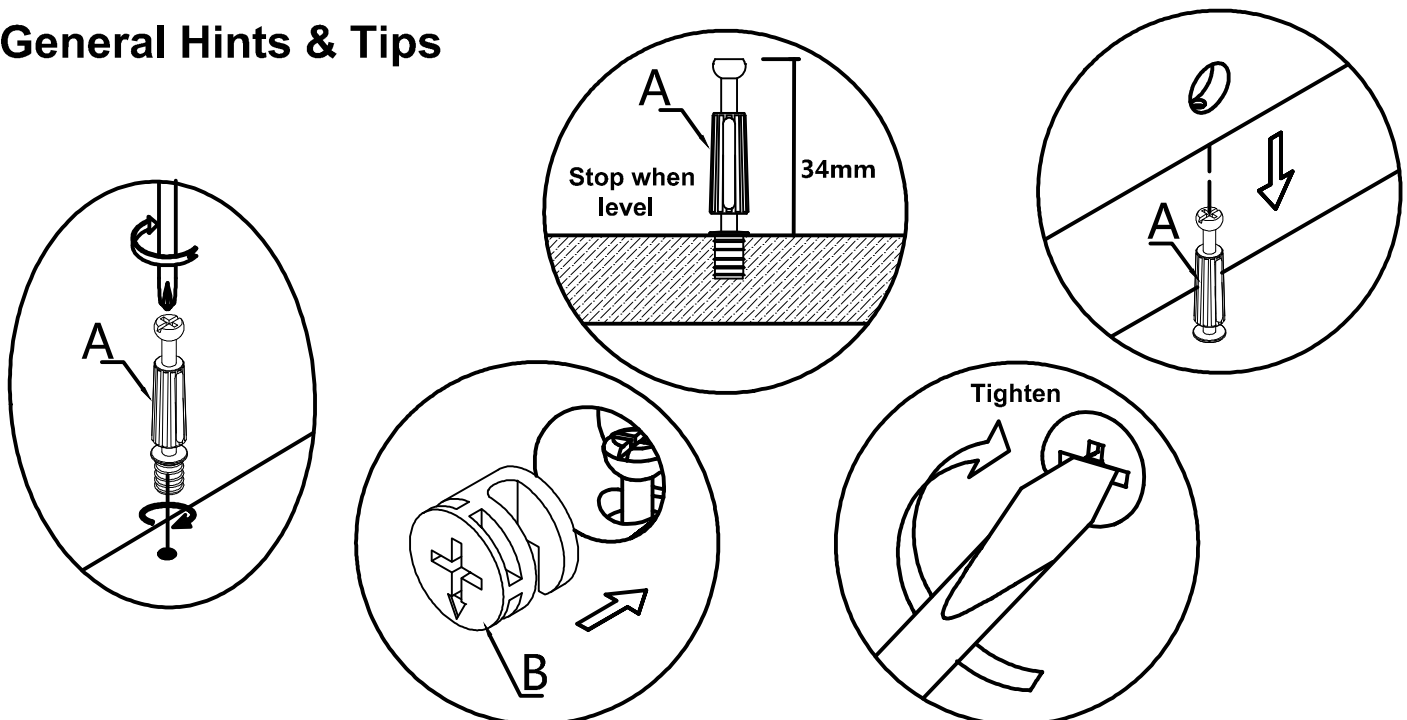
- Check you have all the components and tools listed on page 3.
- Remove all settings from the plastic bags and separate them into their groups.
- Keep children and animals away from the work area, small parts could choke if swallowed.
- Make sure you have enough space to layout the parts before assembly.
- Do not stand or put weight on the product, this could cause damage.
- Assemble the item as close to it's intended position (in the same room) as possible.
- Assemble on a soft level surface to avoid damaging the unit.
- Parts of the assembly will be easier with 2 people.
- Do not use power drill/drivers for assembly, or the unit may be damaged.
- Dispose of all packaging carefully and responsibly.



CARE and MAINTENANCE

- Only clean using a damp cloth and mild detergent, do not use bleach or abrasive cleaners.
- From time to time check that there are no loose screws on this unit.
- This product should not be discarded with household waste. Take to your local authority waste disposal center.

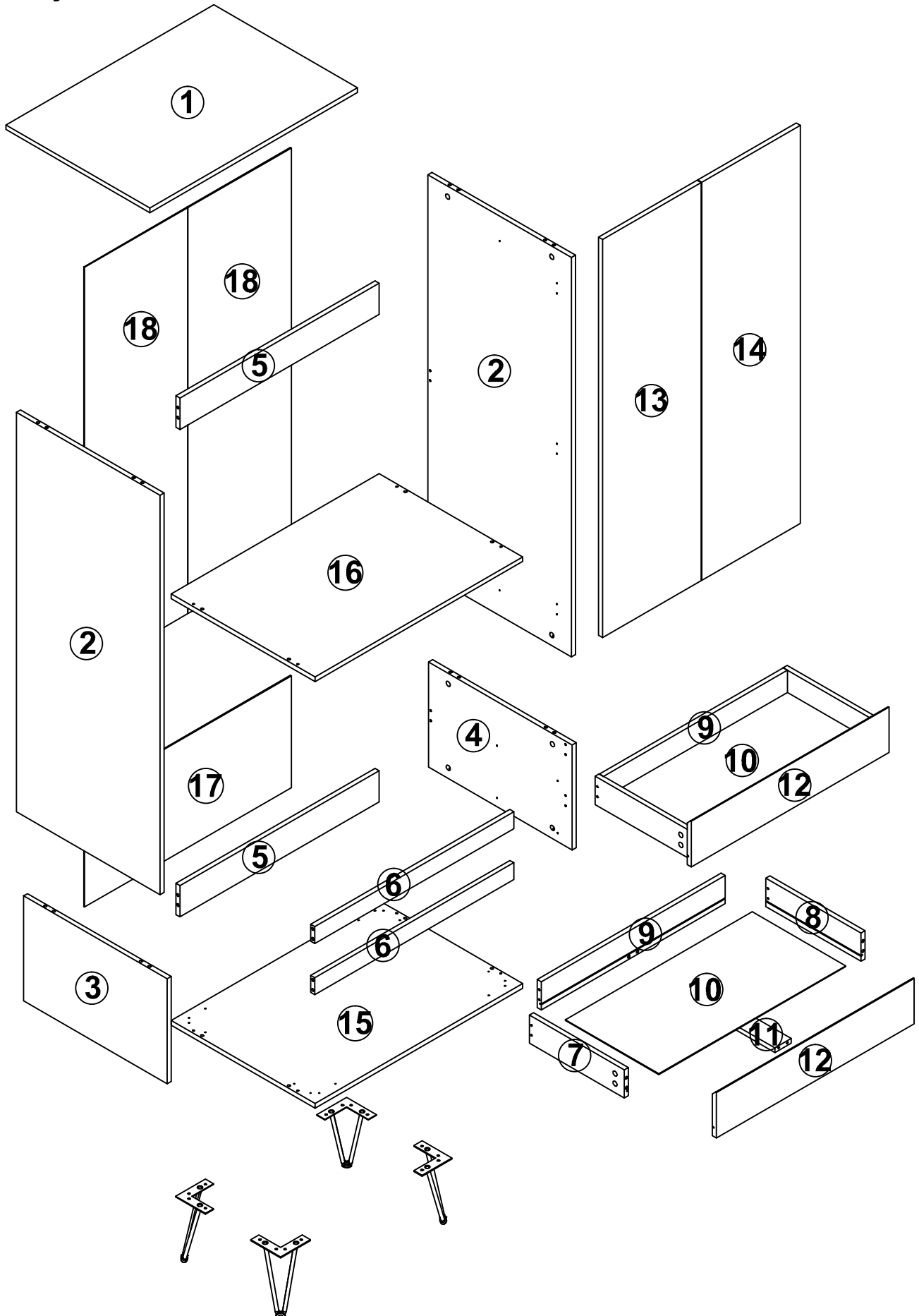
General Hints & Tips



Components and Tools

IMPORTANT - Please Check If You Have All The Components and Tools.

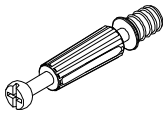

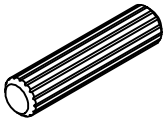

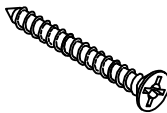

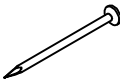
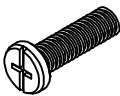
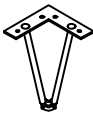
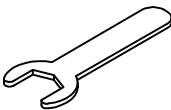


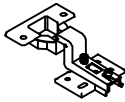
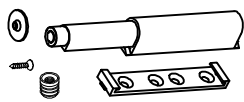
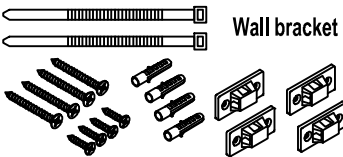
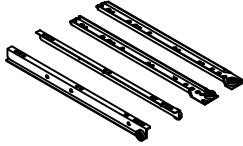
Note: The quantities below are the correct amount to complete the assembly. In some cases more pieces may be supplied than are required.



Components and Tools

IMPORTANT - Please Check If You Have All The Components and Tools.

Note: The quantities below are the correct amount to complete the assembly. In some cases more pieces may be supplied than are required.

<p>A=40</p>  <p>Peg M6*34mm</p>	<p>B=40</p>  <p>Lock M15*12mm</p>	<p>C=24</p>  <p>Dowel M6*30mm</p>	<p>D=60</p>  <p>Screw M3.5*14mm</p>	<p>E=8</p>  <p>Screw M4*38</p>	<p>F=16</p>  <p>Screw Cap</p>
<p>G=34</p>  <p>Pin</p>	<p>H=16</p>  <p>Screw</p>	<p>I=4</p>  <p>Plastic Feet</p>	<p>J=1</p>  <p>Wrench</p>	<p>K=2</p>  <p>Clothes Holder</p>	<p>L=1</p>  <p>Clothes Bar 728mm</p>
<p>M=6</p>  <p>Full Overly Door Hinge</p>	<p>N=2</p>  <p>push-to-open mechanism</p>	<p>P=1</p>  <p>Wall bracket</p>		<p>CR CL DR DL=2</p>  <p>Drawer Runner</p>	

1OF3 ②x2, ⑰, ⑱ x2。

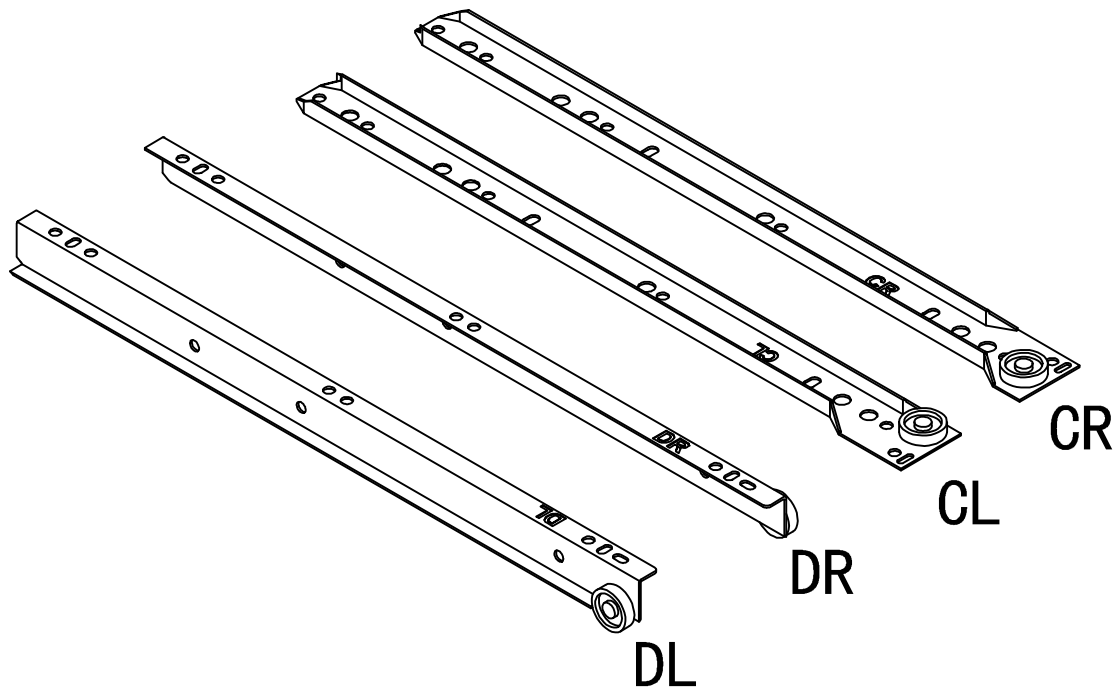
2OF3 ③, ④, ⑦x2, ⑧x2, ⑩x2, ⑪x2, ⑬, ⑭,

3OF3 ①, ⑤x2, ⑥x2, ⑨x2, ⑫x2, ⑮, ⑯, FITTING KIT。

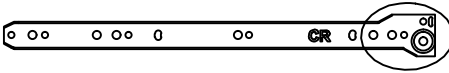
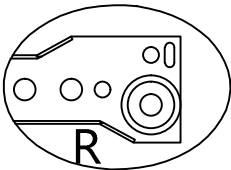
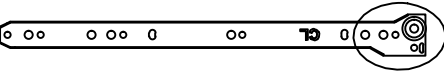
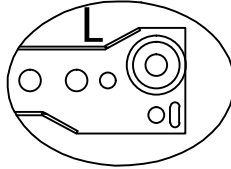

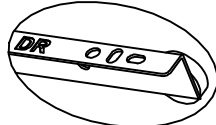
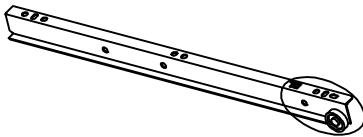
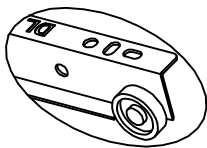
Drawer Runner Instruction

IMPORTANT - Please Read It Carefully.

NOTE: 1 PAIR DRAWER RUNNER INCLUDES 4 PIECES.

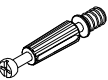

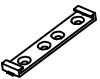


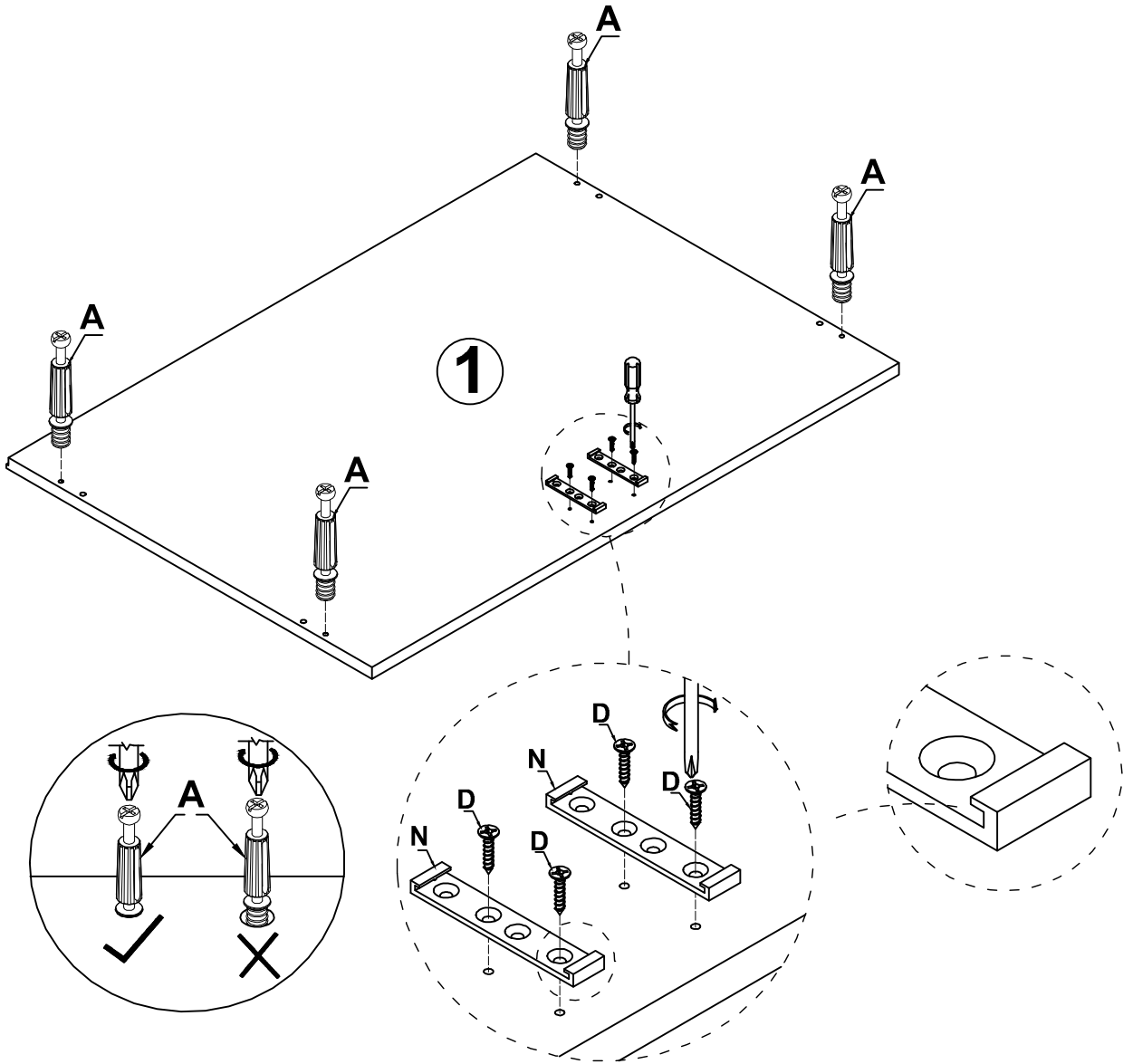
Fittings (not to scale)

NO.	DESCRIPTION	QTY		
CR	Outer Drawer Runner - Right	2PCS		
CL	Outer Drawer Runner - Left	2PCS		
DR	Inner Drawer Runner - Right	2PCS		
DL	Inner Drawer Runner - Left	2PCS		

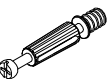

Assembly Instruction

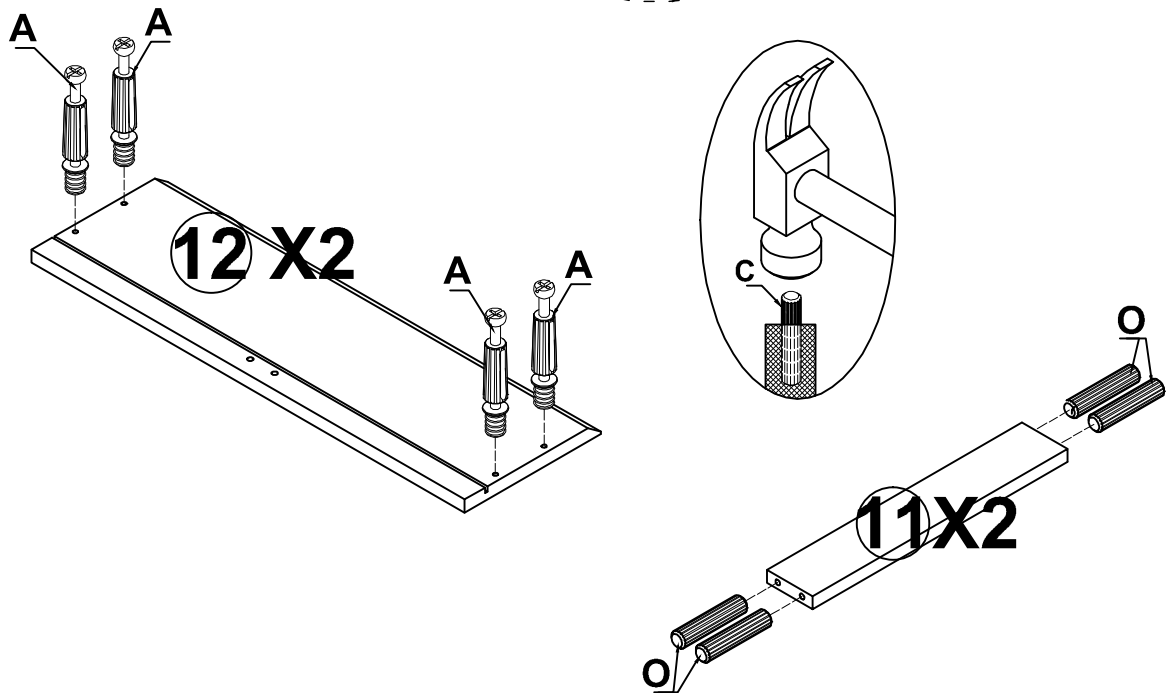
Step 1

A=4	D=4
	
Peg	Screw M3.5*14mm
N=2	
	
push-to-open mechanism	



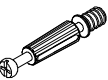



Step 2

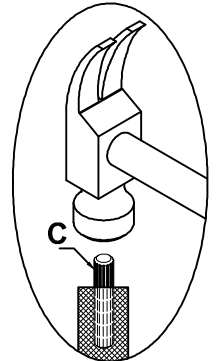
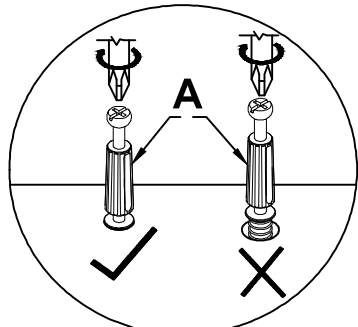
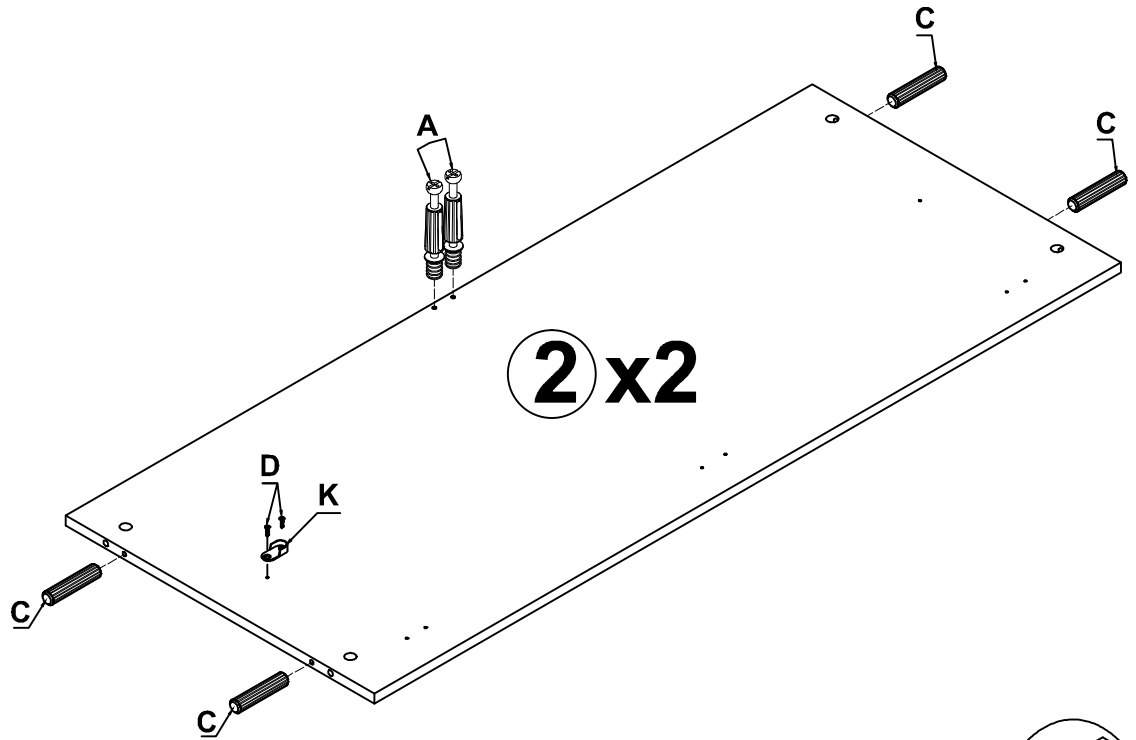
A=8	O=8
	
Peg	Dowel



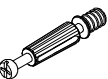
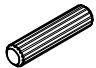



Assembly Instruction

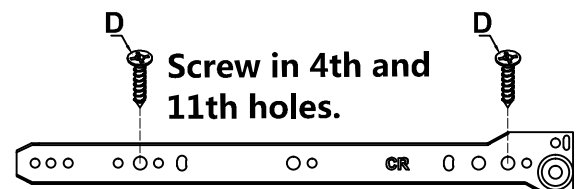
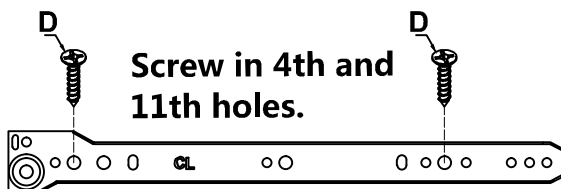
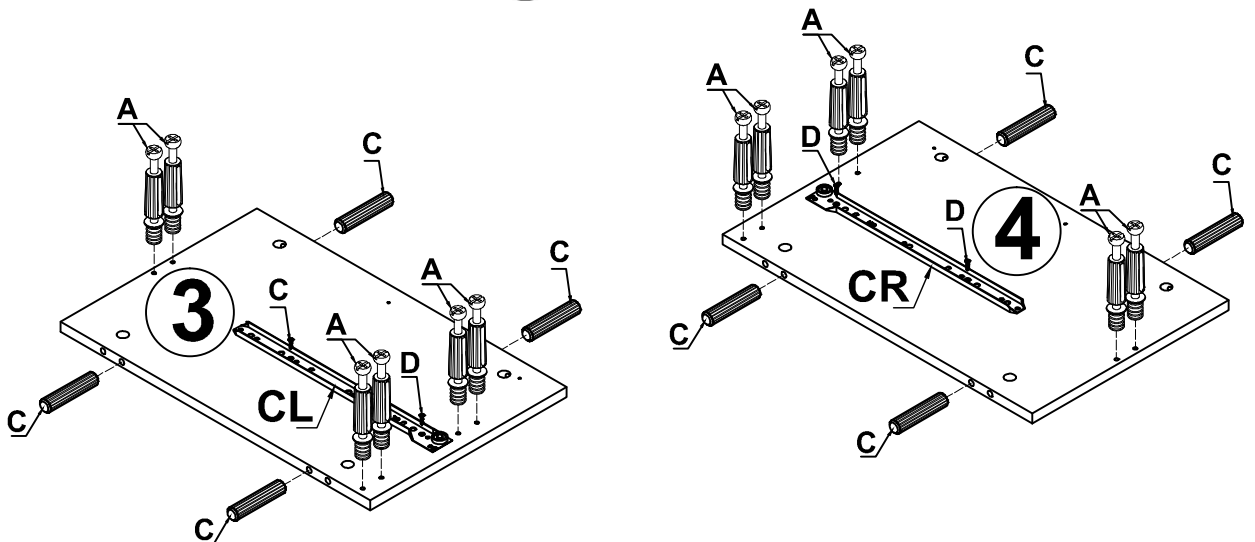
Step 3

A=4	C=8
	
Peg	Dowel
D=4	K=2
	
Screw M3.5*14mm	Clothes Holder




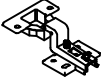



Step 4

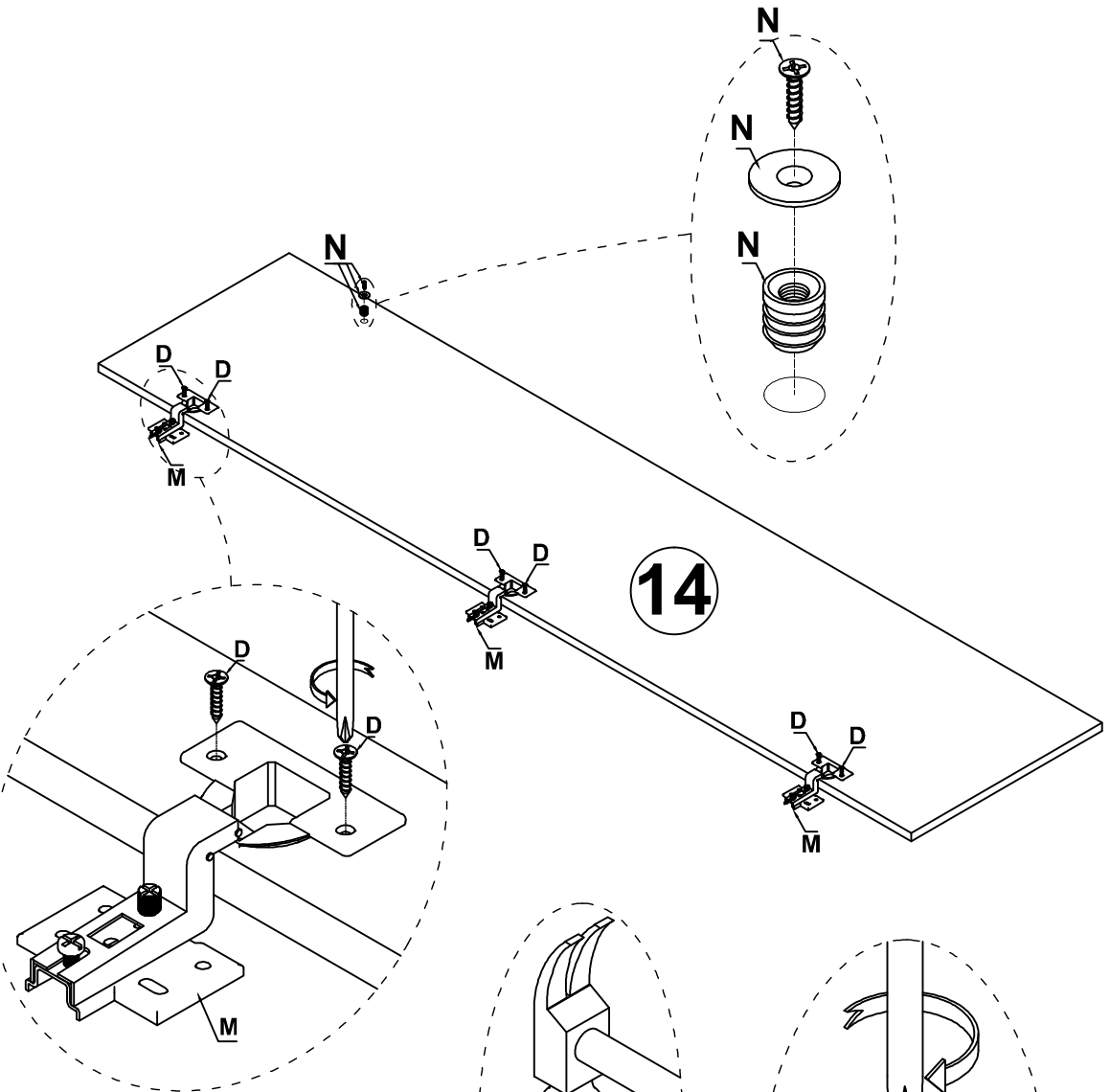
A=12	C=8
	
Peg	Dowel
D=4	CL=1
	
Screw M3.5*14mm	Drawer Runner
CR=1	
	
Drawer Runner	




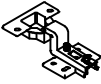



Assembly Instruction

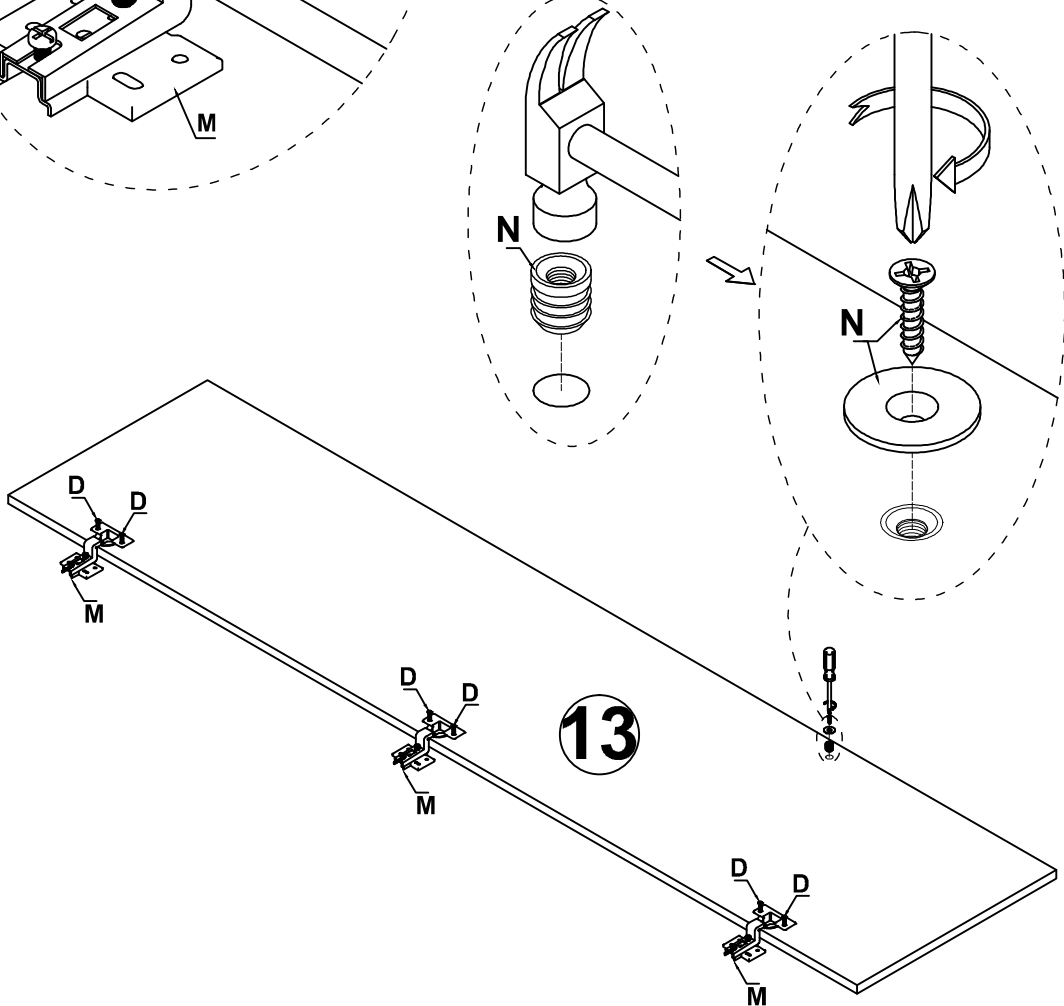
Step 5

D=6	M=3
	
Screw M3.5*14mm	Full Overly Door Hinge
N=1	
  	
push-to-open mechanism	



Step 6

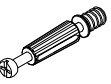
D=6	M=3
	
Screw M3.5*14mm	Full Overly Door Hinge
N=1	
  	
push-to-open mechanism	



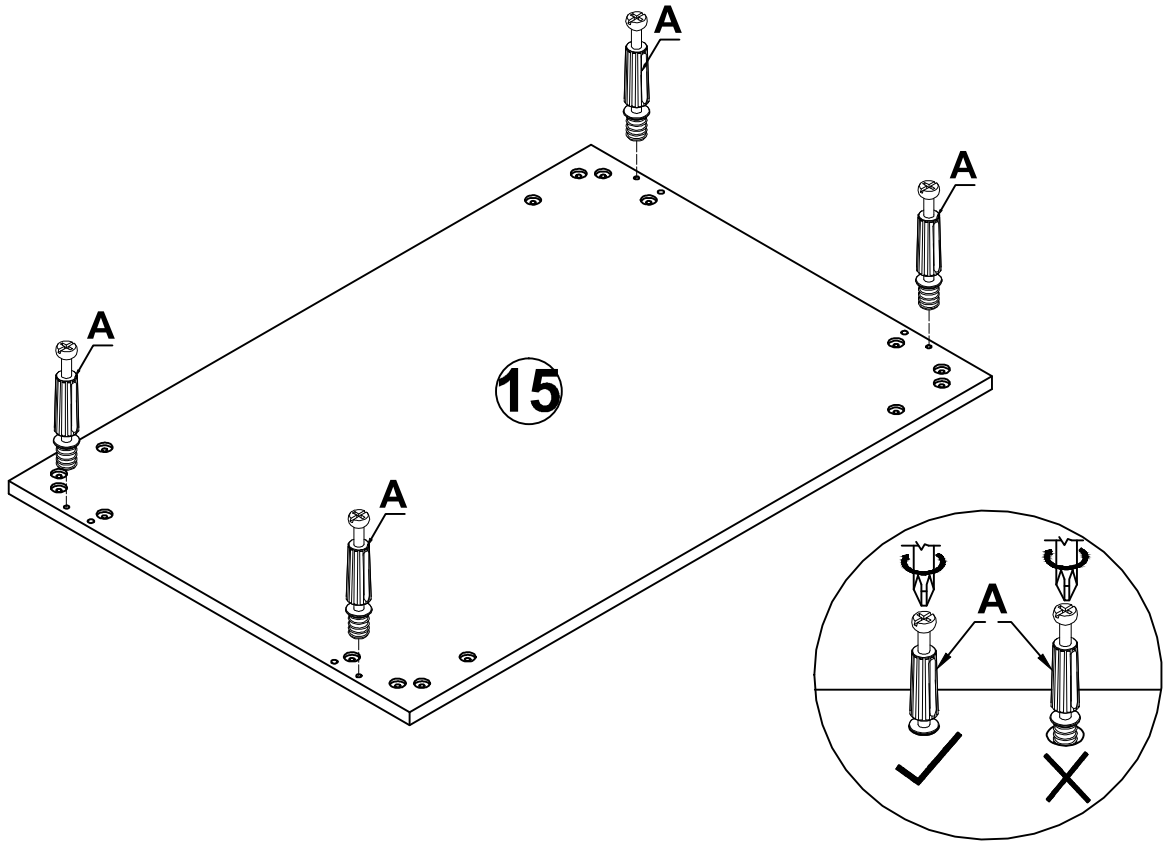
Assembly Instruction

Step 7

A=4



Peg



Step 8

F=16

H=16



Screw Cap

Screw

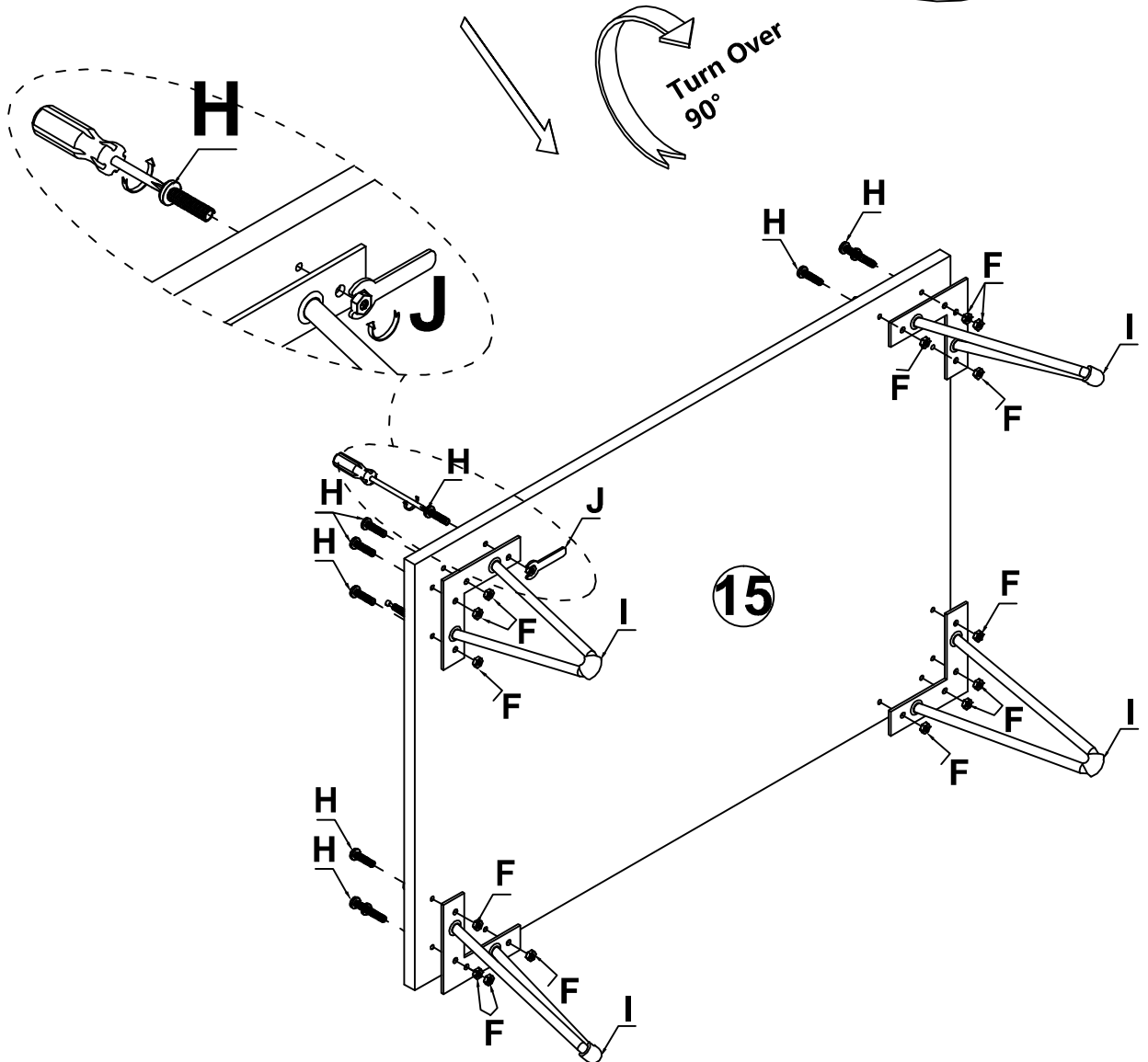
I=4

J=1



Plastic Foot

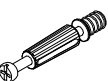
Wrench



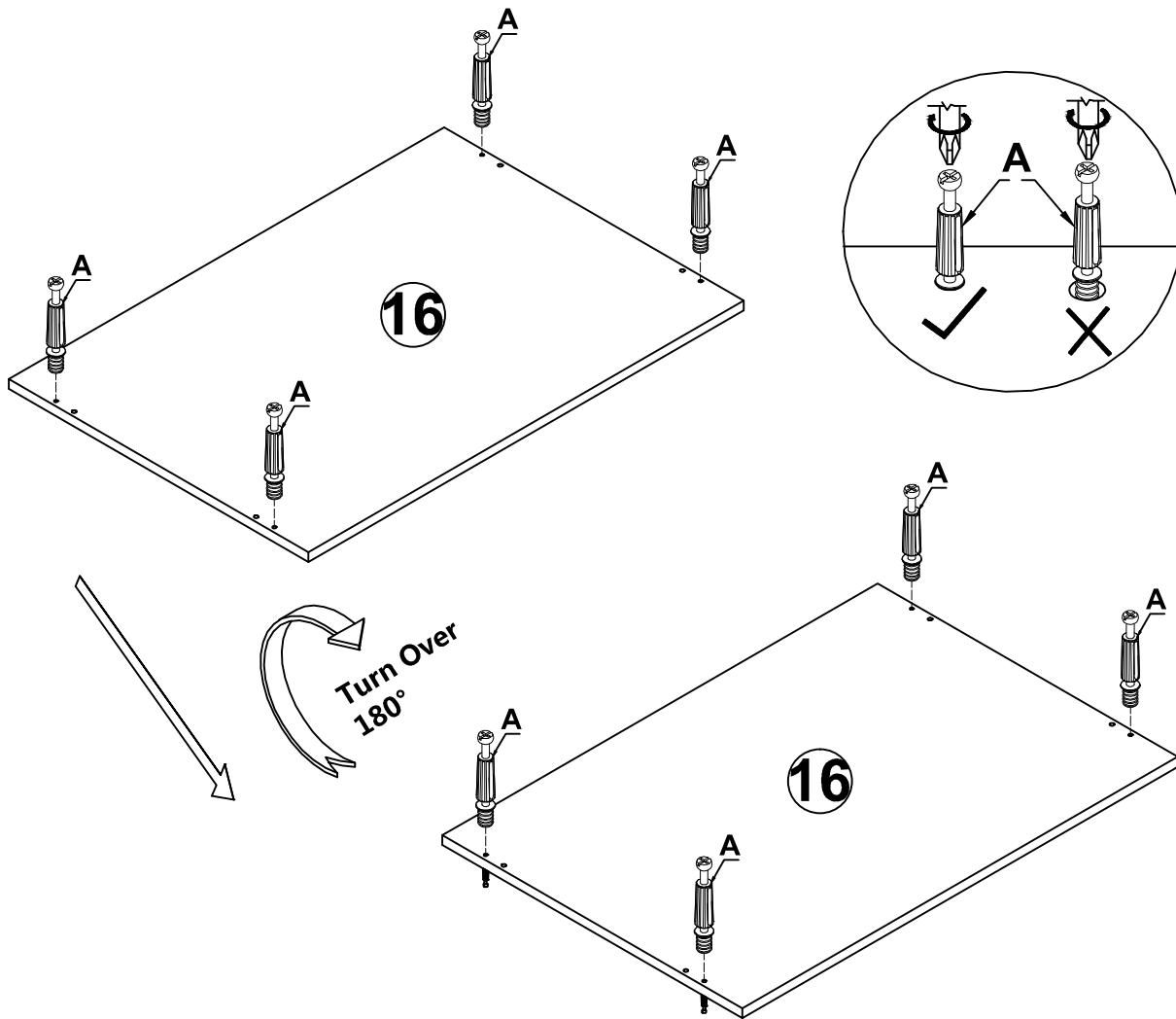
Assembly Instruction

Step 9

A=8



Peg

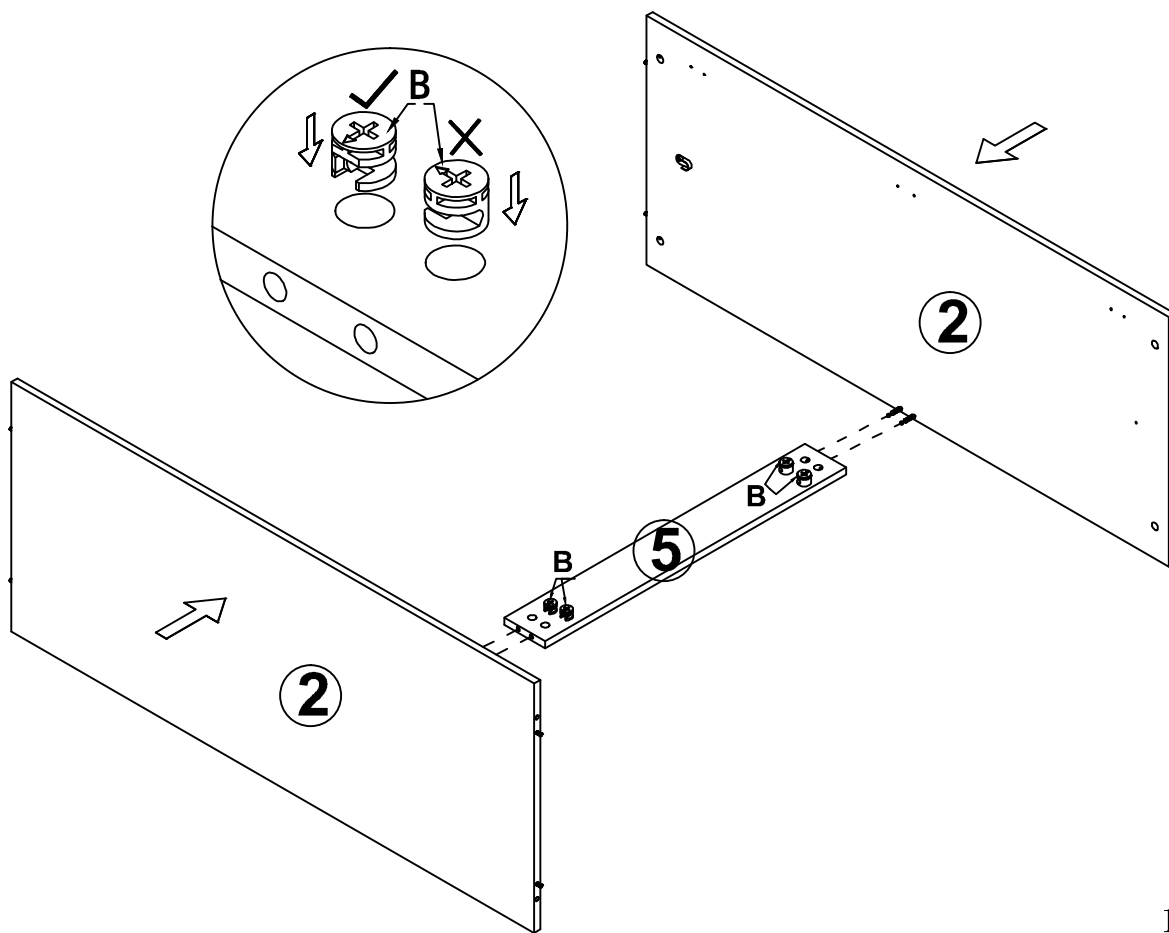


Step 10

B=4



Lock



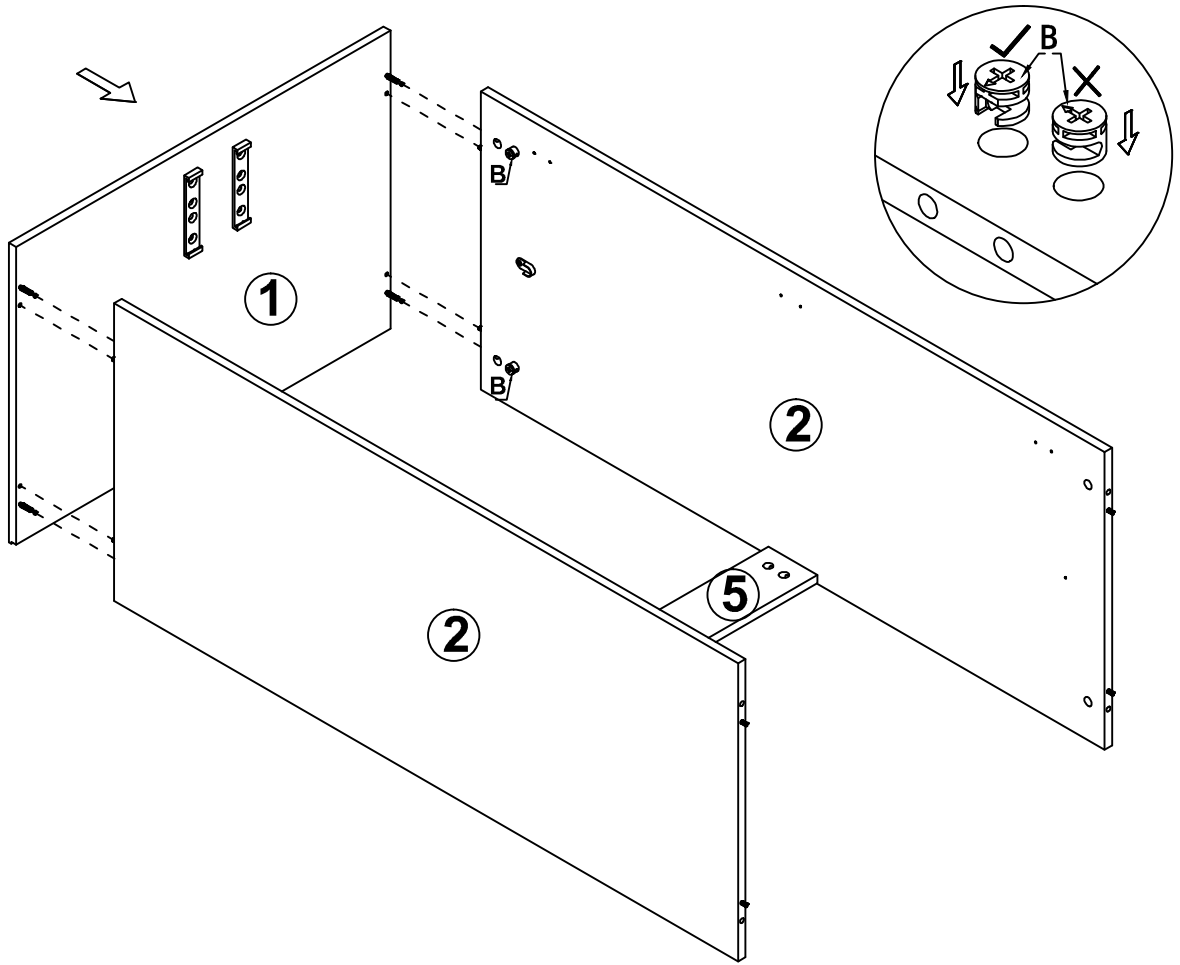
Assembly Instruction

Step 11

B=4



Lock

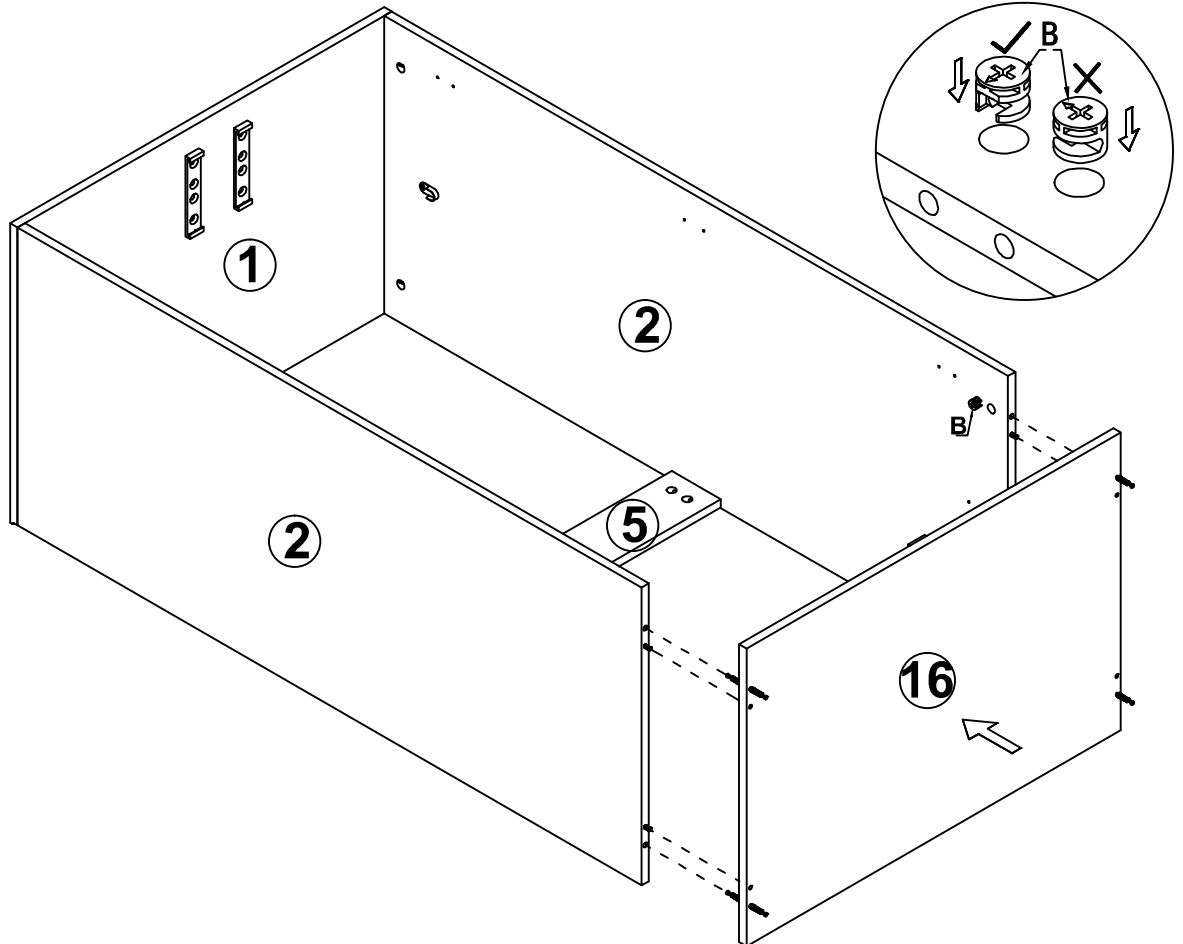


Step 12

B=4



Lock



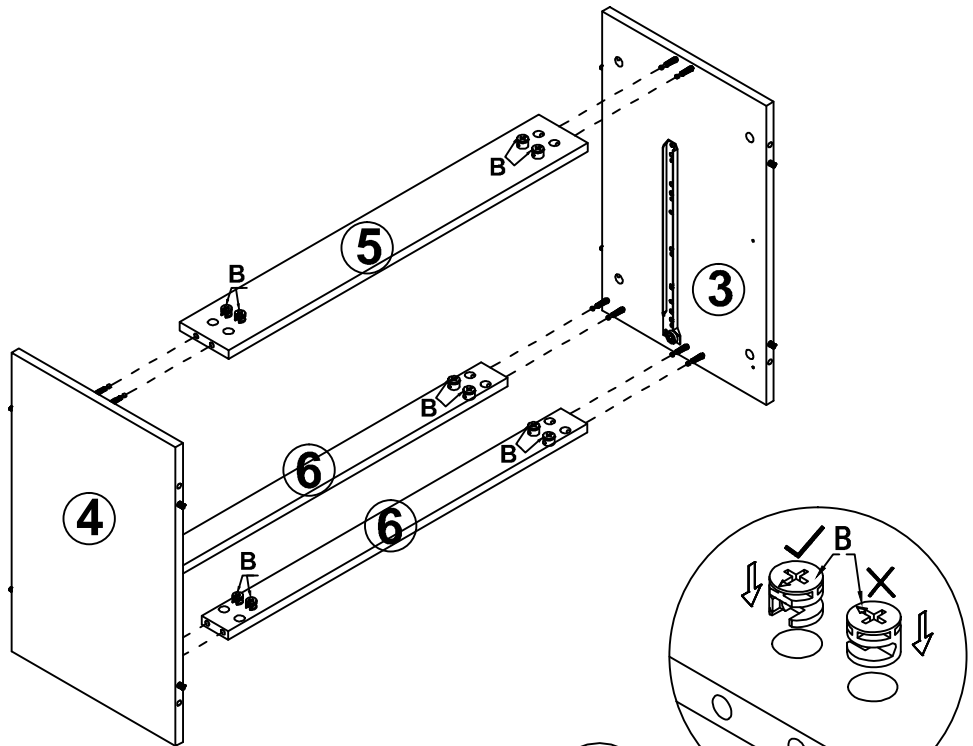
Assembly Instruction

Step 13

B=12



Lock



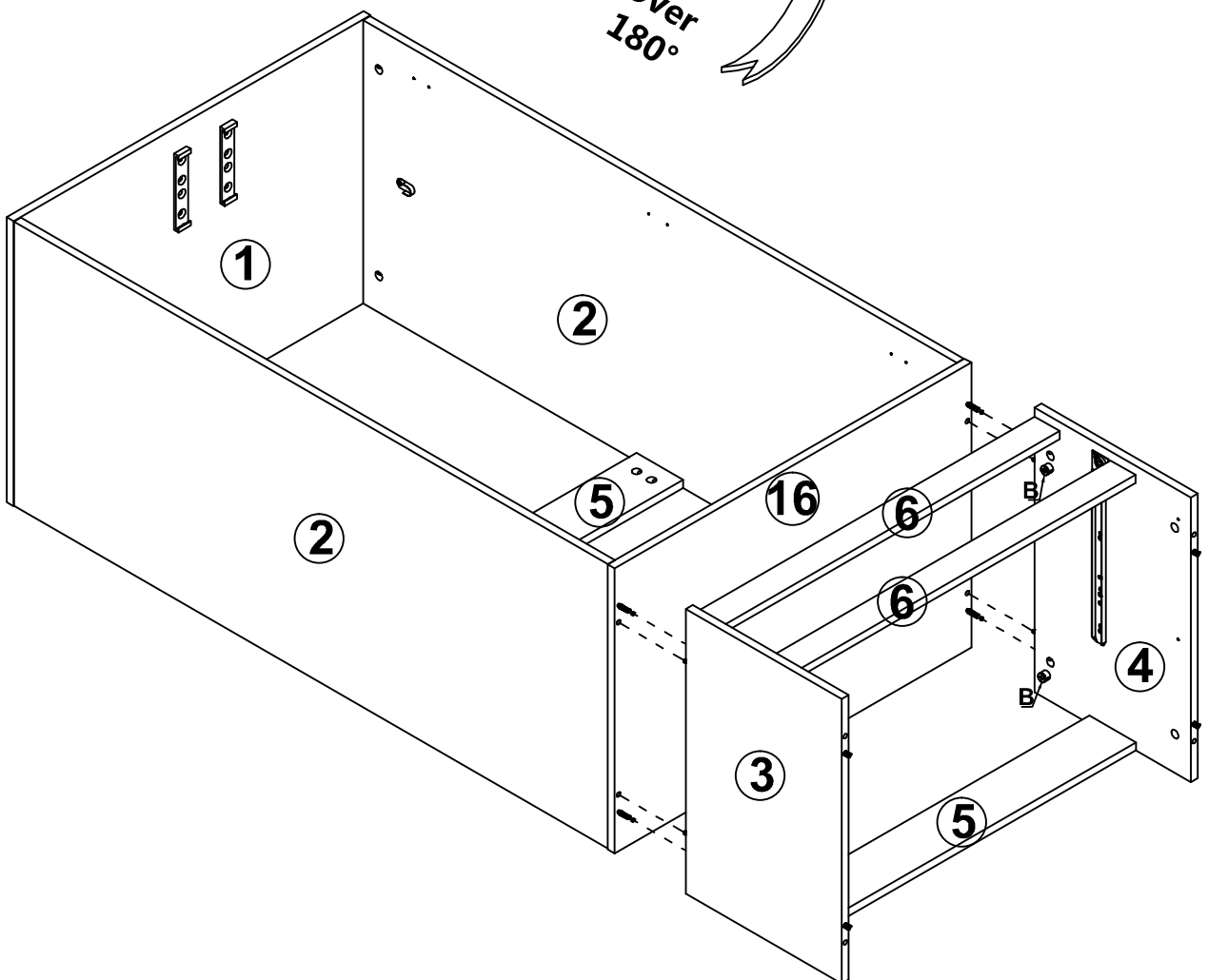
Turn Over
180°

Step 14

B=4



Lock



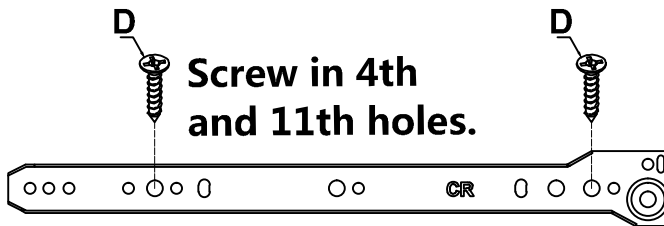
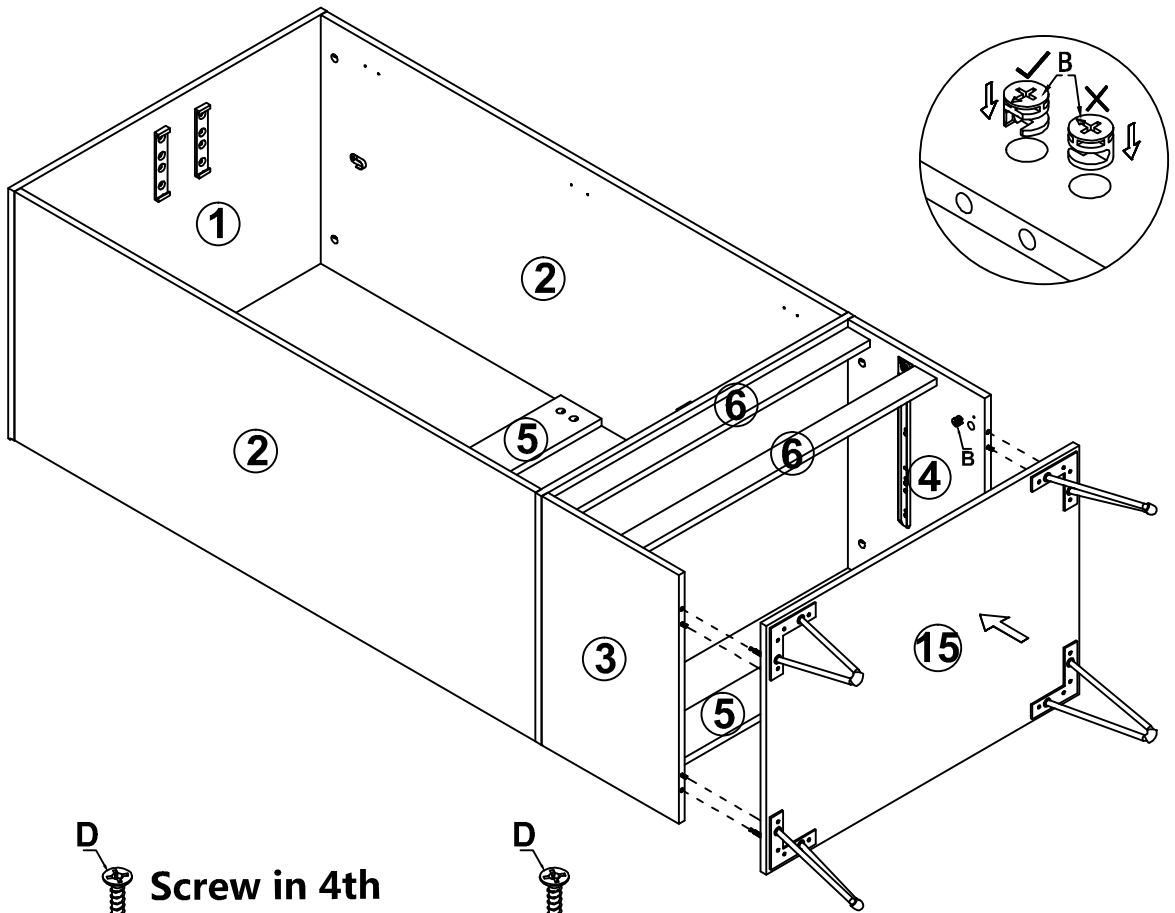
Assembly Instruction

Step 15

B=4



Lock



Step 16

D=4

CL=1



Screw
M3.5*14mm

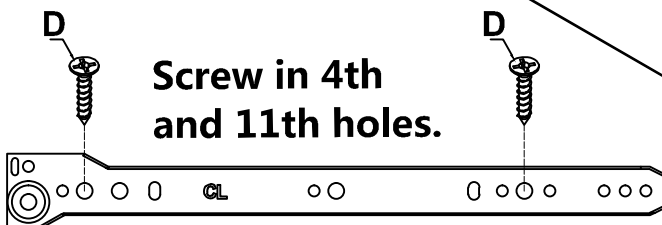
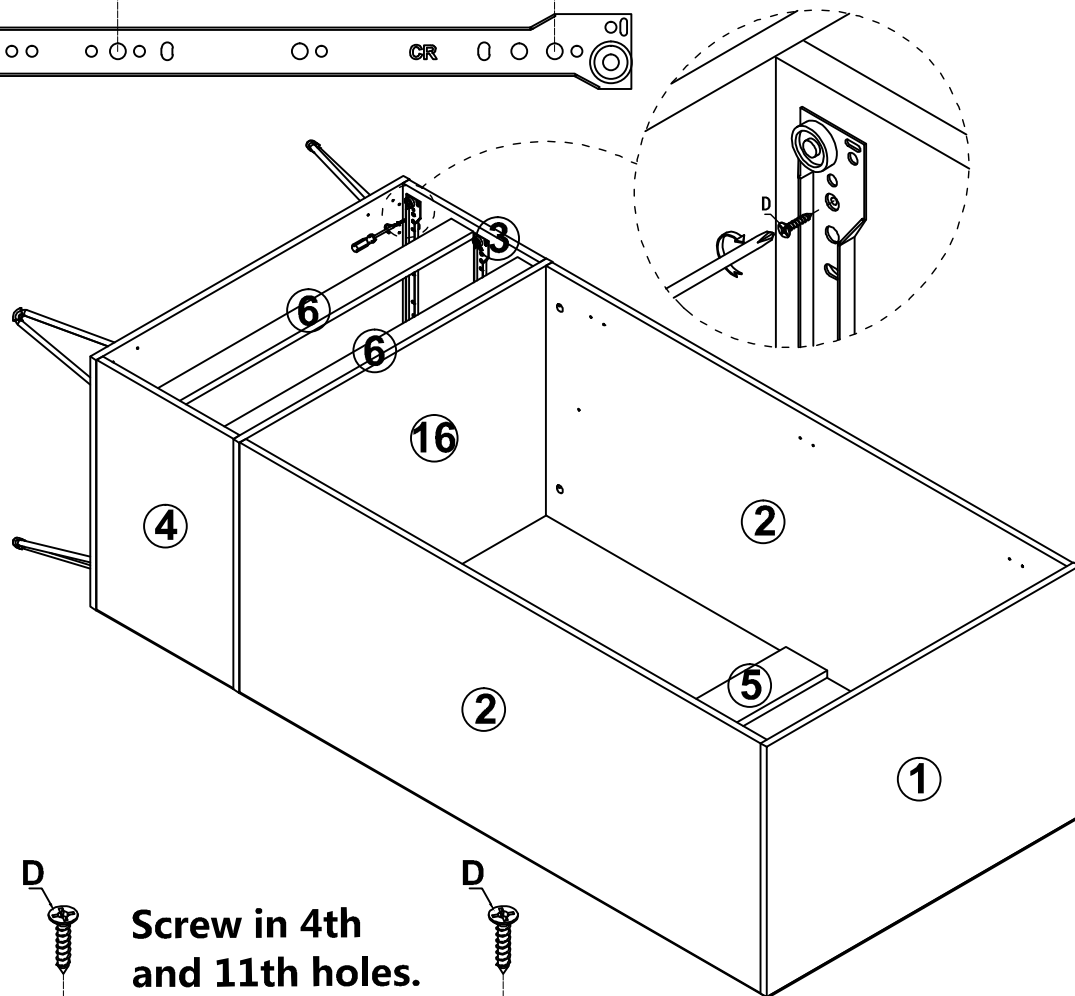


Drawer
Runner

CR=1



Drawer
Runner



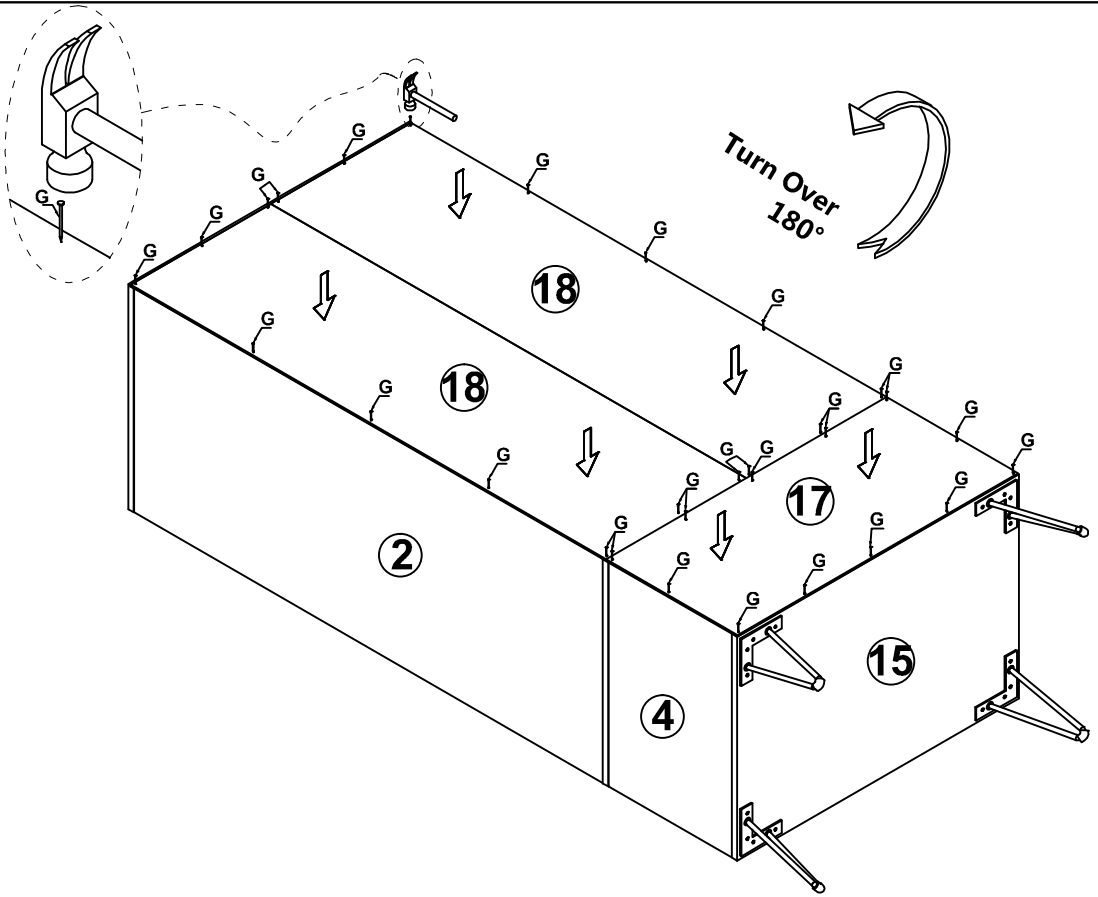
Assembly Instruction

Step 17

G=34



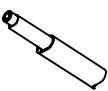
Lock



Step 18

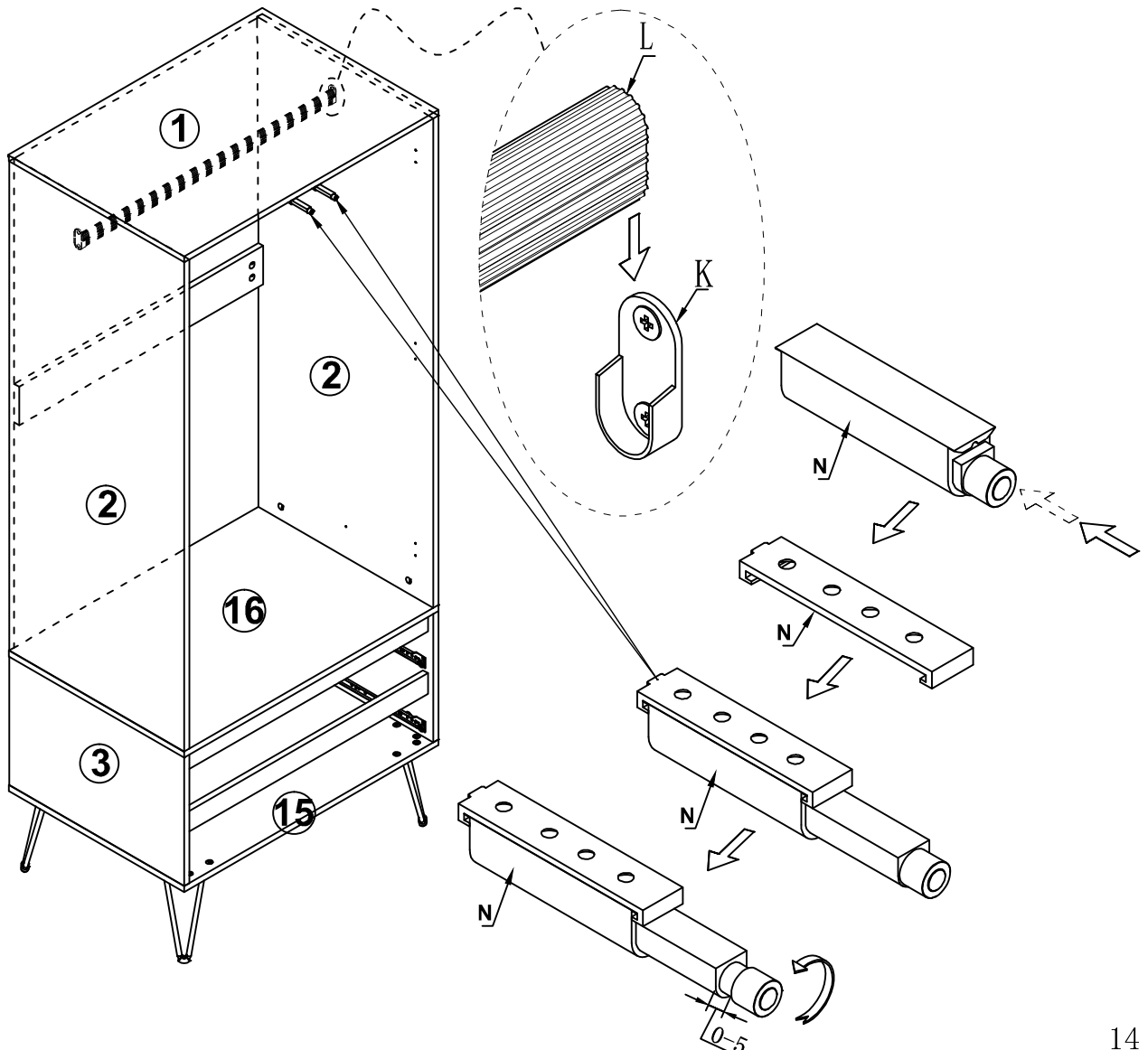
L=1

N=2



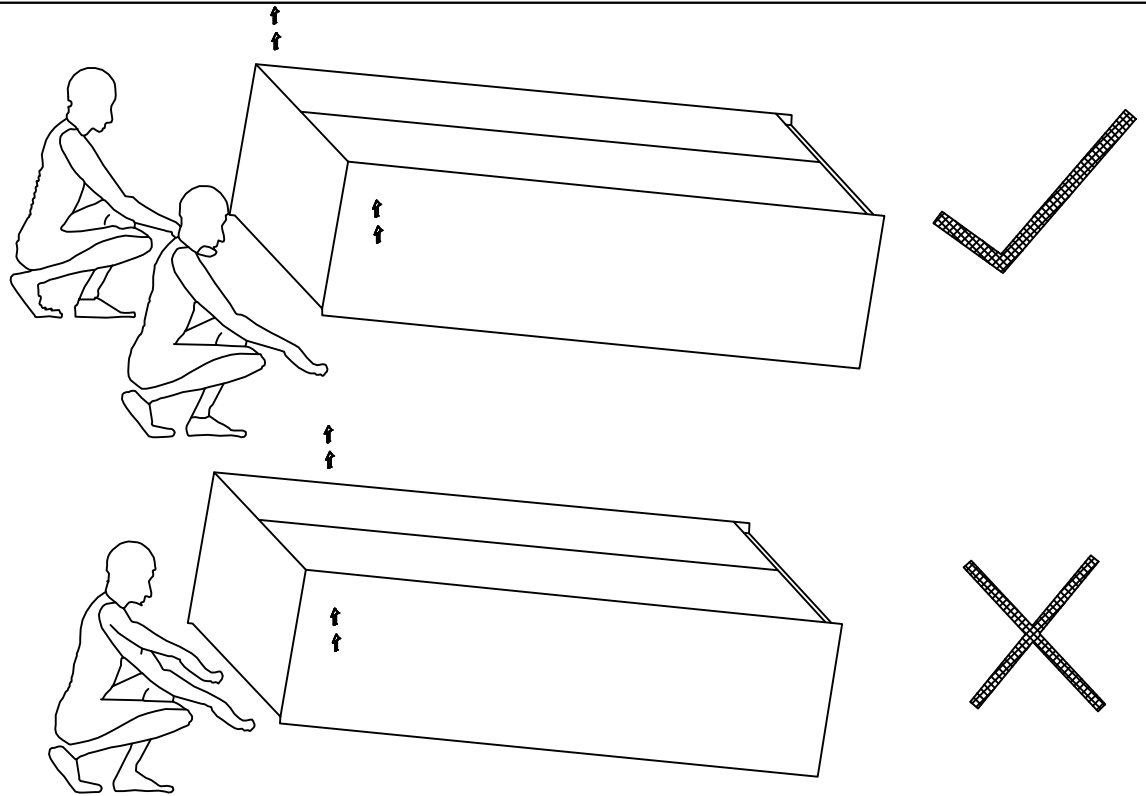
Clothes Bar

push-to-open mechanism



Assembly Instruction

Step 20

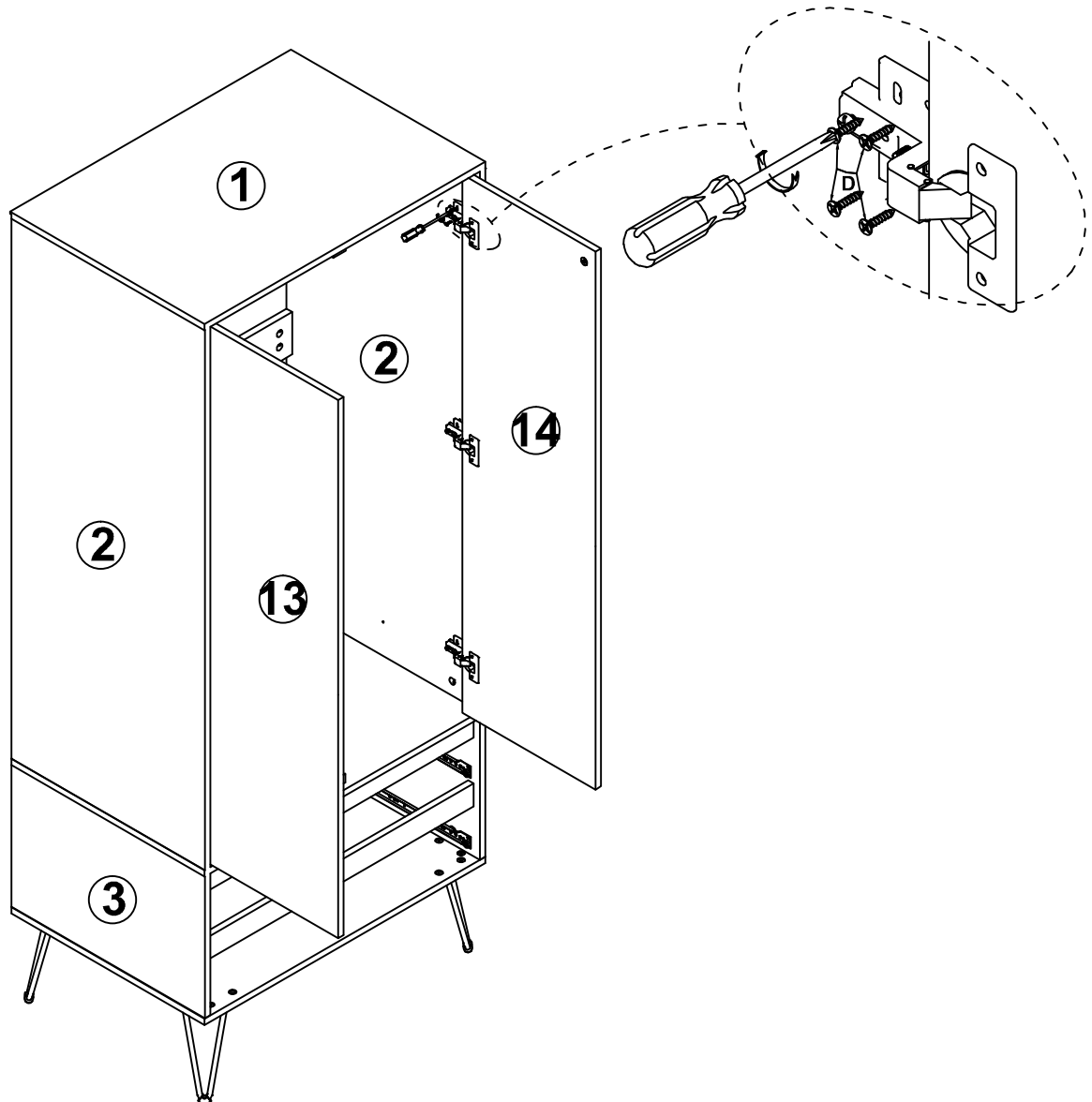


Step 21

D=24

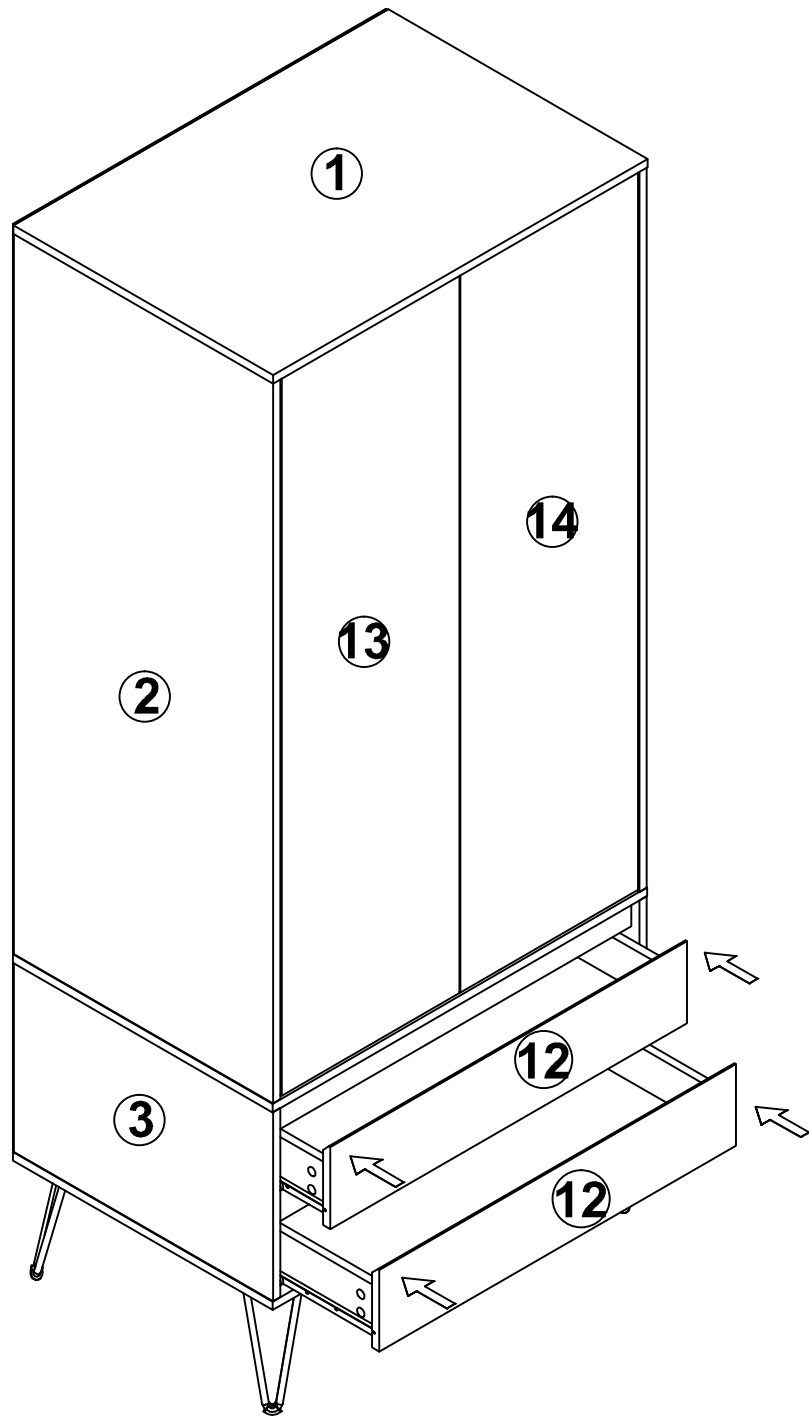


Screw
M3.5*14mm



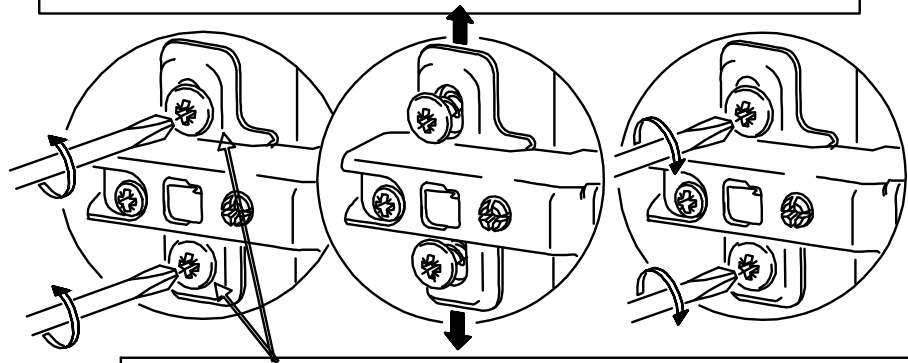
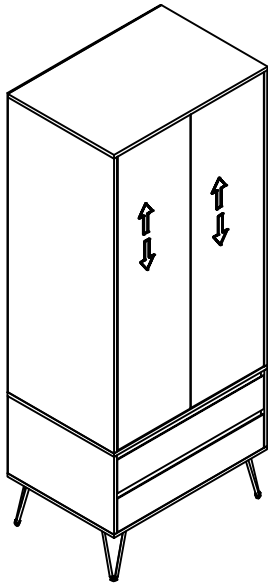
Assembly Instruction

Step 22

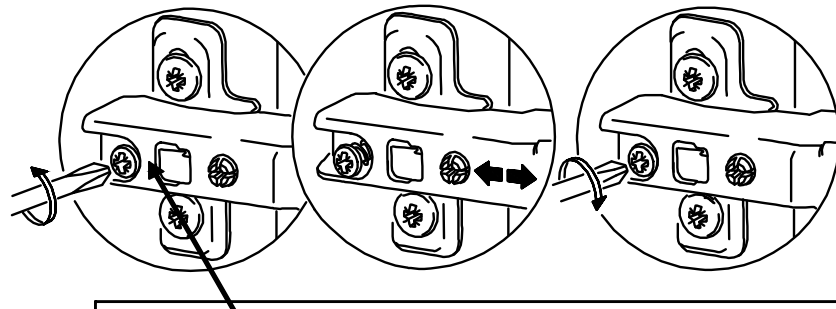
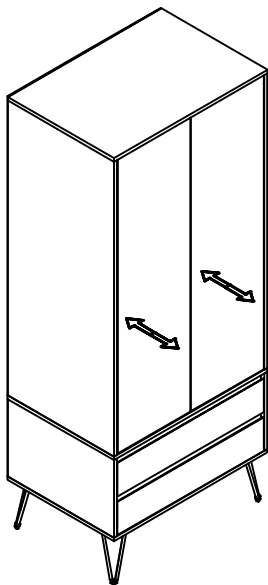




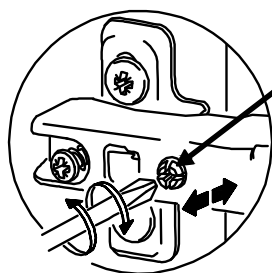
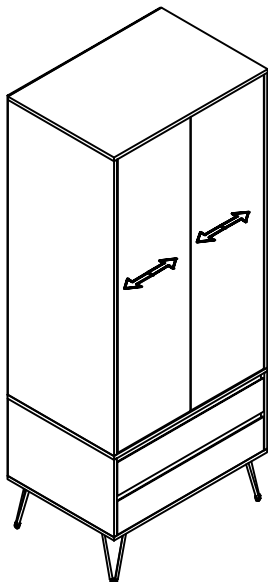
Customer Attention:
To Align Doors & Control Gap In Between Doors.
 Product doors may need adjusting during & after assembly or once wardrobe contains clothing.
 This can be done by adjusting appropriate screws.
 See below illustration.



Vertical Door Adjustment:
 Loosening both screws on all hinges and lift the door to desired height. This allows an even space at the top and bottom between door and wardrobe frame.



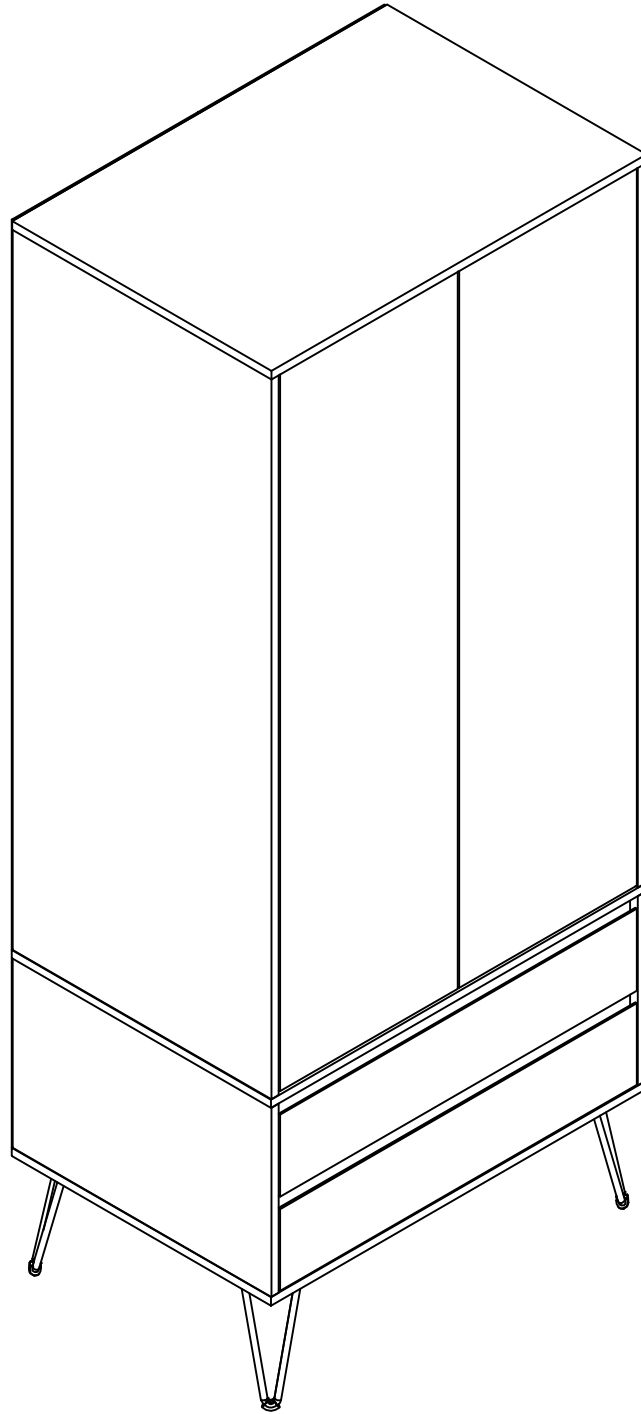
Lateral Door Adjustment:
 If door is hinge bound, (rubbing on frame as you close or open door) loosening screw shown and move the door in appropriate direction. (In or out)



Horizontal Door Adjustment:
 Rotate Screw clock wise or anti clockwise. This will produce an even gap between doors and frame.

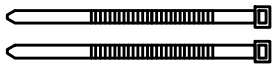
Assembly Instruction

Step 24



OK

P=1



Wall bracket

