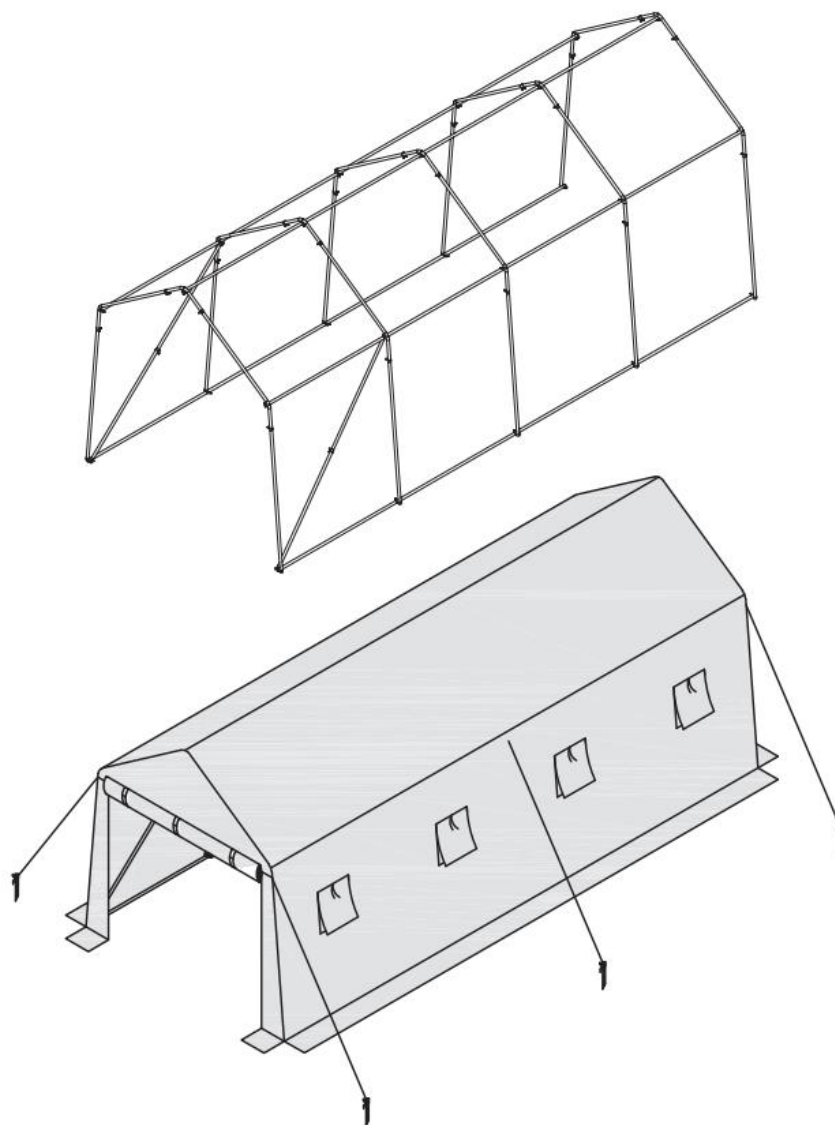


# Outdoor Transparent Walk-in-Tunnel Greenhouse with A-shaped Cover



## **INSTRUCTION MANUAL**

IF YOU PURCHASED THE OUTDOOR TRANSPARENT WALK-IN-TUNNEL  
GREENHOUSE WITH A-SHAPED COVER  
AND HAVE ANY


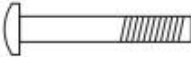




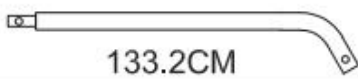









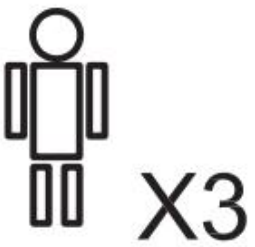


QUESTIONS OR CONCERNS  
PLEASE CONTACT US WITH EMAIL OR TEXT

**E-MAIL: [hiwarrantyservice@outlook.com](mailto:hiwarrantyservice@outlook.com)**

**TEXT: +1 628-263-4608**


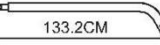
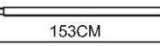
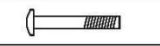

## IMPORTANT :

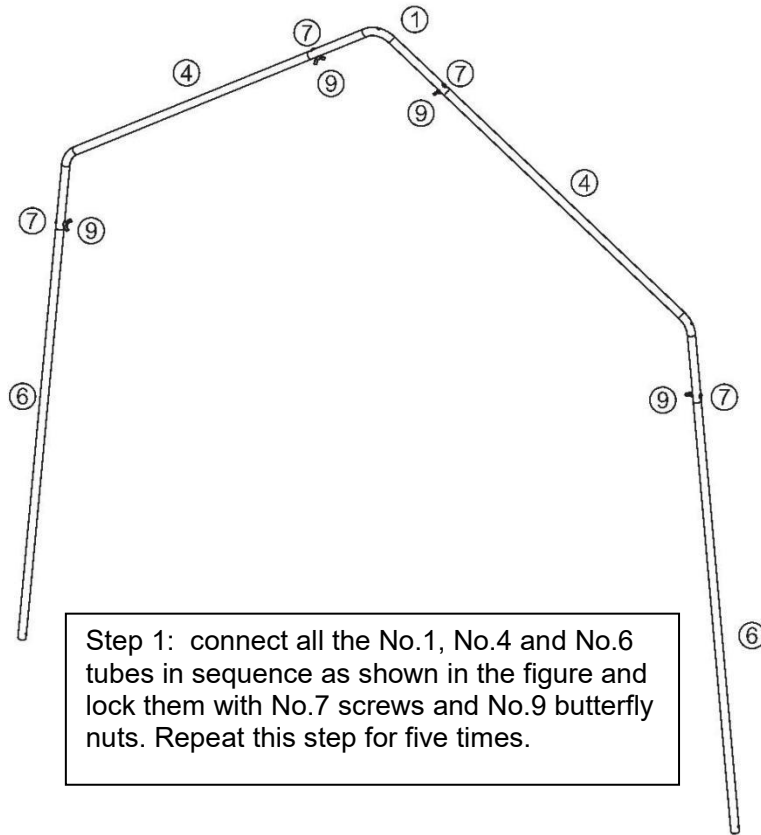
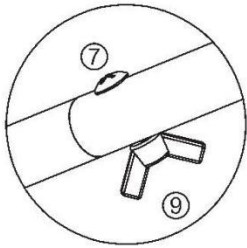
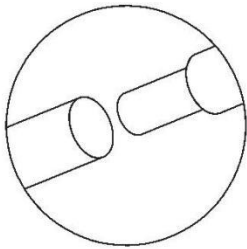
Please check that you have all of the parts before starting assembly. A full list of the parts is given below.

①	 54CM	5pcs	⑦		22pcs
②	 118.2CM	2pcs	⑧		25pcs
③	 118.2CM	2pcs	⑨		47pcs
④	 133.2CM	10pcs	⑩		10pcs
⑤	 153CM	5pcs	⑪		12pcs
⑥	 153CM	25pcs	⑫		8pcs
			⑬		6pcs
			⑭		6pcs
			⑮		1pc
					

## step:1

x5

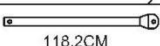
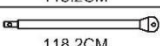
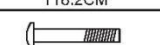

①		5pcs
④		10pcs
⑥		10pcs
⑦		20pcs
⑨		20pcs

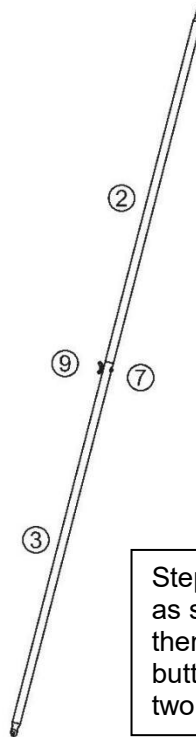
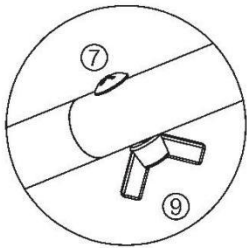
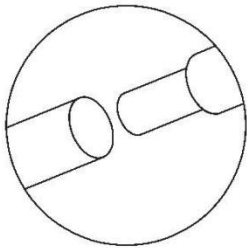


Step 1: connect all the No.1, No.4 and No.6 tubes in sequence as shown in the figure and lock them with No.7 screws and No.9 butterfly nuts. Repeat this step for five times.

## step:2

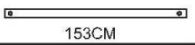

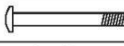

x2

②		2pcs
③		2pcs
⑦		2pcs
⑨		2pcs



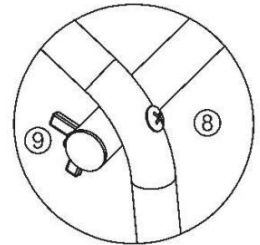
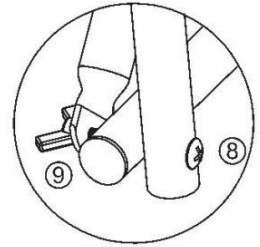
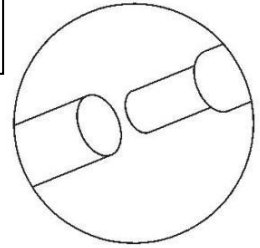
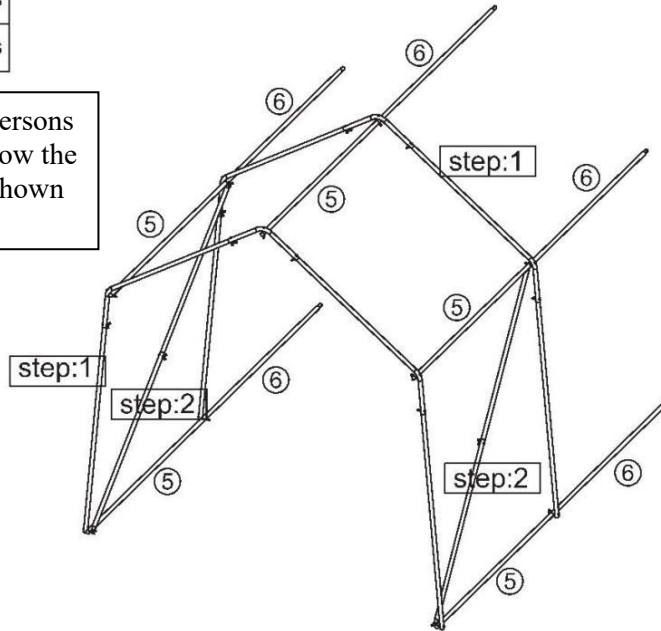
Step 2: connect No.2 and No.3 tubes as shown in the figure and then lock them with No.7 screws and No.9 butterfly nuts. Repeat this step for two times.

### step:3

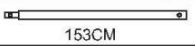
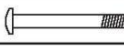

⑤		5pcs
⑥		5pcs
⑧		10pcs
⑨		10pcs

Step 3: connect No.5 tubes with (1,4,6) combination units and then connect (2,3) combination units with (1,4,6) combination units. Lock them with No.8 screws and No. 9 butterfly nuts. Next, insert No.6 tubes into No.5 tubes and lock them with No.8 screws and No. 9 butterfly nuts.

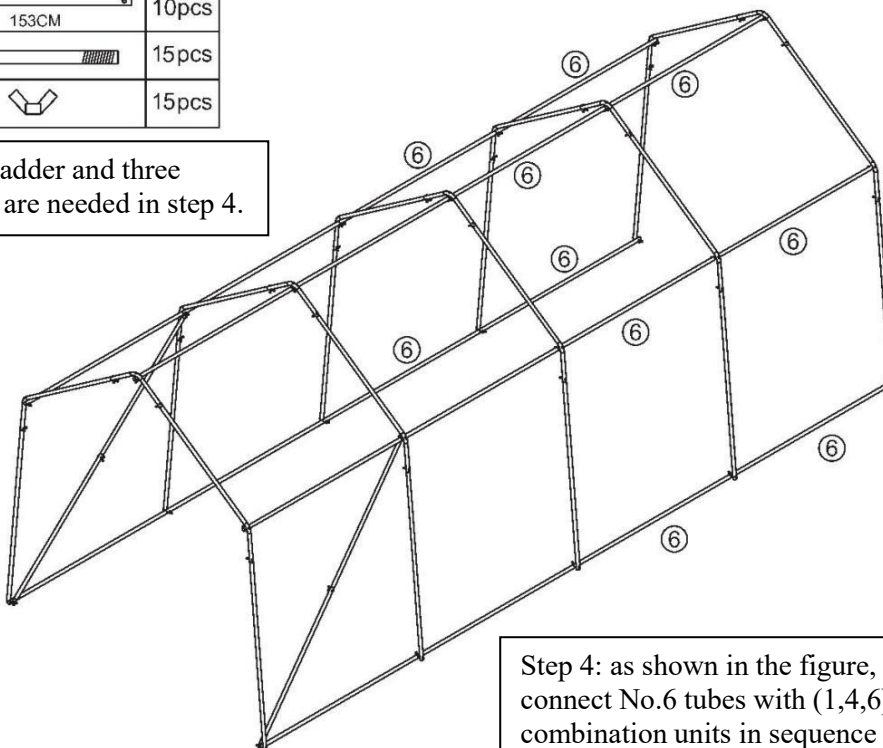
Tip: A ladder and three persons are needed in step 3. Follow the installation sequence as shown in the figure.



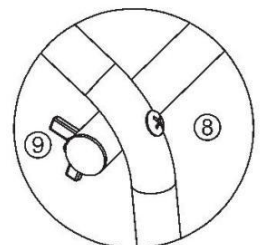
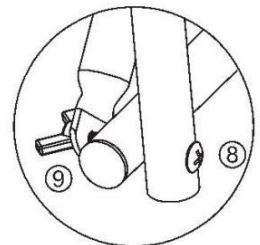
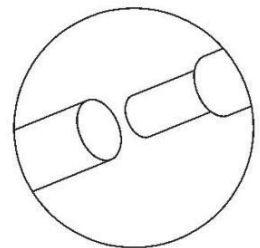
### step:4

⑥		10pcs
⑧		15pcs
⑨		15pcs

Tip: A ladder and three persons are needed in step 4.



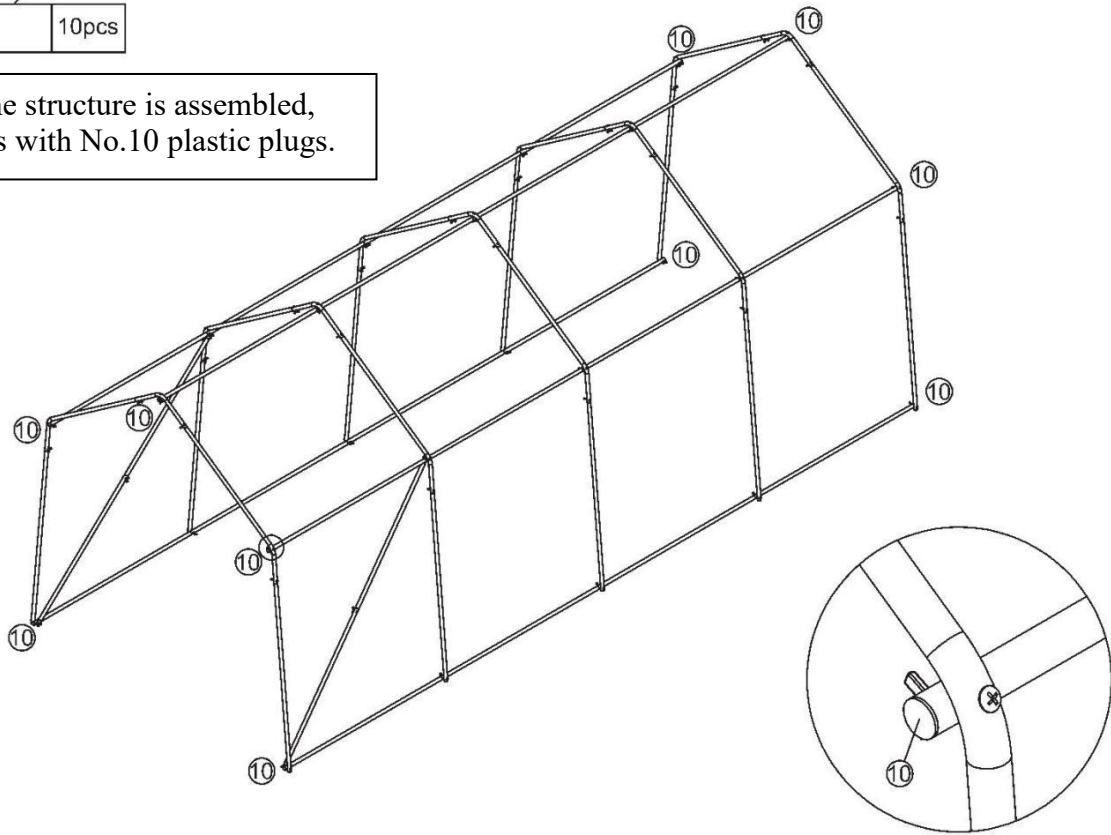
Step 4: as shown in the figure, connect No.6 tubes with (1,4,6) combination units in sequence like step 3 and lock them with No.8 screws and No.9 butterfly nuts.



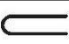
## step:5

⑩  10pcs

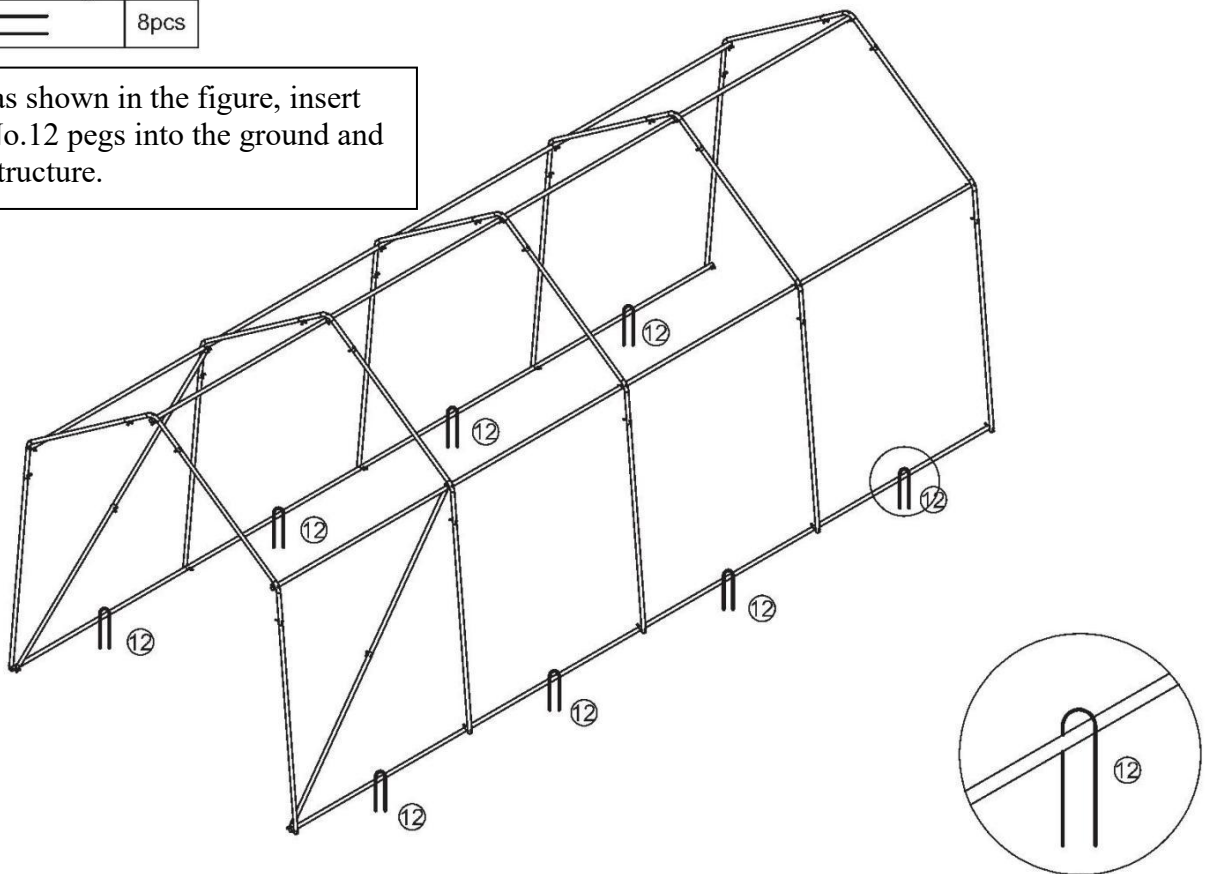
Step 5: after the structure is assembled, block the tubes with No.10 plastic plugs.



## step:6

⑫  8pcs

Step 6: as shown in the figure, insert all the No.12 pegs into the ground and fix the structure.

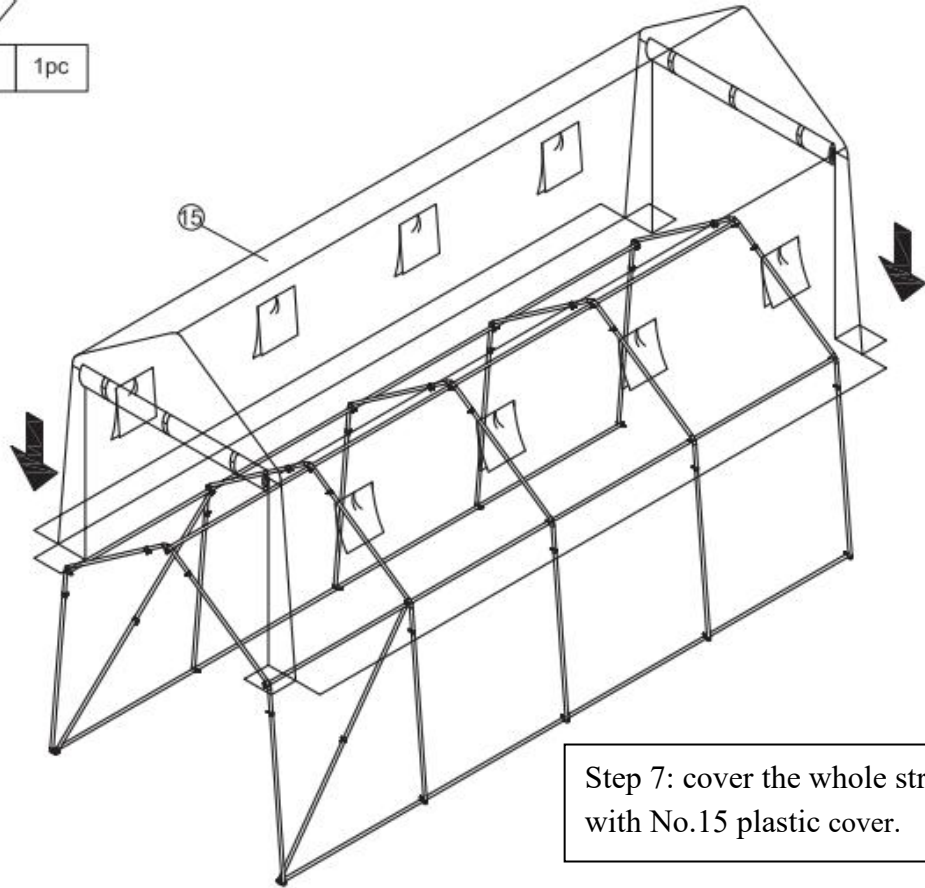


## step:7

15



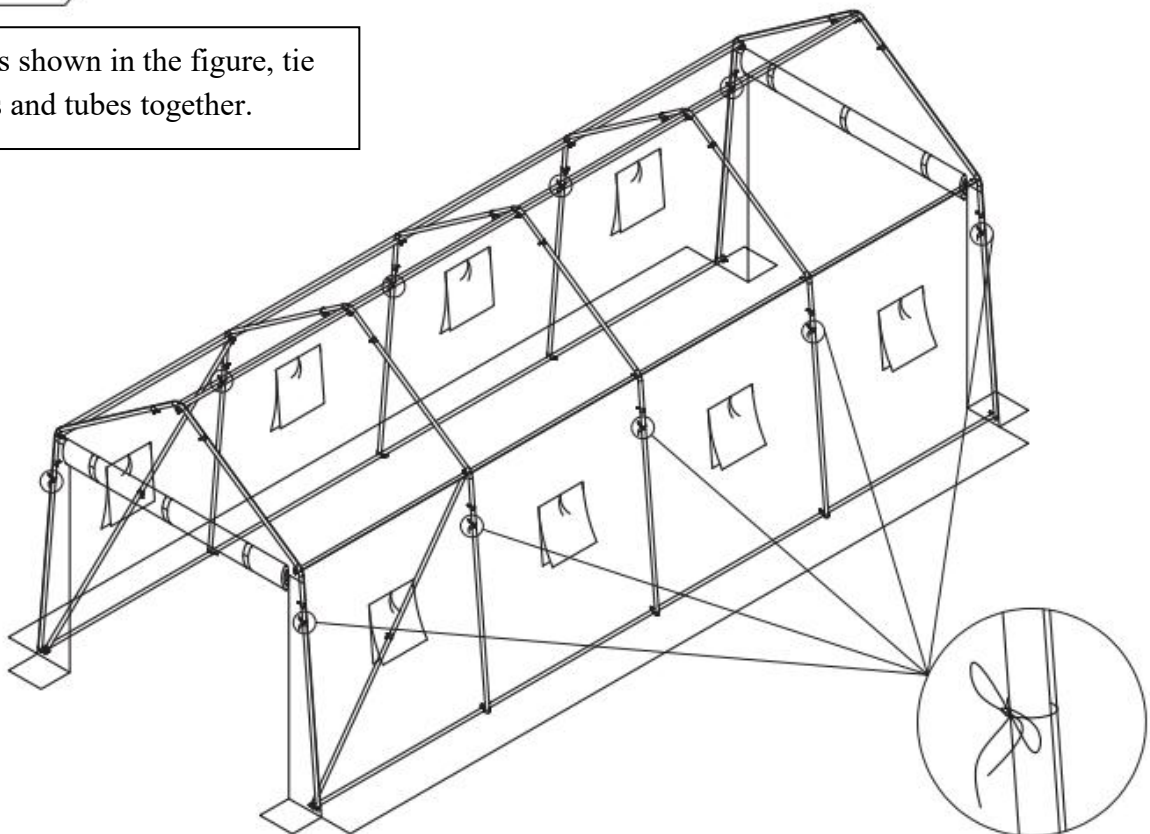
1pc



Step 7: cover the whole structure with No.15 plastic cover.

## step:8

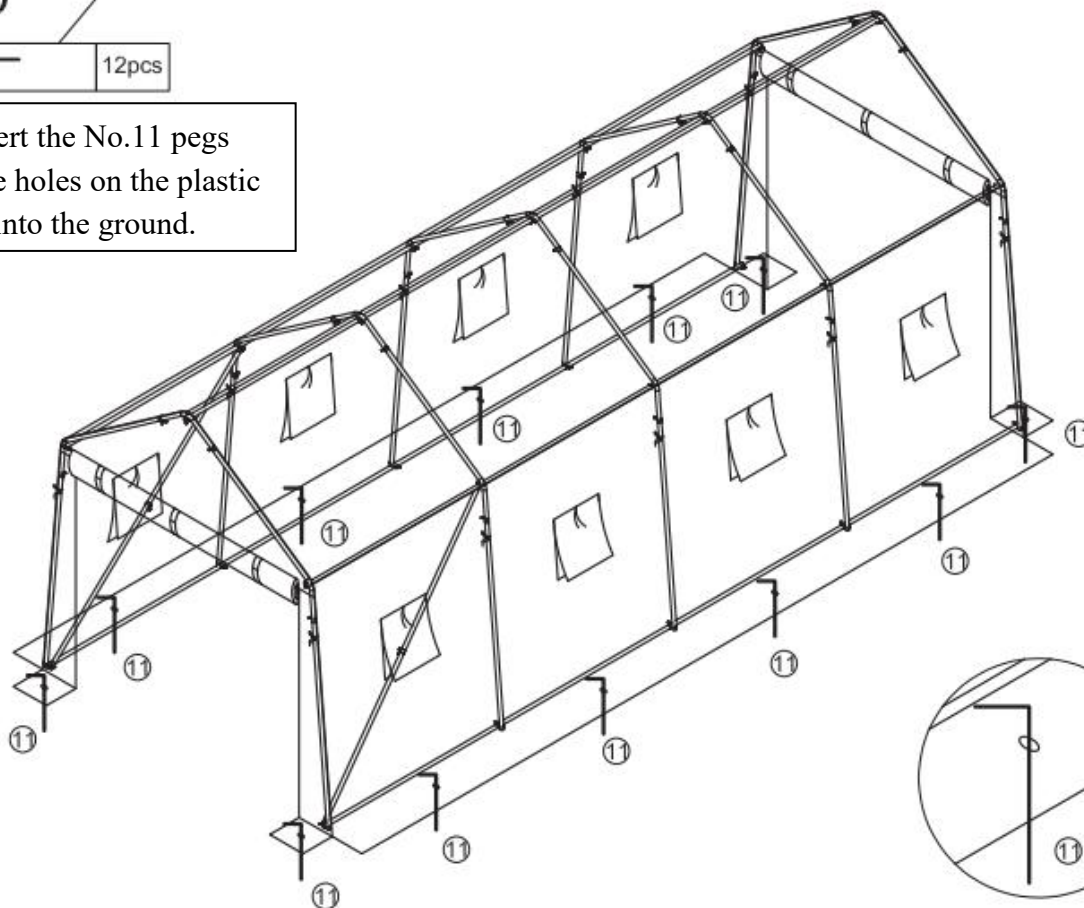
Step 8: as shown in the figure, tie the ropes and tubes together.



## step:9

① 12pcs

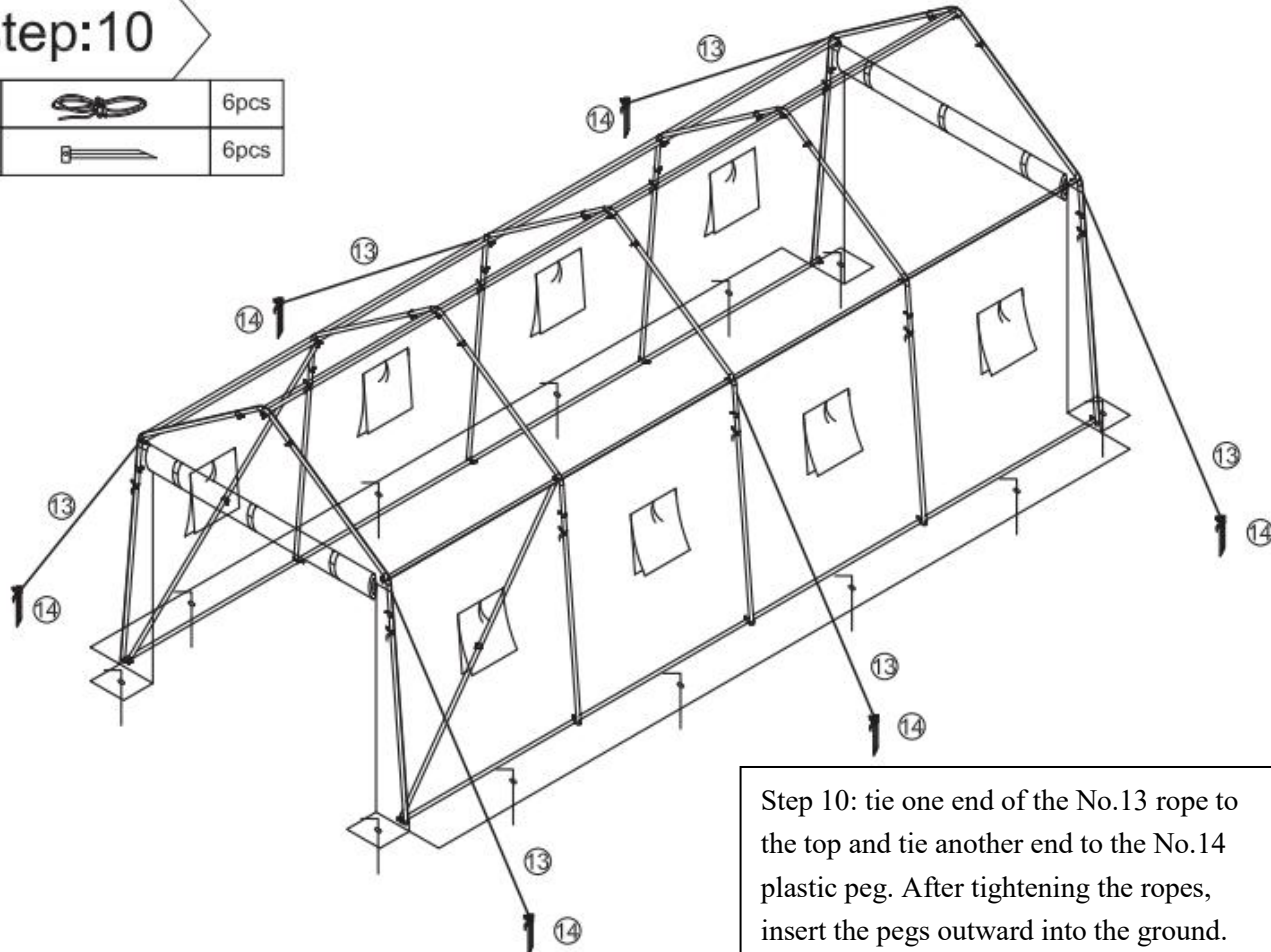
Step 9: insert the No.11 pegs through the holes on the plastic cover and into the ground.



## step:10

⑬ 6pcs

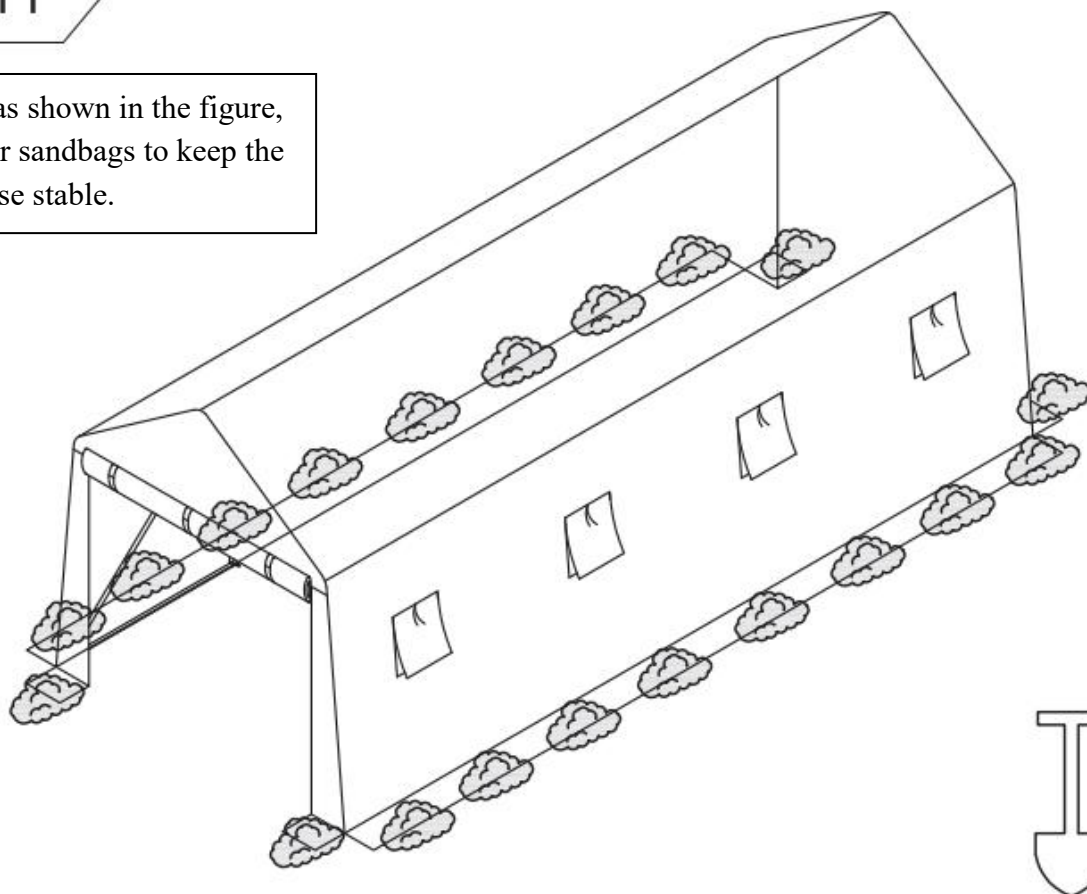
⑭ 6pcs



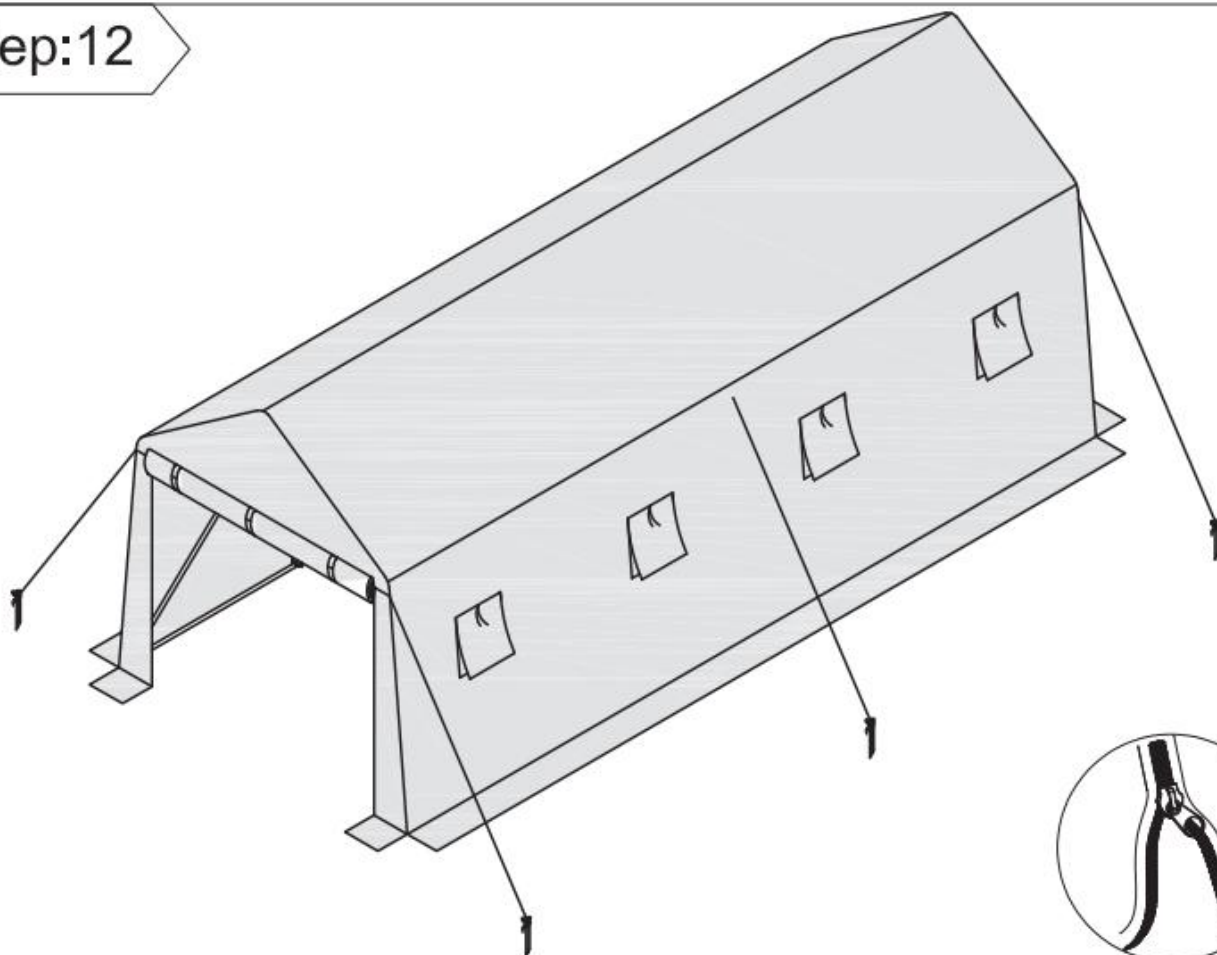
Step 10: tie one end of the No.13 rope to the top and tie another end to the No.14 plastic peg. After tightening the ropes, insert the pegs outward into the ground.

## step:11

Step 11: as shown in the figure, use soil or sandbags to keep the greenhouse stable.



## step:12



**Installation Note:**

- Assembly of the greenhouse is easier by two people.
- Assemble the greenhouse on a dry and level surface.
- Count the metal rods and plastic connectors before you start to assemble the greenhouse.
- When connecting rods with connectors, make sure all the rods are fully pushed in.
- If you use a rubber mallet to help with assembly, be sure not to damage parts by using excessive force.
- Once the frame is assembled, all corners should be pegged down to ensure the stability of the structure.
- The Greenhouse is better installed in an area protected against fierce winds and heavy rains.

**Attention:**

The following situations are not under warranty except issues of faulty materials and workmanship:

- The cover is tore due to incorrect frame assembly or being fixed excessively onto the frame.
- Pour too much water on the cover, which will make the frame or even the whole structure collapse.
- The greenhouse poles or plastic connectors are broken due to fierce winds or incorrect assembly.
- Mostly covers and zippers are broken for the reasons of excessive force or extreme weathers.