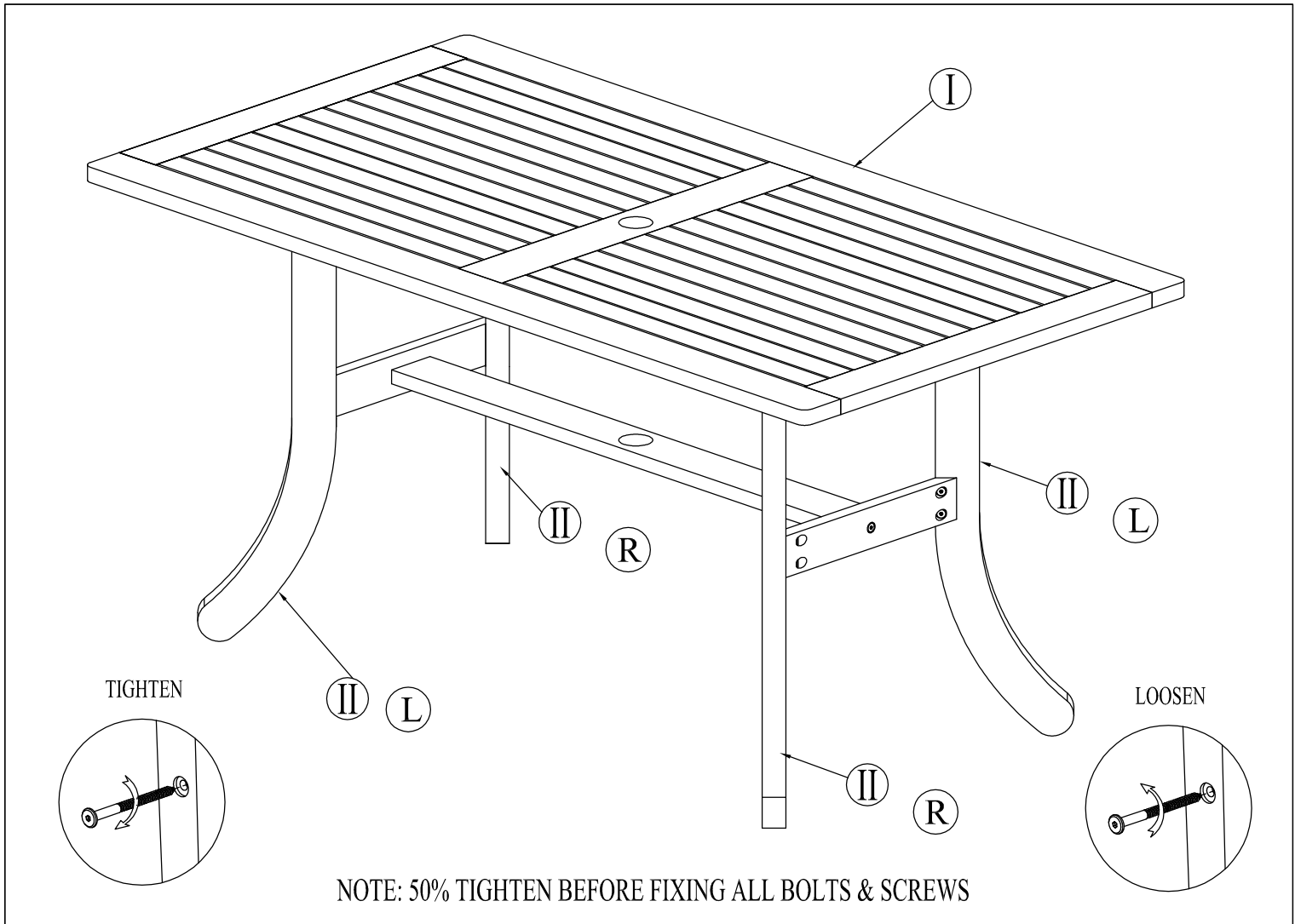
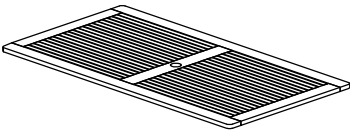
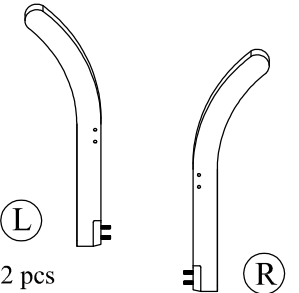
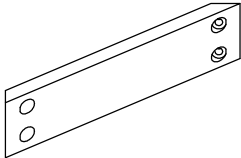
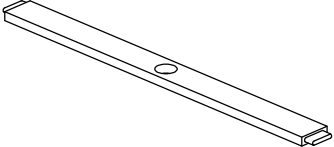


Weight capacity : 75 kgs/ 165 Lbs




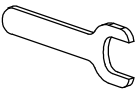






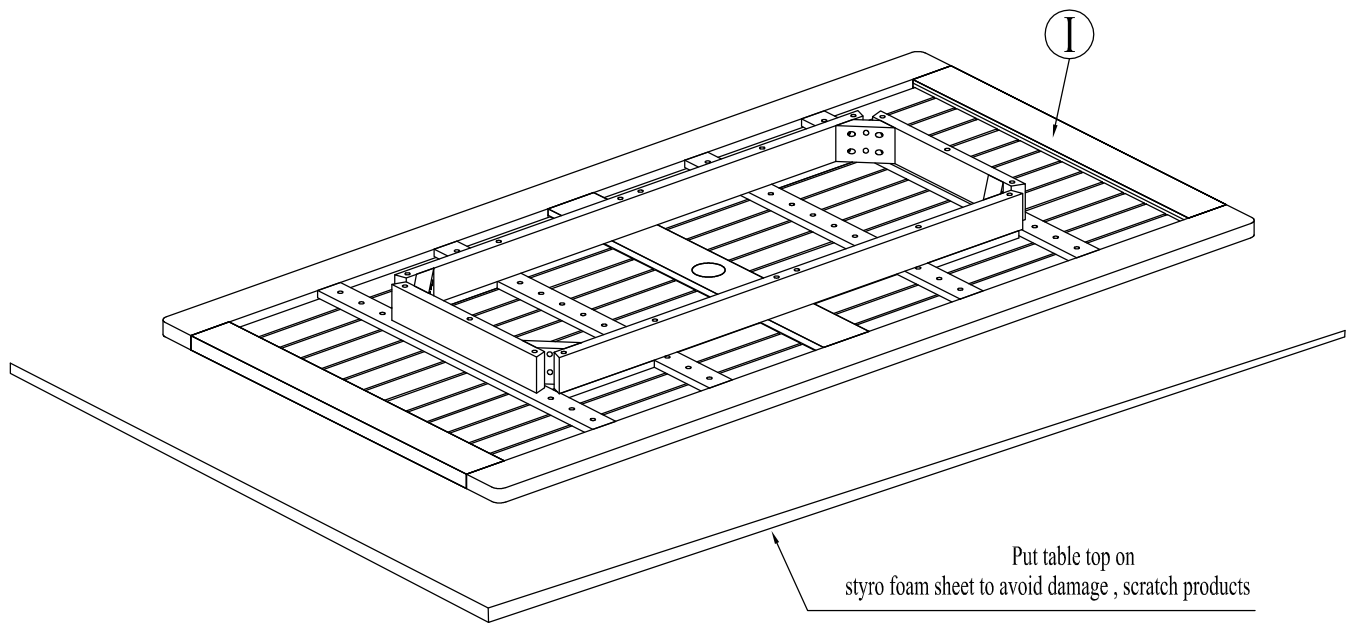
COMPONENTS LIST

 <p>Q'TY 1</p>	 <p>2 pcs</p> <p>Q'TY 4</p>	 <p>Q'TY 2</p>	 <p>Q'TY 1</p>
--	--	--	---

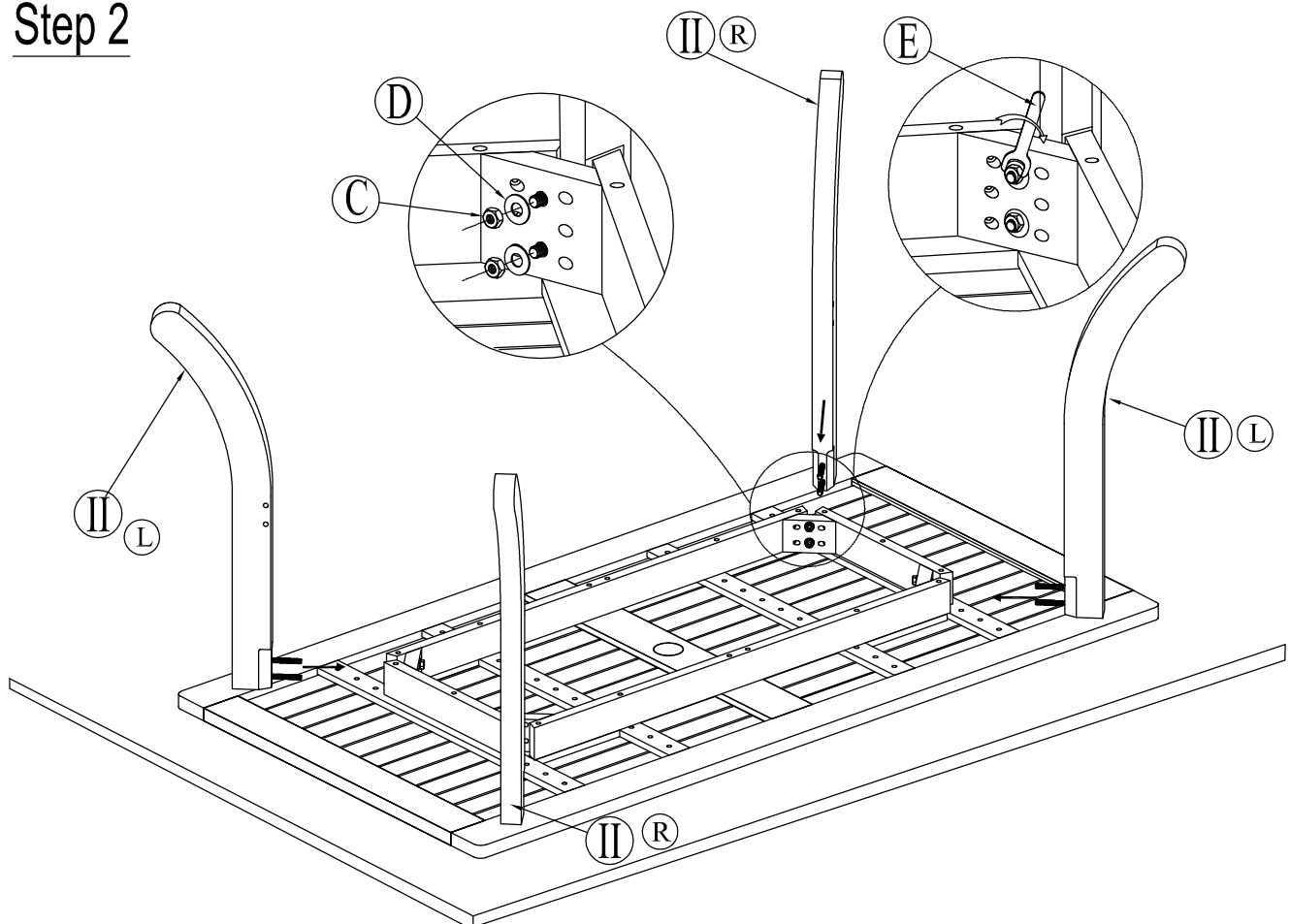
HARDWARE LIST

A		2	Screw 7 x 60	D		8	Washer
B		8	Screw 7 x 40	E		1	Spanner
C		8	Nut M8	F		2	Allen Key

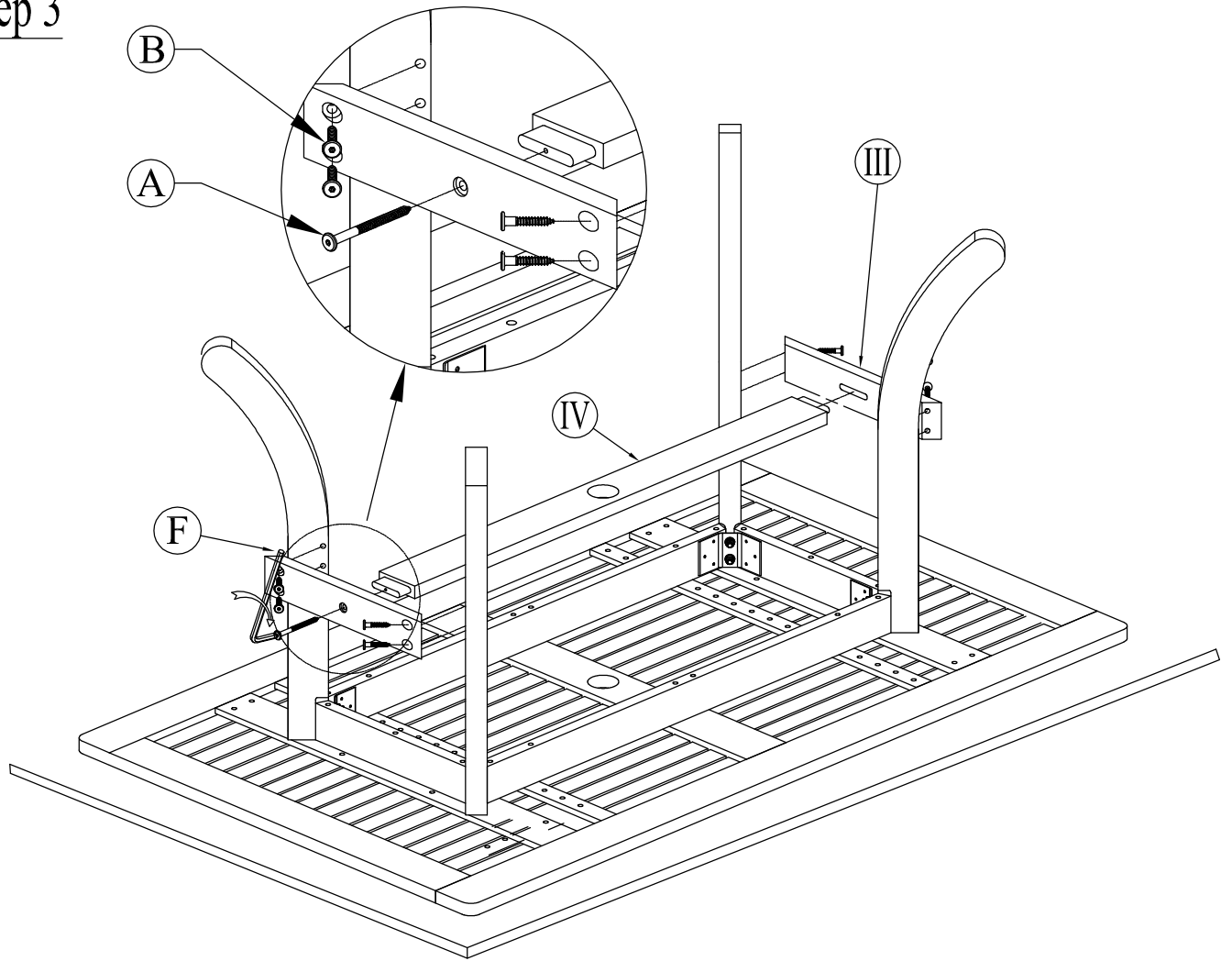
Step 1



Step 2



Step 3



Step 4

