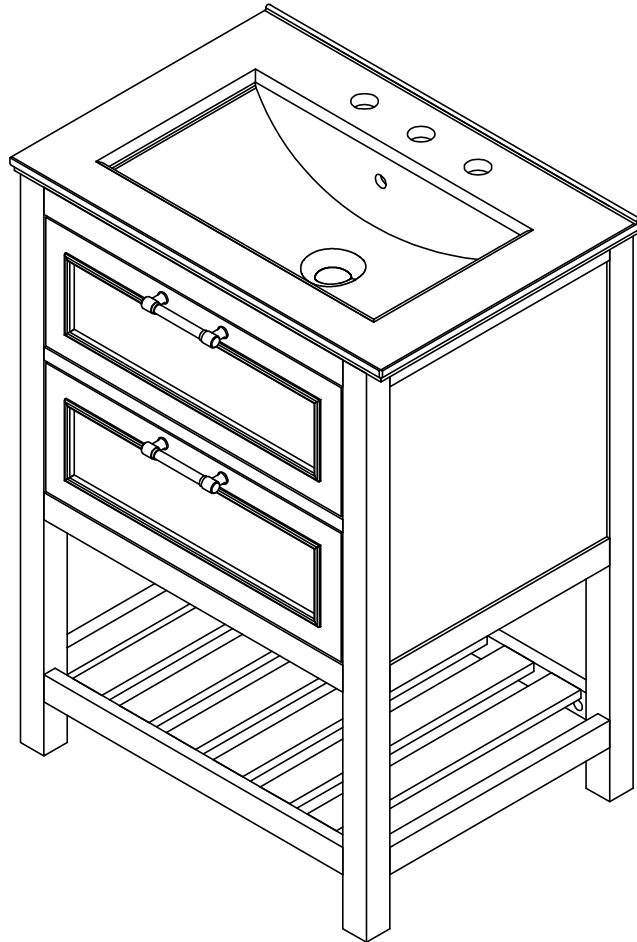


ASSEMBLY INSTRUCTIONS


BATH VANITY-CABINET

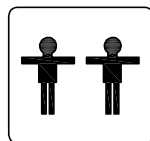
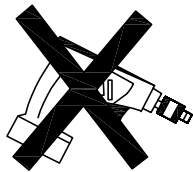


Thank you for purchasing this quality product. Be sure to check all packing material carefully for small parts which may have come loose inside the carton during shipment. Separate, identify and count all parts and hardware.

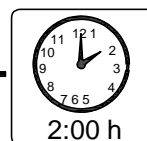
Compare with the parts list to be sure all parts are present.

DO NOT TIGHTEN SCREWS UNTIL COMPLETELY ASSEMBLED

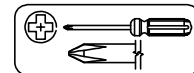

*Use of power tool to assemble this product will invalidate any claim and damage this product making unsafe!!!
* Please assemble on a clean soft surface to avoid damage.



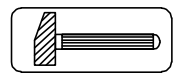
+



Tools Required



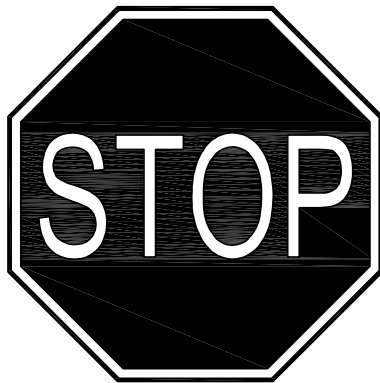
(Not included)



(Not included)

IMPORTANT:
PLEASE READ INSTRUCTION BEFORE STARTING THE ASSEMBLY

PLEASE DO NOT RETURN TO STORE



**Please do not return this product to the retailer!!
We are able to assist you in ANY way**

If you find that you have any trouble with assembly or missing or damaged parts please contact the seller.

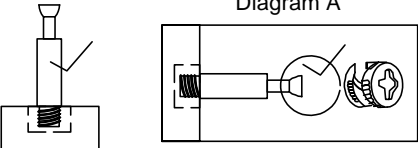
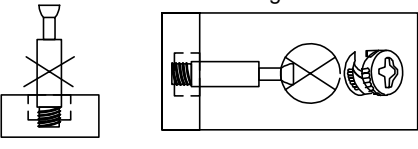
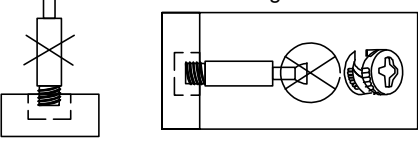
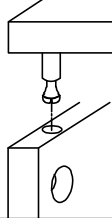
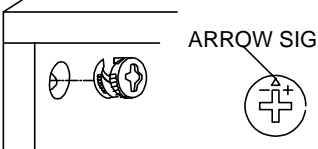
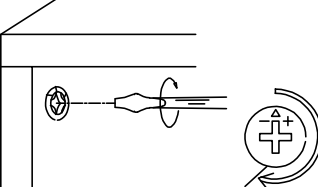
Before Installation

Important: Please read these instructions fully before starting assembly

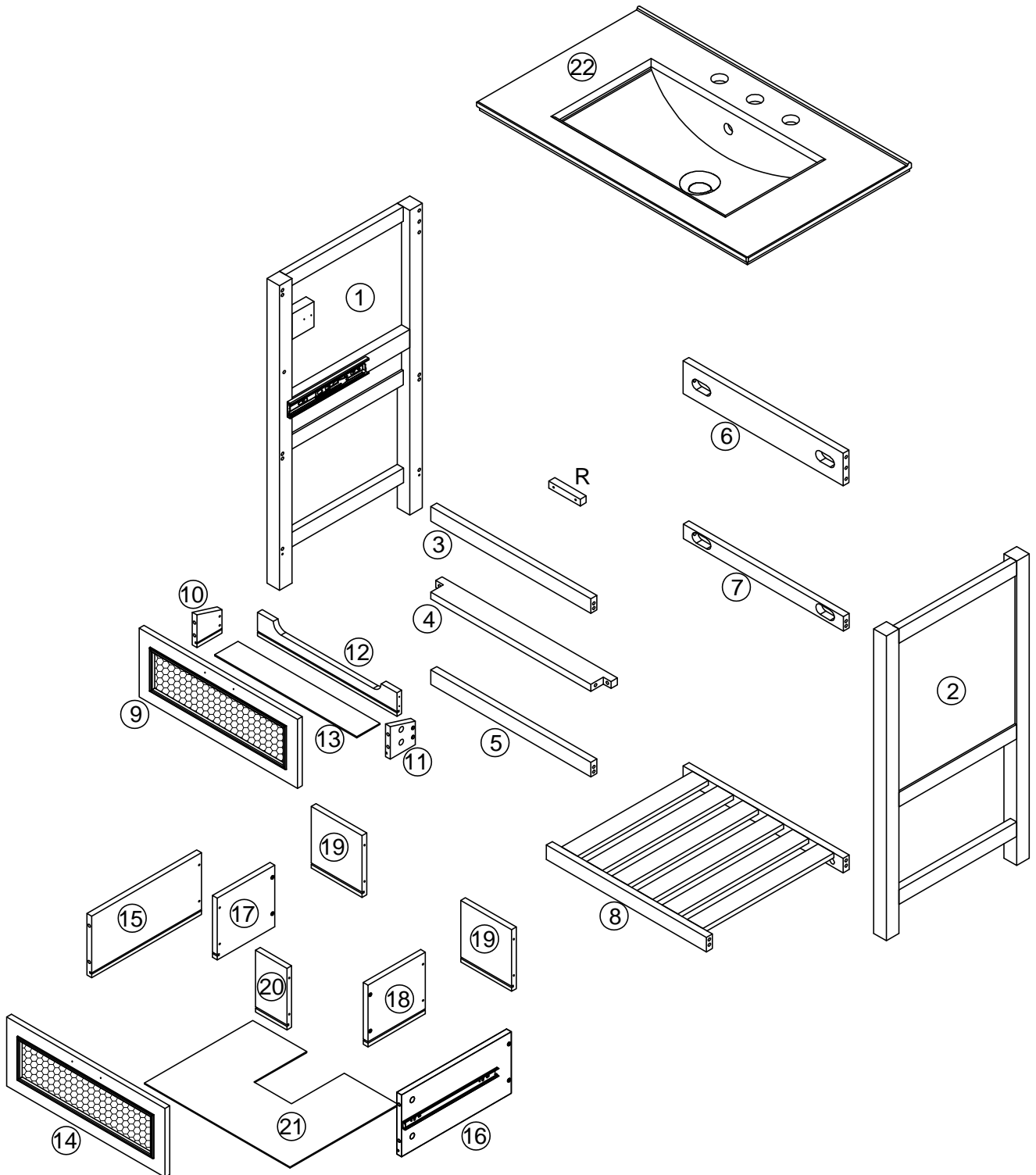
Thank you for purchasing this quality product. Be sure to check all packing materials carefully for small parts, which may have come loose inside the carton during shipment. Identify and count all items according to the PARTS LIST and/or HARDWARE LIST shown below. Check you have all the components and tools listed on the following pages.

- We recommend that you assemble this product with the assistance of another person; this will make the assembly easier, and will help eliminate damage to the product or injury to persons during assembly.
- Please do not over tighten screws or bolts until the assembly is completed.
- Keep children and animal away from the work area, small parts could choke if swallowed.
- Please put all parts on a non-abrasive floor before assembly, and follow the assembly steps to assemble your newly purchased product correctly and efficiently.

Cam Lock Assembly Instructions

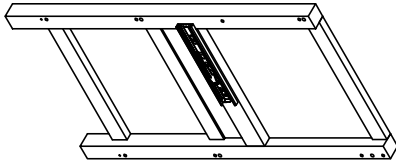
	<p>Diagram A</p> <p>Insert Cam Ball into hole as shown in diagram A.</p>
	<p>Diagram B</p> <p>Make sure not to insert the Cam Bolt: Too deep as shown in figure B as this will cause the cam Lock to be misaligned and unable to interlock properly.</p>
	<p>Diagram C</p> <p>Also avoid inserting the Cam Bolt too close to the surface of the hole as shown in figure C, as this will cause the Cam Lock to be too loose, and not interlock properly.</p>
	<p>Connect the panels together.</p>
	<p>ARROW SIGN</p> <p>Insert the Cam Lock so the side opening fits over the head of the Cam Bolt.</p>
	<p>To tighten the Cam Lock, turn it clockwise on half a turn with a flat screwdriver. <i>*Do not use an automatic screwdriver as it may bend or break if too much power is imposed.</i></p>

Detail View



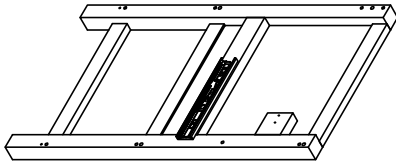
Part Lists

1



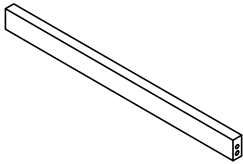
Side Panel (L) - 1pc

2



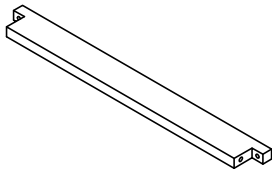
Side Panel (R) - 1pc

3



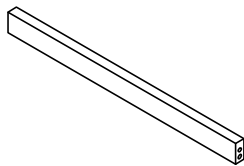
Front Crossbar Top - 1pc

4



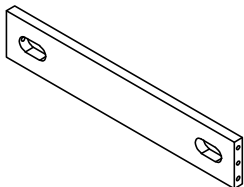
Front Crossbar Mid - 1pc

5



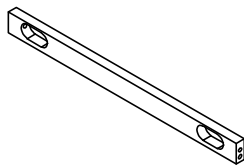
Front Crossbar Mid - 1pc

6



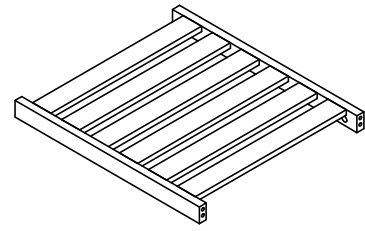
Rear Crossbar Top - 1pc

7



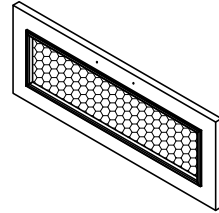
Rear Crossbar Mid - 1pc

8



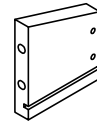
Frame Bottom - 1pc

9



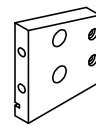
Top Drawer Front - 1pc

10



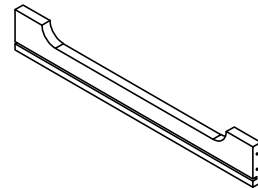
Top Drawer Panel Side 1 (L) - 1pc

11



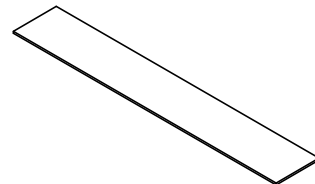
Top Drawer Panel Side 1 (R) - 1pc

12



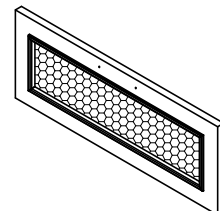
Top Drawer Back - 1pc

13



Panel Bottom 1- 1pc

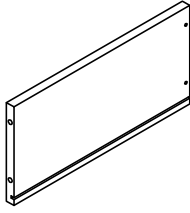
14



Bottom Drawer Front - 1pc

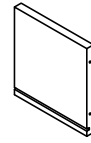
Part Lists

15



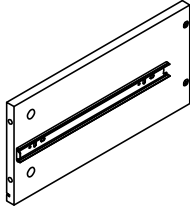
Bottom Drawer Panel Side 2 (L) - 1pc

19



Bottom Drawer Panel Rear 2- 2pc

16



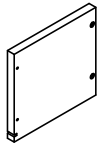
Bottom Drawer Panel Side 2 (R) - 1pc

20



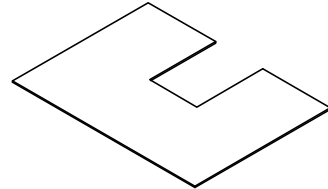
Bottom Drawer Panel Rear 3- 1pc

17



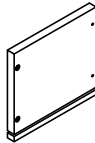
Bottom Drawer Panel Side 3 (L) - 1pc

21



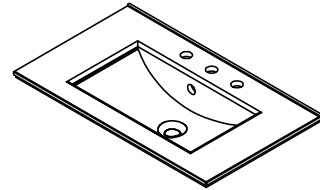
Panel Bottom 2- 1pc

18



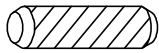
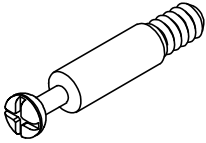


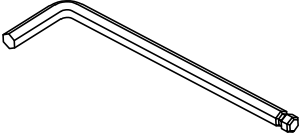
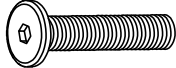
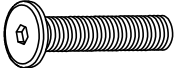
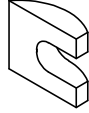
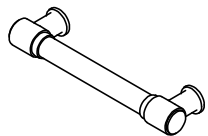

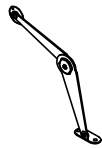


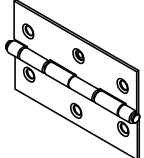
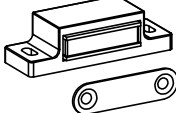
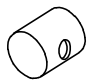
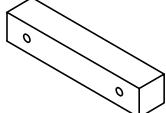

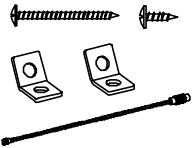
Bottom Drawer Panel Side 3 (R) - 1pc

22

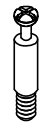


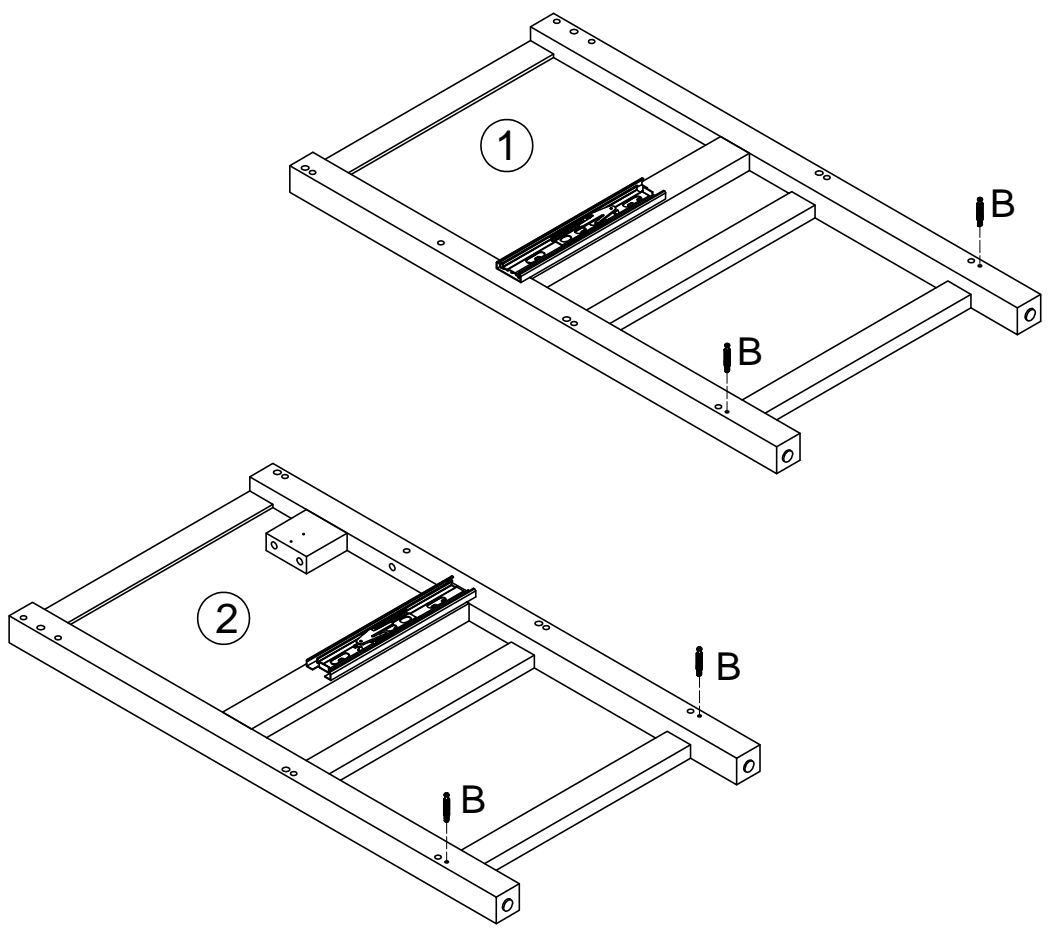
Lavabo - 1pc

Hardware Lists


<p>A</p>  <p>Ø8*20mm Wood dowel (12pcs)</p>	<p>B</p>  <p>Ø6*32mm Three in one bolts (12pcs)</p>	<p>C</p>  <p>Ø14.5*9.5mm Three in one locks (12pcs)</p>
<p>D</p>  <p>Ø8xØ4*35mm Round head screw (12pcs)</p>	<p>E</p>  <p>K4mm Allen key (1pc)</p>	<p>F</p>  <p>M6 x 30mm Head bolt (2pcs)</p>
<p>G</p>  <p>M6 x 45mm Head bolt (8pcs)</p>	<p>H</p>  <p>Washer (8pcs)</p>	<p>J</p>  <p>Handle(2pcs)</p>
<p>K</p>  <p>Ø5/32*20mm Handle screw (4pcs)</p>	<p>L</p>  <p>Lid Support (1pc)</p>	<p>M</p>  <p>Ø8xØ3.5*12mm Flat head screw (4pcs)</p>
<p>N</p>  <p>Ø8xØ3.5*15mm Flat head screw (14pcs)</p>	<p>O</p>  <p>Shelf Pin (2pcs)</p>	<p>P</p>  <p>45*12*1mm 45*17*14mm Plastic Door Magnet (1set)</p>
<p>Q</p>  <p>Ø10x10mm Plastic Canopy (12pcs)</p>	<p>R</p>  <p>Support piece (1pc)</p>	<p>S</p>  <p>Ø8xØ4*25mm Round head screw (2pcs)</p>
<p>T</p>  <p>Anti fall Hardware (2sets)</p>		

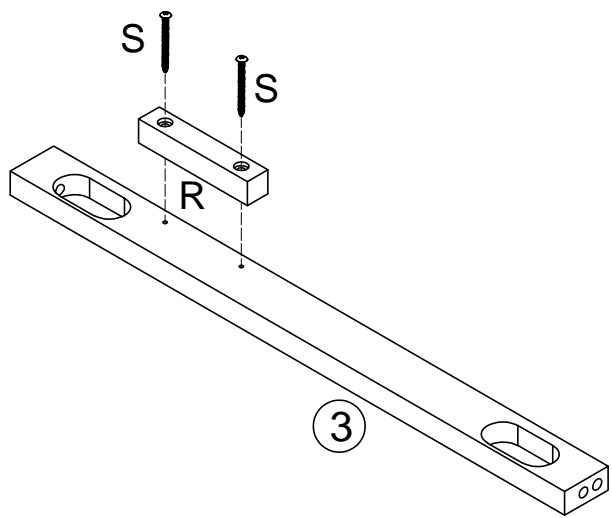
STEP: 1

B

4PCS

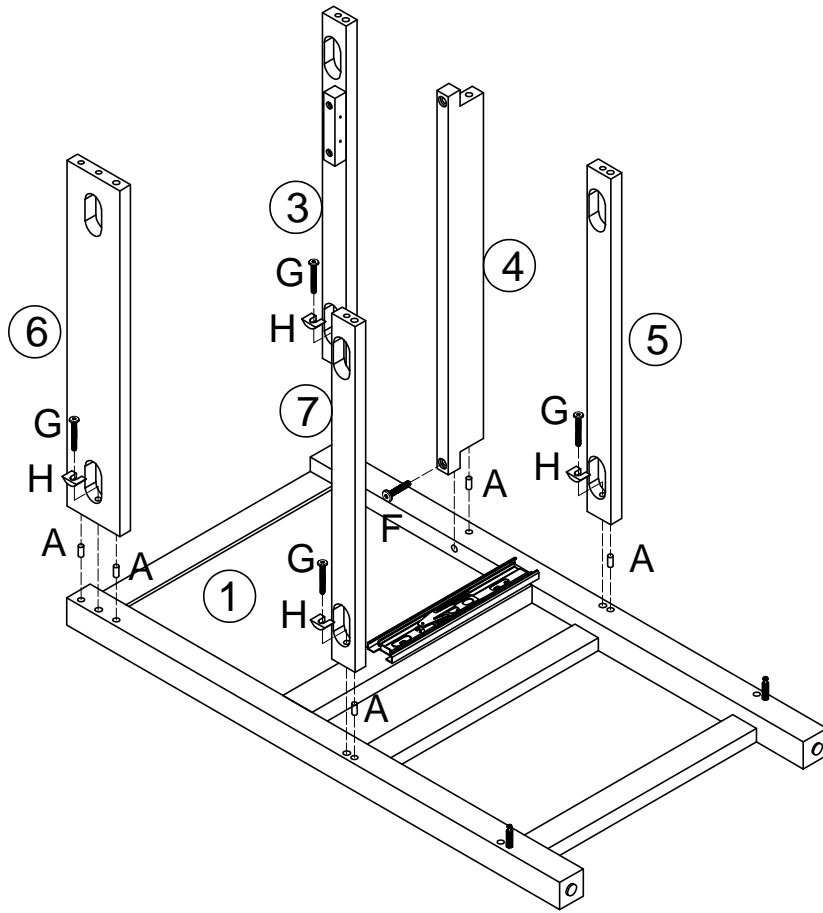


STEP: 2

S

2PCS

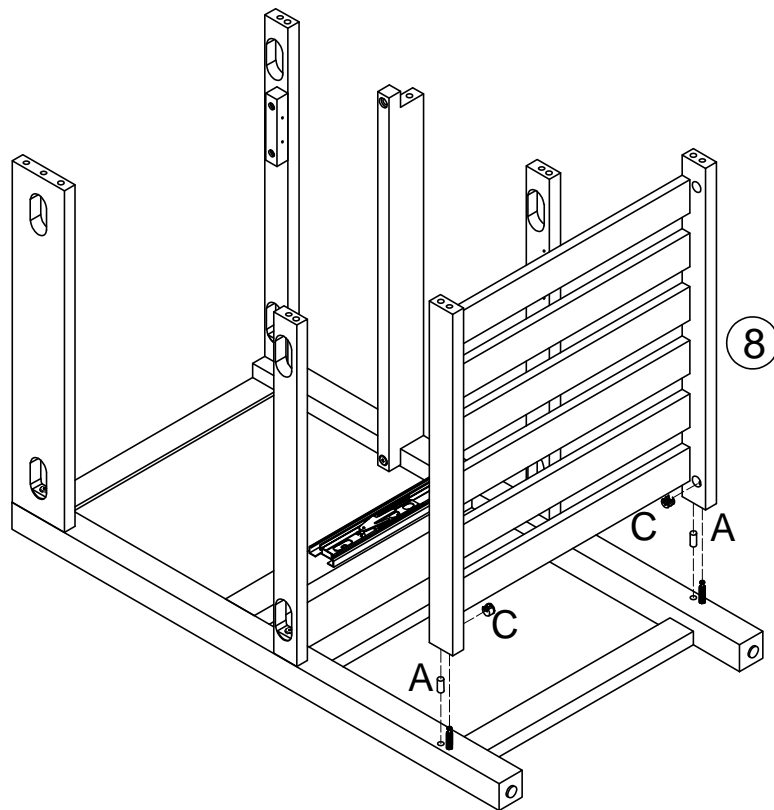


STEP: 3



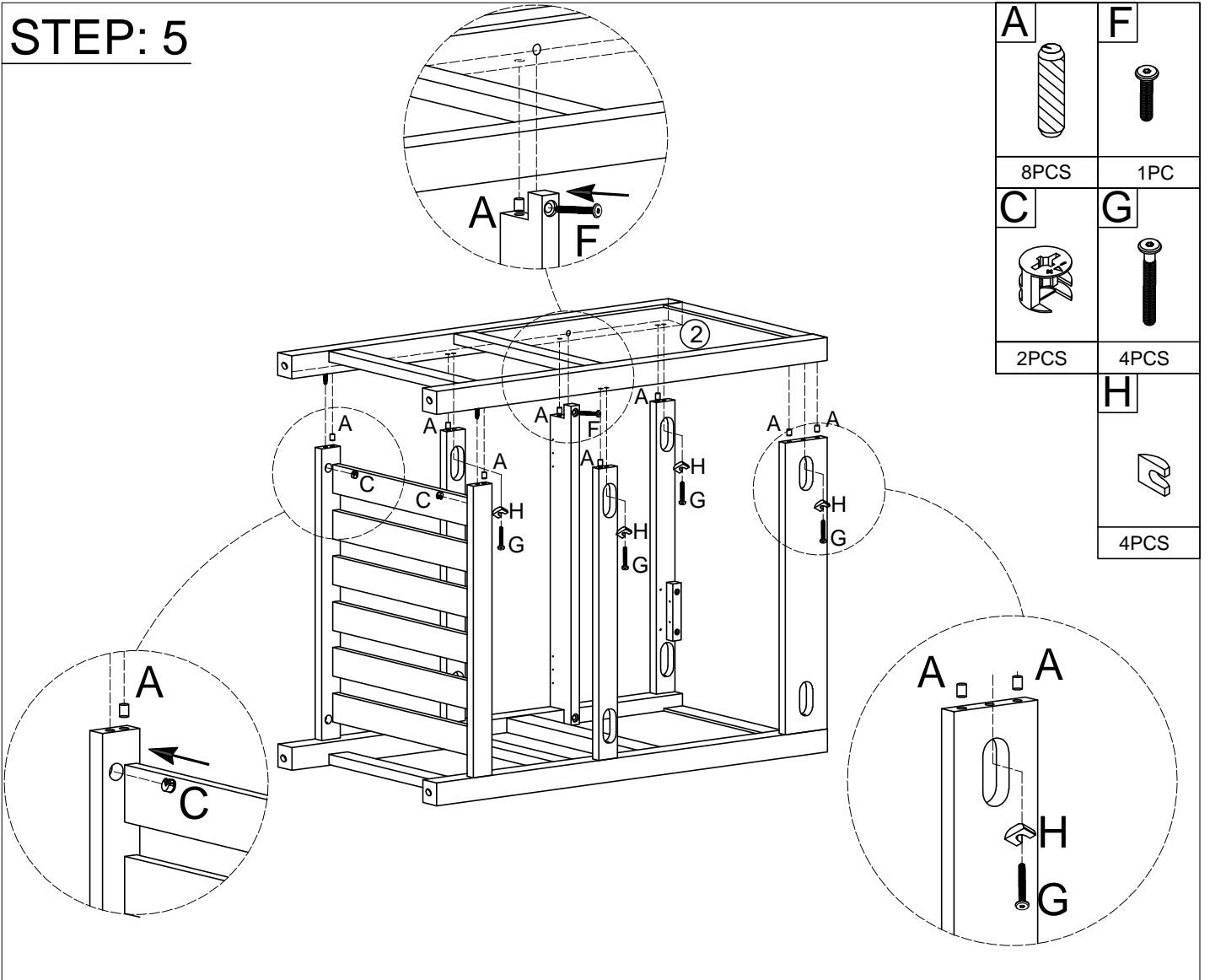
A	
	6PCS
F	
	1PC
G	
	4PCS
H	
	4PCS




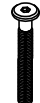

STEP: 4



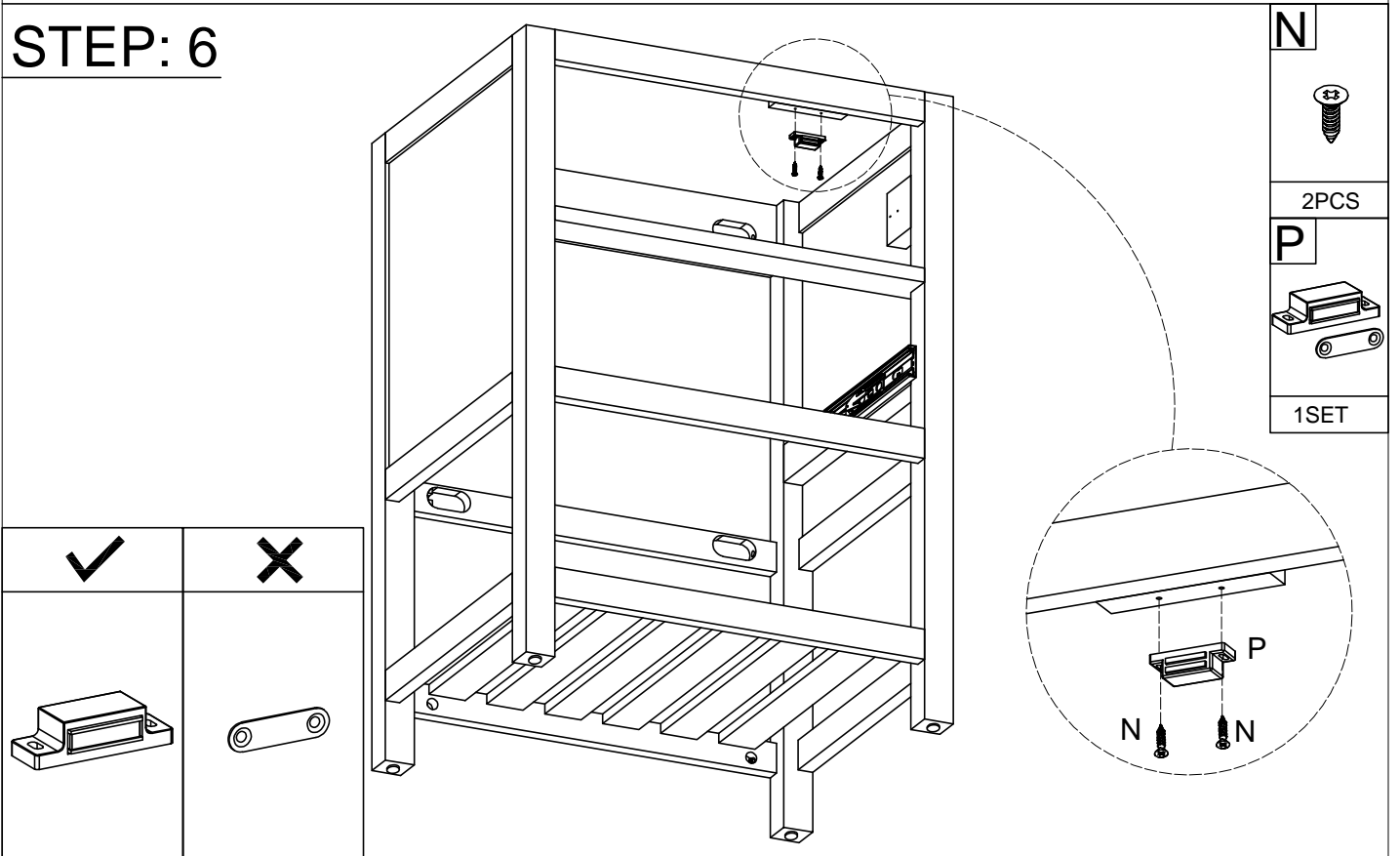
A	
	2PCS
C	
	2PCS


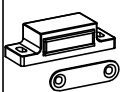
STEP: 5

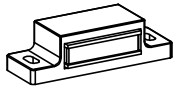



A 	F 
8PCS	1PC
C 	G 
2PCS	4PCS
H 	
4PCS	

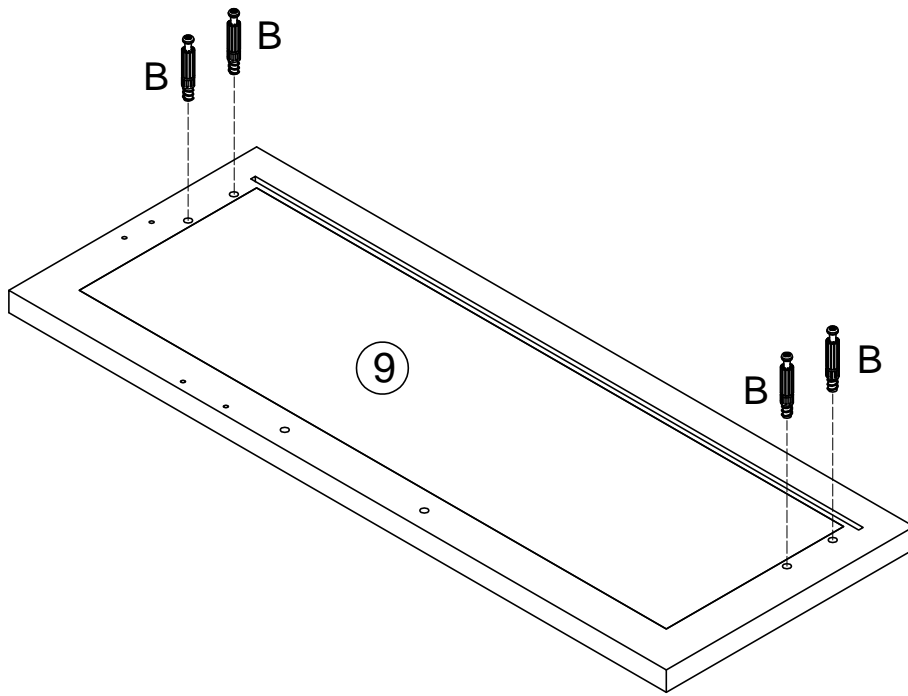
STEP: 6



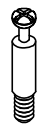
N 
2PCS
P 
1SET

✓	✗
	

STEP: 7



B

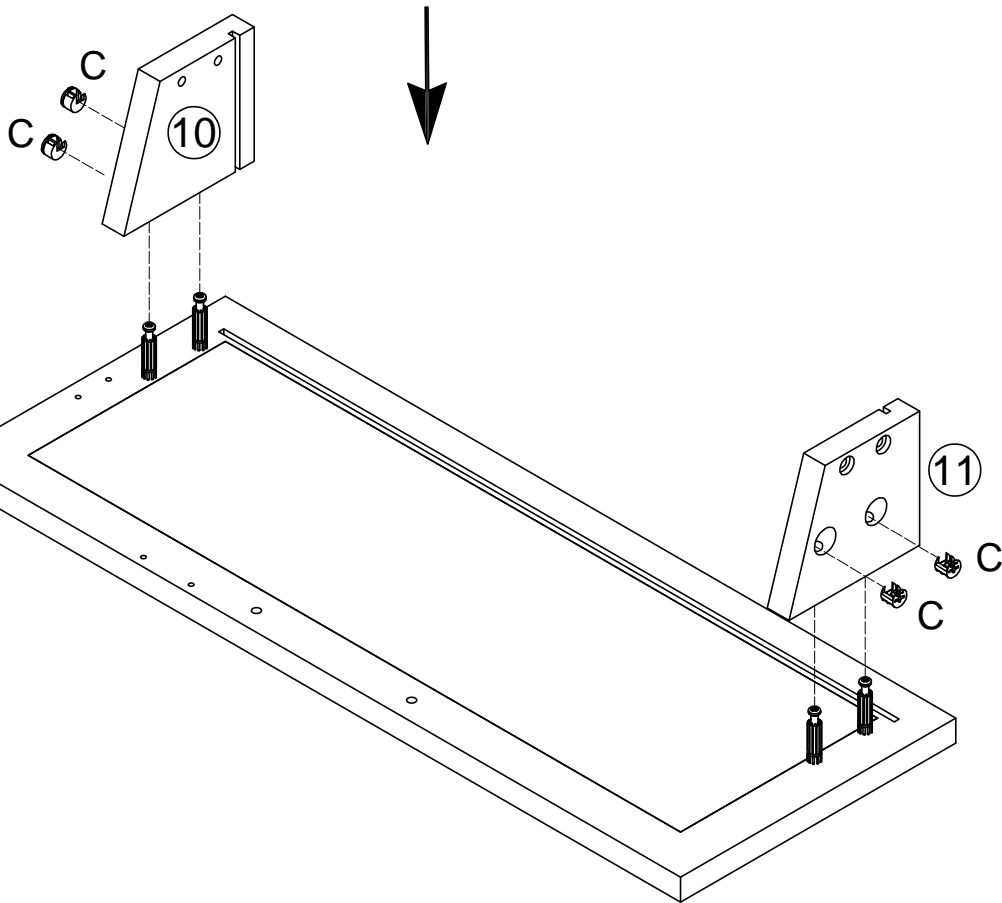


4PCS

C



4PCS

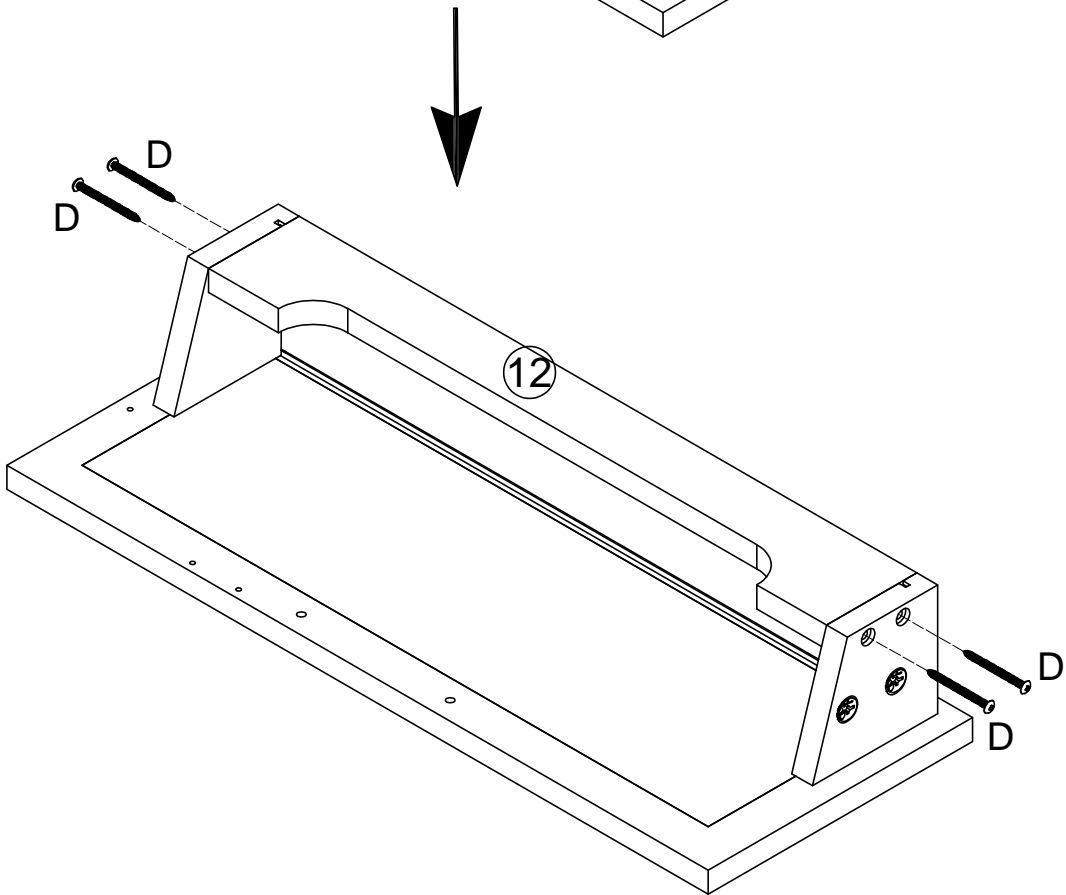
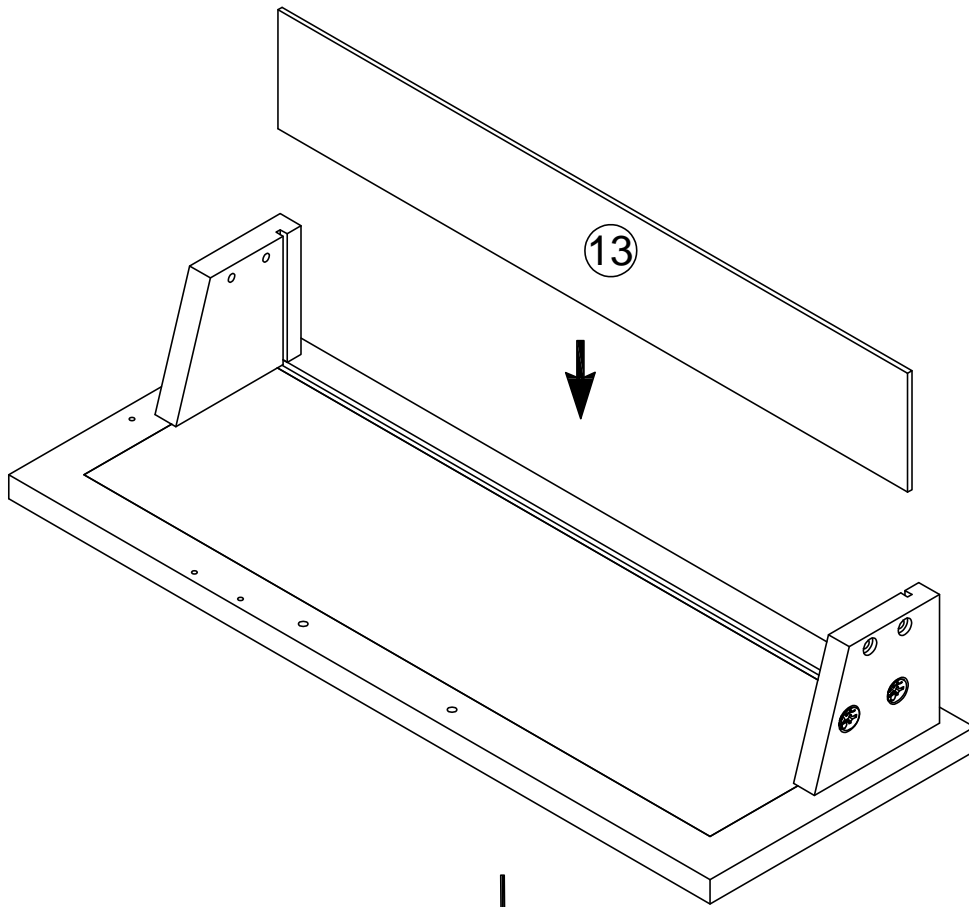


STEP: 8

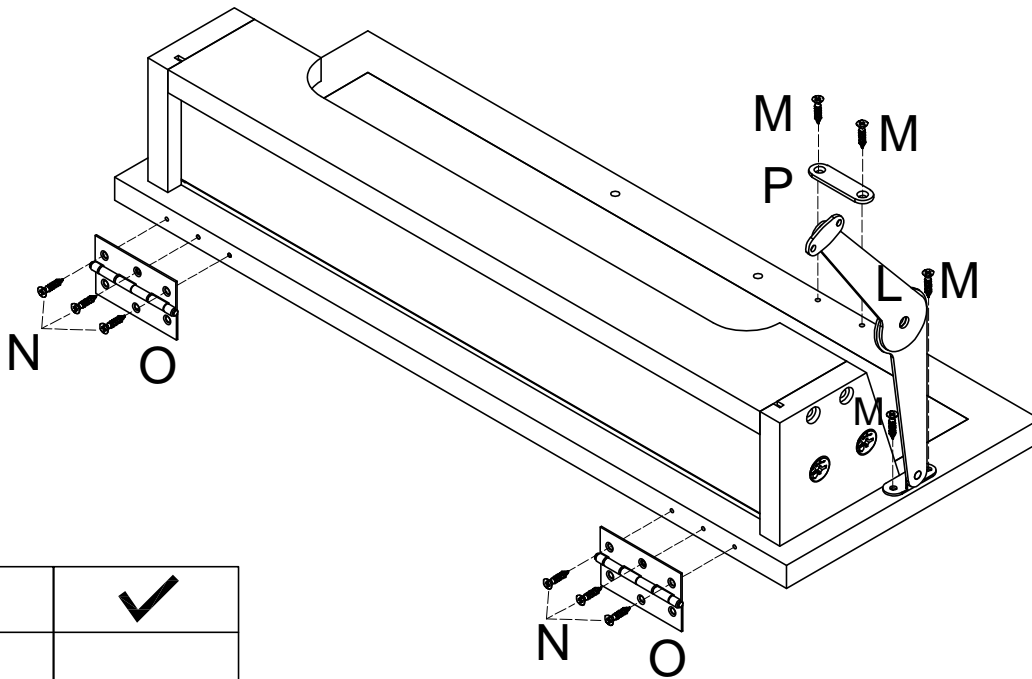
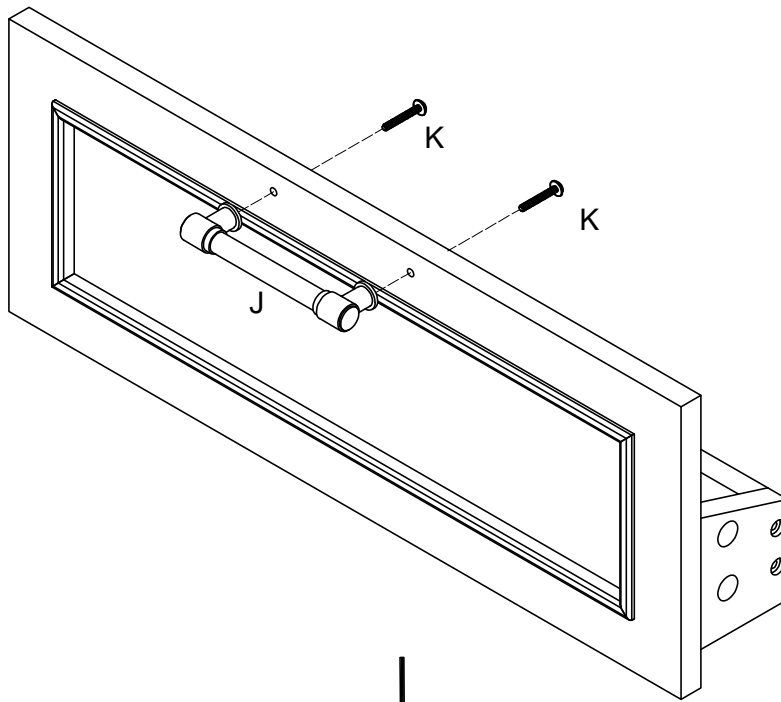
D



4PCS



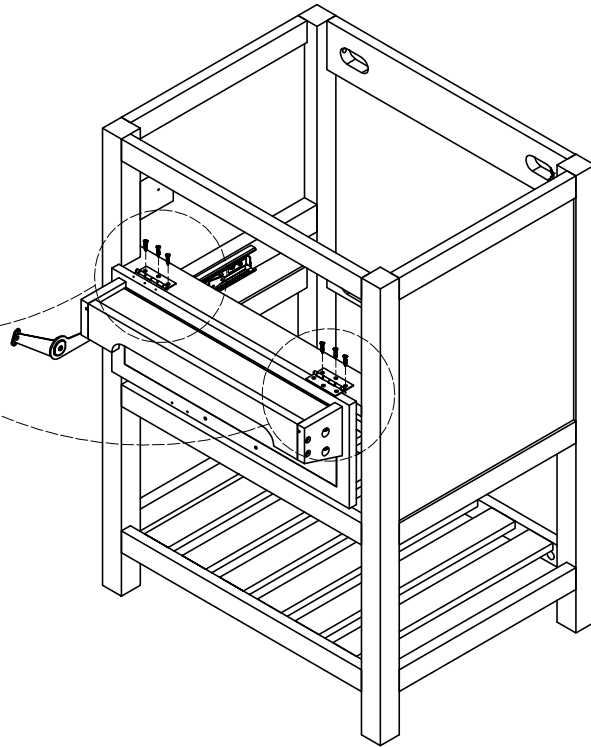
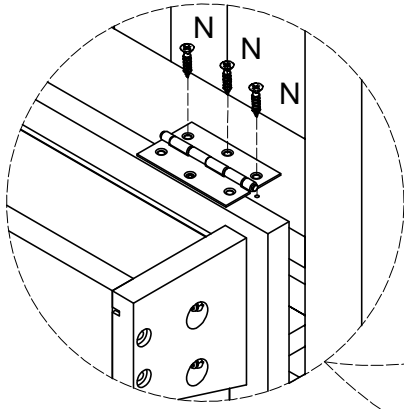
STEP: 9



J	N
1PC	6PCS
K	M
2PCS	4PCS
L	P
1PC	
	O
	2PCS

X	✓

STEP: 10

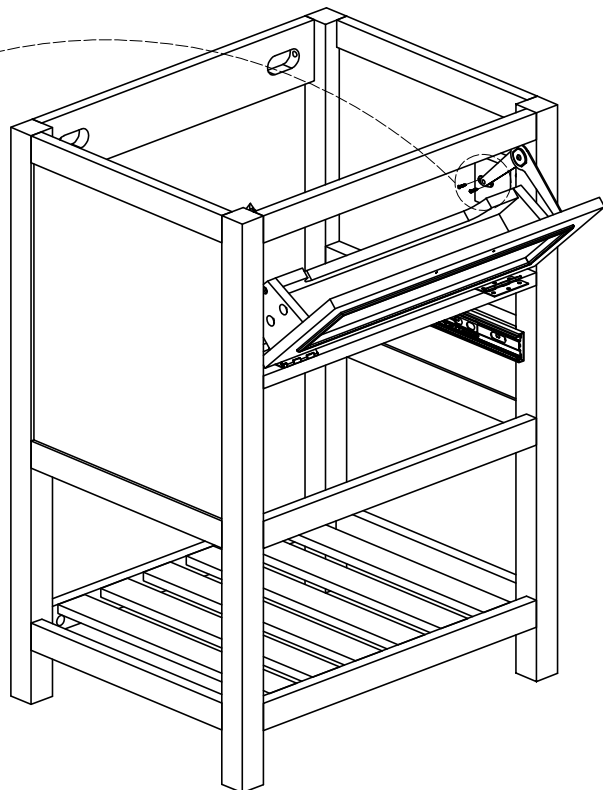
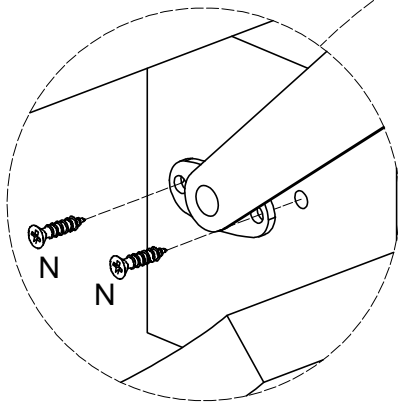


N



6PCS

STEP: 11

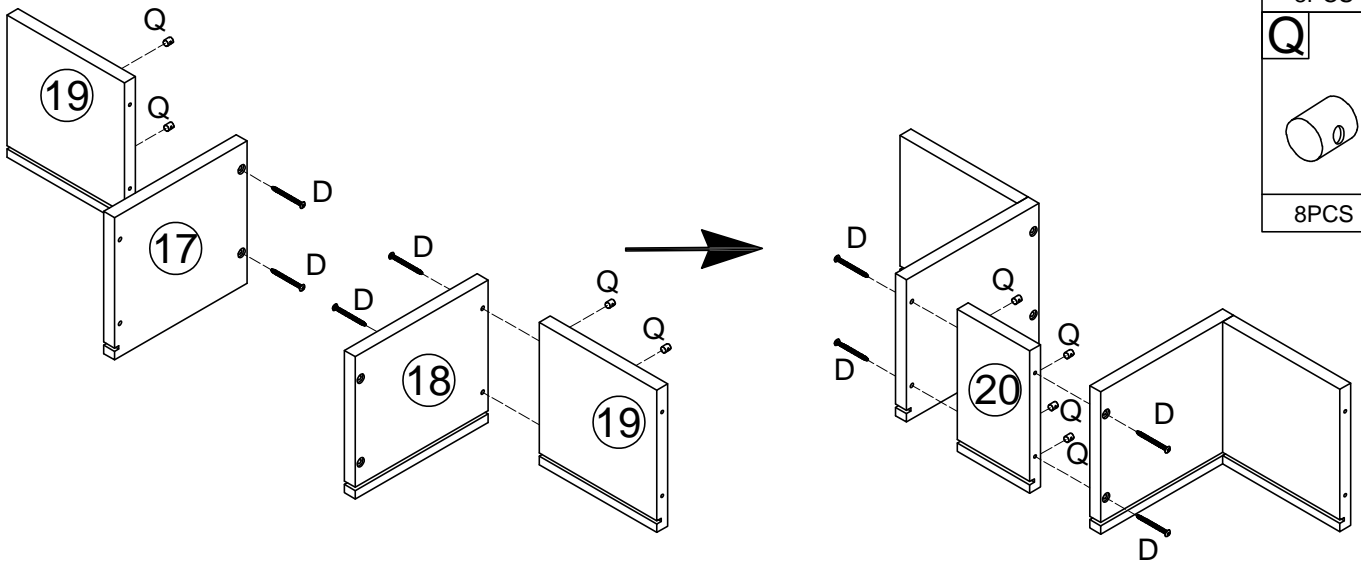


N



2PCS

STEP: 12



D



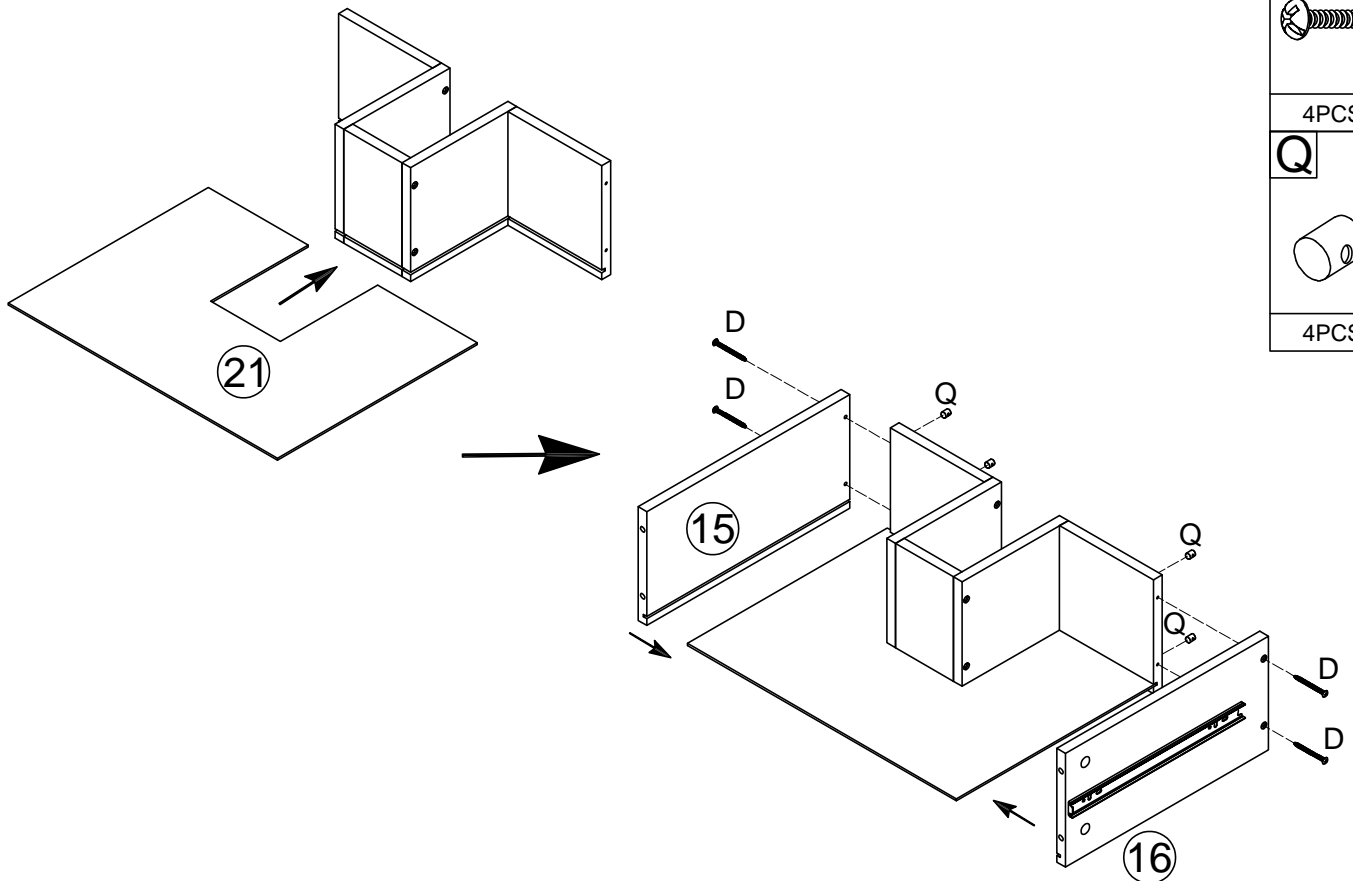
8PCS

Q



8PCS

STEP: 13



D



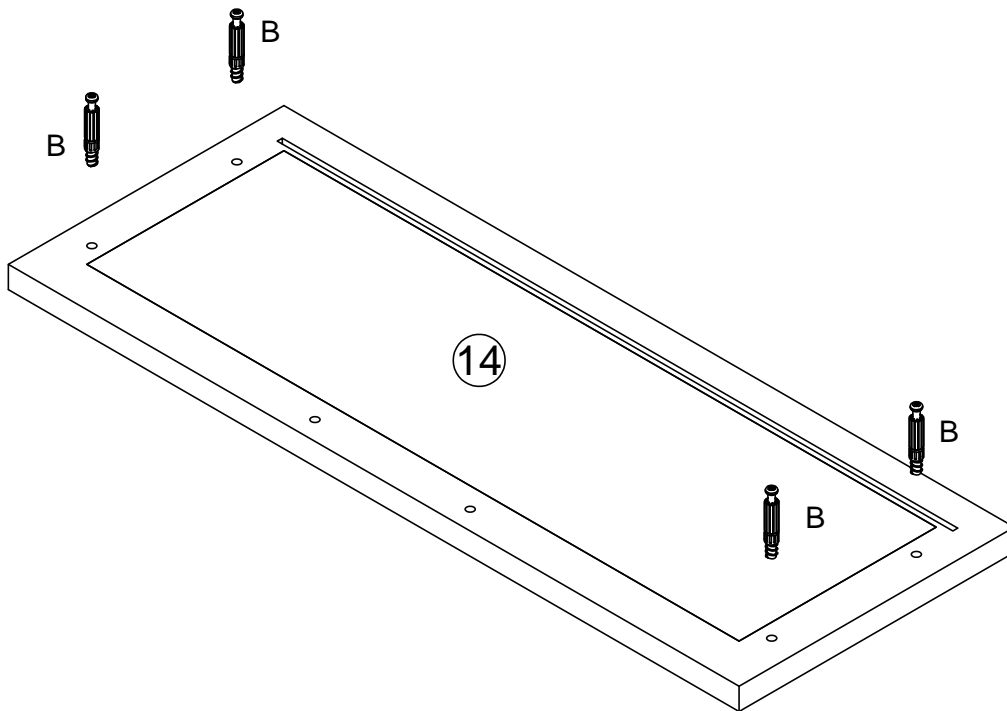
4PCS

Q



4PCS

STEP: 14

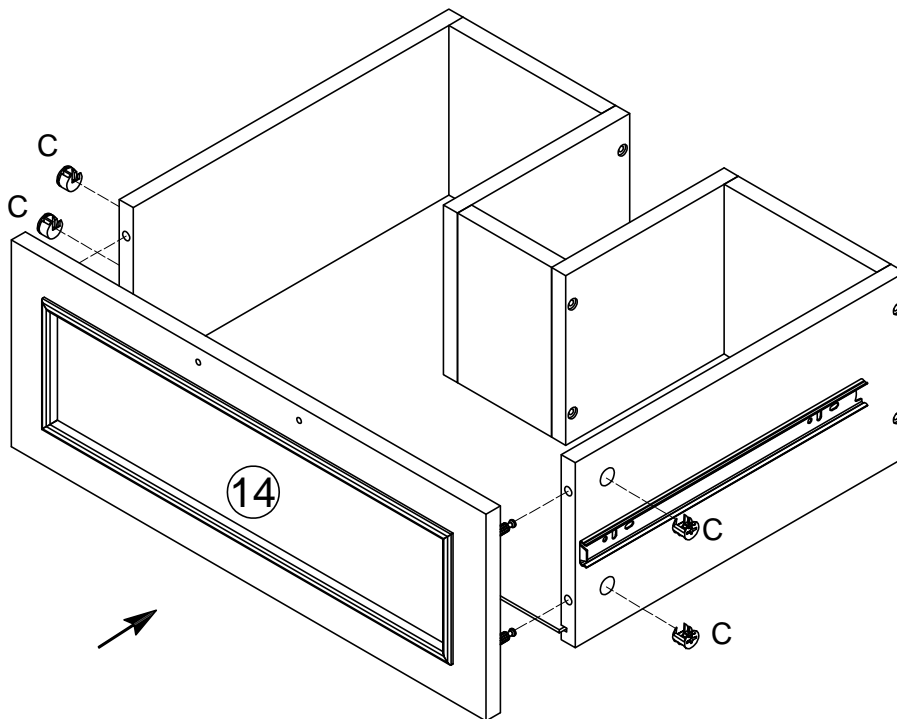


B



4PCS

STEP: 15

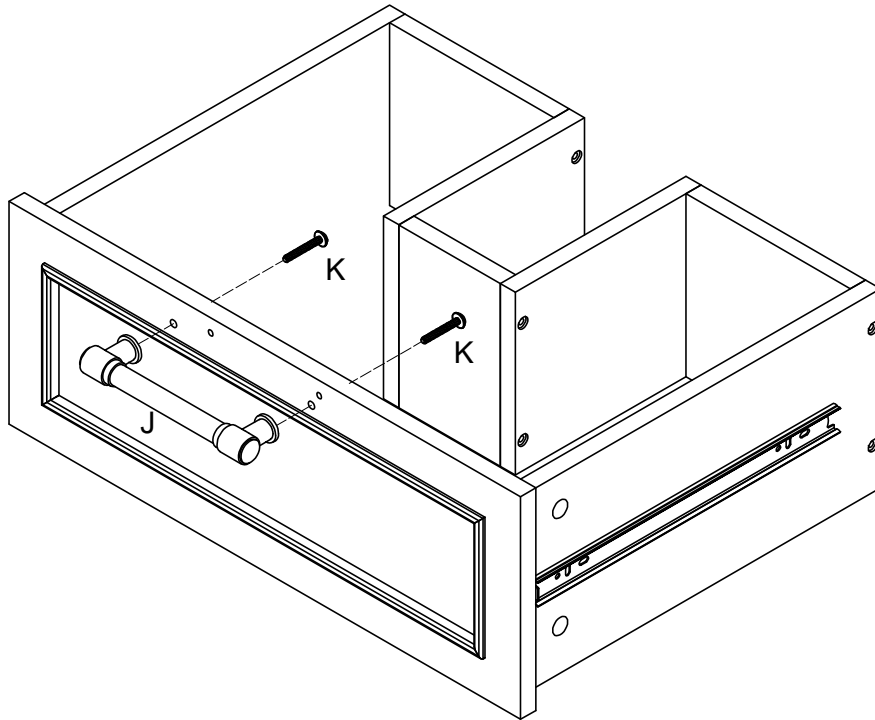


C



4PCS

STEP: 16



J



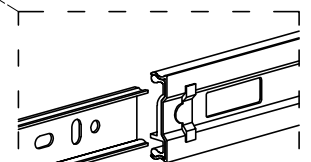
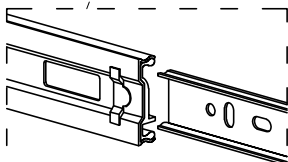
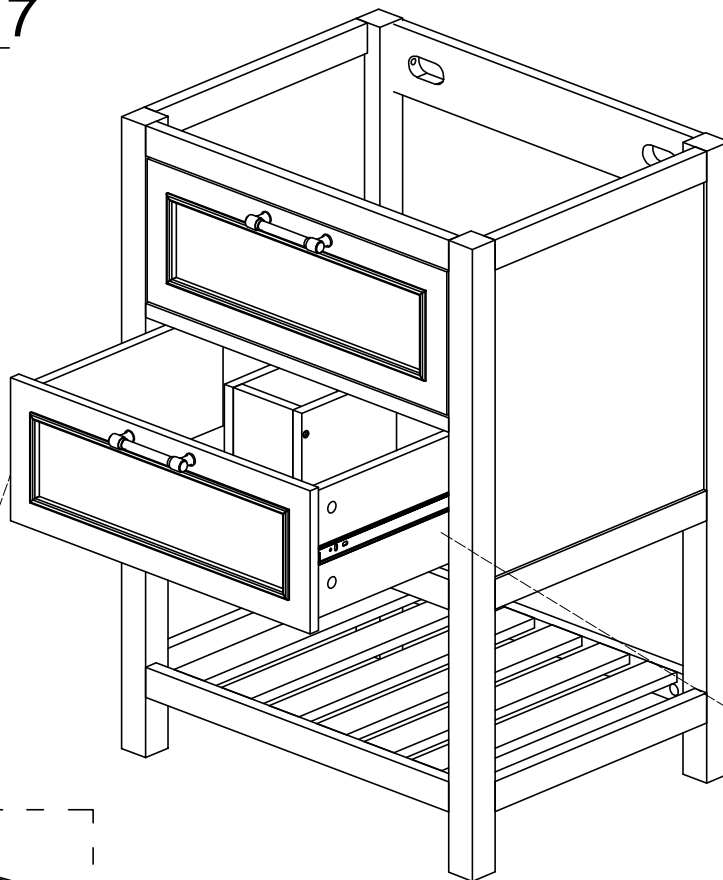
1PC

K



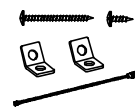
2PCS

STEP: 17

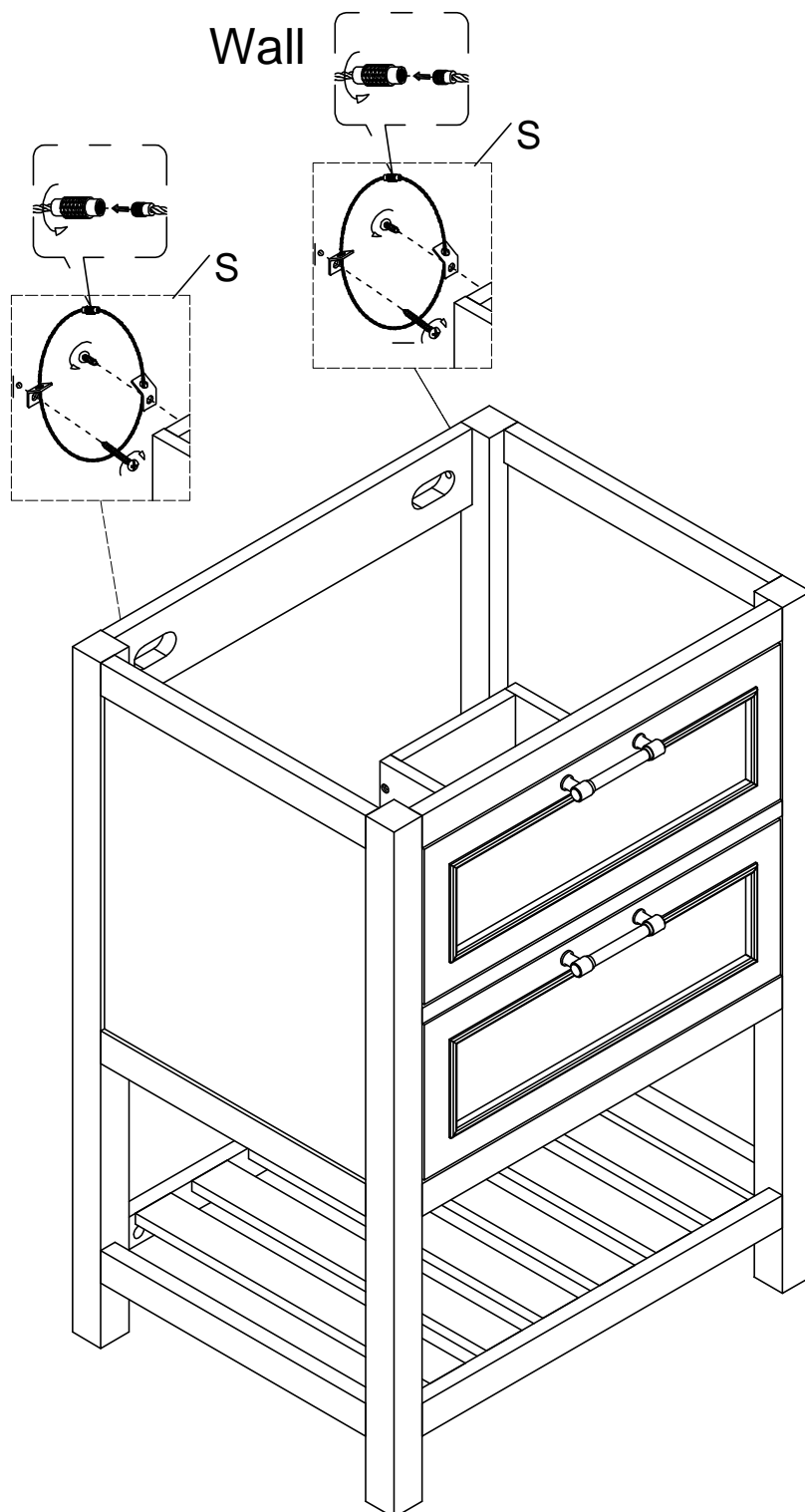


STEP: 18

S

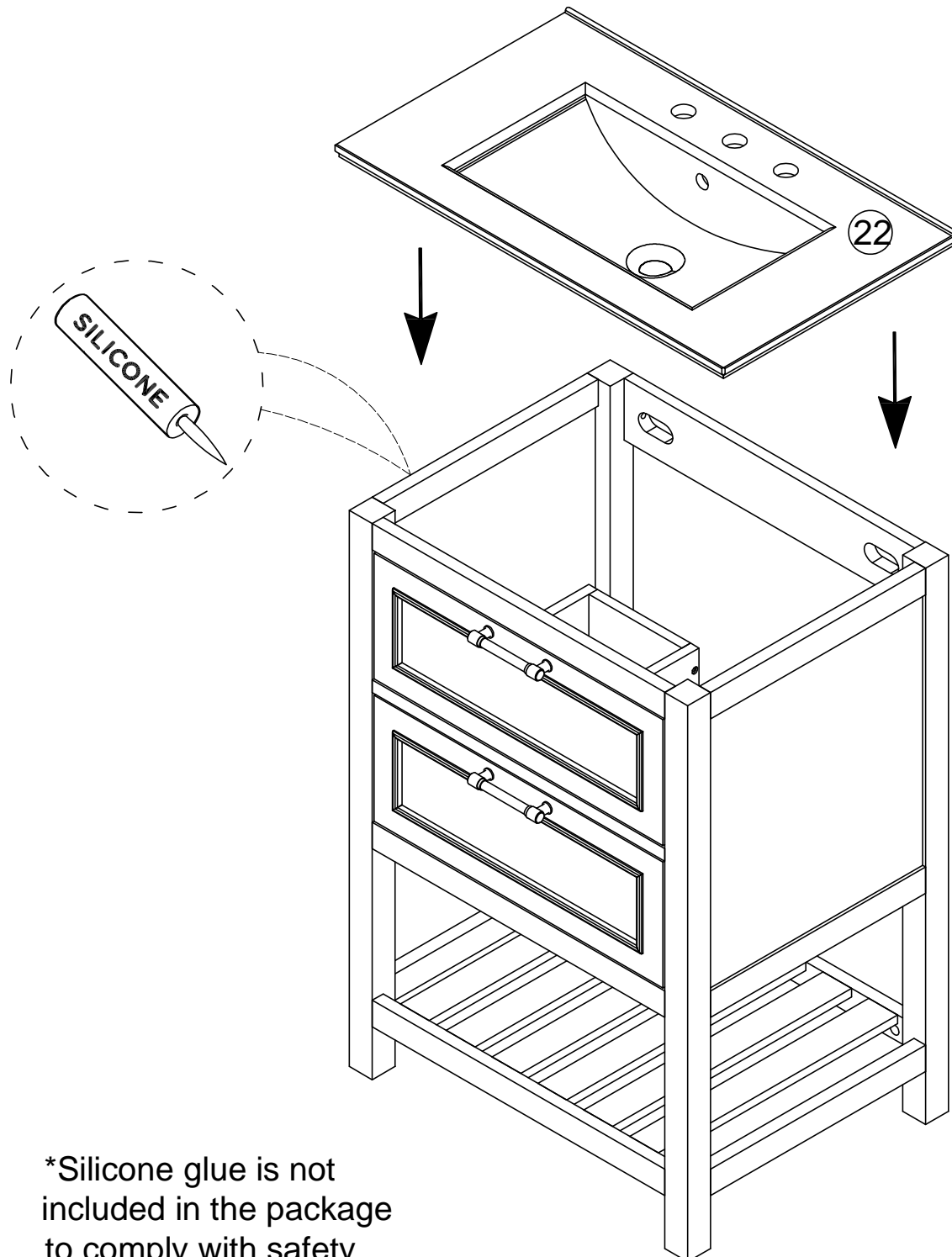


2SET



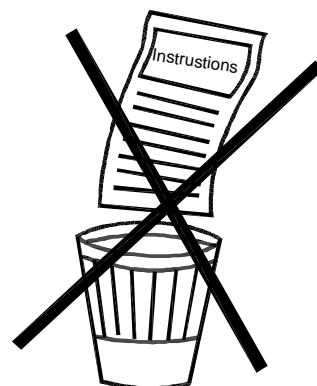
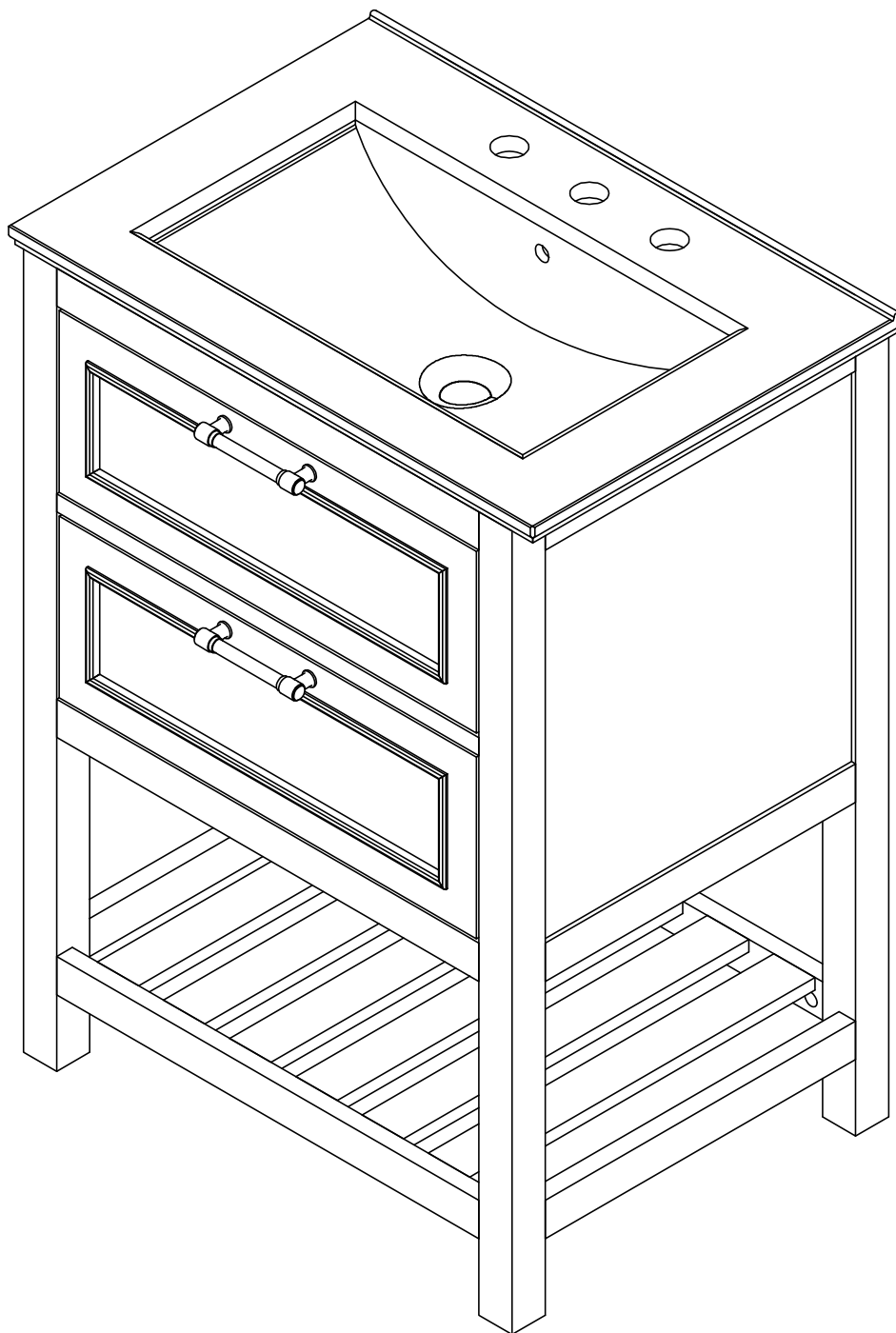
STEP: 19

Install the sink on the cabinet with glue.
Let stand for 24 hours

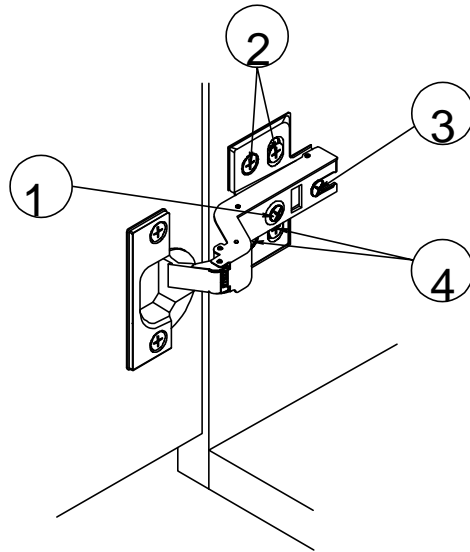


*Silicone glue is not included in the package to comply with safety regulations in certain shipping conditions.

STEP: 20

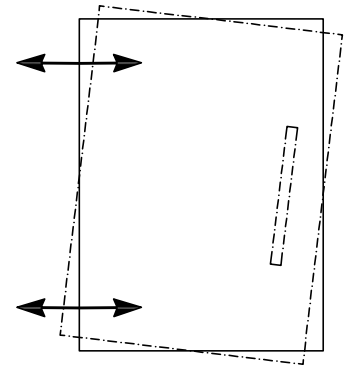


HINGE ADJUSTMENTS



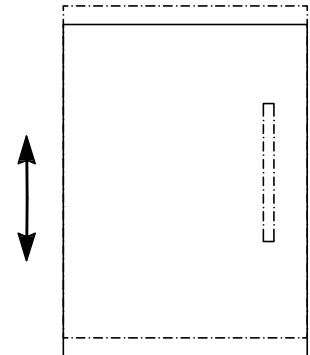
① Sideways / Tilt adjustment

Turn the screw
clockwise to move the door further away from
the side of the cabinet
anticlockwise to move the door closer to the
side of the cabinet



② ④ Height adjustment

While supporting the weight of the door, turn the
screws
clockwise to move the door up
anticlockwise to move the door down



③ Forward and back adjustment

