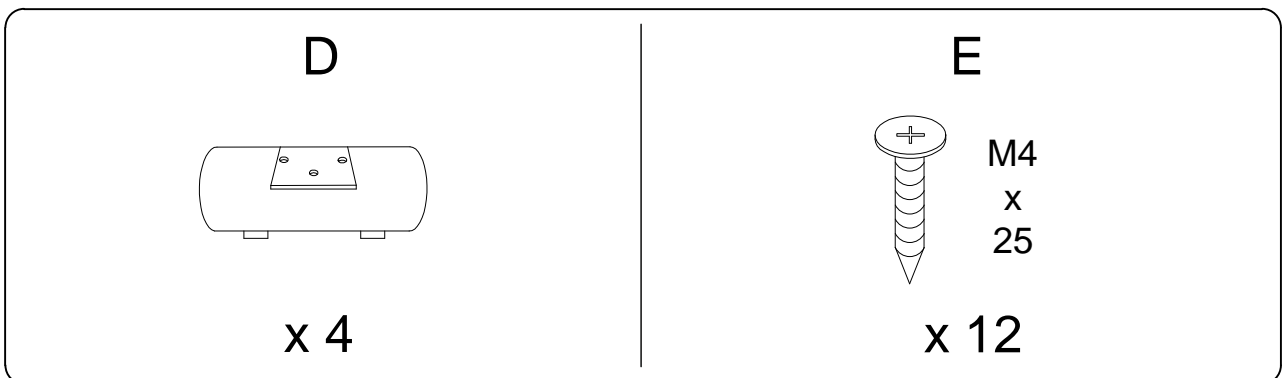
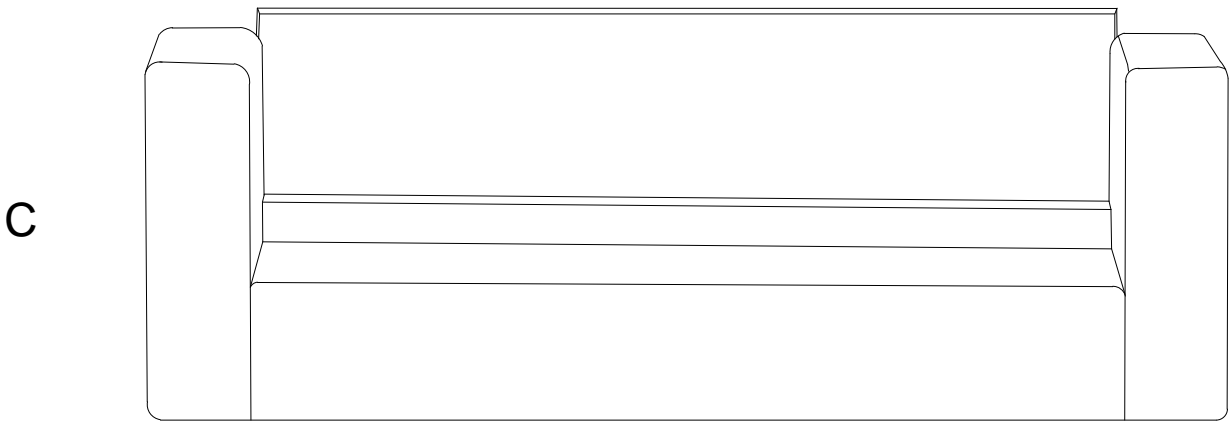
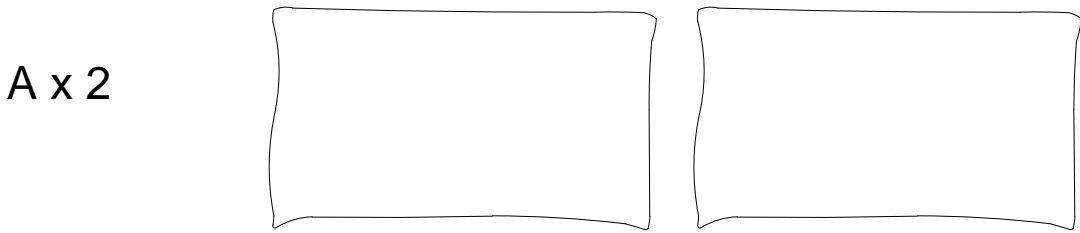
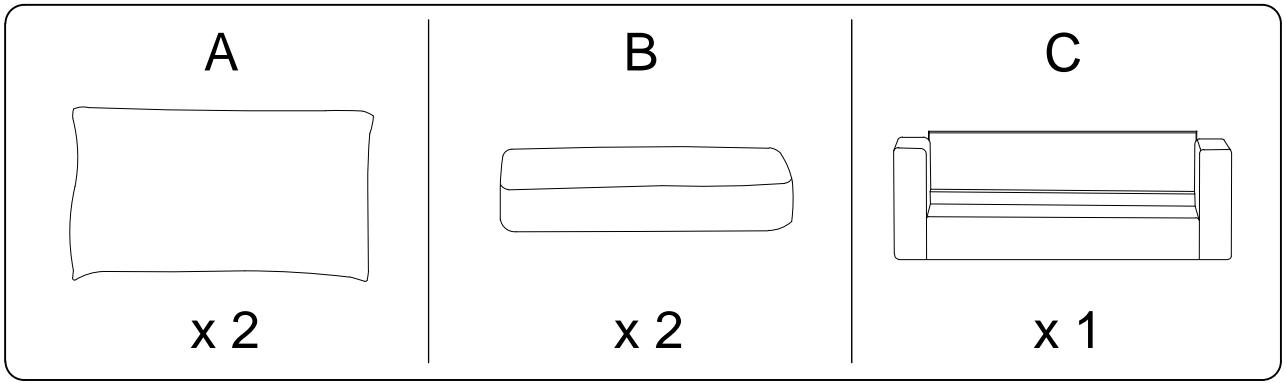


Assembly instructions for the top section of the sofa:

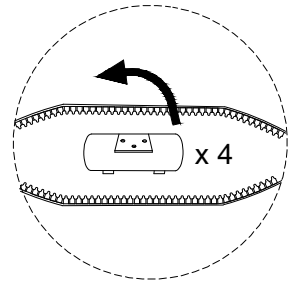
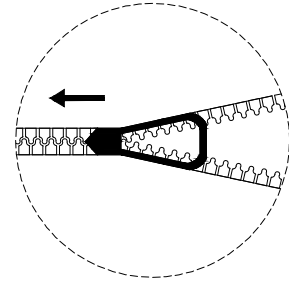
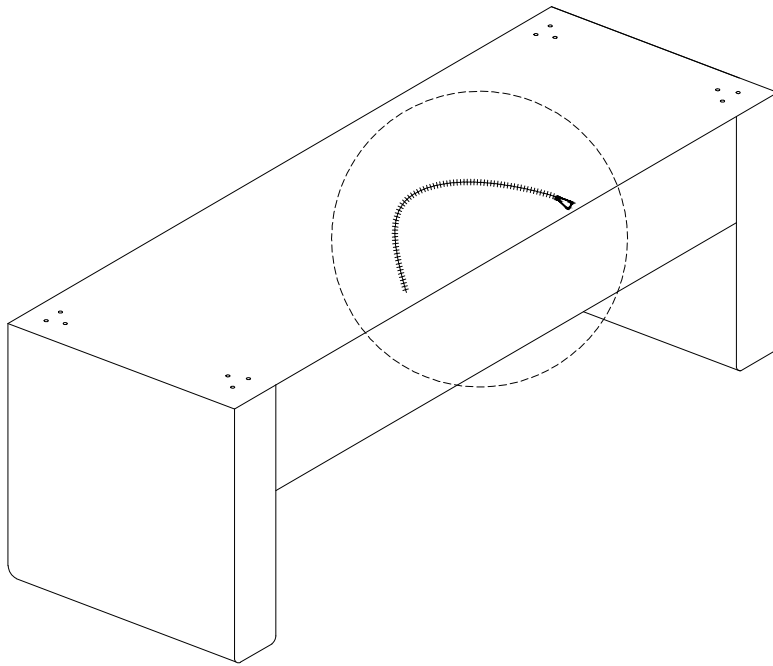
- Tools: A screwdriver is shown in a circle, and a power drill is shown with a diagonal line through it, indicating it should not be used.
- Warning: A triangle with an exclamation mark inside.
- Time: A clock icon with the text "15'" below it, indicating a 15-minute assembly time.

Assembly instructions for the bottom section of the sofa:

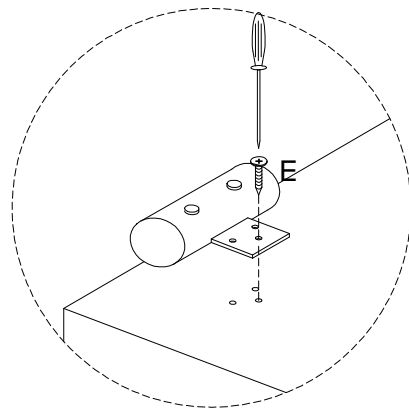
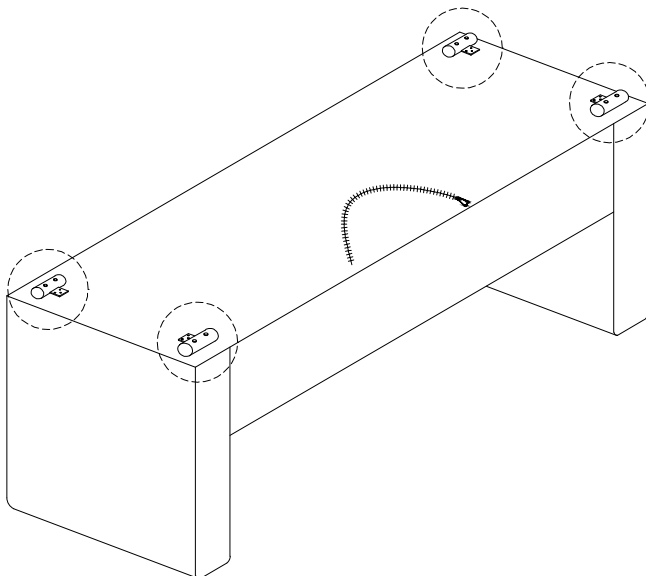
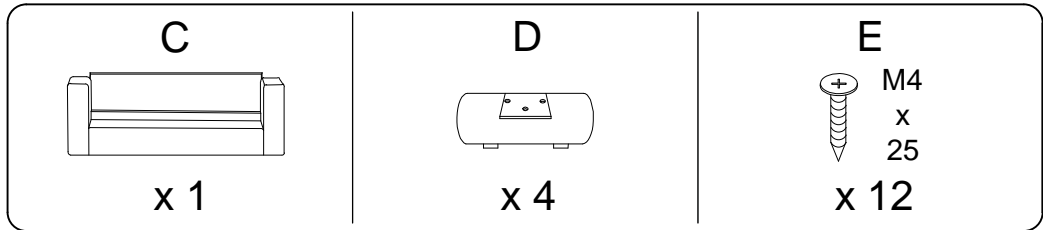
- Tools: A block of foam is shown on a mat in a circle, and a block of foam is shown with a diagonal line through it, indicating it should not be used.
- Warning: A triangle with an exclamation mark inside.
- Personnel: A stick figure icon with the text "1" below it, indicating that one person is required for assembly.



1



2



3

