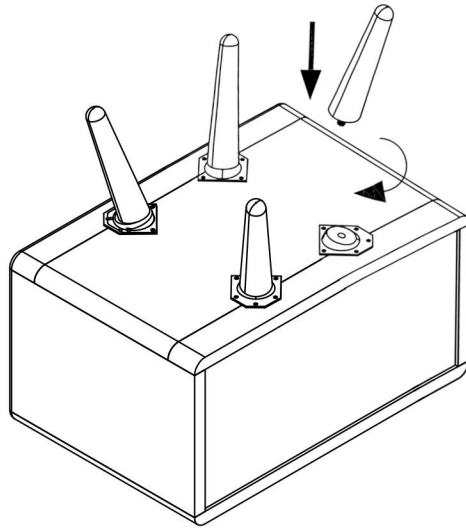


# Bedside Cabinet Assembly

## Step 1

Place the cabinet upside down on a flat surface.



## Detail

