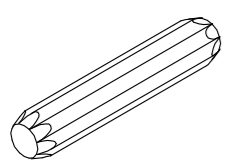
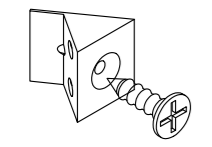
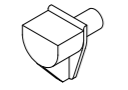
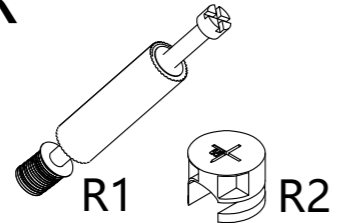


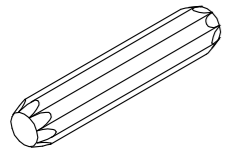
X2

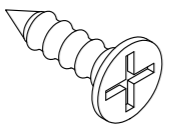
S 6*30

 12PCS

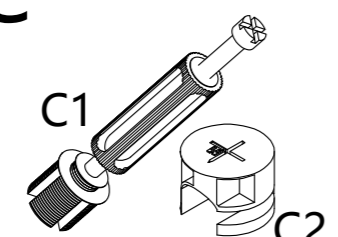
P

 20PCS

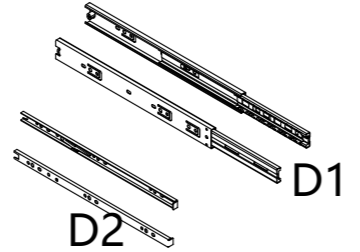
Q

 4PCS

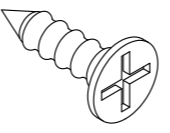
R

 R1 R2
 52PCS


A 8*40

 26PCS

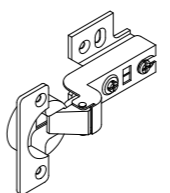
B 3.5*14

 48PCS


C

 C1 C2
 67PCS

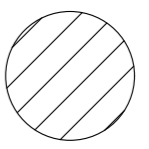
D 300MM

 D1 D2
 5PCS

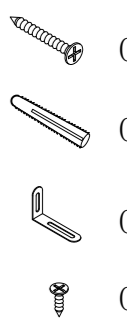
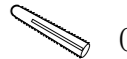


F 3.5*12

 16PCS

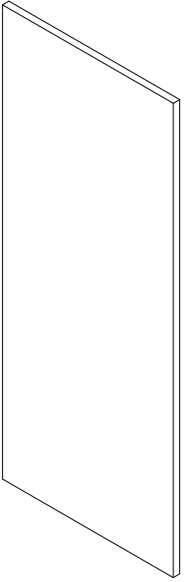
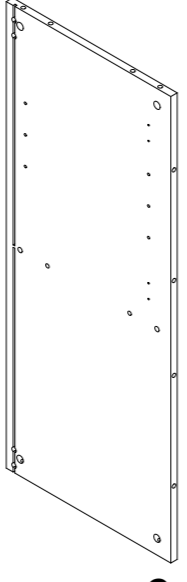
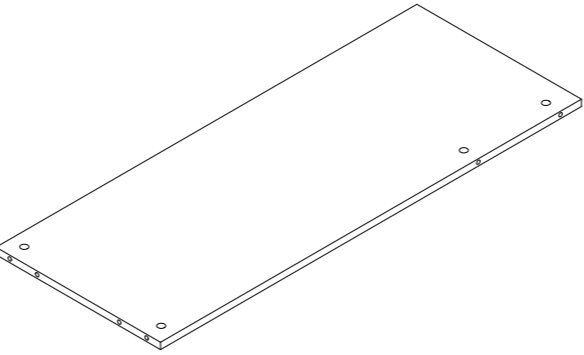
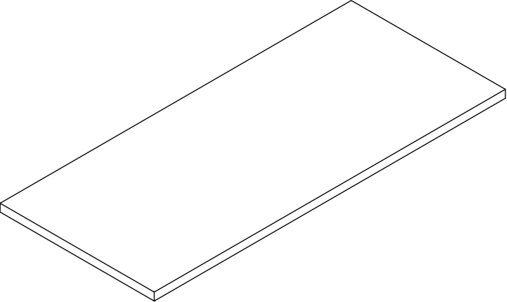
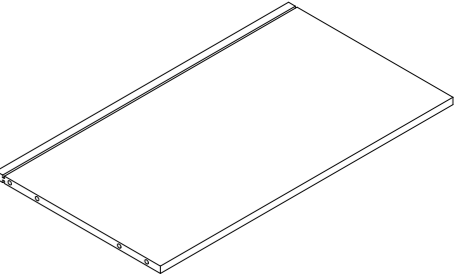
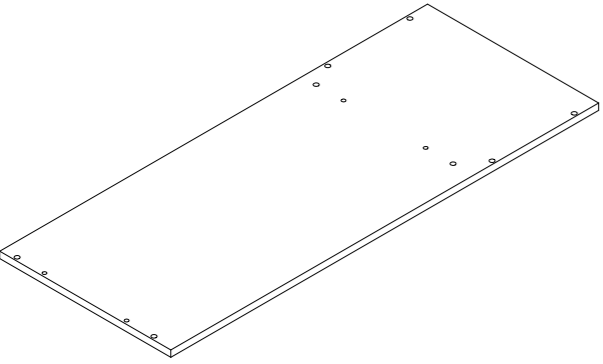
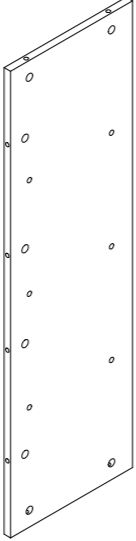

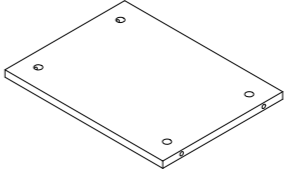
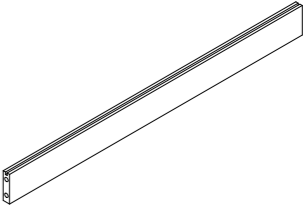
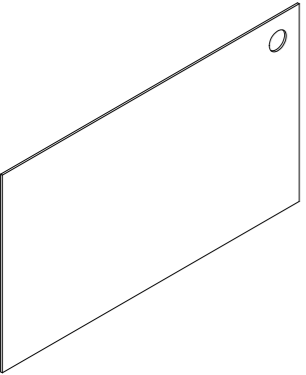
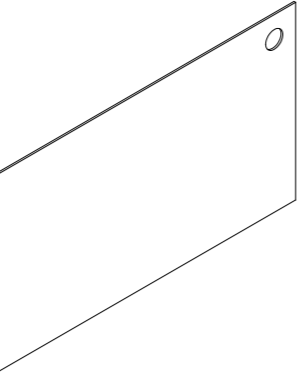
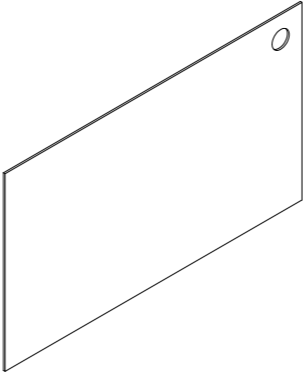
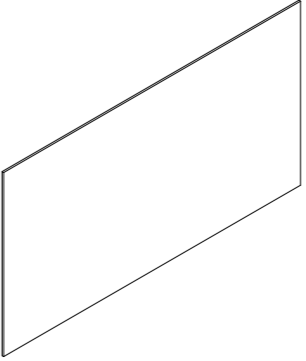
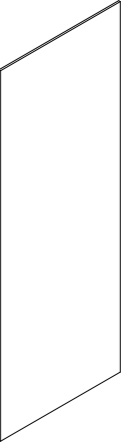
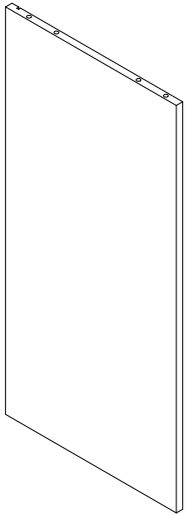
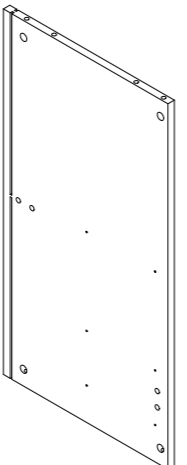

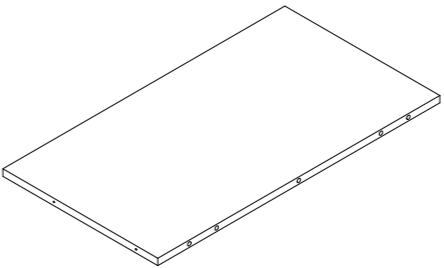
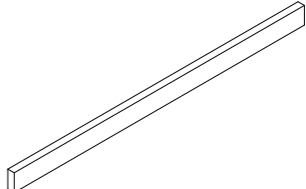
G 4*19

 G1
 1PCS

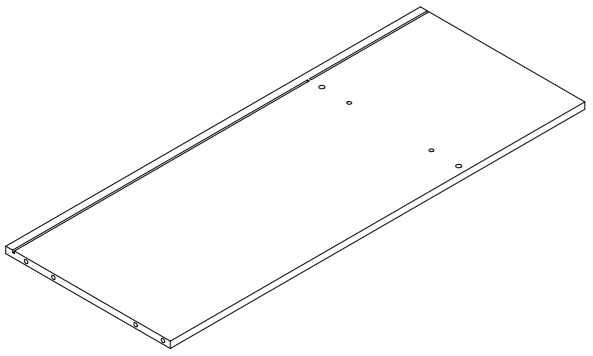
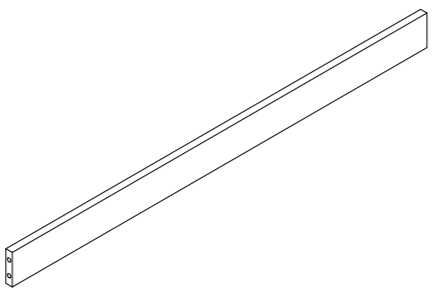
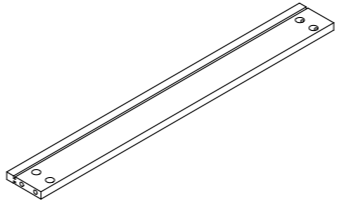
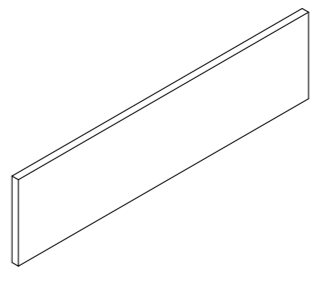
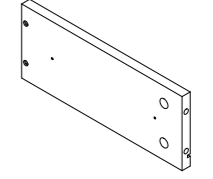
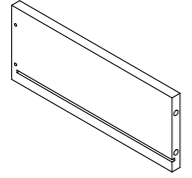
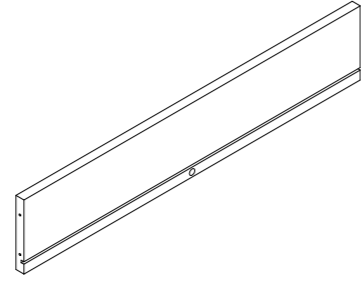
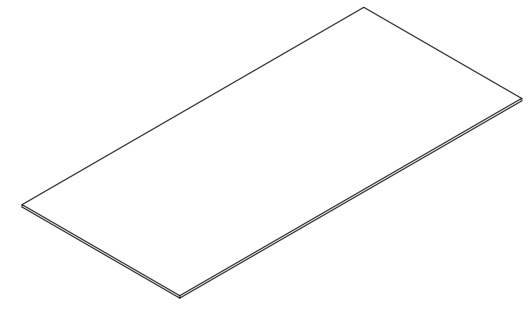
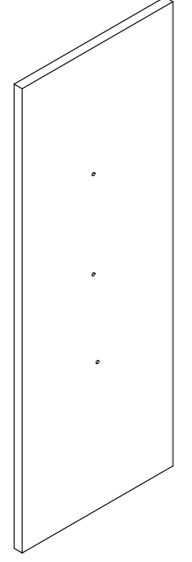
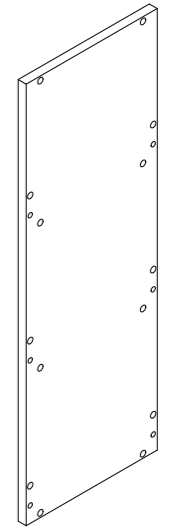
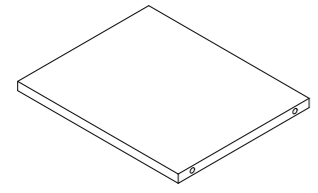
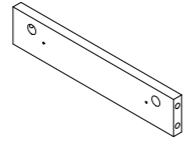
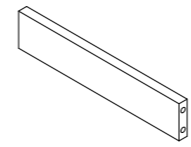
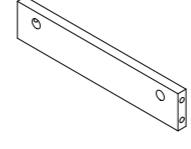
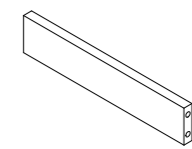
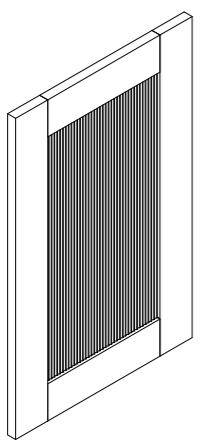
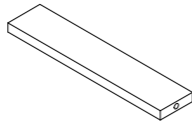
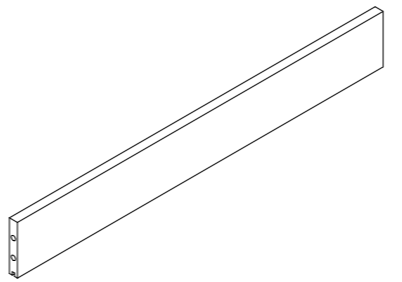
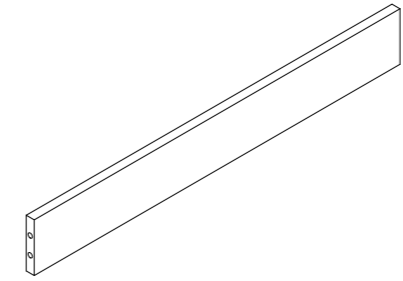
I

 G2
 4PCS

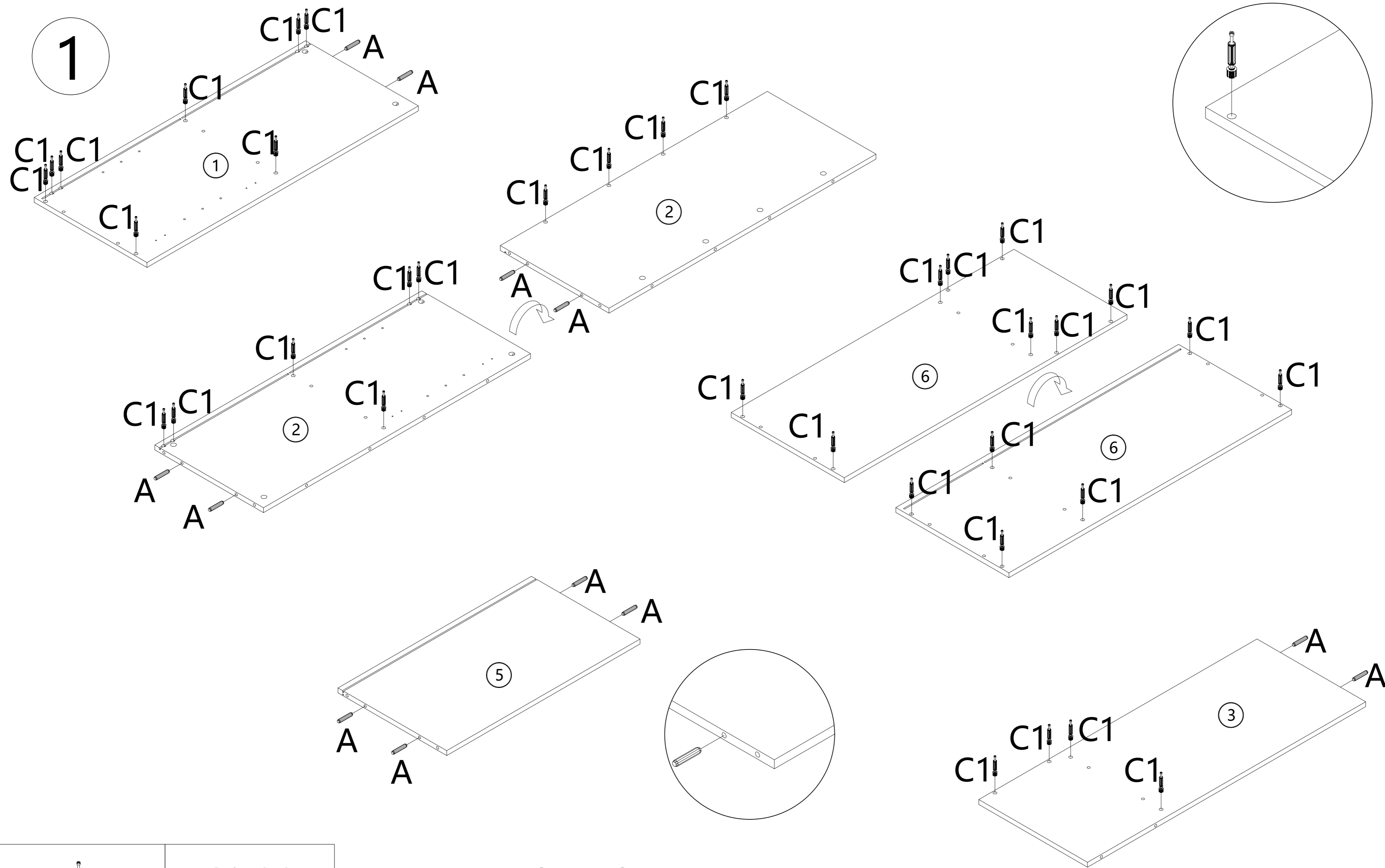
M 3.5*30

 8PCS


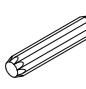
N

 119PCS

O

 01

 02

 03

 04
 2PCS

<p>1</p>  <p>960*399 1ps</p>	<p>2</p>  <p>944.5*383 1ps</p>	<p>3</p>  <p>984*383 1ps</p>	<p>4</p>  <p>682*364 1ps</p>	<p>5</p>  <p>684*383 1ps</p>
<p>6</p>  <p>1000*400 1ps</p>	<p>7</p>  <p>944.5*285 1ps</p>	<p>8</p>  <p>960*300 1ps</p>	<p>9</p>  <p>367.5*280 3ps</p>	<p>10</p>  <p>684*60 1ps</p>
<p>11</p>  <p>694*399 1ps</p>	<p>12</p>  <p>694*399 1ps</p>	<p>13</p>  <p>694*372.5 1ps</p>	<p>14</p>  <p>694*372.5 1ps</p>	<p>15</p>  <p>750*280 1ps</p>
<p>16</p>  <p>825*399 1ps</p>	<p>17</p>  <p>740*383 1ps</p>	<p>18</p>  <p>825*399 1ps</p>	<p>19</p>  <p>659*357 1ps</p>	<p>20</p>  <p>678*45 1ps</p>

<p>21</p>  <p>969*383 1ps</p>	<p>22</p>  <p>969*70 2ps</p>	<p>23</p>  <p>684*80 1ps</p>	<p>24</p>  <p>678*175 2ps</p>	<p>25</p>  <p>300*120 2ps</p>
<p>26</p>  <p>300*120 2ps</p>	<p>27</p>  <p>635*120 2ps</p>	<p>28</p>  <p>642*295 2ps</p>	<p>29</p>  <p>755*282 1ps</p>	<p>30</p>  <p>715*246 1ps</p>
<p>31</p>  <p>300*245 4ps</p>	<p>32</p>  <p>300*60 2ps</p>	<p>33</p>  <p>300*60 2ps</p>	<p>34</p>  <p>300*60 1ps</p>	<p>35</p>  <p>300*60 1ps</p>
<p>36</p>  <p>520*337.5 2ps</p>	<p>37</p>  <p>286.5*60 2ps</p>	<p>38</p>  <p>684*90 1ps</p>	<p>39</p>  <p>684*60 1ps</p>	

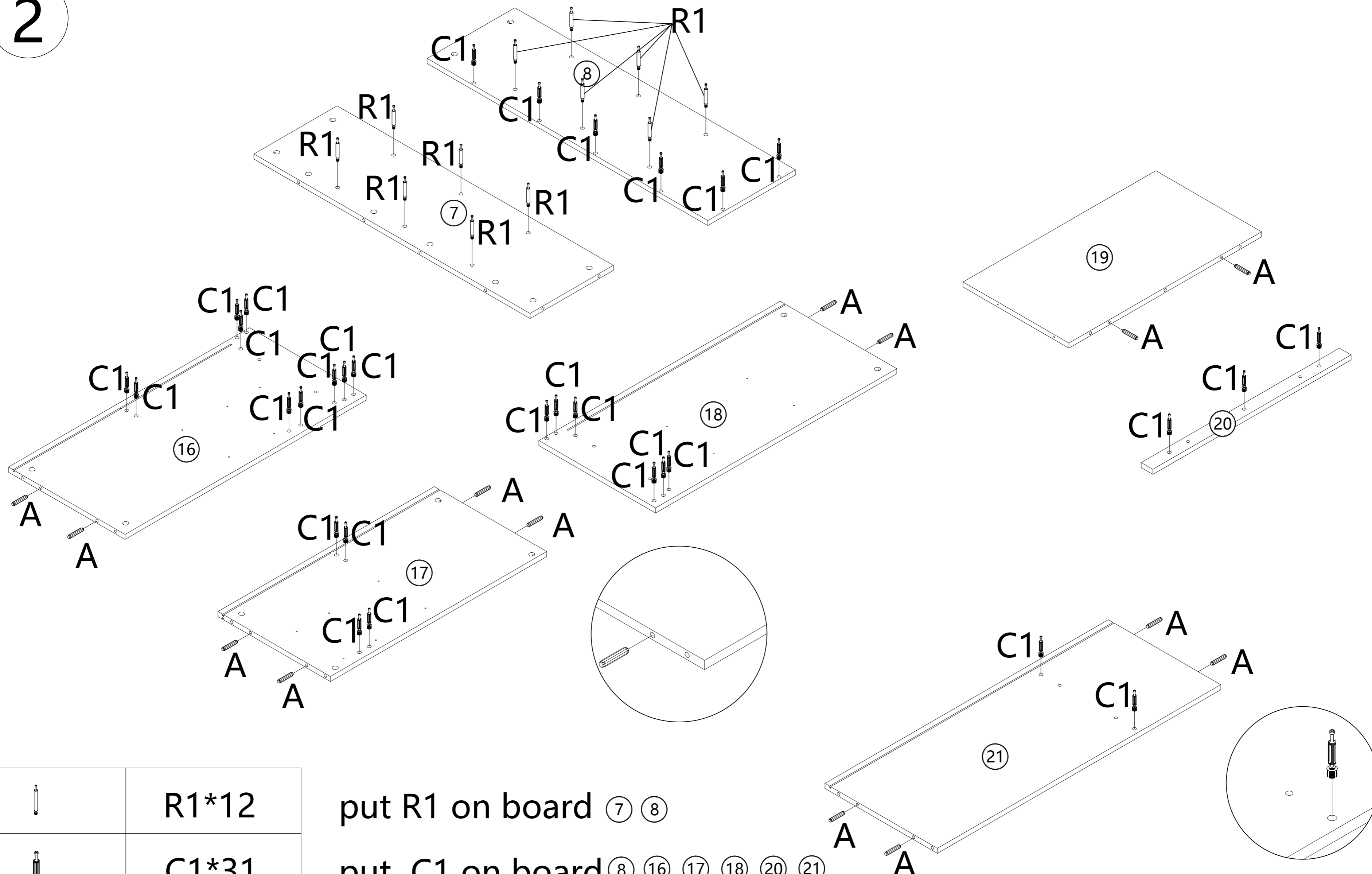




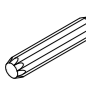
	C1*36
	A*12

put C1 on board ① ② ③ ⑥

put A on board ① ② ③ ⑤

2



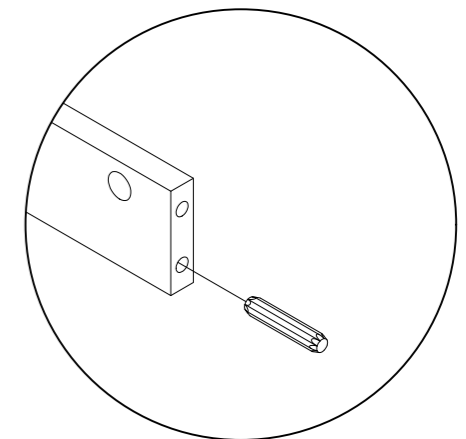
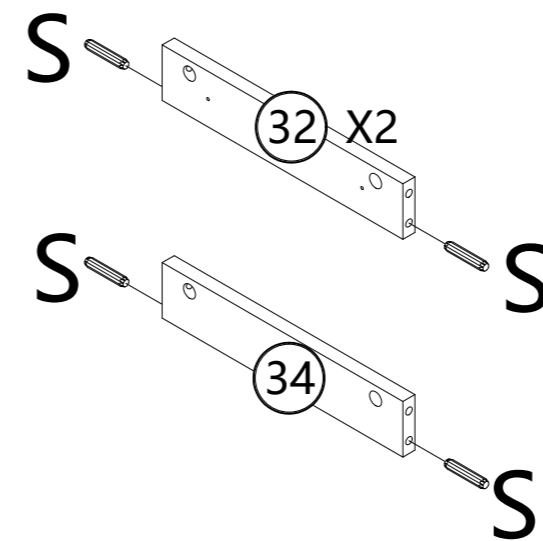
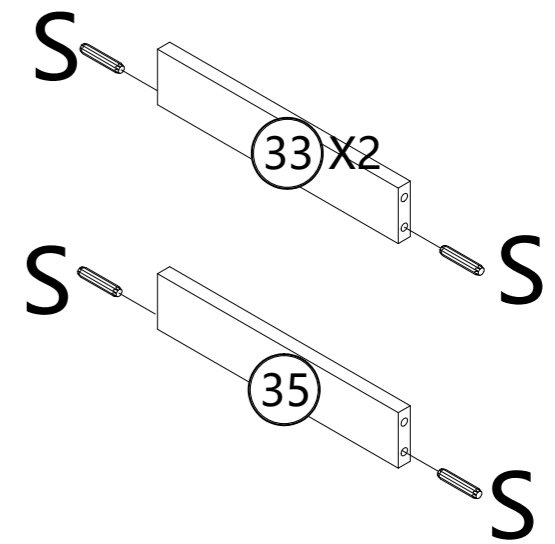
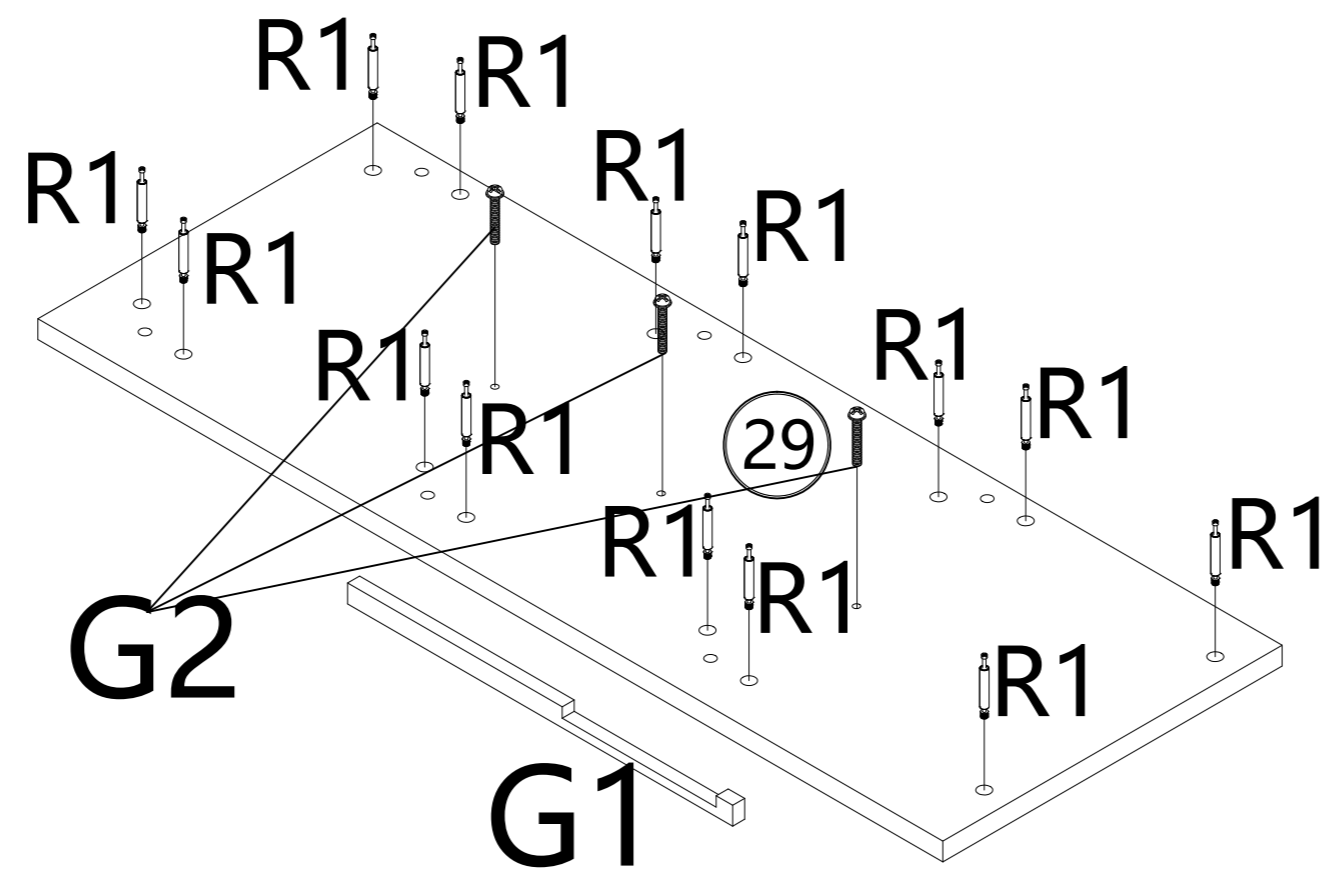
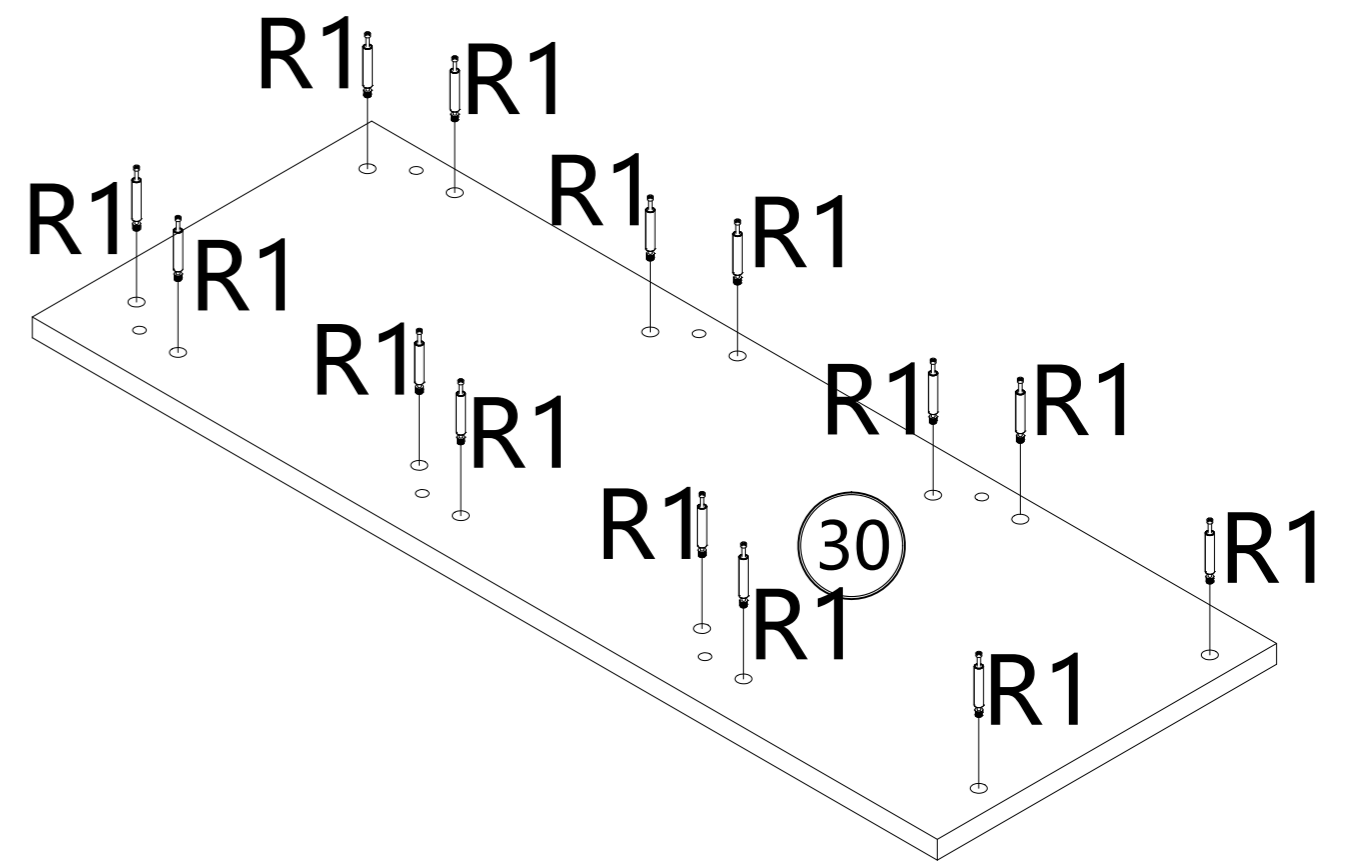
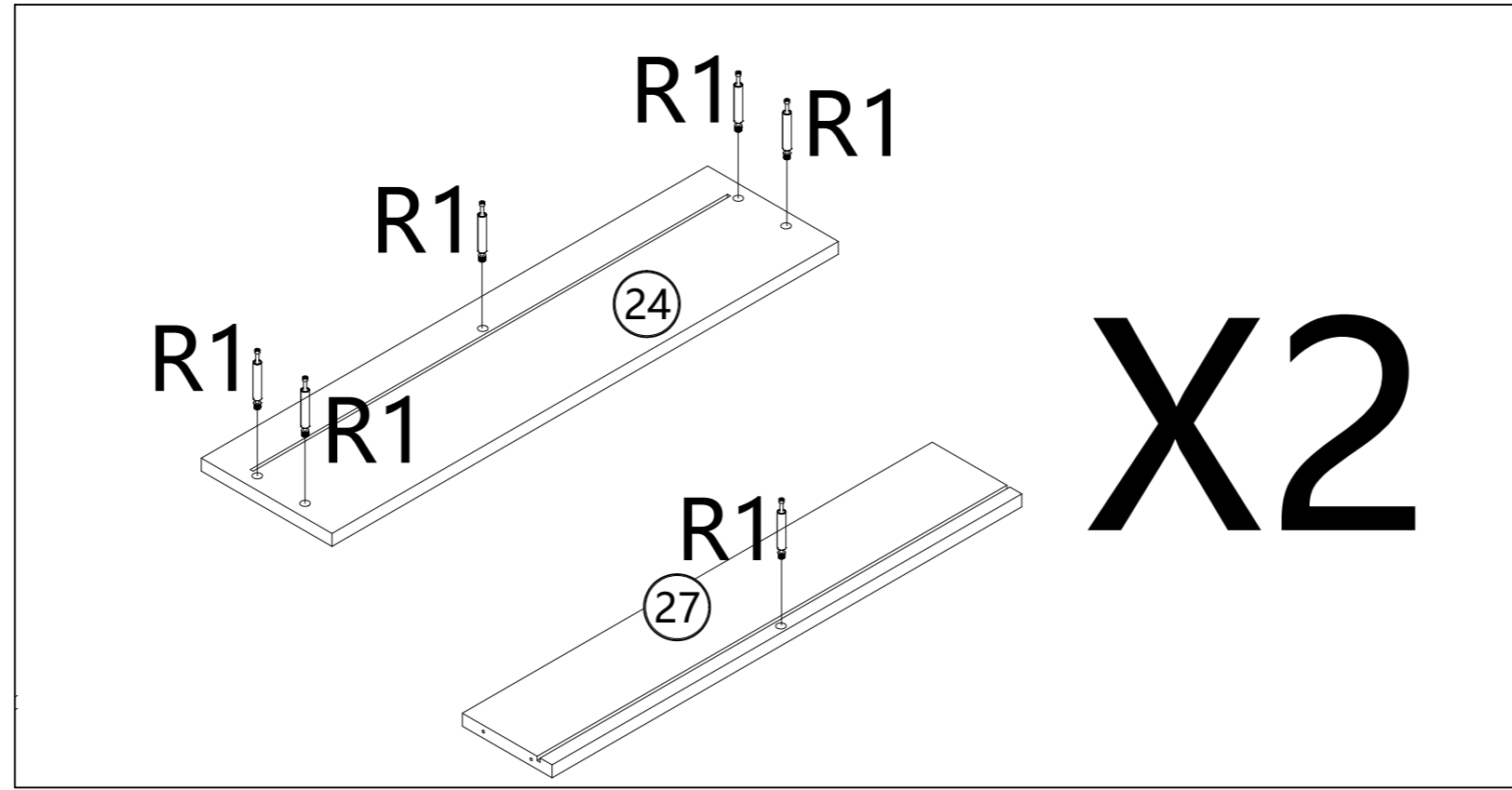
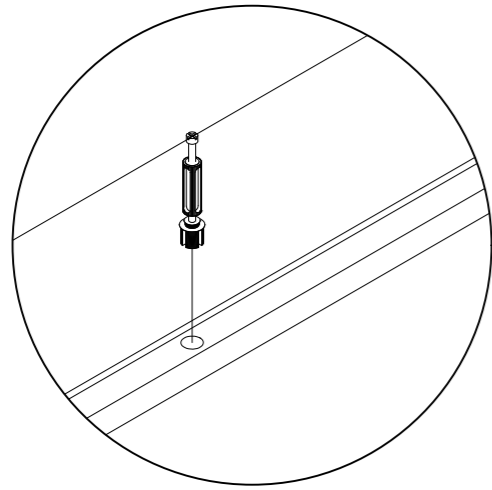
	R1*12
	C1*31
	A*14


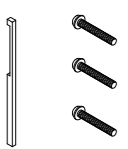
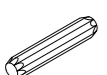
put R1 on board ⑦ ⑧

put C1 on board ⑧ ⑬ ⑭ ⑮ ⑯ ⑰ ⑱

put A on board ⑬ ⑭ ⑮ ⑯ ⑰

3



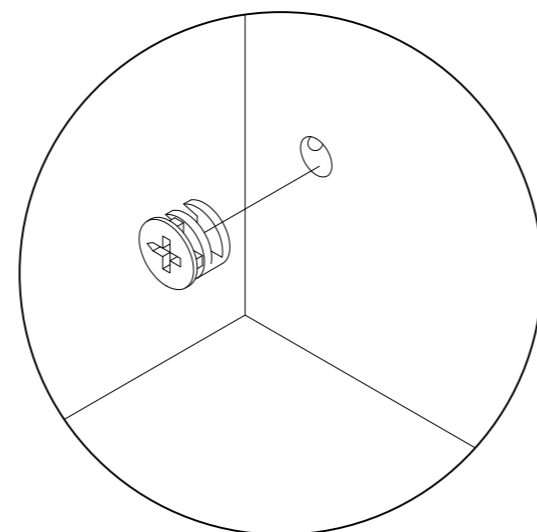
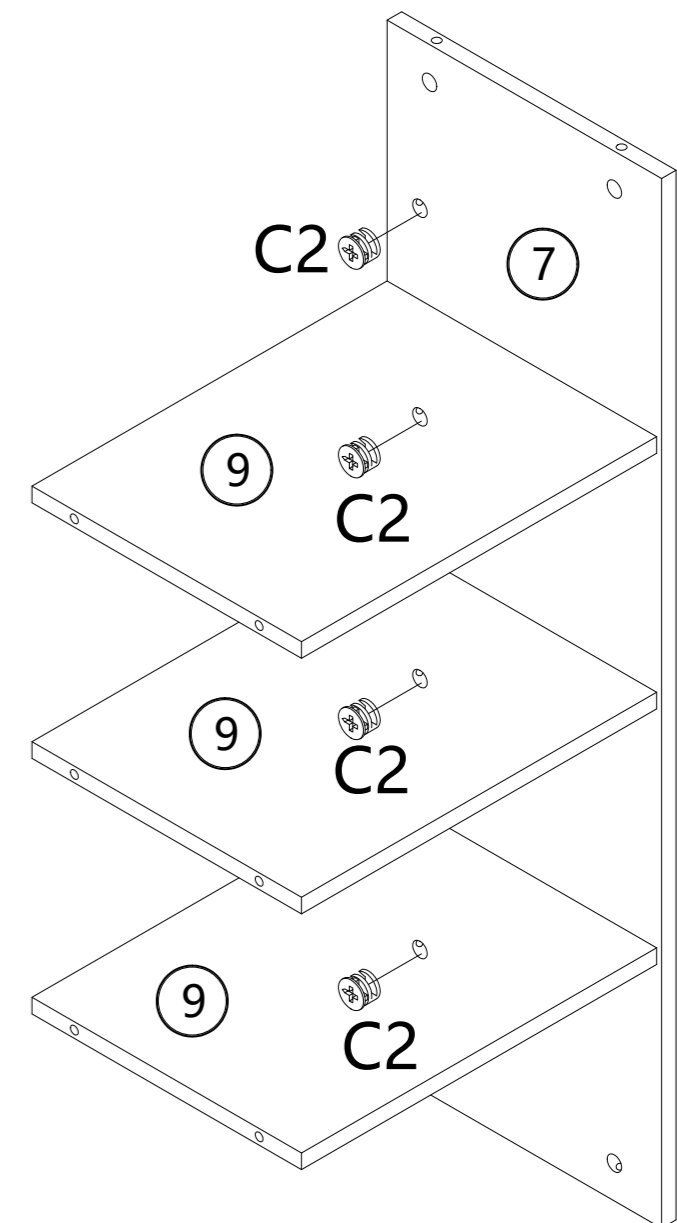
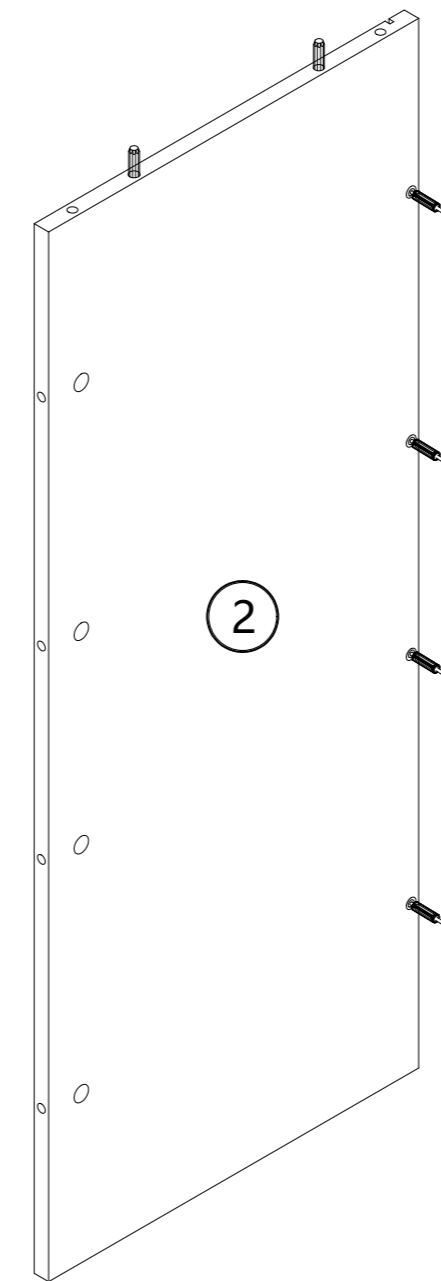
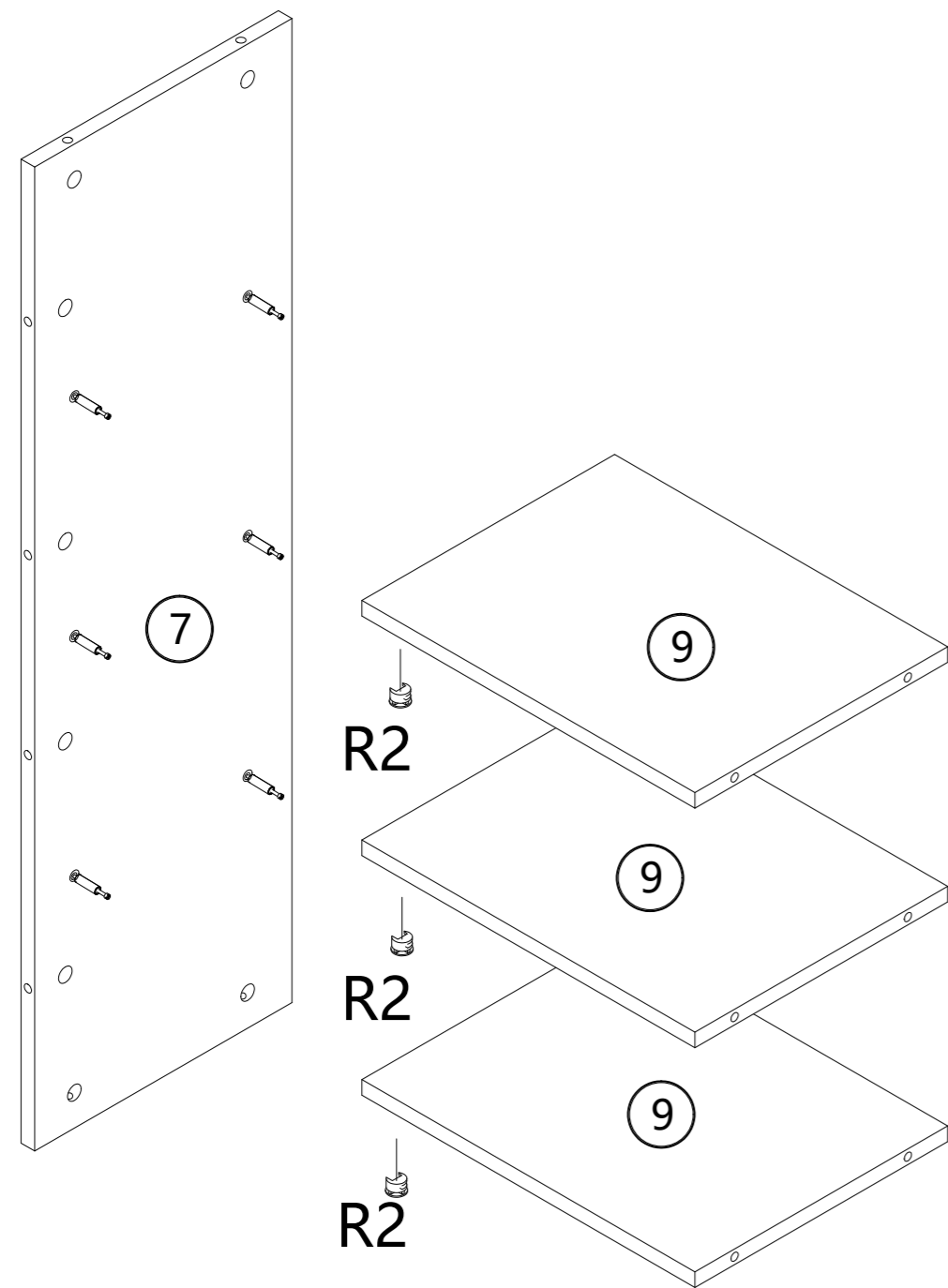
	R1*40
	G*1
	S*12

put R1 on board (24) (27) (29) (30)



put G on board (29)

put S on board (32) (33) (34) (35)

4



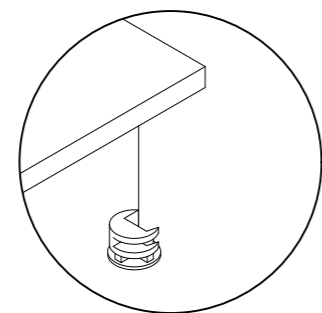
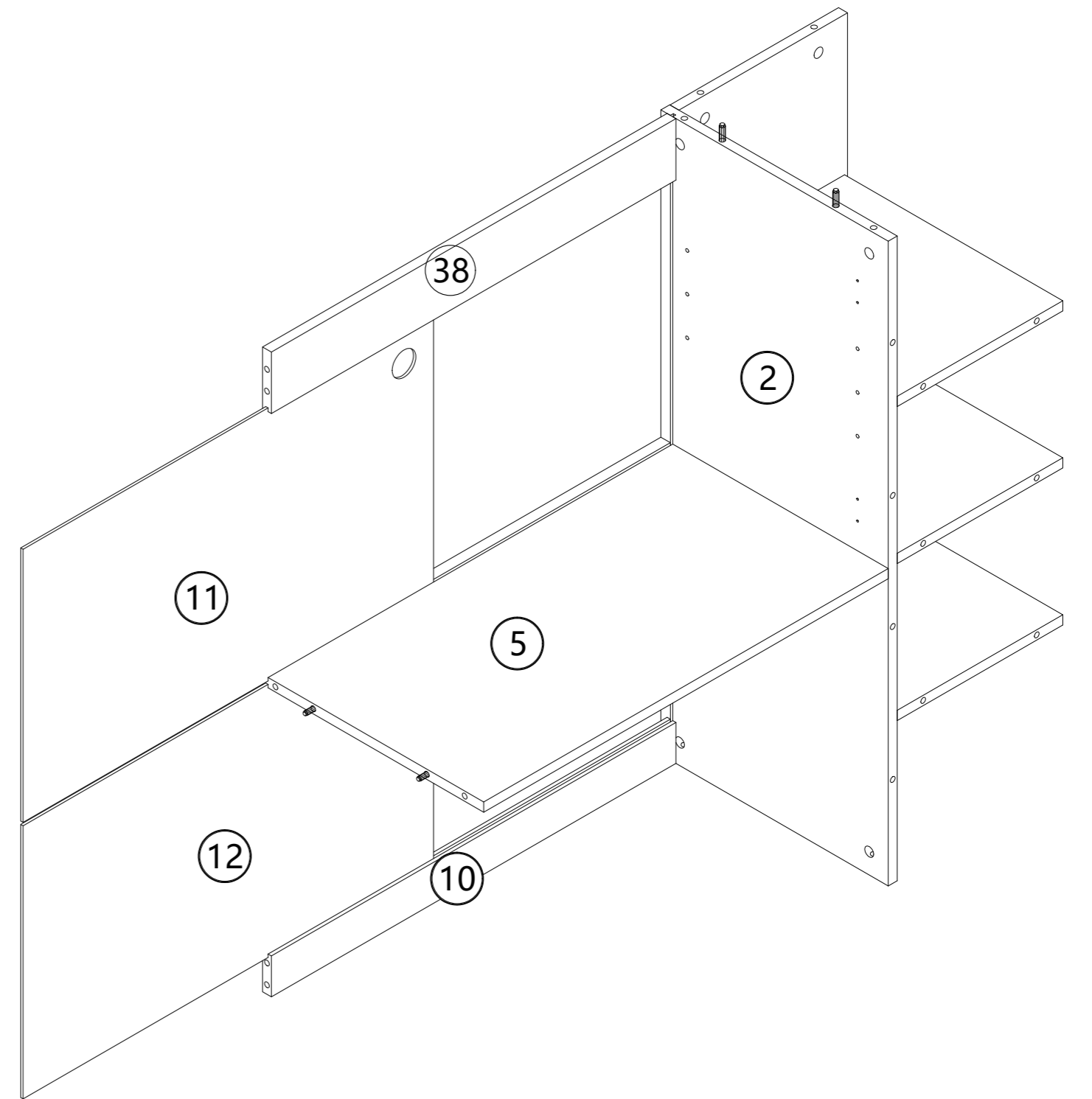
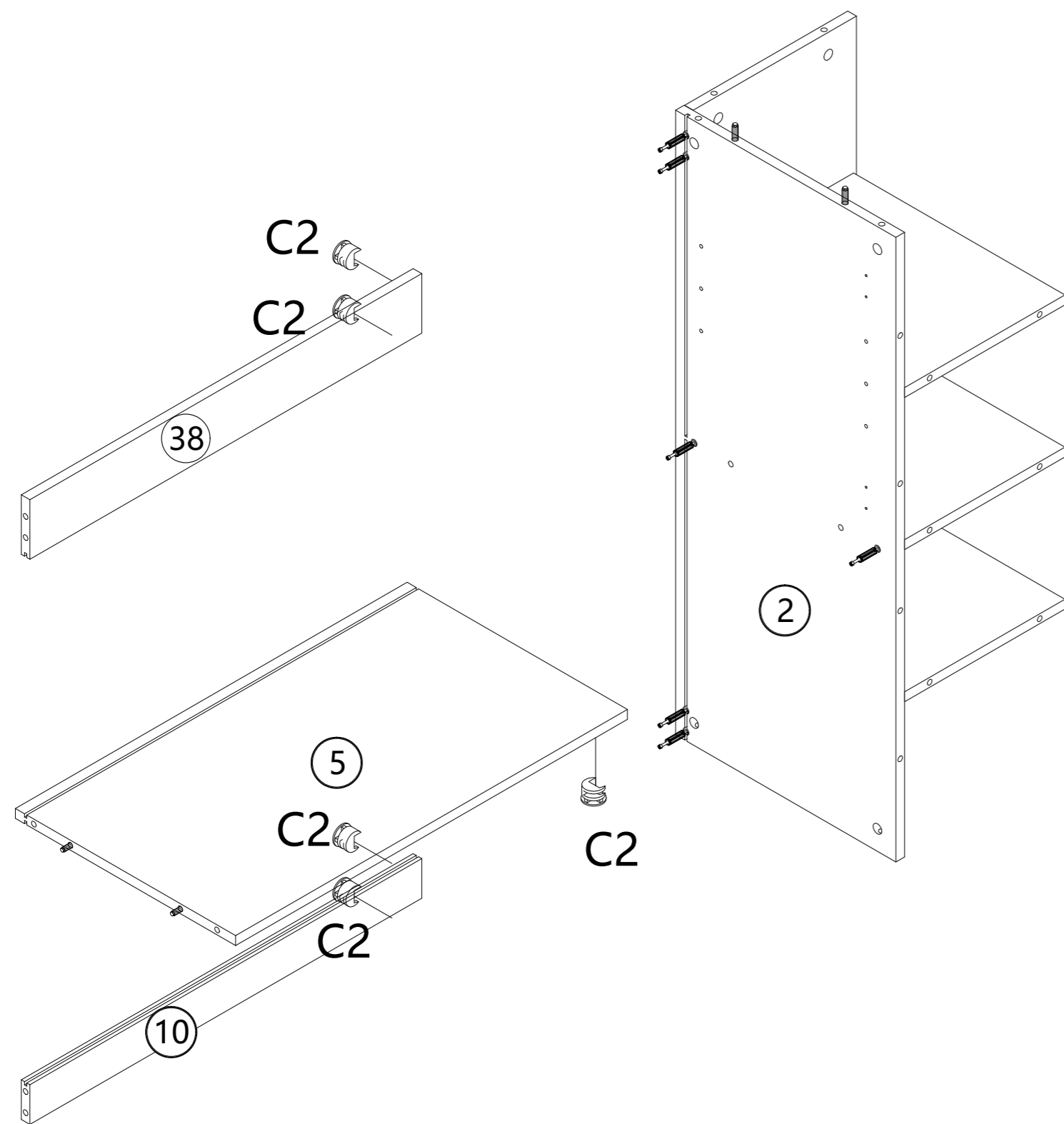
Make sure the arrow on the screw align to the hole on the side.

	R2*6
	C2*4

put R2 on board 9

put C2 on board 7

5



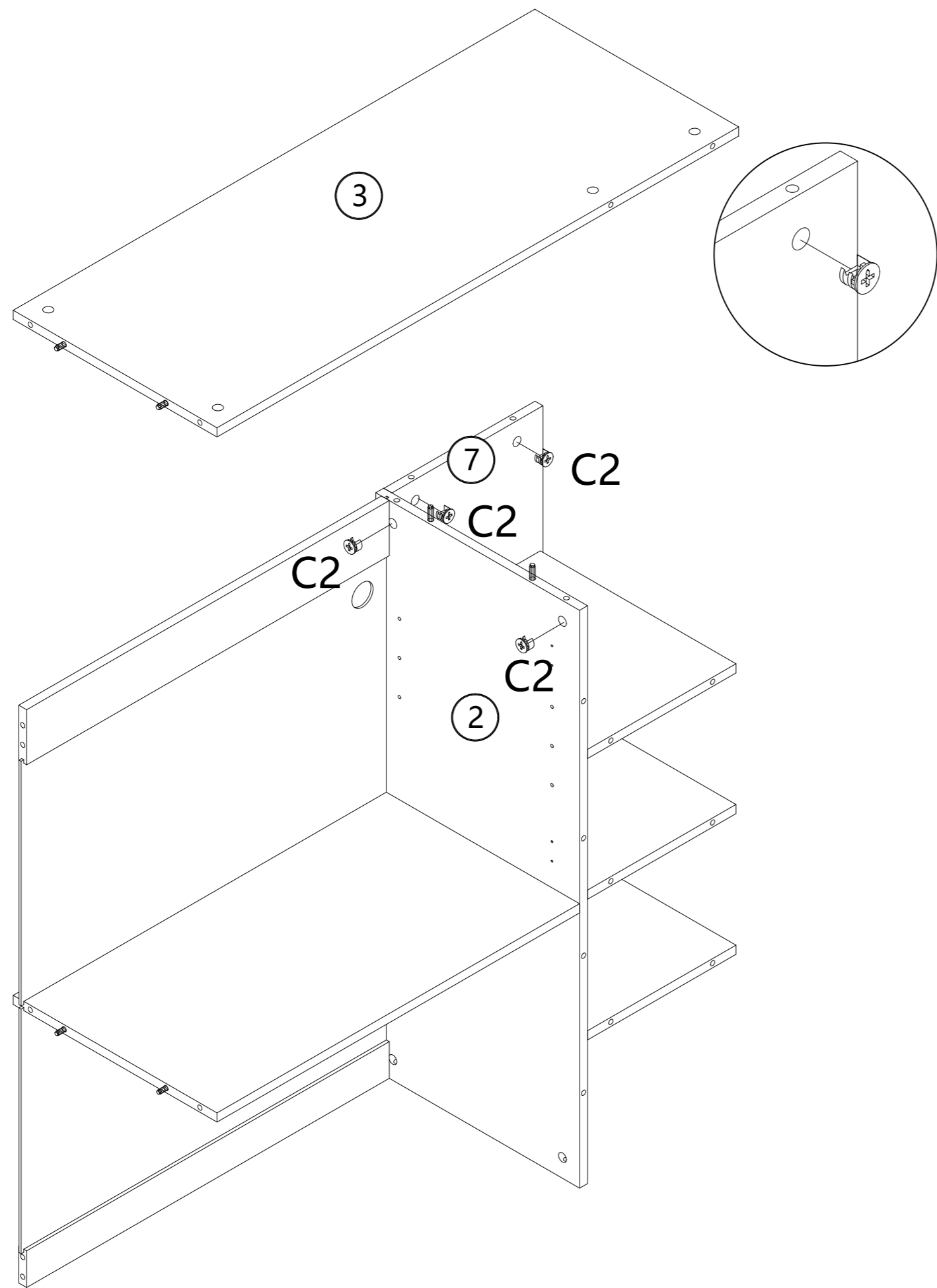
Make sure the arrow on the screw align to the hole on the side.



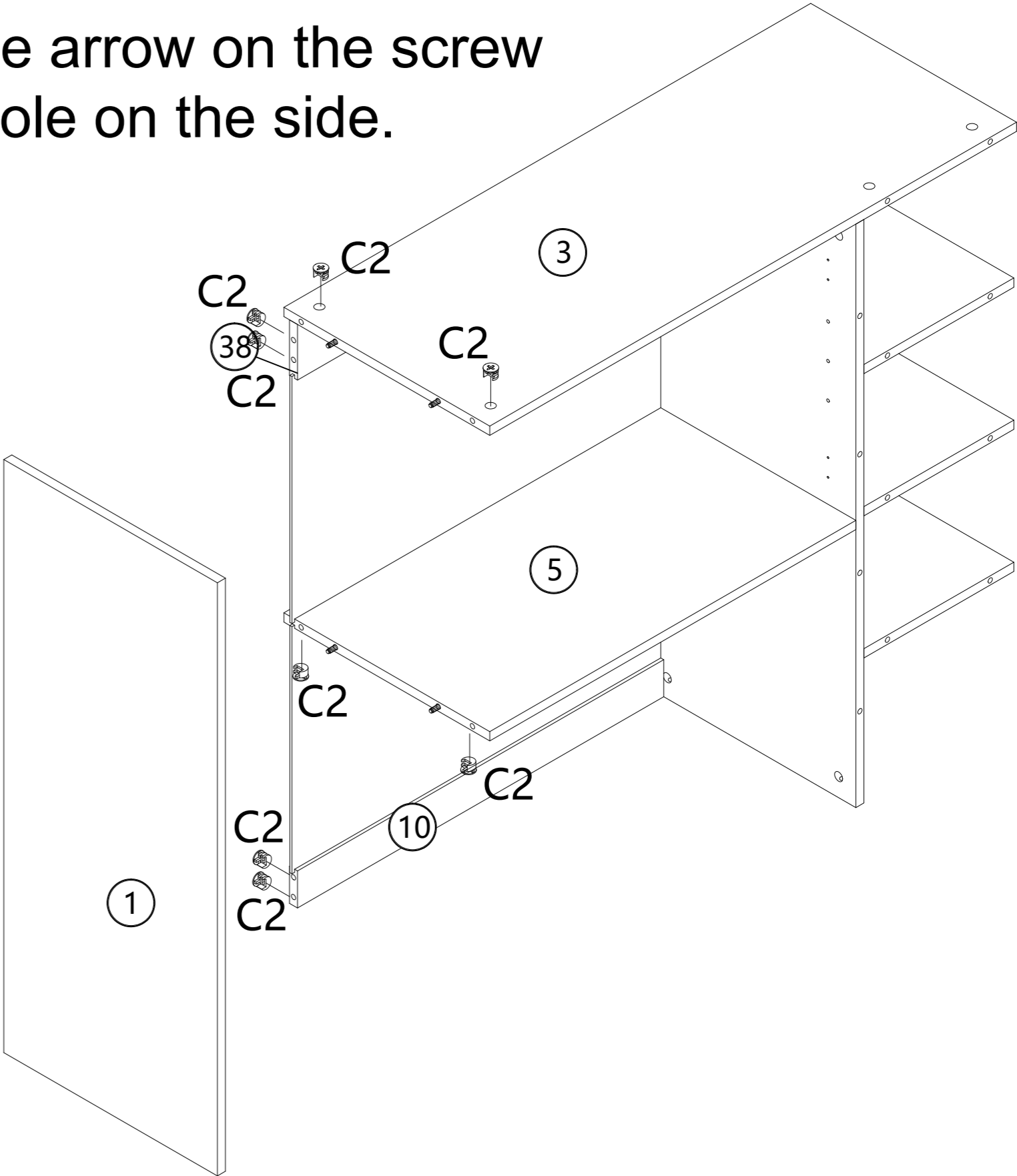
C2*6

put C2 on board 5 10 38

6



Make sure the arrow on the screw align to the hole on the side.

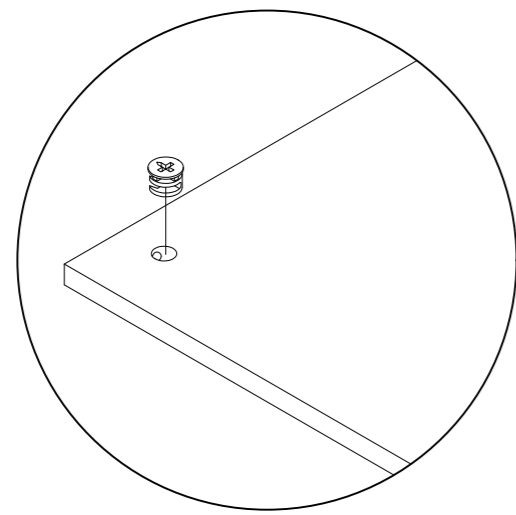


C2*12

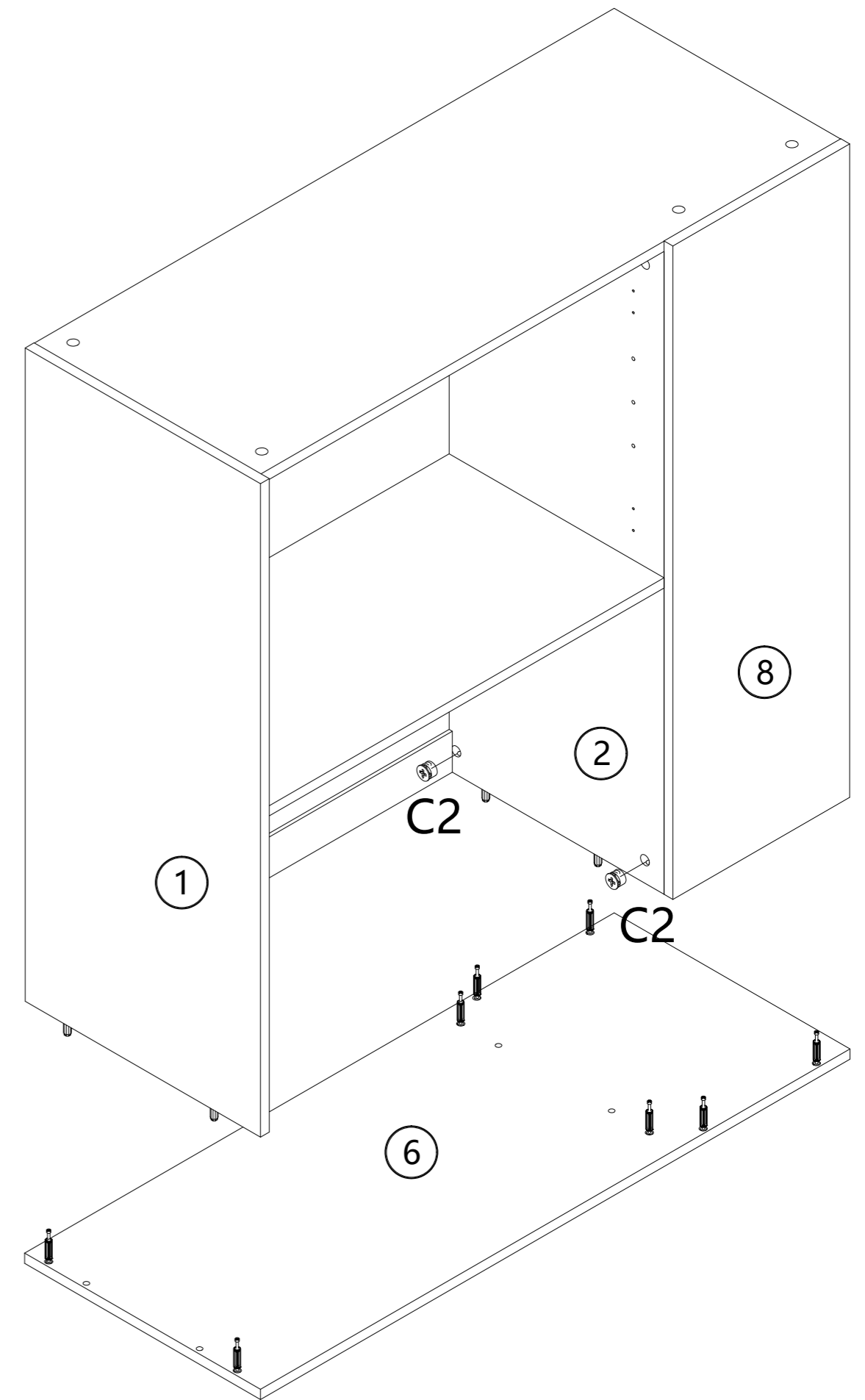
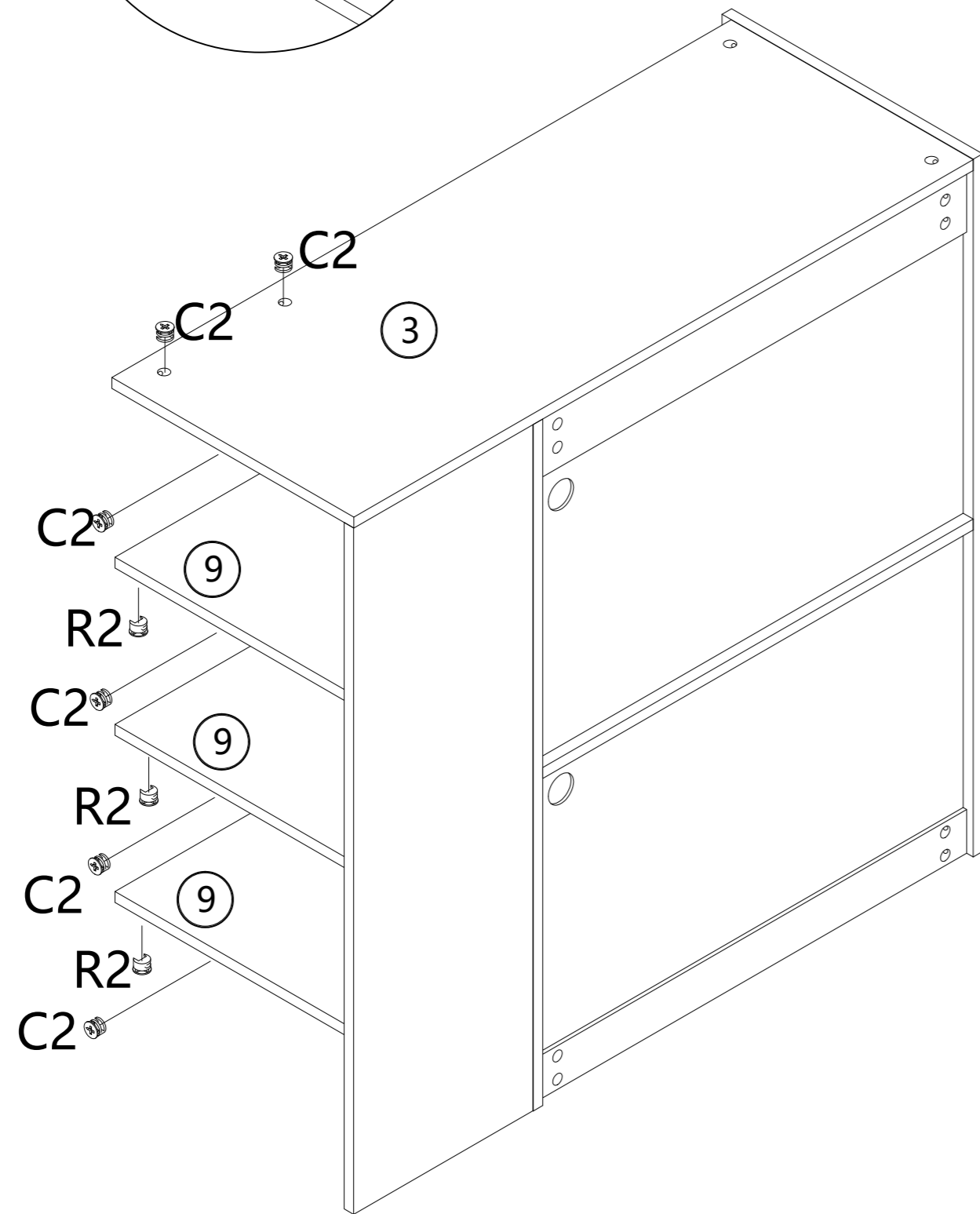
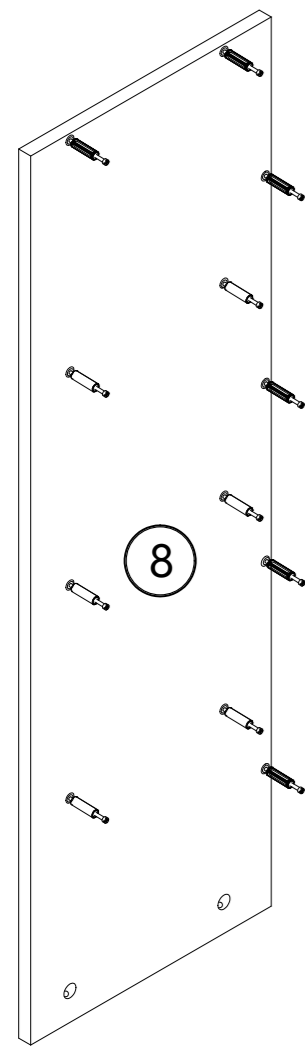
put C2 on board ② ③ ⑤ ⑦ ⑩ ③⑧





7



Make sure the arrow on the screw align to the hole on the side.

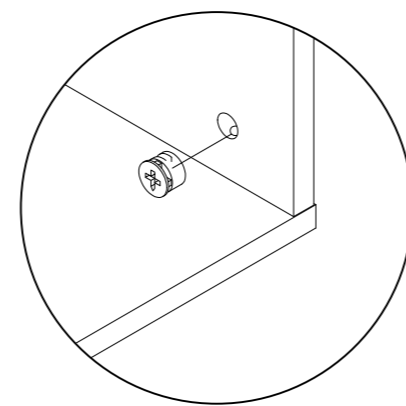
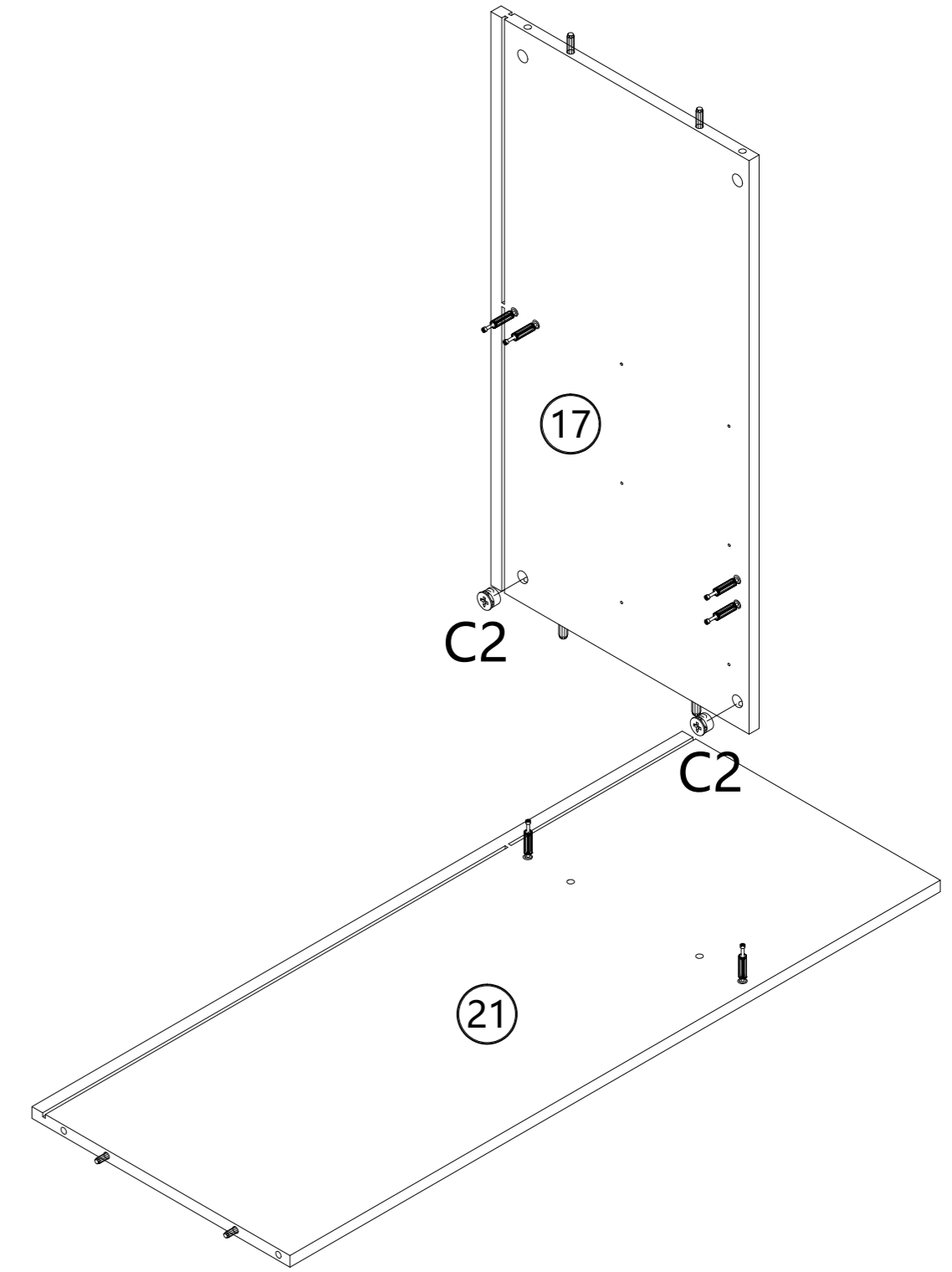
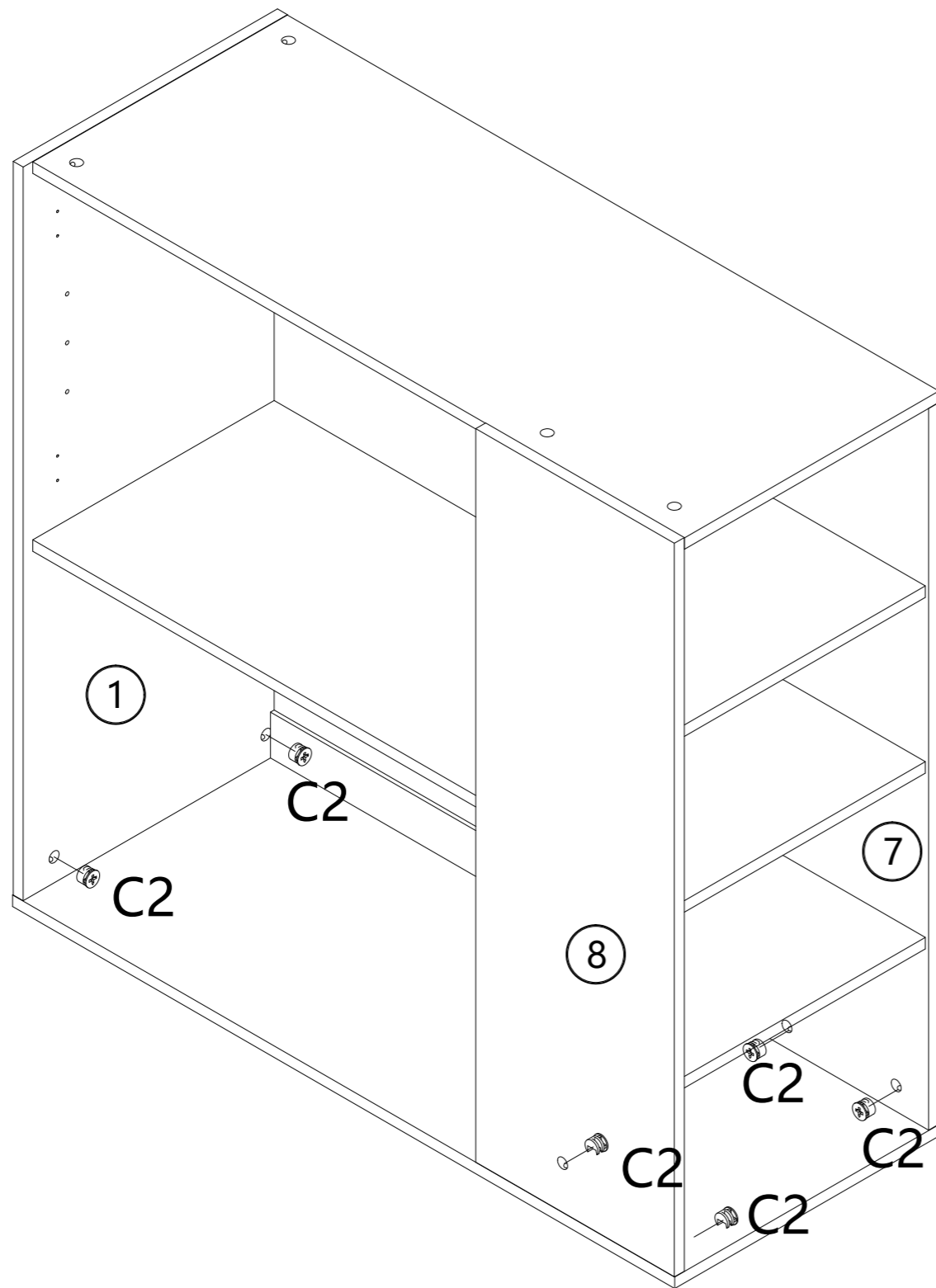


	R2*6
	C2*8

put R2 on board (9)

put C2 on board (2) (3)

8



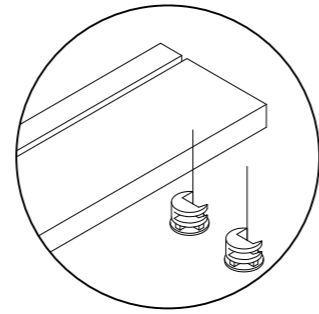
Make sure the arrow on the screw align to the hole on the side.



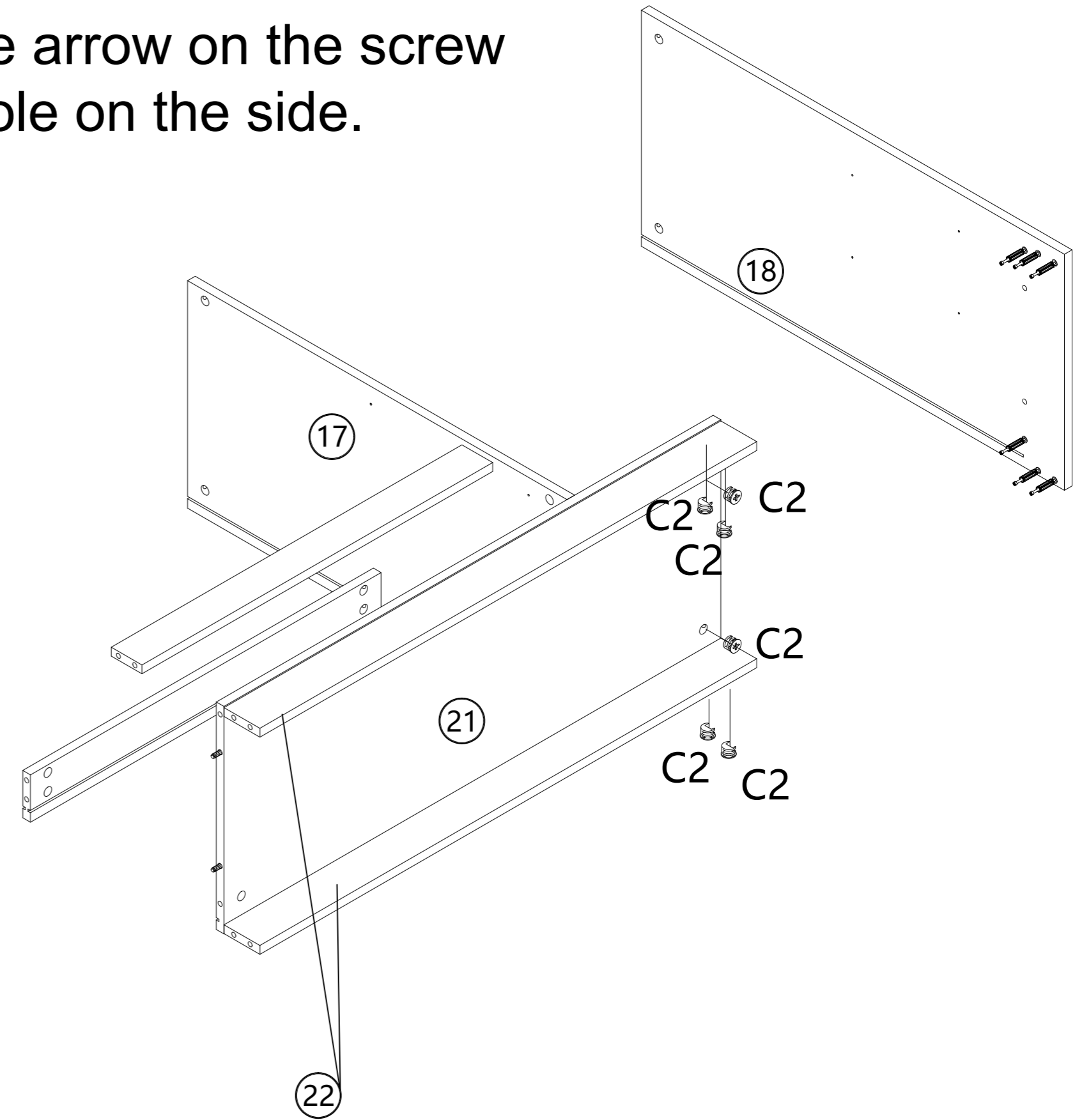
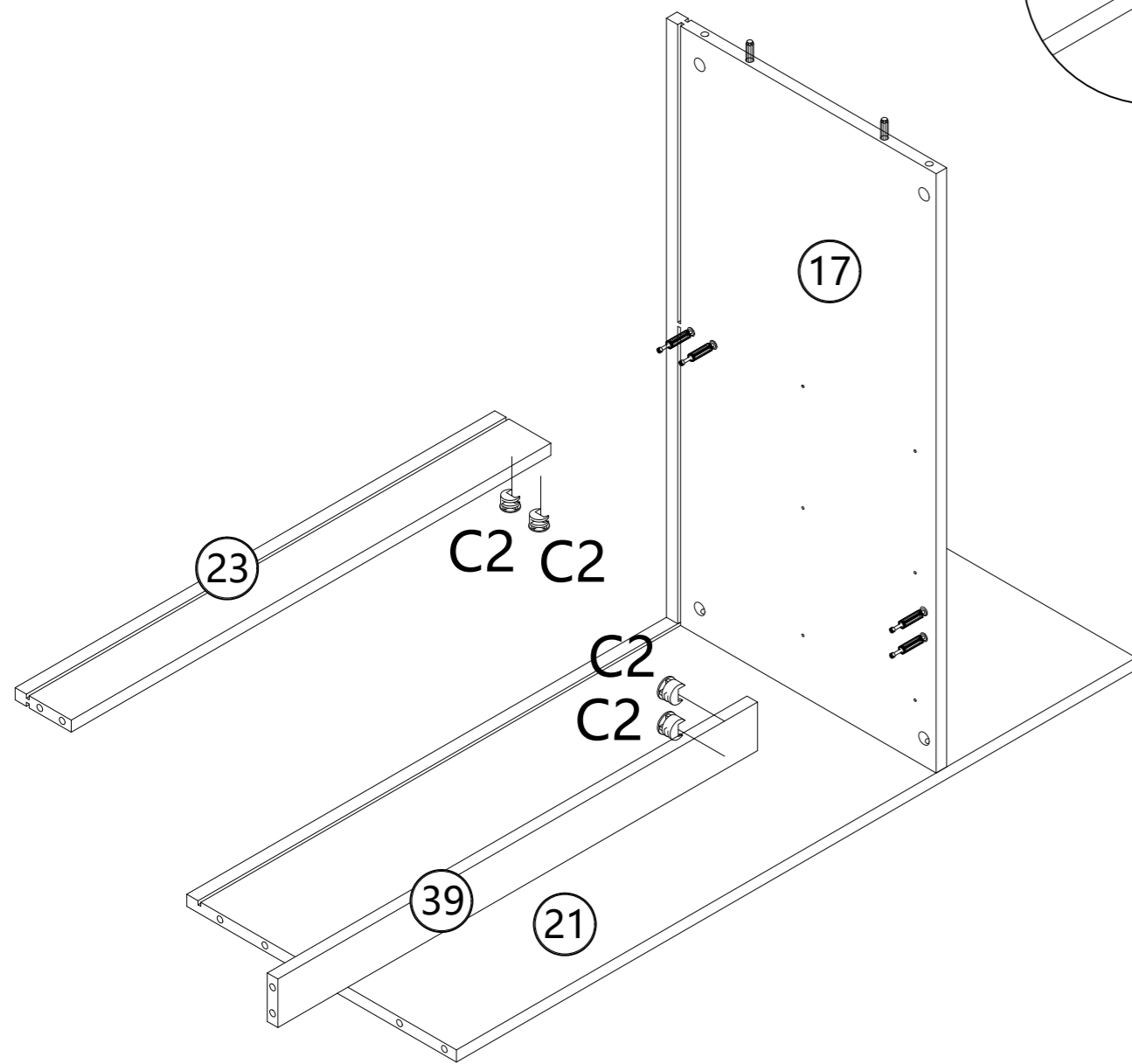
C2*8

put C2 on board ① ⑦ ⑧ ⑰

9



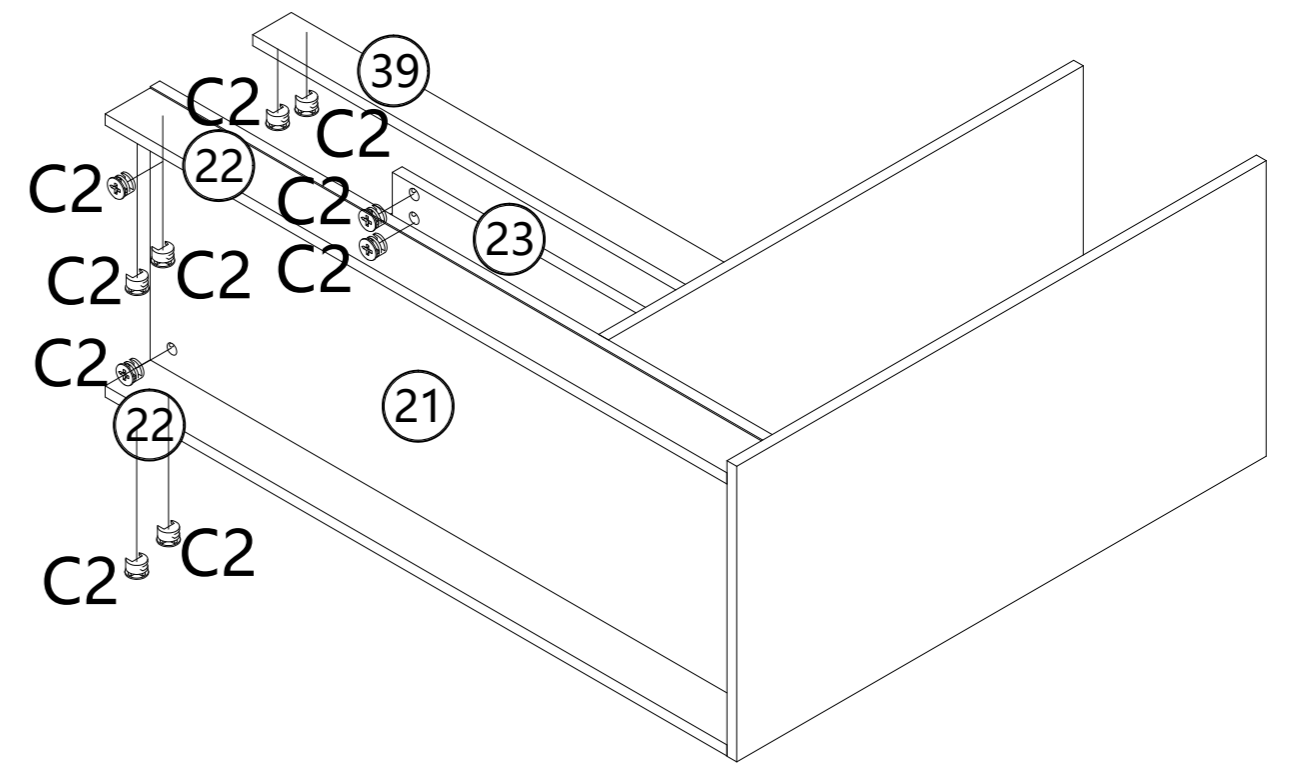
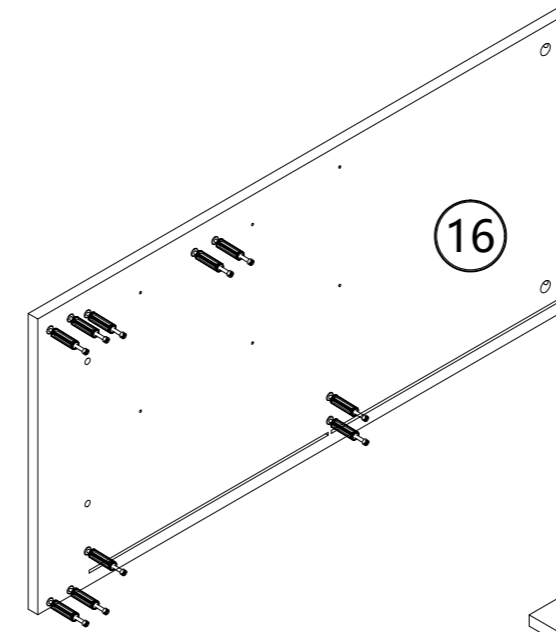
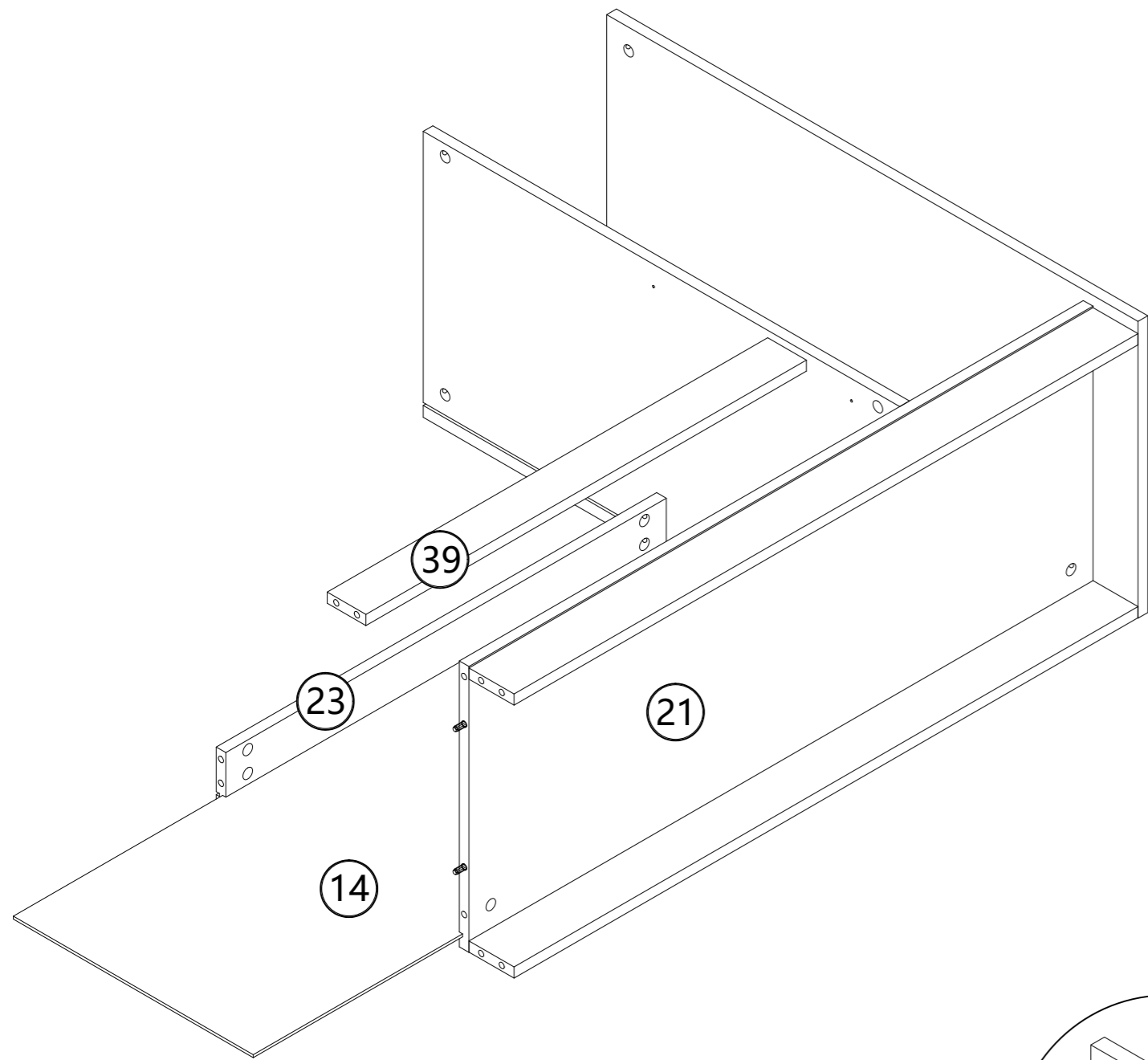
Make sure the arrow on the screw align to the hole on the side.



C2*10

put C2 on board (21) (22) (23) (39)

10



Make sure the arrow on the screw align to the hole on the side.

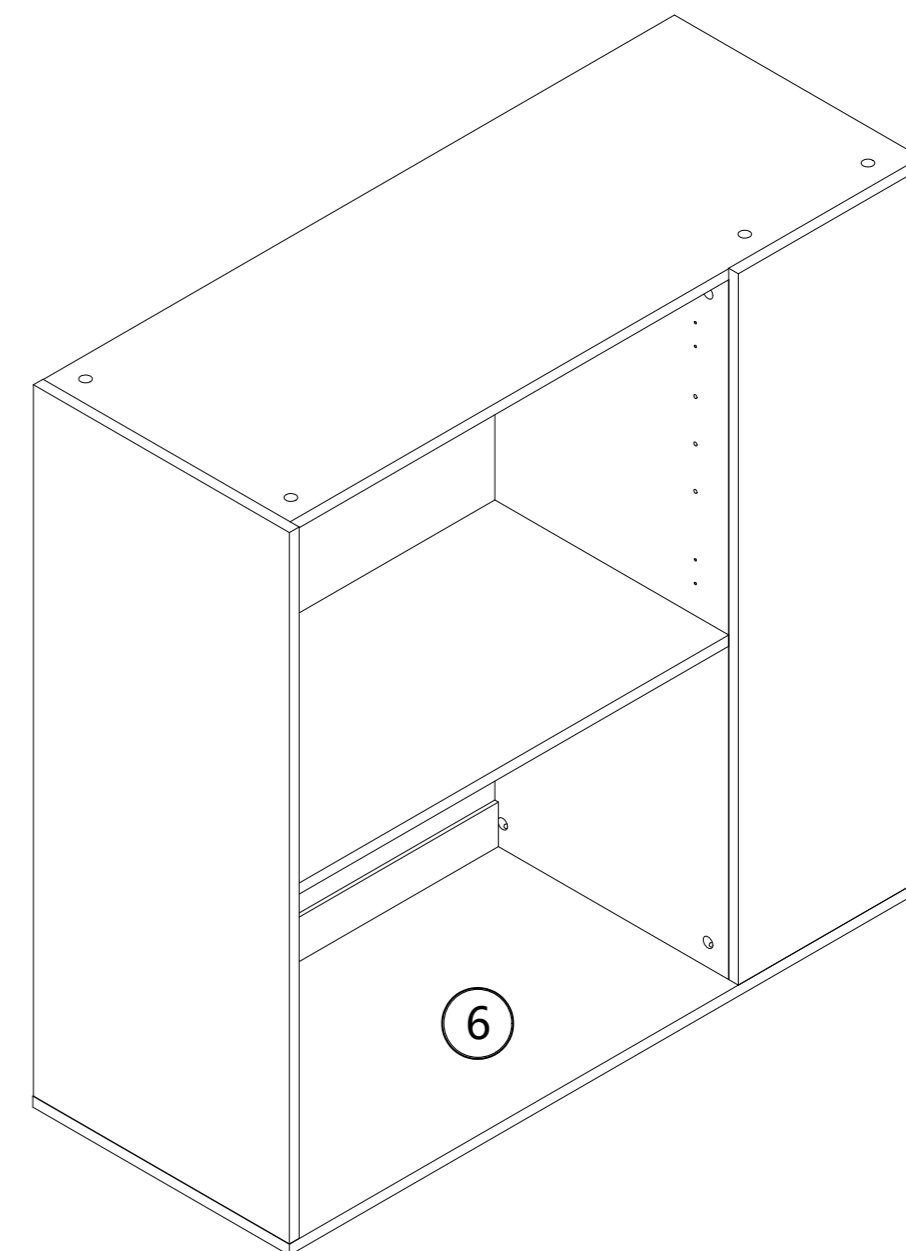
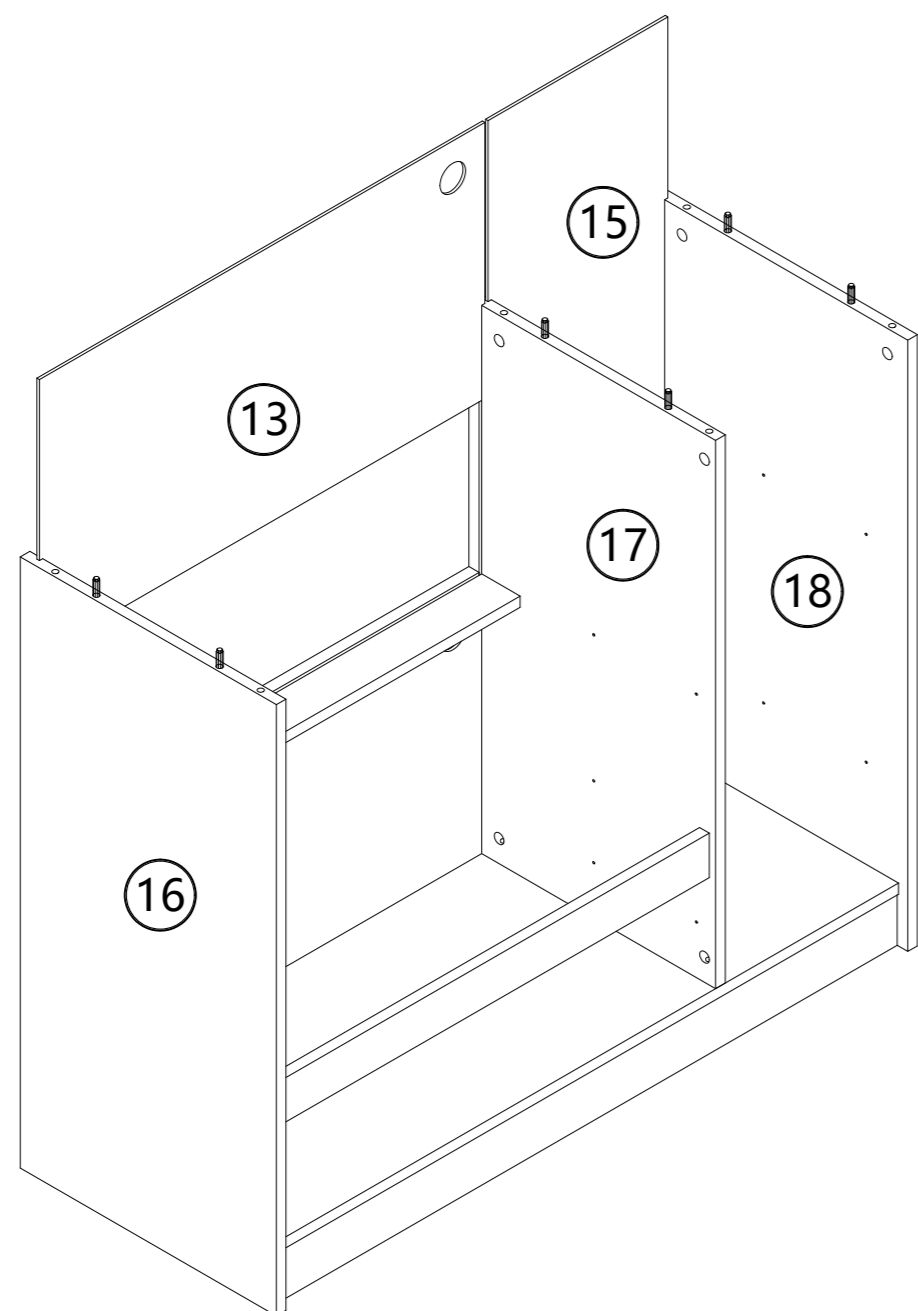


C2*10

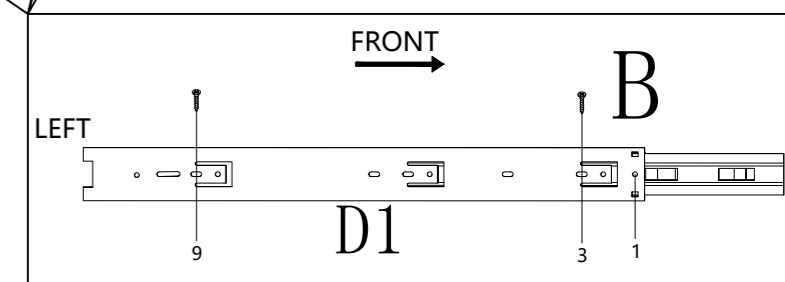
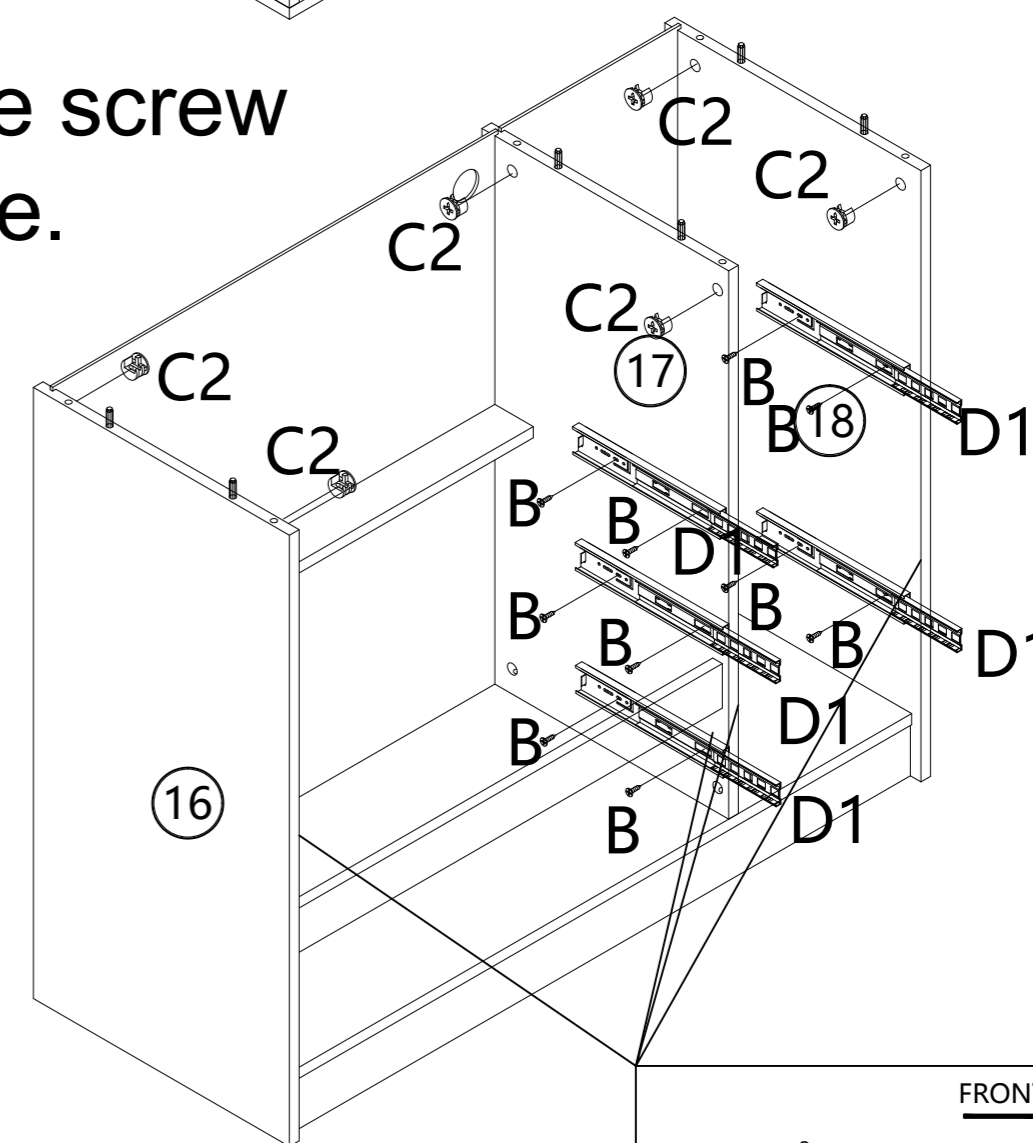
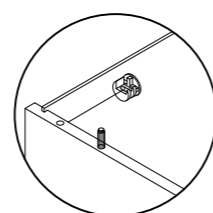
put C2 on board

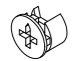


(21) (22) (23) (39)

11



Make sure the arrow on the screw align to the hole on the side.



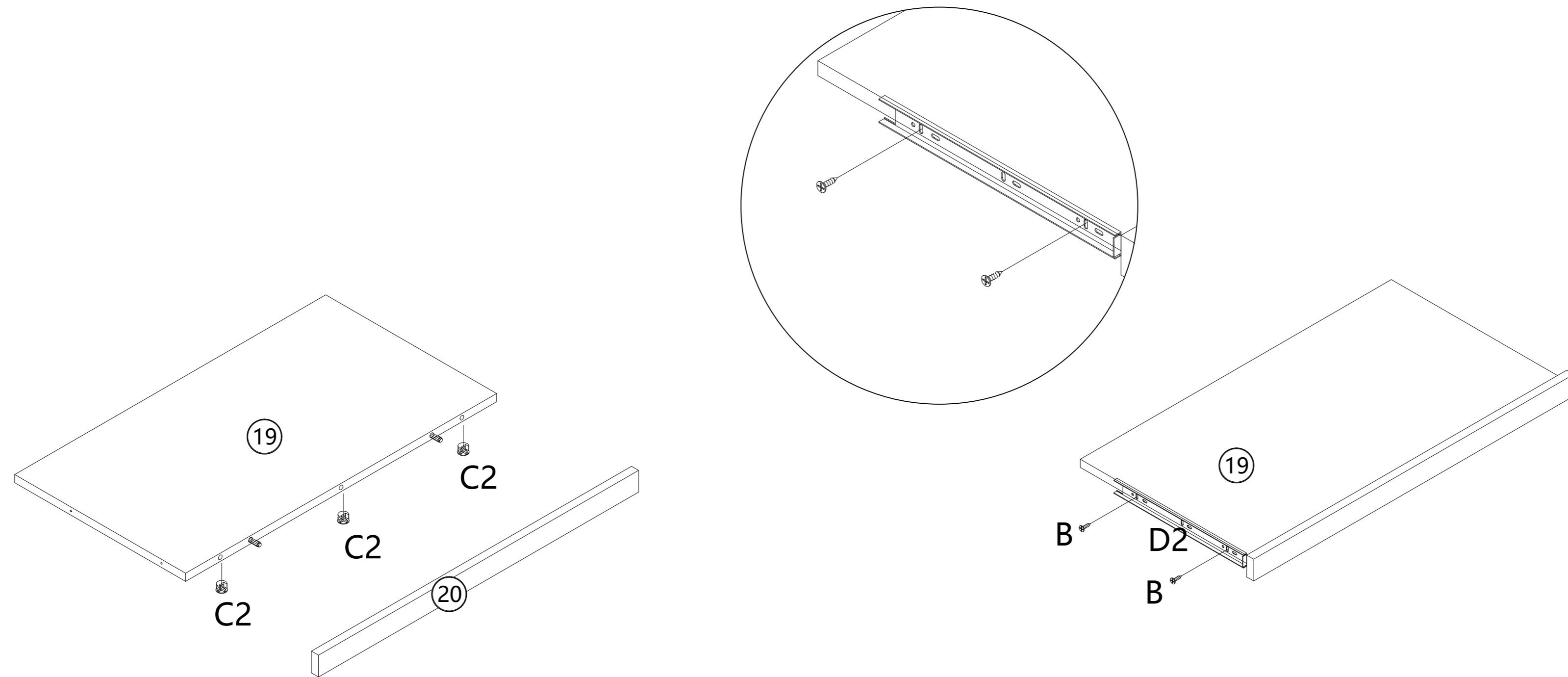
	C2*6
	B*20
	D1*10


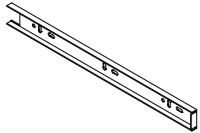

put C2 on board (16) (17) (18)

put B on board (16) (17) (18)

put D1 on board (16) (17) (18)

12



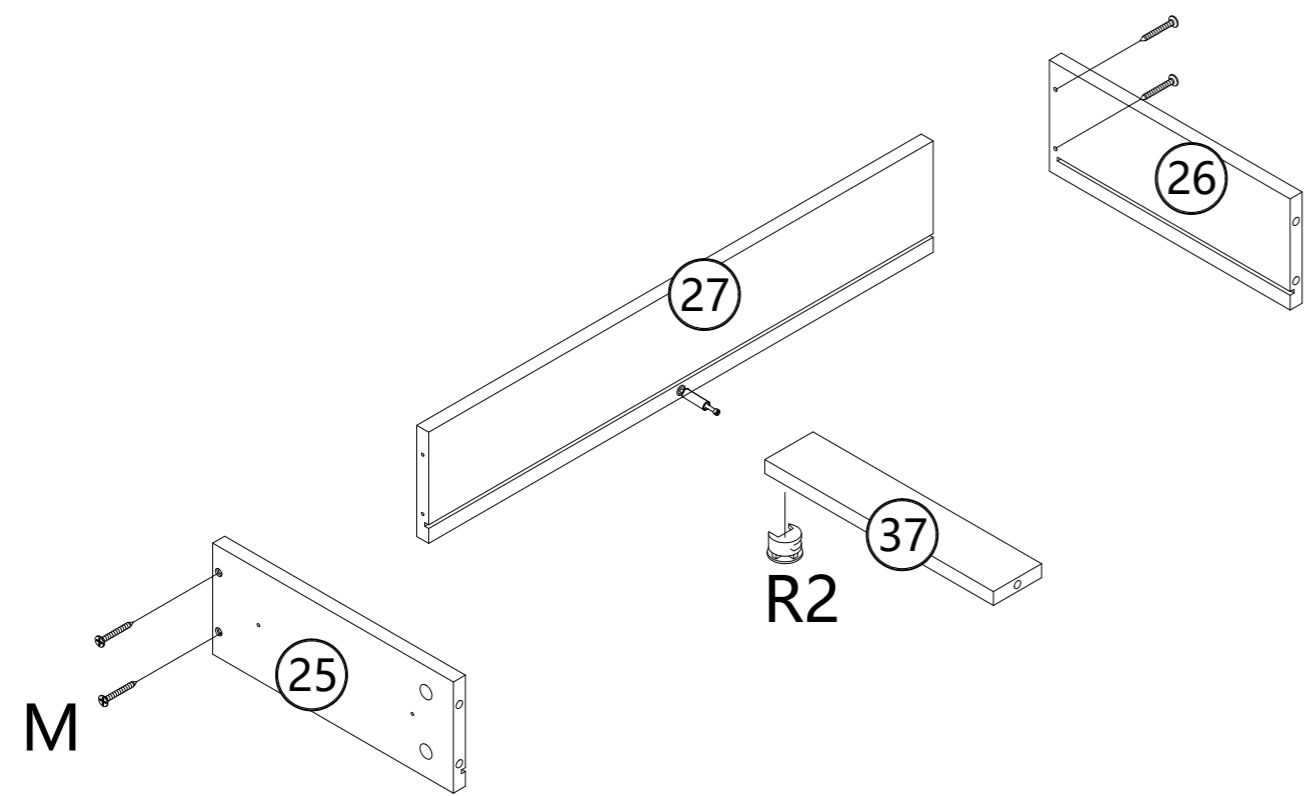
	B*4
	D2*2
	C2*3

put B on board (19)

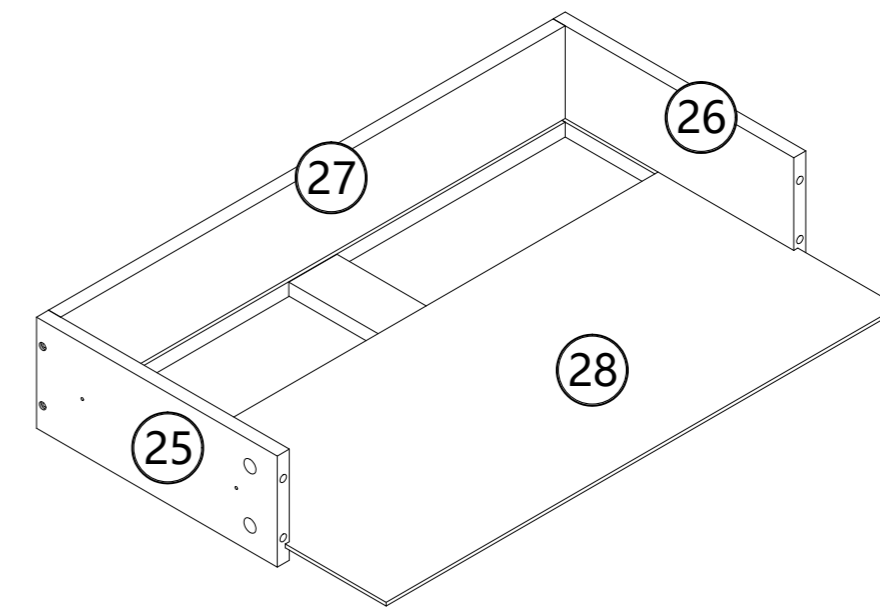
put D2 on board (19)

put C2 on board (19)

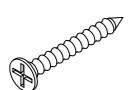

13



X2



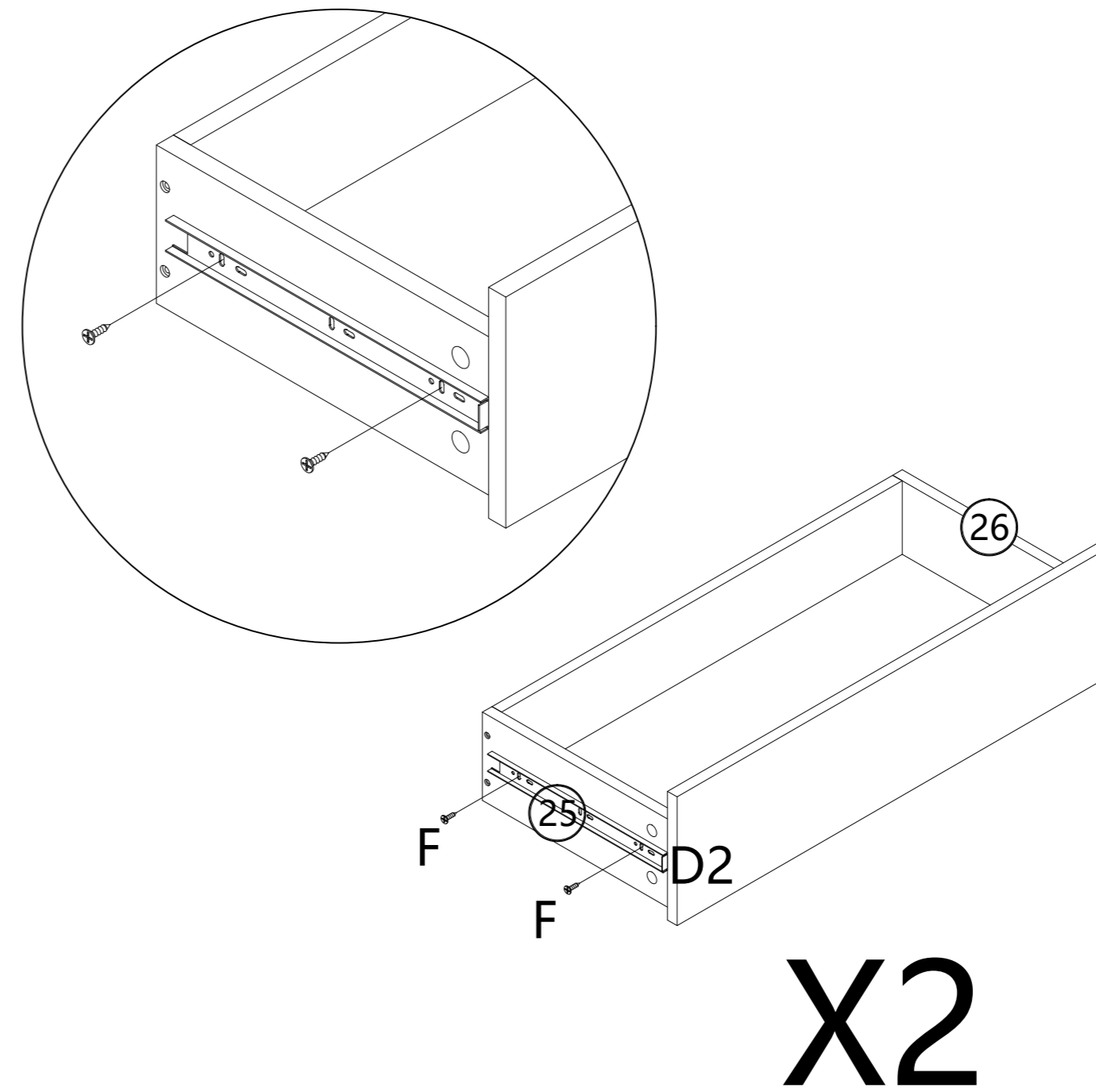
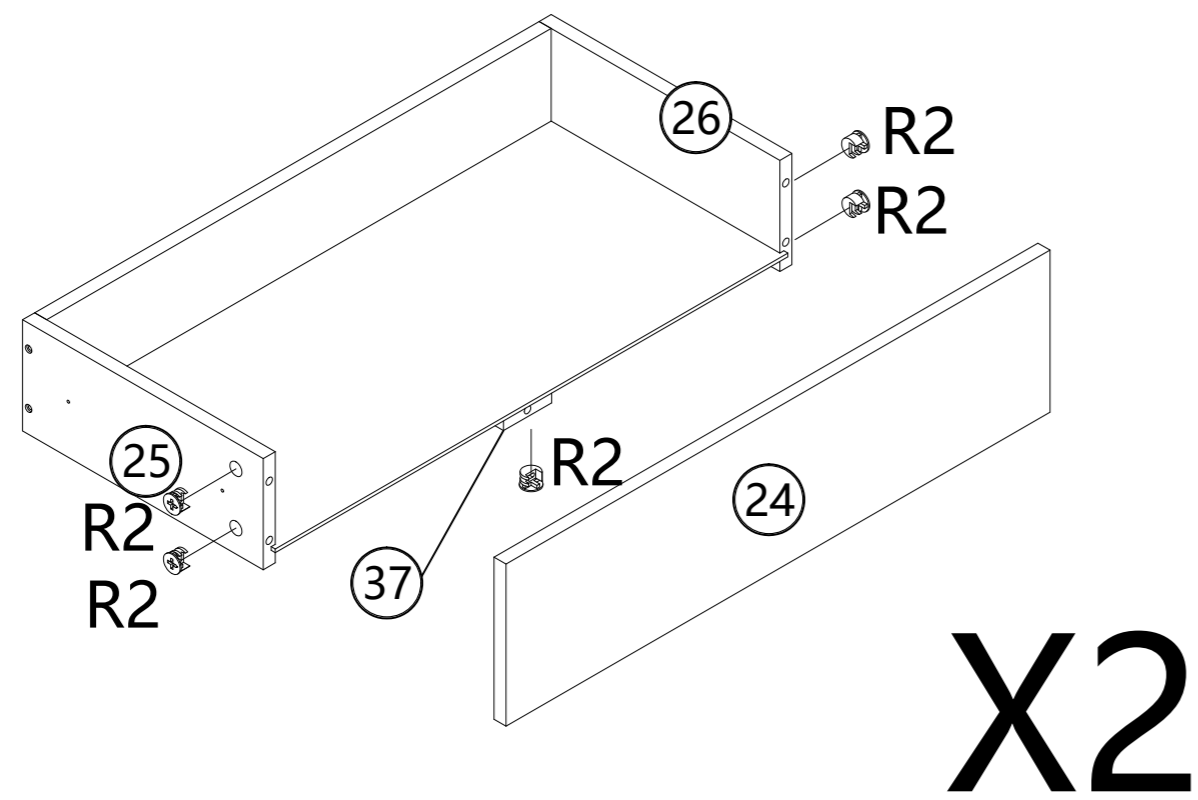
X2


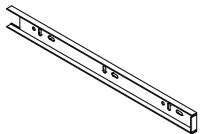

	M*8
	R2*2

put M on board (25) (26)

put R2 on board (37)

14



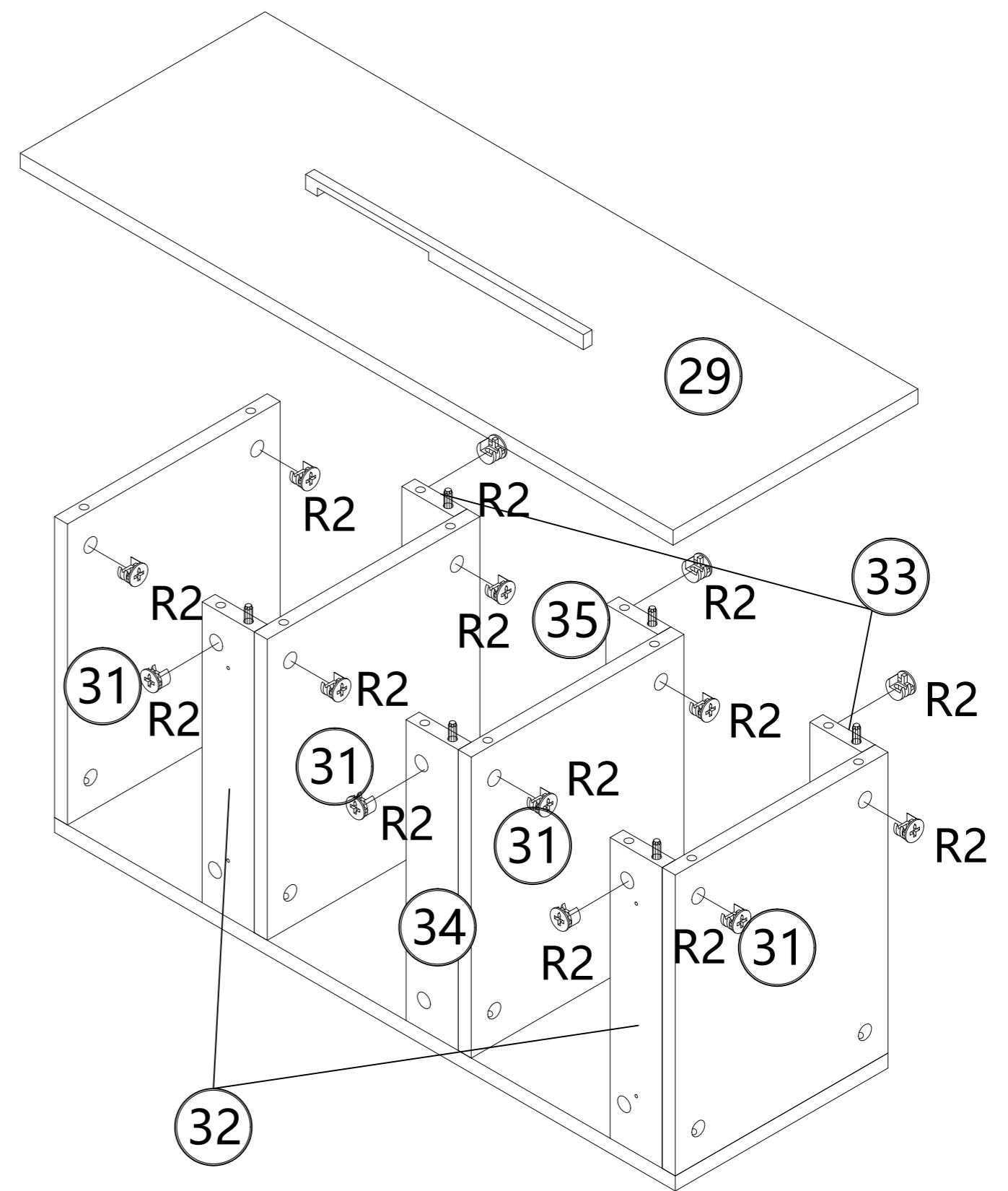
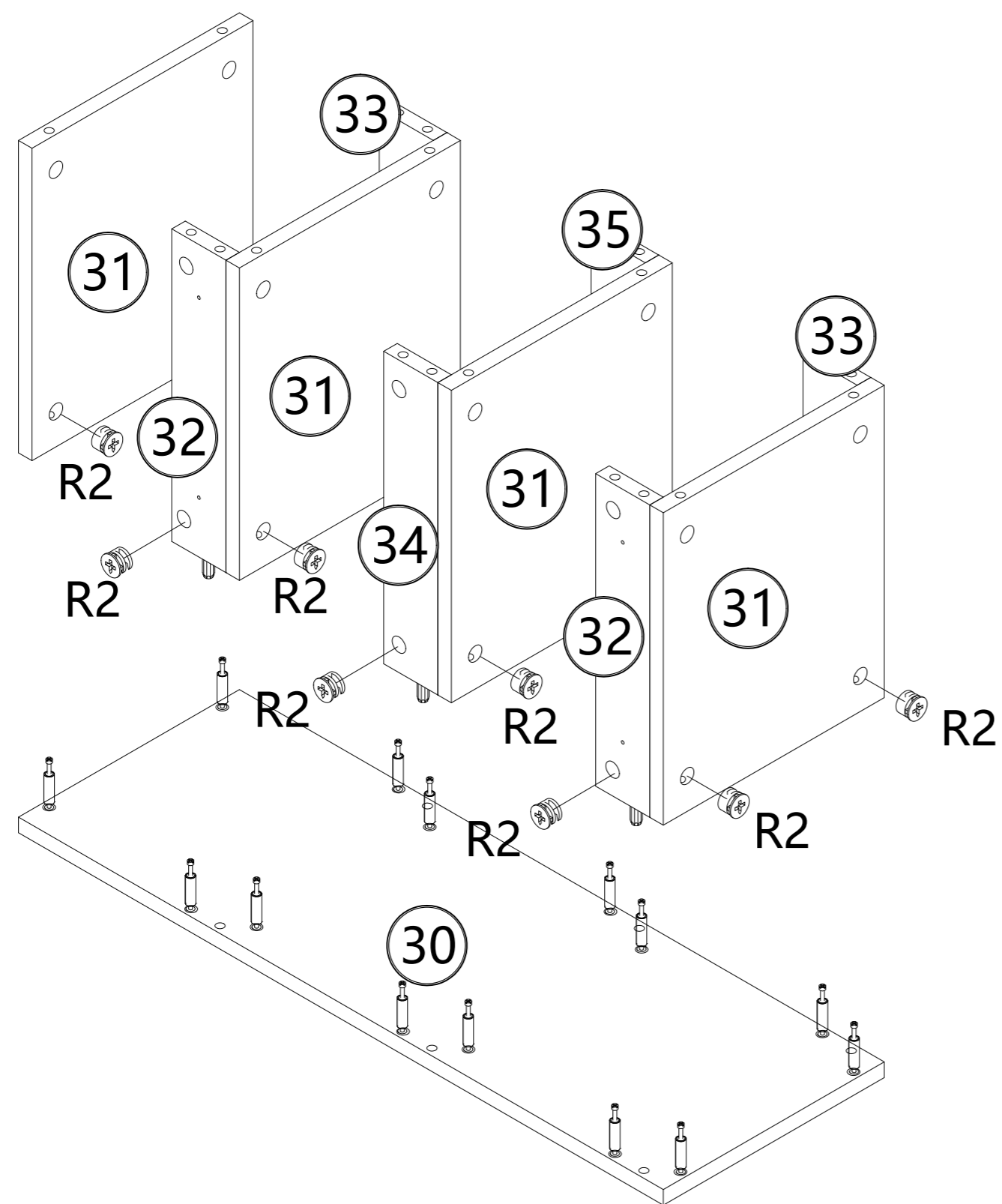
	F*8
	D2*4
	R2*10

put F on board (25) (26)

put D2 on board (25) (26)

put R2 on board (25) (26) (37)

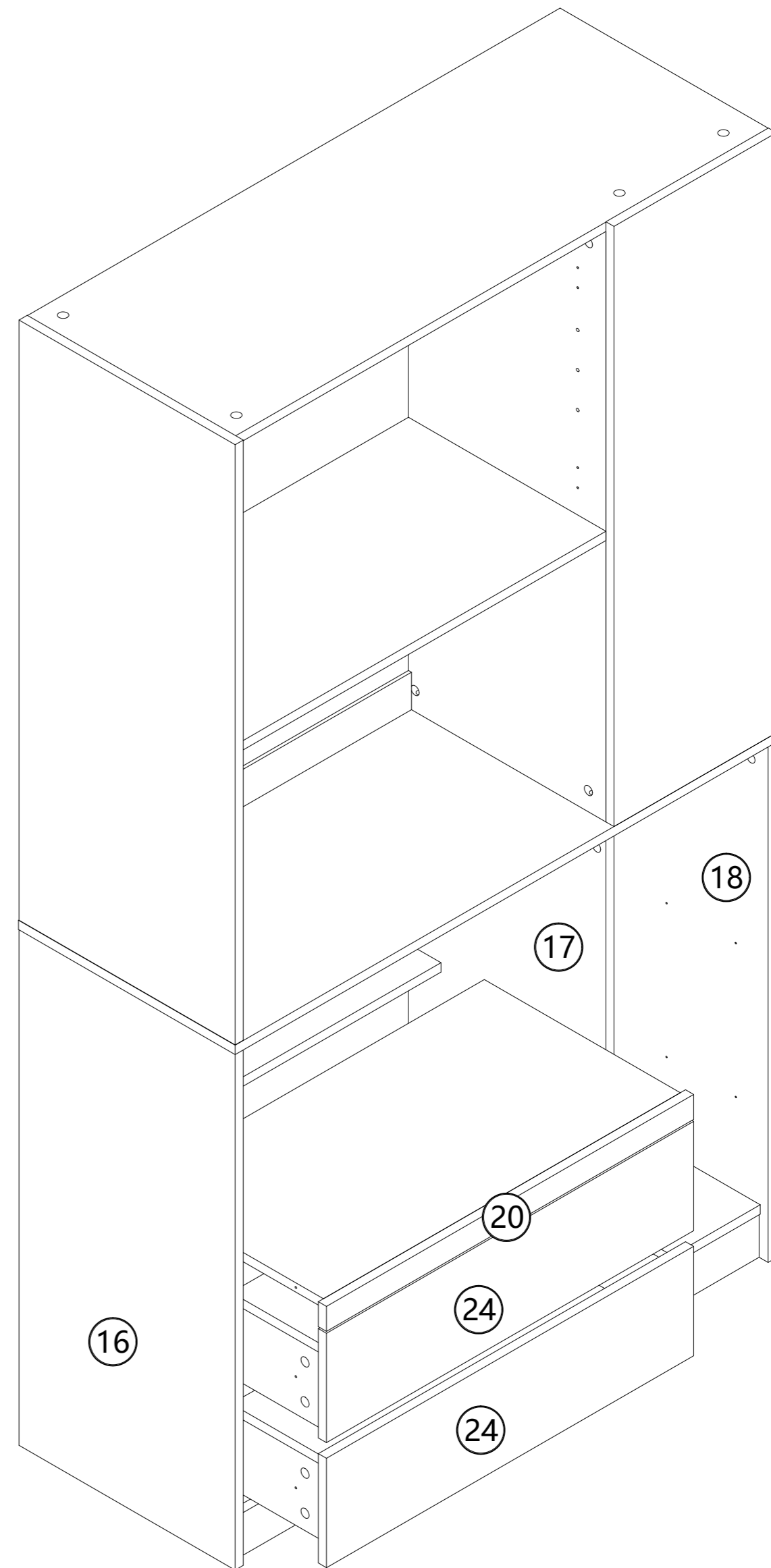
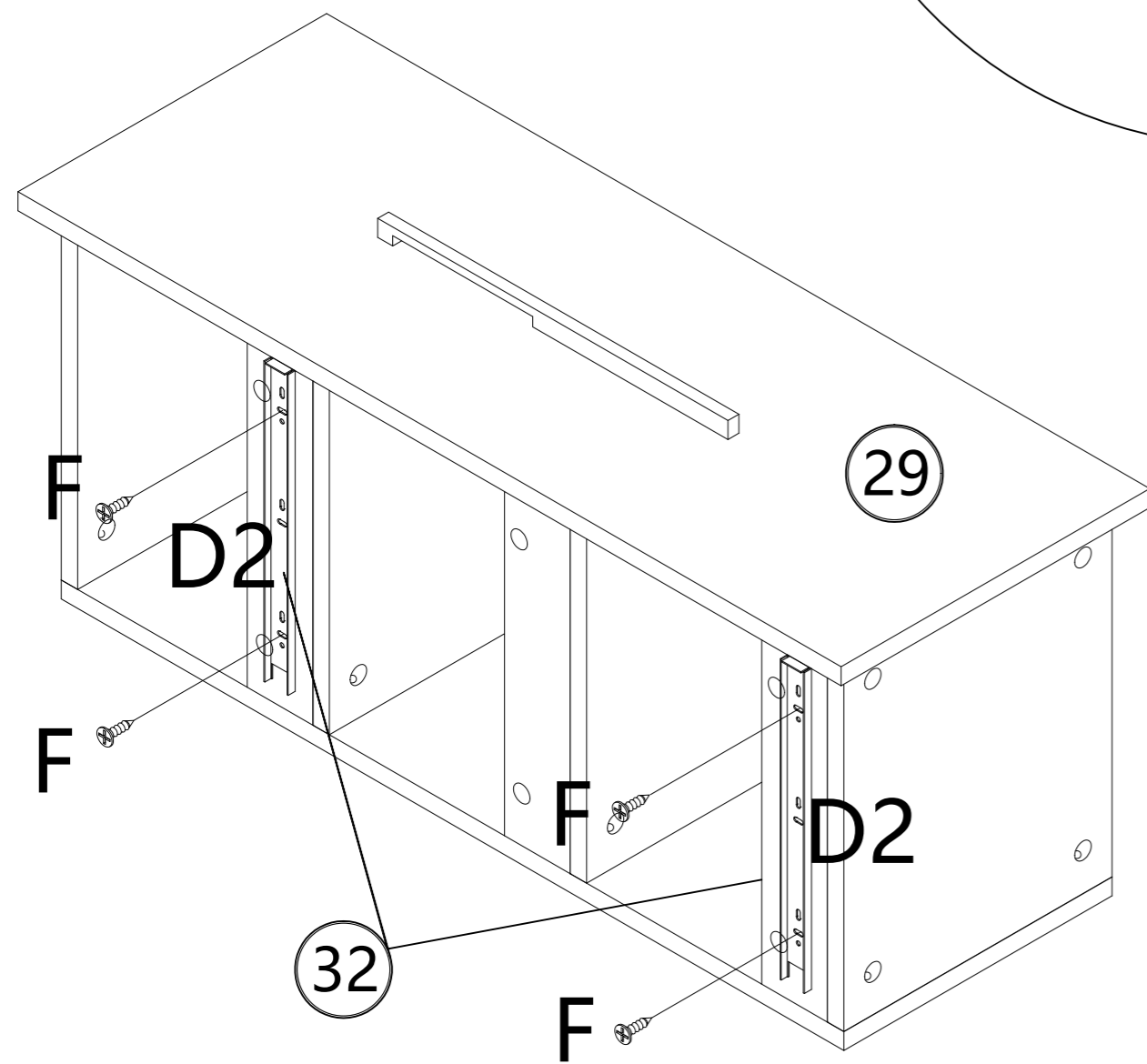
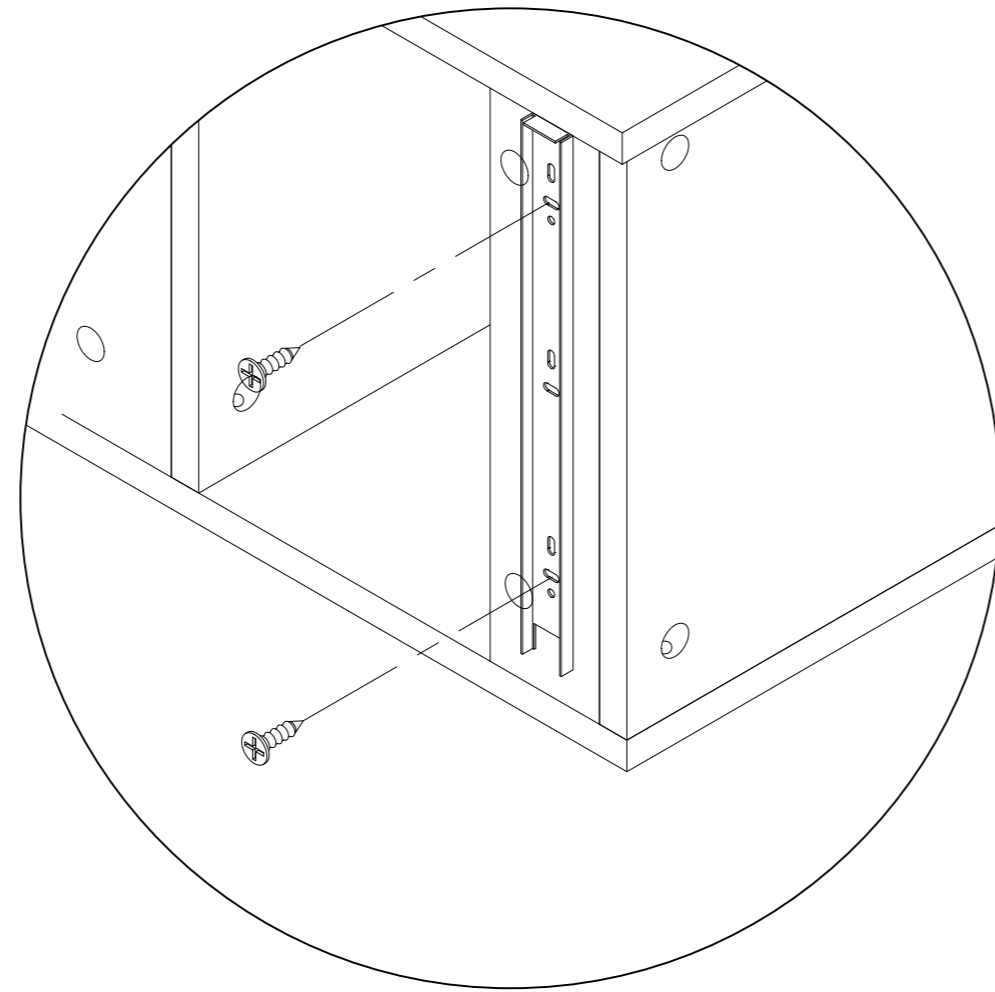
15


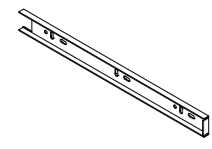


R2*28

put R2 on board (31) (32) (33) (34) (35)

16

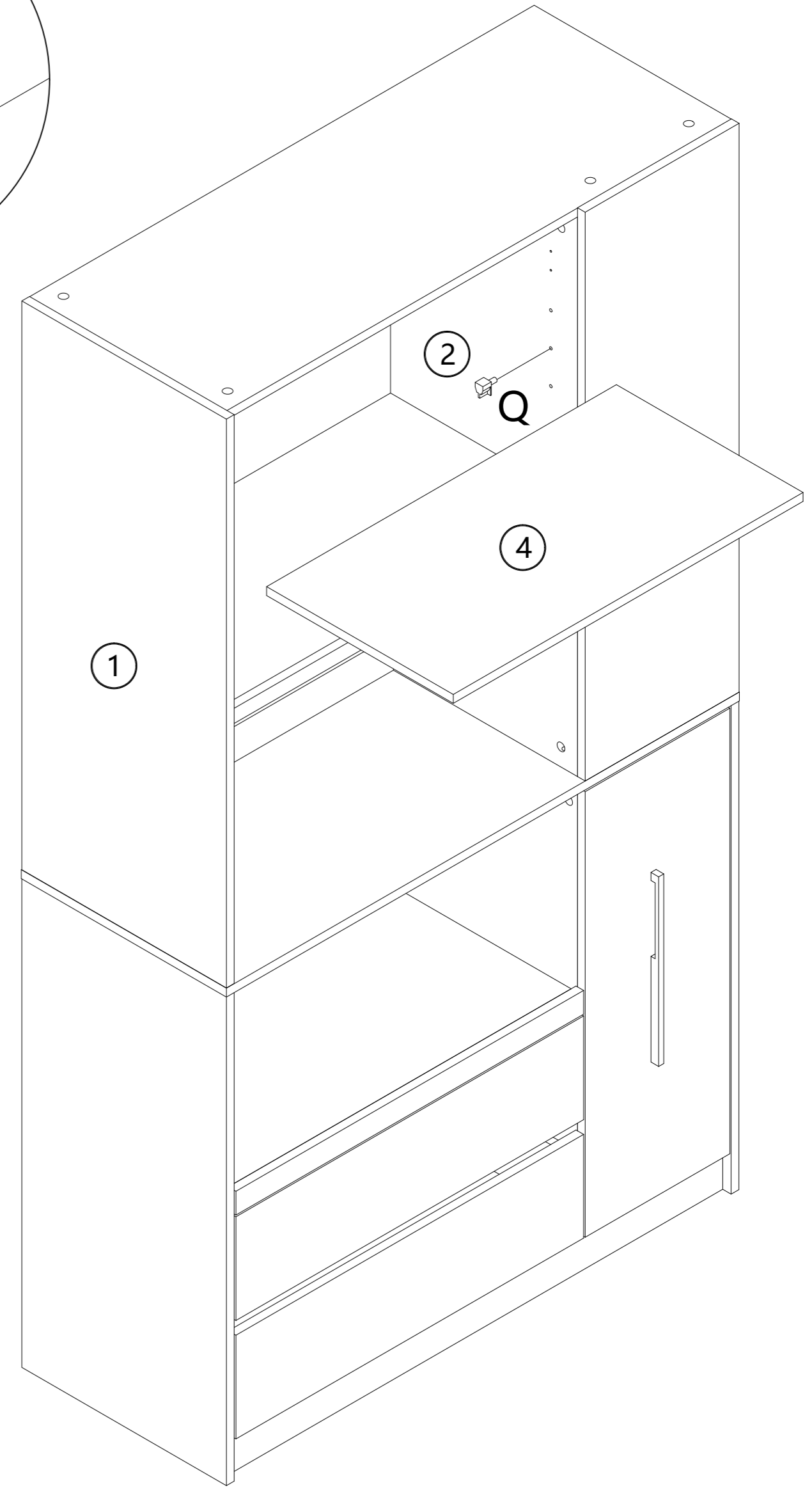
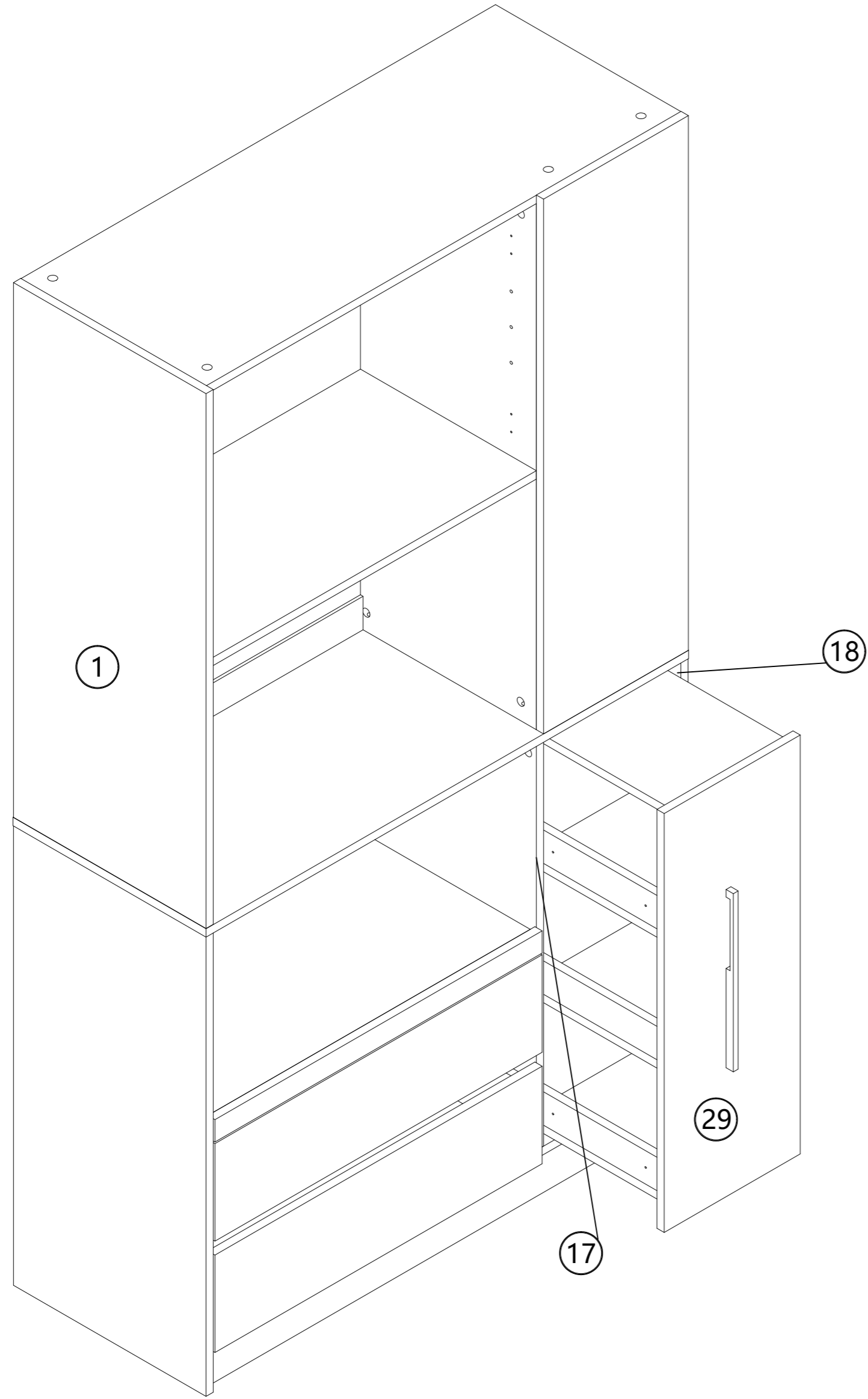
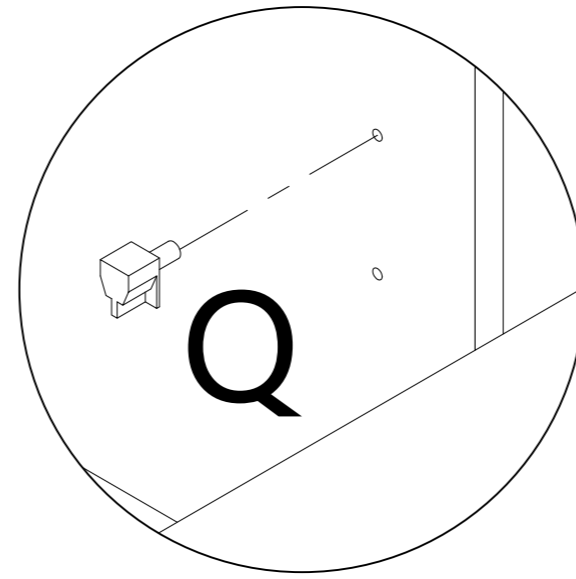


	F*8
	D2*4

put F on board (32) (33)

put D2 on board (32) (33)

17

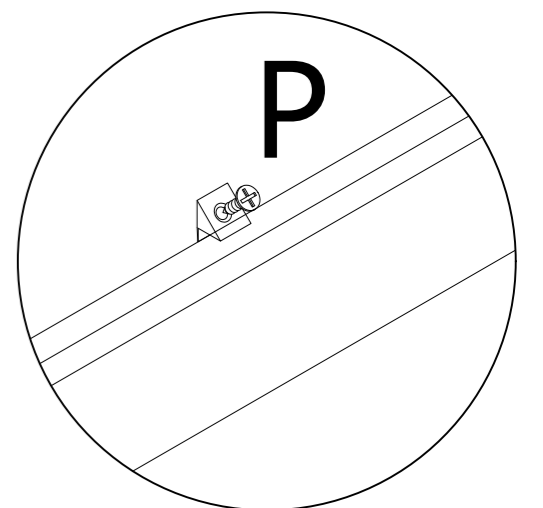
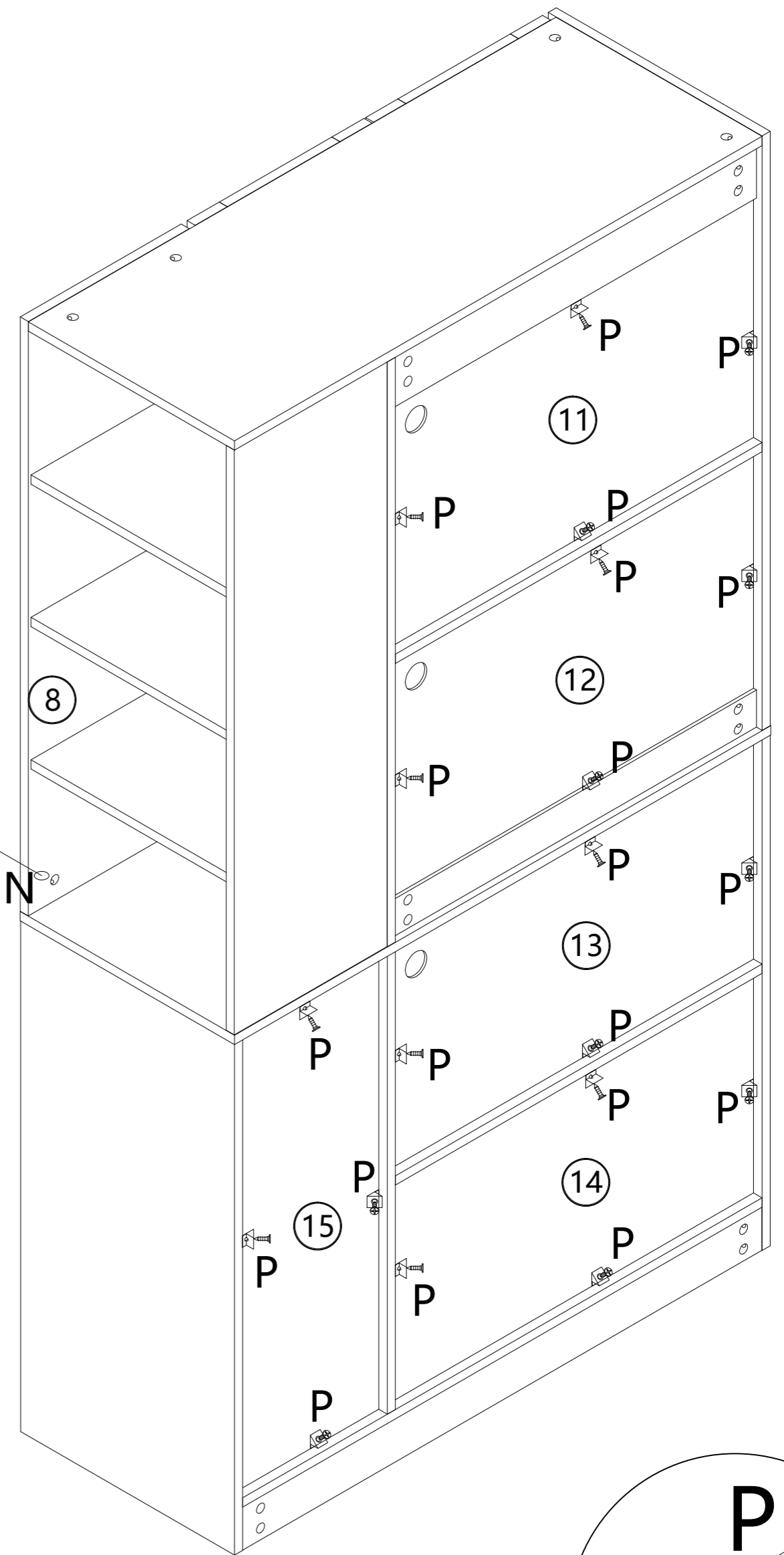
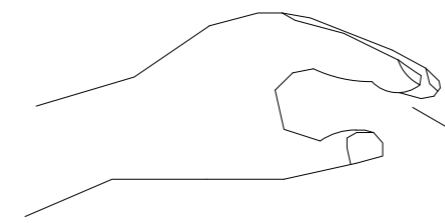
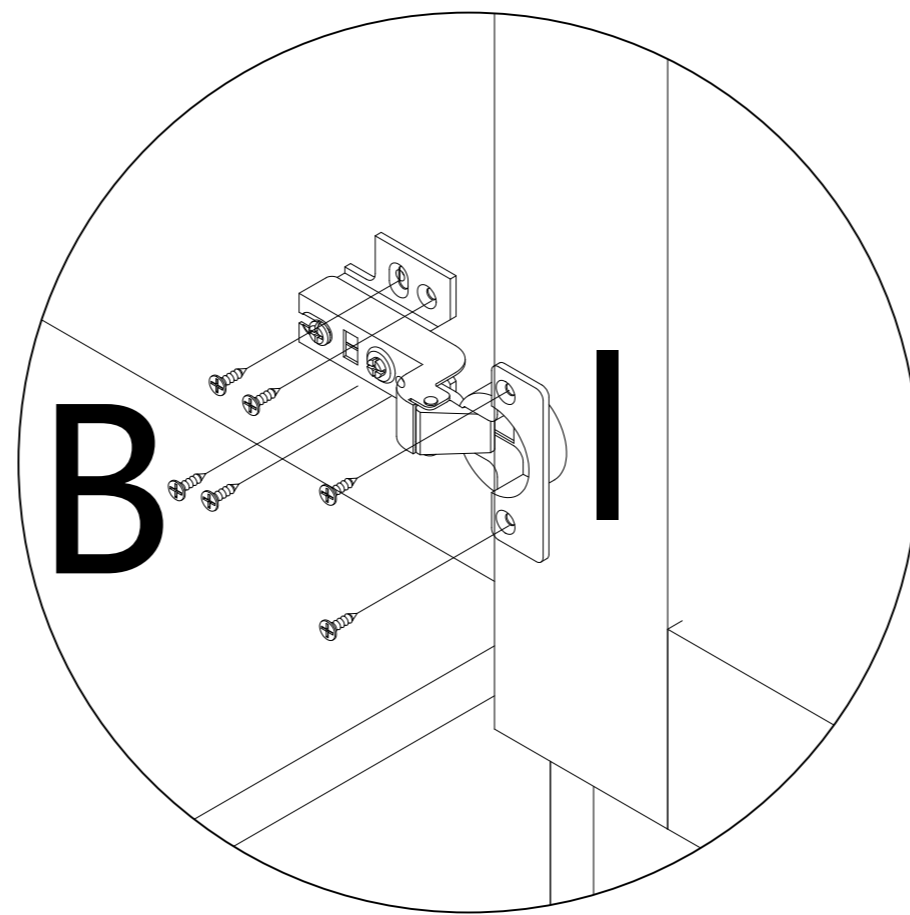
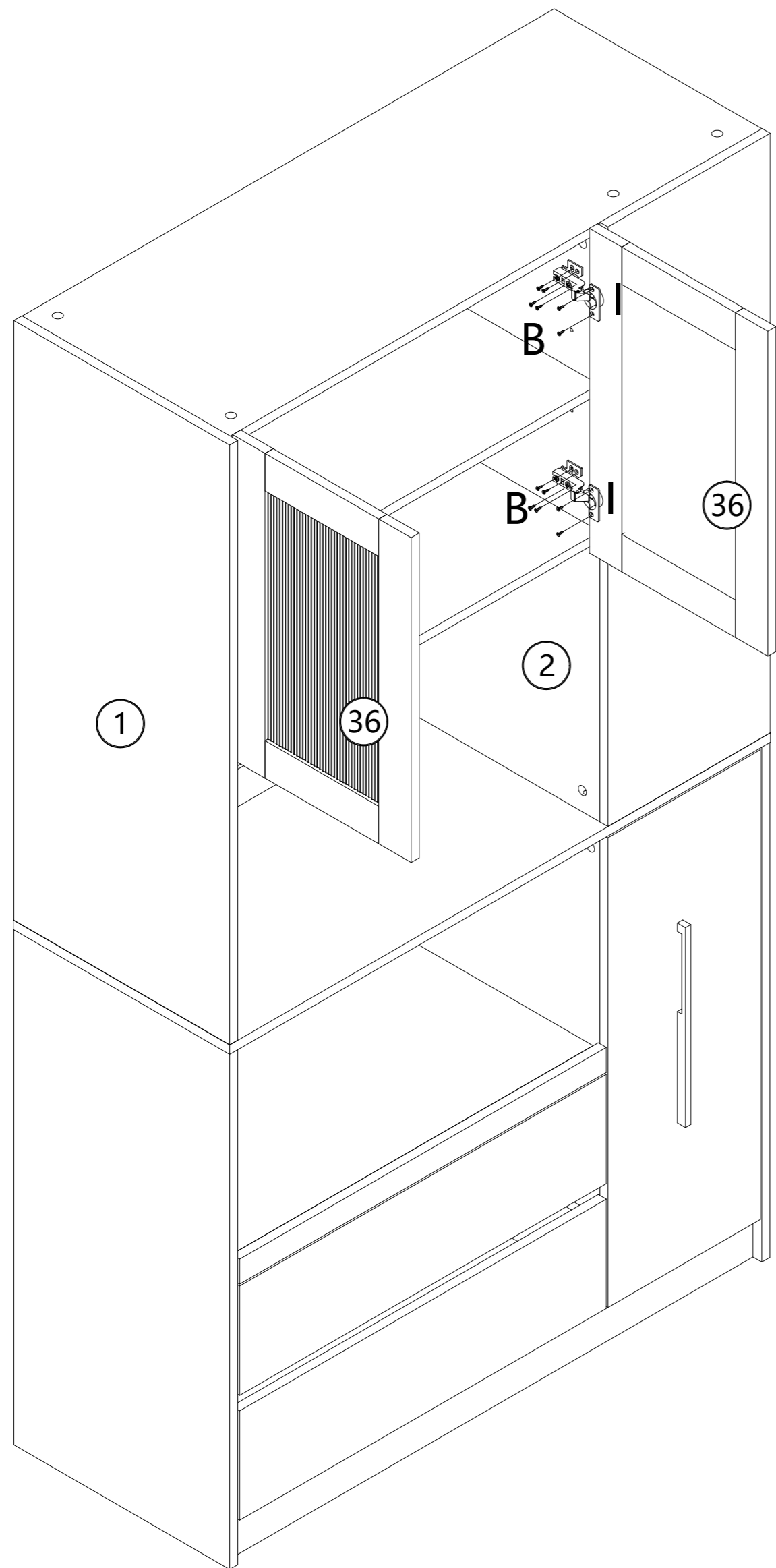




Q*4

put Q on board

① ②

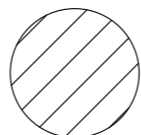
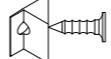
18



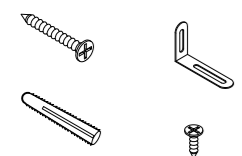
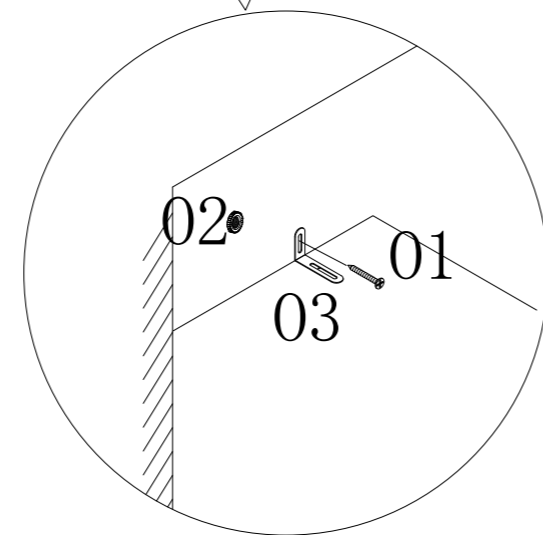
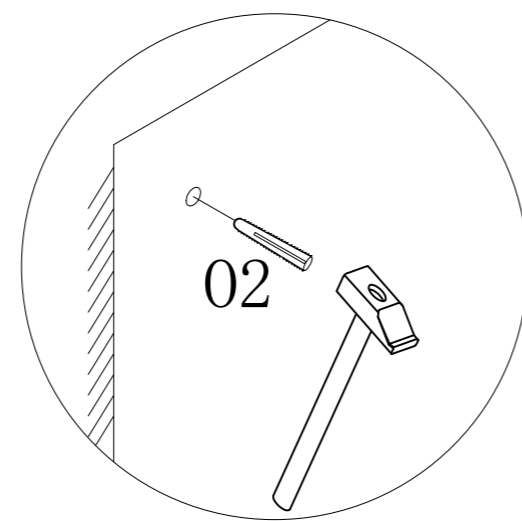
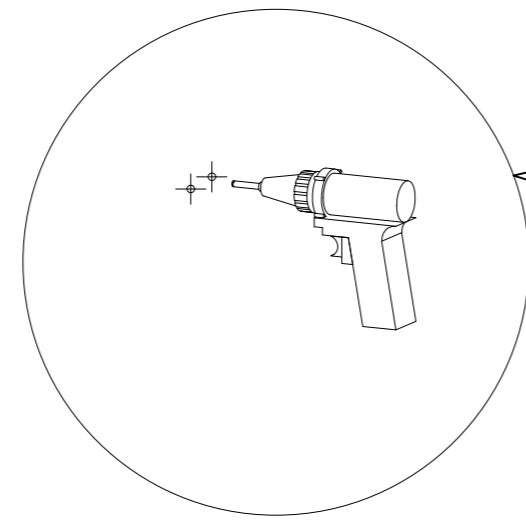
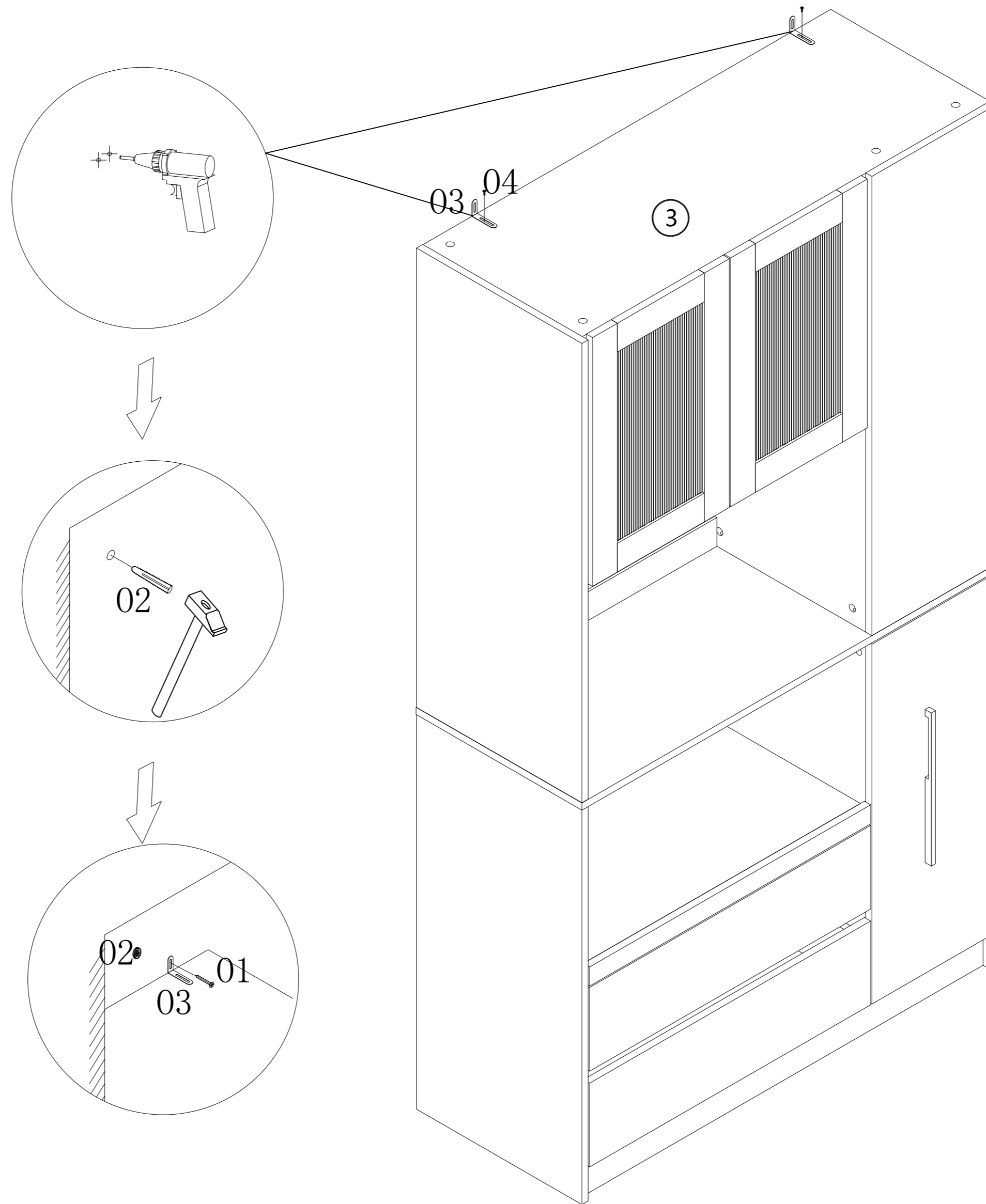
	I*4
	B*24

put I on board ① ② ③⑥

put B on board ① ② ③⑥

	N*119
	P*20

19



0*2