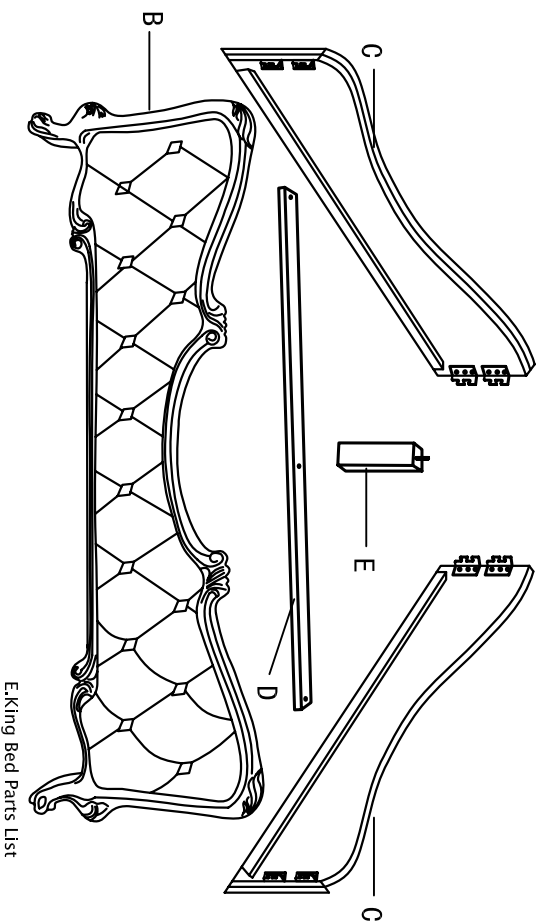
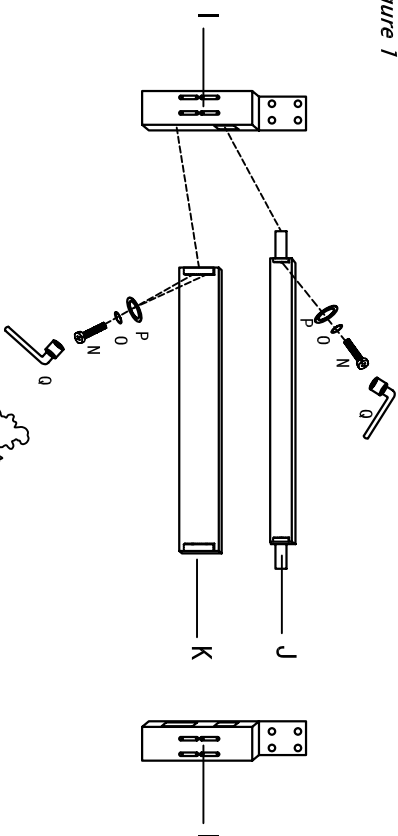


Step 1

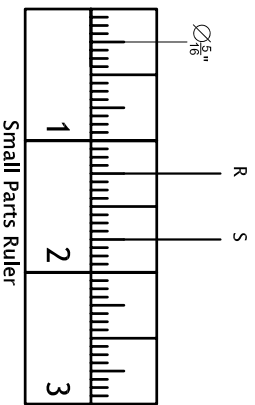
Figure 1



E-King Bed Parts List

A	Headboard	1
B	Footboard	1
C	Rails	2
D	Wood Slats	5
E	Support	3
I	Headboard Post	2
J	Stretcher (1)	1
K	Stretcher (2)	1
L	Bracket	2

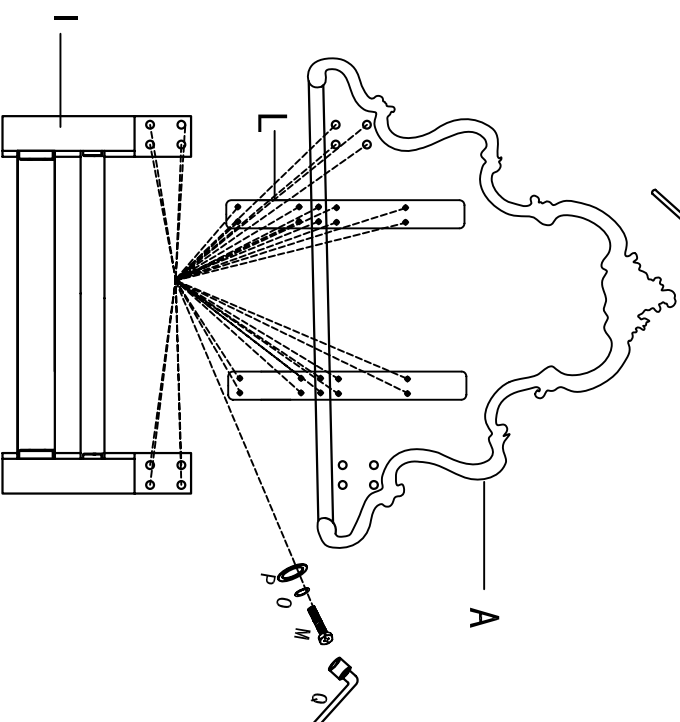
NOTE: Inspect all packing material for small parts, which may have come loose during shipment. Identify and compare all parts against the parts list.



Instructions:

Figure 1

1. Place J(Stretcher 1) and K(Stretcher 2) onto A(Headboard). Secure J&K and A by inserting P(Flat washer) + O(Spring Washer) + N(Hex Bolt) through center holes and tighten with Q(Socket Wrench).
2. Place I(Headboard Post) onto A(Headboard). Secure I and A by inserting P(Flat washer) + O(Spring Washer) + M(Hex Bolt) through center holes and tighten with Q(Socket Wrench).
3. Rotate L(Bracket) so that the empty hole on the bracket will be aligned with the hole on J(Stretcher 1) and K(Stretcher 2). Then tighten P(Flat washer) + O(Spring Washer) + M(Hex Bolt) by using Q(Socket Wrench).

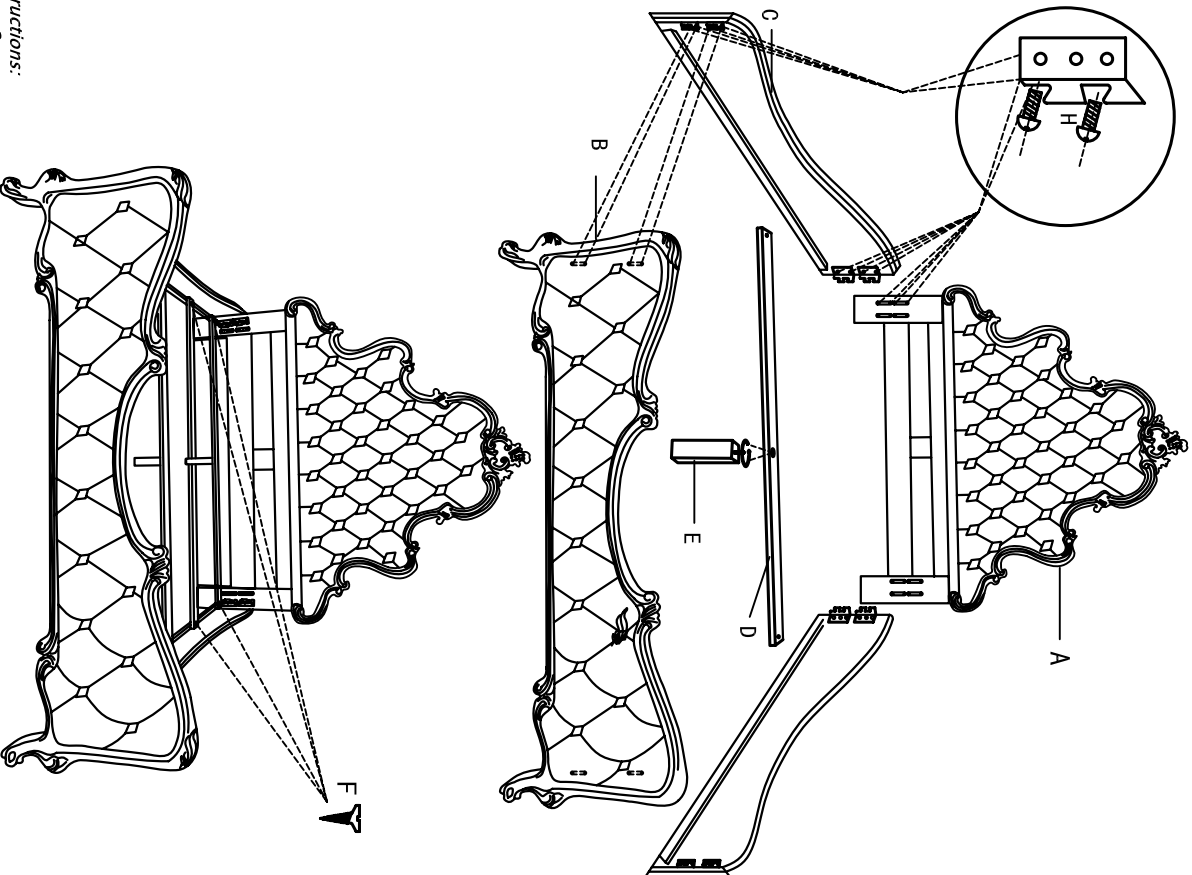


Assembly Hardware

M	Hex Bolt		Ø5/16"×1 1/4"	28
N	Hex Bolt		Ø5/16"×1 3/4"	6
O	Spring Washer		Ø5/16"	34
P	Flat Washer		Ø5/16"×23mm	34
Q	Socket Wrench		开口12mm	1

Ø = diameter

Figure 2



Instructions:

Figure 2

1. Rotate I(Headboard Post),Then Put C(Rail) aim at the hole on the A(Headboard) and B(Footboard),Then tighten P(Flat washer) +O(Spring Washer)+N(Hex Bolt) by using Q(Socket Wrench).
2. Secure D (Wood Slat) to the side rail with F (Wood Screw).

Assembly Hardware

F	Wood Screw	T	$\varnothing 8^{mm} \times \frac{1}{4}^{in}$	20
---	------------	---	--	----

\varnothing = diameter

Michael Ansari &

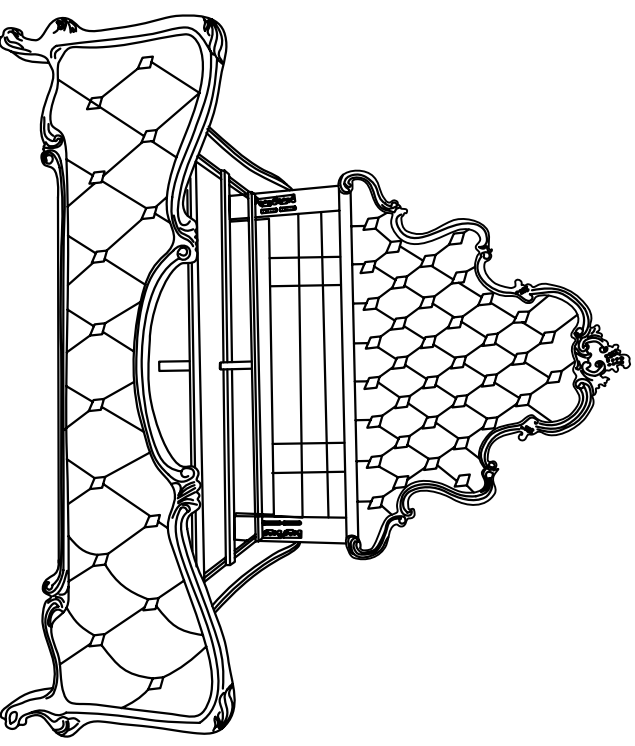
JANE SEYMOUR

A DESIGN COLLABORATION

Platine De Royale E.King Bed

Assembly Instructions

09014, 09024, 09037 E.King Bed



Congratulations on your purchase.

Rest assured only the finest materials, skilled artisans and modern engineering were used to carefully construct this exquisite piece.