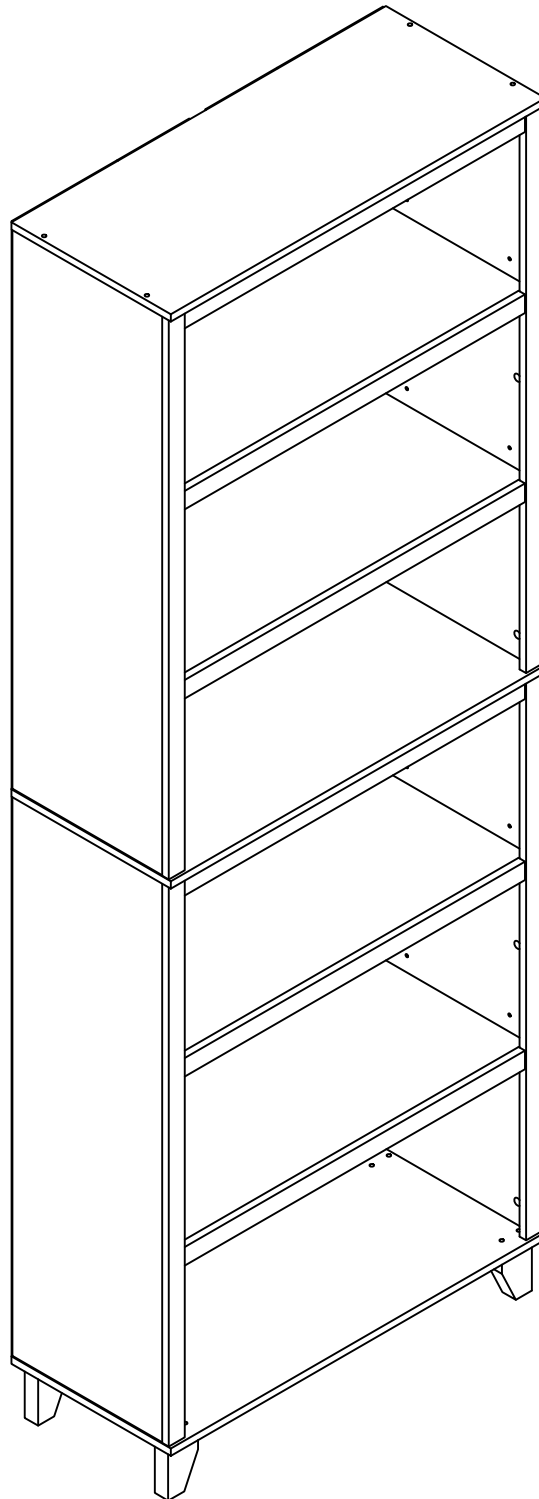


# 6-Tier Bookshelf

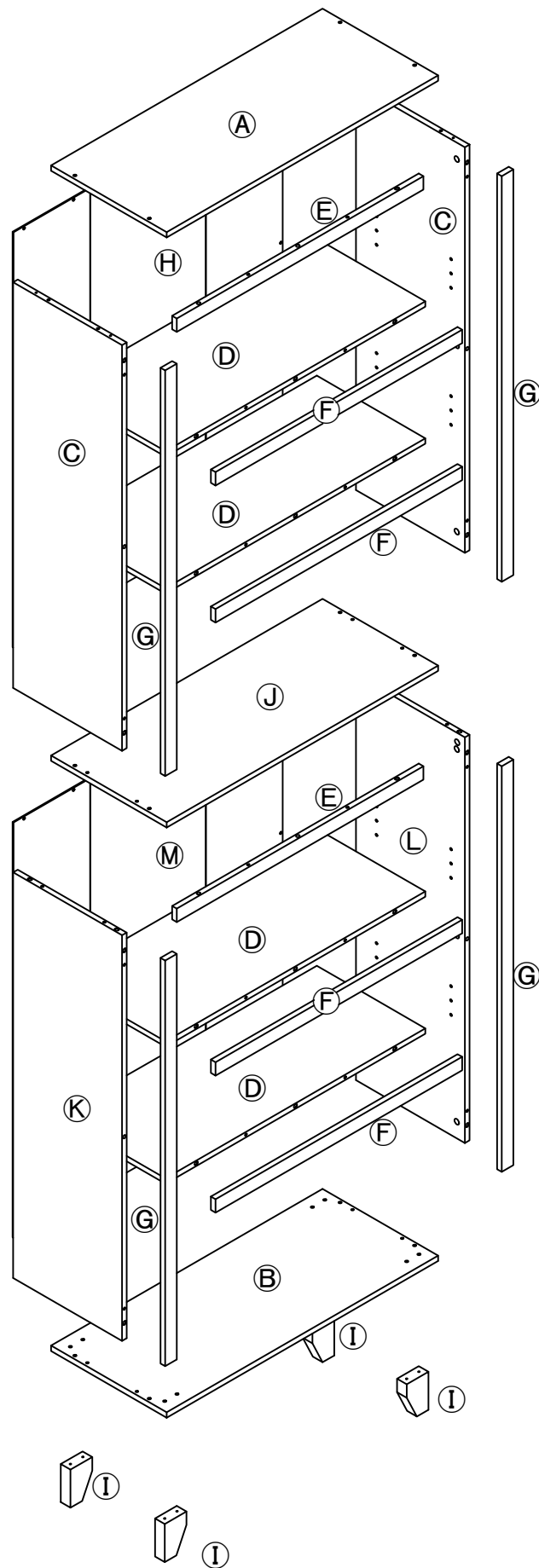
## INSTRUCTION



Part of the steps suggest  
two people install

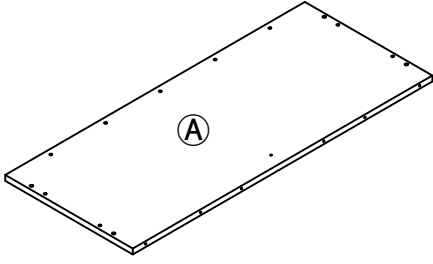
# Main Components

Please check you have all the parts listed below

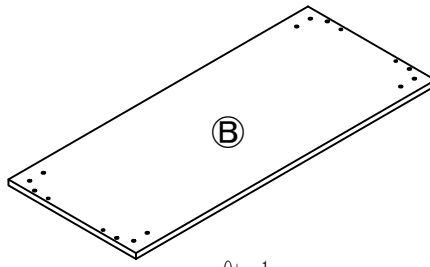


# Component Panels & Part List

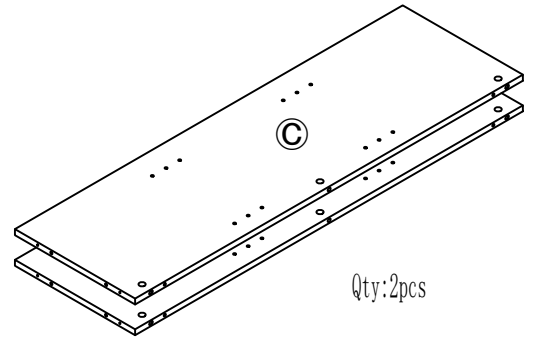
Please check you have all the panels are listed below.



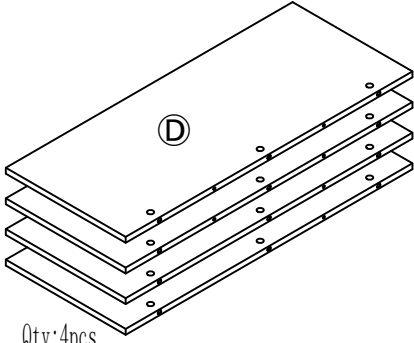
Qty: 1pc



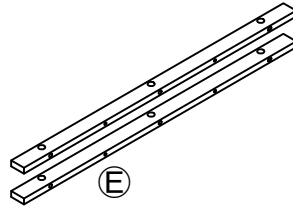
Qty: 1pc



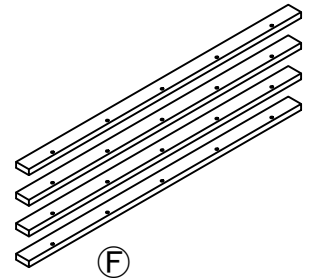
Qty: 2pcs



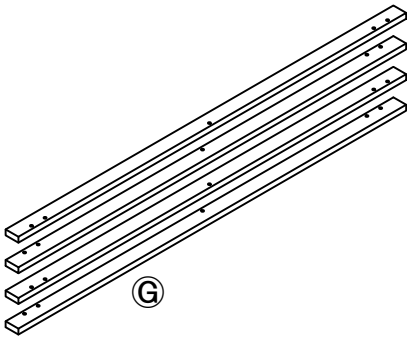
Qty: 4pcs



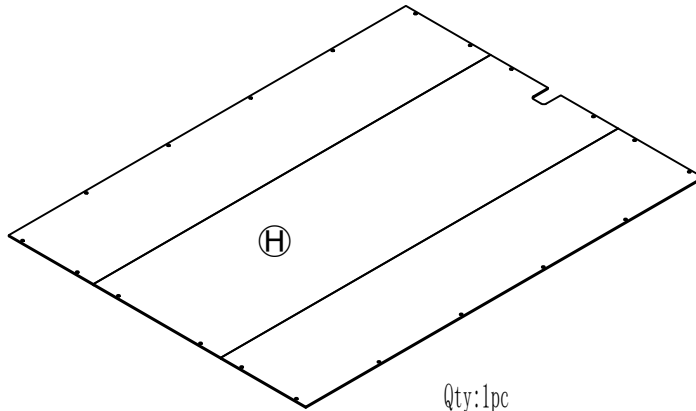
Qty: 2pcs



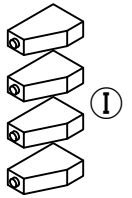
Qty: 4pcs



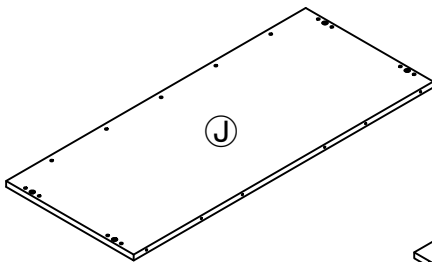
Qty: 4pcs



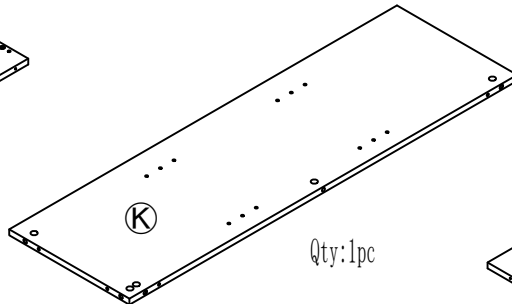
Qty: 1pc



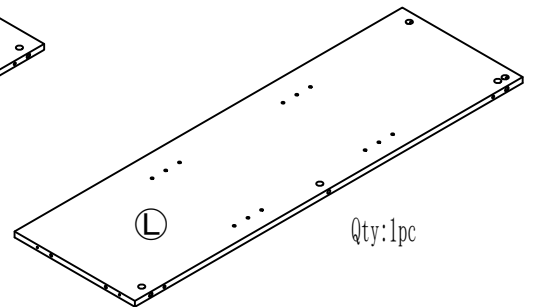
Qty: 4pcs



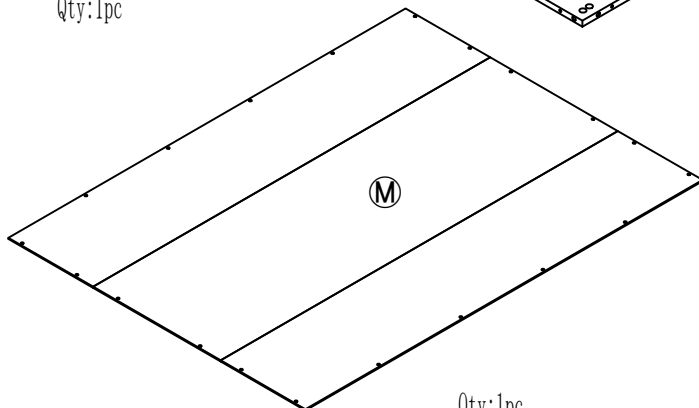
Qty: 1pc



Qty: 1pc



Qty: 1pc

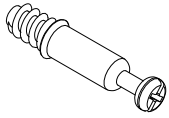


Qty: 1pc

# Fixings, Fittings And Tools

Please check all the fittings listed below

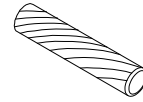
**Note:** The quantities below are the correct amount to complete the assembly. In some case more fittings may be supplied than be required.



① Ø6\*L27mm  
34+1pcs



② Ø12  
34+1pcs



③ Ø5\*30mm  
36+1pcs



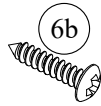
④ Ø8\*Ø4\*38mm  
20+1pcs



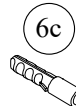
⑤ Ø7\*Ø3\*12mm  
28+2pcs



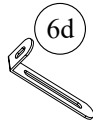
6a



6b



6c



6d



6e

⑥ 1set



⑦ Ø5\*20mm  
16pcs



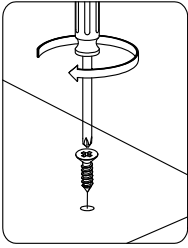
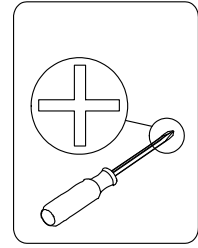
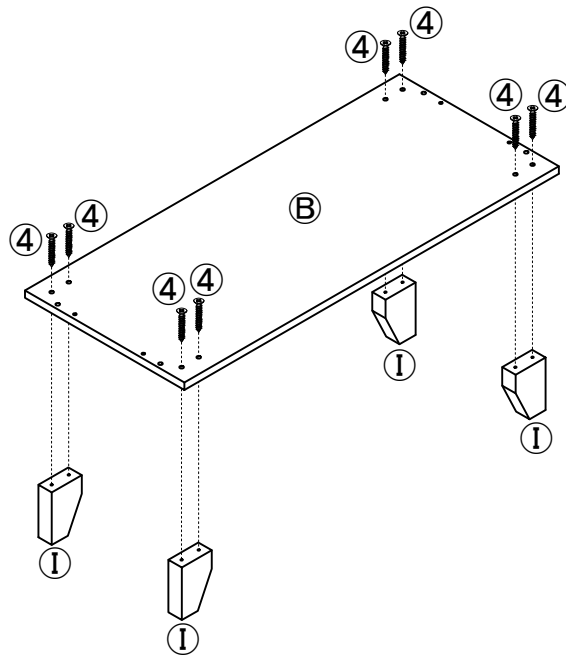
⑧ Ø12\*3.9mm  
12+1pcs




⑨ Ø6\*Ø3\*16mm  
6pcs

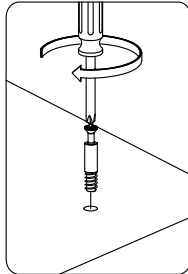
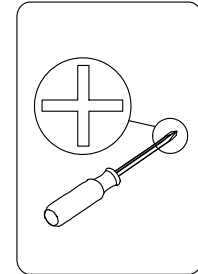
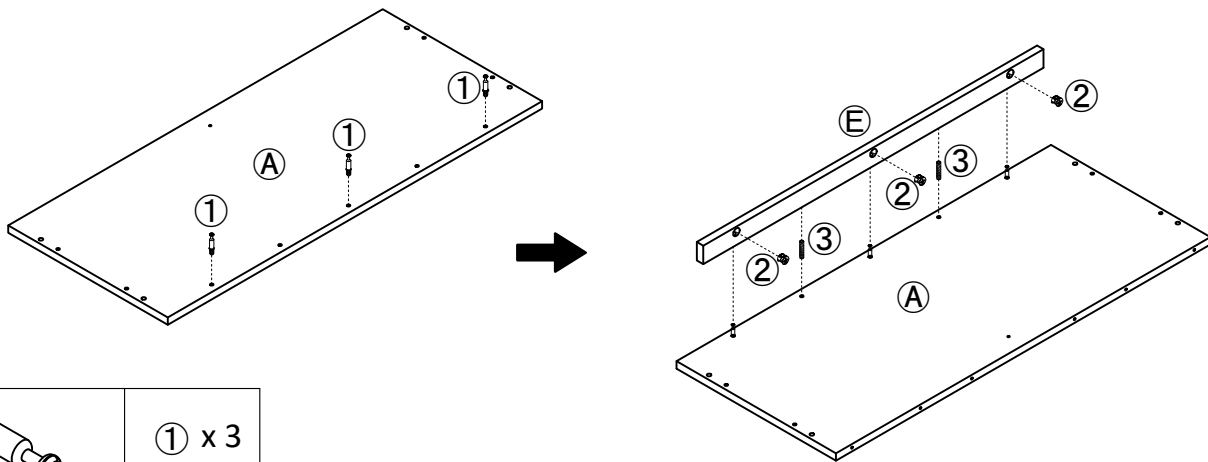
# Assembly Step

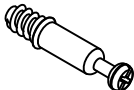
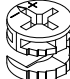
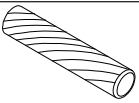
## Step 1

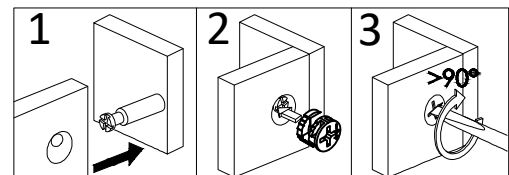


	④ x 8
--	-------

## Step 2

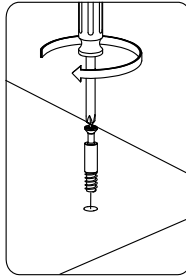
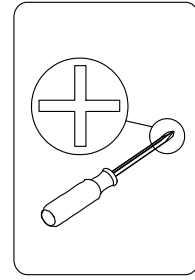
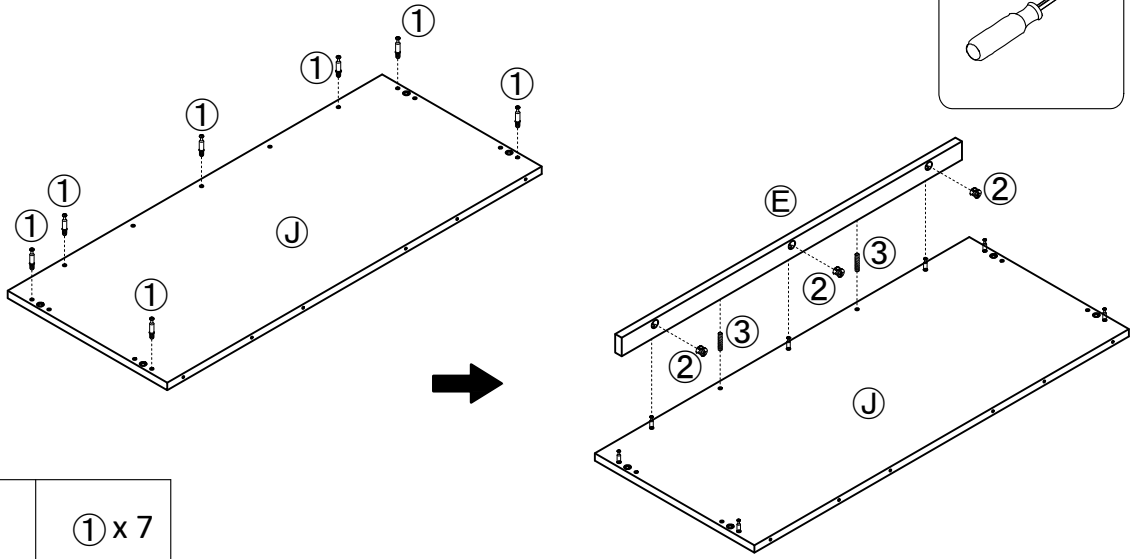


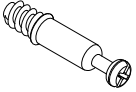
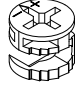
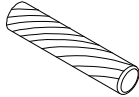
	① x 3
	② x 3
	③ x 2

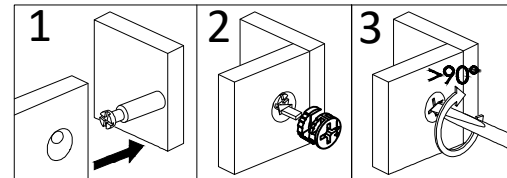


# Assembly Step

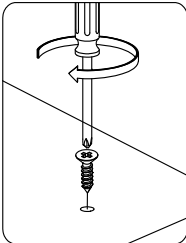
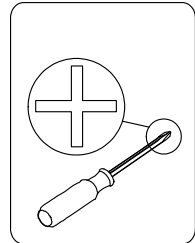
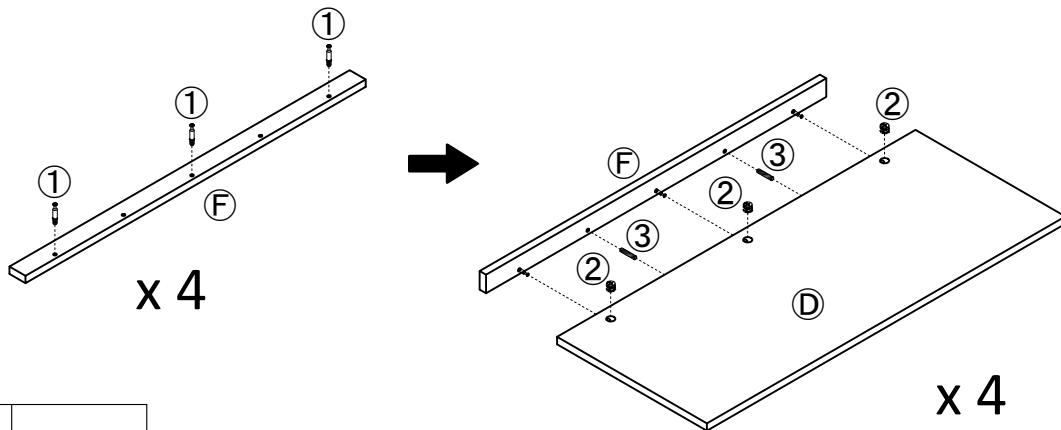
## Step 3

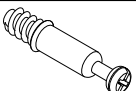
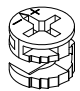
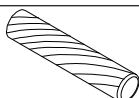


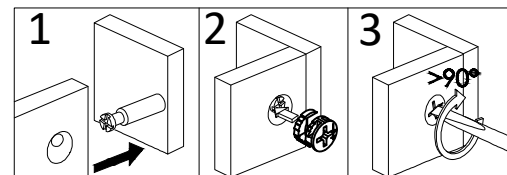
	① x 7
	② x 3
	③ x 2



## Step 4

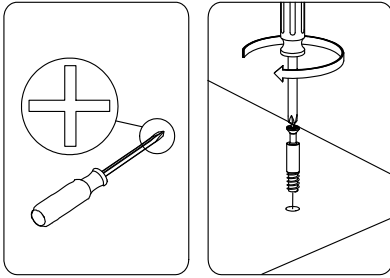
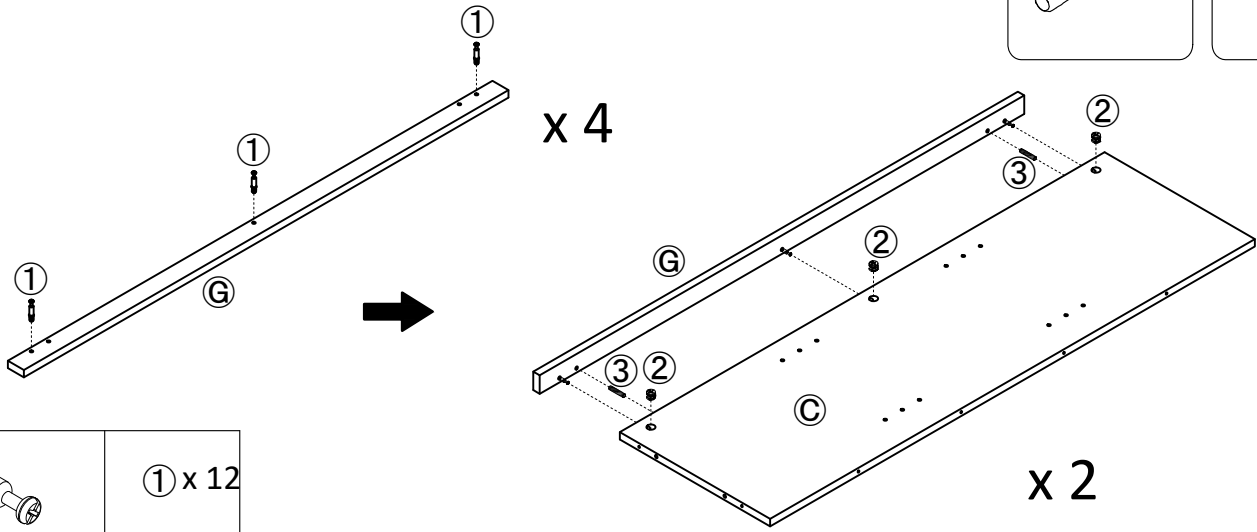


	① x 12
	② x 12
	③ x 8

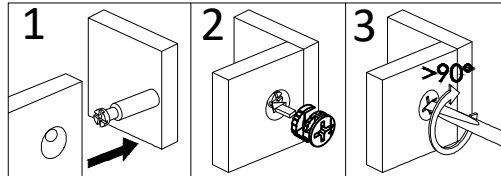


# Assembly Step

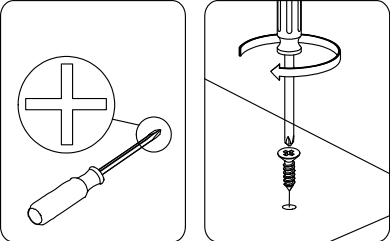
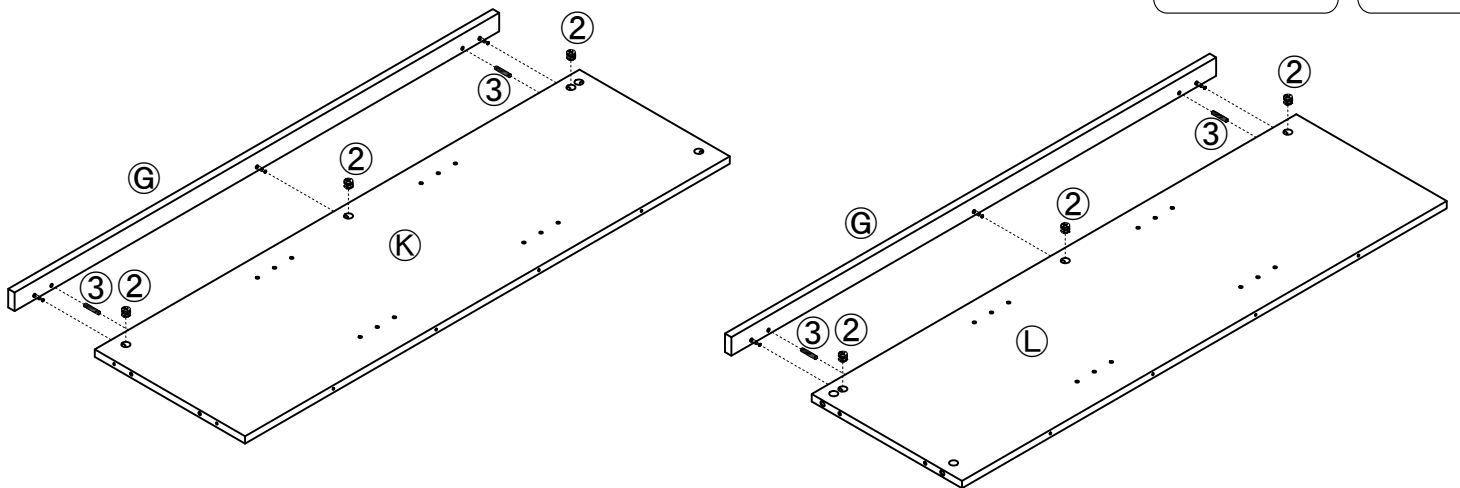
## Step 5



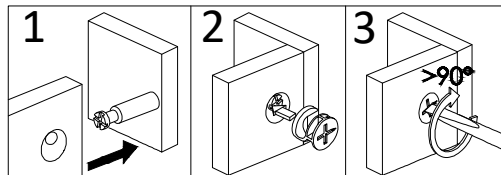
	① x 12
	② x 6
	③ x 4



## Step 6

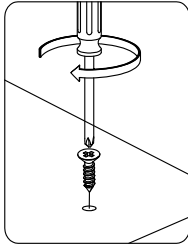
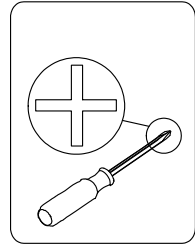
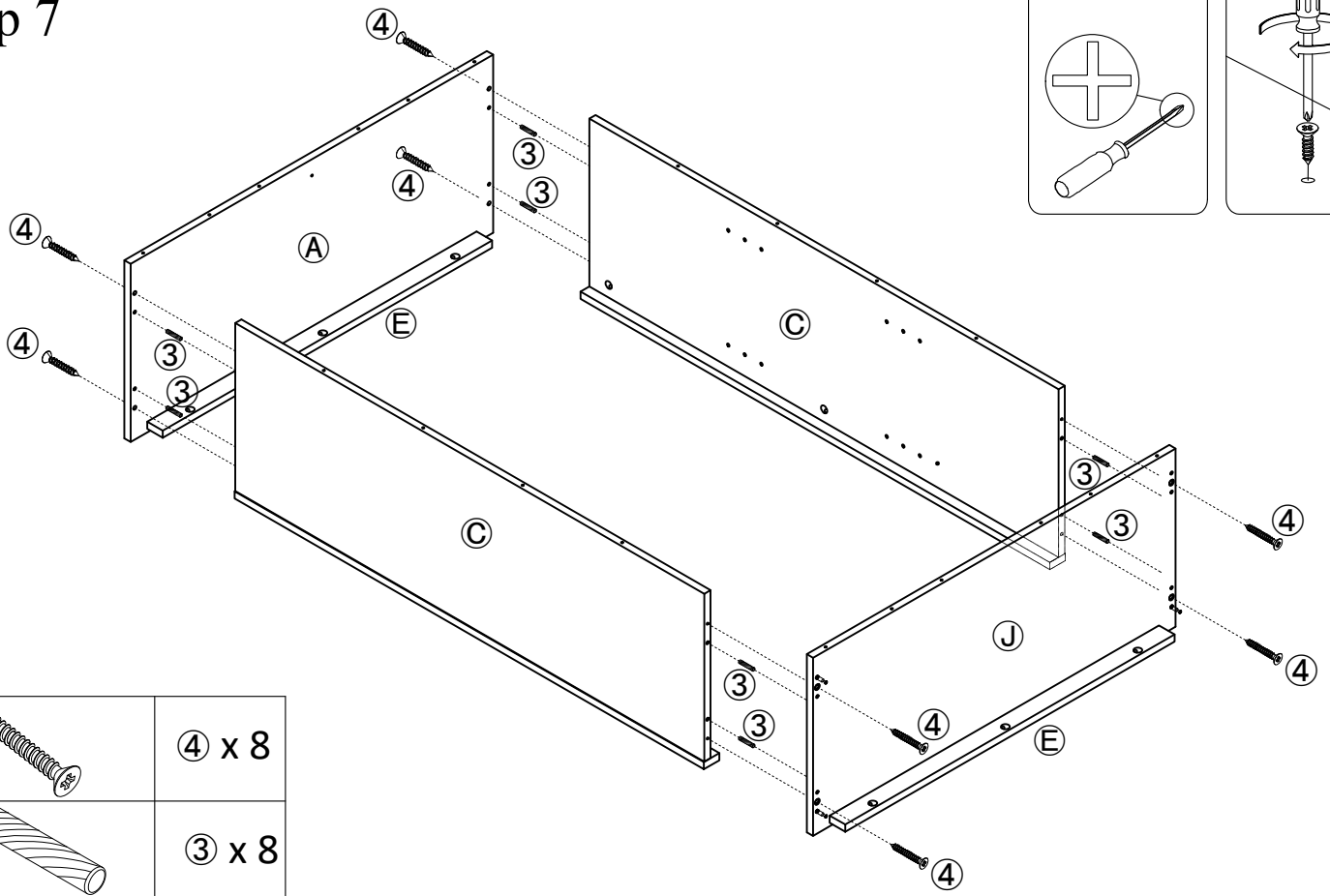


	② x 6
	③ x 4



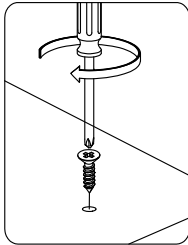
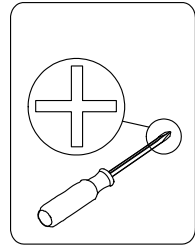
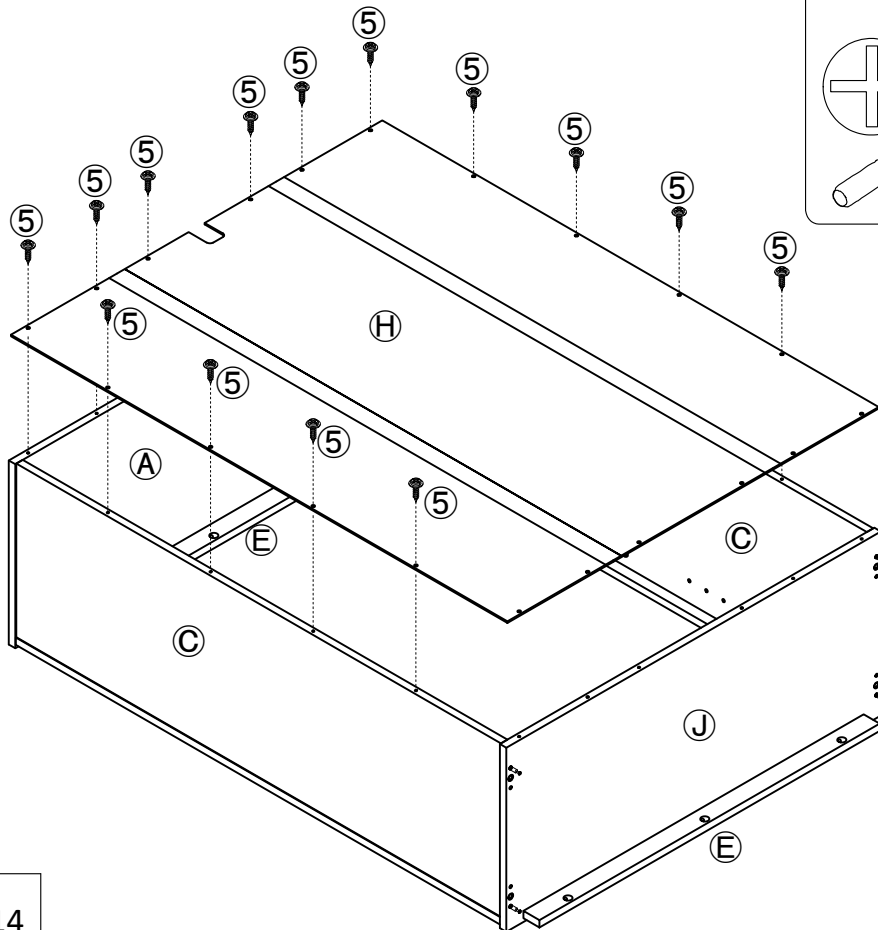
# Assembly Step

## Step 7



	④ x 8
	③ x 8

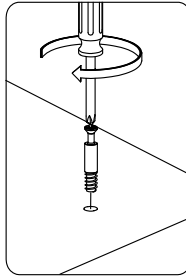
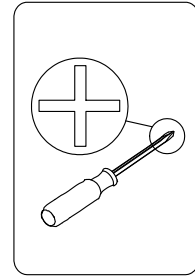
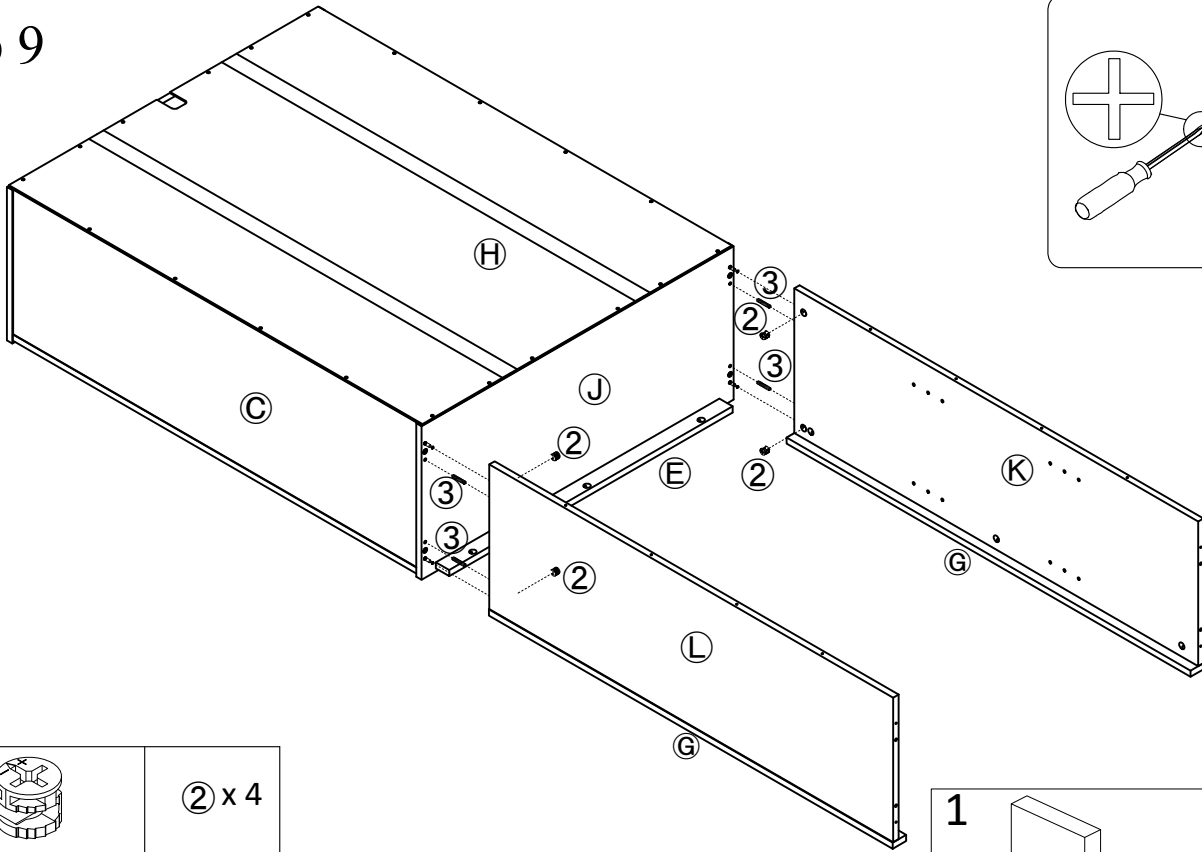
## Step 8



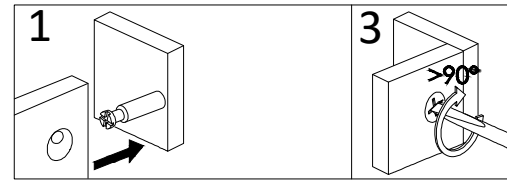
	⑤ x 14
--	--------

# Assembly Step

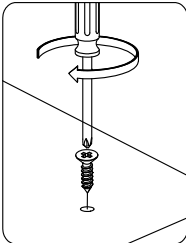
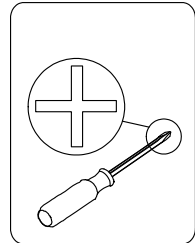
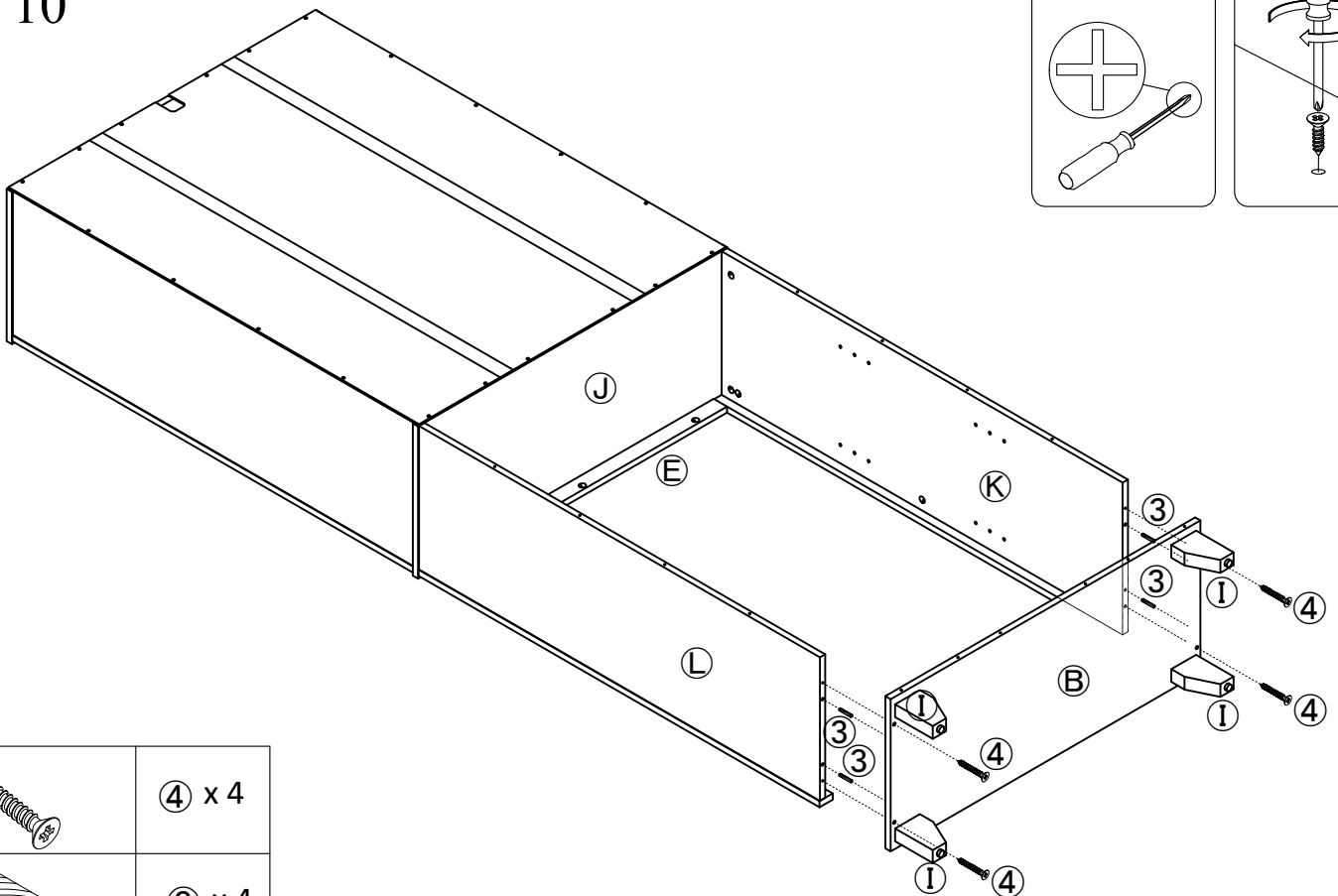
## Step 9



	② x 4
	③ x 4



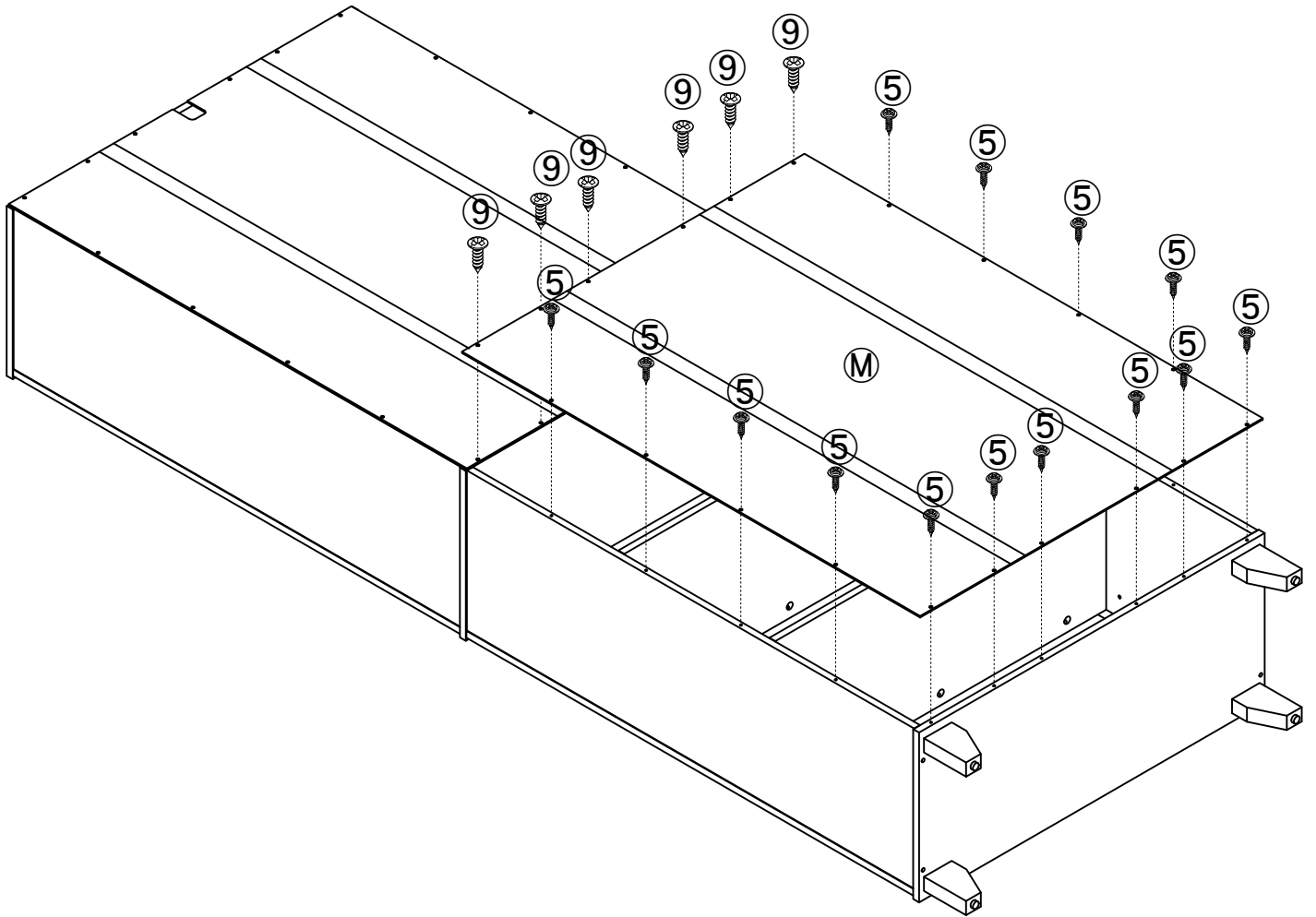
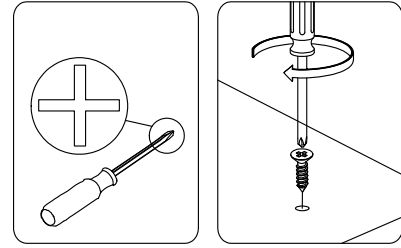
## Step 10





	④ x 4
	③ x 4

# Assembly Step

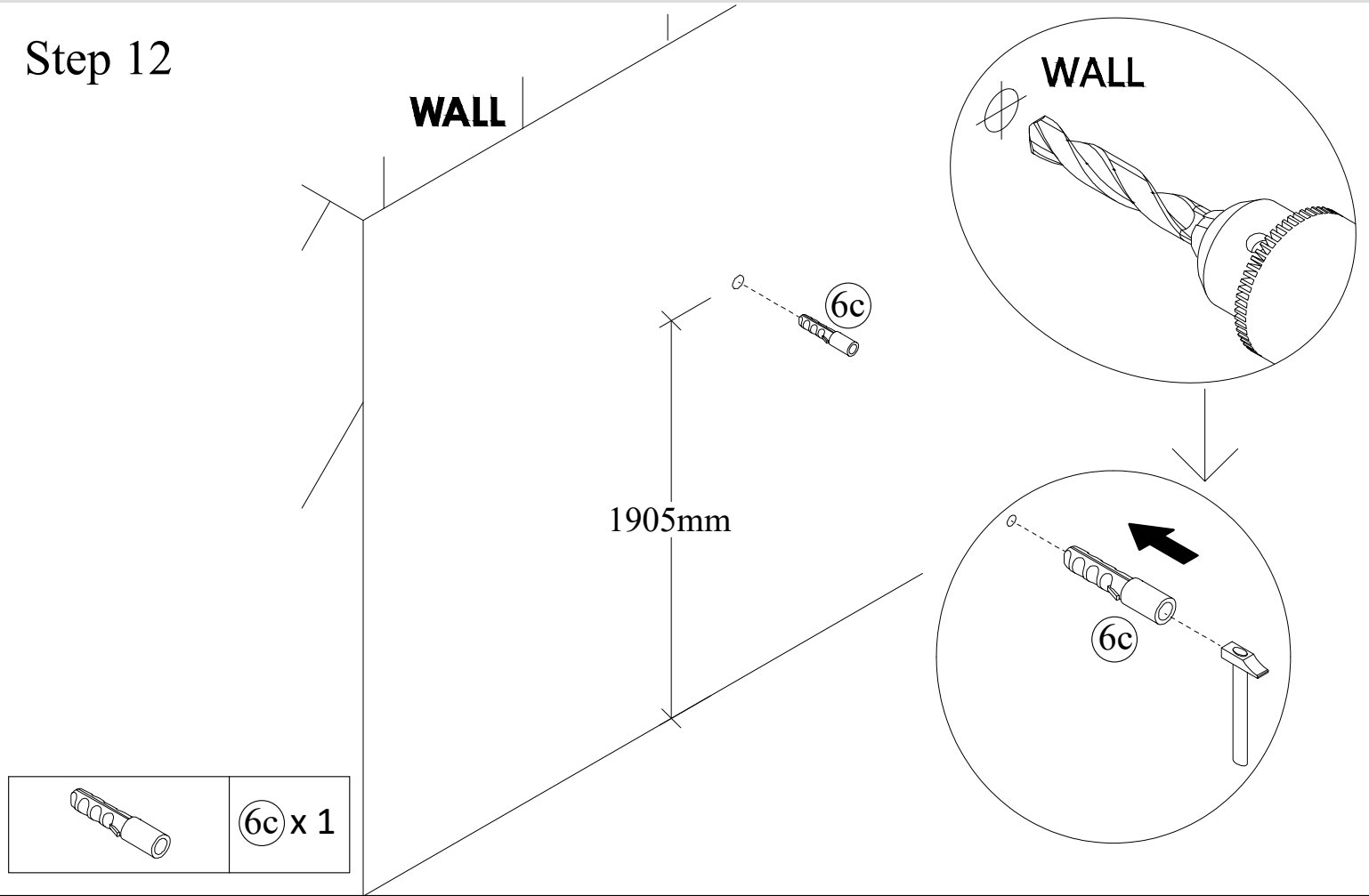
## Step 11



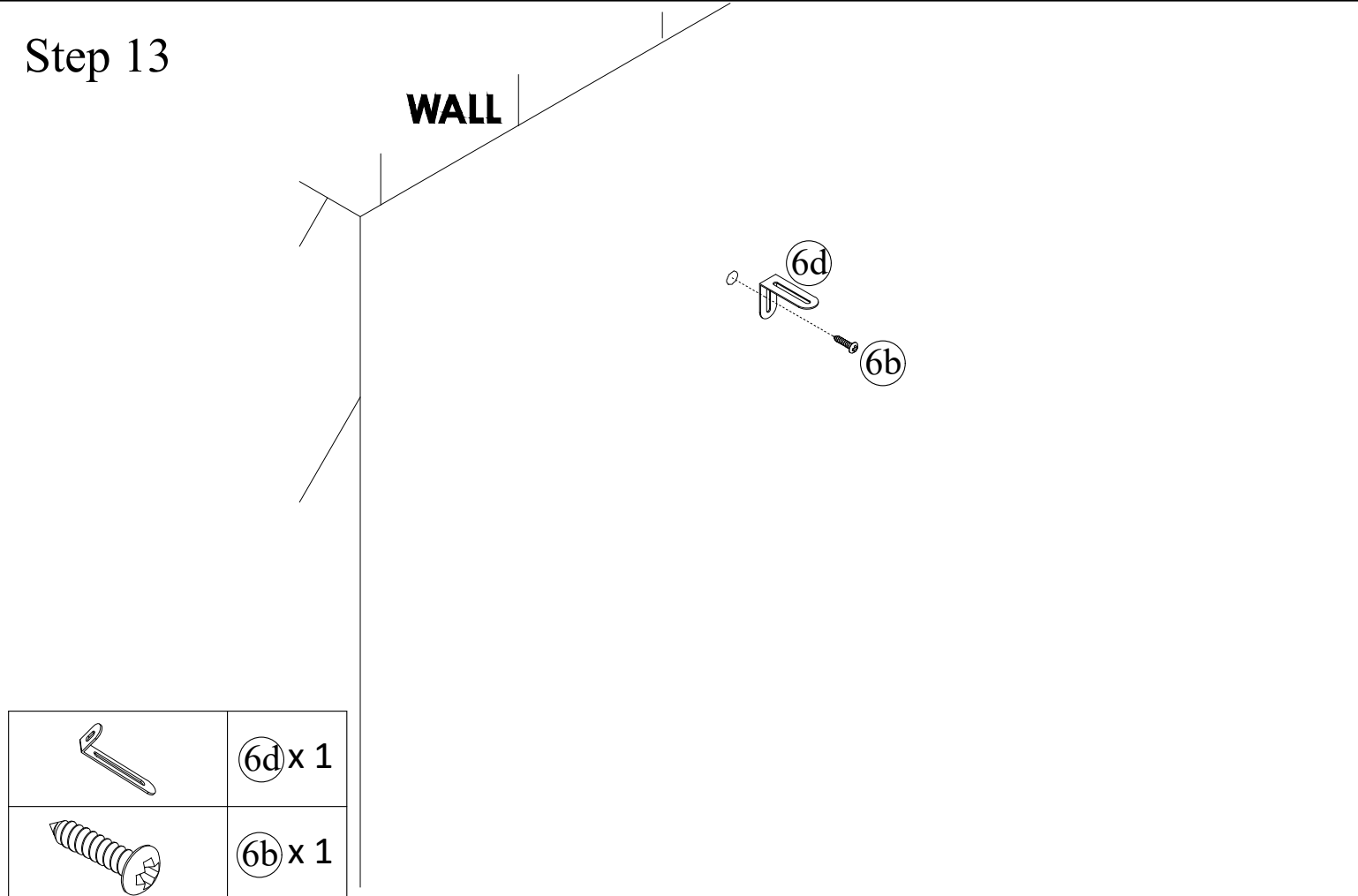
	⑤ x 14
	⑨ x 6

# Assembly Step

## Step 12



## Step 13





# Assembly Step

## Step 15

