

NOTICE

- *Please make sure that you have all parts indicated and they are in good condition before you begin assembly of this item. Refer to part list and hardware list below for guidance.
- *This item should be assembled on a soft surface to prevent scratching the finish during assembly.
- *This item may require periodic tightening.







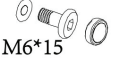
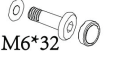

PREPARATION

- *Before beginning assembly of product, make sure all parts are present. Compare parts with part contents list and hardware contents list.
- *If any part is missing or damaged, do not attempt to assemble the product.
- *Estimated Assembly Time: 30minutes.
- *Tools Required for Assembly (included): Allen Key

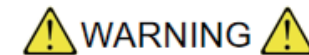
CARE AND MAINTENANCE

Store outdoor furniture indoors or cover well when not in use. Remove wooden furniture from standing water. Dust regularly with small brush or vacuum. Spills should be taken care of immediately before they harden or stain with a slightly dampened sponge.

Part List and Hardware List

PIECE	DESCRIPTION	PICTURE	QUANTITY
A	Left Leg		1
B	Right Leg		1
C	Bracket 1		2
D	Bracket 1		1
E	Bed		1
F	Back		2
HW1	Bolt and Washer	 M6*15	12
HW2	Bolt and Washer	 M6*32	10
HW2	Allen Key		1

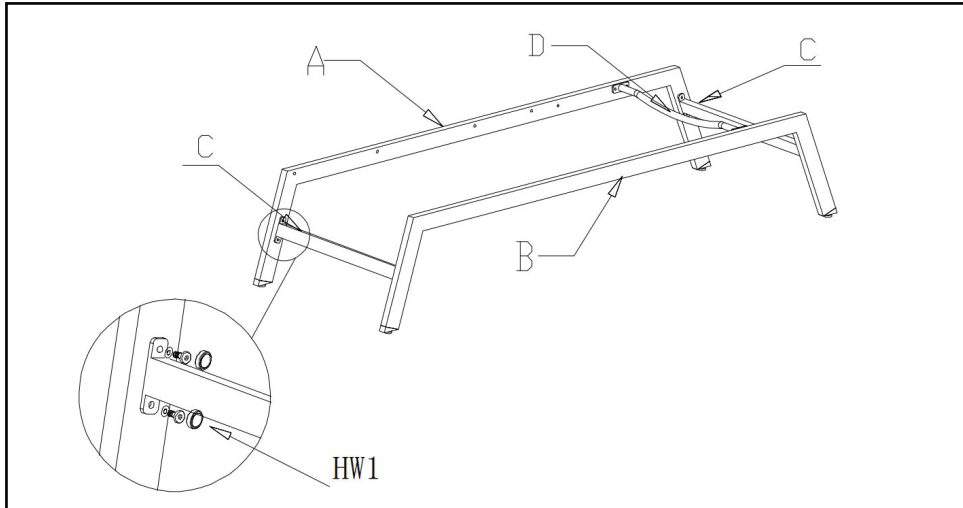
Product
Dimensions:
84"x26 .22"x15.56"



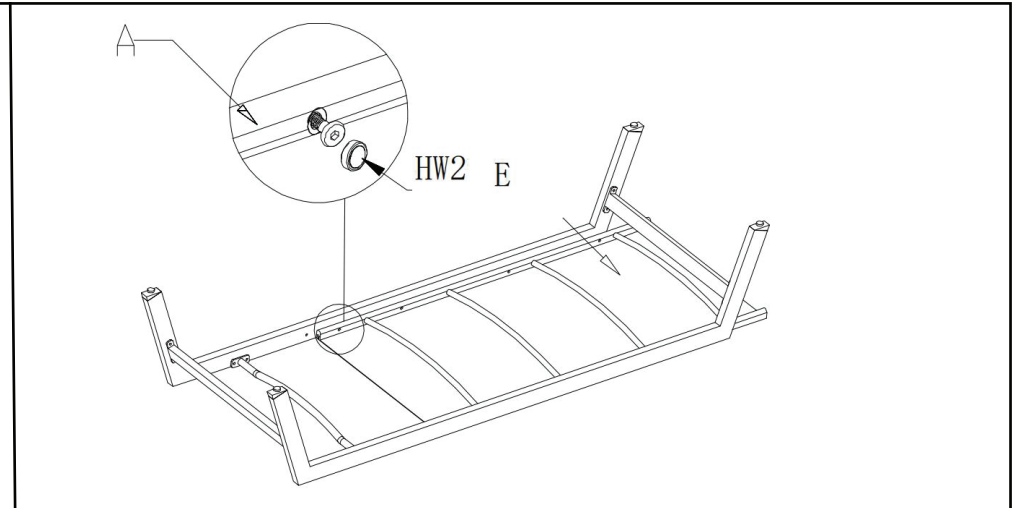
Weight Capacity: 300LBS
Warning: Do not stand on the table
Warning: Do not over torque bolts

PREPARATION

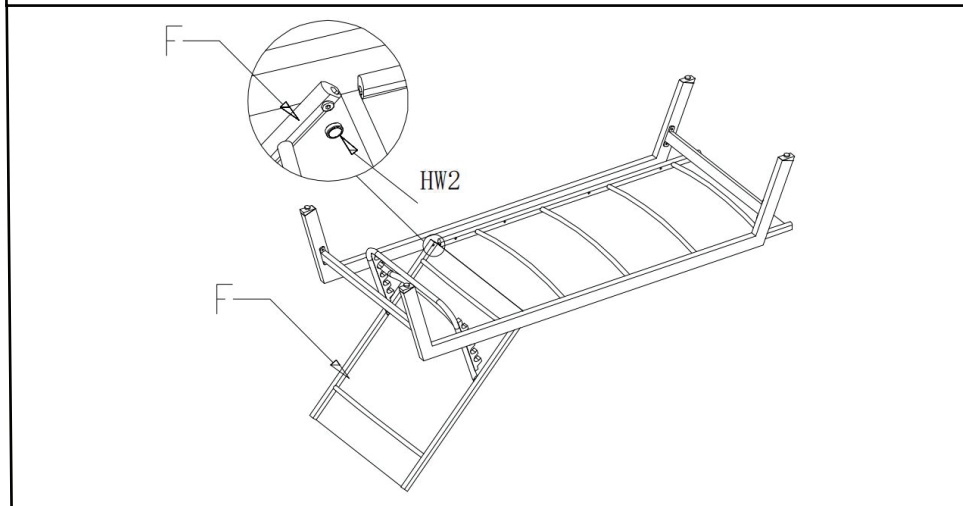
- *Before beginning assembly of product, make sure all parts are present. Compare parts with part contents list and hardware contents list.
- *If any part is missing or damaged, do not attempt to assemble the product.
- *Estimated Assembly Time: 30 minutes.
- *Tools Required for Assembly (included): Allen Key
- *Gradually tighten bolts in a star pattern: tighten one bolt and then the one opposite from it until all bolts are tightened.



STEP1: Assemble C to leg A and B with HW1, then assemble D to leg A and B with HW1



STEP2: Assemble bed E among A and B with HW2



STEP3: Assemble F to the bed with HW2