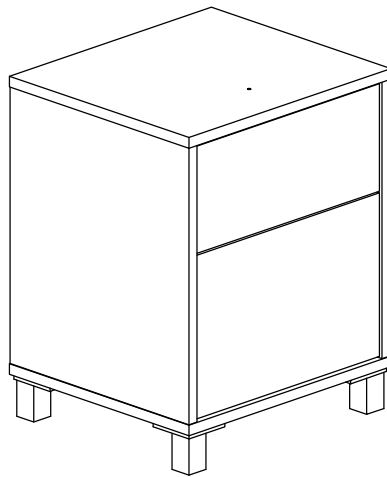


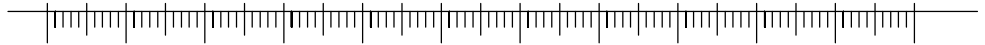
BEDSIDE / LAMP TABLE





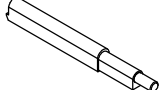
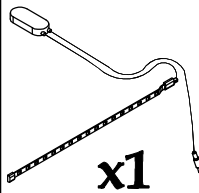
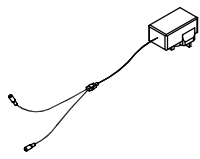
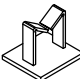

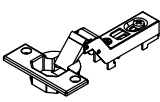
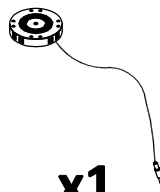
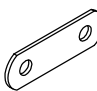

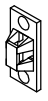

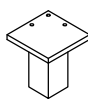

Assembly Instructions



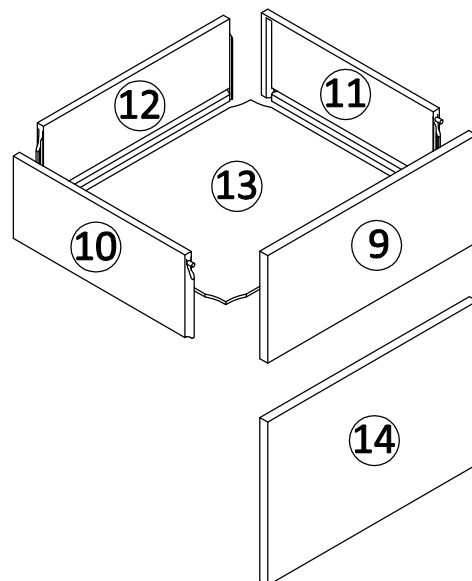
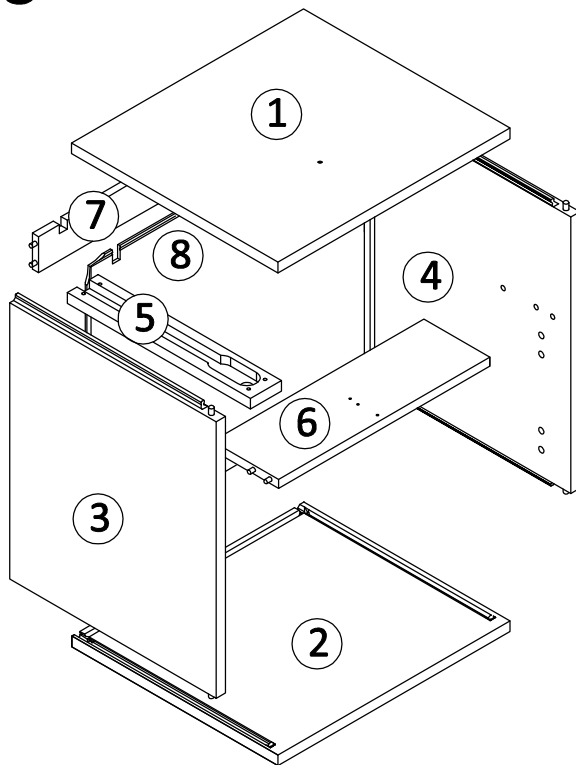
HARDWARE

0 5 10 15 20 25 30 35 40 45 50 55 60 65 70 75 80 85 90 95 100 105 110 mm



A M3*12  x2	B M3.5*14  x12	C M3.5*18  x12	D M4*25  x4	E  x2	F  x1	G  x1
H  x2	I  x2	J  x2	K  x1	L  x3	M  x2	N  x1
Tools Required-Not Supplied 				15  x4	O  x1	

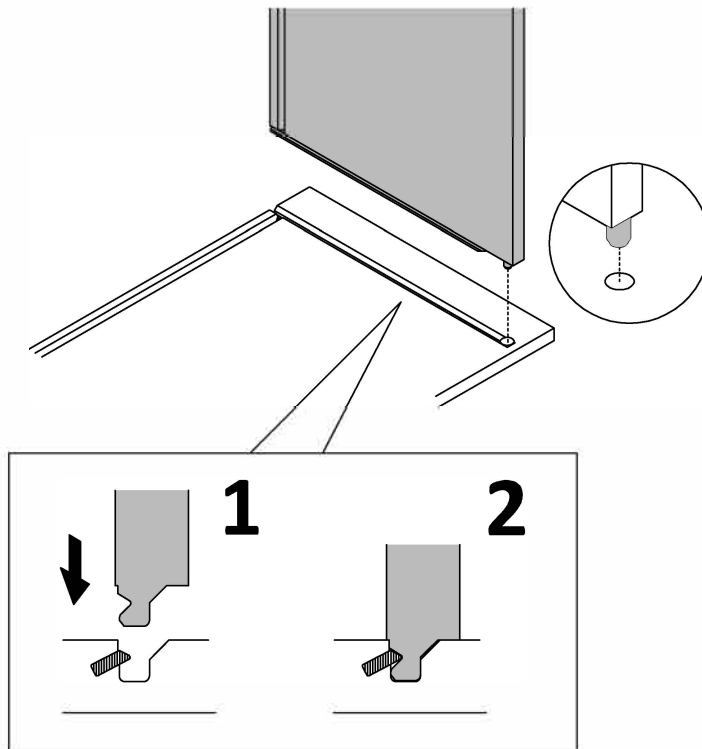
PARTS



GUIDE

Assembly Instructions

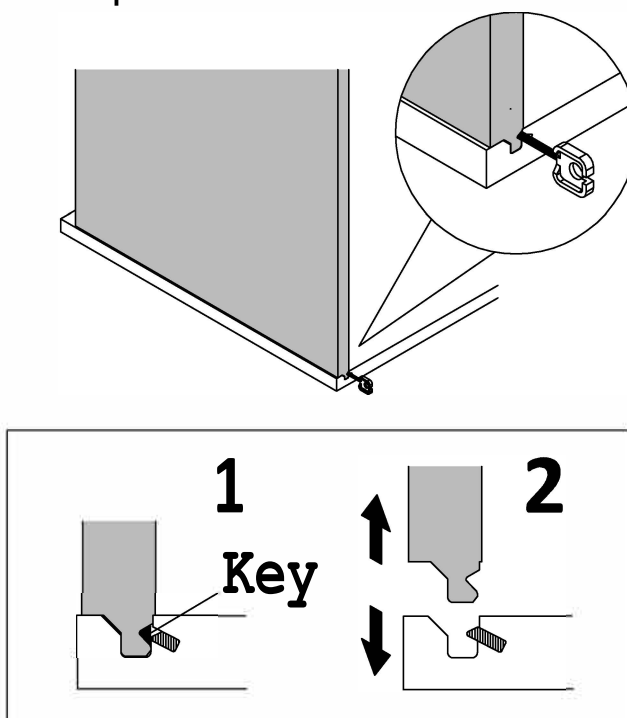
Ensure dowel is aligned with hole before pushing panel into groove



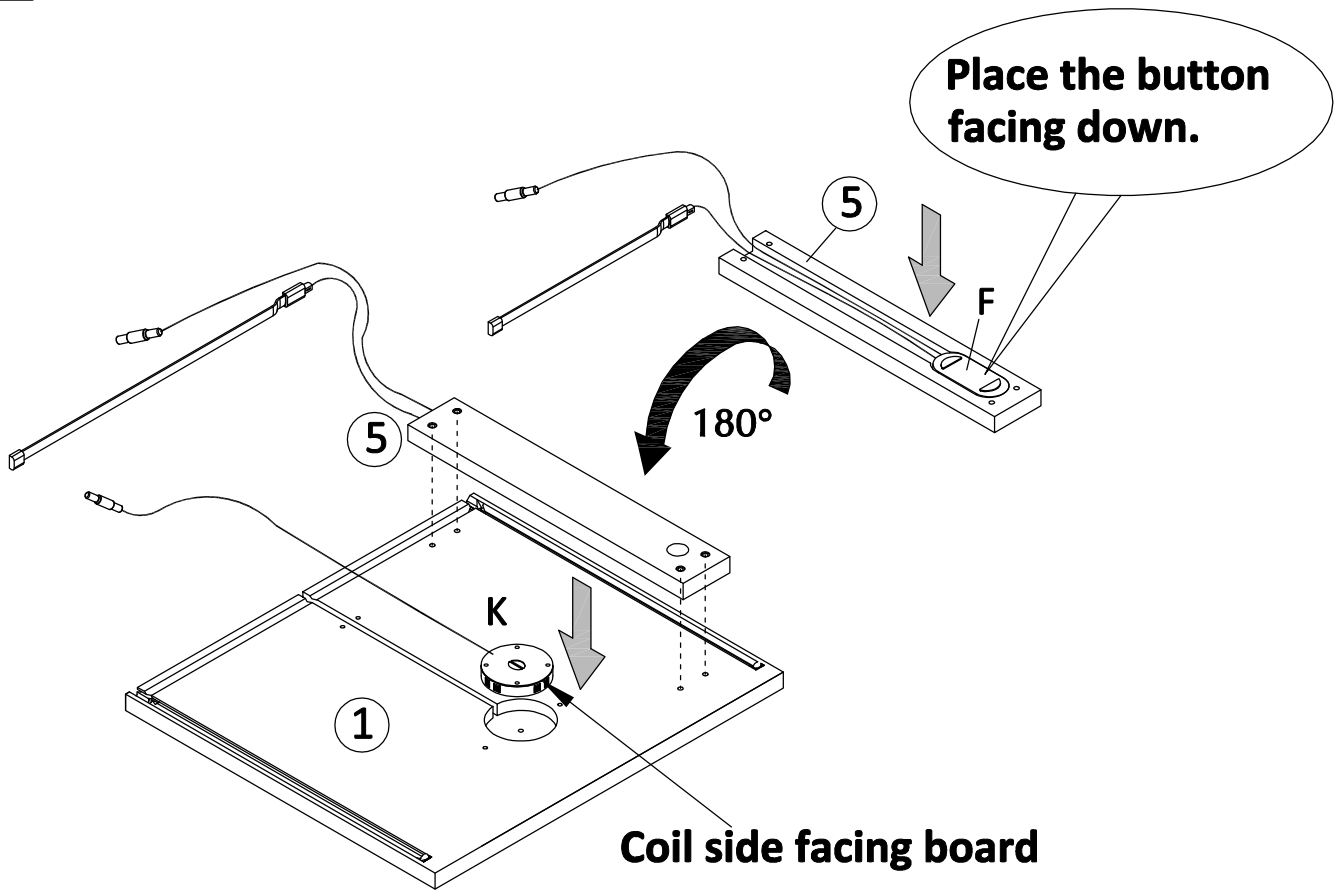
Disassembly Instructions

Use Disassemble rod 'M' and gently slide in to the small triangle as shown below marked 'KEY'

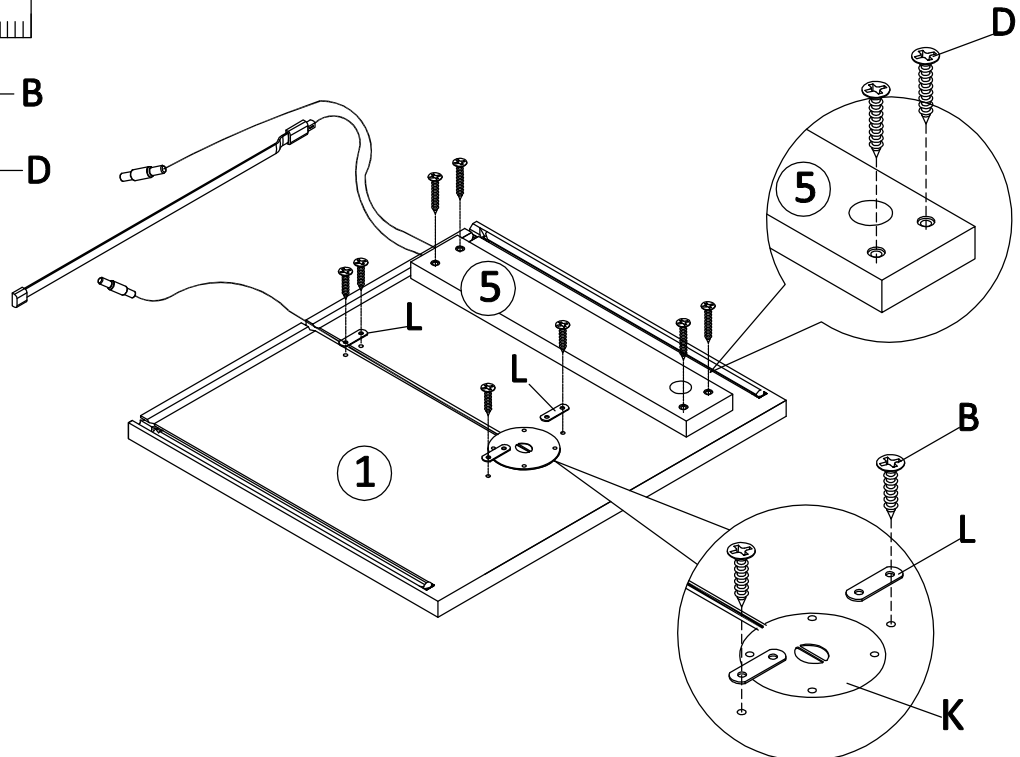
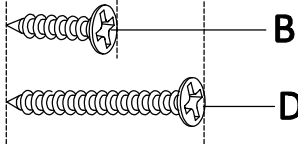
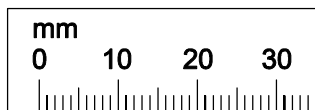
We highly recommend watching the quick help video before disassembling. Simply place a phone camera over the QR code below for a quick link to the video



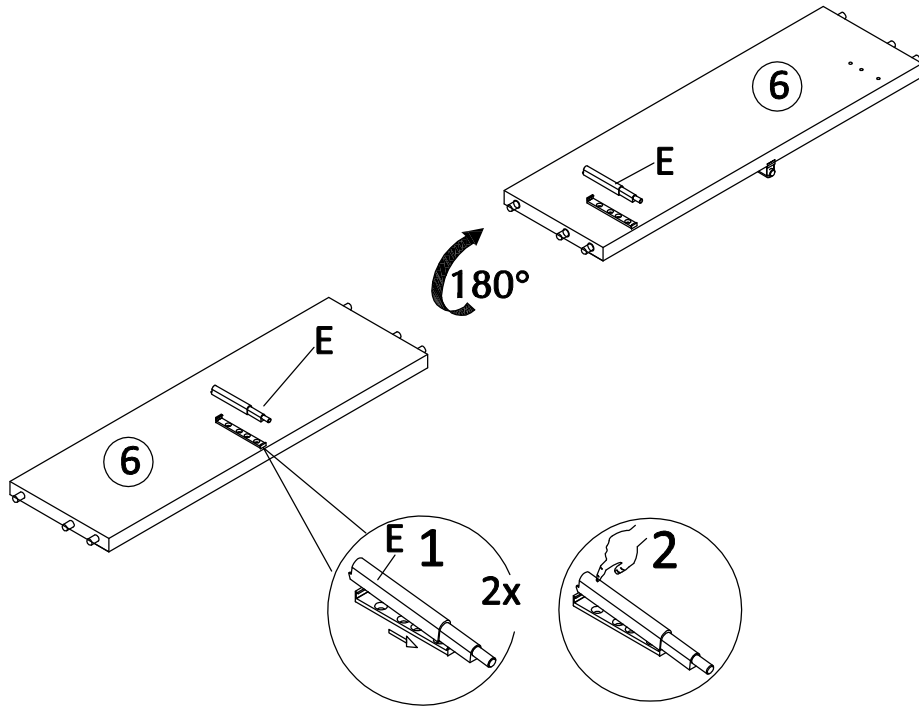
1



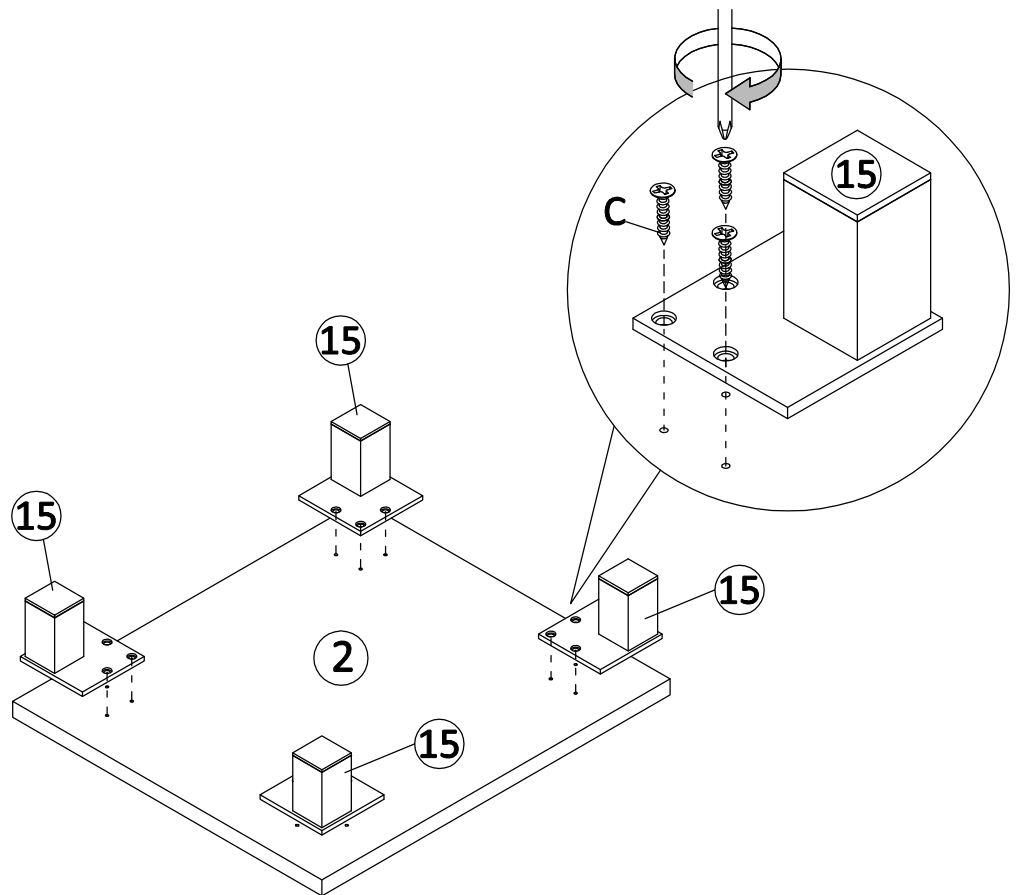
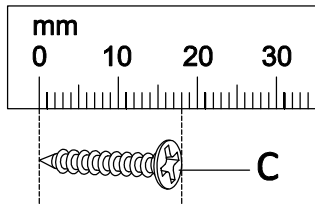
2



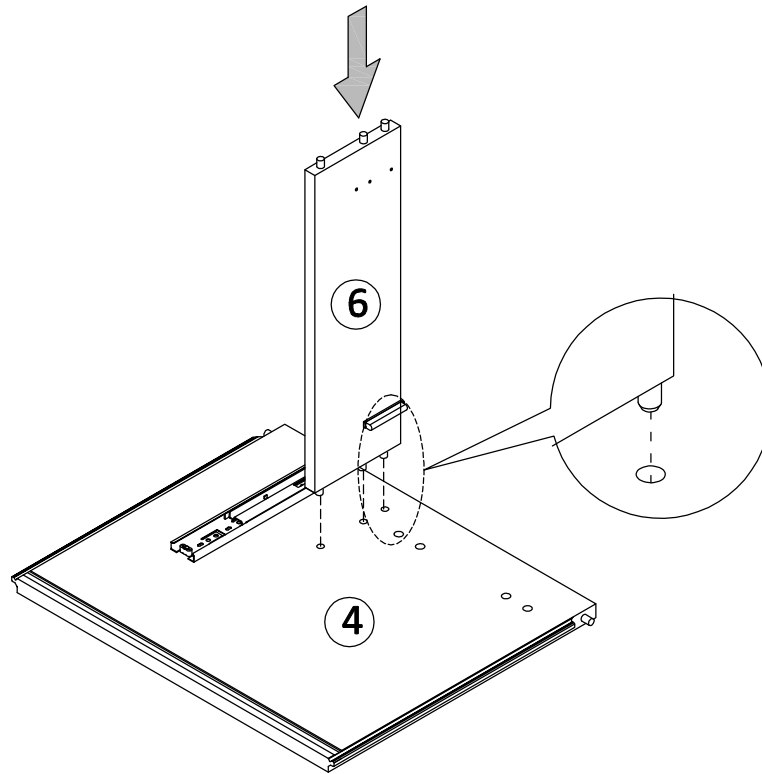
3



4

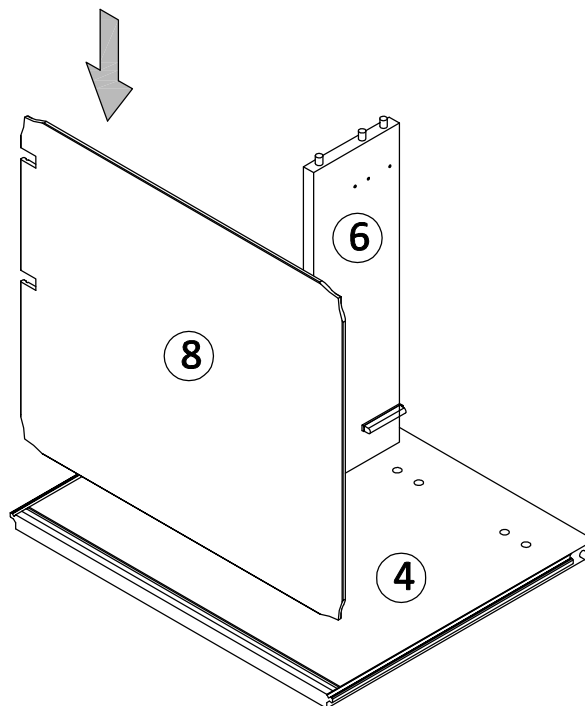


5



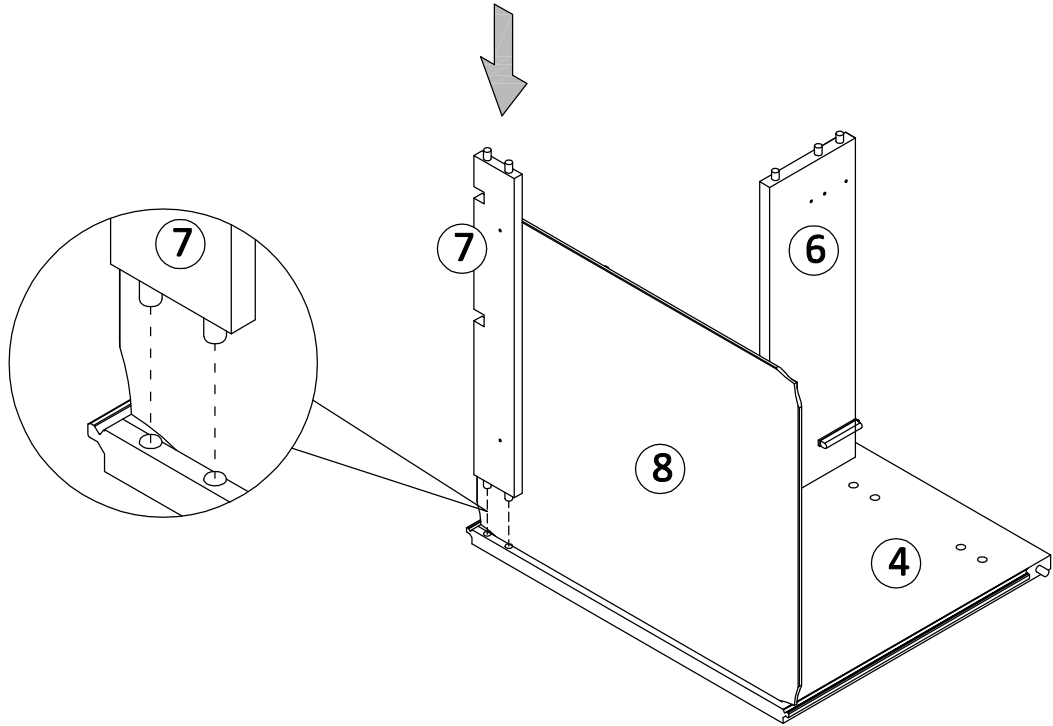
* Ensure Push Open catch faces this side and position

6

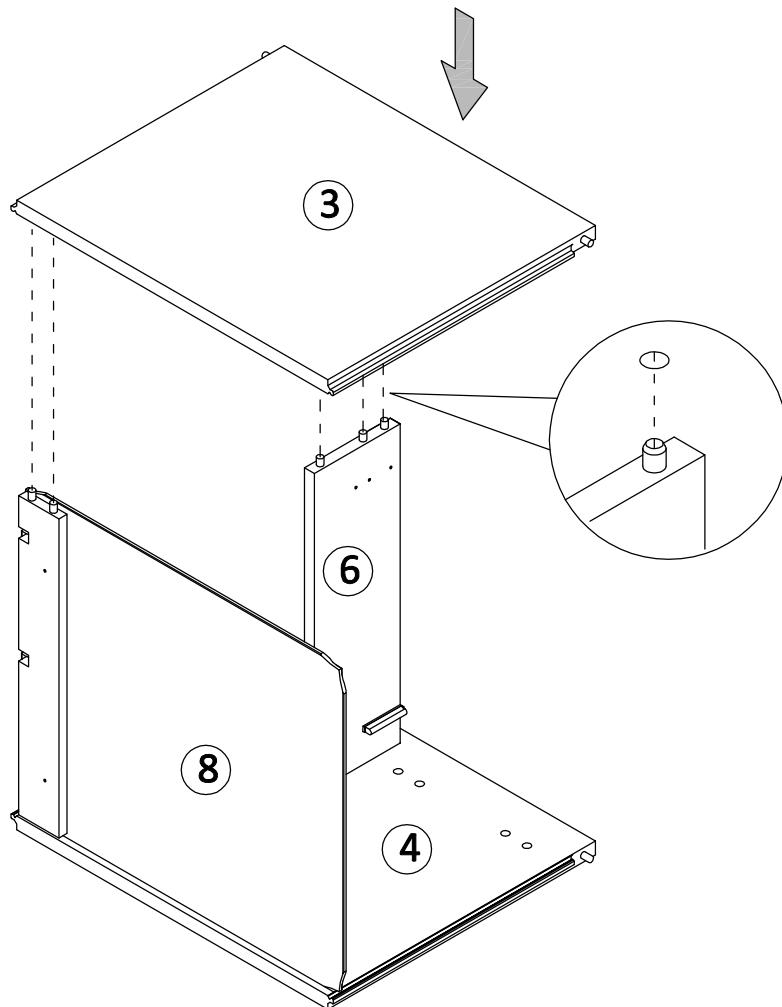


* Grooves on panel must face inside

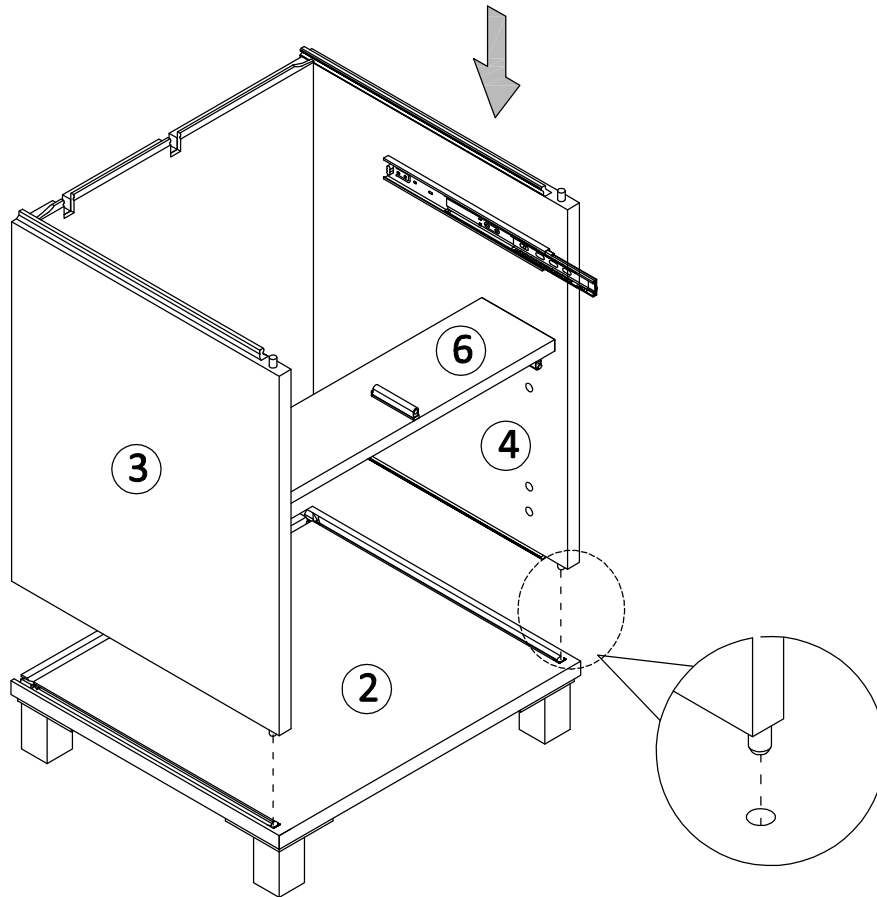
7



8

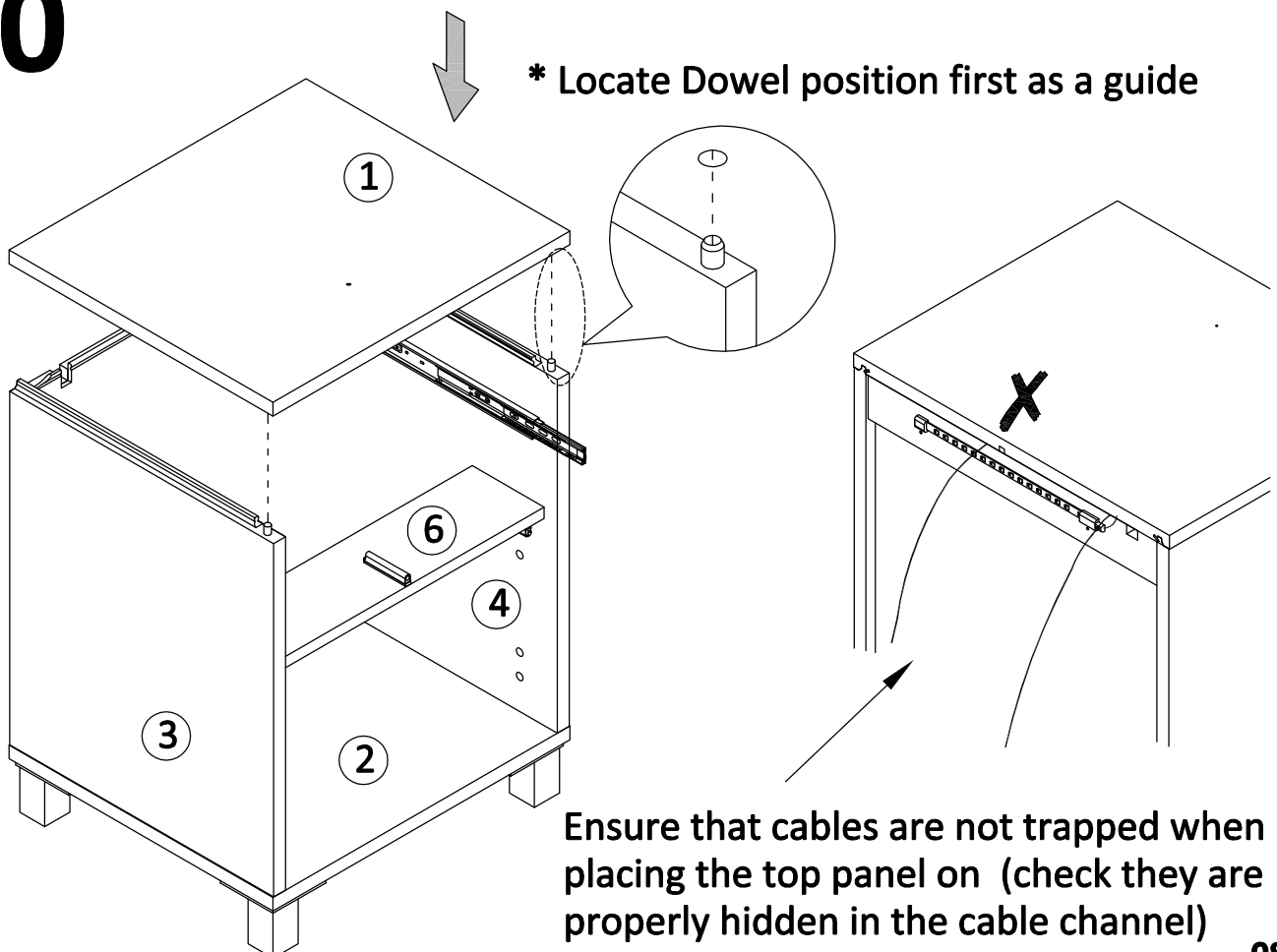


9



* Locate Dowel position first as a guide

10



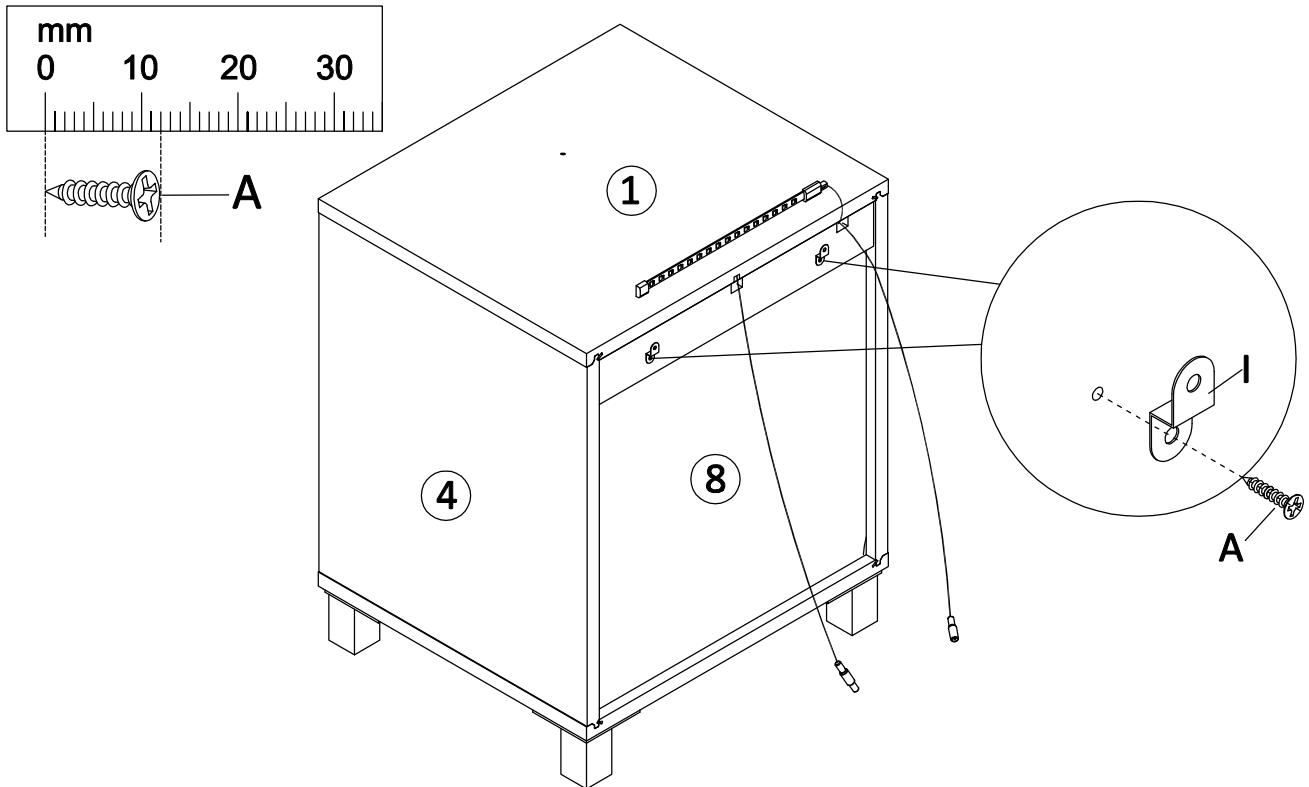
* Locate Dowel position first as a guide

Ensure that cables are not trapped when placing the top panel on (check they are properly hidden in the cable channel)

11

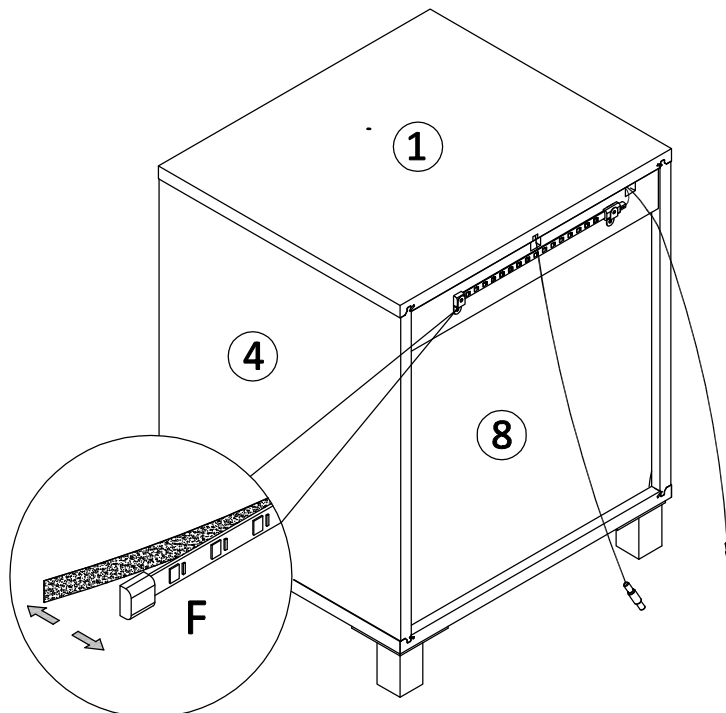
PLEASE FOLLOW THE STEPS TO ENSURE NO DAMAGE.

1. Screw in clip 'I'- ensure surface is DUST FREE



12

CAUTION, When peeling off LED adhesive strip, take extra care to peel ONLY the protective strip, not the adhesive strip.

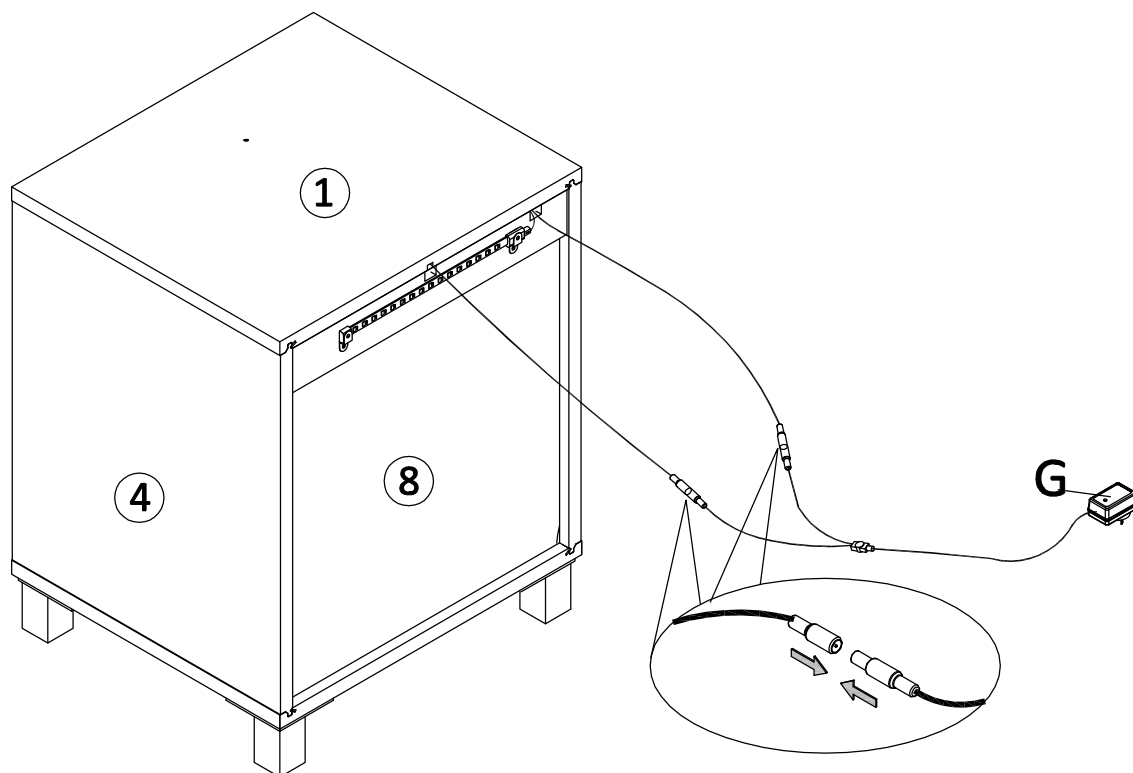


2. Do not remove LED strip backing yet. Place LED strip in position under the clip and lay LED strip in place.

3. Start from the CLIP end, remove the LED strip backing with care and place in position on the edge of the back panel pressing firmly.

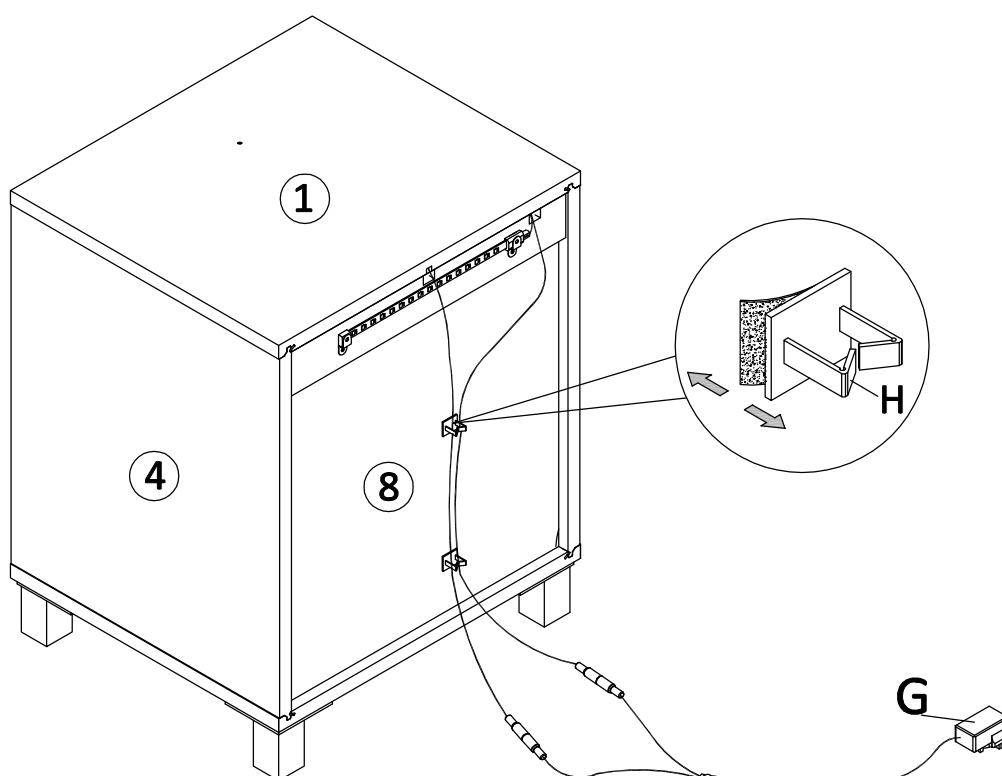
4. Gently pull the wires so that the end of the LED strip is straight and sticking in position.

13

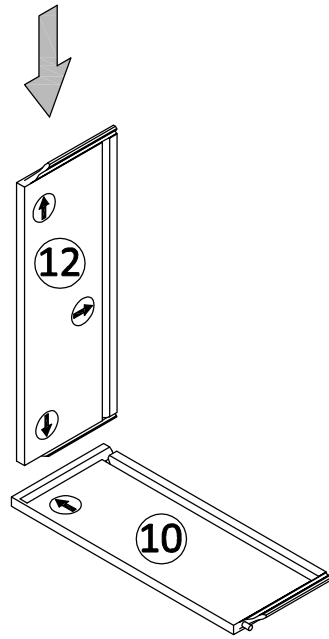


14

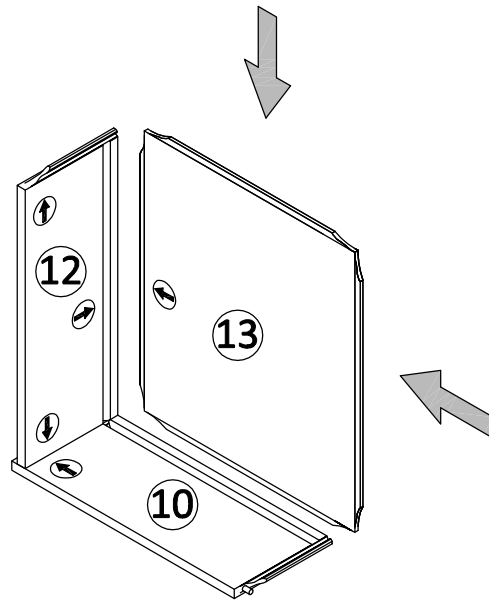
NOTE : See separate instructions provided on setting up the app / LED strip and Alexa voice control.



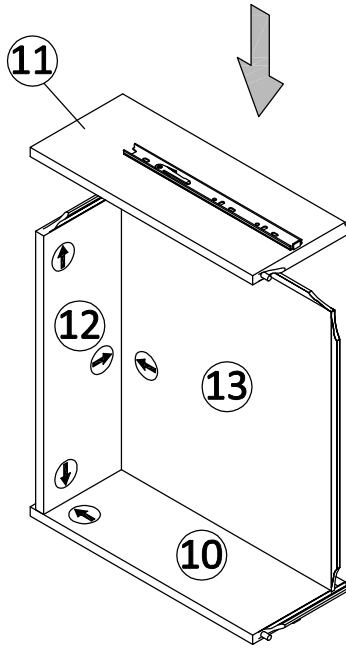
15



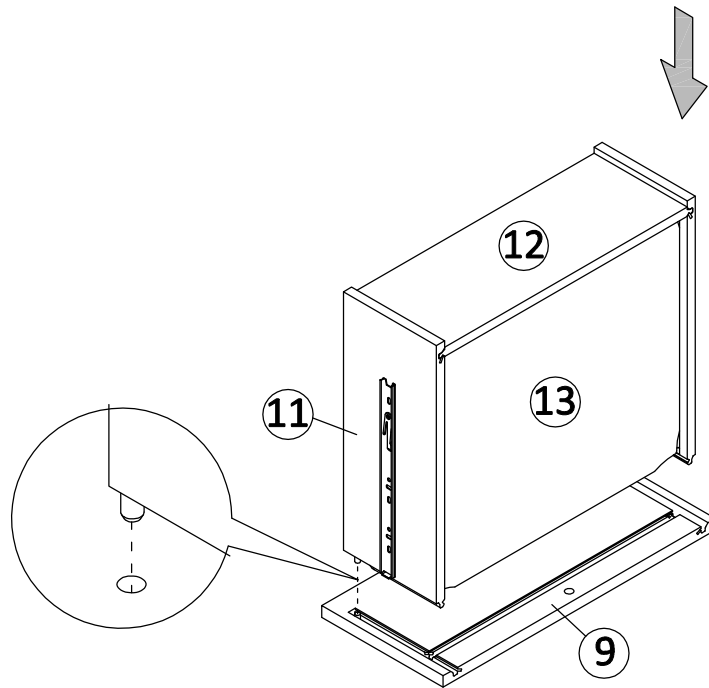
16



17

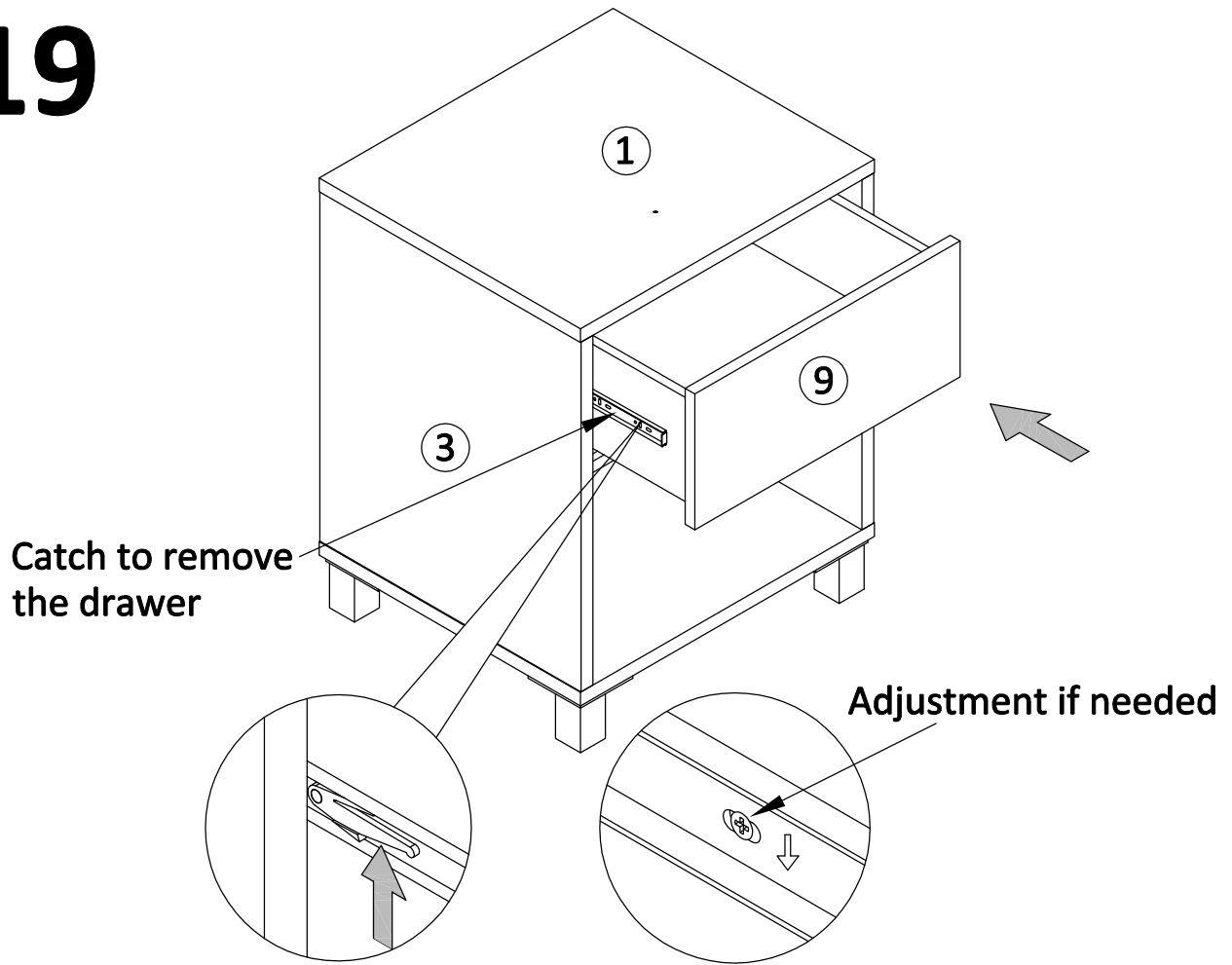


18

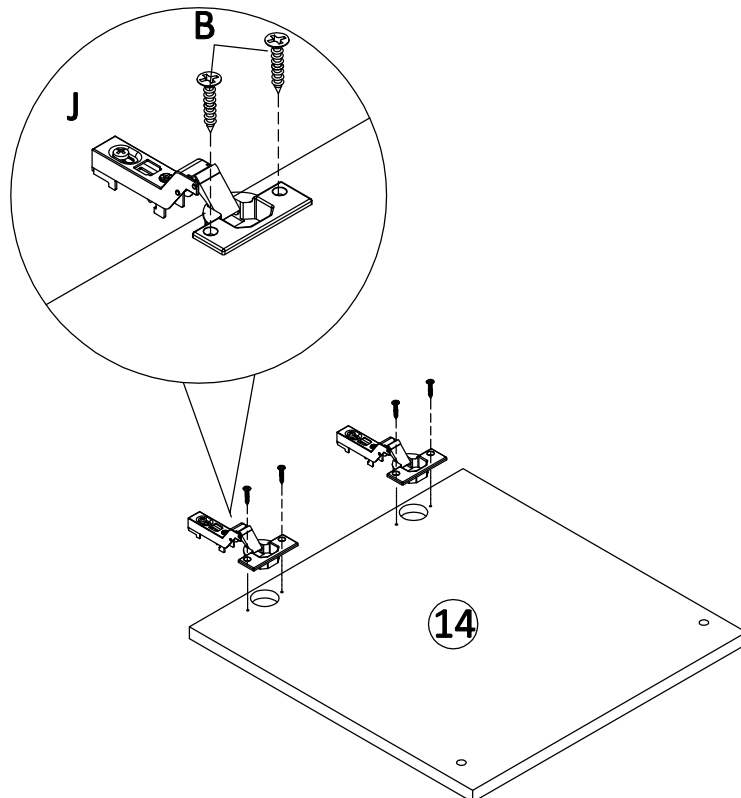
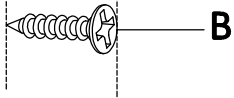
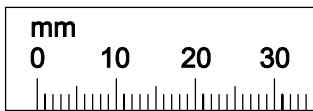


*** Locate Dowel position first as a guide**

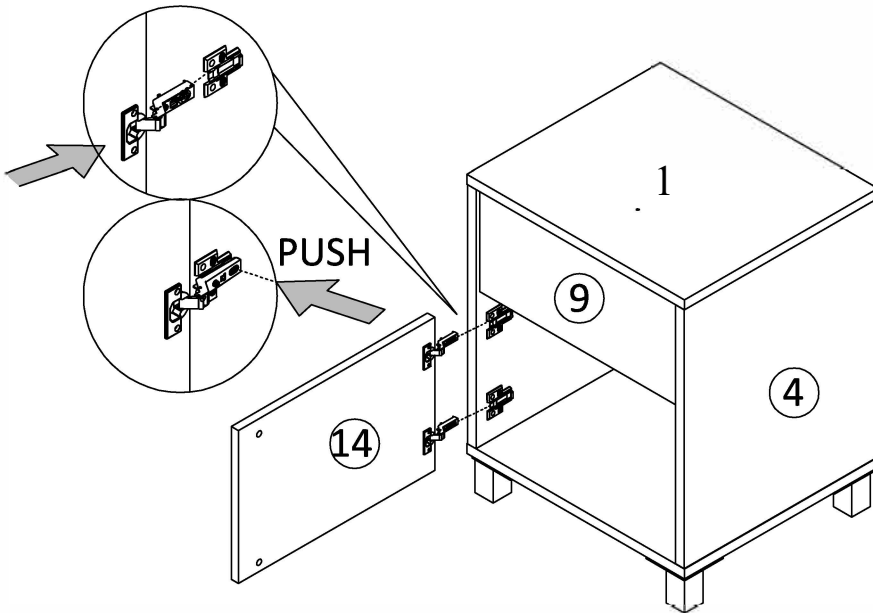
19



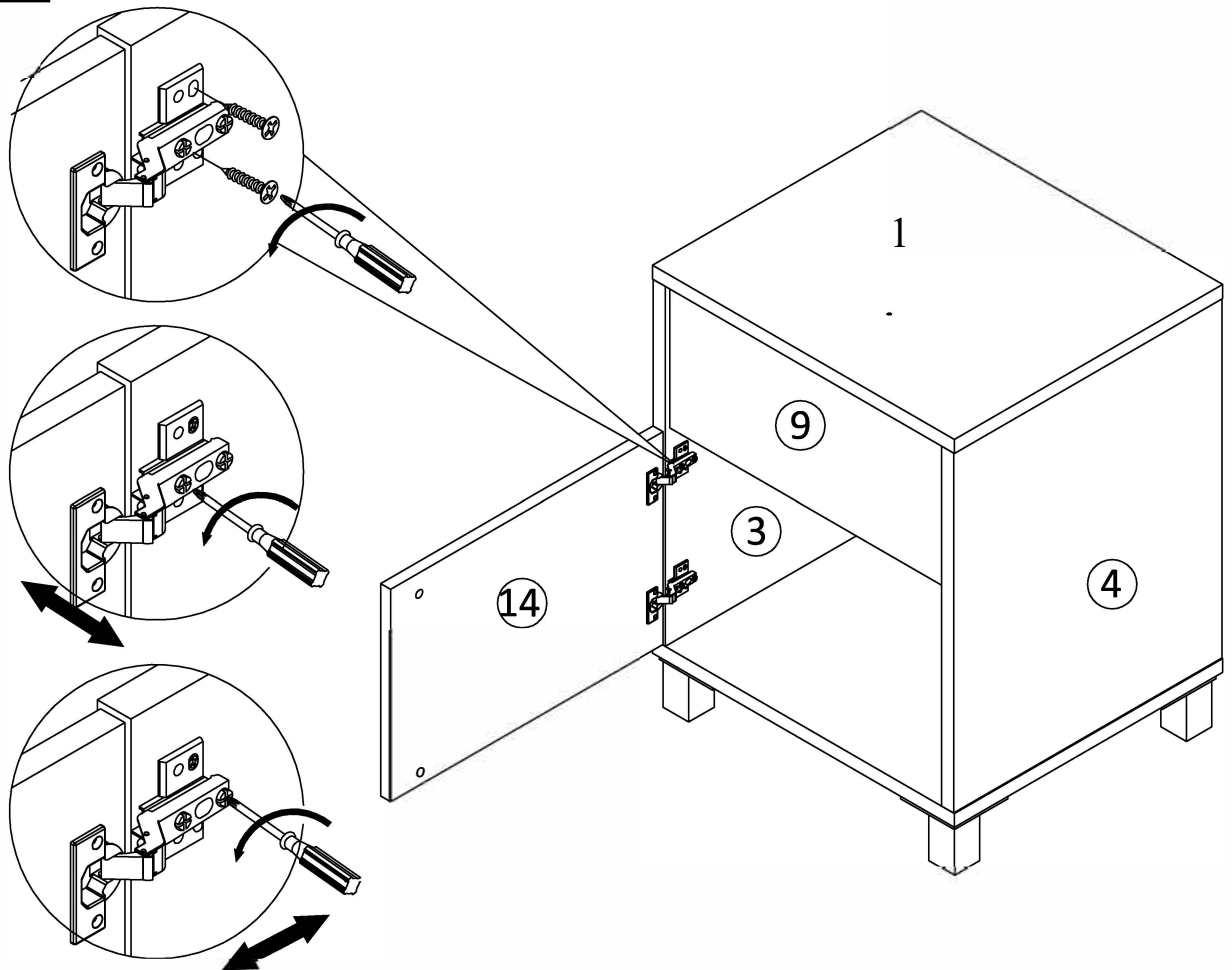
20



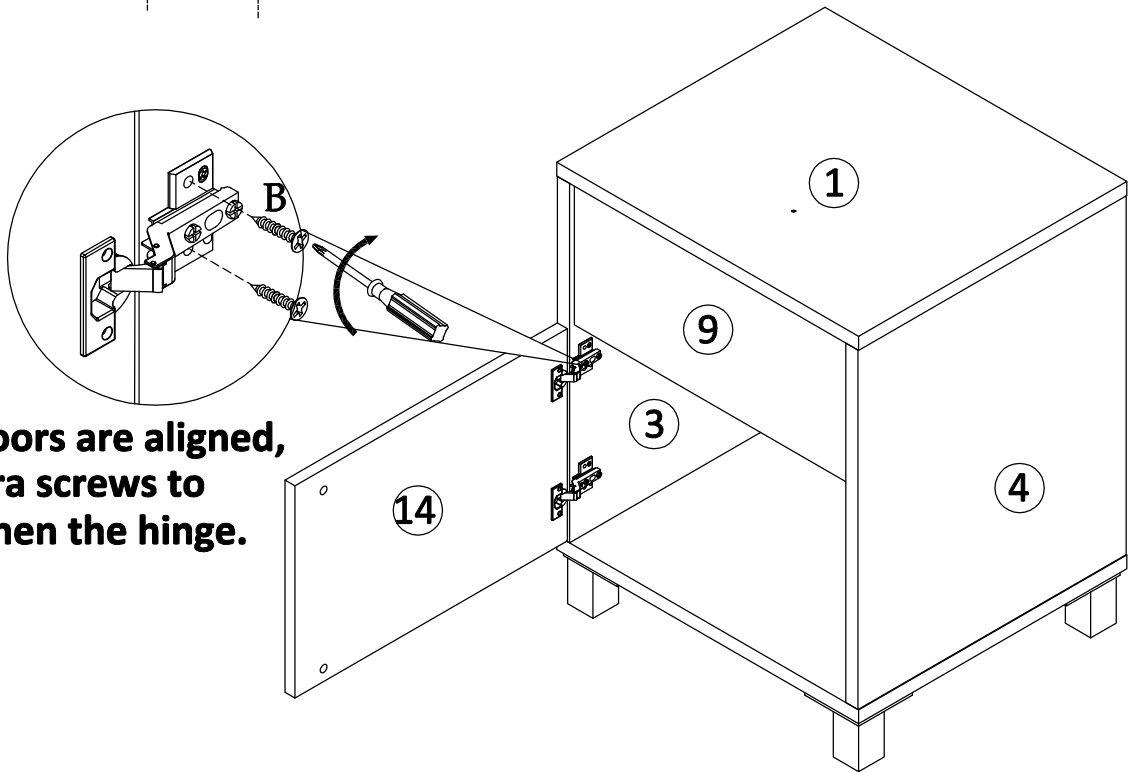
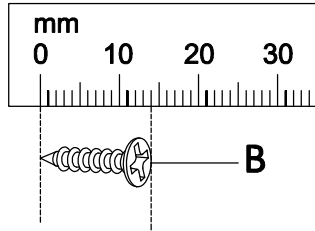
21



22



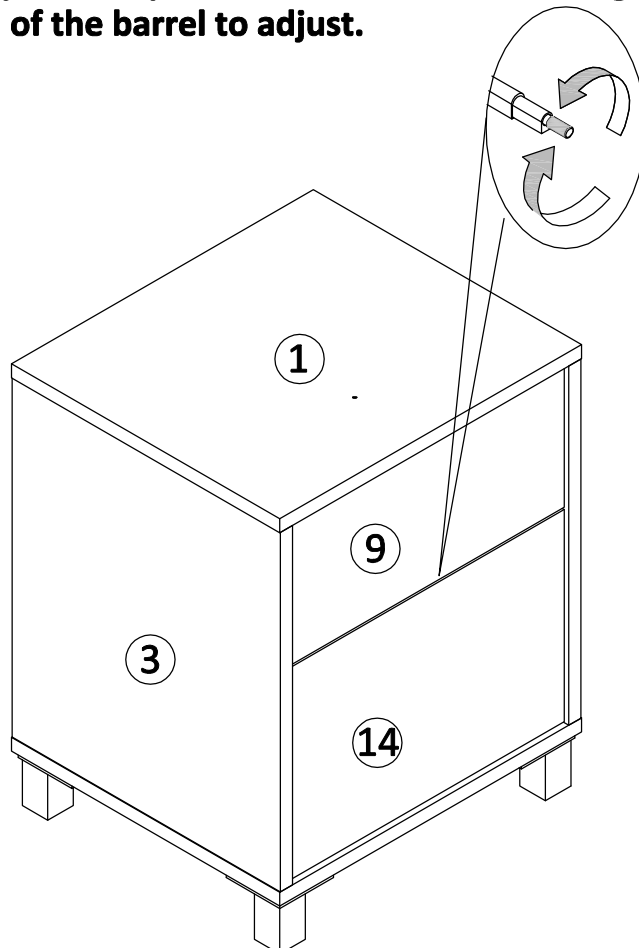
23



Once doors are aligned, use extra screws to strengthen the hinge.

24

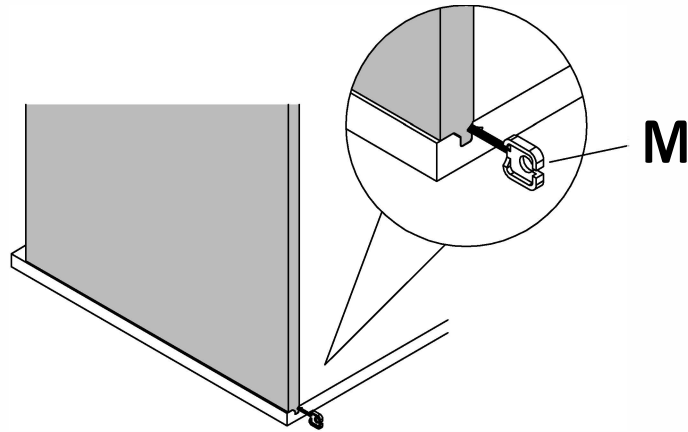
NOTE: If the push to open mechanism is not working properly, Simply turn the end of the barrel to adjust.



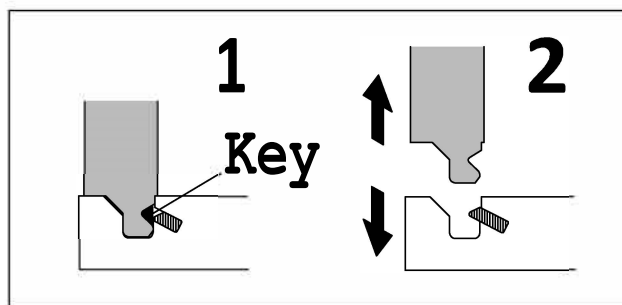
25

Disassembly Instructions

Gently insert Disassembly rod 'M' in to the triangle shown in the diagram as 'KEY' . Once all the way in, the panels will come apart. Due to the click system, the panels may need a gently 'nudge or tap ' to release them.



Insert rod 'M' into each section panel to disassemble panel at a time



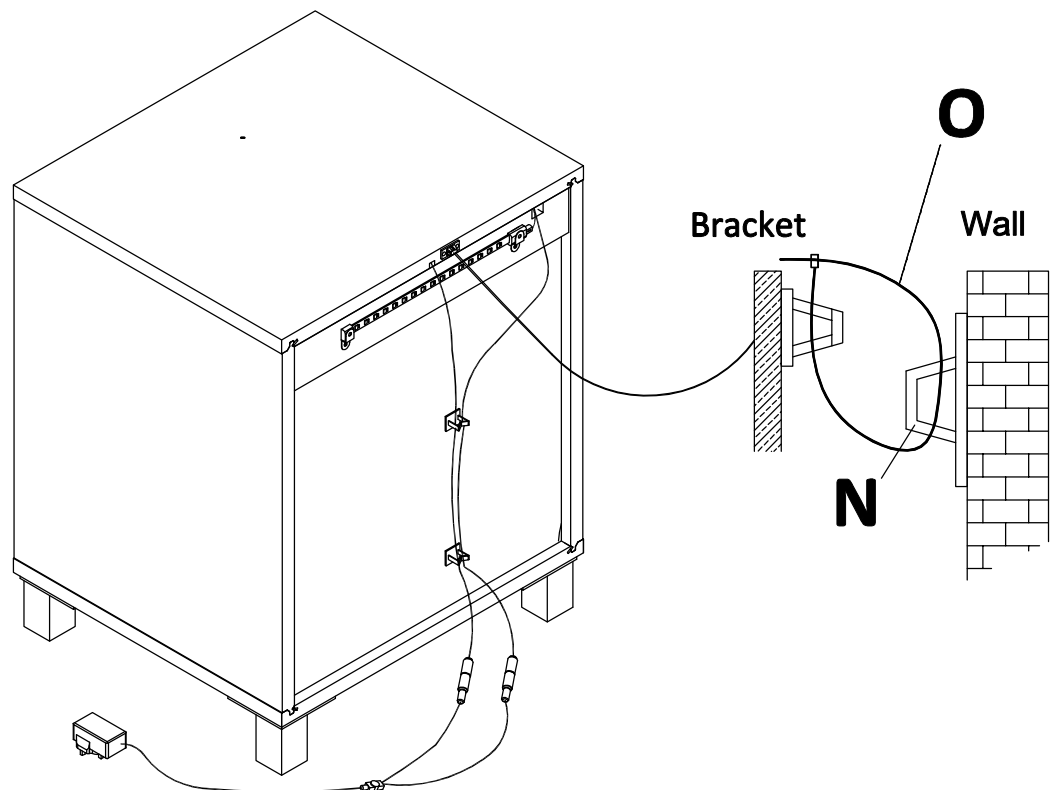
We highly recommend watching the quick help video before disassembling. Simply place a phone camera over the QR code below for a quick link to the video



26

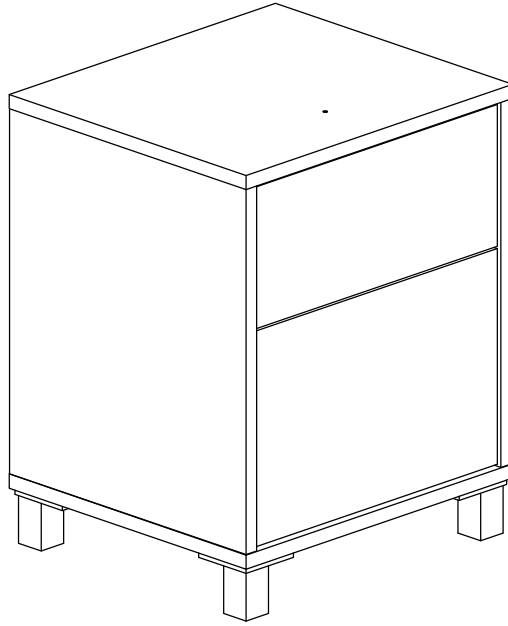
Please read these assembly instructions carefully as failure to adhere and non use of strap or brackets cause the product to move and possibly lead to damage and/or injury if improperly fitted. If in doubt consult a qualified technician.

1. Place the unit into required position.
2. Ensure unit is level before securing to the wall.
3. Attach a bracket (N) to the wall.
4. Move the unit into its final position. Thread a strap (O) through the bracket (N) as show in the below illustration, tighten strap (O) until snug. Do not over tighten.
5. Make sure the bracket (N) is firmly attached to wallboard and unit and the strap (O) is snug.
6. Please note that the wall fixings such as wall plugs are not supplied - please secure the unit to the wall using the appropriate fixings for your wall type.



27

Finish - Remove all visible stickers when assembly is fully completed.



CLEANING ADVICE:

To avoid scratching the surfaces, clean only with a non abrasive cleaner.

NOTES ON SETTING UP WIFI

The LEDS lights only work on 2.4 GHz, they will not work on 5.0 GHz

Most homes are 2.4 GHz or operate a dual function. If for any reason the LED lights are not connecting to the app or Alexa, please check the router setting. Most routers will operate both 2.4 and 5.00 GHz so there should be no problem.

In commercial premises, there maybe software to block access connection to unknown apps or services. If this happens, please check with IT Department.

The system will work from a mobile WiFi hotspot from one phone to another. We recommend this approach if there are access issues.

Ensure Bluetooth setting is on.

Using the wireless charging

The wireless charging will only work with Qi enabled wireless charging phones. Please check the phone is wireless charging compatible.

Note: We recommend removing the phone case during the charging process

- Using the plug provided, connect the wireless charger cable to the plug and connect to the power source.
- To charge your phone, simply place the phone on the charging position indicator and the phone will start to charge.
- To check if the charger is working, simply move the phone and if the red light is on, this indicates that the charger is working. You may need to reposition the phone slightly if the red light is not showing.
- For the charger to work properly, the charging position within the back of the phone needs to sit aligned with the central red light.
- An element of heat is created during the wireless charging process, this is perfectly normal and safe. The charger has a built-in temperature control and will not over heat.
- If a phone has a thick case, it may affect the wireless charging, to resolve this remove the phone case during charging.
- If a phone case is used and charging process seems to stop and start, remove the phone case and try again, this should work better.

NOTE : there may be a few second delay for the phone to register as charging which is normal.