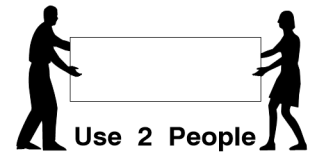


9013 6 Drawer Dresser

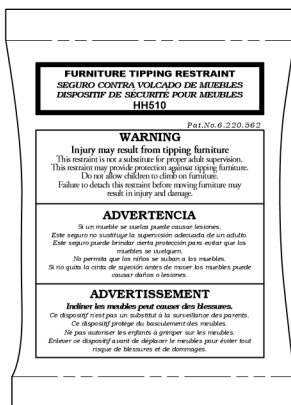
Assembly Instructions

WI-0724



Note: Do not assemble using power tools. This can cause the bolts to be overtightened

WARNING



Anti Tipping Kit
Anti Tipping Kit x 1



Children have died from furniture tipover.

To reduce the risk of furniture tipover:

- ALWAYS install anti-tip device provided.
- NEVER put a TV on this product.
- NEVER allow children to stand, climb, or hang on any drawers, doors or shelves.
- NEVER open more than one drawer at a time.
- DO NOT defeat or remove the drawer interlock system; it is an important stability and safety system.
- Place heaviest items in the lowest drawer.

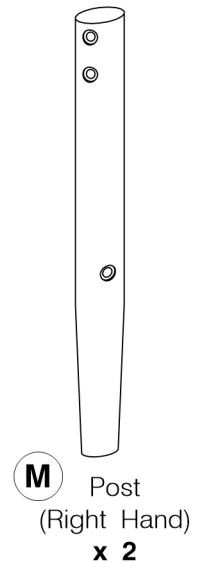
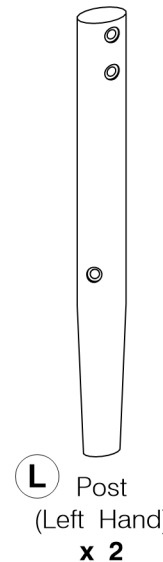
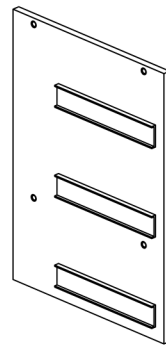
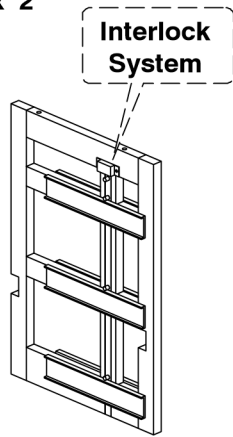
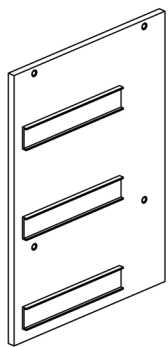
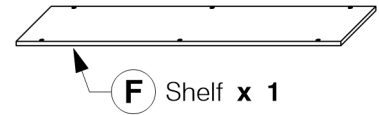
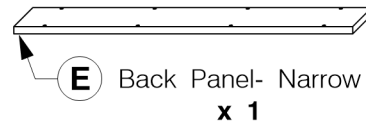
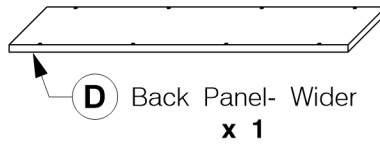
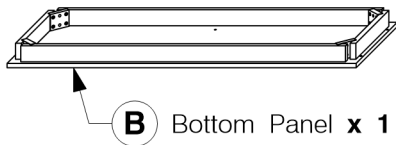
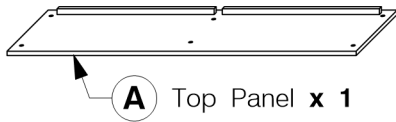
9013 6 Drawer Dresser

Assembly Instructions

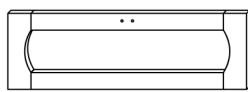
WI-0724

1 Parts List

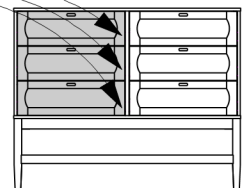
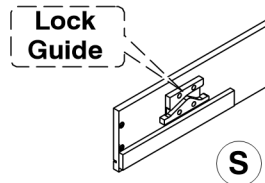
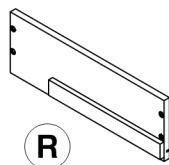
Parts in Box A:



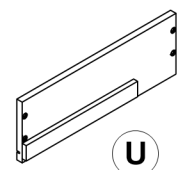
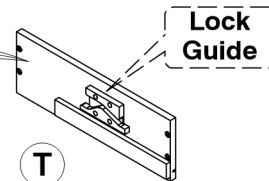
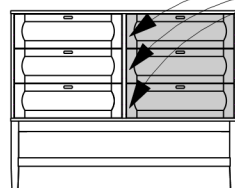
Parts in Box B:



Parts for LEFT Side Drawer



Parts for RIGHT Side Drawer

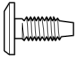



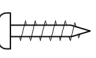
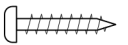






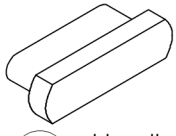



9013 6 Drawer Dresser

Assembly Instructions

WI-0724

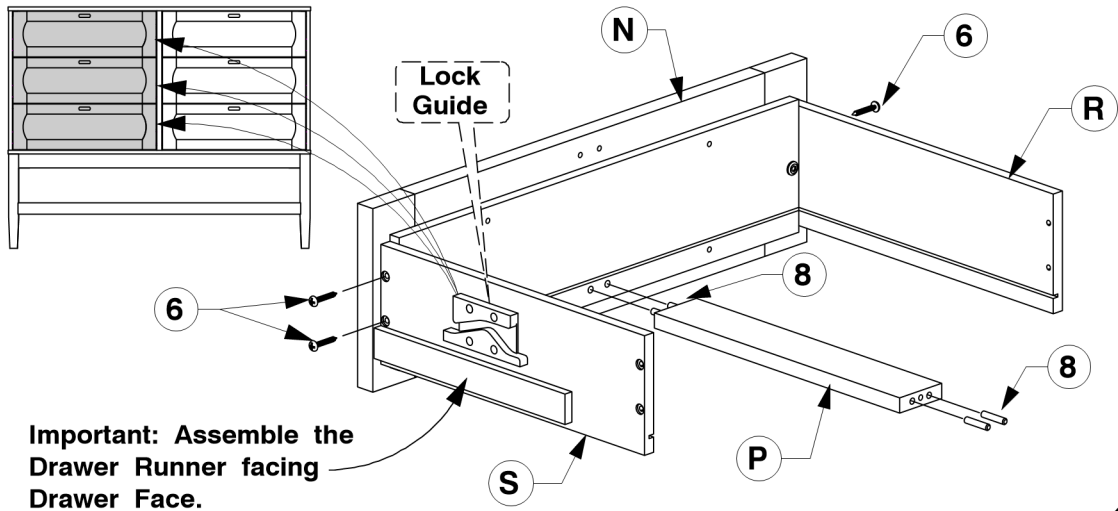
2 Hardware List

- | | | | | |
|--|--|---|---|--|
| 
1 M6 x 15mm JCB
x 28 | 
2 M6 x 30mm JCB
x 2 | 
3 M6 x 40mm JCB
x 4 | 
4 M6 x 60mm JCB
x 10 | 
5 Wood Screw (M4 x 20mm)
x 24 |
| 
6 Wood Screw (M4 x 25mm)
x 60 | 
7 Wood Screw (M4 x 32mm)
x 16 | 
8 M6 x 25mm Wood Dowel
x 24 | 
9 CSK Cap Wood Screw (M6 x 60mm) x 6 | 
10 'L' Bracket (5005-3)
x 14 |
| 
11 Spring Washer x 8 | 
12 Flat Washer x 8 | 
13 M4 x 25mm Wood Screw
x 12 | 
14 Handle (3321-25)
x 6 | 
15 Allen Key x 1 |

3 Assemble the Drawers.

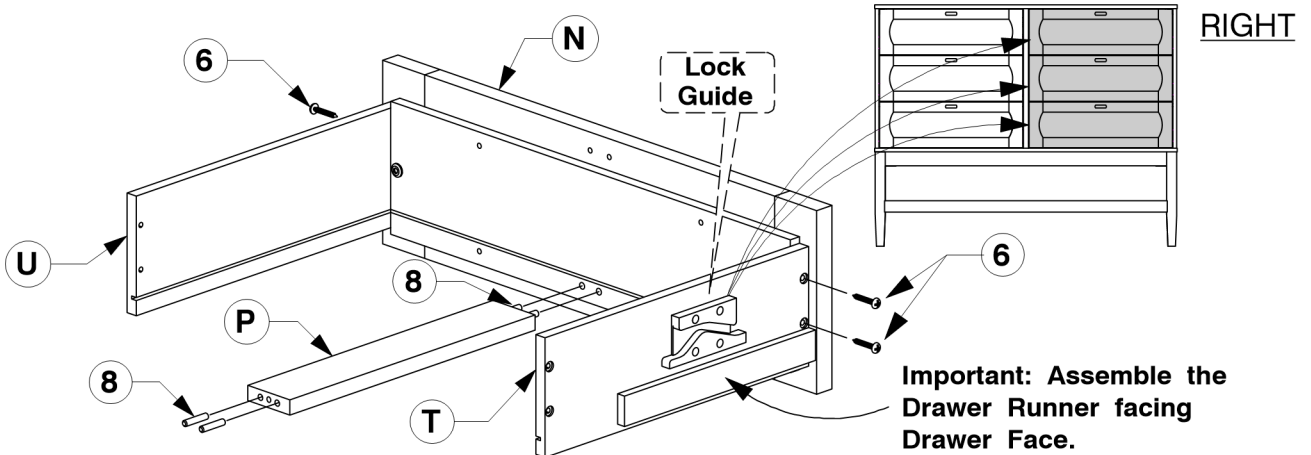
STEP 3.1

LEFT



Important: Assemble the Drawer Runner facing Drawer Face.

X 3



Important: Assemble the Drawer Runner facing Drawer Face.

X 3

RIGHT

9013 6 Drawer Dresser

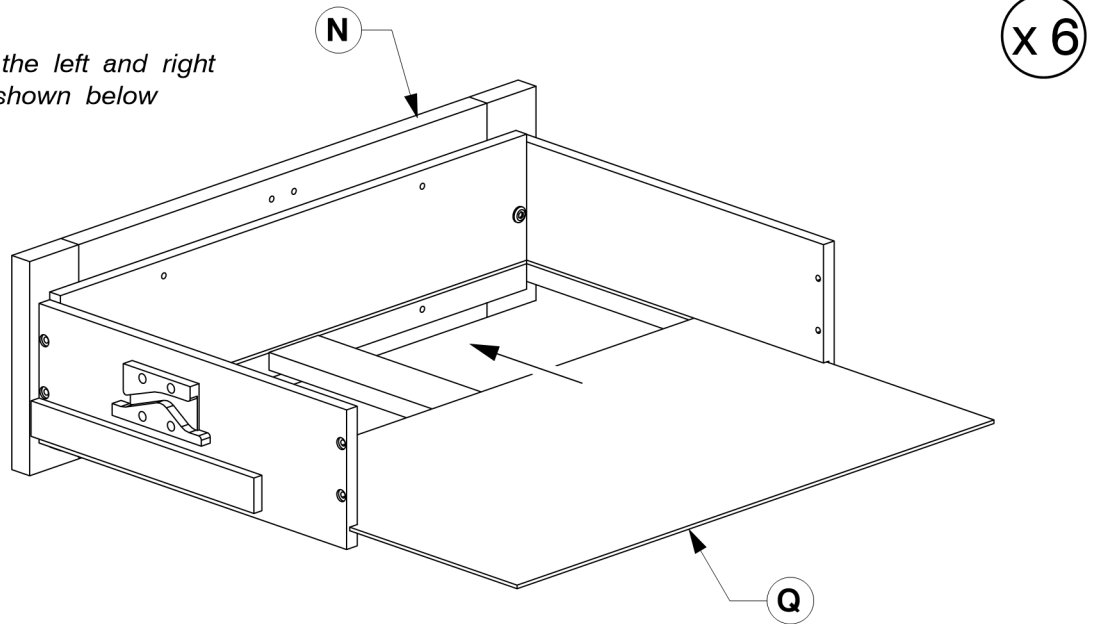
Assembly Instructions

WI-0724

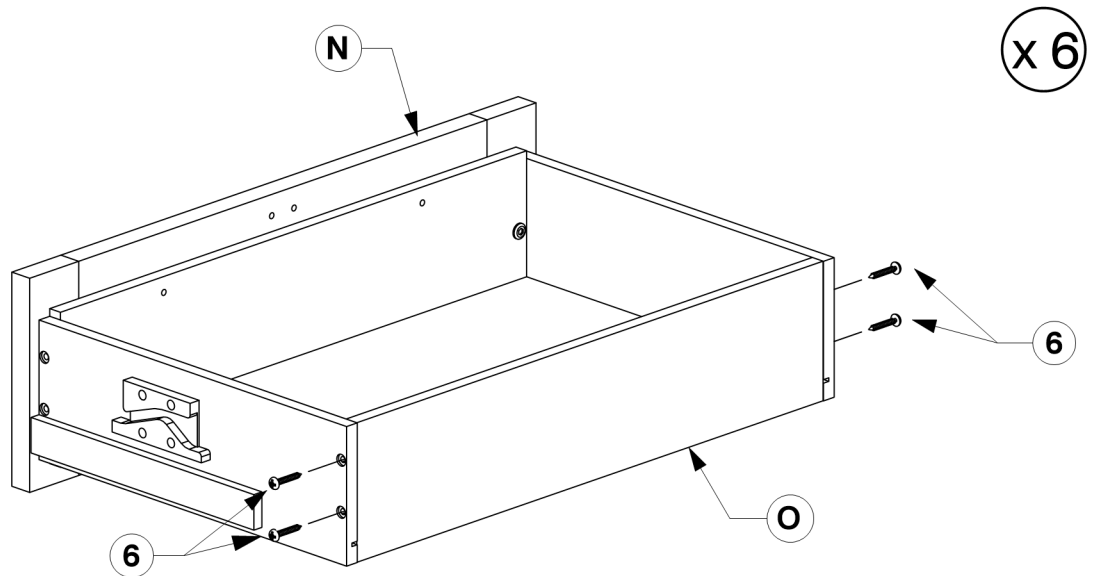
3 Assemble the Drawers.

STEP 3.2

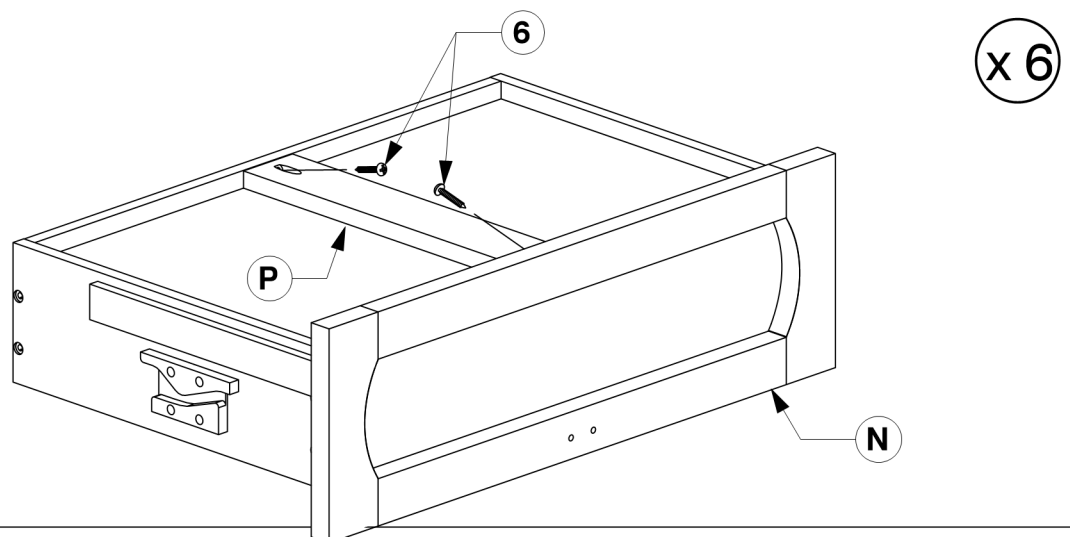
* 3 Assemble the left and right drawers as shown below



STEP 3.3



STEP 3.4

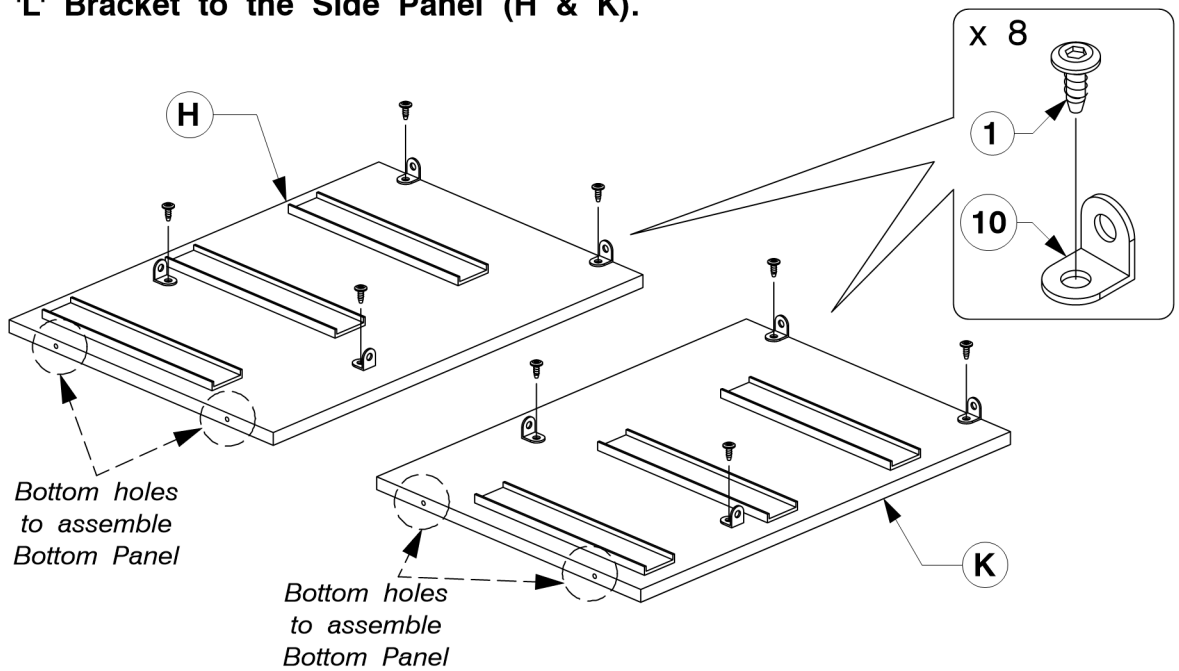


9013 6 Drawer Dresser

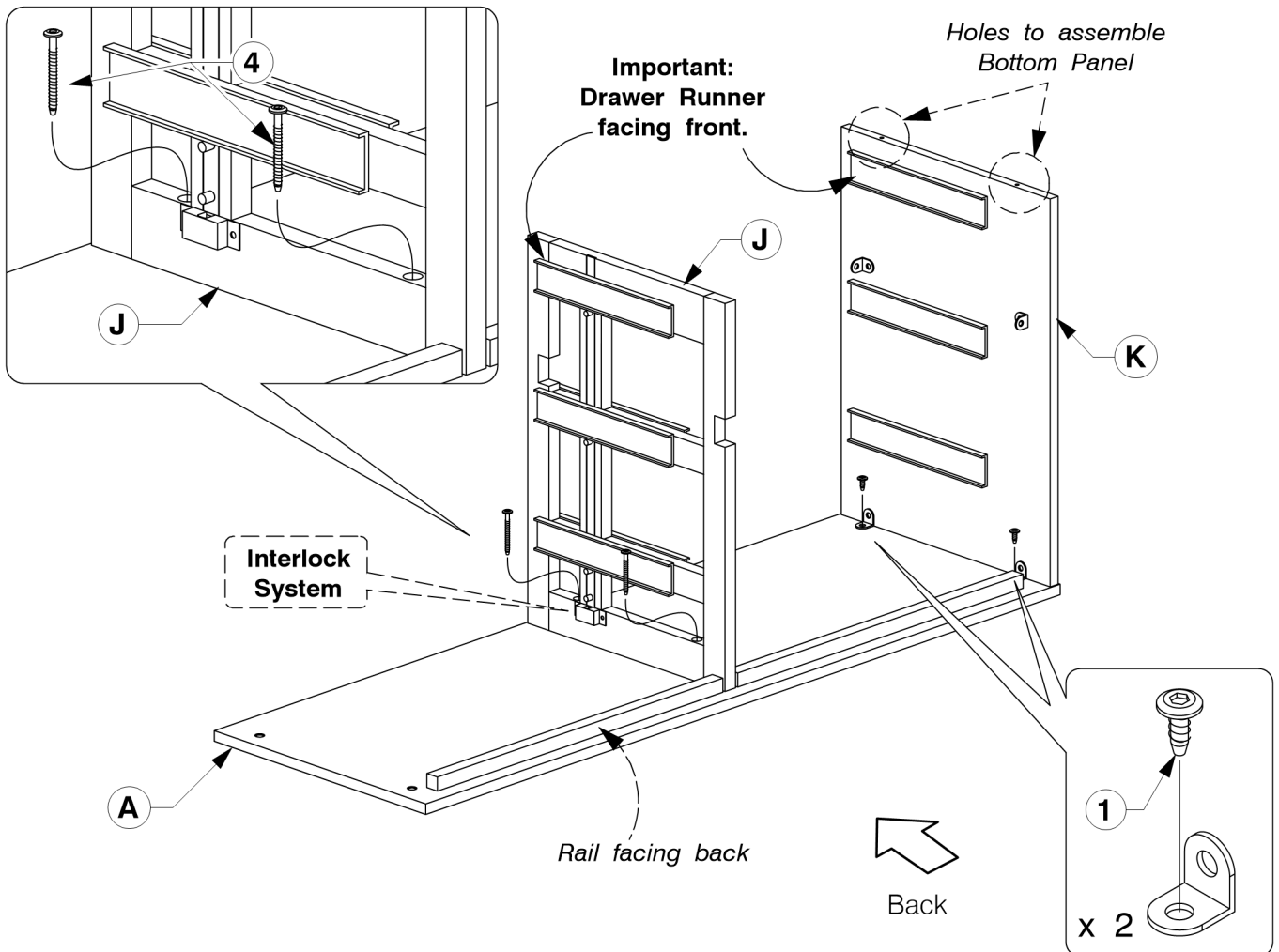
Assembly Instructions

WI-0724

4 Fit the 'L' Bracket to the Side Panel (H & K).



5 Fit the Side Panel- Right Hand (K) & Center Frame (J) to the Top Panel (A).

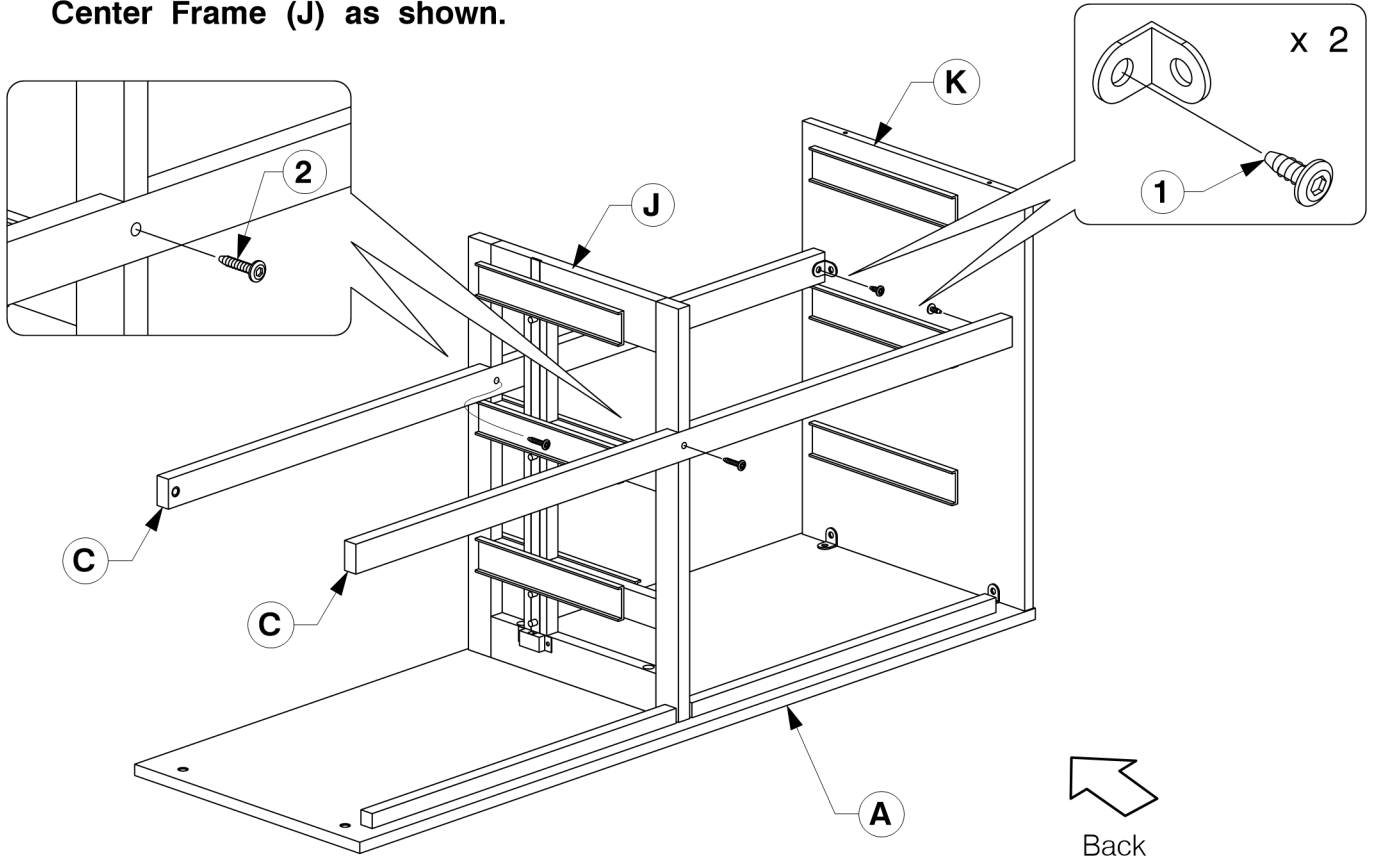


9013 6 Drawer Dresser

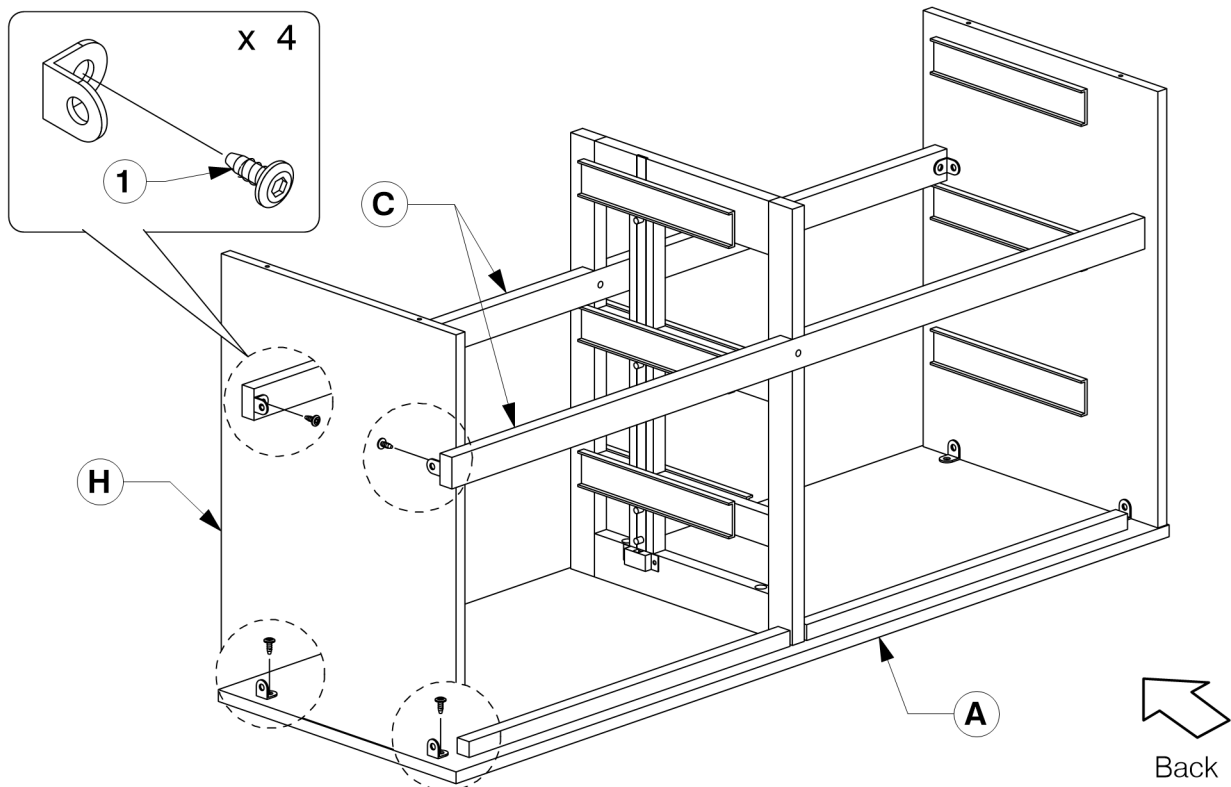
Assembly Instructions

WI-0724

- 6** Fit the Support Bar (C) to the Side Panel- Right Hand (K) & Center Frame (J) as shown.



- 7** Fit the other side of Side Panel- Left Hand (H) to the Top Panel (A) & Support Bar (C).

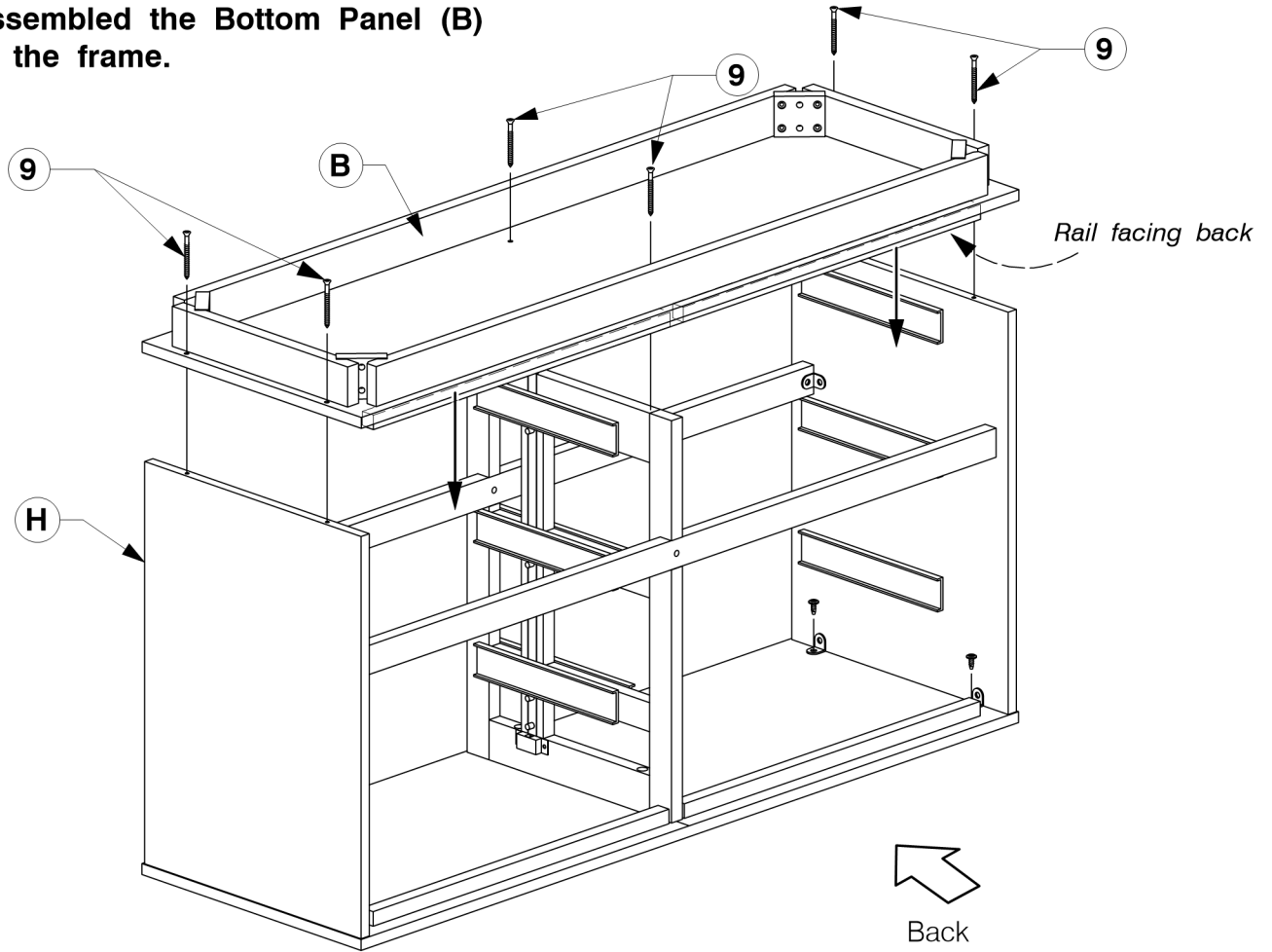


9013 6 Drawer Dresser

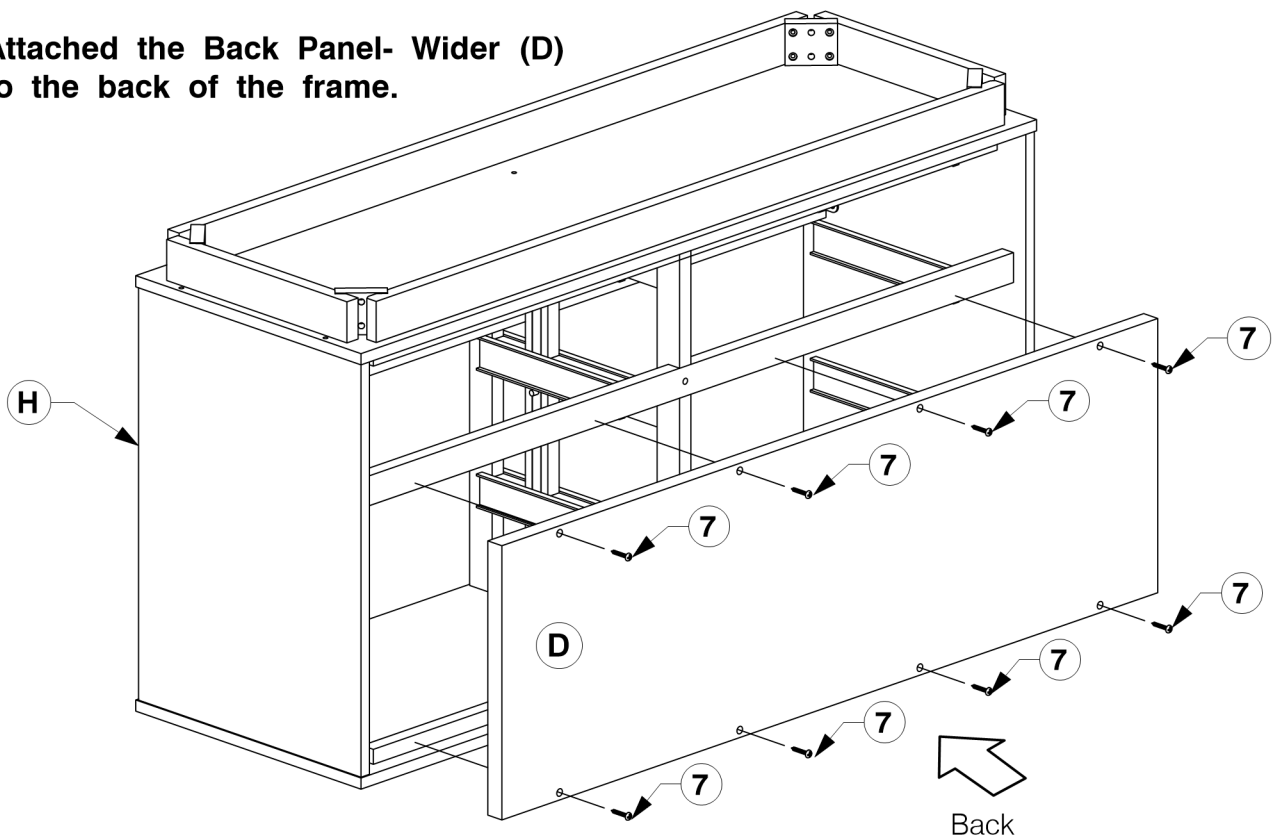
Assembly Instructions

WI-0724

- 8** Assembled the Bottom Panel (B) to the frame.



- 9** Attached the Back Panel- Wider (D) to the back of the frame.

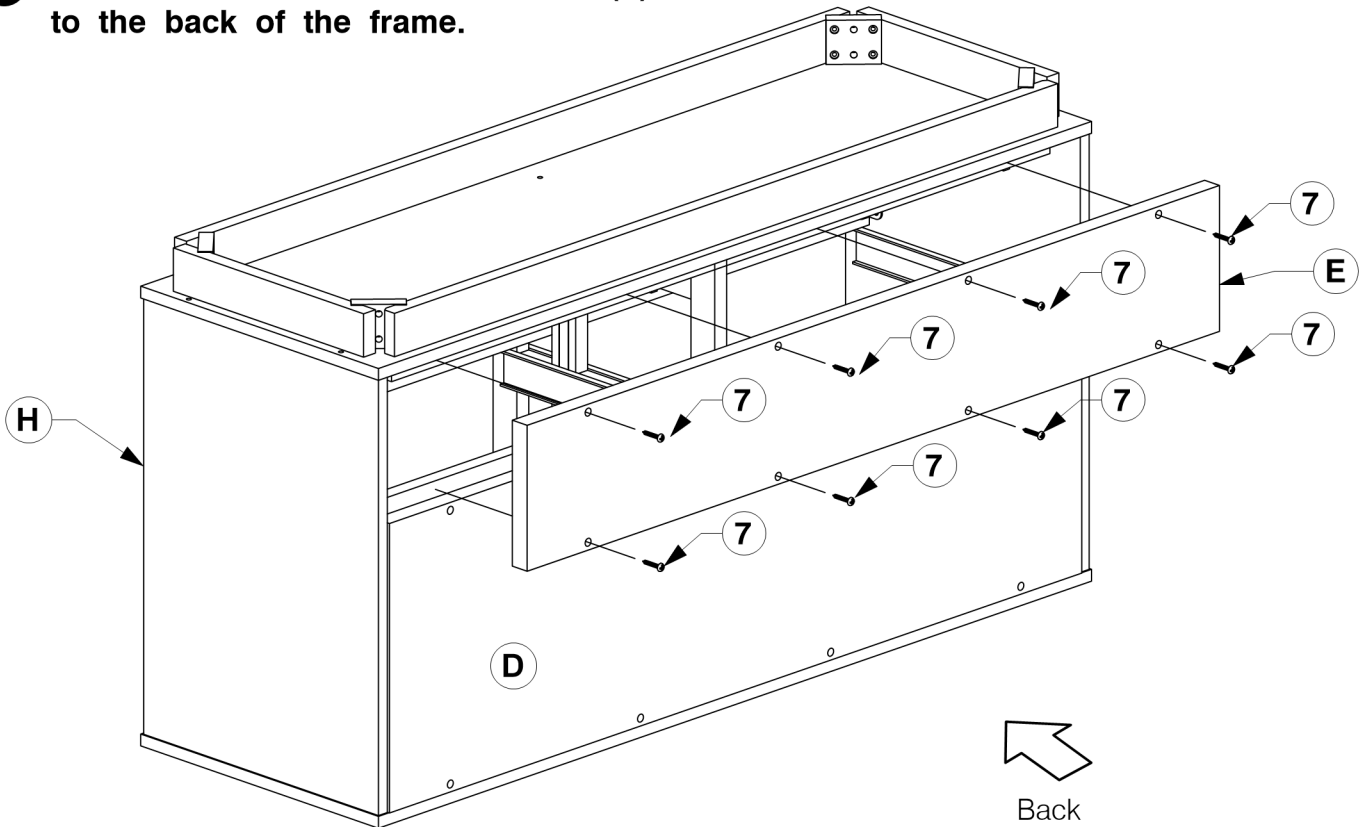


9013 6 Drawer Dresser

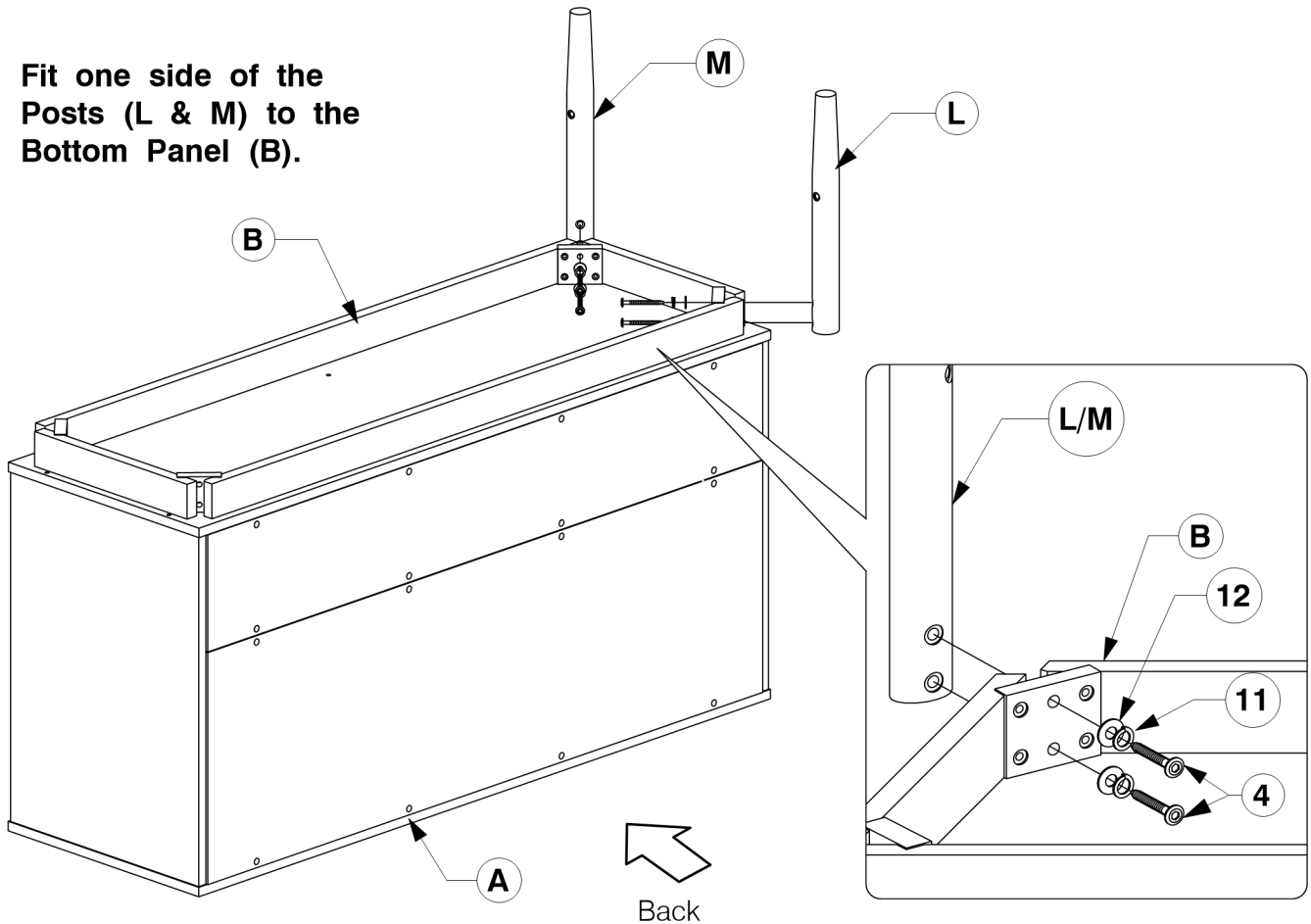
Assembly Instructions

WI-0724

- 10** Attached the Back Panel- Narrow (E) to the back of the frame.



- 11** Fit one side of the Posts (L & M) to the Bottom Panel (B).

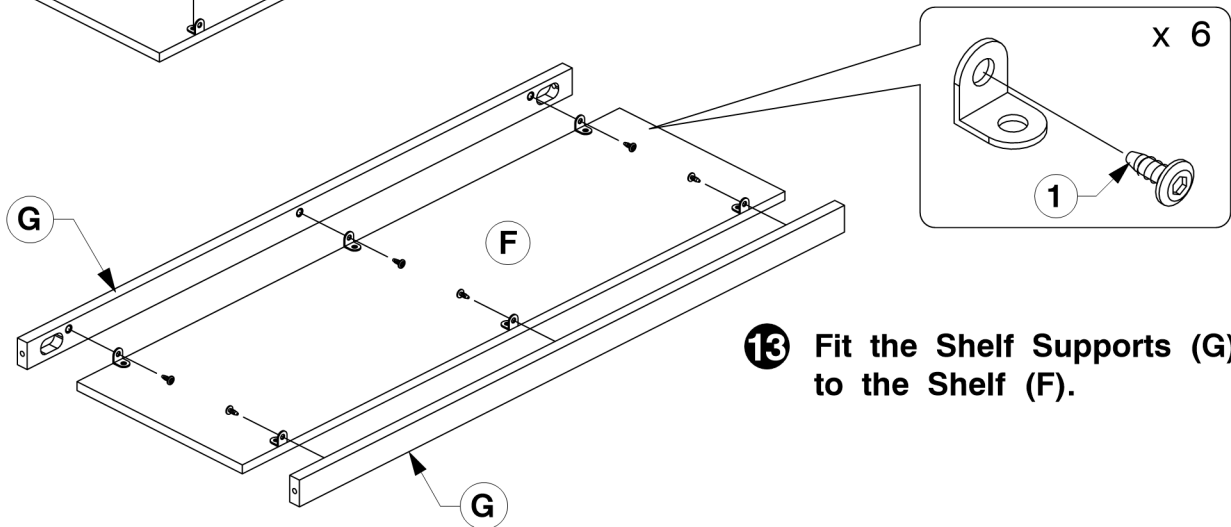
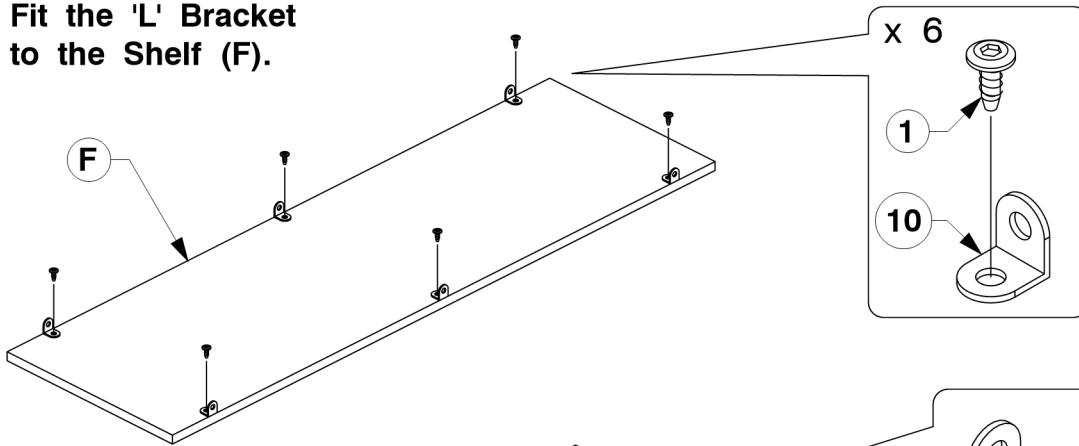


9013 6 Drawer Dresser

Assembly Instructions

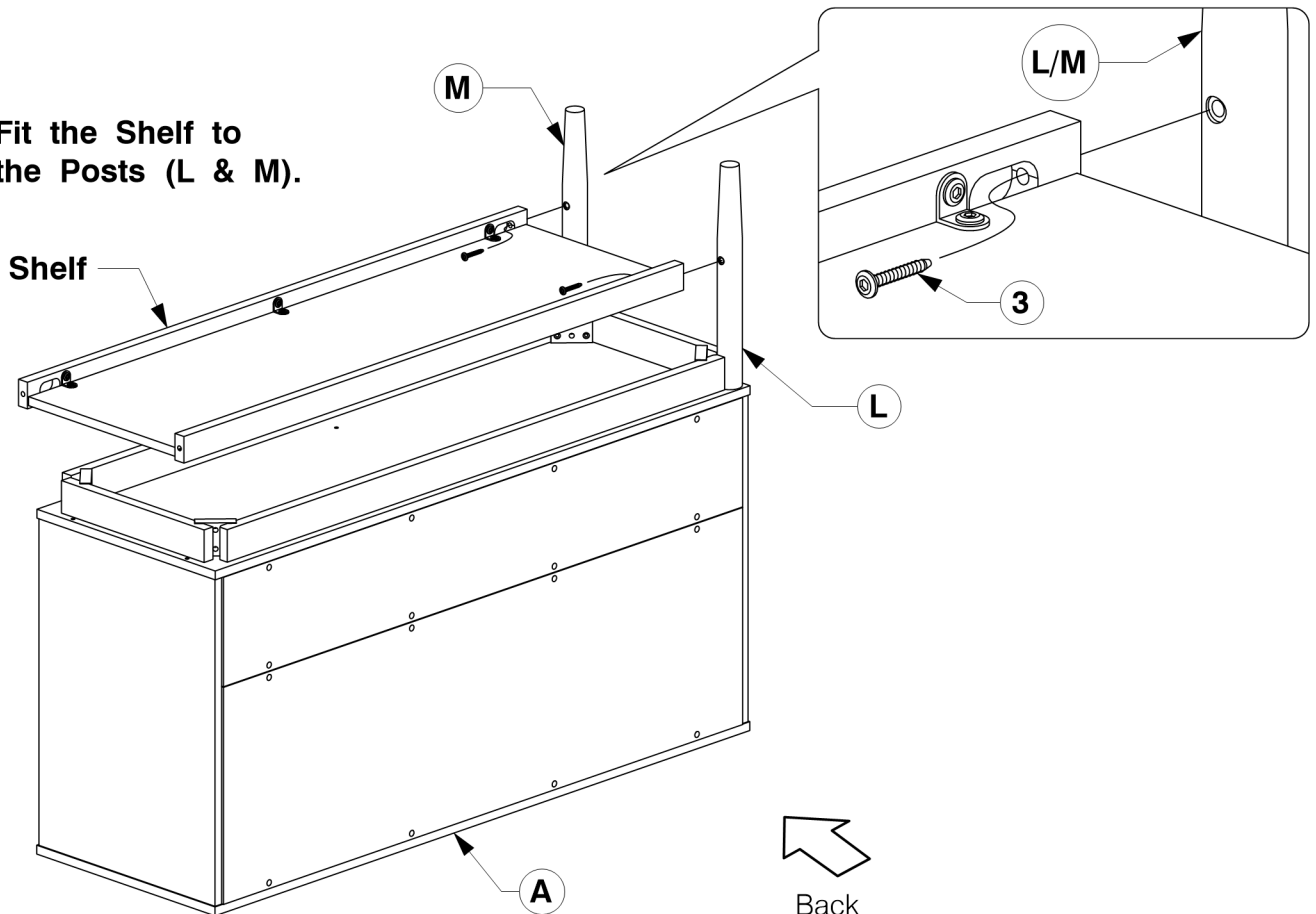
WI-0724

12 Fit the 'L' Bracket to the Shelf (F).



13 Fit the Shelf Supports (G) to the Shelf (F).

14 Fit the Shelf to the Posts (L & M).

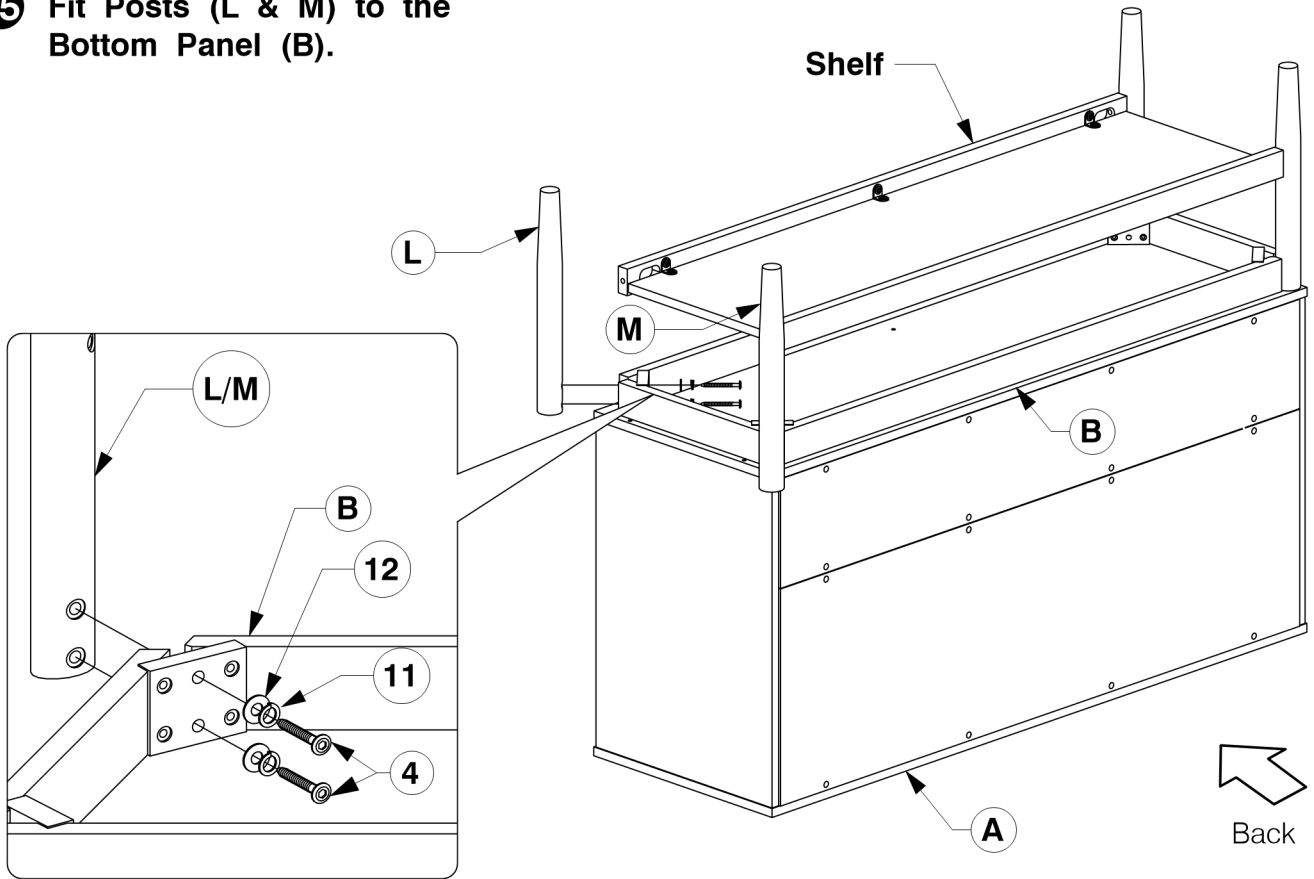


9013 6 Drawer Dresser

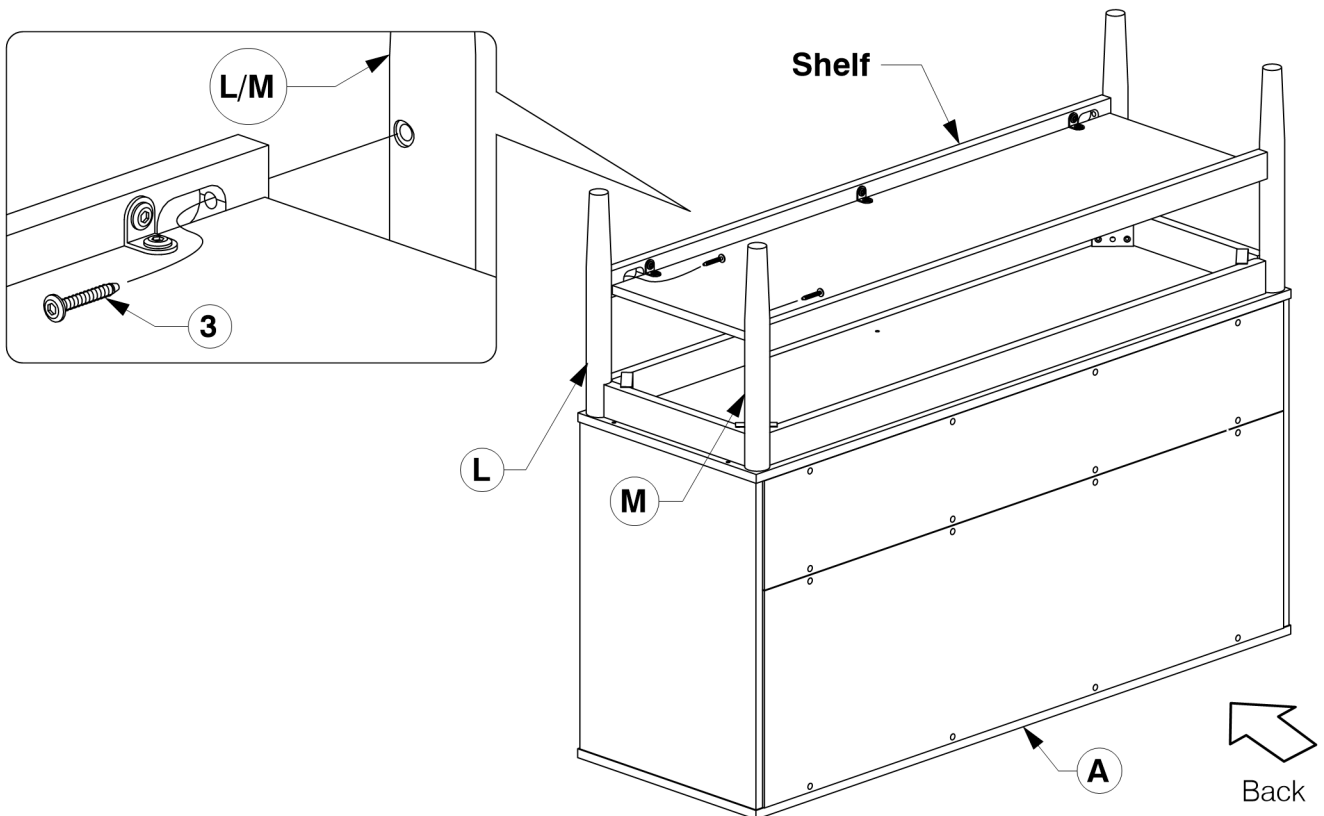
Assembly Instructions

WI-0724

- 15** Fit Posts (L & M) to the Bottom Panel (B).



- 16** Tighten the Shelf to the Posts (L & M).



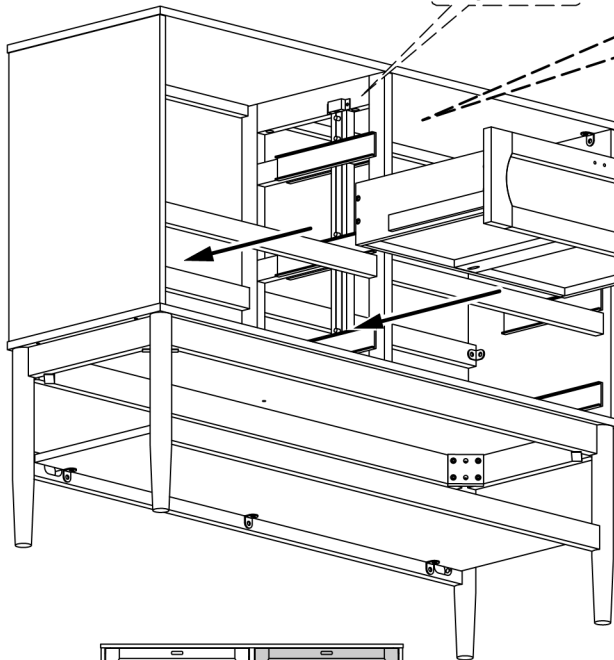
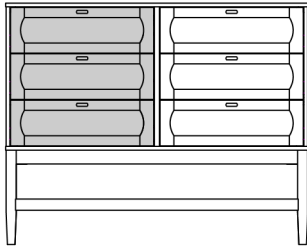
9013 6 Drawer Dresser

Assembly Instructions

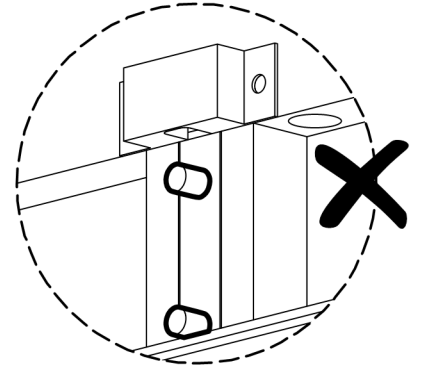
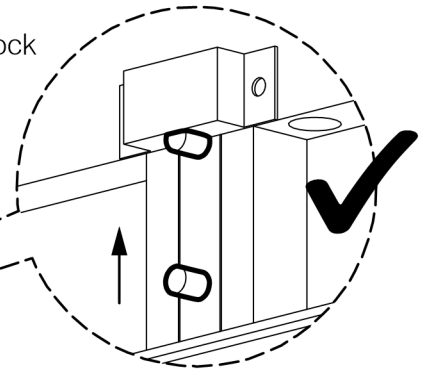
WI-0724

17 Install the Drawers.

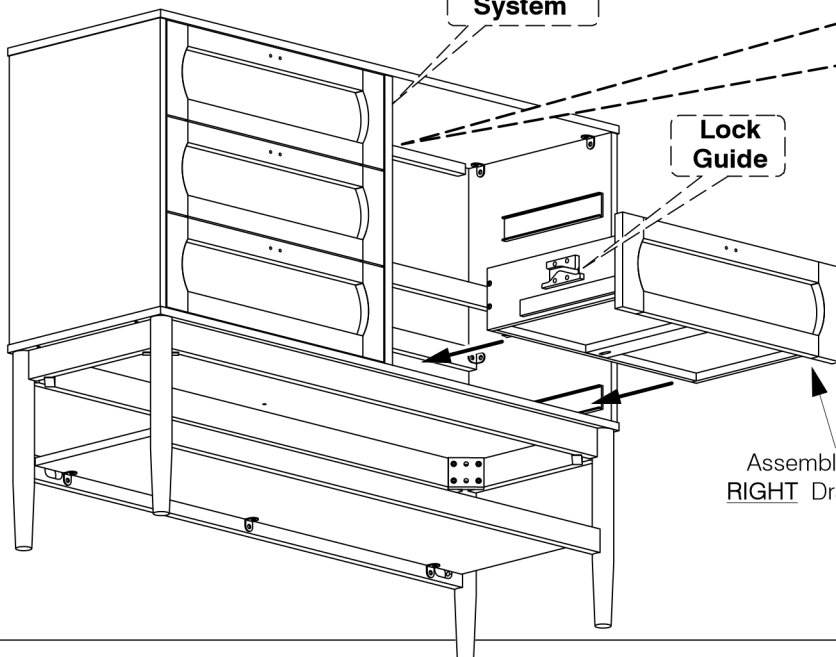
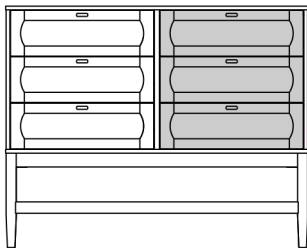
LEFT



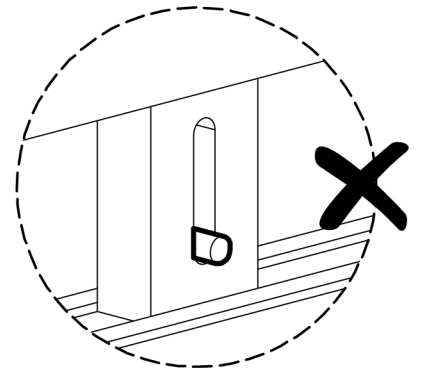
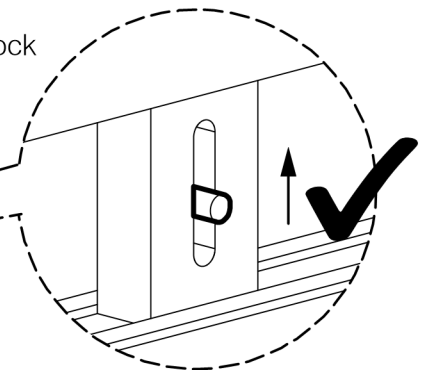
- Push the interlock bar **upwards** before inserting the drawers.



RIGHT



- Push the interlock bar **upwards** before inserting the drawers.



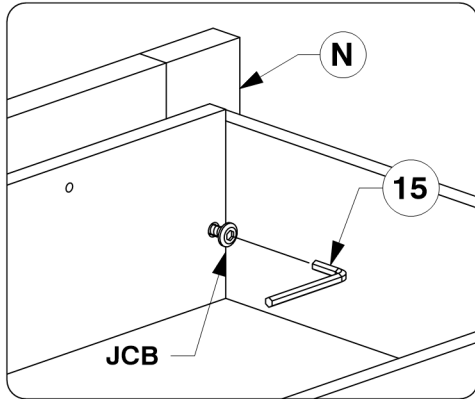
9013 6 Drawer Dresser

Assembly Instructions

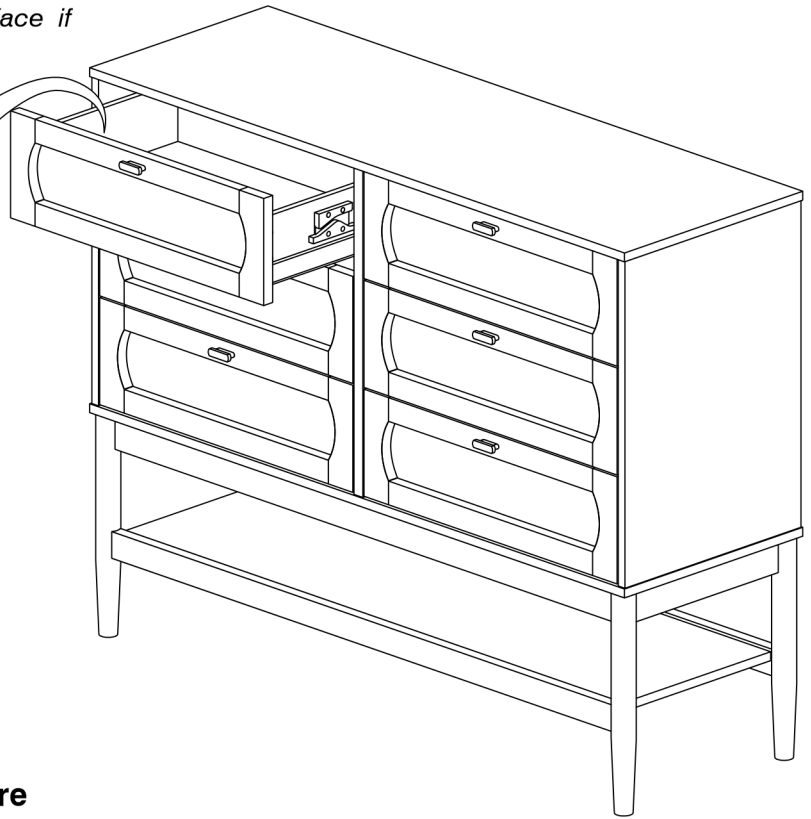
WI-0724

18 Adjust the Drawer Face (N).

* NOTE: Before fitting the Wood Screws.
Loosen the JCBs on the Drawer Face if
the face needs alignment.

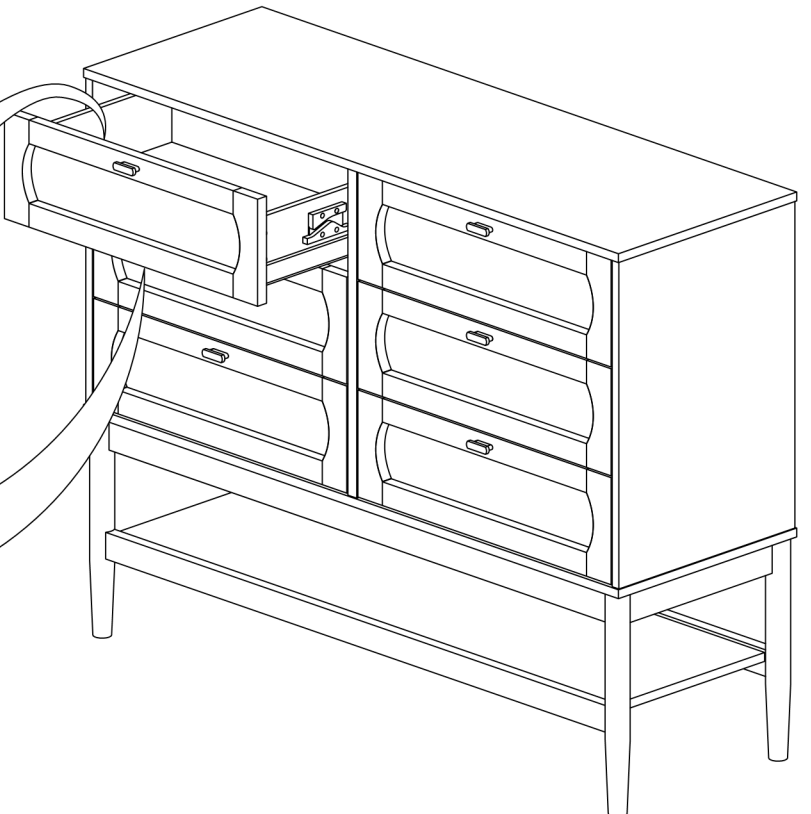
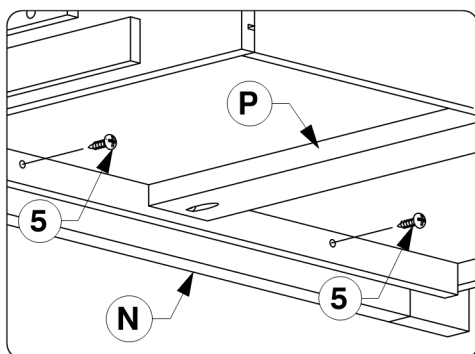
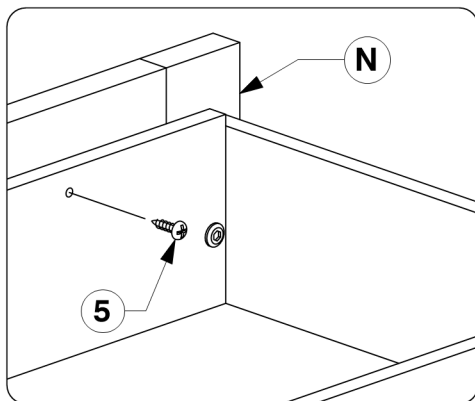


* NOTE: Only one drawer
can be open at a time.



19 After the Drawer Faces (N) are aligned, secure with wood screws.

* NOTE: Only one drawer
can be open at a time.



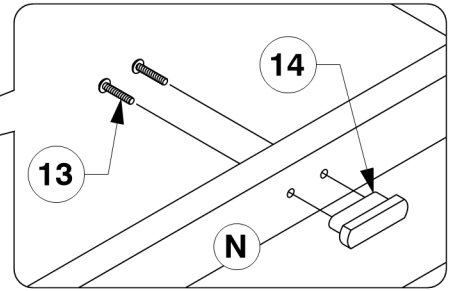
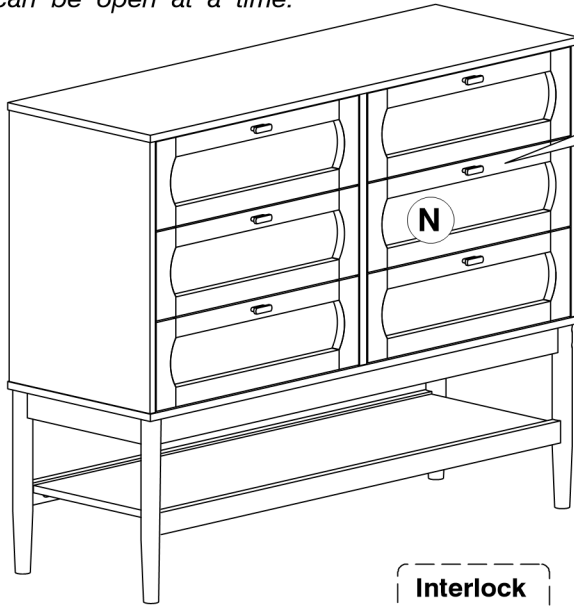
9013 6 Drawer Dresser

Assembly Instructions

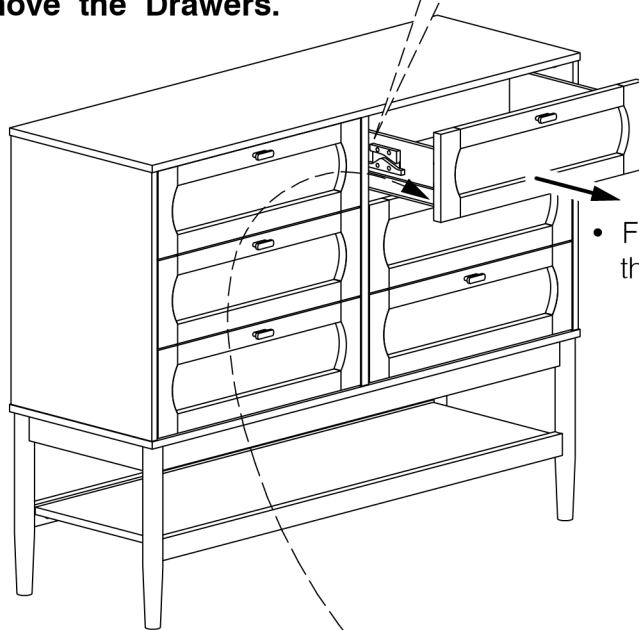
WI-0724

20 Finally, fit the Handle to the Drawer Face (N).

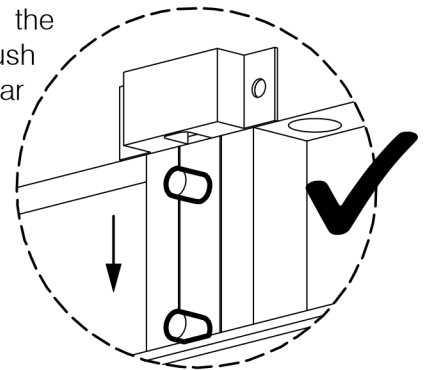
* NOTE: Only one drawer can be open at a time.



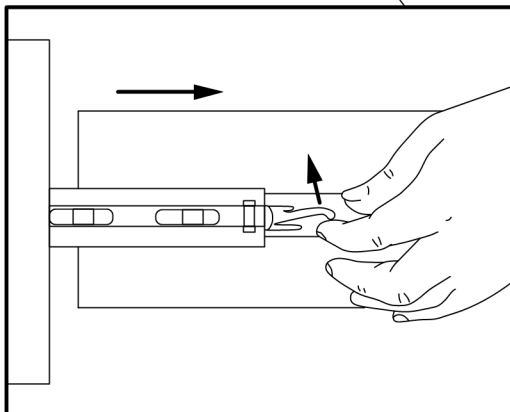
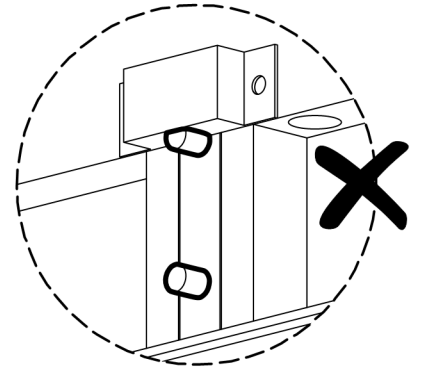
21 Remove the Drawers.



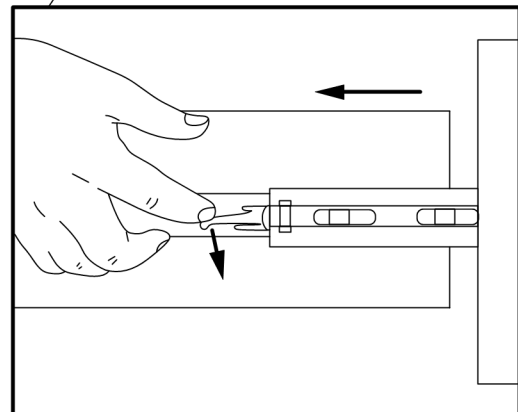
• After removing the top drawer, push the interlock bar **down**. Then remove the lower drawers.



• Fully open the Drawer.



• Lift the **LEFT** side clip up.



• Push **RIGHT** side clip down.