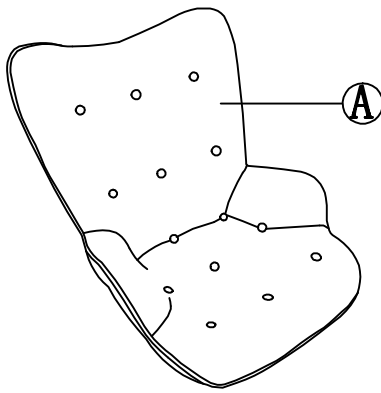


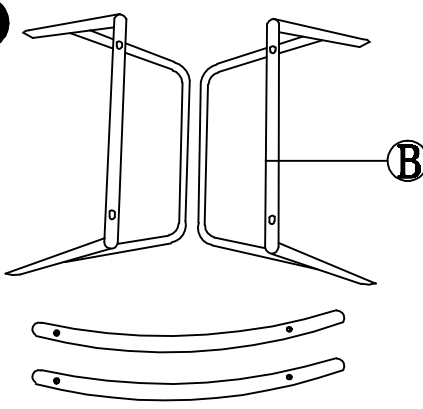
ASSEMBLY INSTRUCTION

HARDWARE LIST	CODE	PART	QTY
	A	CHAIR BODY	1PC
	B	LEGS	2PCS
	C	M6x20 MM	4PCS
	D	M6x35 MM	2PCS
	E	M6x30MM	4PCS
	F	ALLEN KEY	1PC
	G	ALLEN KEY	1PC

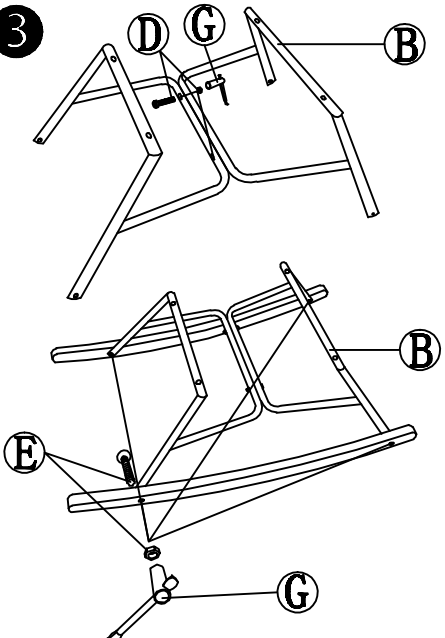
1



2



3



4

