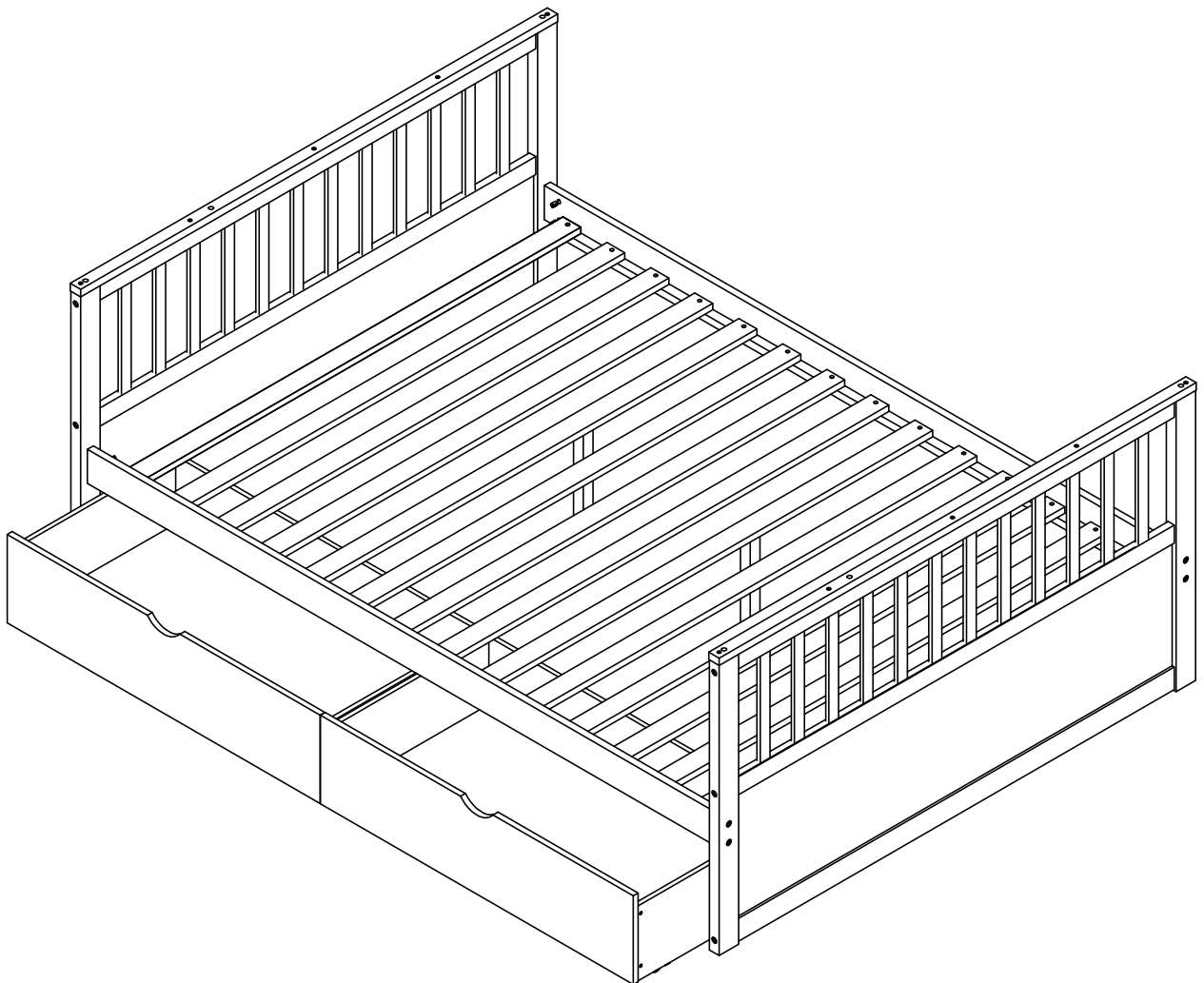


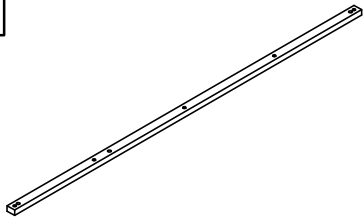
Bottom Full Bed and 2 Drawers

This set is included 3 boxes if don't receive full 3 boxes please contact our customer service team



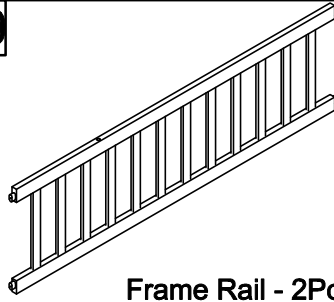
PART LIST

19



Top rail - 2Pcs

20



Frame Rail - 2Pcs

21



Legs headboard (L) - 1pc

22



Legs headboard (R) - 1pc

23



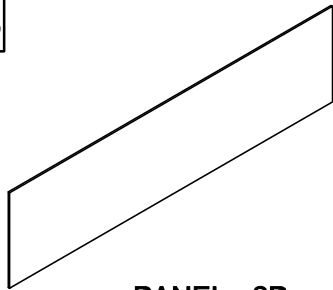
Legs footboard (L) - 1pc

24



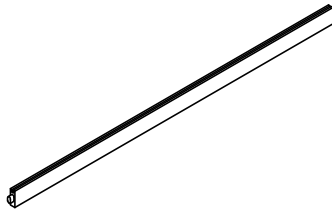
Legs footboard (R) - 1pc

25



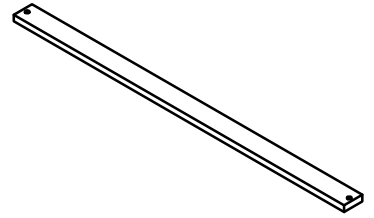
PANEL - 2Pcs

26



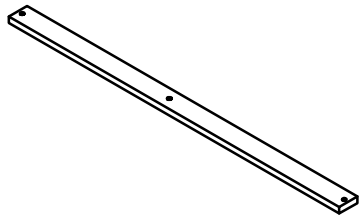
Support Bottom - 2Pcs

28



Long Slats - 12Pcs

29



Long Slats with mid hole - 2Pcs

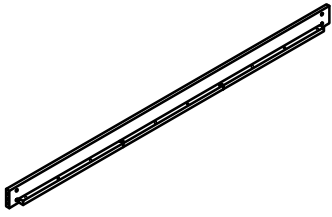
35



Center legs-2Pcs

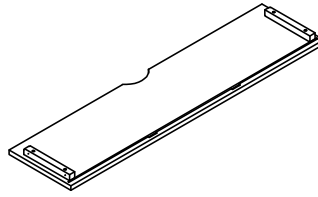
PART LIST

27



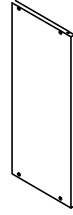
Side rails - 2Pcs

30



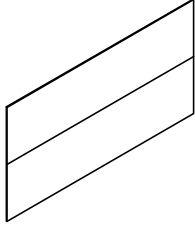
Front Drawers-2Pcs

31



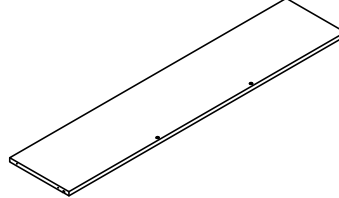
Side Drawers-4Pcs

32



Bottom Drawers-2Pcs

33



Back Drawers-2Pcs

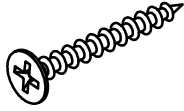
34



Support Bottom Drawer-4Pcs

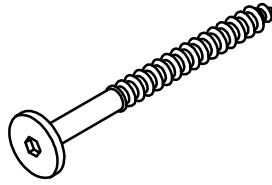
HARDWARE LIST

A



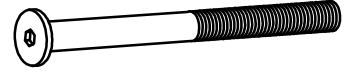
M4 x 30mm
Wood Screws - 58Pcs

B



Ø1/4 x 70 mm
Hexagonal bolts catch Wood -12Pcs

C



Ø1/4 x 80 mm
Hex-Head bolts - 8Pcs

D



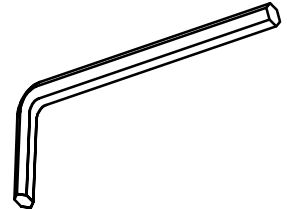
Ø10 x 40mm
Dowles - 4Pcs

E



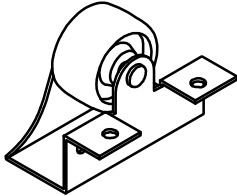
Ø1/4 x 13mm
Cross nuts - 8Pcs

F



Allen Key - 1Pc

G



Wheels 8Pcs

H



M3 x 12mm
Wood Screws 24Pcs

I

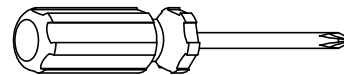


Ø1/4" x 35 mm
Hex-Head bolts-2pcs

J

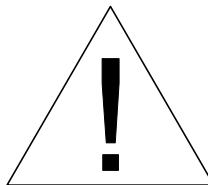


Plastic Washer
Ø8x5mm (1pc)

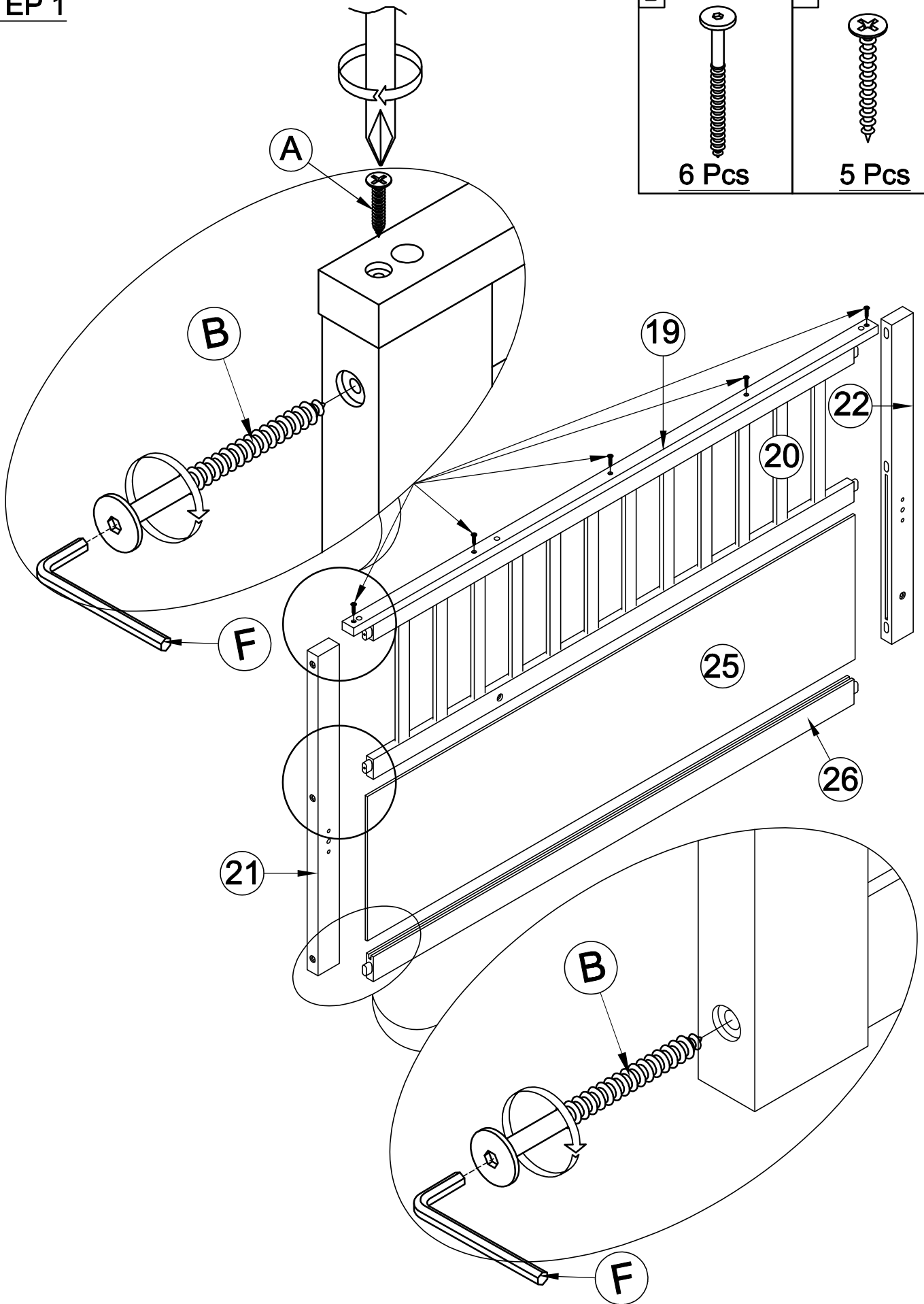
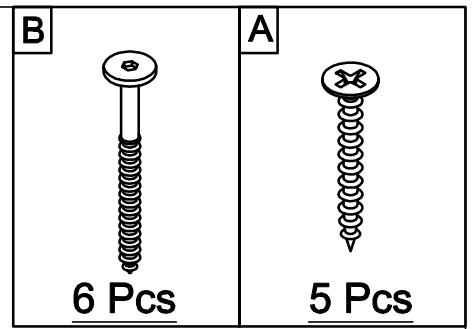


Assembly Tools Required (Not Included)

**PLEASE BE CAREFUL DO NOT DAMAGE THE HOLE
POSITION WHEN YOU USE POWER TOOLS!**

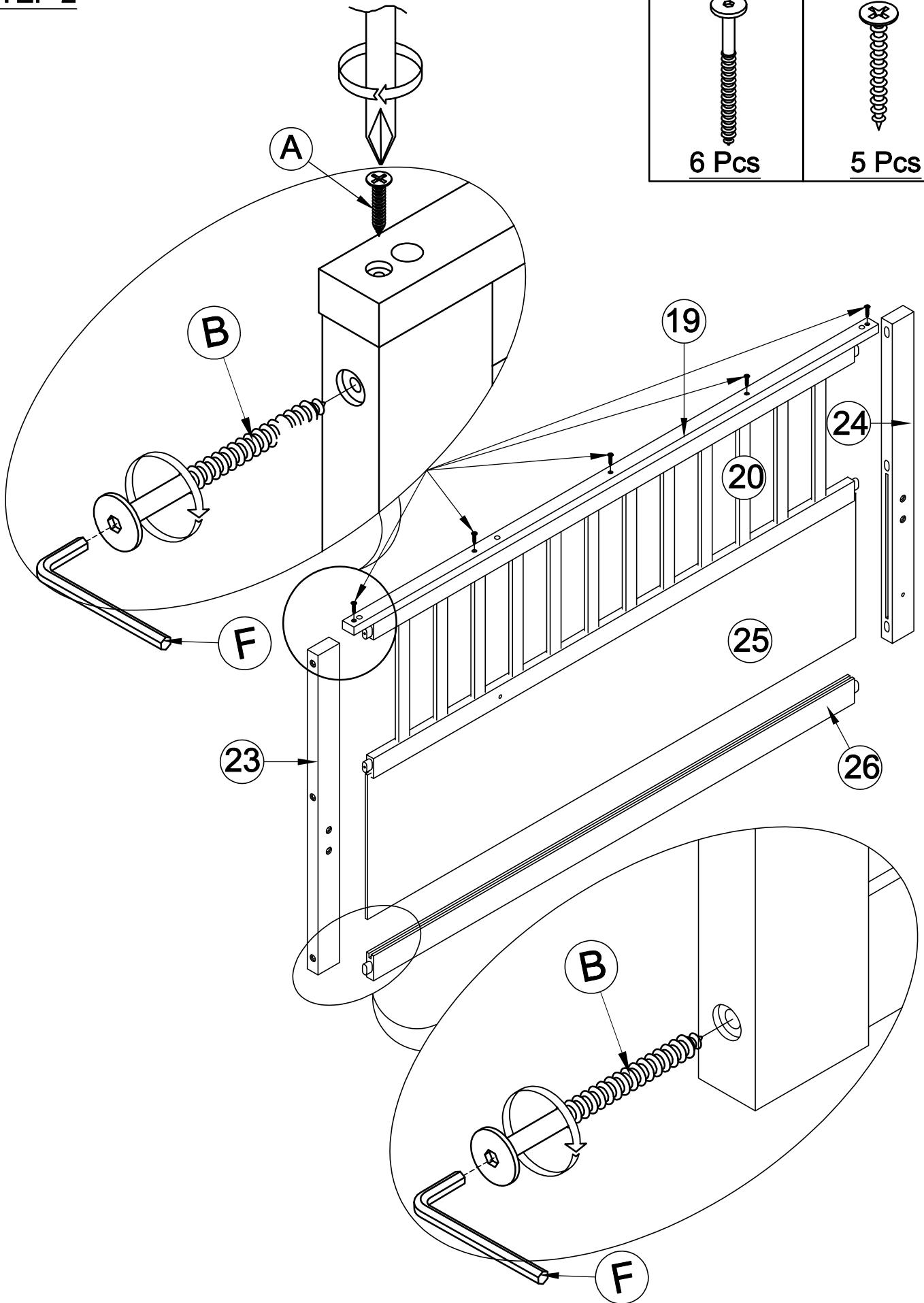
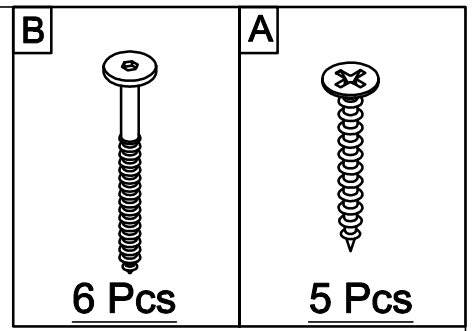


STEP 1






HEADBOARD

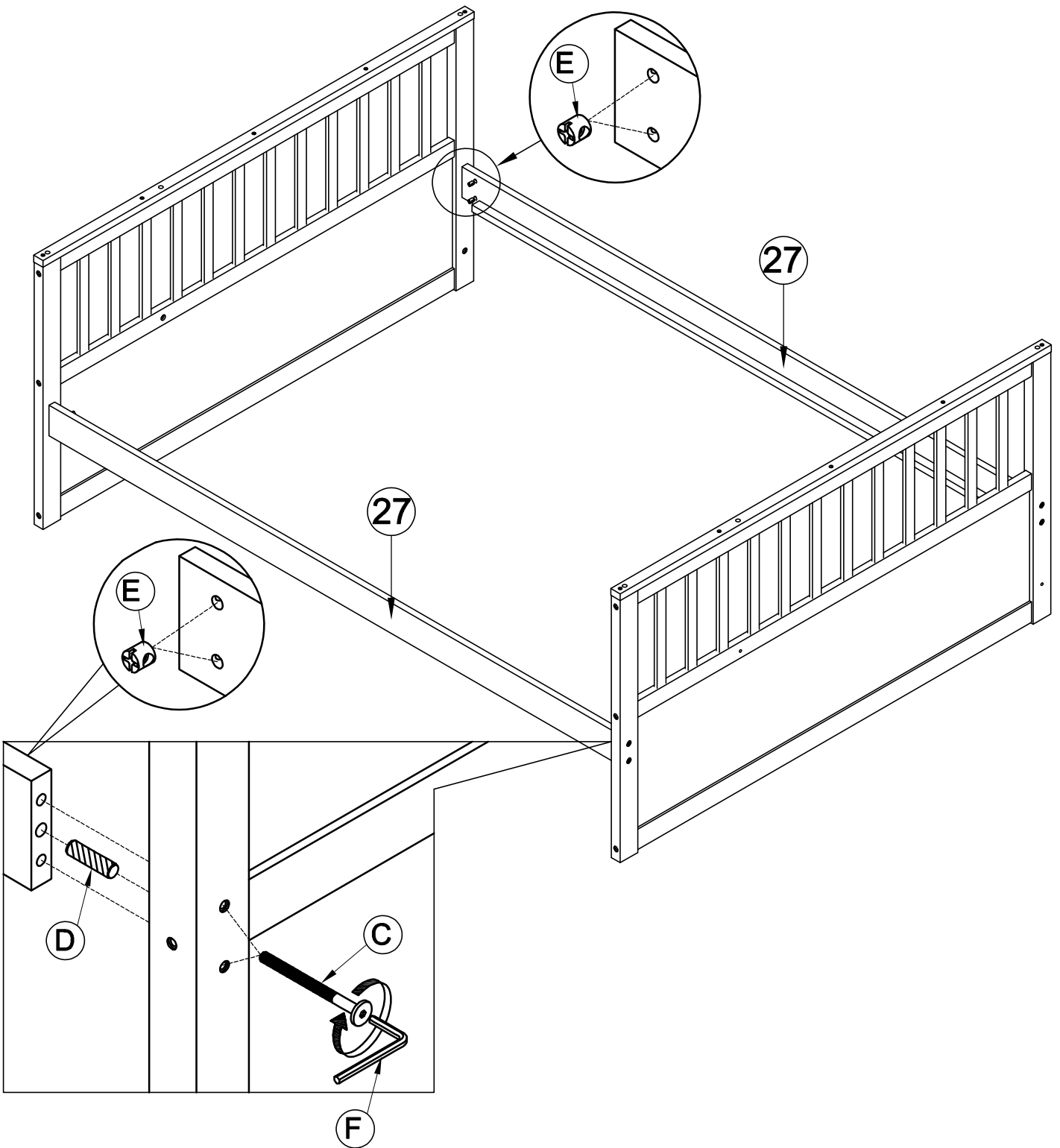
STEP 2



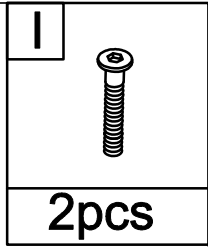
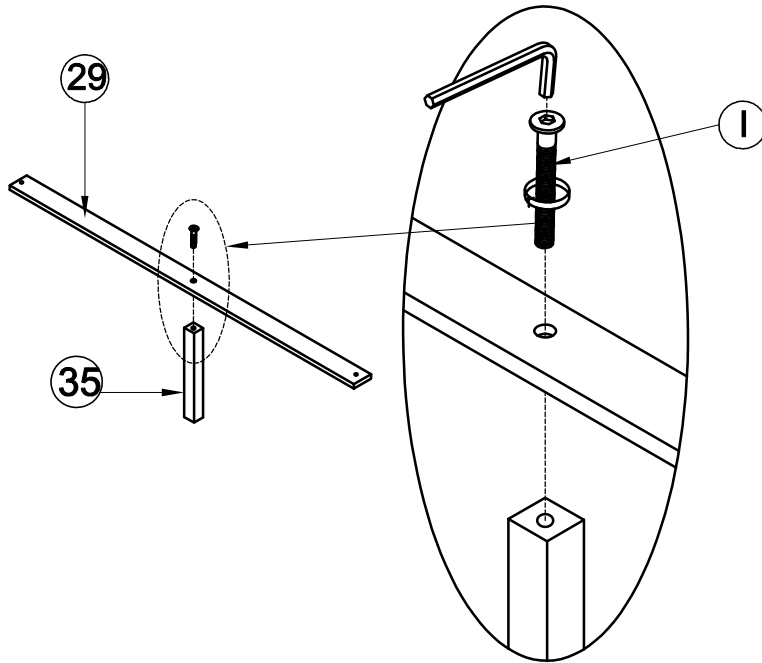
FOOTBOARD

STEP 3

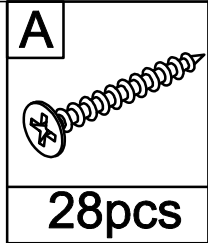
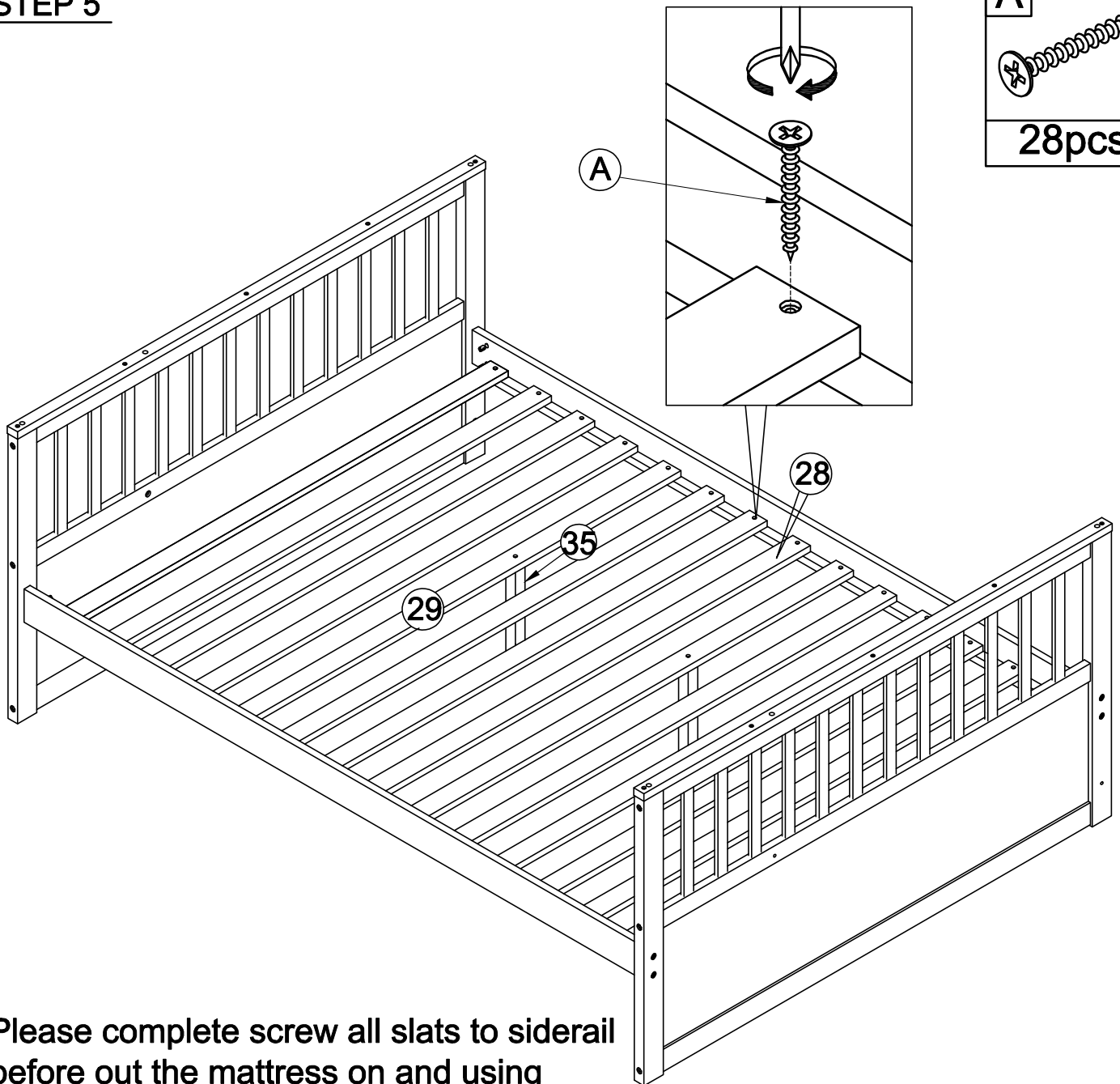
C		E		D	
8pcs		8pcs		4pcs	



STEP 4

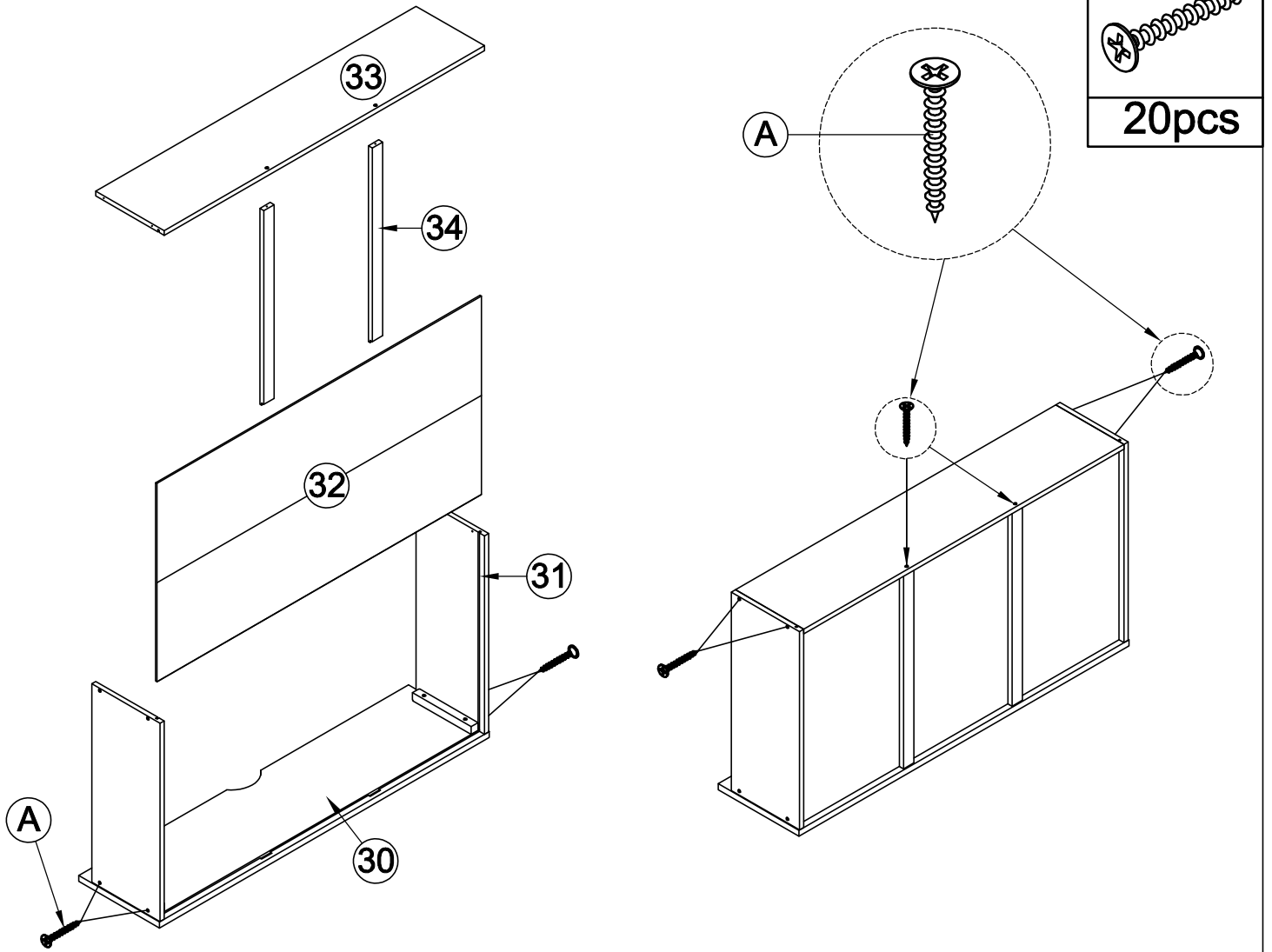


STEP 5



Please complete screw all slats to siderail before out the mattress on and using

STEP 6



STEP 7

