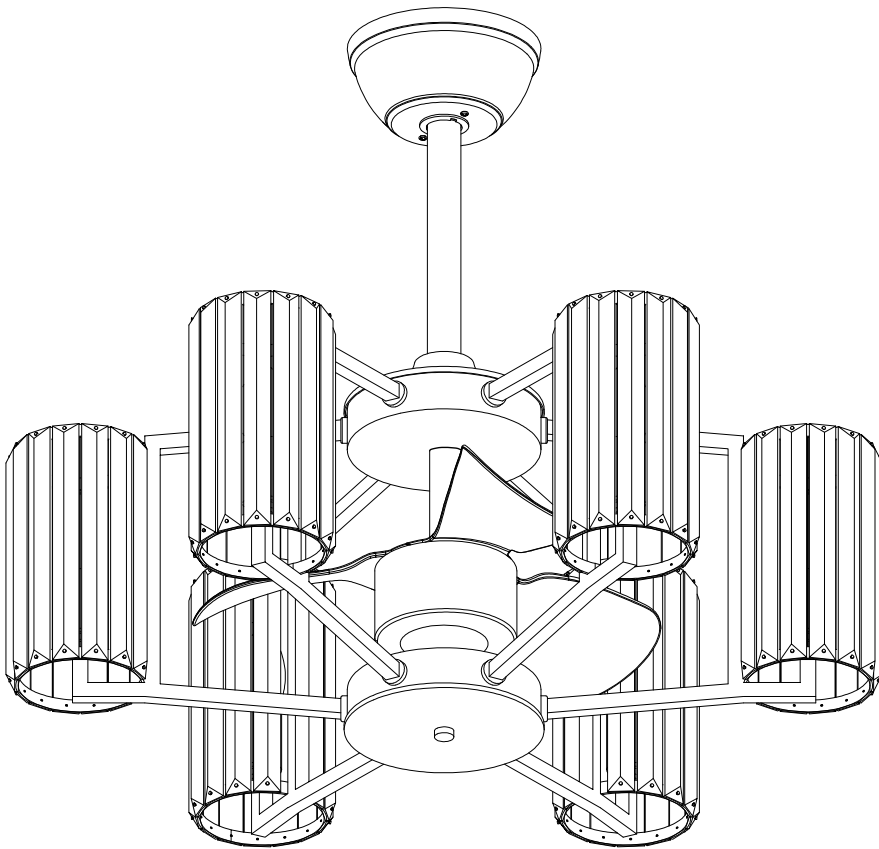


# INSTALLATION MANUAL

## CEILING FAN WITH LIGHT

Model No.: CFL-1208-01/CFL-1208-02



Scan for Installation Video



APP Control Applicable

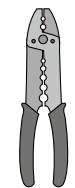
### TOOLS REQUIRED



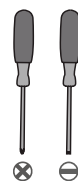
Ladder



Pliers



Wire  
Strippers


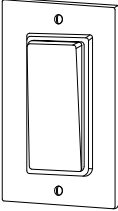

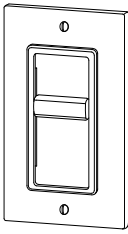
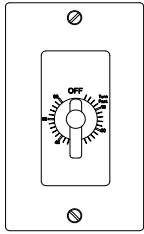
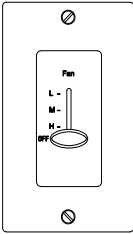
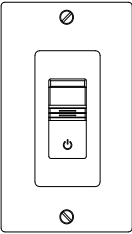


Screwdrivers

# Switch Selection

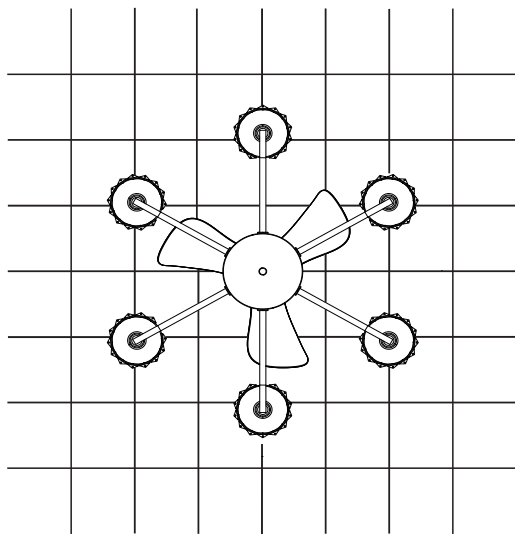
Note: Using a dimmer switch to control the fan may damage the fan. To reduce the risk of fire or electrical shock, do not use a dimmer switch to control the fan.

The recommended switches are as follows:

 Recommended:	 Single Pole Switch (Not Included)
 Not Recommended:	    Dimmer Switch      Timer Switch      Fan Speed Control Switch      Motion Sensor Switch

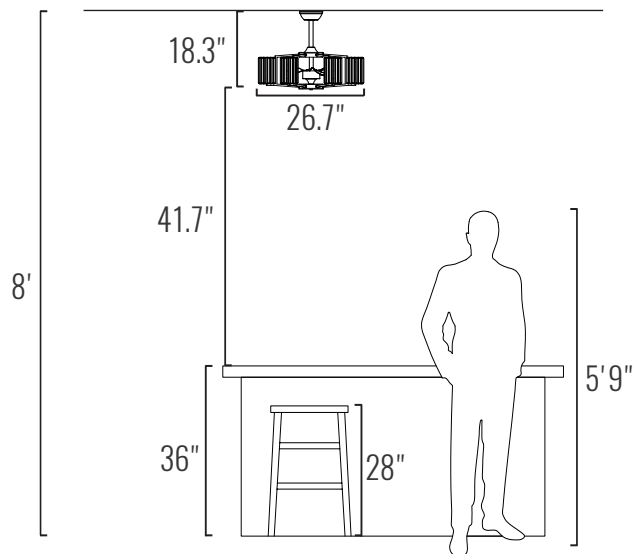
# Installation Recommended

Room Size:



UP TO 8 ft × 10 ft

Room Height:



Recommended ceiling height: 7 to 10 ft.

# Safety Rules

1. Be sure the power to the wires you are working on is disconnected, either the fuse is removed or the circuit breaker is turned off. Turning the power off using the light switch is not sufficient to prevent electrical shock.
2. A qualified licensed electrician is required for the installation.
3. The outlet box and support structure must be securely mounted and capable of reliably /supporting a minimum of 70 pounds. Use only UL (cUL for Canadian Installation) listed mounting boxes marked "FOR FAN SUPPORT".
4. The fan must be mounted with a minimum of 7 feet clearance from the trailing edge of the blades to the floor.
5. Do not operate reversing switch while fan blades are in motion (if applicable). Fan must be turned off and blades stopped before reversing blade direction.
6. Do not place any objects in the path of the blades.
7. To avoid personal injury or damage to the fan and other items, be cautious when working around or cleaning the fan.
8. Do not use water or detergents when cleaning the fan or fan blades. A dry dust cloth or lightly dampened soft cloth will be suitable for the cleaning.
9. After marking electrical connections, spliced conductors should be turned upward and pushed carefully up into outlet box. The wires should be spread apart with the grounded conductor on one side of the outlet box.
10. Electrical diagrams are reference only, different fan light may have different light shade and bulbs.
11. Use only our replacement parts. This equipment has been tested and found to comply with the limits for a class B digital device, pursuant to part 15 of the FCC Rules. These limits are to provide reasonable protection against harmful interference in a residential installation. This equipment generates, uses and can radiate radio frequency energy and if not installed and used in accordance with the instructions may cause harmful interference to radio communications.

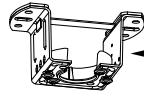
## Warning:

To reduce the risk of personal injury, use only the two steel screws and washers provided with the outlet box for mounting to the outlet box. Most outlet boxes commonly used for the support of lighting fixtures are not acceptable for fan support and need to be replaced, consult a qualified electrician if in doubt.

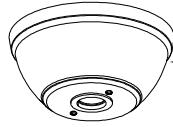
To reduce the risk of fire, electric shock or person injury, mount fan to outlet box marked "acceptable for fan support".

To reduce the risk of personal injury, do not bend the blade brackets (also referred to as flanges) during assembly or after installation. Do not insert objects in the path of the blades.

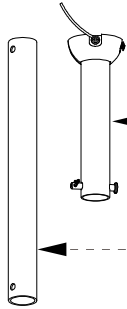
# PACKING LIST



**A** Mounting Bracket ×1



**B** Canopy ×1

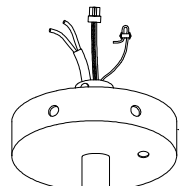


**C** 5-inch Downrod ×1

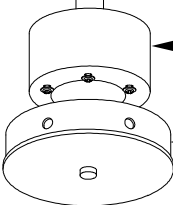
**D** 10-inch Downrod ×1



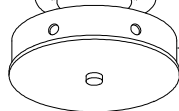
**E** Coupling Cover ×1



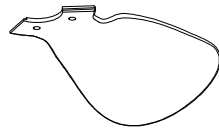
**F** Top Light Housing ×1



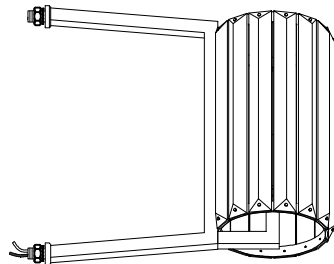
**G** Fan Motor Assembly ×1



**H** Bottom Light Housing ×1

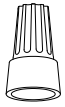

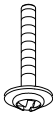
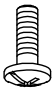


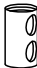





**I** Blade ×3



**J** Lamp Arm ×6

# INSTALLATION KIT

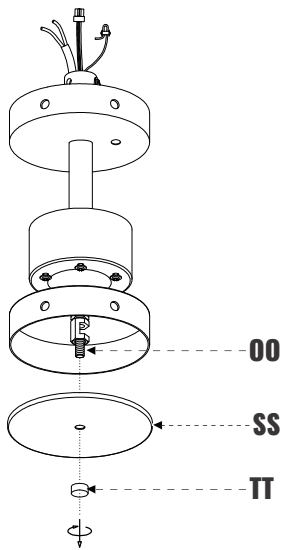
<b>AA</b>  Large Wire Nut 2×	<b>BB</b>  Small Wire Nut 5×	<b>CC</b>  Outlet Box Screw 2×	<b>DD</b>  Flat Washer 2×	<b>EE</b>  Clevis Pin 1×
<b>FF</b>  "R" Pin 1×	<b>GG</b>  Set Screw 2×	<b>HH</b>  Top Cover Screw 6×	<b>II</b>  Blade Screw 6×	<b>JJ</b>  Canopy Screw 2×
<b>KK</b>  Wire Locking Screw 2×	<b>LL</b>  Receiver 1×	<b>MM</b>  Wire Locker 1×	<b>NN</b>  Steel Wire 1×	<b>OO</b>  Threaded Rod 1×
<b>PP</b>  Hex Nut 12×	<b>QQ</b>  Star Washer 12×	<b>RR</b>  Top Cover 1×	<b>SS</b>  Bottom Cover 1×	<b>TT</b>  Knurled Nut 1×
<b>UU</b>  Remote Holder Anchor 2×	<b>VV</b>  Remote Holder Screw 2×	<b>WW</b>  Remote Control 1×	<b>XX</b>  Remote Holder 1×	<b>YY</b>  Gloves 1×

## NOTE:

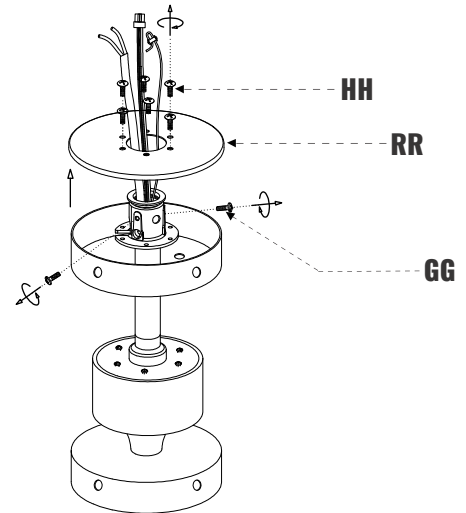
1. The listed quantity is for installation, extra hardware may be included.
2. Parts "A/JJ" have been installed together with the canopy (B).
3. Parts "EE/FF" have been installed together with the 5-inch downrod (C).
4. Parts "GG/HH/KK/MM/NN/RR" have been installed together with the top light housing (F).
5. Parts "OO/SS/TT" have been installed together with the bottom light housing (H).
6. Parts "PP/QQ" have been installed together with the lamp arms (J).

# INSTALLATION

## 1. Assemble the Fan

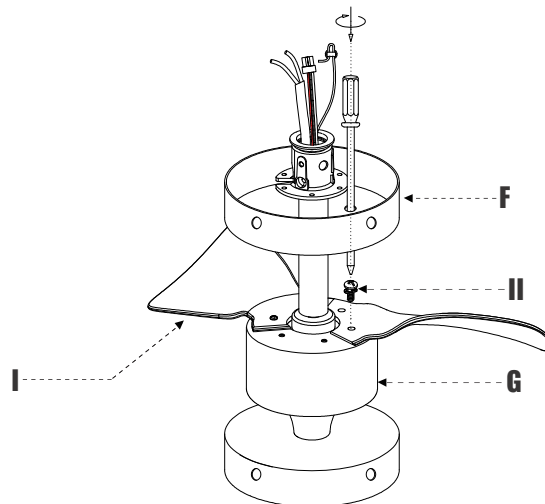


**Step 1.** Loosen the knurled nut (TT), and take off the bottom cover (SS).



**Step 2.** Loosen the set screws (GG).

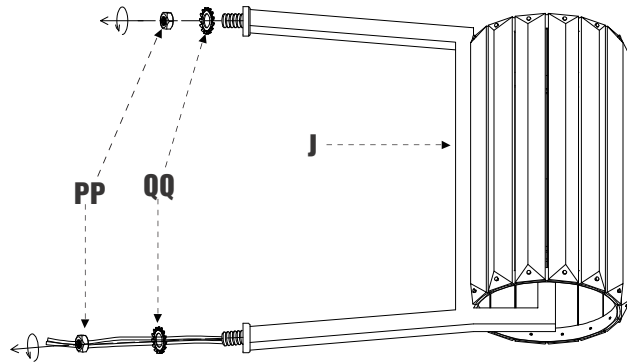
**Step 3.** Loosen the top cover screws (HH), and take off the top cover (RR).



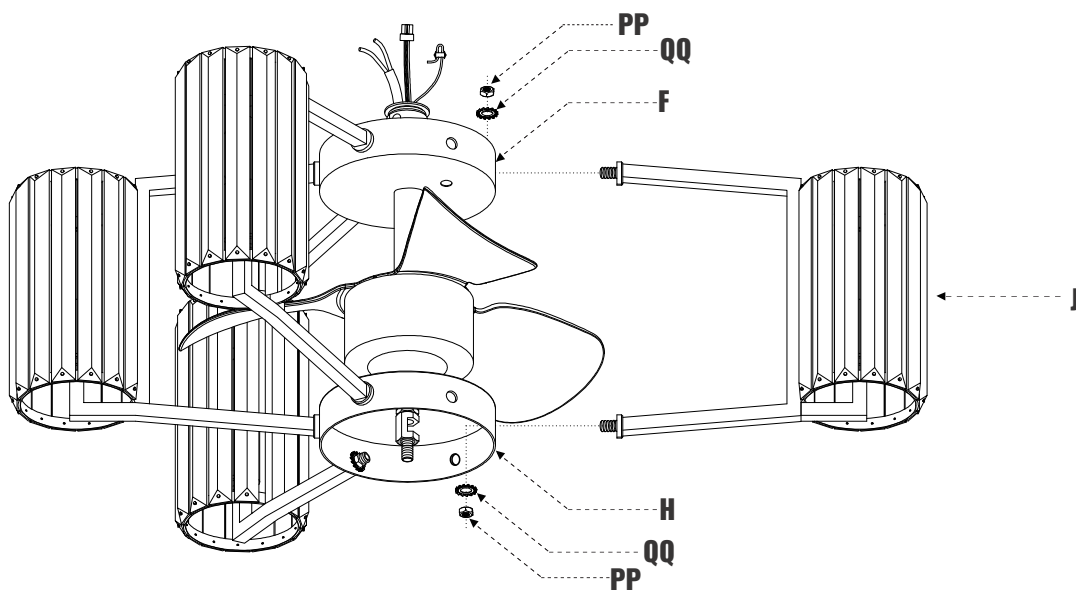
**Step 4.** Assemble the blades (I) using the blade screws (II) taken off.

NOTE:

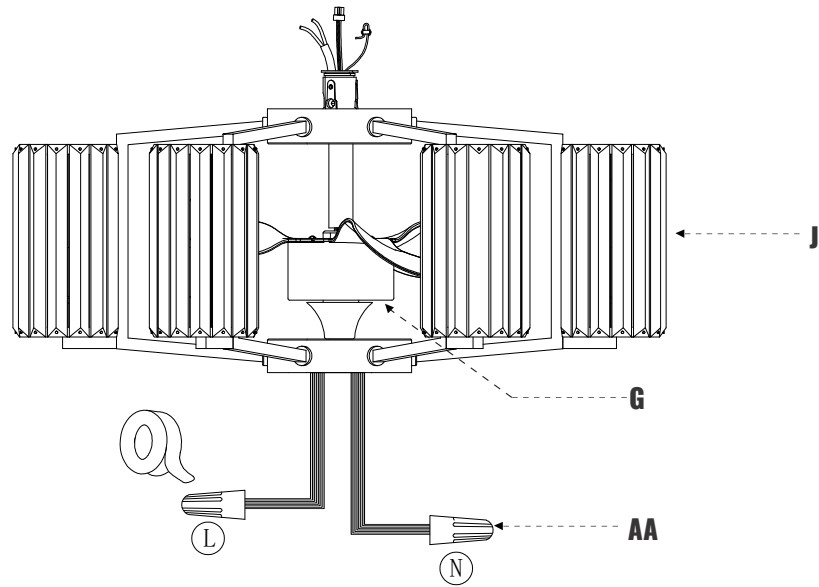
1. By rotating the fan motor assembly (G), align the holes on the top light housing (F) with the screw holes on the fan motor assembly (G).
2. For each blade (I), do not fully tighten the first screw (II) when installing. Wait until the second screw (II) is in place, then tighten both screws (II) completely.



**Step 6.** Loosen the hex nuts (PP) and star washers (QQ) on the lamp arms (J).

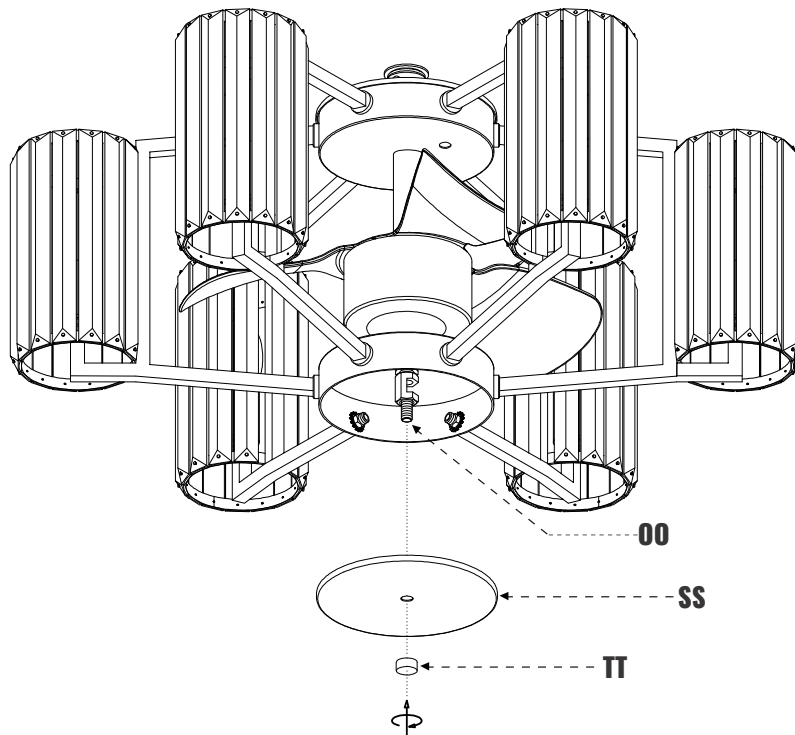


**Step 7.** Secure the lamp arms (J) to the top light housing (F) and bottom light housing (H) using hex nuts (PP) and star washers (QQ).

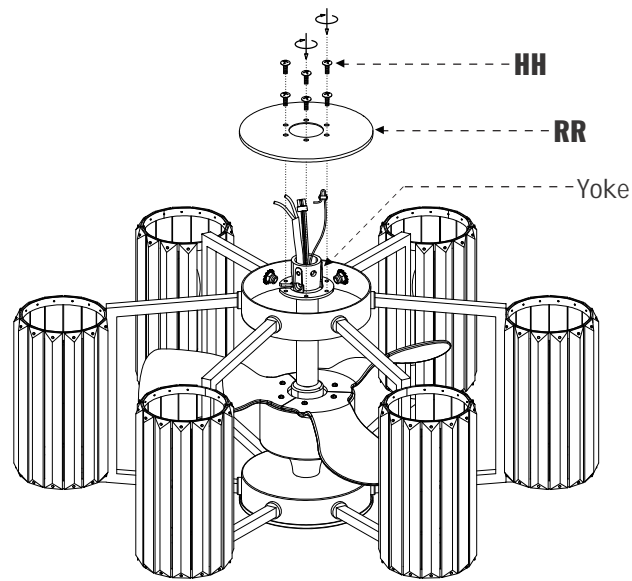


**Step 8.** Connect the wires from the lamp arms (J) to the main wires from the fan motor assembly (G) by using large wire nuts (AA) : white to white and black to black/blue.

**Step 9.** Wrap the connections with electrical tape.

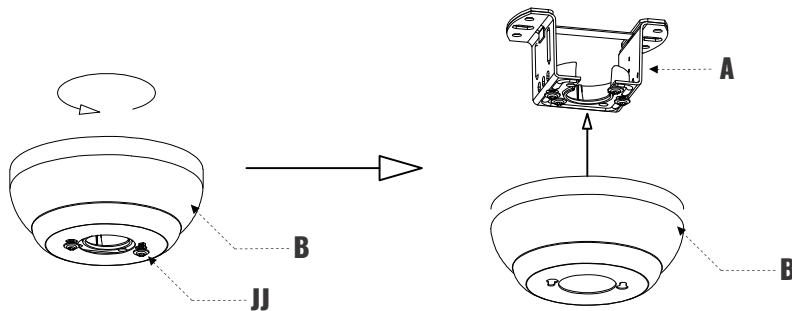


**Step 10.** Attach the bottom cover (SS) to the threaded rod (OO) and secure it with knurled nut (TT).



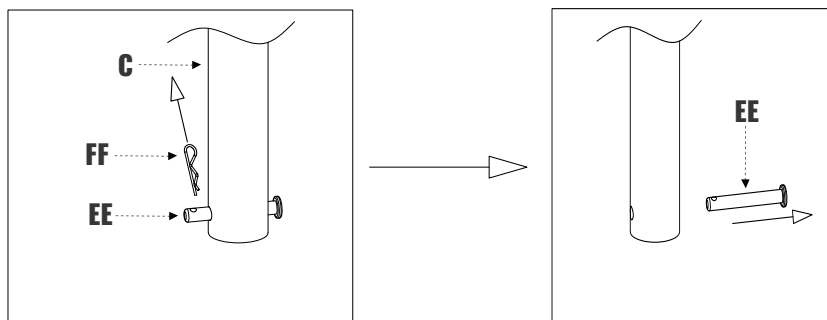
**Step 11.** Attach the top cover (RR) to the yoke and secure it with top cover screws (HH).

## 2. Install the Downrod

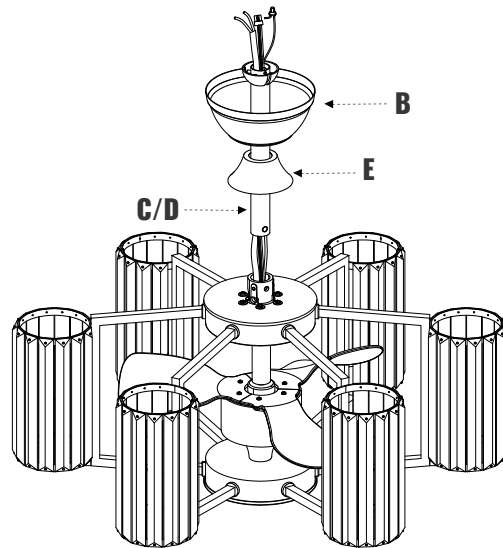


**Step 1.** Loosen the canopy screws (JJ) on the mounting bracket (A), but do not remove them.

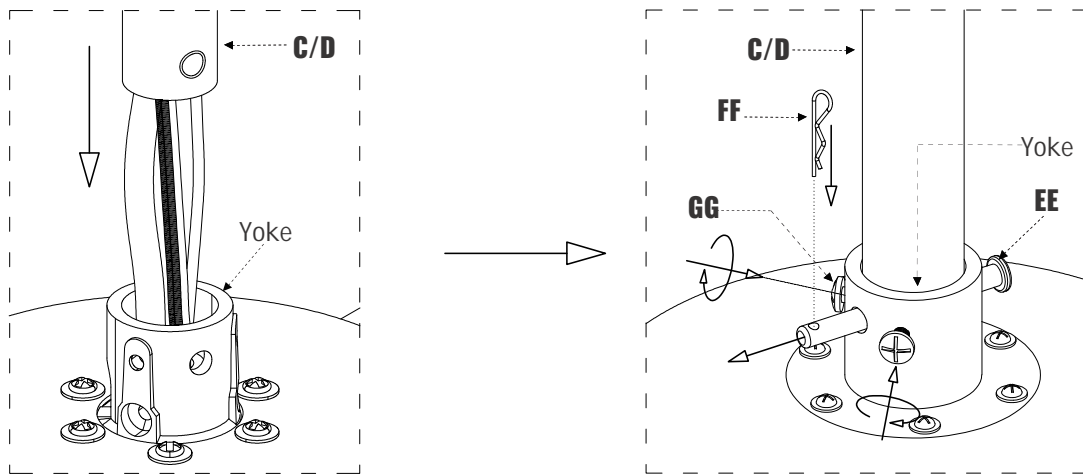
**Step 2.** Rotate the canopy (B) to remove the mounting bracket (A).



**Step 3.** Remove the "R" pin (FF) and clevis pin (EE) from the downrod (C).



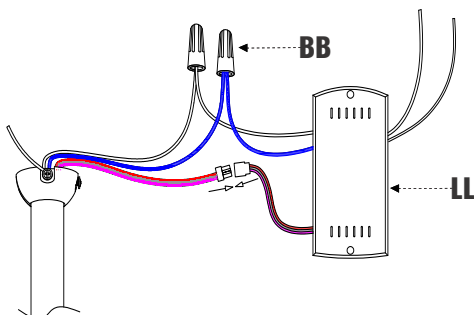
**Step 4.** Assemble the canopy (B) and coupling cover (E). Route wires from the fan through the downrod (C/D).



**Step 5.** Align the holes at the bottom of the downrod (C/D) with those in the yoke. Carefully insert the clevis pin (EE) through the holes in the yoke and downrod (C/D) (Be careful not to jam the clevis pin against the wires inside the downrod). Insert the "R" pin (FF) into the end of the clevis pin (EE). Tighten the set screws (GG) to secure the downrod (C/D).

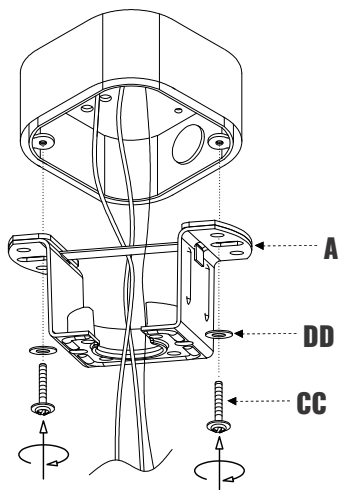
**Step 6.** Fit the coupling cover (E) onto the top light housing (F).

### 3. Install the Receiver

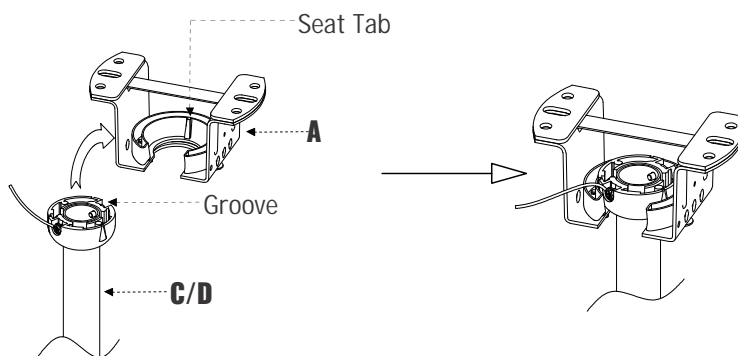


Connect the wires on the fan and the receiver (LL).

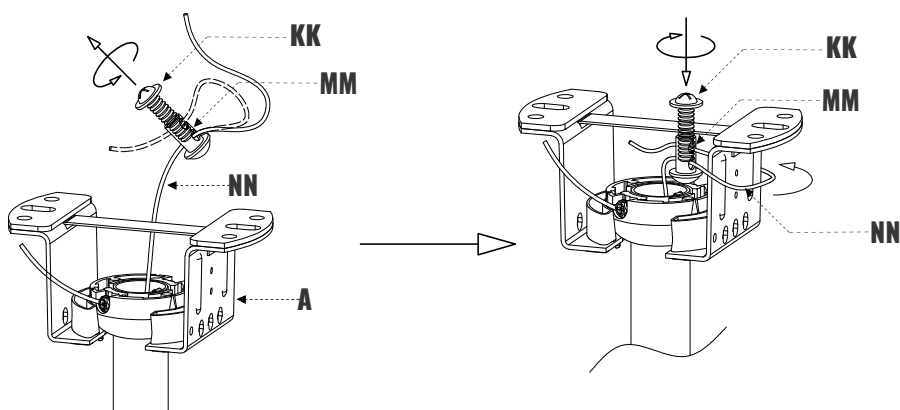
## 4. Mount the Bracket And Hang the Fan



**Step 1.** Take off the screws and washers from outlet box, attach the mounting bracket (A) to the box with screws and washers taken off or provided in package (CC and DD).

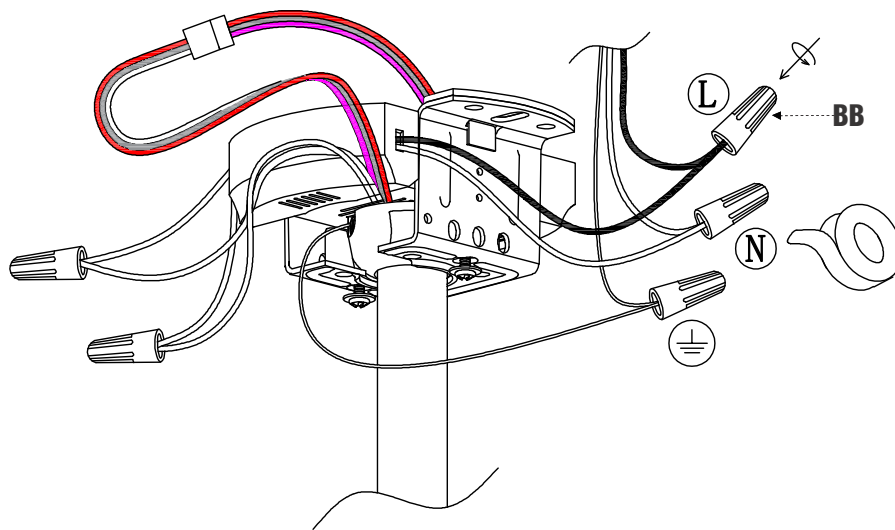


**Step 2.** Lift the downrod (C/D) into the mounting bracket (A). Rotate the downrod until the tab in the mounting bracket (A) is seated in the groove in the downrod ball.



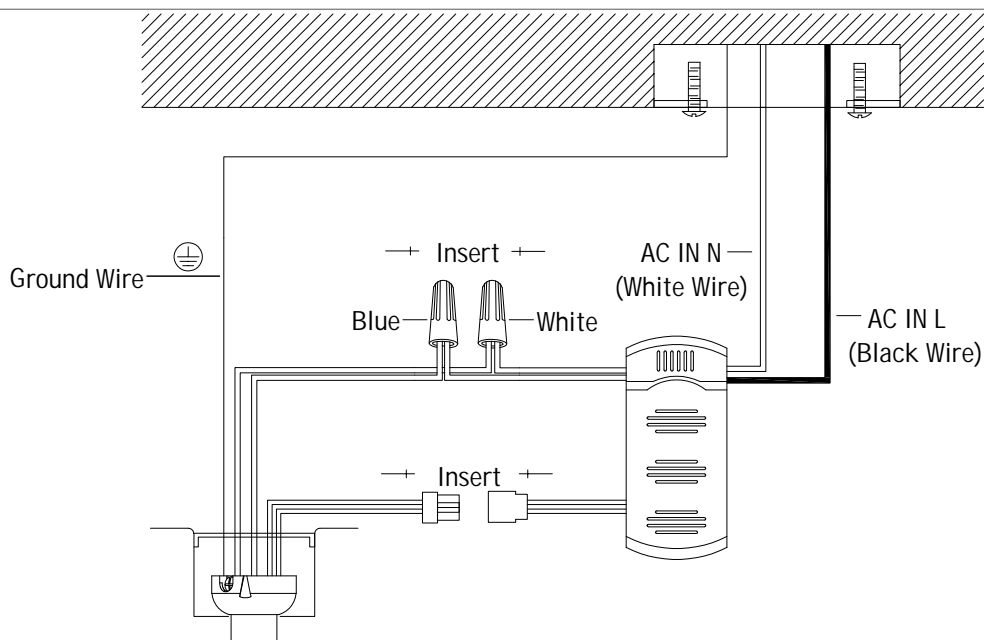
**Step 3.** Loosen the wire locking screw (KK), pull one end of the steel wire (NN) out of the wire locker (MM), wrap it around the bracket (A), then reinsert it into the wire locker (MM). Finally, tighten the wire locking screw (KK).

## 5. Connect the Wires



Step 1. Insert the receiver (LL) into the gap of bracket (A).

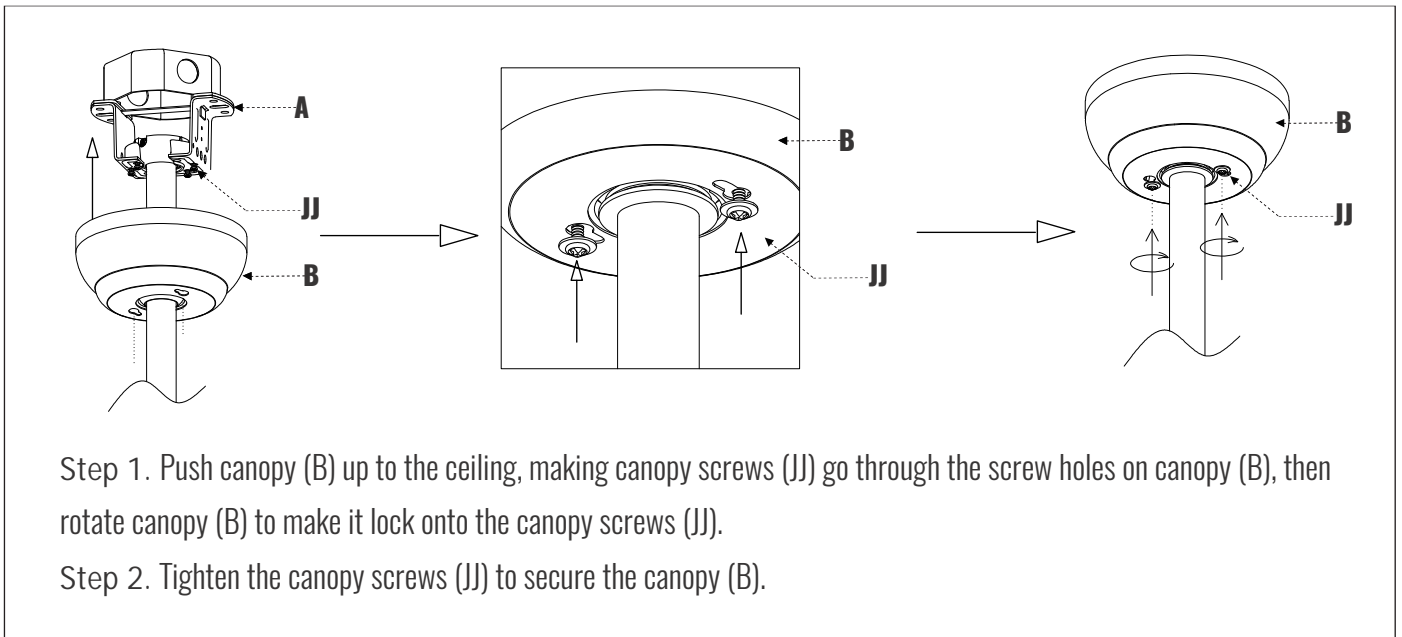
**Step 2.** Connect the wires from the receiver to the house supply wires with small wire nuts (BB), ground wire (green, green/yellow, or bare copper) to ground wire, neutral wire (white) to neutral wire, and hot wire (black) to hot wire. Wrap the connection with electrical tape.



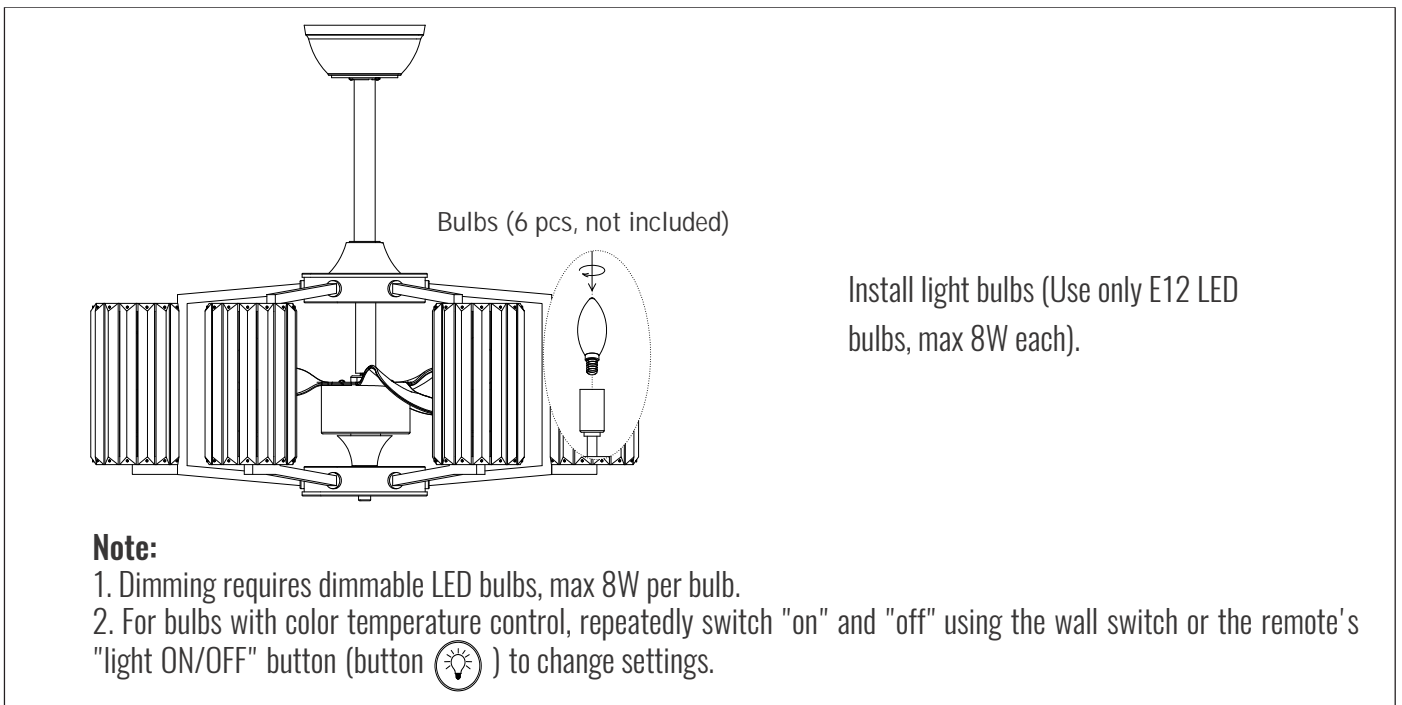
### NOTE:

1. This fan only needs one set of input wires (black, white, and ground wire). Both of the fan and lights will be controlled by the remote controller.
2. This fan can only be connected to an on/off switch if you have one, not a dimmer switch.

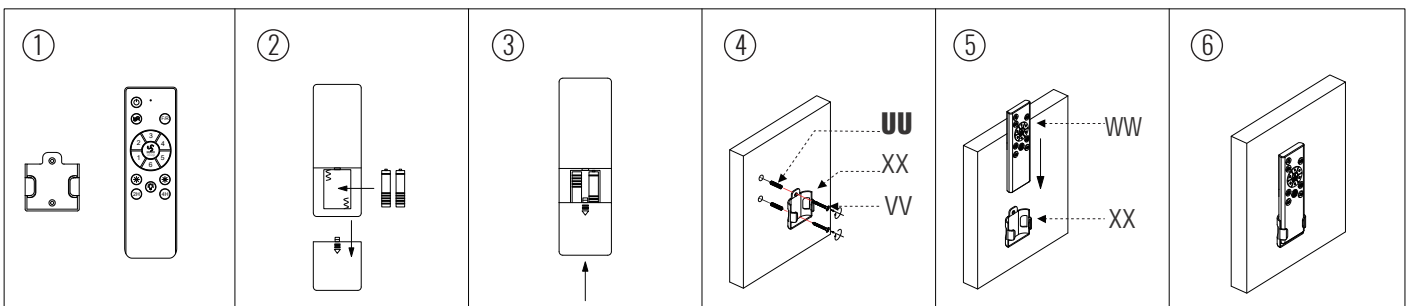
## 6. Attach the Canopy



## 7. Install the Lights



## 8. Remote Control Instructions



Insert 2 batteries before using: AAA 1.5V battery x 2pcs (not included).

Step 1. Mark and drill screw holes in the wall, then insert the remote holder anchors (UU).

Step 2. Use remote holder screws (VV) to fix the remote holder (XX) onto the wall.

# REMOTE CONTROL INSTRUCTIONS

		Turn off fan and light.
		Turn on/off the light.
		Adjust the brightness of the light.
		Fan speeds 1 through 6.
		Fan moves forwards or reversely.
		Natural Wind Mode: Fan speed automatically adjusts.
		Turn off the fan.
		2H/4H for timing the fan.

**NOTE:**

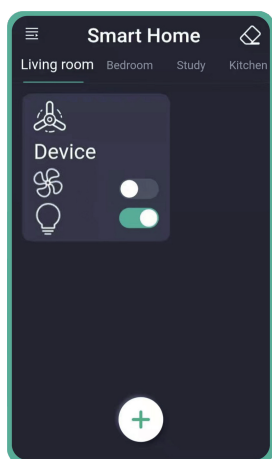
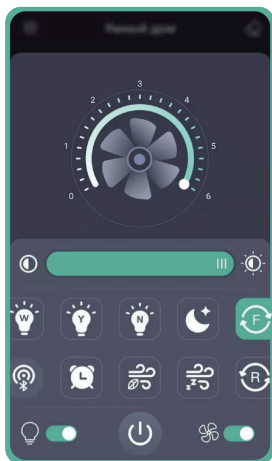
**Please insert 2 batteries before using. AAA 1.5V battery x 2pcs (not included).**

Remote Signal Pairing:

If the remote control loses the signal from the fan, press and hold the button right after the fan is powered on from the wall switch. After the fan flashes or beeps, it means it's done.

# APP CONTROL INSTRUCTIONS

Install the "FanLamp Pro" app from Google Play, Apple App Store, or other app stores by scanning the QR code or searching for the app name. Ensure that your phone is connected to the internet and Bluetooth enabled.



	Pairing: Click the Pair button within 5 seconds after turning on the fan from the wall switch. Once the fan flashes or beeps, it has been successfully paired with your phone and can now be controlled through the app.
	Turn on/off the light.
	Quick switch for "White" light color. (Not supported)
	Quick switch for "Yellow" light color. (Not supported)
	Quick switch for "Natural" light color. (Not supported)
	Night mode: Dim the lights. (Not supported)
	Slide the slider to change the brightness of the light.
	Slide the slider to change the fan speed.
	Fan moves forward.
	Fan moves reversely.
	Change the direction of the wind. (Not supported)
	Timing the fan.
	Natural wind: The fan speed will change automatically when you use this function
	Sleeping wind. (Not supported)
	Turn on/off the fan.
	Unpairing: Click the unpair button within 5 seconds after turning on the fan. Once the fan flashes or beeps, it has been successfully unpaired from your phone.

# Trouble Shooting

---

## 1. Fan doesn't work

- Make sure the fixture is connected to an ON/OFF wall switch, not a dimmer switch.
- Check the remote control battery (not included in this package).
- Check the circuit breaker to ensure the power is on.
- Turn off power from the circuit breaker, then loosen the canopy and check all the connections according to the wiring diagram.

## 2. Lights Do Not Light Up / Flicker / Noisy Operation

- Make sure the fixture is connected to an ON/OFF wall switch, not a dimmer switch.
- Check your power and switch to make sure it's powered on.

## 3. Noisy Operation

- Tighten the light fitting and blade bottom cover.
- Re-tighten all screws on the bracket, downrod, and fan blades (do not over tighten).
- Check to see if any of the blades are cracked. If so, replace all of the blades.

## 4. Remote does not work

- Make sure the battery is installed correctly.
- Pair the remote control again (See page 13).
- Install 2 new batteries.

# Clean And Care

---

To clean, wipe the fixture with a soft cloth. Spraying from chemical cleaners can discolor the finish of the fixture. Do not use scouring pads, powders, steel wool, or abrasive paper to clean this fixture.

# Ordering Parts

---

Keep this manual for future reference, and in case replacement parts are needed. Available parts can be ordered from the place of purchase. Use exact wording from diagrams when ordering parts.