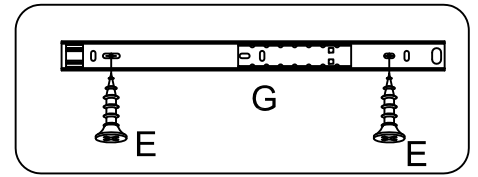
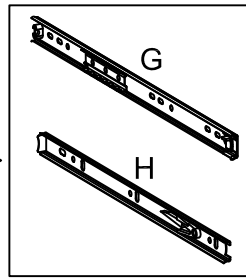
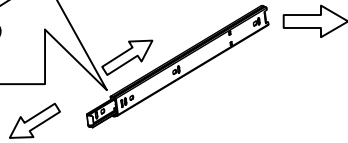
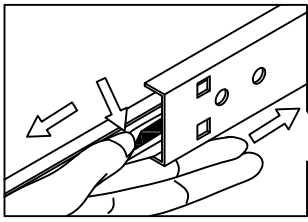
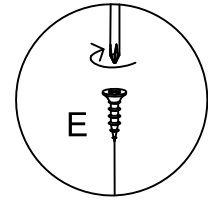
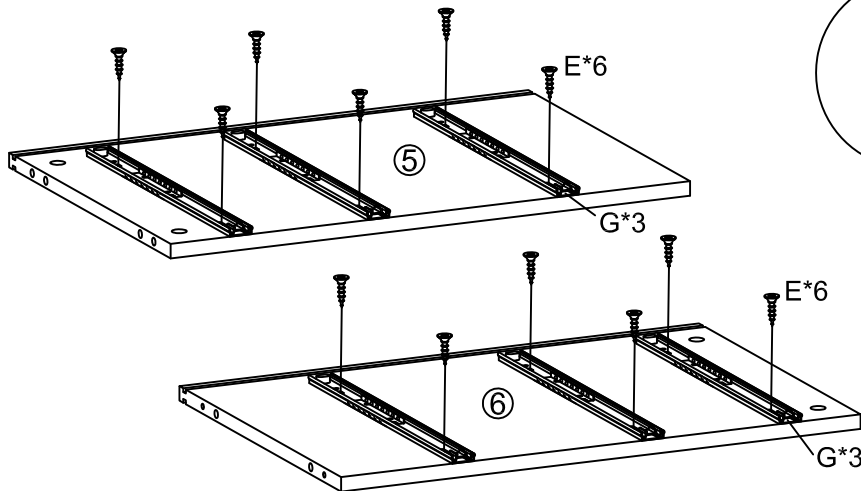




A	x20	B	x20	C	x8	D	x16	E	x60	F	x12	G	x6	H	x6
M6*35mm		Ø15mm		7*50mm		Ø8*30mm		Ø3.5*14mm		Ø4*35mm		340mm		340mm	
I	x12	J	x12	K	x4	L	x16	M	x5	N	x10	O	x1	P	x4
		M6*30mm		M6*40mm								M4			
Q	x8	R	x1	S	x2	T	x2	U	x2	V	x2				
				M6*12mm						M4*45mm					

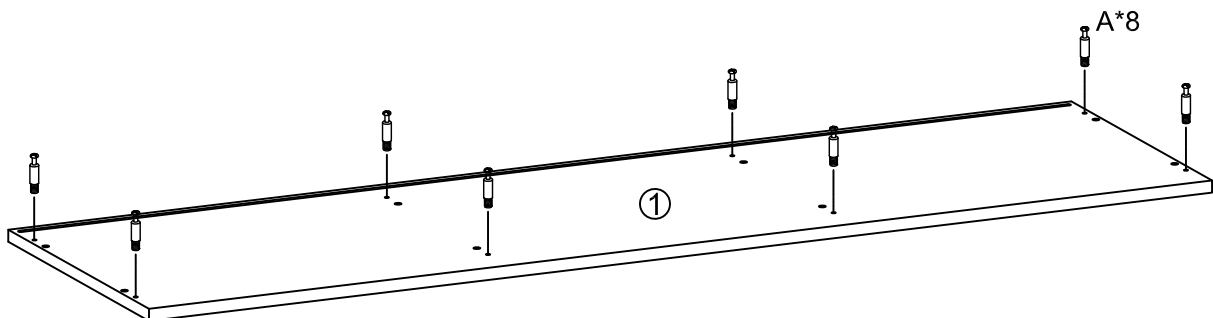
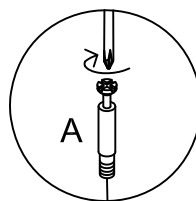


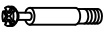
1



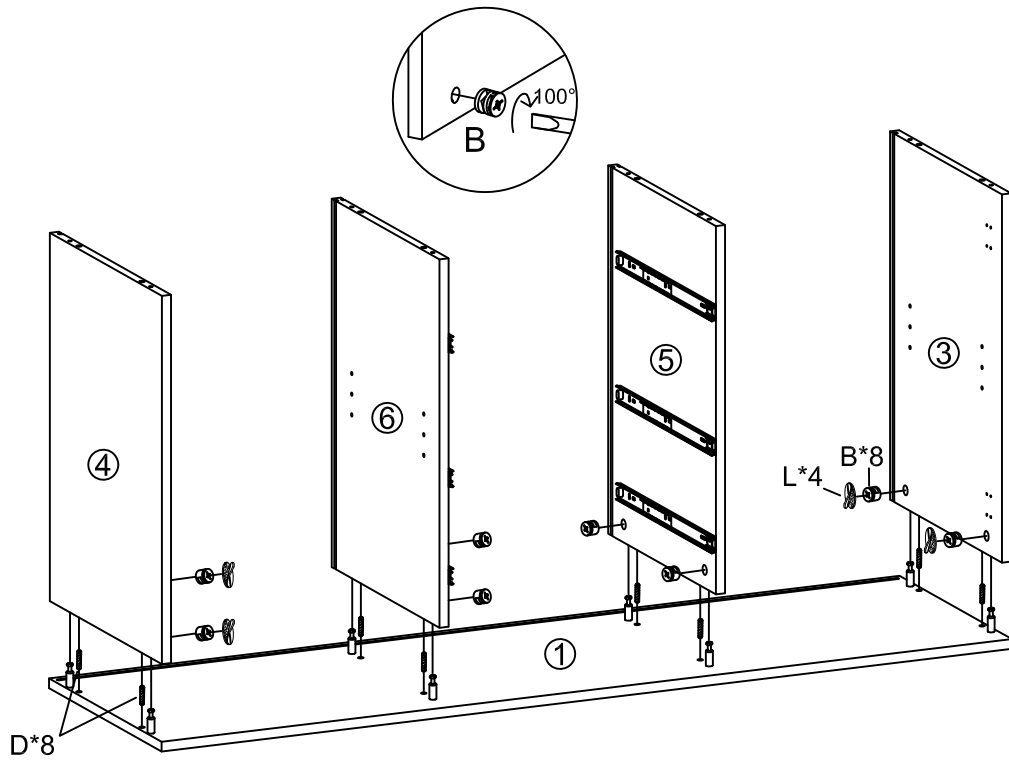
E	x12	G	x6
			
Ø3.5*14mm		340mm	




2



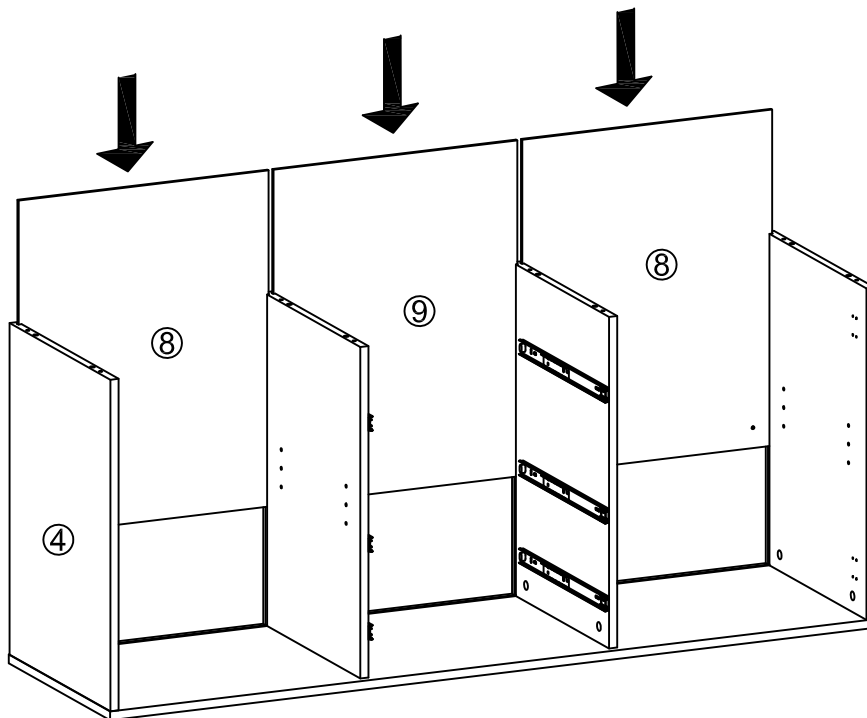
A	x8
	
M6*35mm	

3

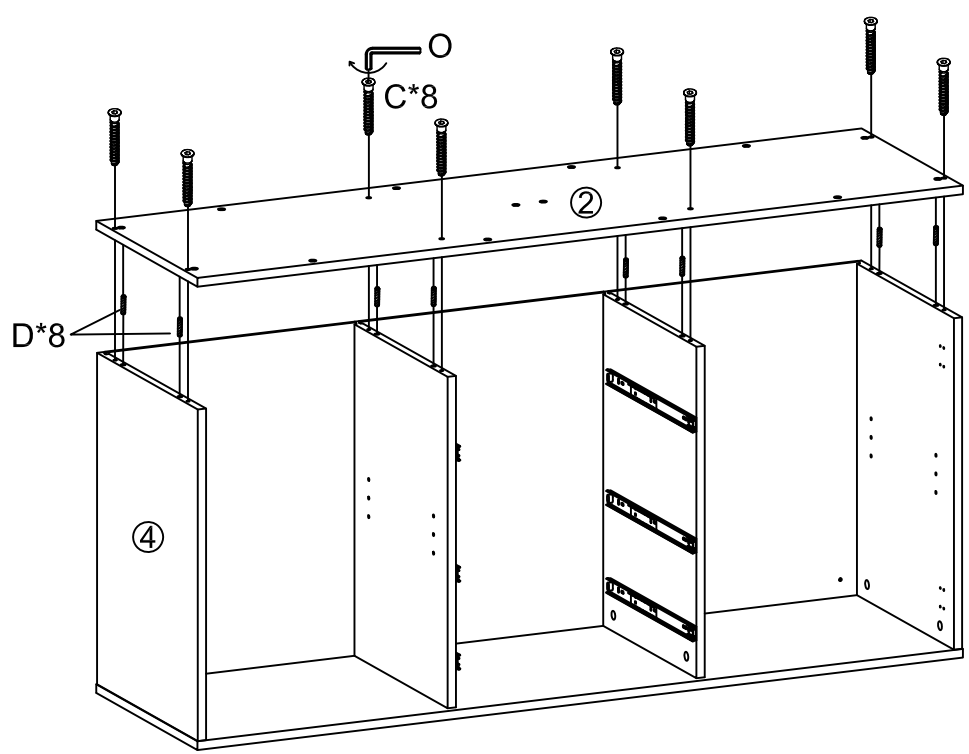
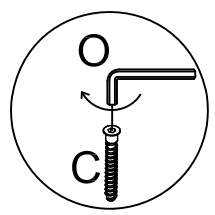


B	x8	D	x8	L	x4
					
Ø15mm		Ø8*30mm			

4

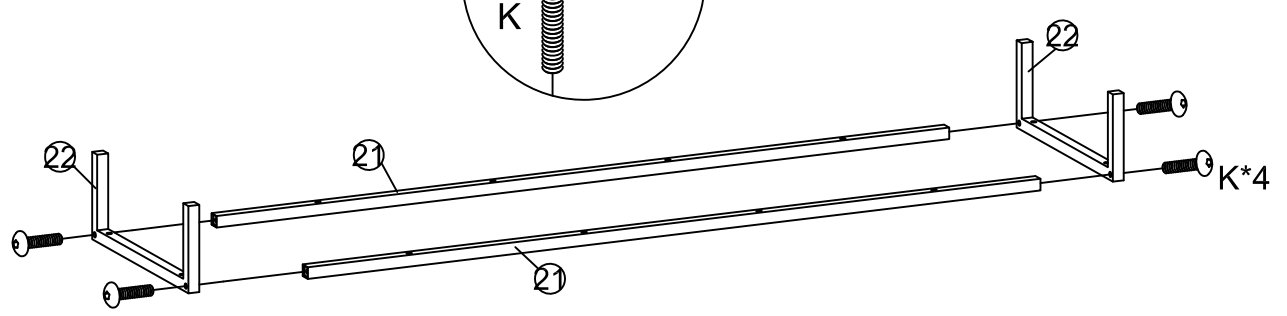
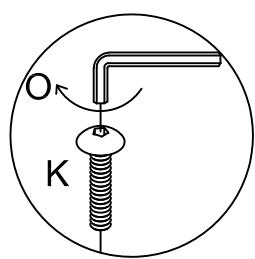


5



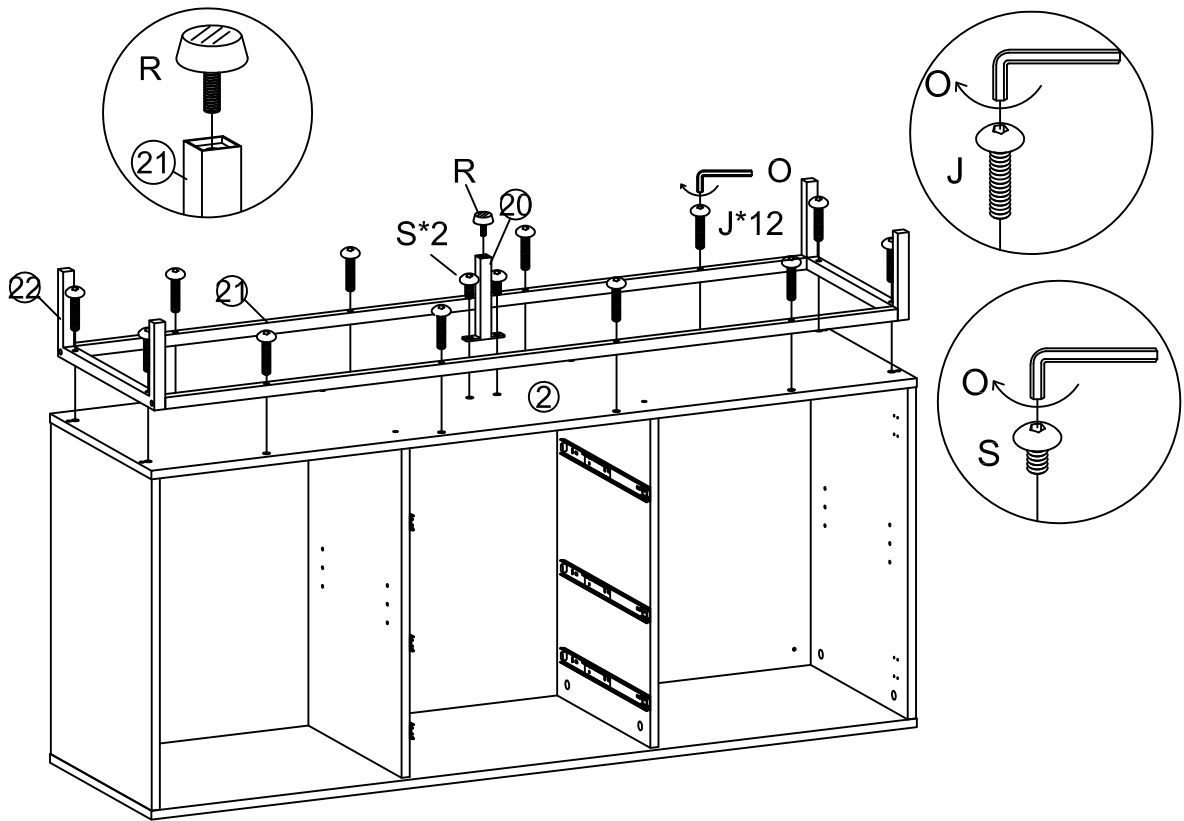
C	x8	D	x8	O	x1
7*50mm		Ø8*30mm		M4	

6



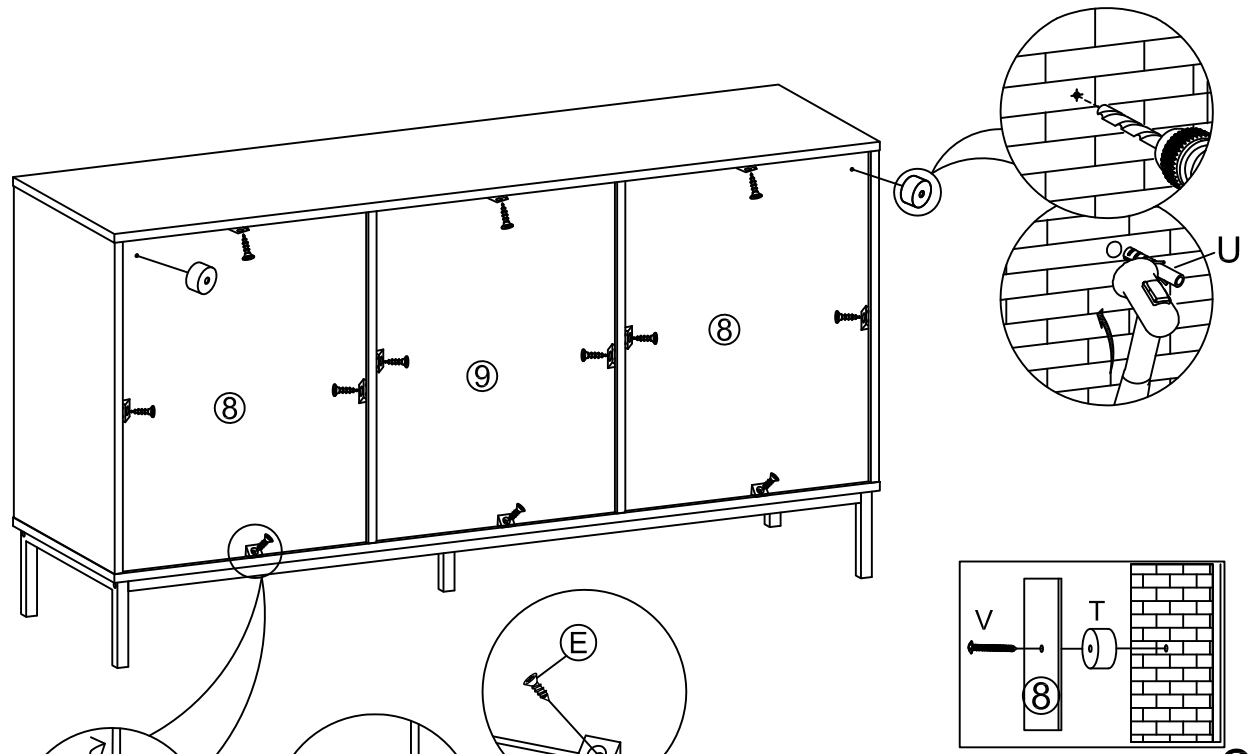
K	x4	O	x1
M6*40mm		M4	

7

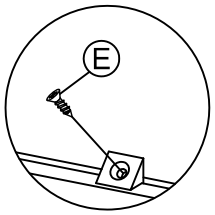
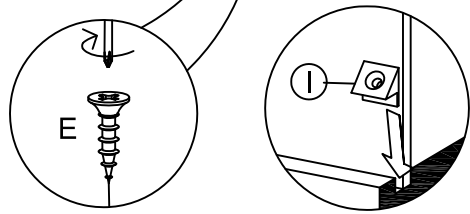


J	x12	O	x1	R	x1	S	x2
M6*30mm		M4				M6*12mm	

8

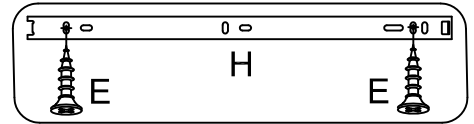
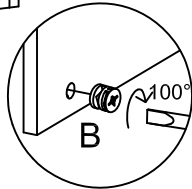
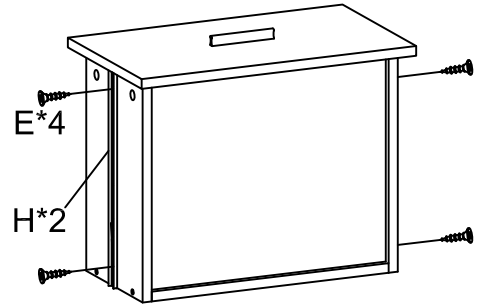
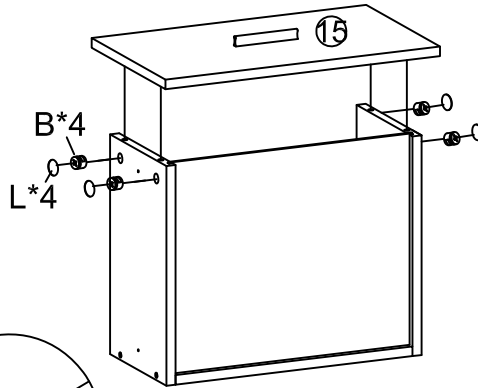
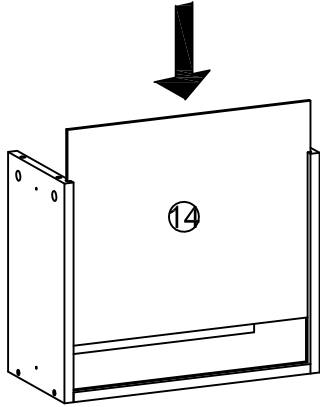
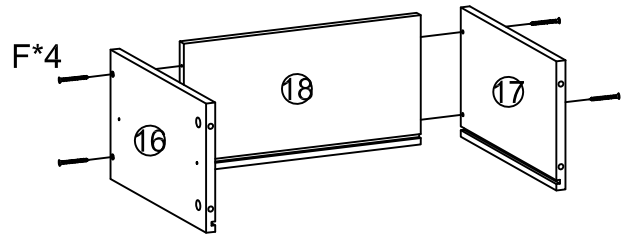
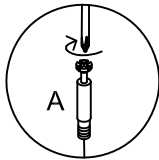
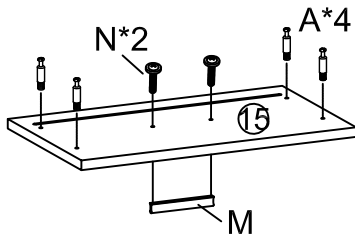


V	x2	T	x2	U	x2	V	x2



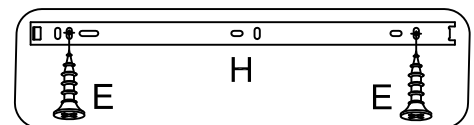
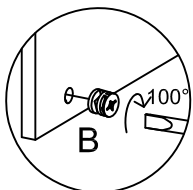
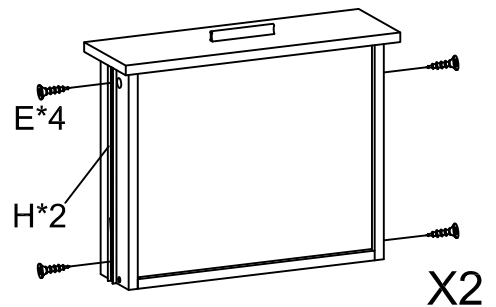
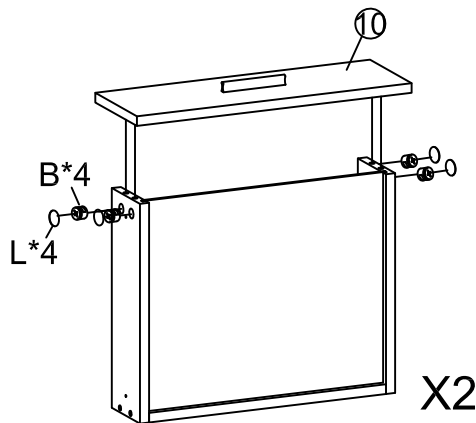
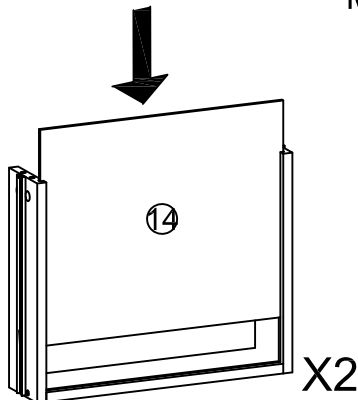
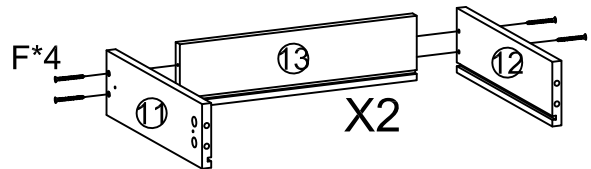
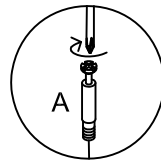
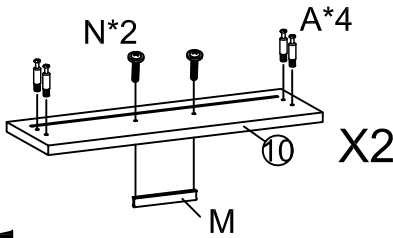
E	x12	I	x12	T	x2	U	x2	V	x2
ø3.5*14mm									

9



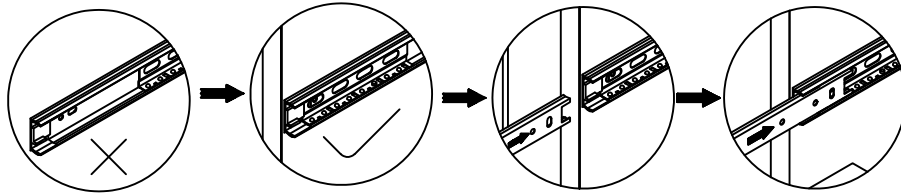
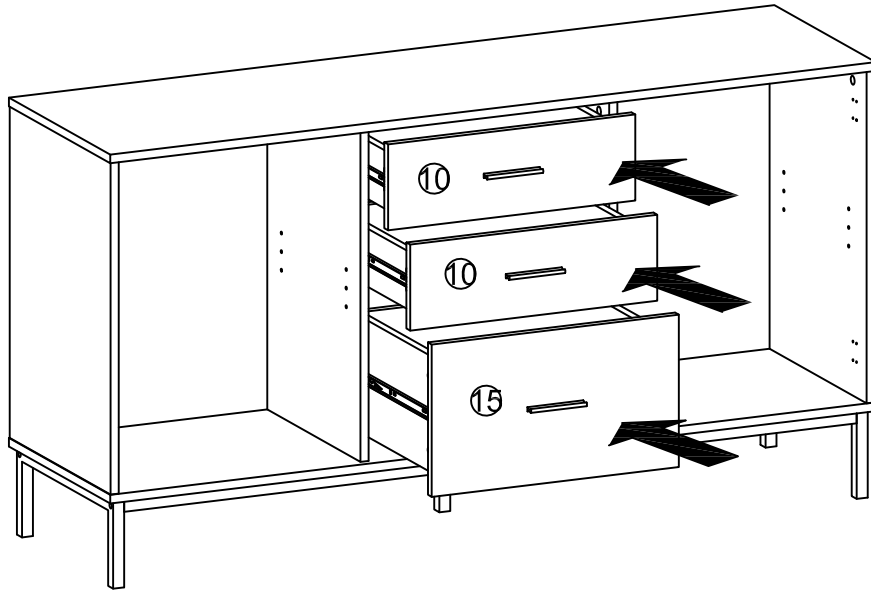
A	x4	B	x4	E	x4	F	x4	H	x2	L	x4	M	x1	N	x2
M6*35mm		φ15mm		φ3.5*14mm		M4*35mm		340mm		φ20				M4*18mm	

10

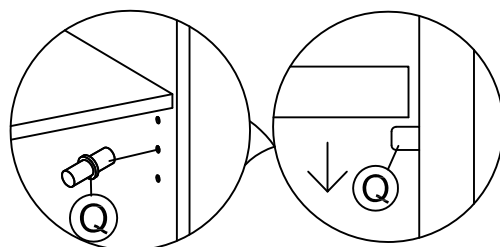
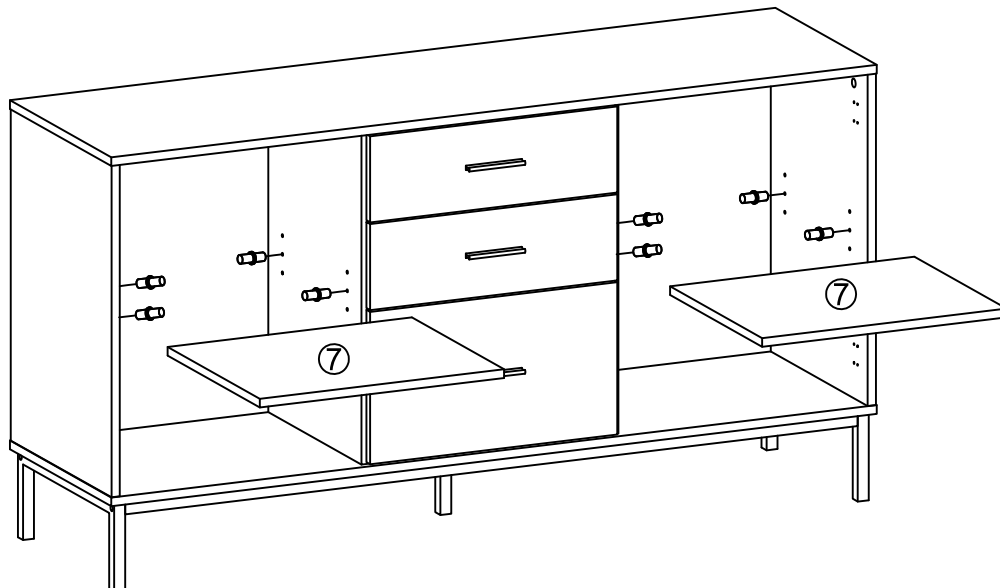


A	x8	B	x8	E	x8	F	x8	H	x4	L	x8	M	x2	N	x4
M6*35mm		φ15mm		φ3.5*14mm		M4*35mm		340mm		φ20				M4*18mm	

11

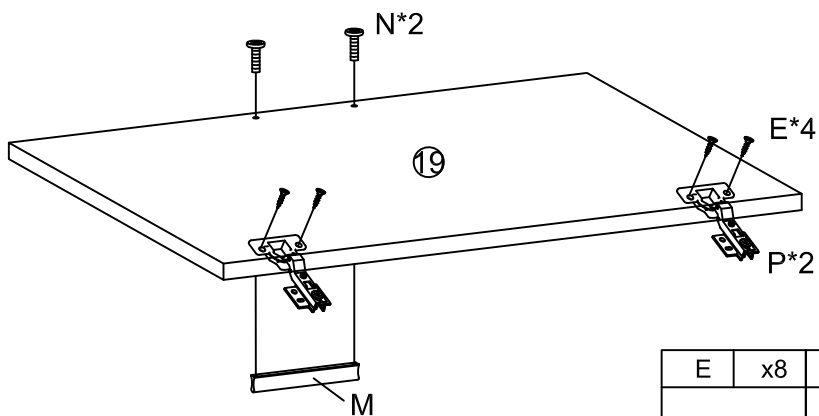
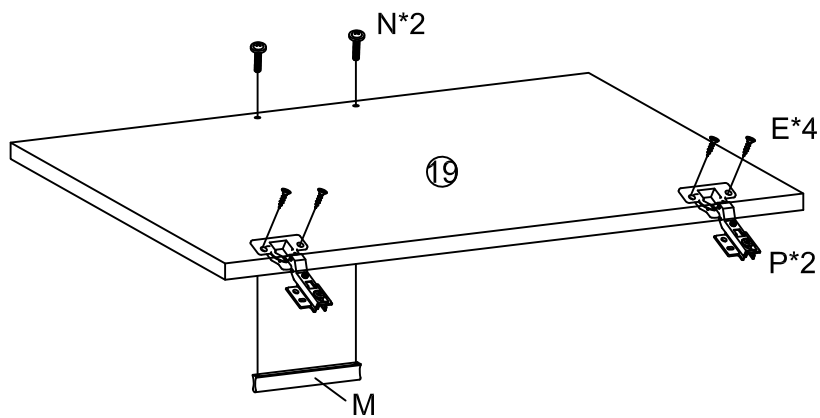





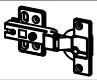
12



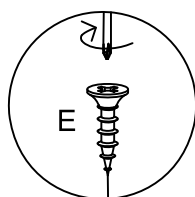
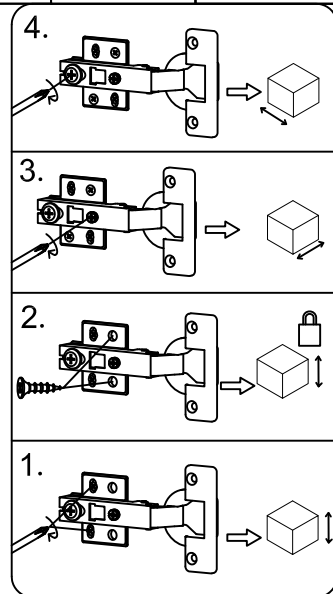
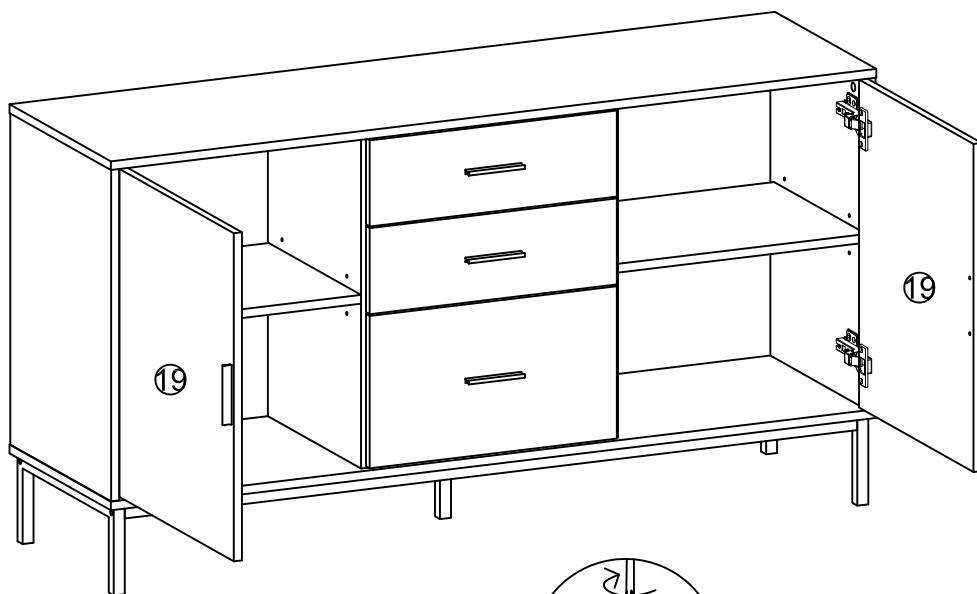
Q	x8


13



E	x8	M	x2	N	x4	P	x4
							
Ø3.5*14mm							

14



H	x16
	
Ø3.5*14mm	