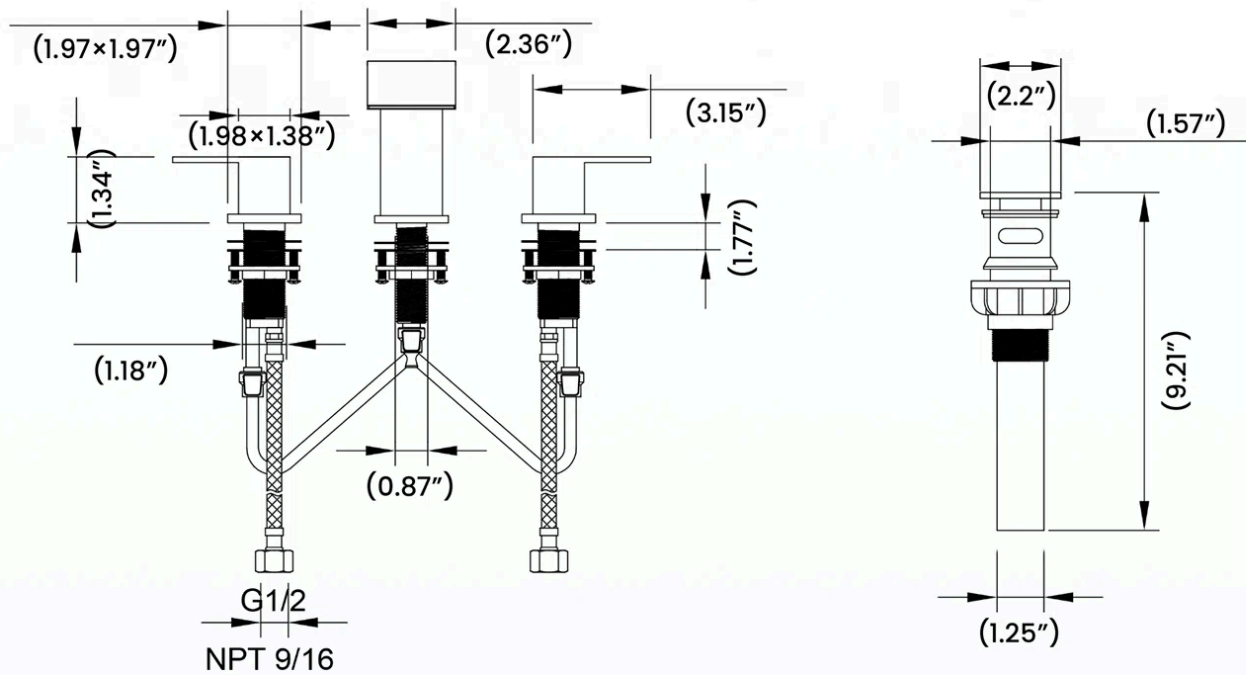
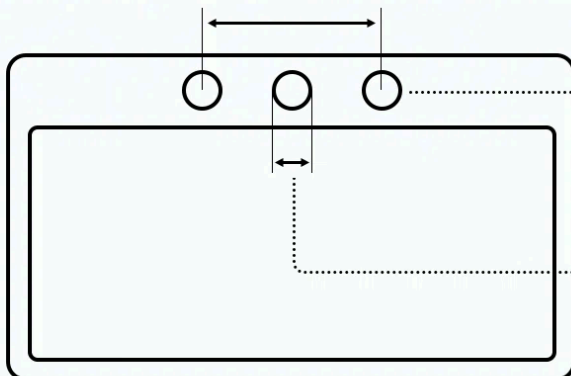


# Product Dimension

Product parameters and installation requirements



**Recommend 6"-12" centerset width**



**Maximum Thickness  
1.38"/35mm**

**Pre-drilled hole size requirement:  
1.26"min -1.38"max**