

WARRANTY

We strive to offer high-quality products, and we also try our best to satisfy each and every customer that orders from us with product or service as needed. We provide 1 year warranty starting from the time you receive the item. Each customer must provide a record of their order such as the order number, or item receipt for any items that are out of the warranty period, you may also still receive replacement parts by purchasing them with our company if they are available.

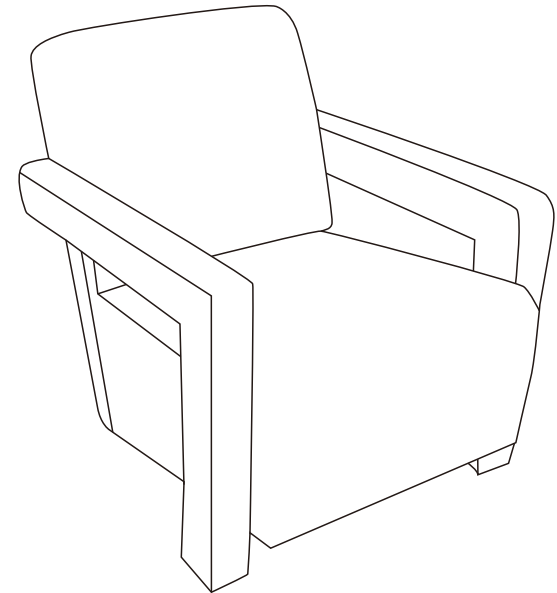
**Are you having difficulty
with assembly? Missing parts?**

**Please send email with your order No to
furniture01service@gmail.com**

**For return, please check the return policy with
the retailer or market place you bought from.**

**Appreciate your purchasing from us.
Pop up your life by our furniture piece!**

Assembly Instructions



ITEM NO. E011-004-001

**NOTE: Please read these instructions carefully before
starting assembly**

HASSEL-FREE WARRANTY

We proudly provide 1-YEAR warranty, if there are any questions with the products, please feel free to contact with us.



The assembly will be easier
with 2 people while 1 person
could also do the job.

MAINTAINANCE AND WARNING

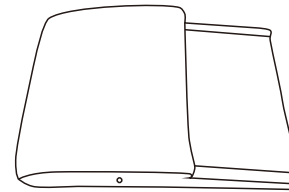
- Keep furniture away from heat sources.
- Do not clean furniture with harsh cleaner or polishes. Do not use detergents, Solvents, abrasives, spray packs or leather cleaner. Use non-color mild soap with warm water to clean spills(Mix 1:10 soap to water)
- Do not place furniture under direct sunlight, material will possibly fade over time.
- Do not use on site dry Cleaning machine. Children should not climb or jump on the furniture.
- Do not write on furniture that is not protected by a padded barrier .



Weight Limitation
250LBS

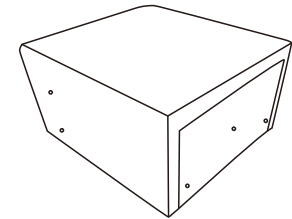
PARTS LIST1

A*1



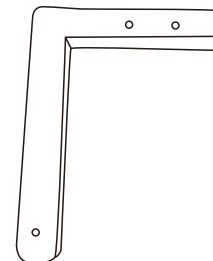
BACK

B*1



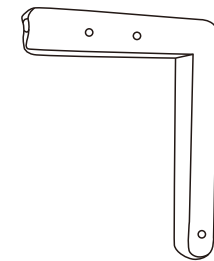
SEAT

C*1



LEG

D*1



LEG

HARDWARE

LIST

①*9

M8*60



Bolt

②*9

M8



S-Spring

③*9

M8/Φ22mm



Flat washer

④*1

M8



Allen key

SPARE

①*1

M8*60



Bolt

②*1

M8



S-Spring

③*1

M8/Φ22mm



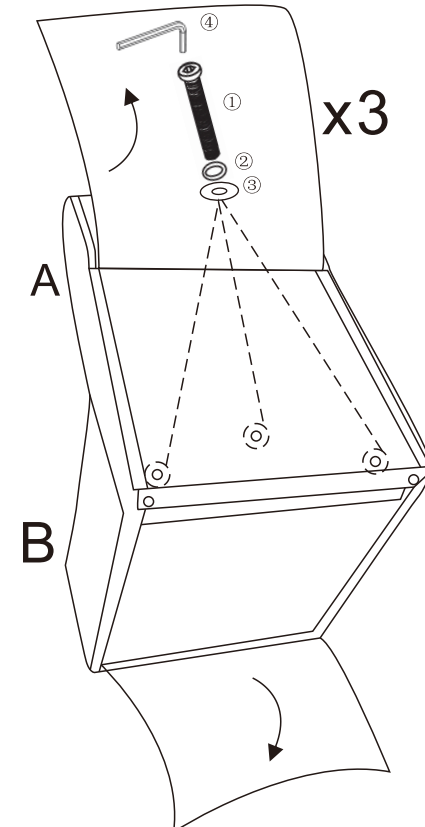
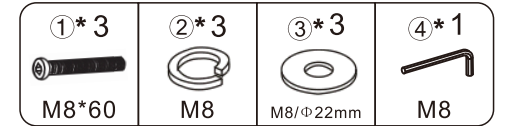
Flat washer

Be sure to inspect all packing material carefully for small parts, that may have come loose inside the carton during shipment.

AMMEMBLY

INSTRUCTION

STEP 1:

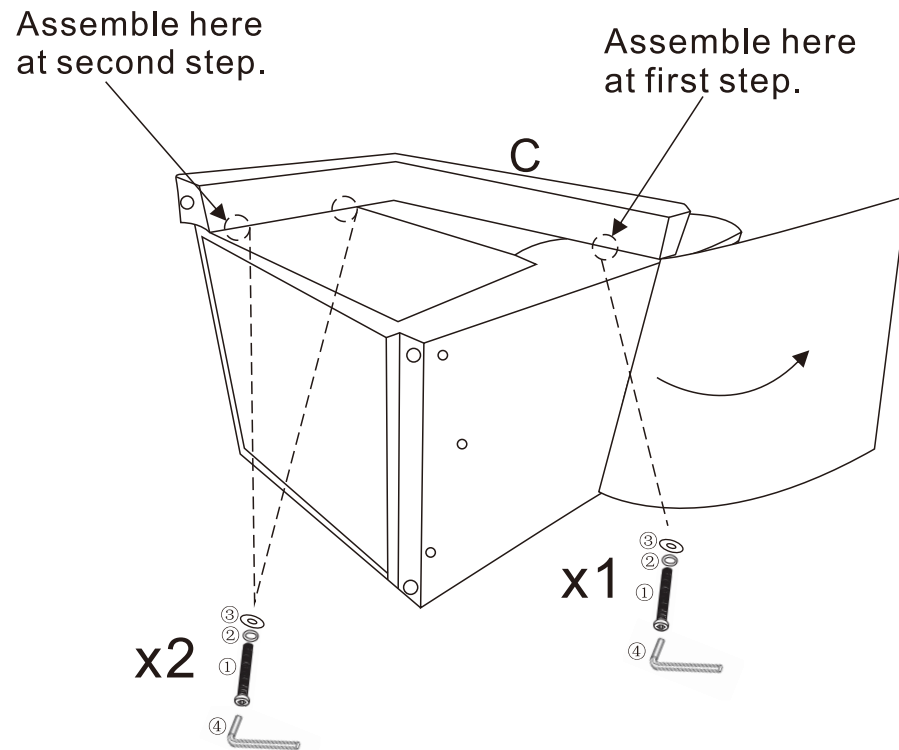
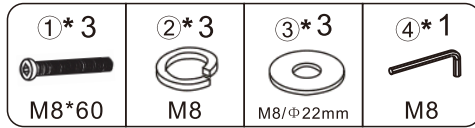


Using bolts(1),S-Spring(2),Flat washer(3) with provided Allen Key(4) to assemble (A) & (B)
Do no fully tighten any bolt, but 90%.

AMMEMBLY

INSTRUCTION

STEP2:

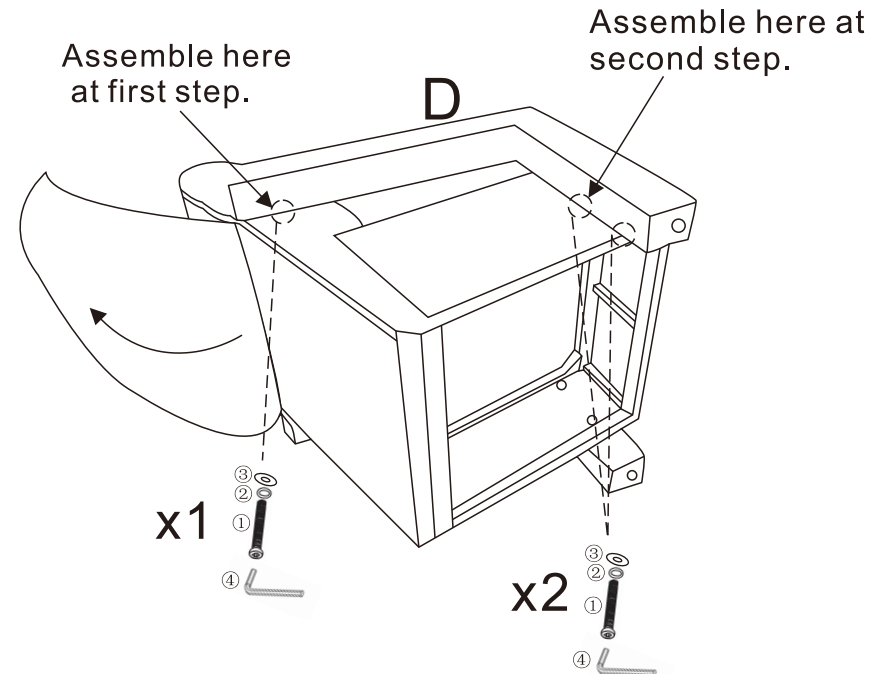
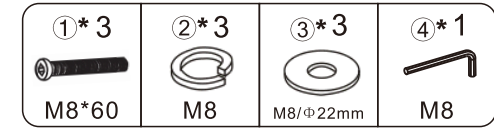


Using bolts(1),S-Spring(2),Flat washer(3) with provided Allen Key(4) to assemble leg (C)
Do no fully tighen any bolt, but 90%.

AMMEMBLY

INSTRUCTION

STEP3:

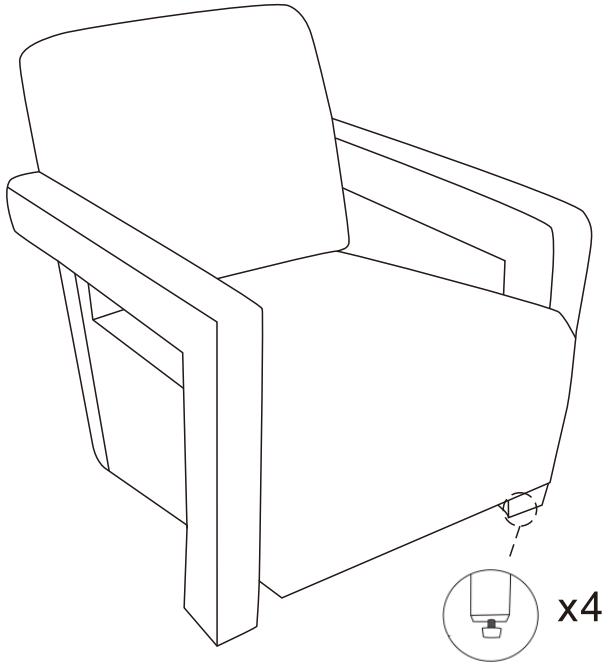


Using bolts(1),S-Spring(2),Flat washer(3) with provided Allen Key(4) to assemble leg (D)
Do no fully tighen any bolt, but 90%.

AMMEMBLY

INSTRUCTION

STEP 4:



Seat on the chair and wiggle.
Ensure the chair is level on the floor.
Then tighten all the screws to 100%.
Legs with the adjustable foot pads, adjust them
in case uneven.