

Pure & Easy

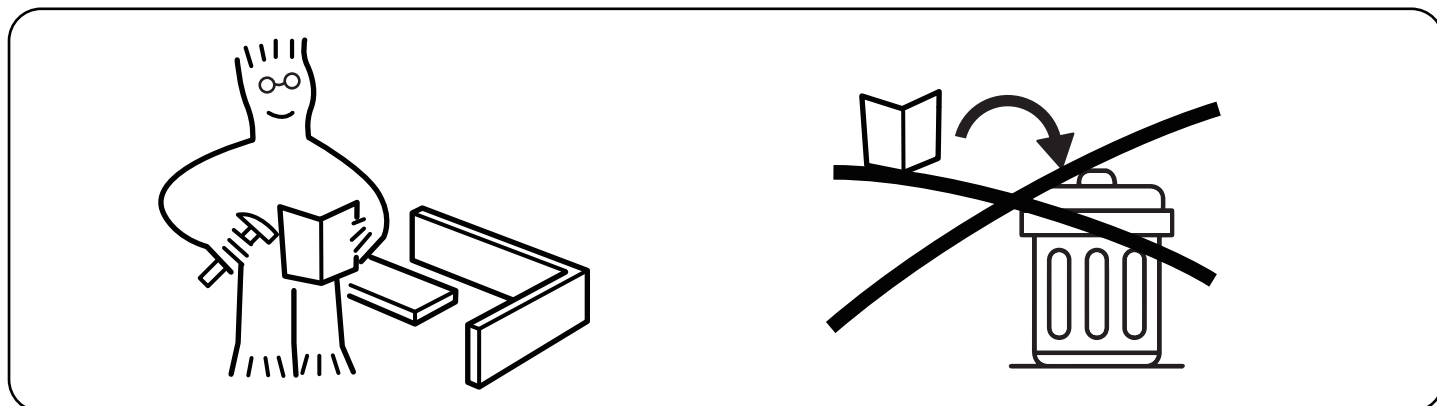


ASSEMBLY INSTRUCTIONS



NOTICE

IMPORTANT, RETAIN FOR FUTURE REFERENCE: READ CAREFULLY
WICHTIG, FÜR SPÄTERE NACHSCHLAGE AUFBEWAHREN: SORGFÄLTIG LESEN
IMPORTANTE, GUARDAR PARA REFERENCIA FUTURA: LEER ATENTAMENTE
IMPORTANTE, CONSERVARE PER RIFERIMENTI FUTURI: LEGGERE ATTENTAMENTE
IMPORTANT, À CONSERVER POUR RÉFÉRENCE FUTURE : LIRE ATTENTIVEMENT



Assemble on a flat and solid surface. To avoid the unstable surface affecting the overall frame stability during installation.

Montieren Sie auf einer ebenen und festen Oberfläche. Um zu verhindern, dass eine unebene Oberfläche während der Montage die Gesamtrahmen-Stabilität beeinträchtigt.

Ensamblar en una superficie plana y sólida. Afin d'éviter que la surface inégale n'affecte la stabilité générale du cadre lors de l'installation.

Assemblare su una superficie piana e solida. Per evitare che una superficie irregolare influisca sulla stabilità complessiva della struttura durante l'installazione.

Assembler sur une surface plate et solide. Para evitar que la instalación en una superficie irregular afecte la estabilidad general del marco.

Professional installation is highly recommended.

Eine professionelle Installation wird dringend empfohlen.

Une installation professionnelle est fortement recommandée.

Si raccomanda vivamente l'installazione professionale.

Se recomienda altamente la instalación profesional.



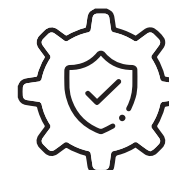
Periodically Check That All Components Are Tightly Secured.

Überprüfen Sie Regelmäßig, Dass Alle Komponenten Fest Gesichert Sind.

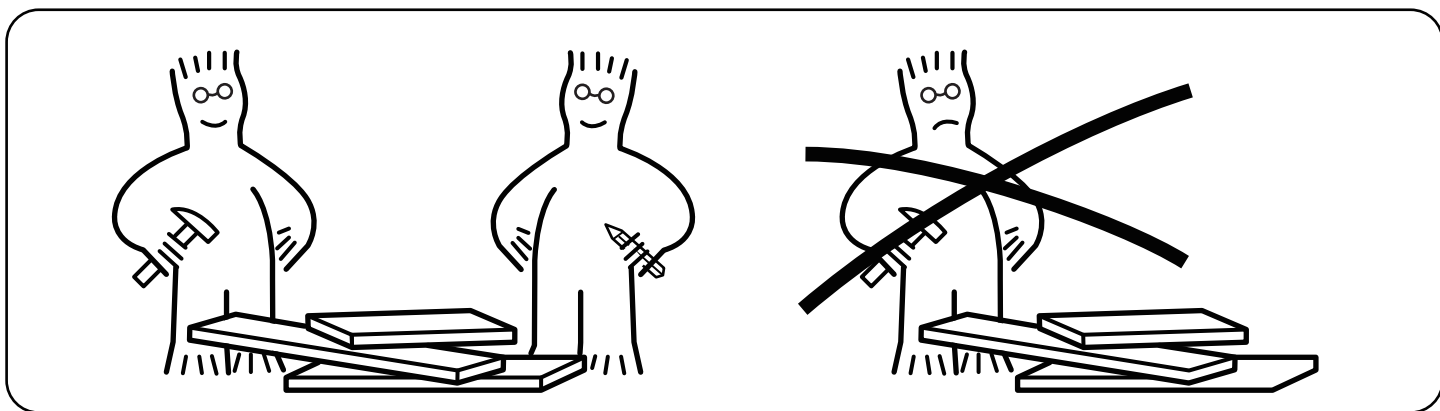
Vérifiez Périodiquement Que Tous Les Composants Sont Bien Fixés.

Controllare Periodicamente Che Tutti I Componenti Siano Ben Fissati.

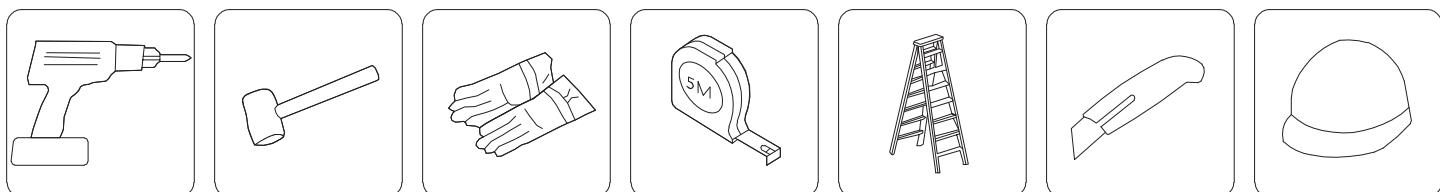
Verifique Periódicamente Que Todos Los Componentes Estén Bien Asegurados.











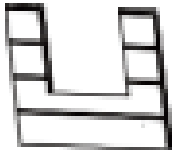




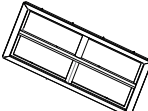
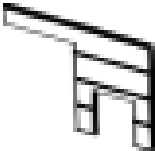
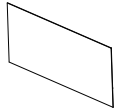






It is recommended that multiple people assemble this product.
Es wird empfohlen, dass mehrere Personen dieses Produkt zusammenbauen.
Il est recommandé que plusieurs personnes assemblent ce produit.
Si raccomanda che più persone assemblino questo prodotto.
Se recomienda que varias personas ensamblen este producto.

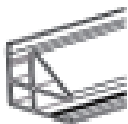



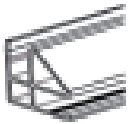
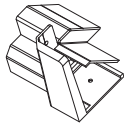

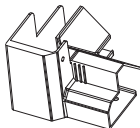

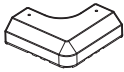

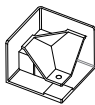

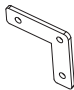

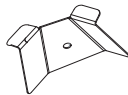

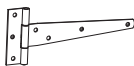

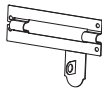

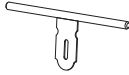


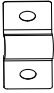



Please have the following auxiliary tools ready:






PARTS

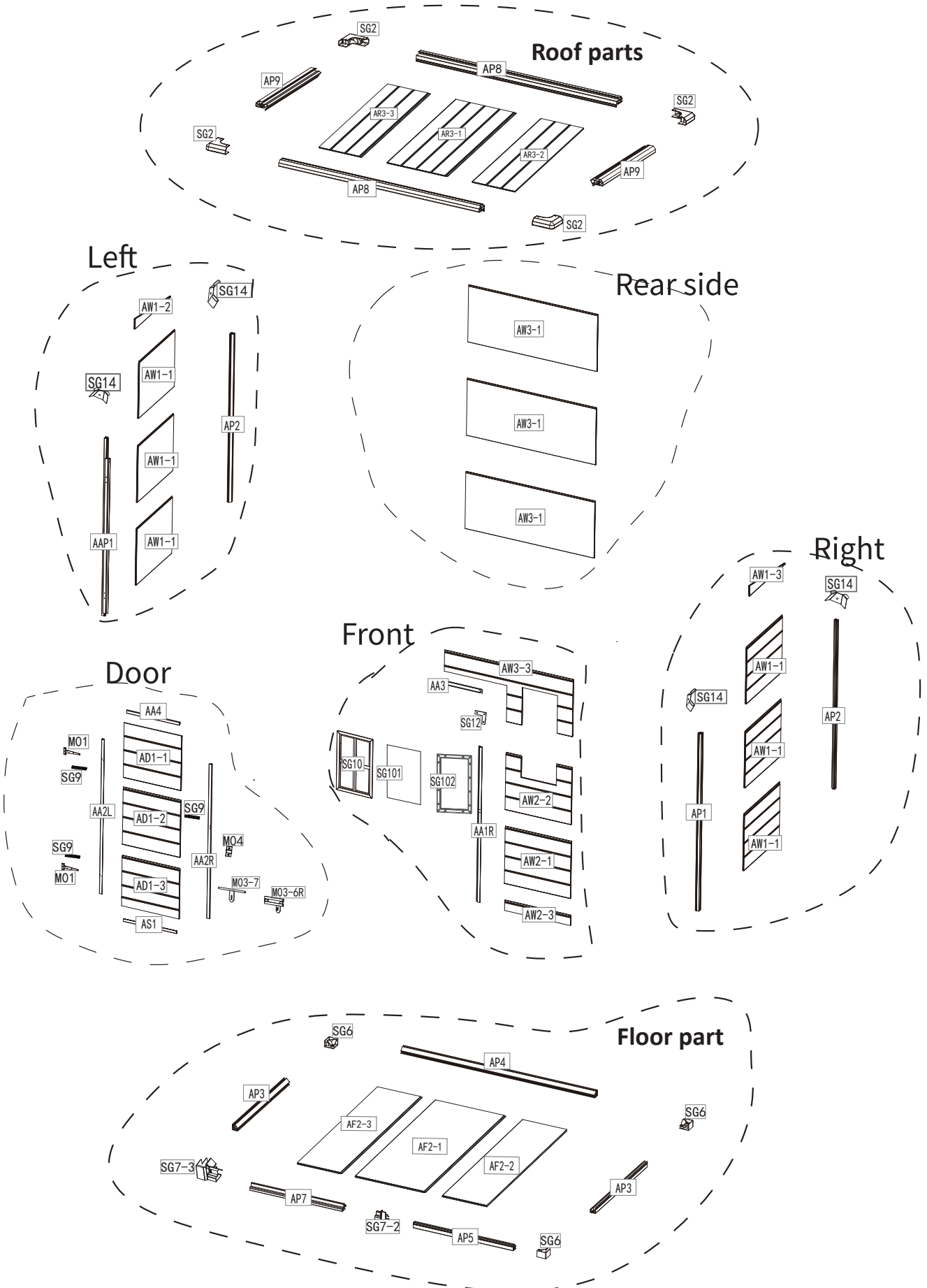
| Item no. | Reference Image | Qty. | Item no. | Reference Image | Qty. |
|----------|---|------|----------|---|------|
| AW1-1 |  | X6 | AR3-1 |  | X1 |
| AW1-2 |  | X1 | AR3-2 |  | X1 |
| AW1-3 |  | X1 | AR3-3 |  | X1 |
| AW2-1 |  | X1 | AF2-1 |  | X1 |
| AW2-2 |  | X1 | AF2-2 |  | X1 |
| AW2-3 |  | X1 | AF2-3 |  | X1 |
| AW3-1 |  | X3 | SG10 |  | X1 |
| AW3-3 |  | X1 | SG101 |  | X1 |
| AD1-1 |  | X1 | SG102 |  | X1 |
| AD1-2 |  | X1 | AP1 |  | X1 |
| AD1-3 |  | X1 | AP2 |  | X2 |

| Item no. | Reference Image | Qty. | Item no. | Reference Image | Qty. |
|----------|---|------|----------|---|------|
| AP3 |  | X2 | AP8 |  | X2 |
| AP4 |  | X1 | AP9 |  | X2 |
| AP5 |  | X1 | SG7-2 |  | X1 |
| AA3 |  | X1 | SG7-3 |  | X1 |
| AA4 |  | X1 | SG2 |  | X4 |
| AA1R |  | X1 | SG6 |  | X3 |
| AAP1 |  | X1 | SG12 |  | X1 |
| AA2R |  | X1 | SG14 |  | X4 |
| AA2L |  | X1 | M01 |  | X2 |
| AS1 |  | X1 | M03-6R |  | X1 |
| AP7 |  | X1 | M03-7 |  | X1 |

| Item no. | Reference Image | Qty. |
|----------|---|------|
| M04 |  | X1 |
| SG8 |  | X2 |
| SG9 |  | X3 |
| Drill |  | X1 |

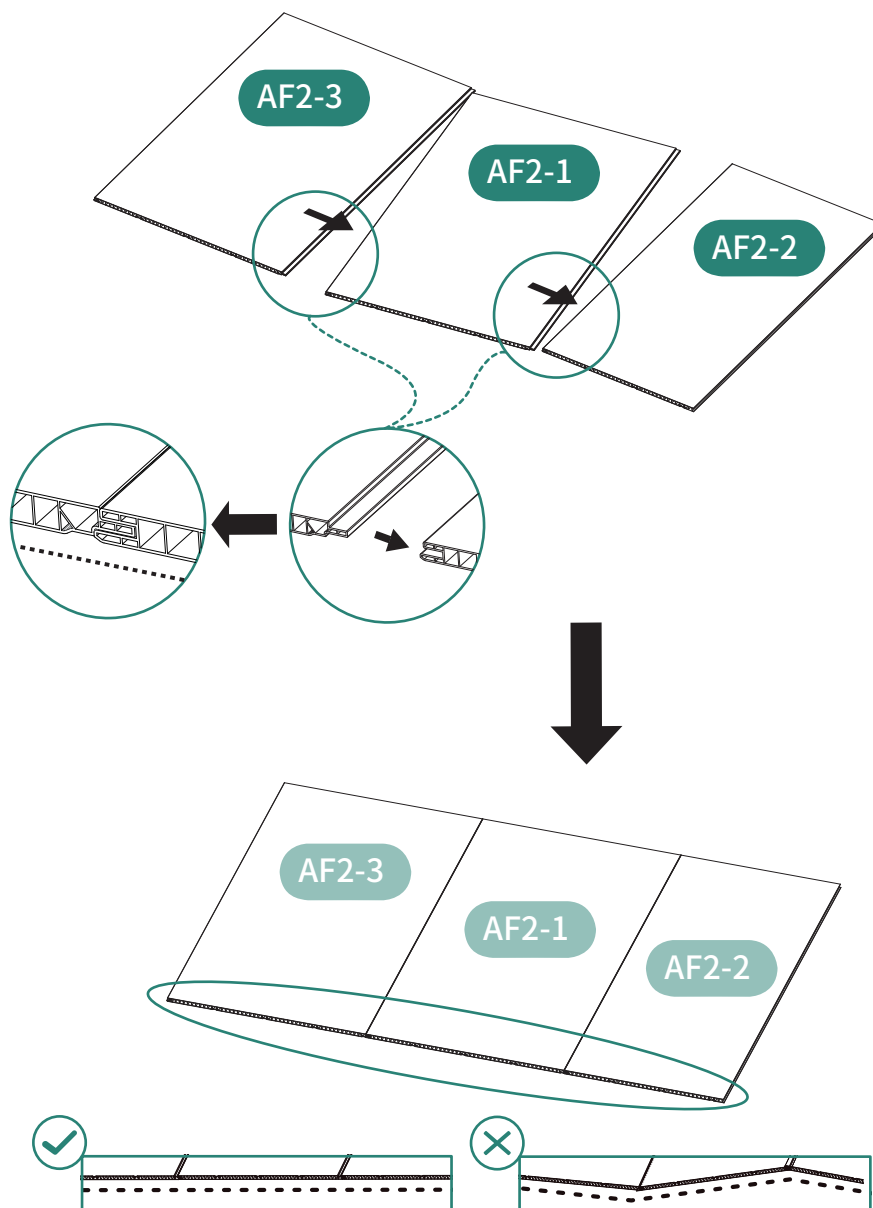
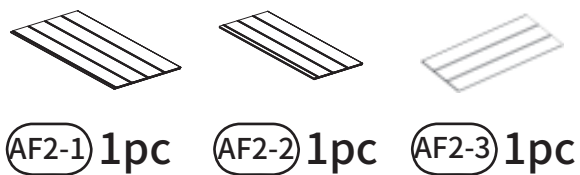
| Item no. | Reference Image | Qty. |
|----------|--|------|
| Z410 |  M4x10mm | X47 |
| Z420 |  M4x20mm | X86 |
| ZW413 |  M4x10mm | X12 |

EXPLODED VIEW

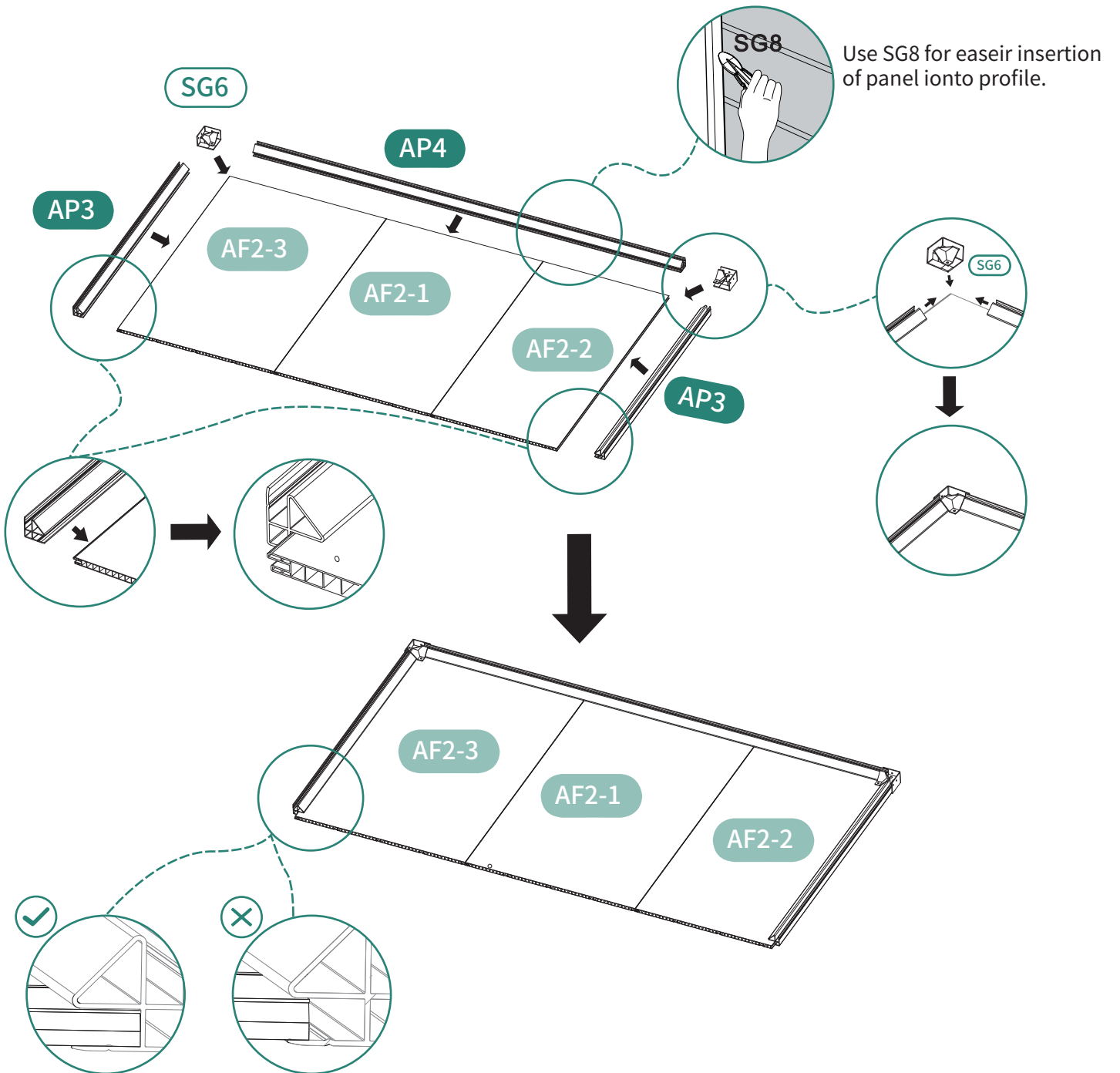
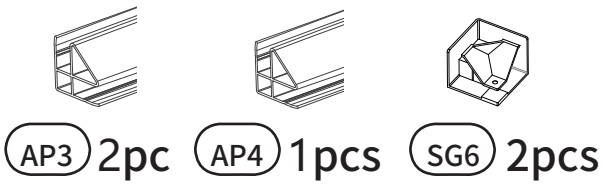


ASSEMBLY

1



2



3



SG7-2 1pc



SG7-3 1pc



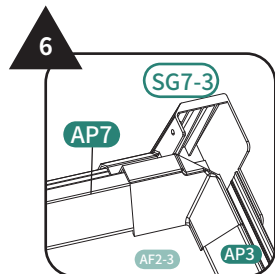
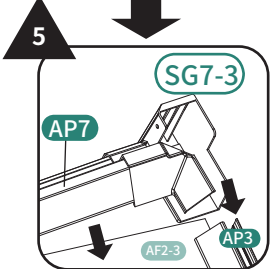
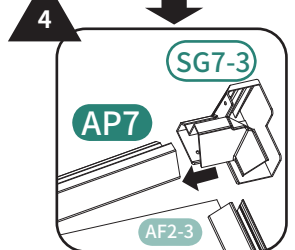
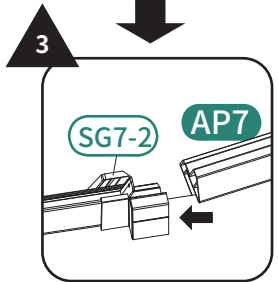
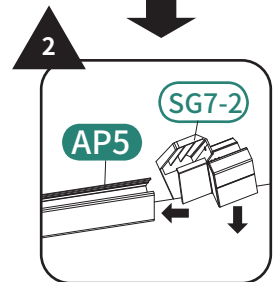
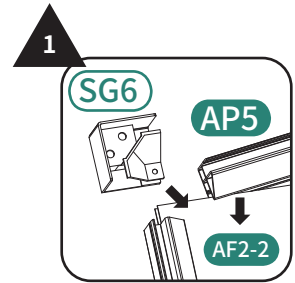
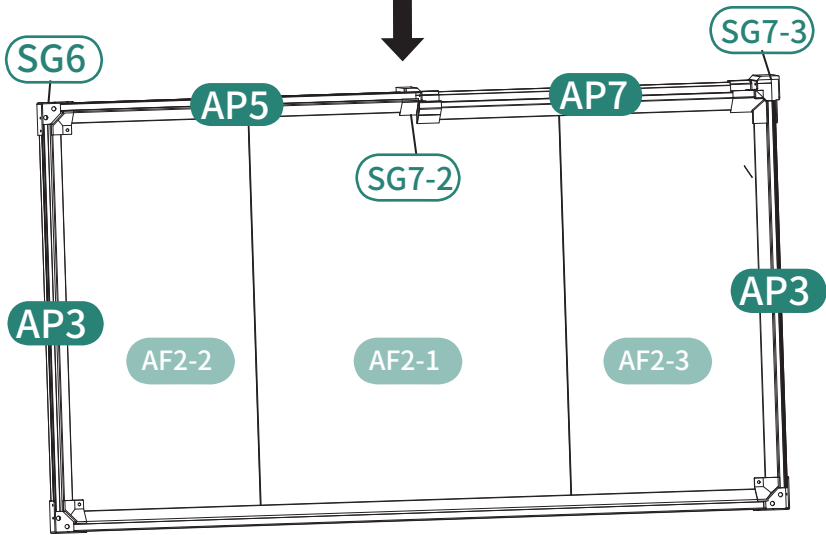
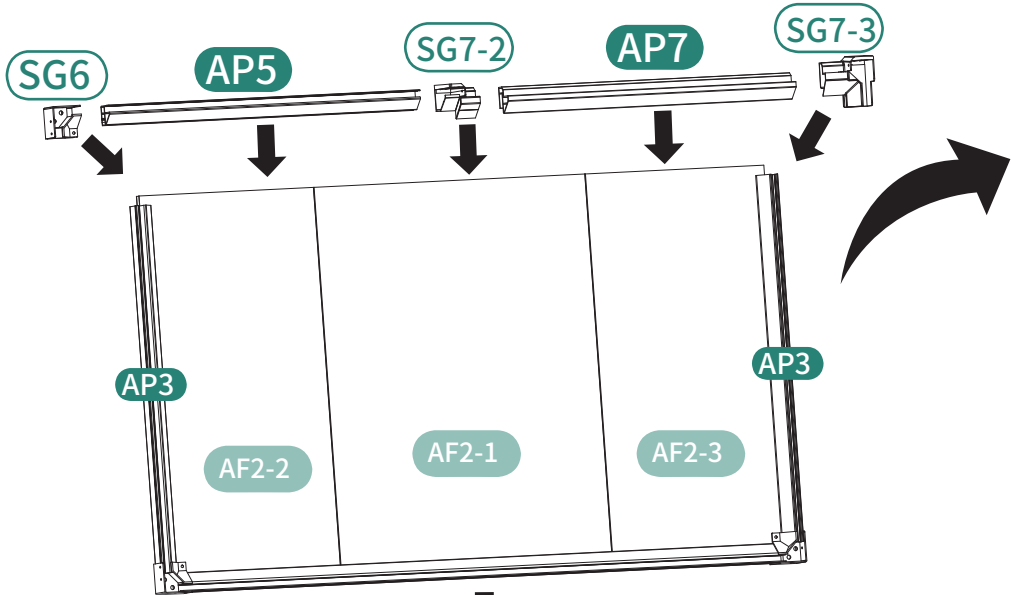
SG6 1pc



AP5 1pc



AP7 1pc

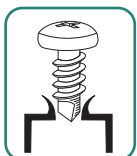
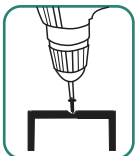
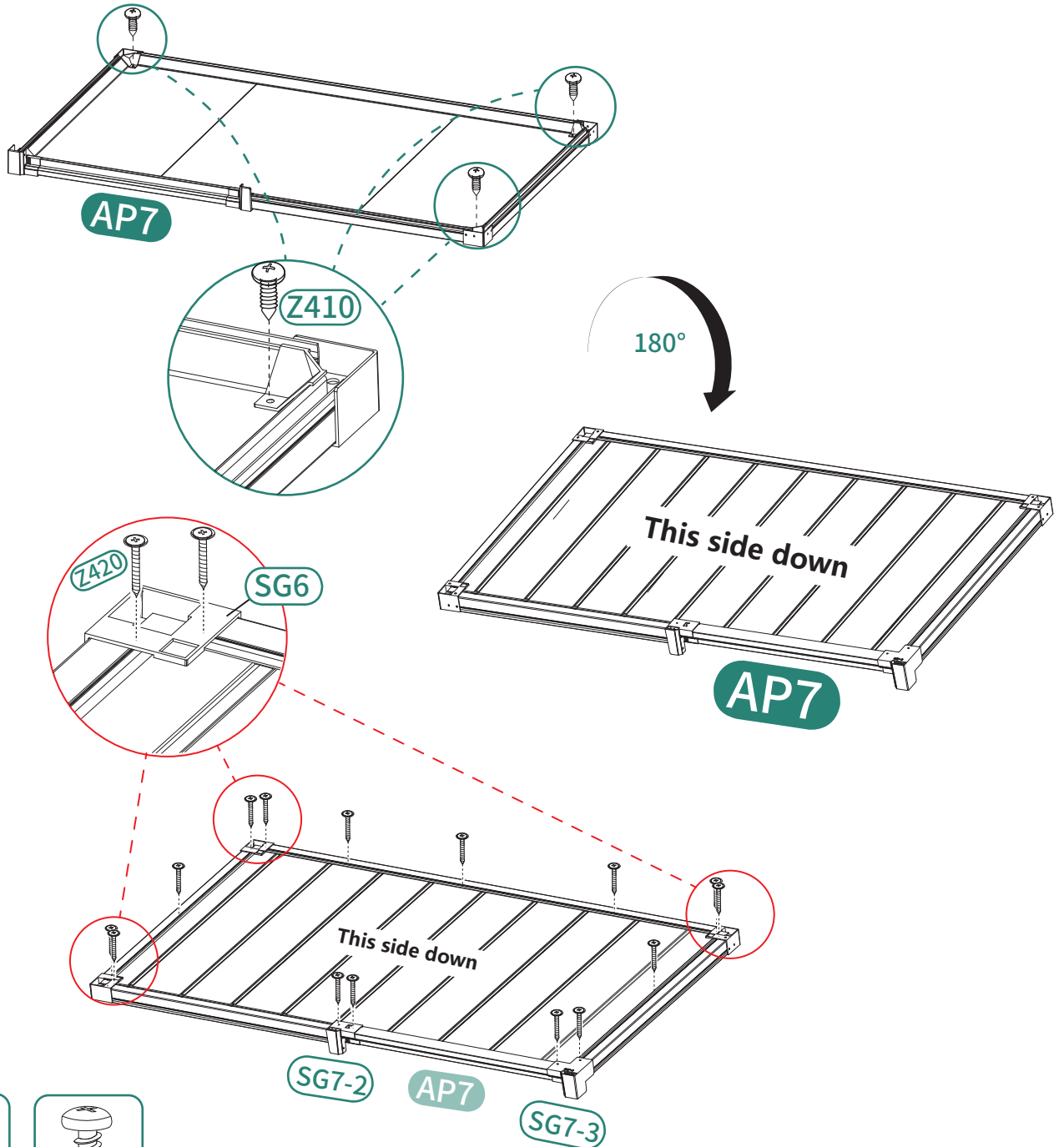


SG8

4

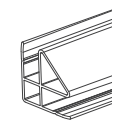


(Z410) 3pcs (Z420) 15pcs

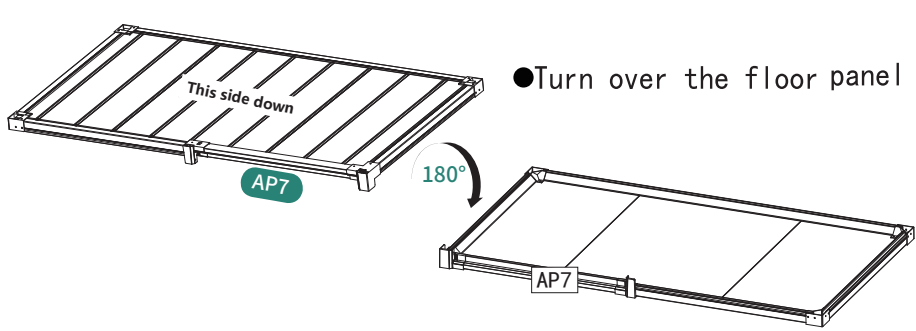


Please use Drill to predrill a hole at depth 1mm before screw.

5



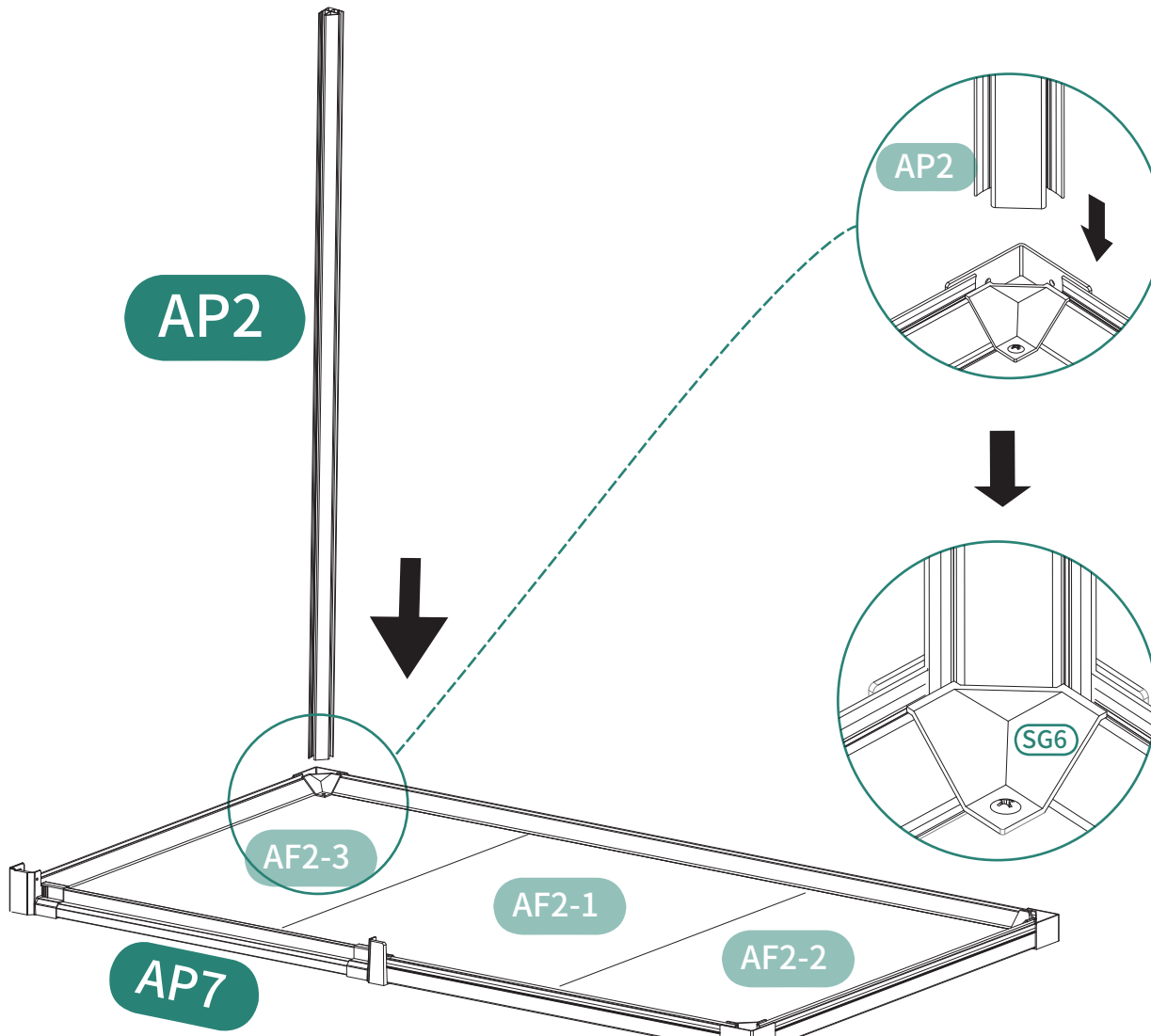
AP2 1pc



● Turn over the floor panel

180°

AP7



AP2

AP7

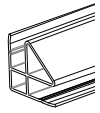
AF2-1

AF2-2

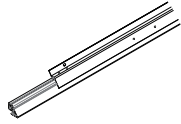
AF2-3

SG6

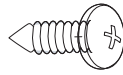
7



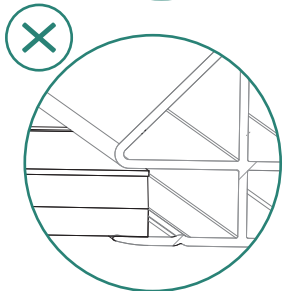
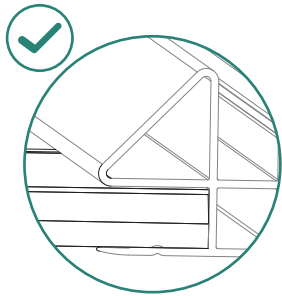
AP2 1pc



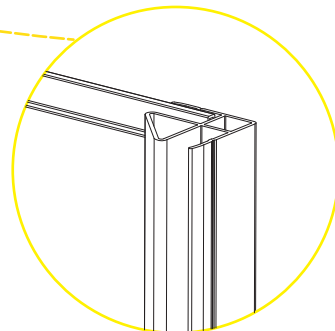
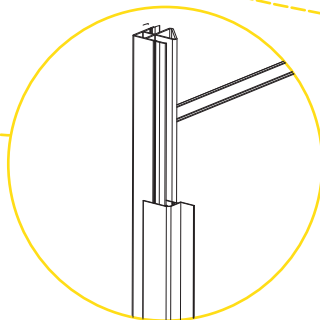
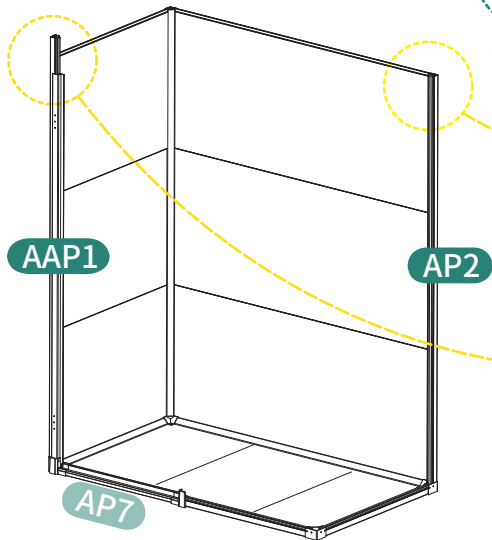
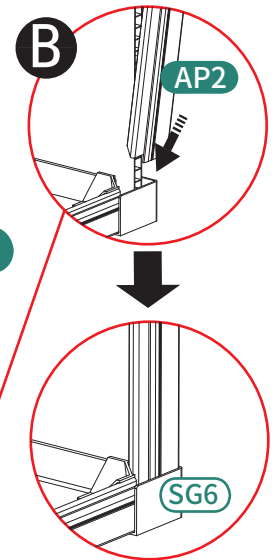
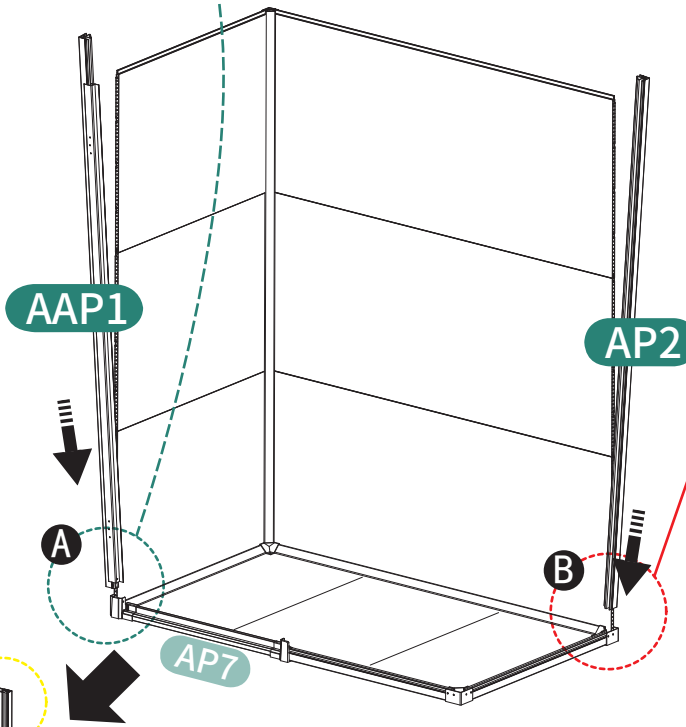
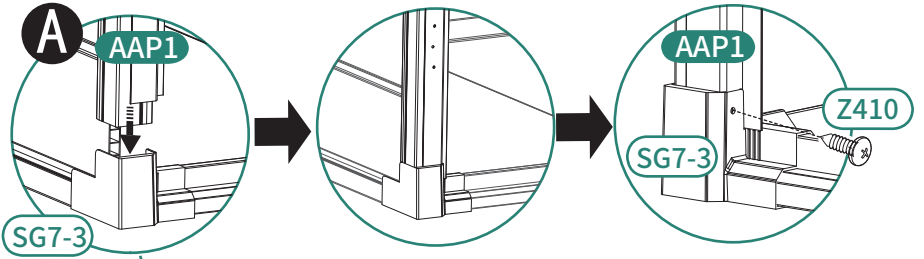
AAP1 1pc



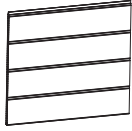
Z410 1pc



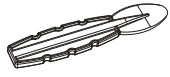
● Fully fit the panel inside the profile



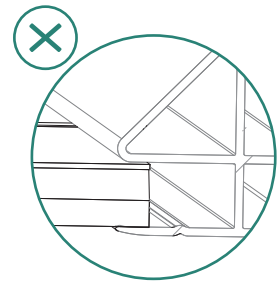
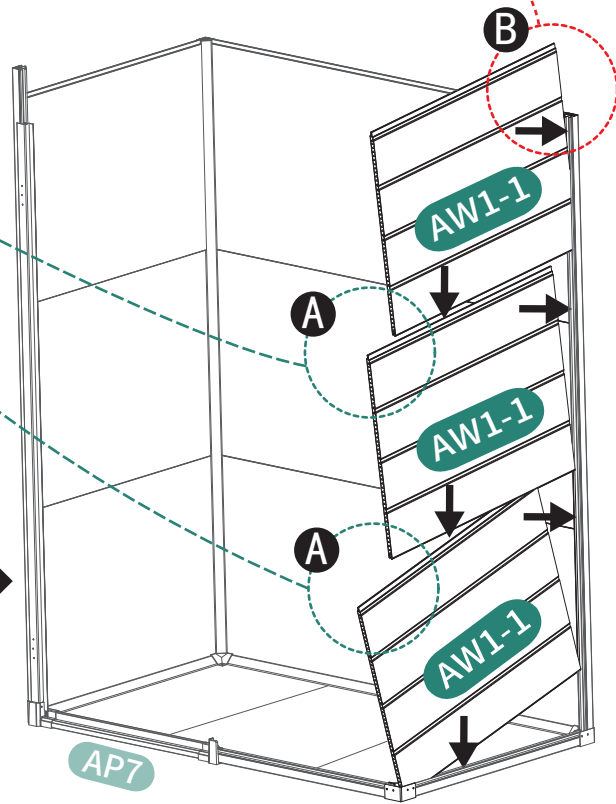
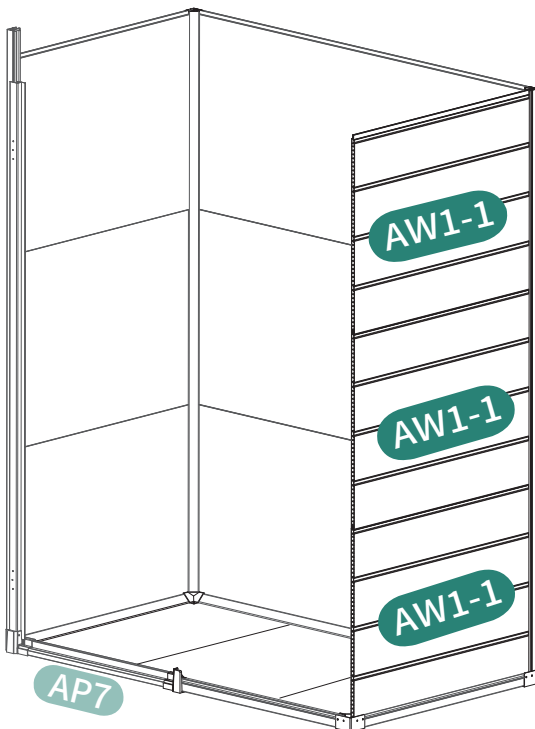
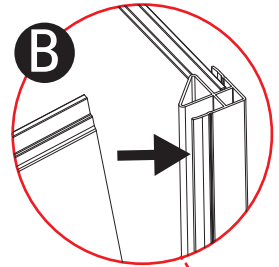
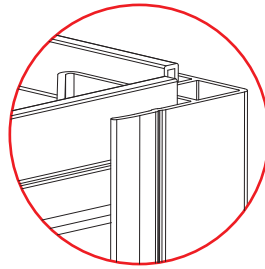
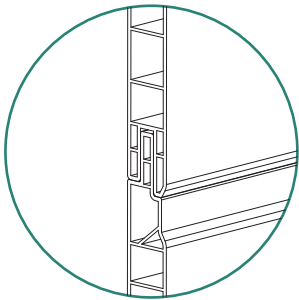
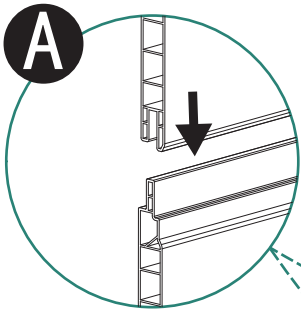
8



AW1-1 3pcs



SG8 1pc



● Fully fit the panel inside the profile

9



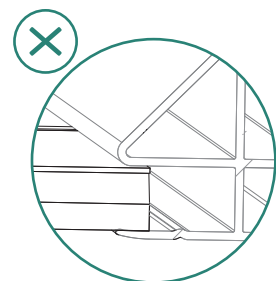
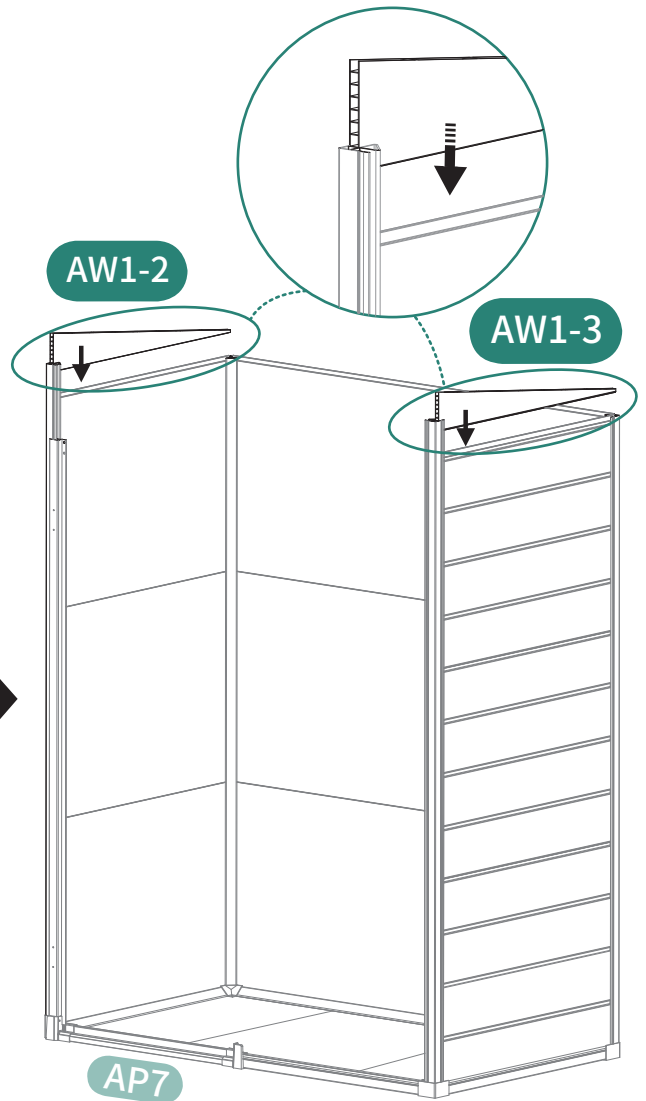
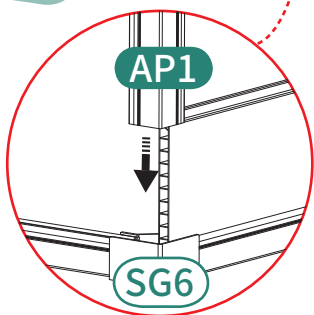
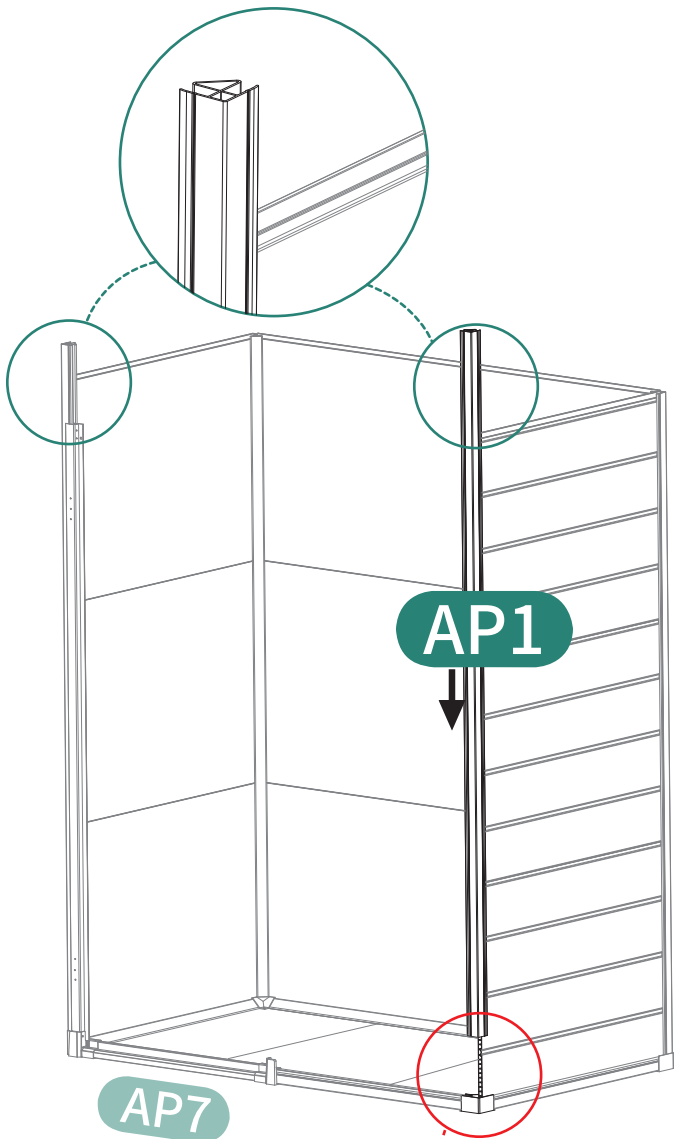
AP1 1pc



AW1-2 1pc

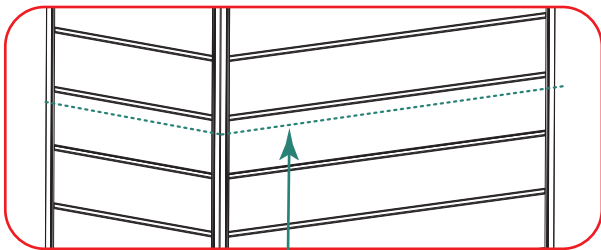
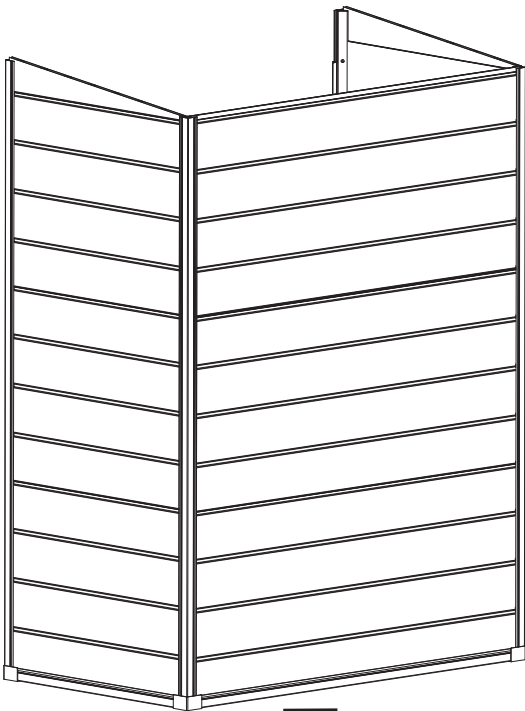


AW1-3 1pc

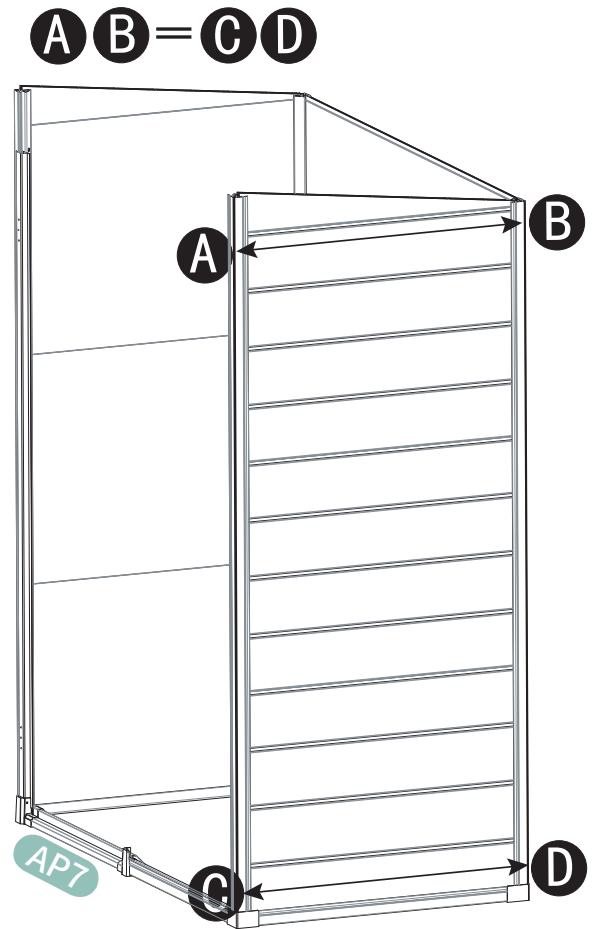


● Fully fit the panel inside the profile

10



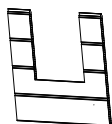
● The panels stripe should be horizontal



11



AW2-1 1pc



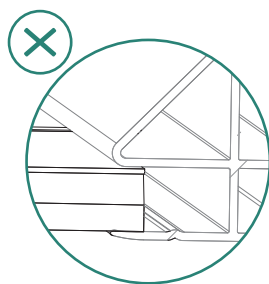
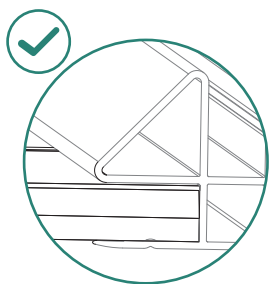
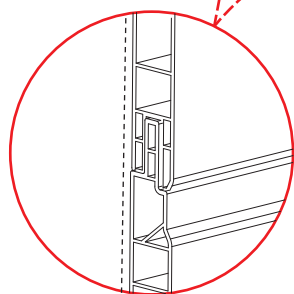
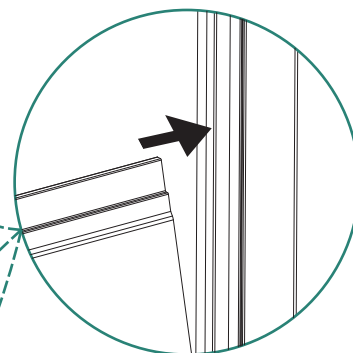
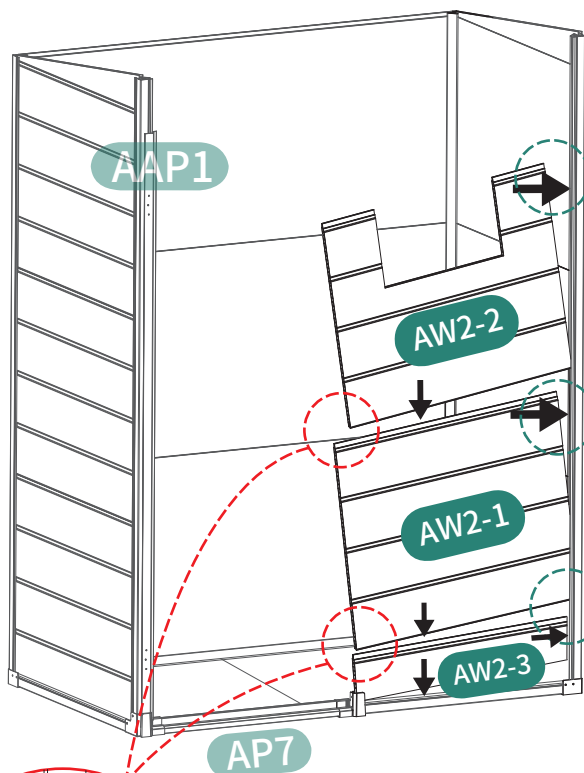
AW2-2 1pc



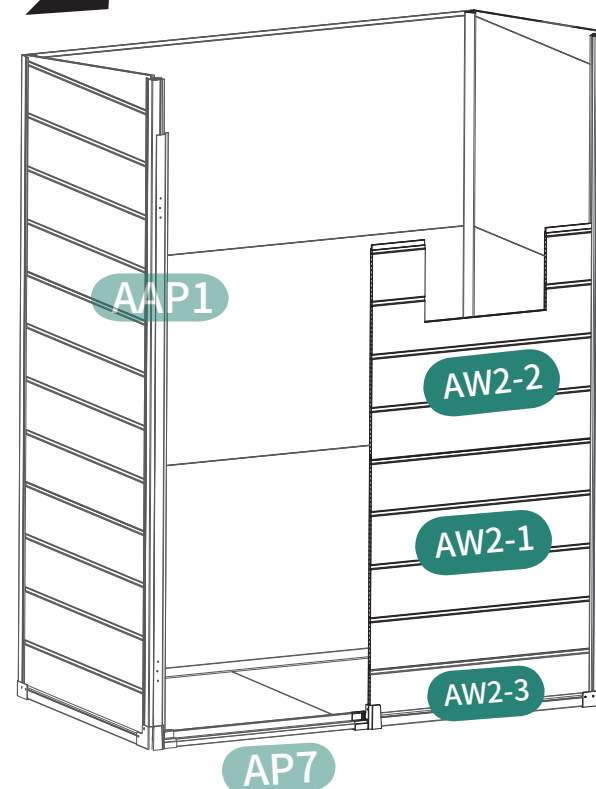
AW2-3 1pc



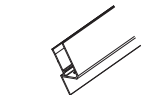
SG8 1pc



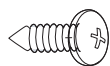
● Fully fit the panel inside the profile



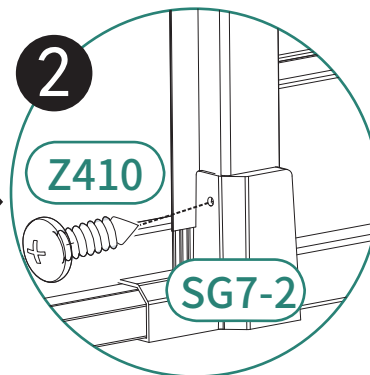
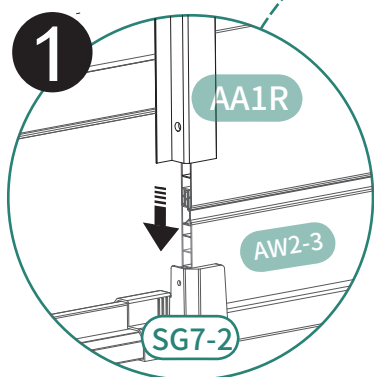
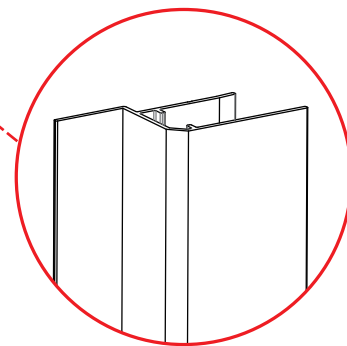
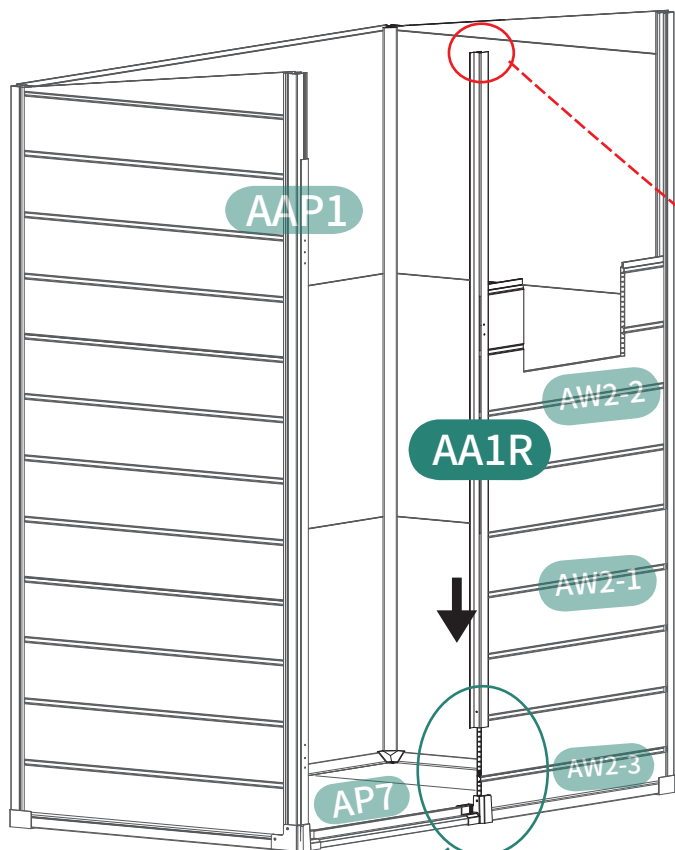
12



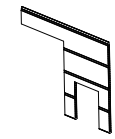
AA1R 1pc



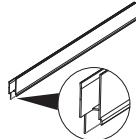
Z410 1pc



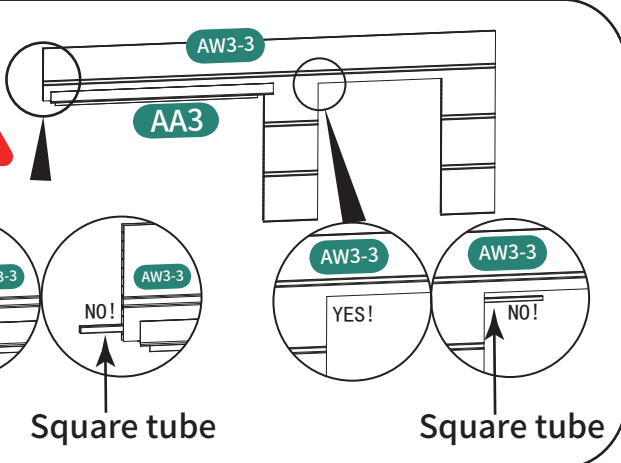
13



AW3-3 1pc

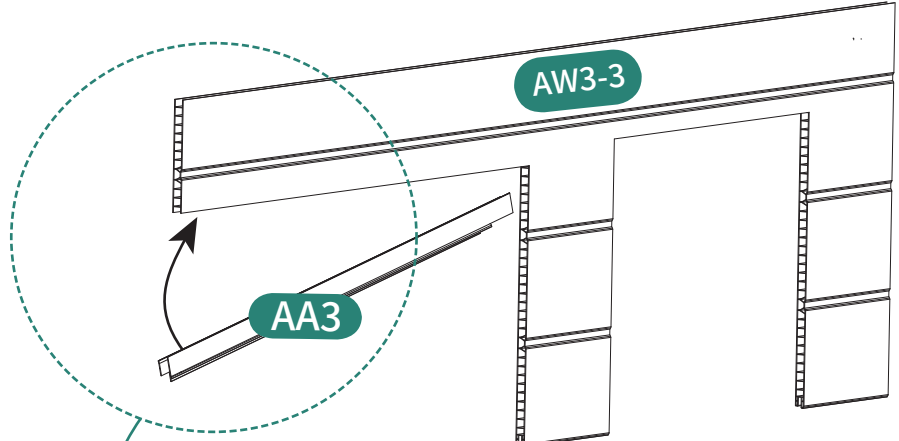


AA3 1pc

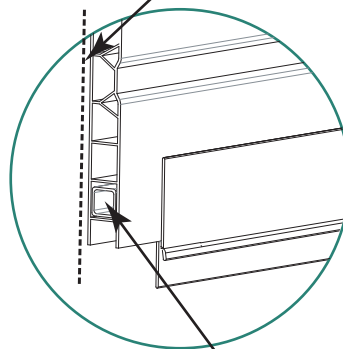
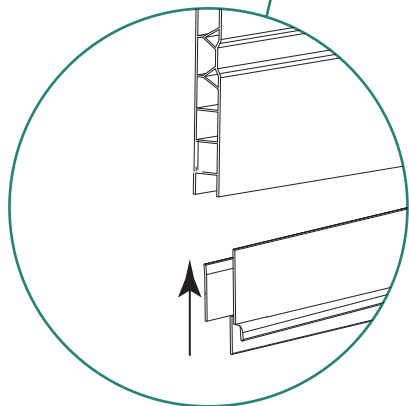


Square tube

Square tube

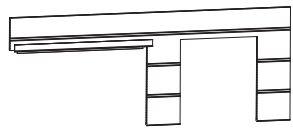


keep aligned

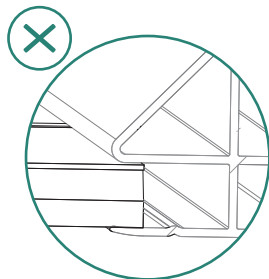
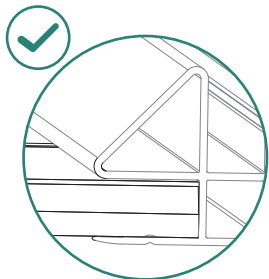
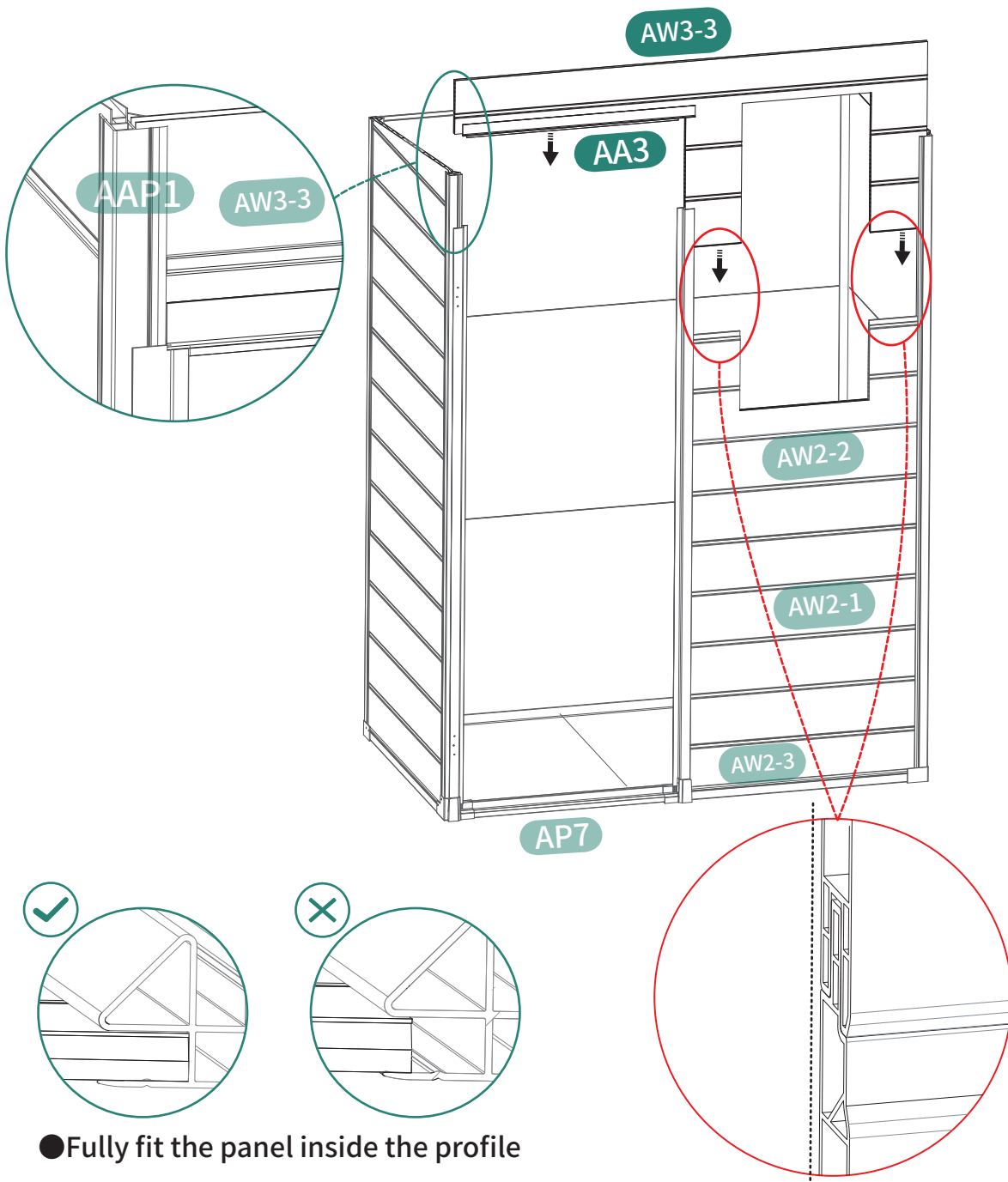


Square tube

14



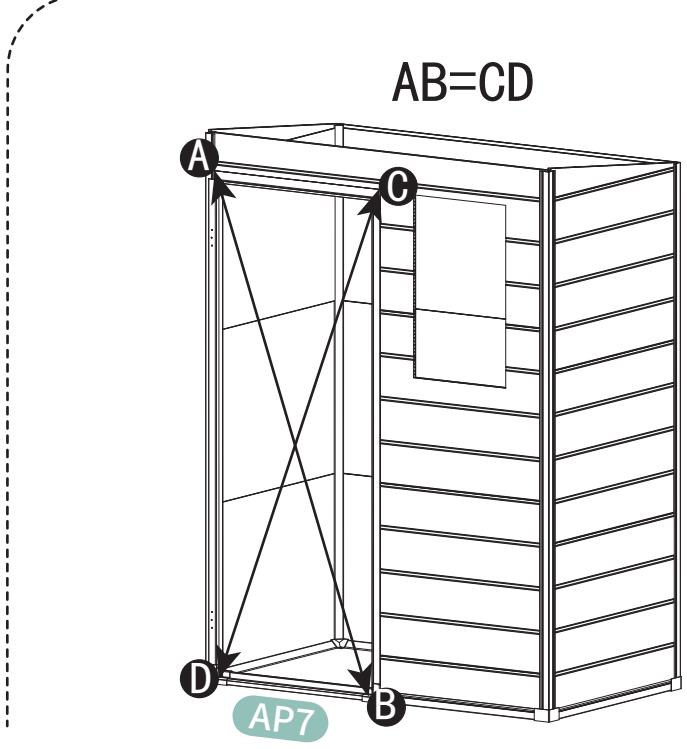
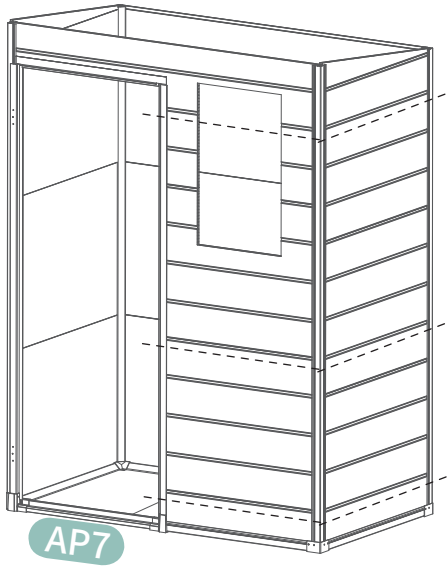
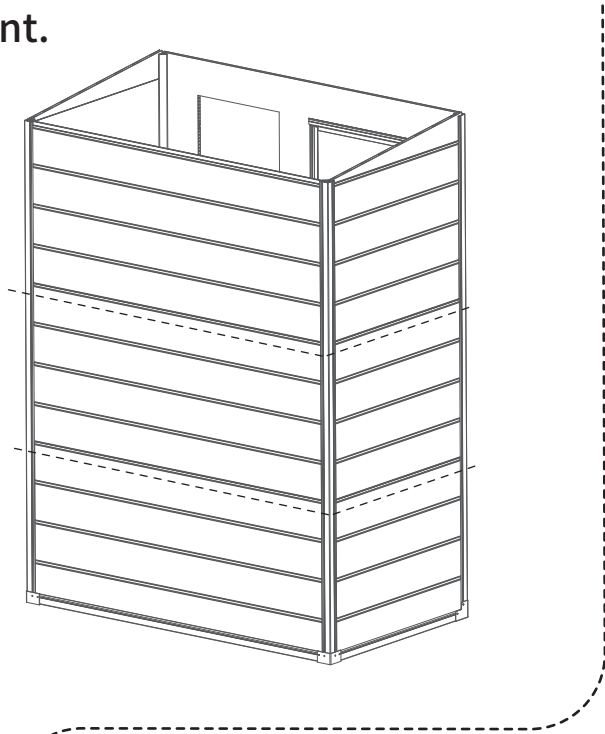
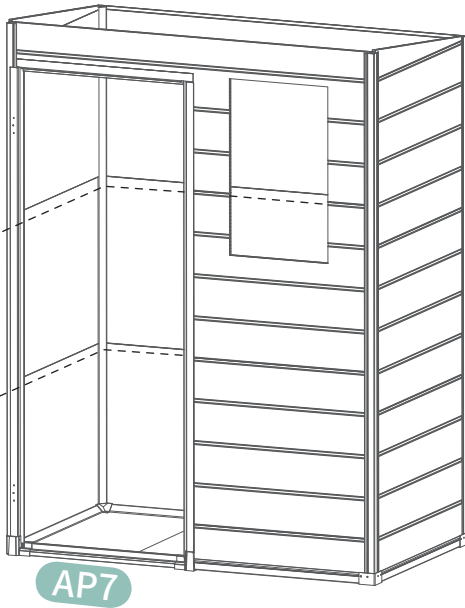
AW3-3 + AA3 1pc




● Fully fit the panel inside the profile

15

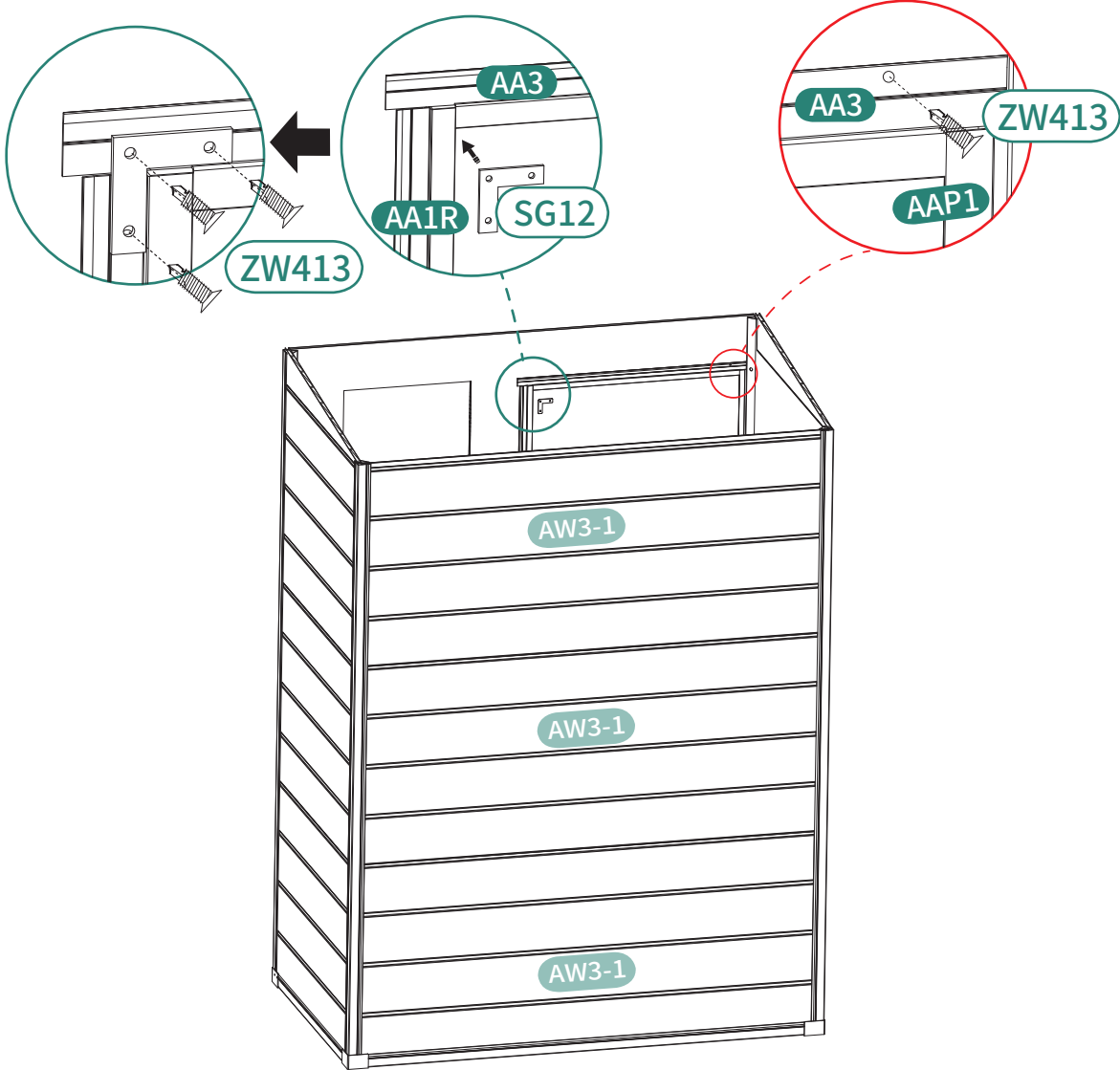
Determine seam alignment.



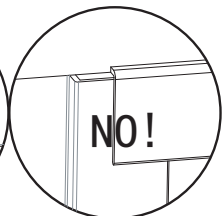
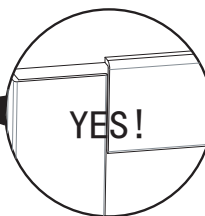
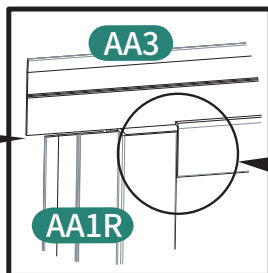
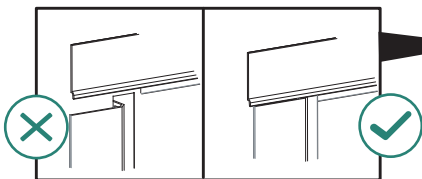
16



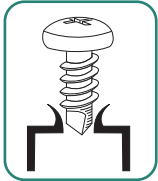
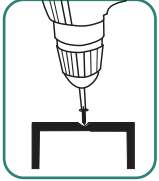
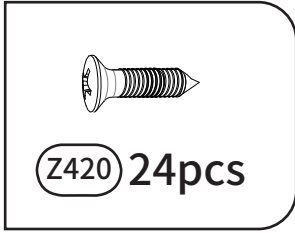
(ZW413) 4pcs (SG12) 1pc



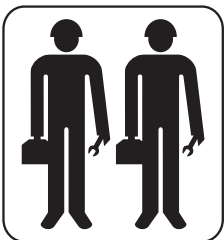
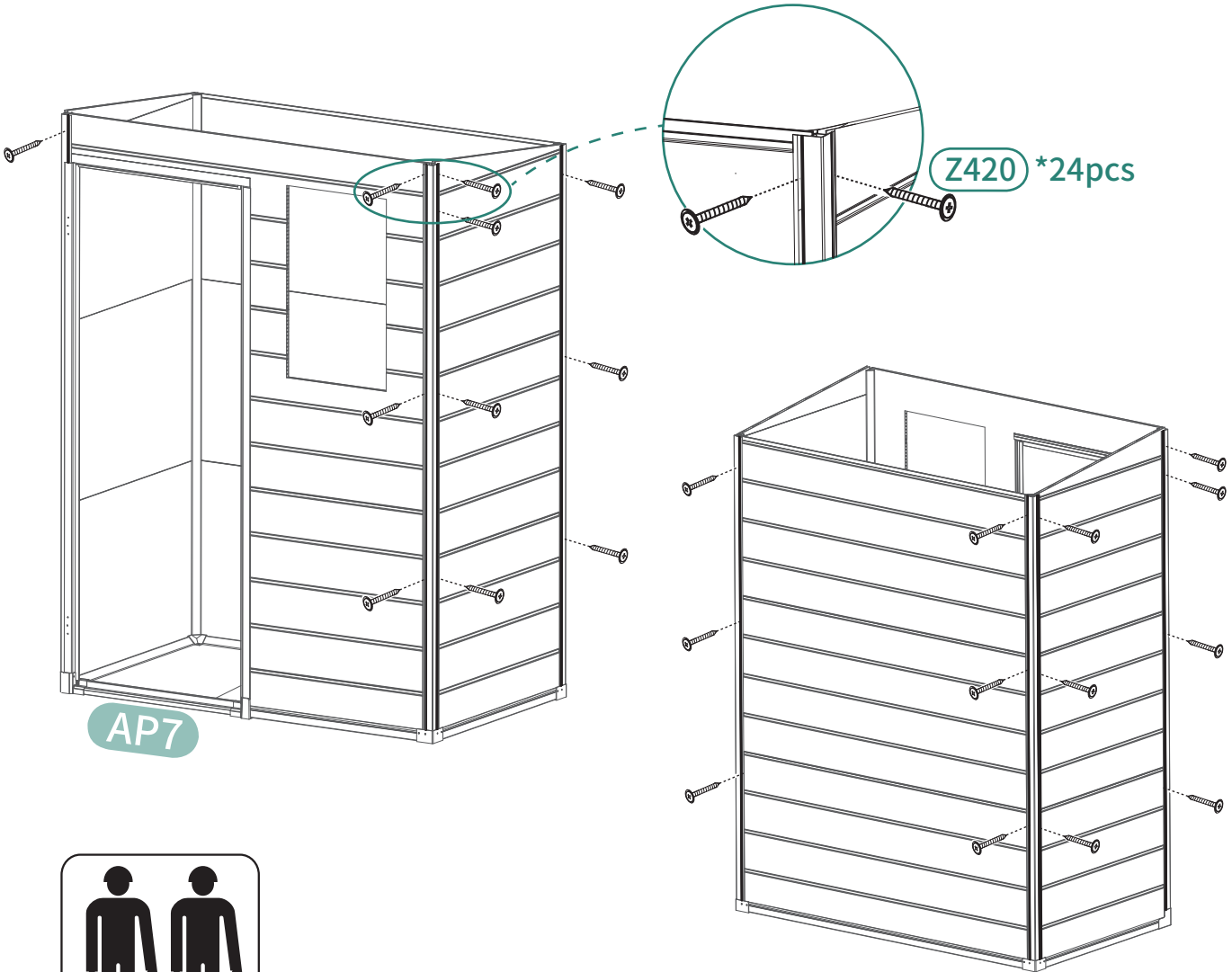
● fixation after aligning!



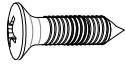
17



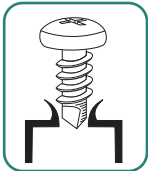
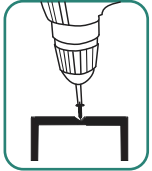
Please use Drill to predrill a hole at depth 1mm before screw.




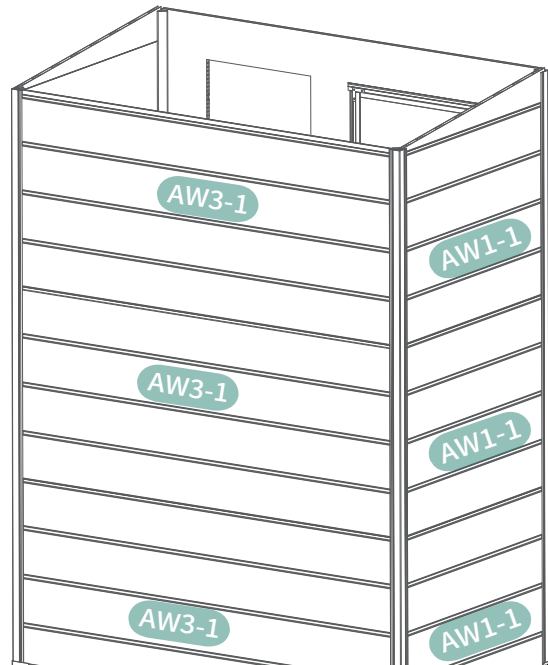
18



Z420 13pcs

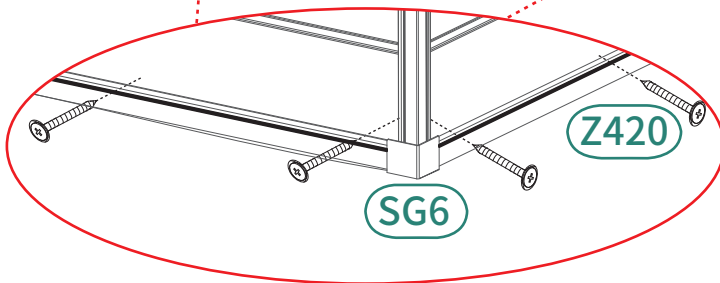
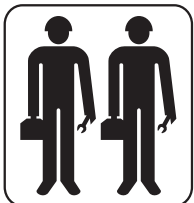


Please use Drill  to predrill a hole at depth 1mm before screw.



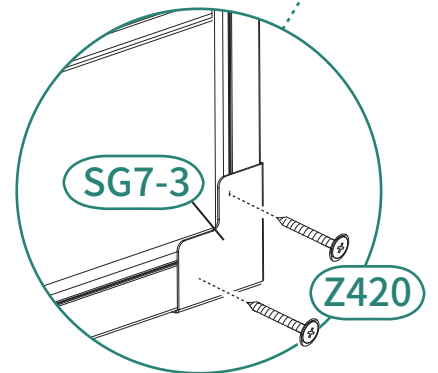
Z420

Z420



Z420

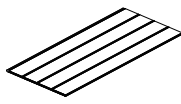
SG6



SG7-3

Z420

19



AR3-1 1pc



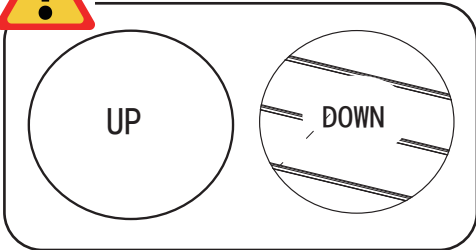
AR3-2 1pc



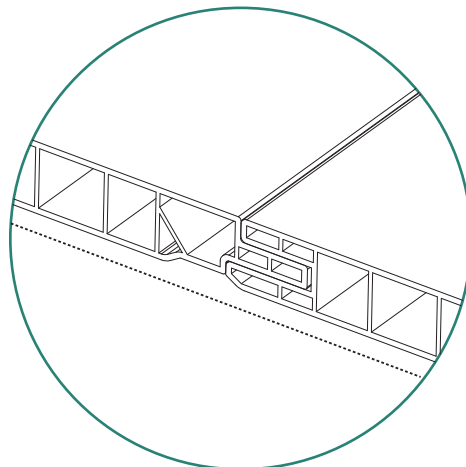
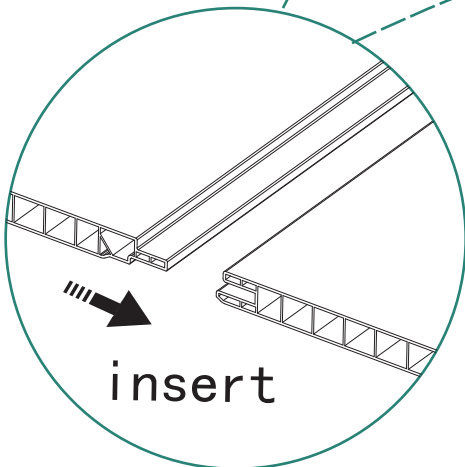
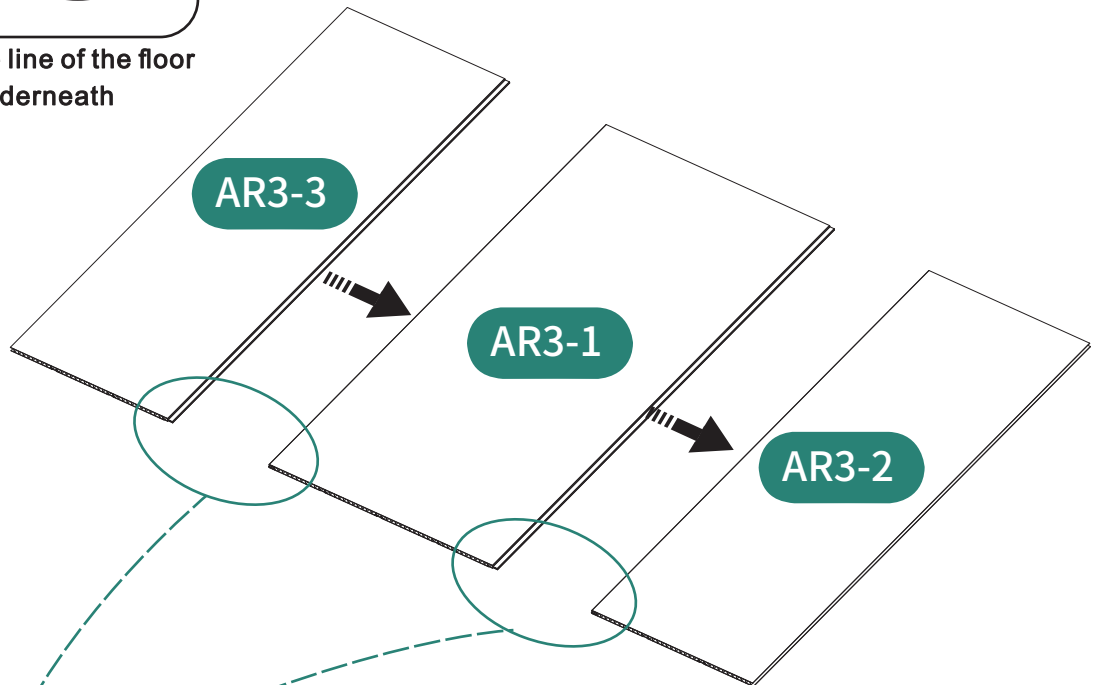
AR3-3 1pc



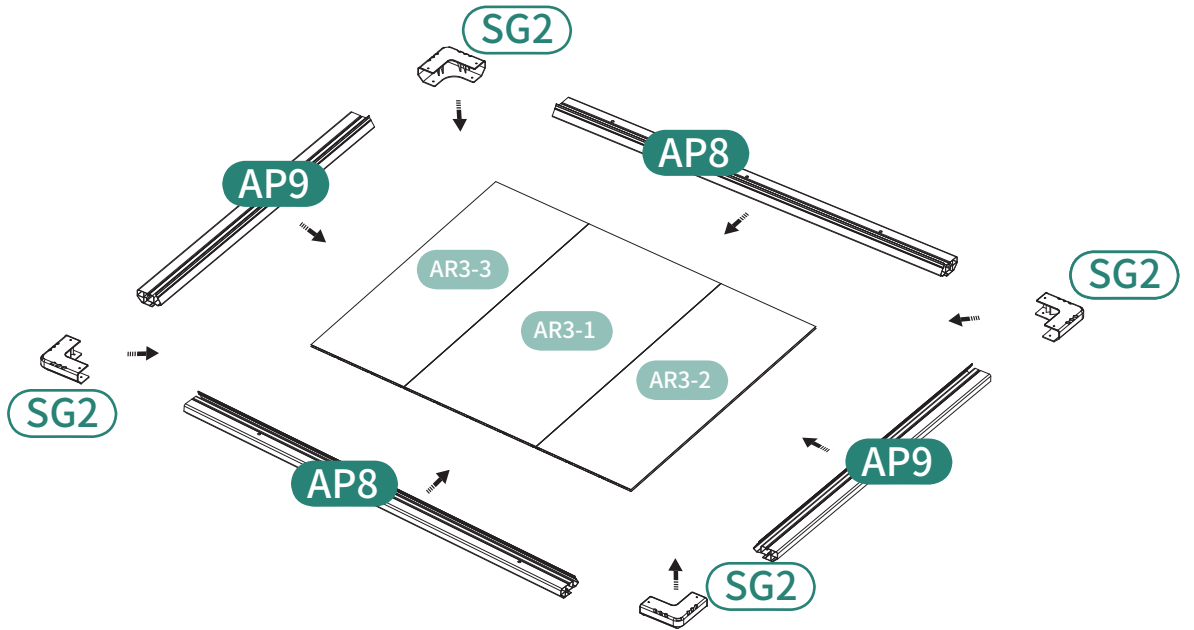
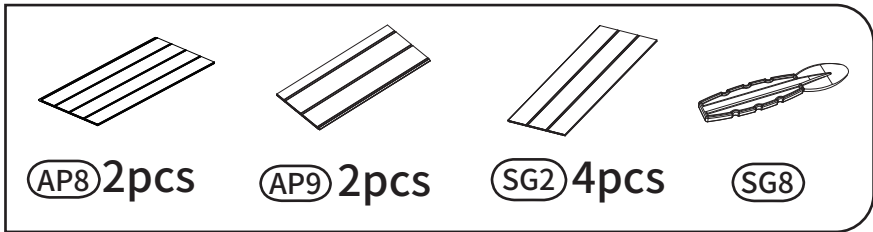
SG8



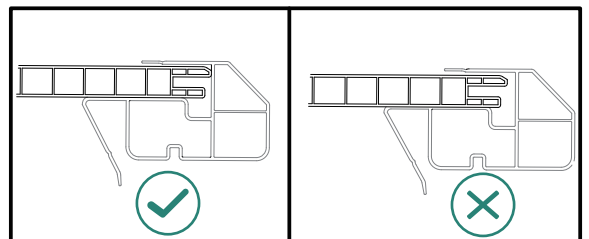
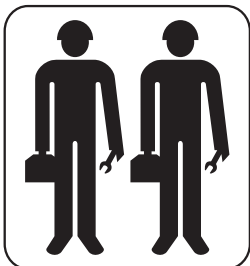
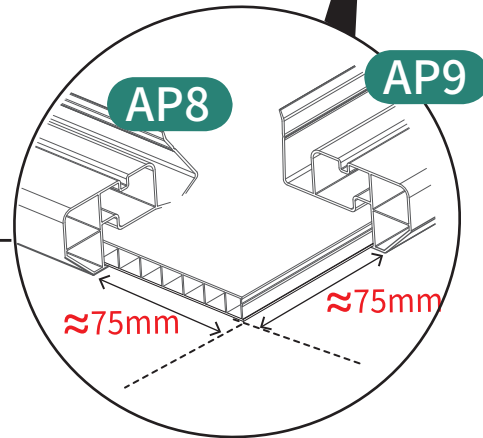
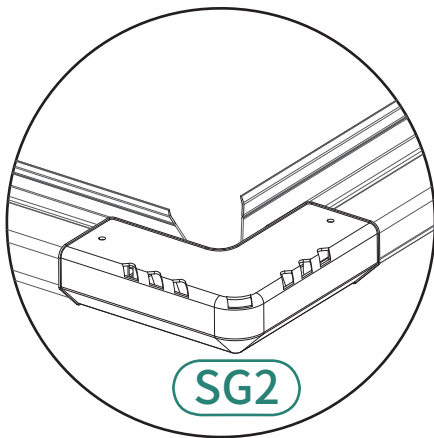
● Note: The crease line of the floor must be underneath



20

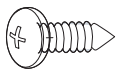


● Please note the measurement dimensions

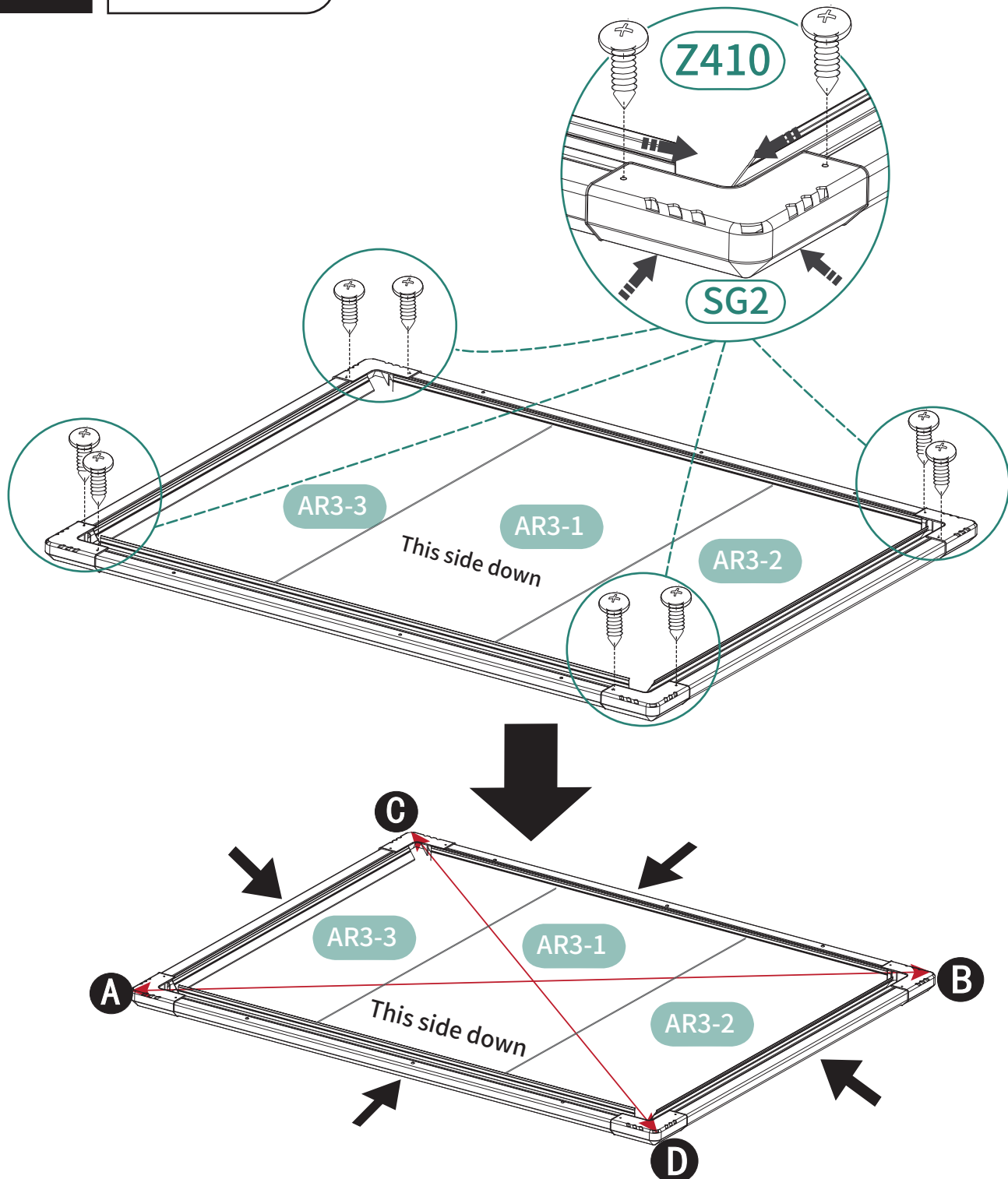


● Fully fit the panel inside the profile

21

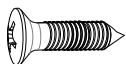


Z410 8pcs

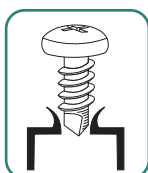
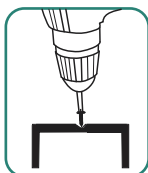


● Ensure AB equal to CD before nailing.

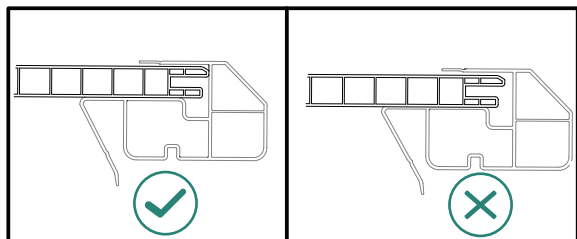
22



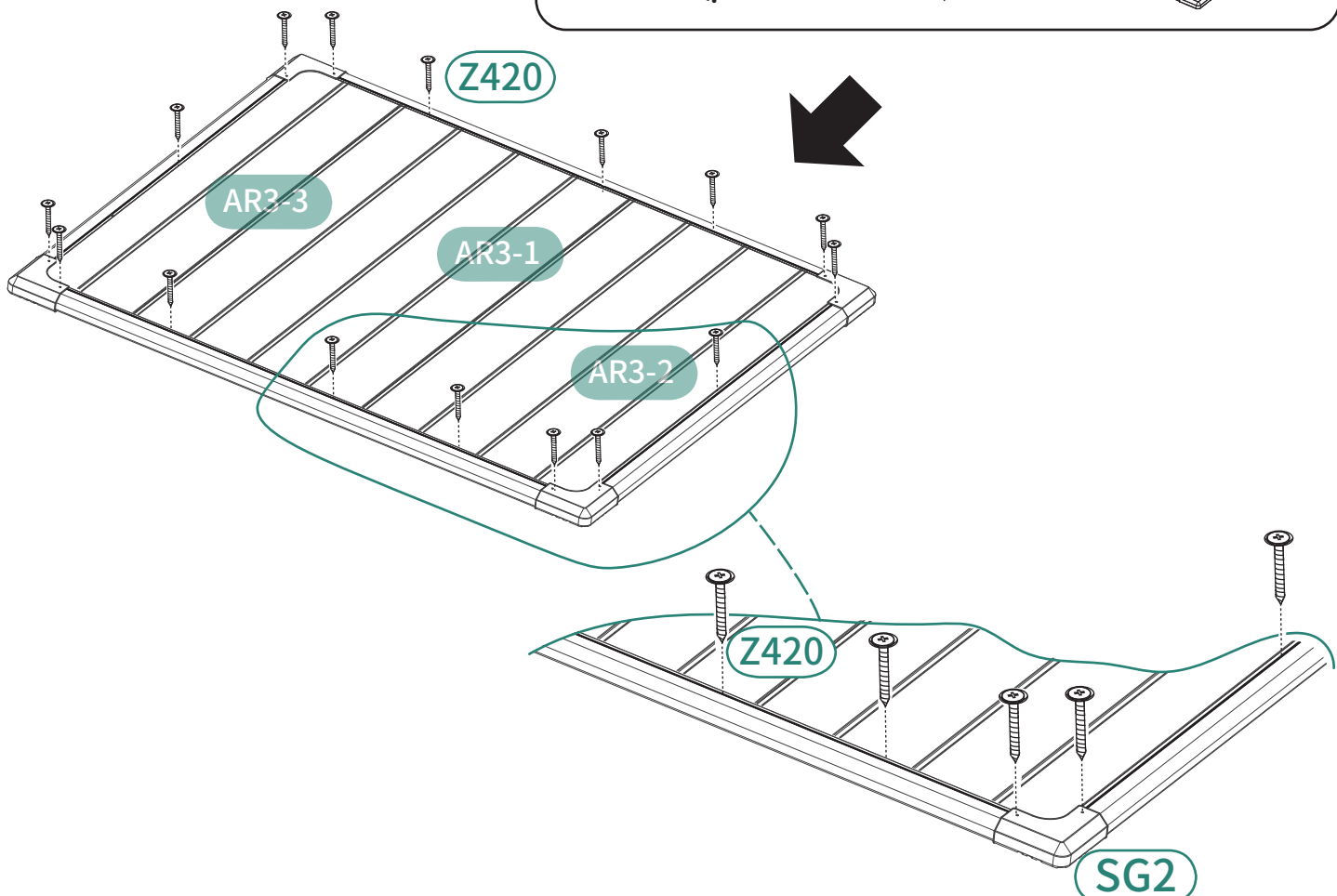
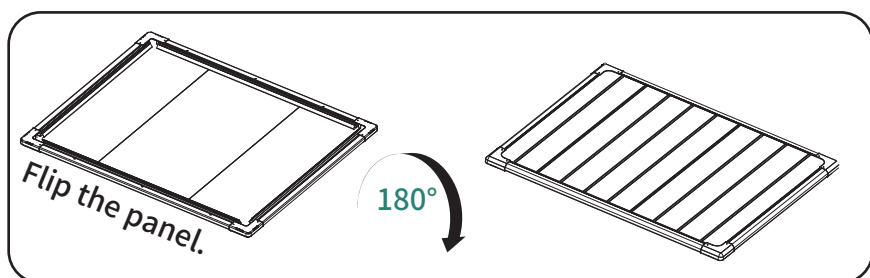
Z420 16pcs



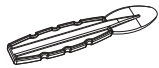
Please use Drill to predrill a hole at depth 1mm before screw.



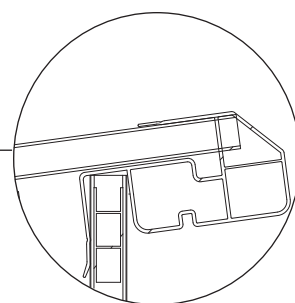
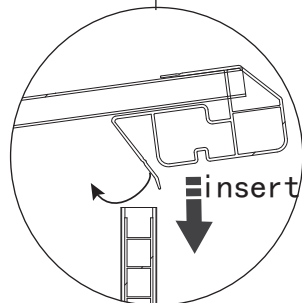
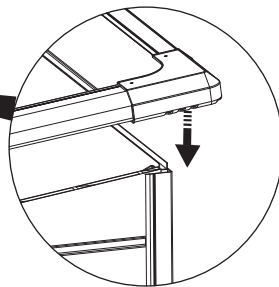
● Fully fit the panel inside the profile



23

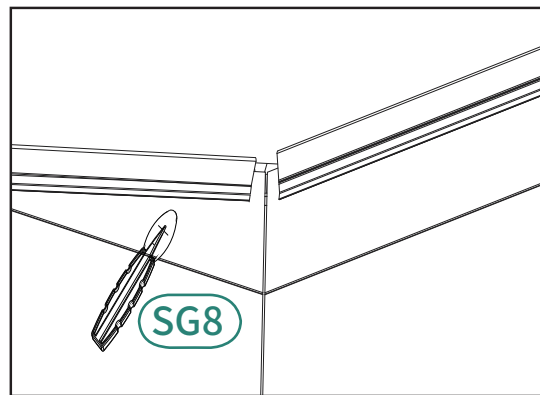
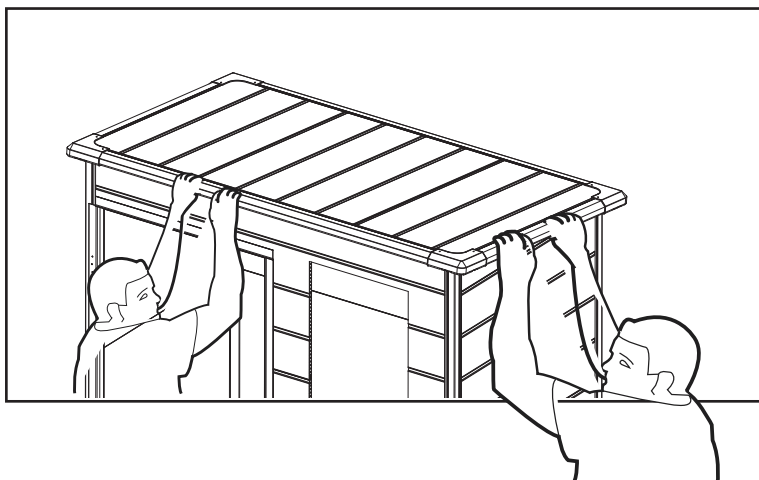


SG8

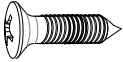


● Fully fit the panel inside the profile

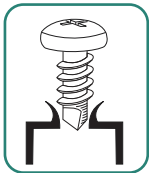
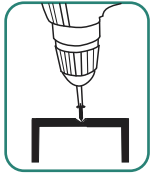
● Ensure fully fit the panels inside the profiles of the roof, using the spatula according to the following picture.



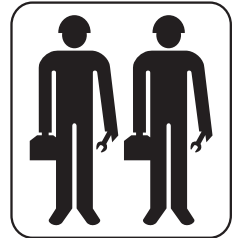
24



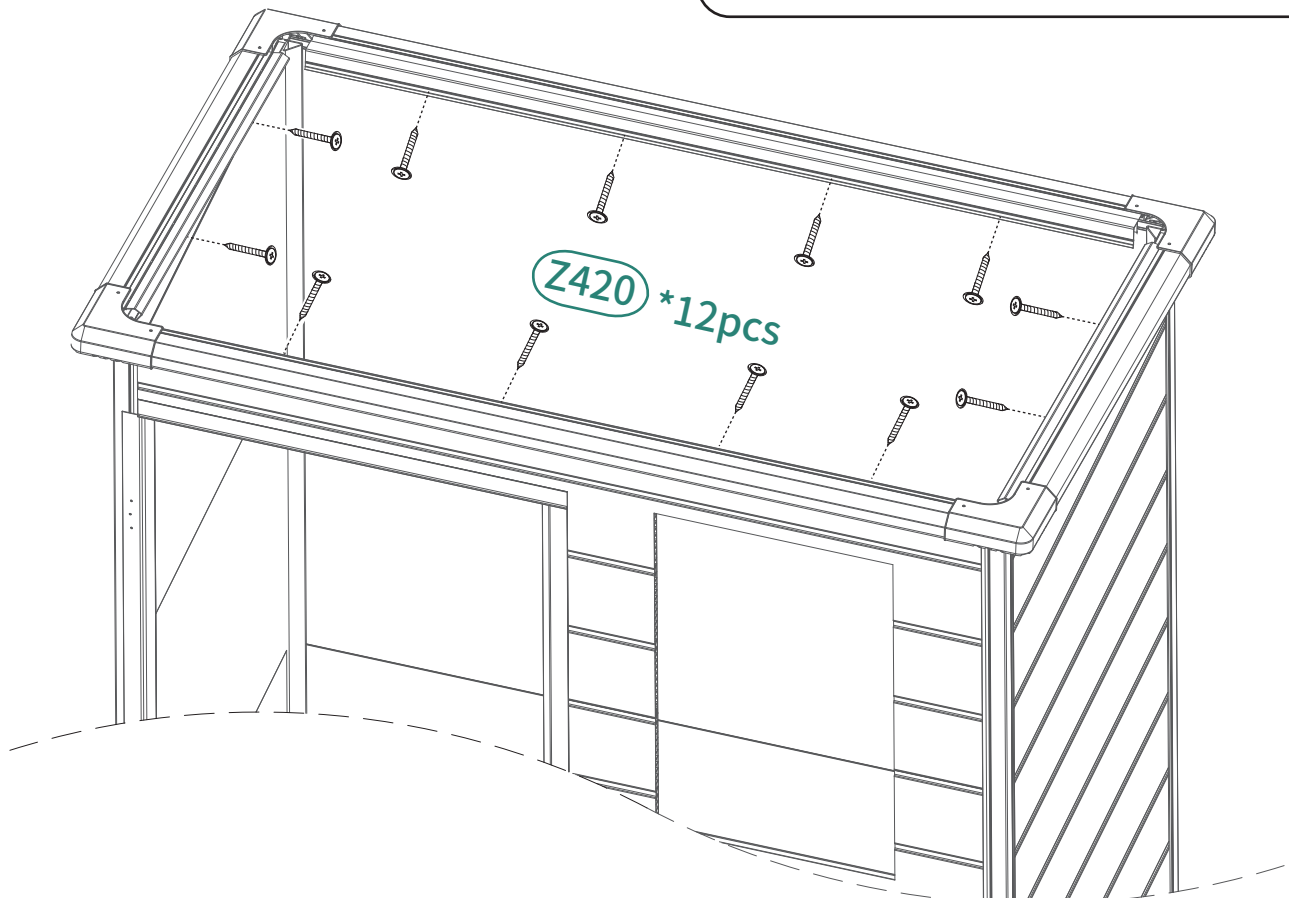
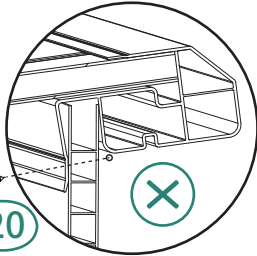
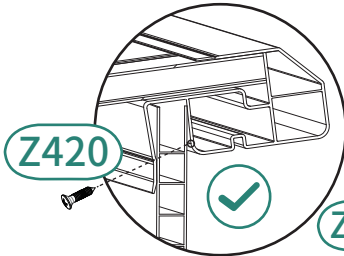
Z420 12pcs



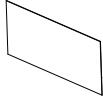
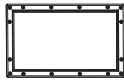
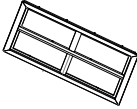

Please use Drill  to predrill a hole at depth 1mm before screw.

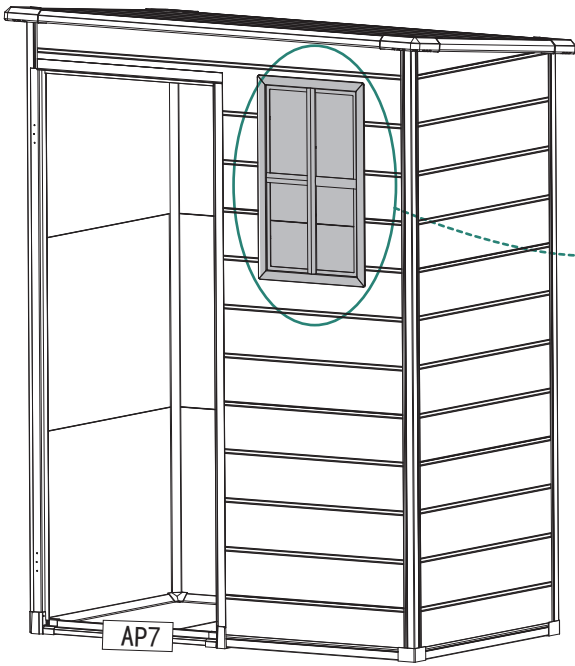


● Please note the nailing direction.



25

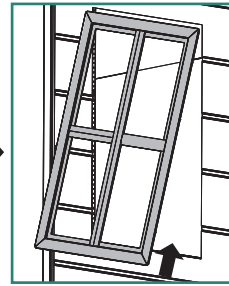
-  (SG101) 1pc
-  (SG102) 1pc
-  (SG10) 1pc
-  (Z410) 16pcs



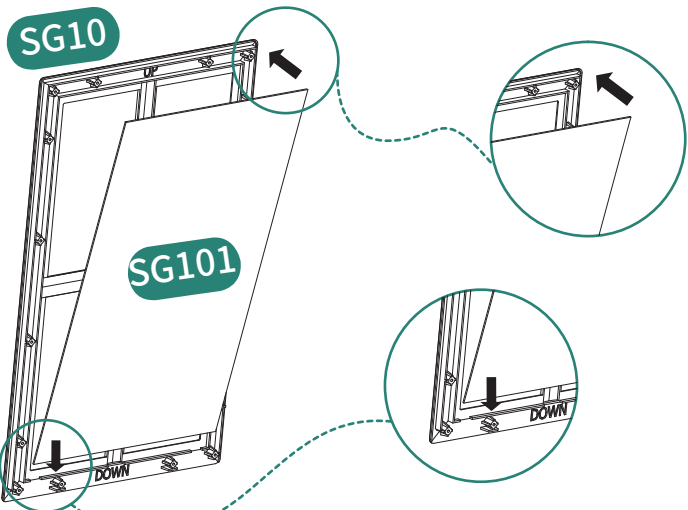
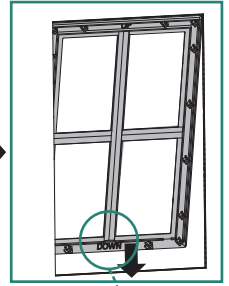
outside



outside



inside

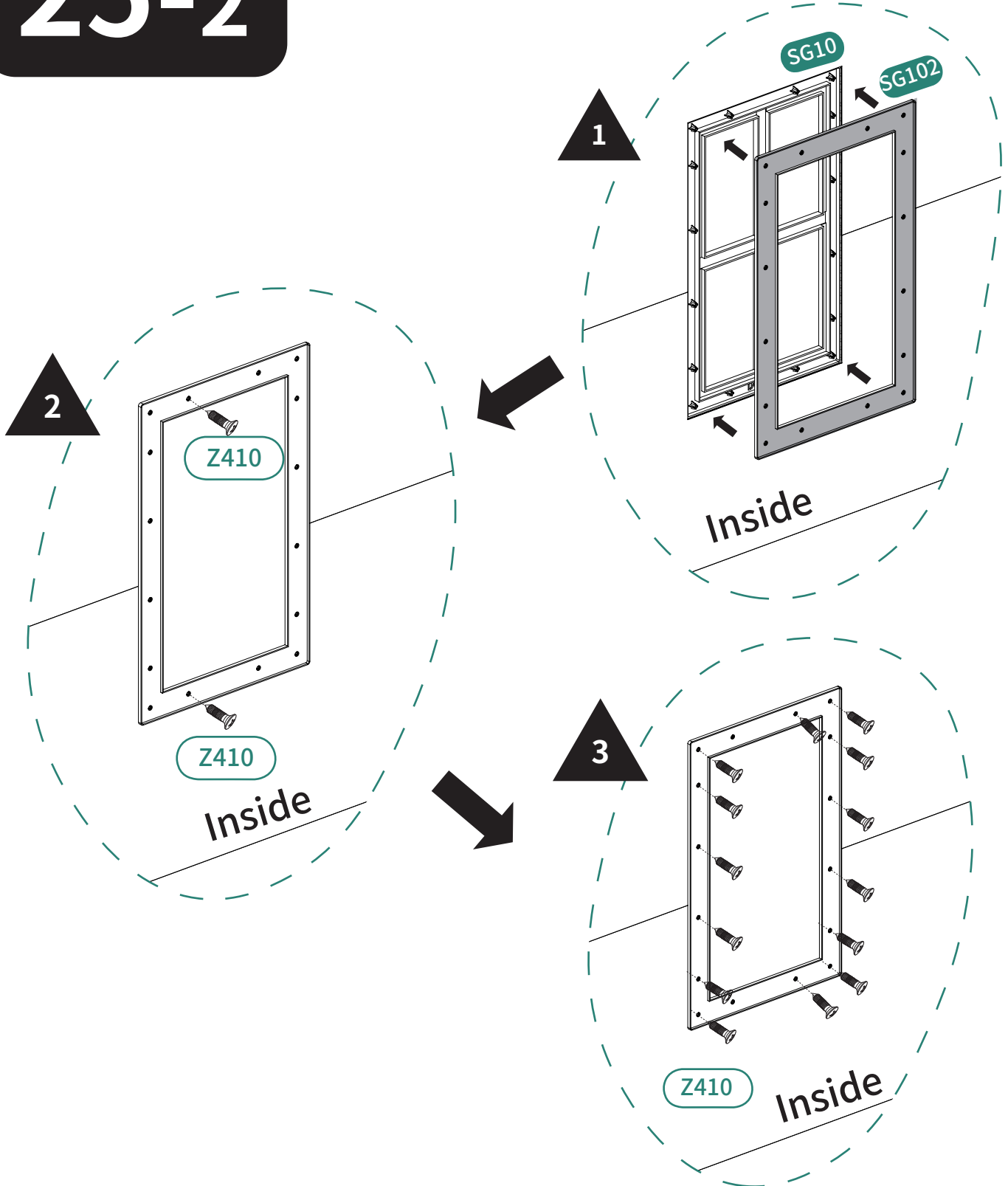


● Remove the film before fixing SG101

● Two persons are needed for this step, to press SG10 from outside and inside.



25-2



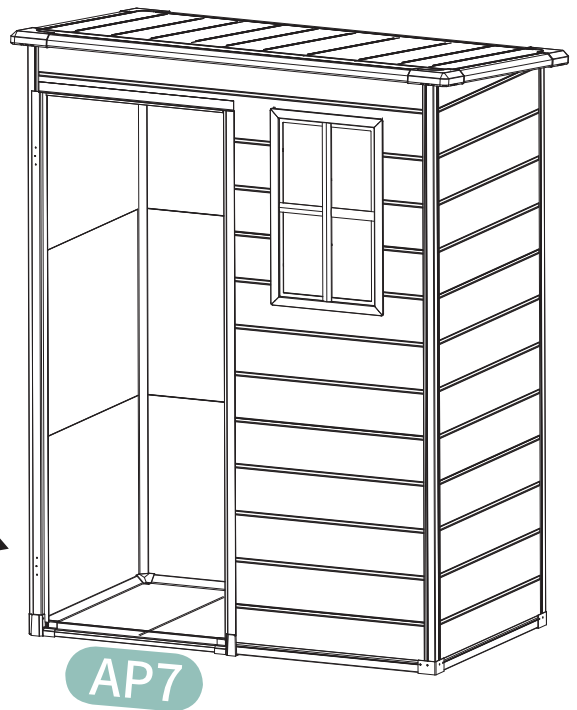
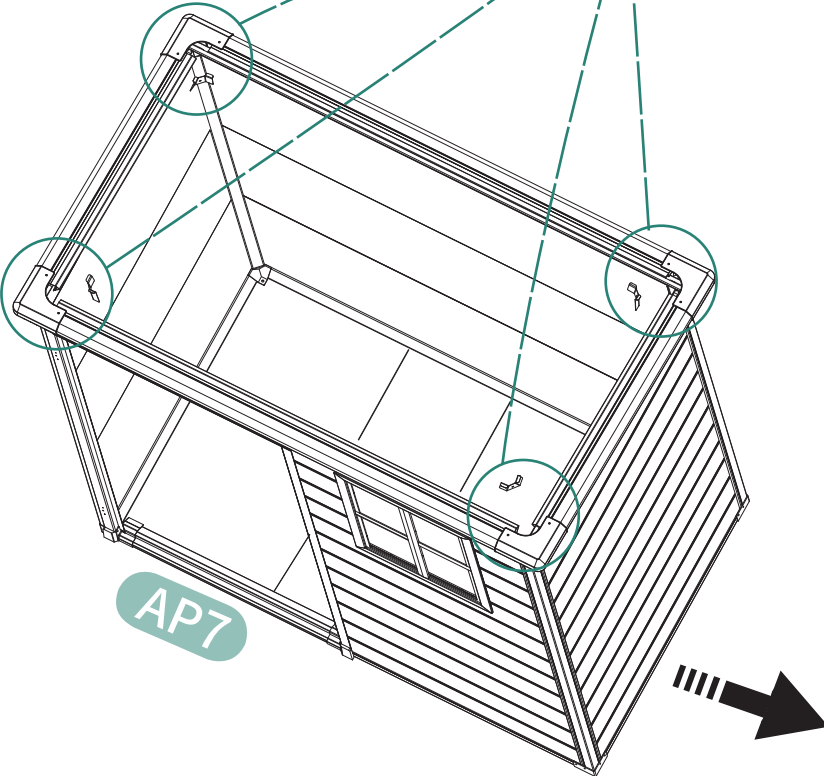
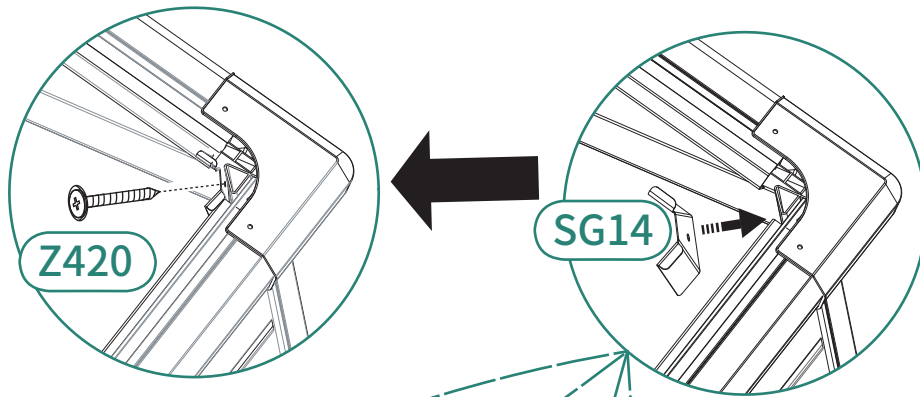
26



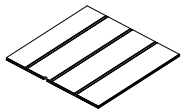
SG14 4pcs



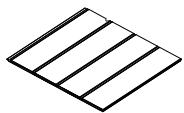
Z420 4pcs



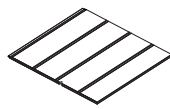
27



AD1-1 1pc



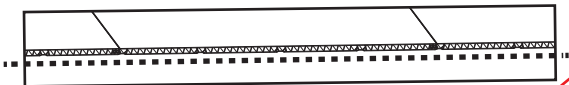
AD1-2 1pc



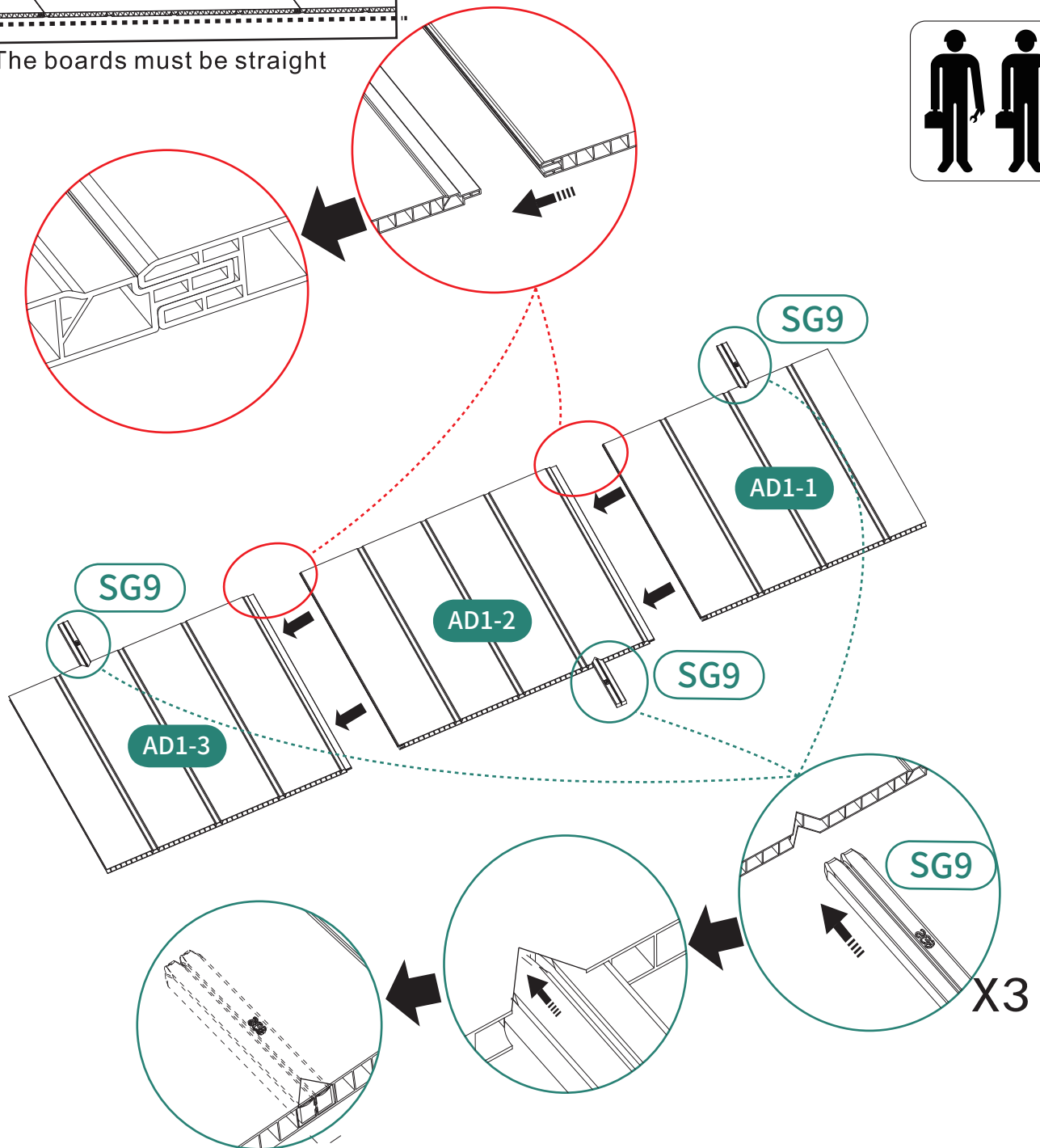
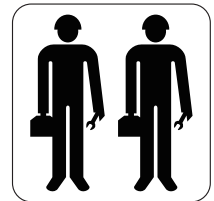
AD1-3 1pc





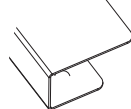
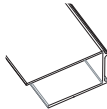
SG9 3pcs

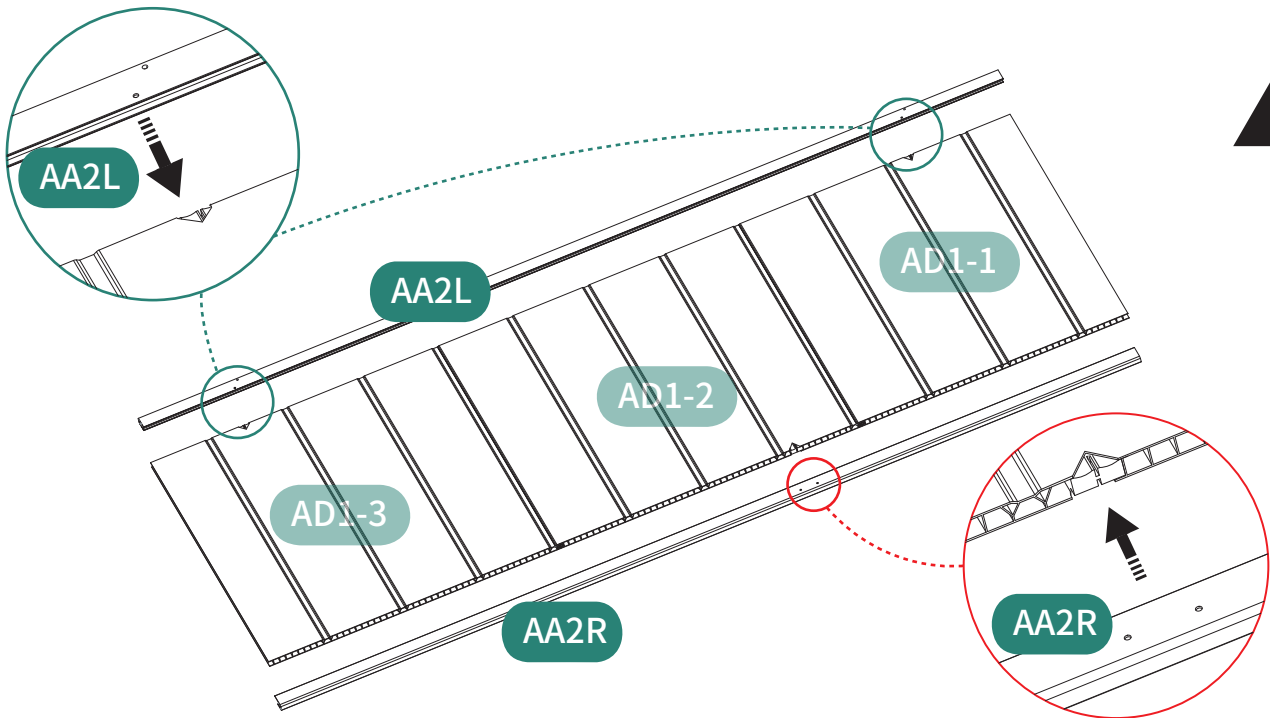


The boards must be straight

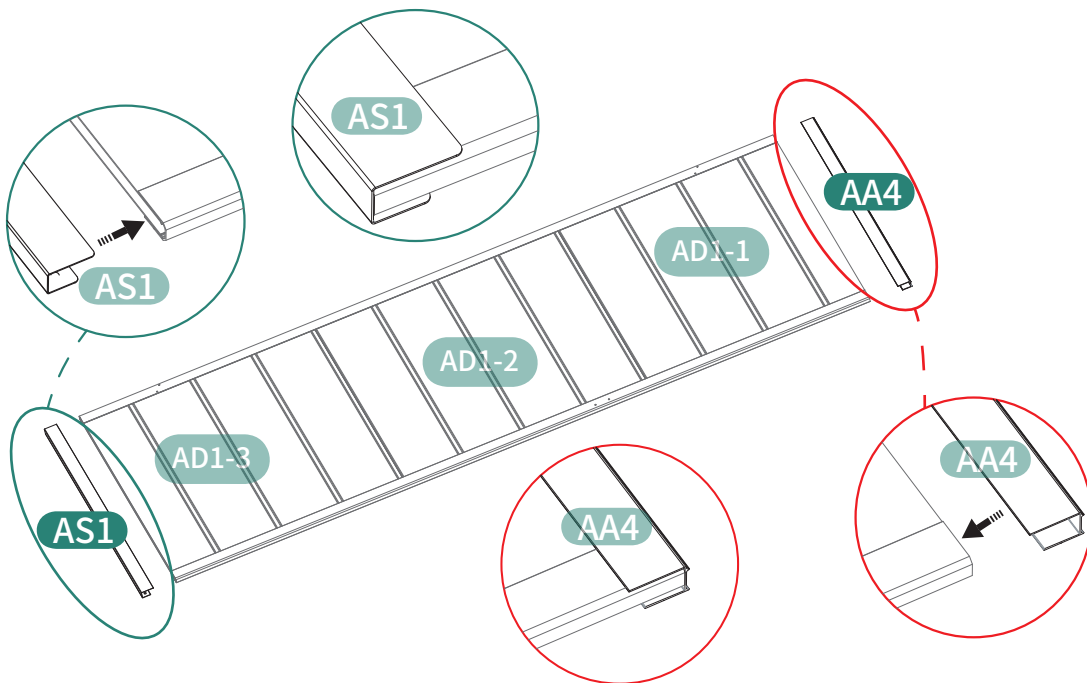


28

-  AA2L 1pc
-  AA2R 1pc
-  AS1 1pc
-  AA4 3pcs



1

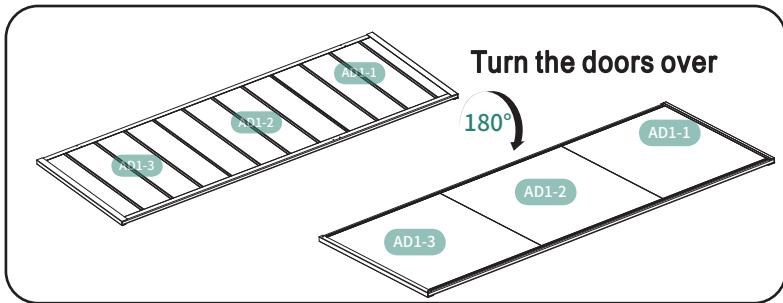


2

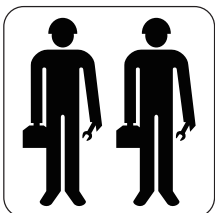
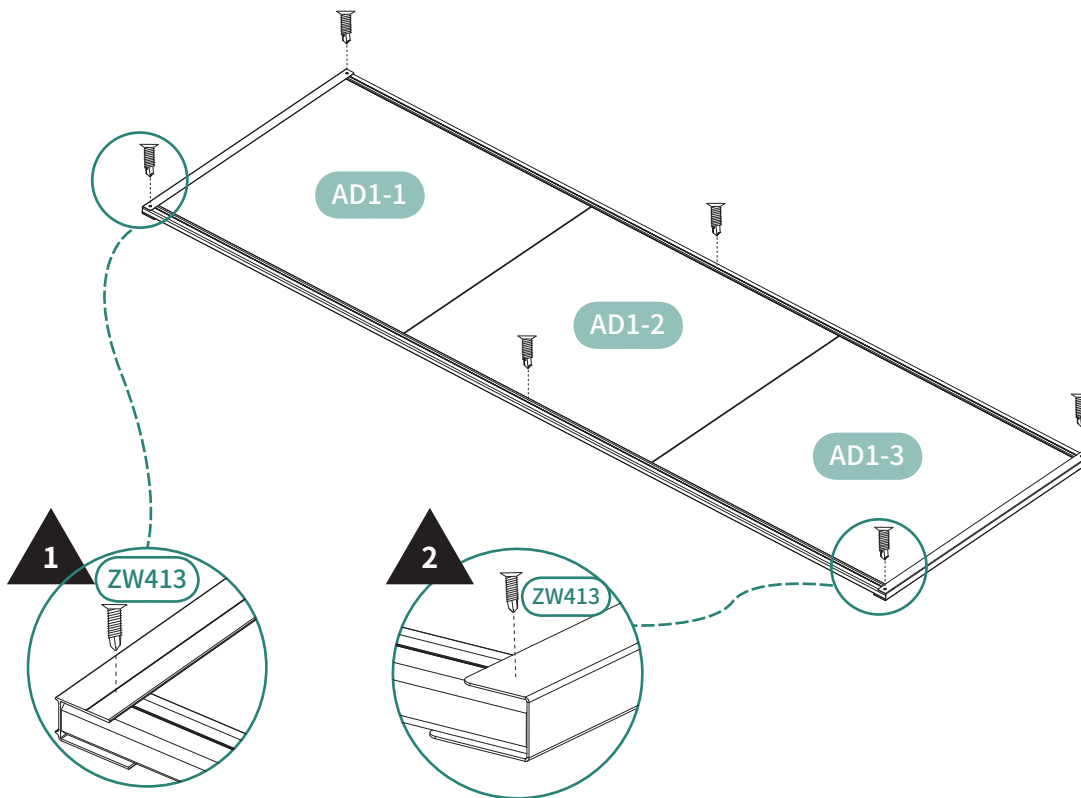
29



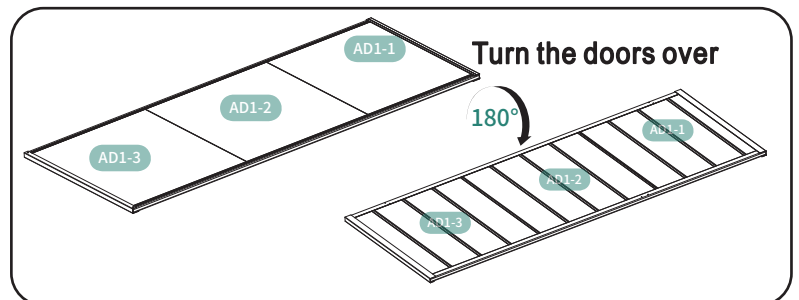
ZW413 6pcs



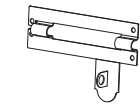
before



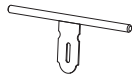
after



30



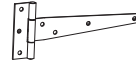
M03-6R 1pc



M03-7 1pc

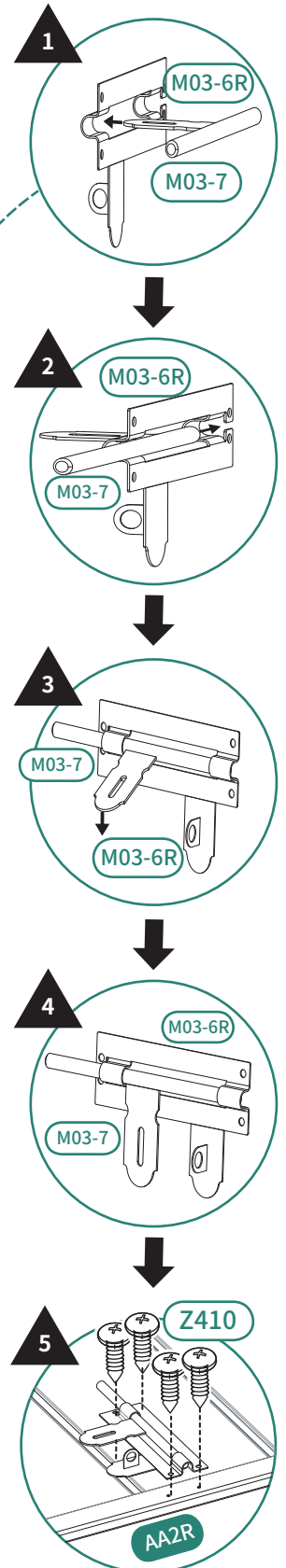
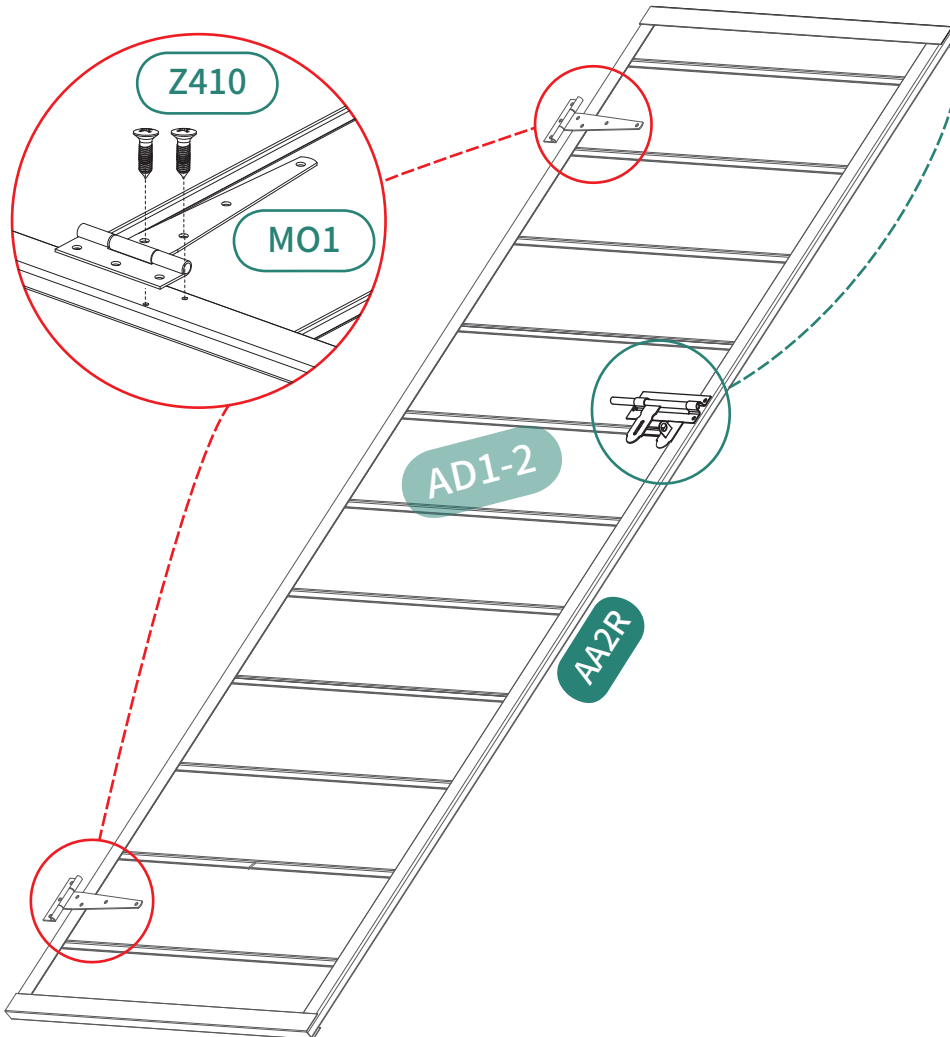


Z410 8pcs



M01 2pcs

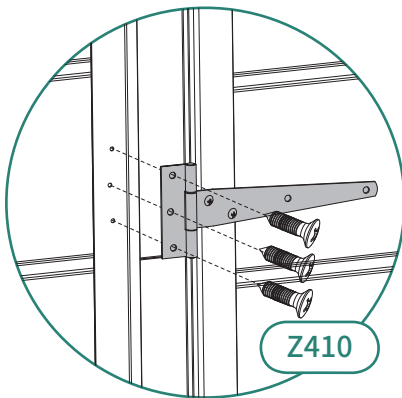
Don't fasten the screws in this step, to adjust the position of doors.



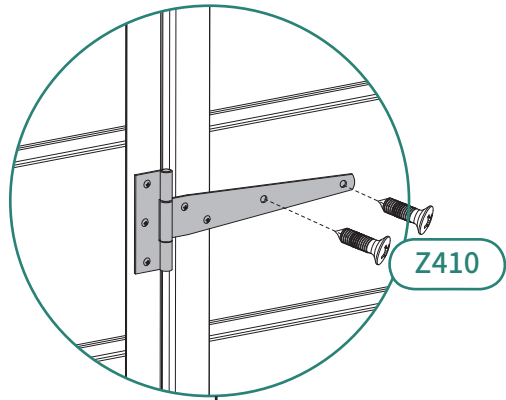
31



Z410 10pcs

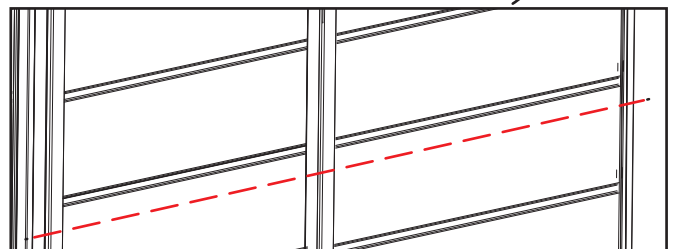
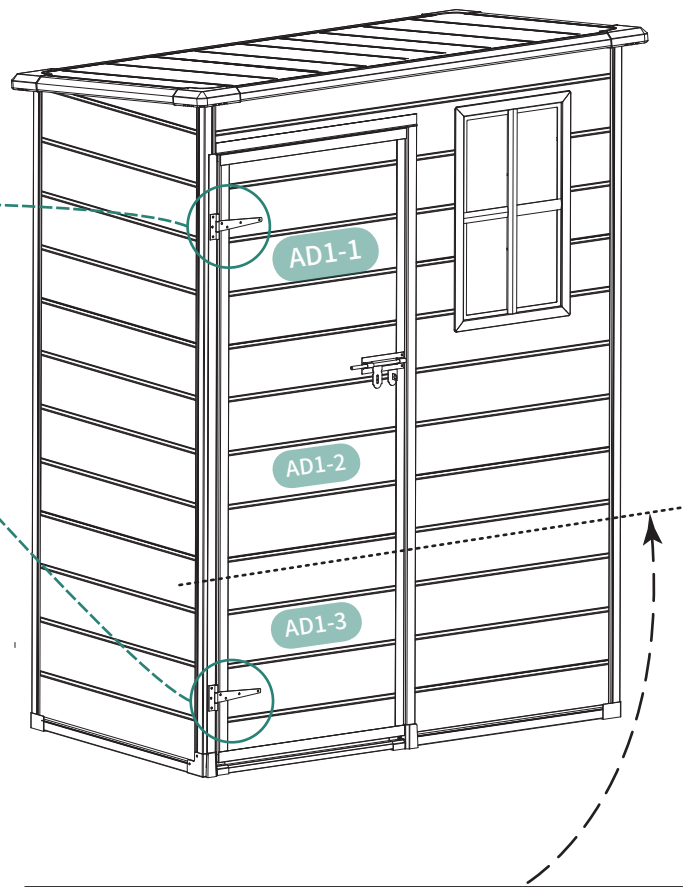
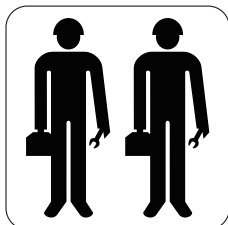


Z410



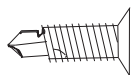
Z410

Nail the door after place adjustment and fasten all the screws.



● Grain of the door panels should align with that of the wall panels.

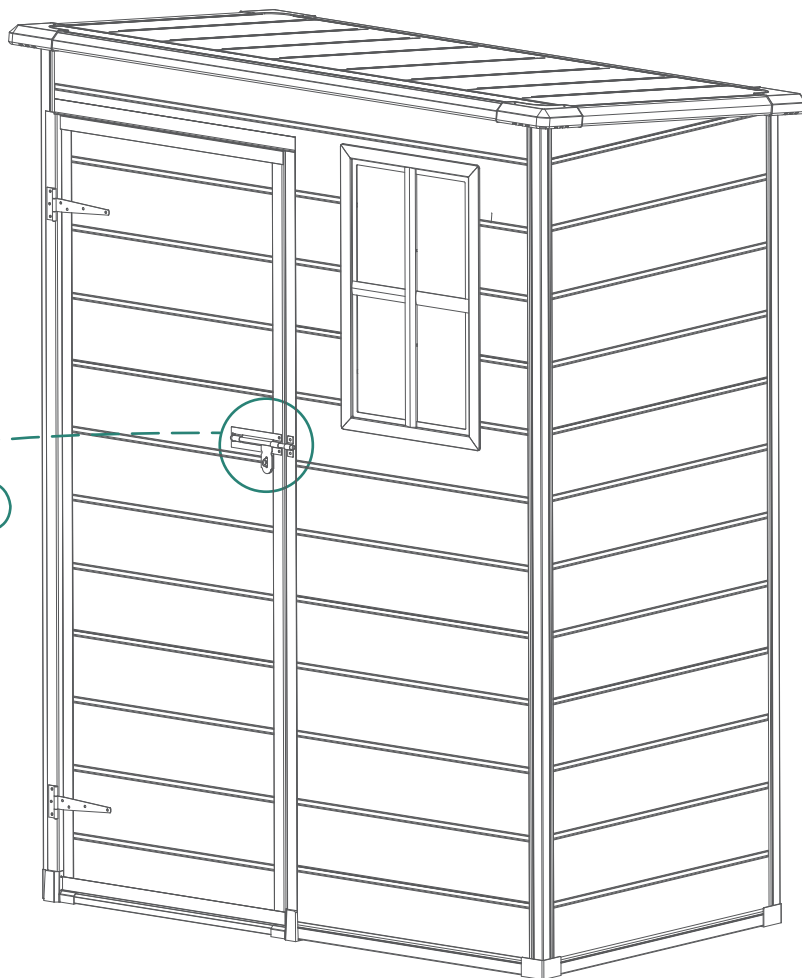
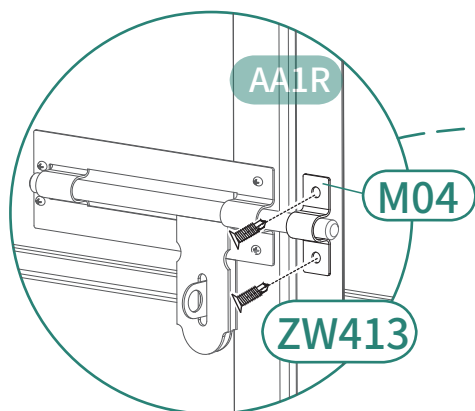
32



ZW413 2 pcs



M04 1 pc



Installation Completed

Installation Abgeschlossen

Installation Complétée

Installazione Completata

Instalación Completada

HELP CENTER



Inquiry



Assembly issue



Missing parts



Returns&Refunds

If you encounter any difficulties during assembly, please contact us.

Wenn Sie während der Montage auf Schwierigkeiten stoßen, kontaktieren Sie uns bitte.

Si vous rencontrez des difficultés lors du montage, veuillez nous contacter.

Se incontri difficoltà durante il montaggio, ti preghiamo di contattarci.

Si encuentras alguna dificultad durante el ensamblaje, por favor contáctanos.

DISCLAIMER

Manufacturer and seller expressly disclaim any and all liability for personal injury, property damage or loss, whether direct, indirect, or incidental, resulting from the incorrect attachment, improper use, inadequate maintenance, unapproved modification, or neglect of this product.

Der Hersteller und Verkäufer lehnen ausdrücklich jegliche Haftung für Personenschäden, Sachschäden oder Verluste ab, egal ob direkt, indirekt oder zufällig, die durch falsche Anbringung, unsachgemäßen Gebrauch, unzureichende Wartung, nicht genehmigte Änderungen oder Vernachlässigung dieses Produkts entstehen.

El fabricante y vendedor renuncian expresamente a toda responsabilidad por lesiones personales, daños materiales o pérdidas, ya sean directos, indirectos o incidentales, derivados de la incorrecta colocación, uso inadecuado, mantenimiento insuficiente, modificación no aprobada o negligencia de este producto.

Il produttore e il venditore declinano espressamente ogni responsabilità per lesioni personali, danni materiali o perdite, dirette, indirette o incidentali, derivanti dall'errato fissaggio, uso improprio, manutenzione inadeguata, modifica non autorizzata o negligenza di questo prodotto.

Le fabricant et le vendeur déclinent expressément toute responsabilité en cas de blessures corporelles, de dommages matériels ou de pertes, qu'ils soient directs, indirects ou accessoires, résultant de la fixation incorrecte, de l'utilisation inappropriée, de l'entretien insuffisant, de la modification non approuvée ou de la négligence de ce produit.