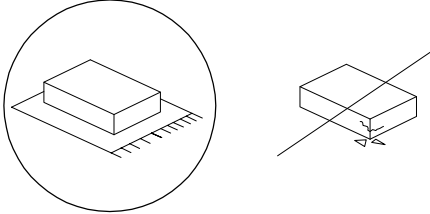


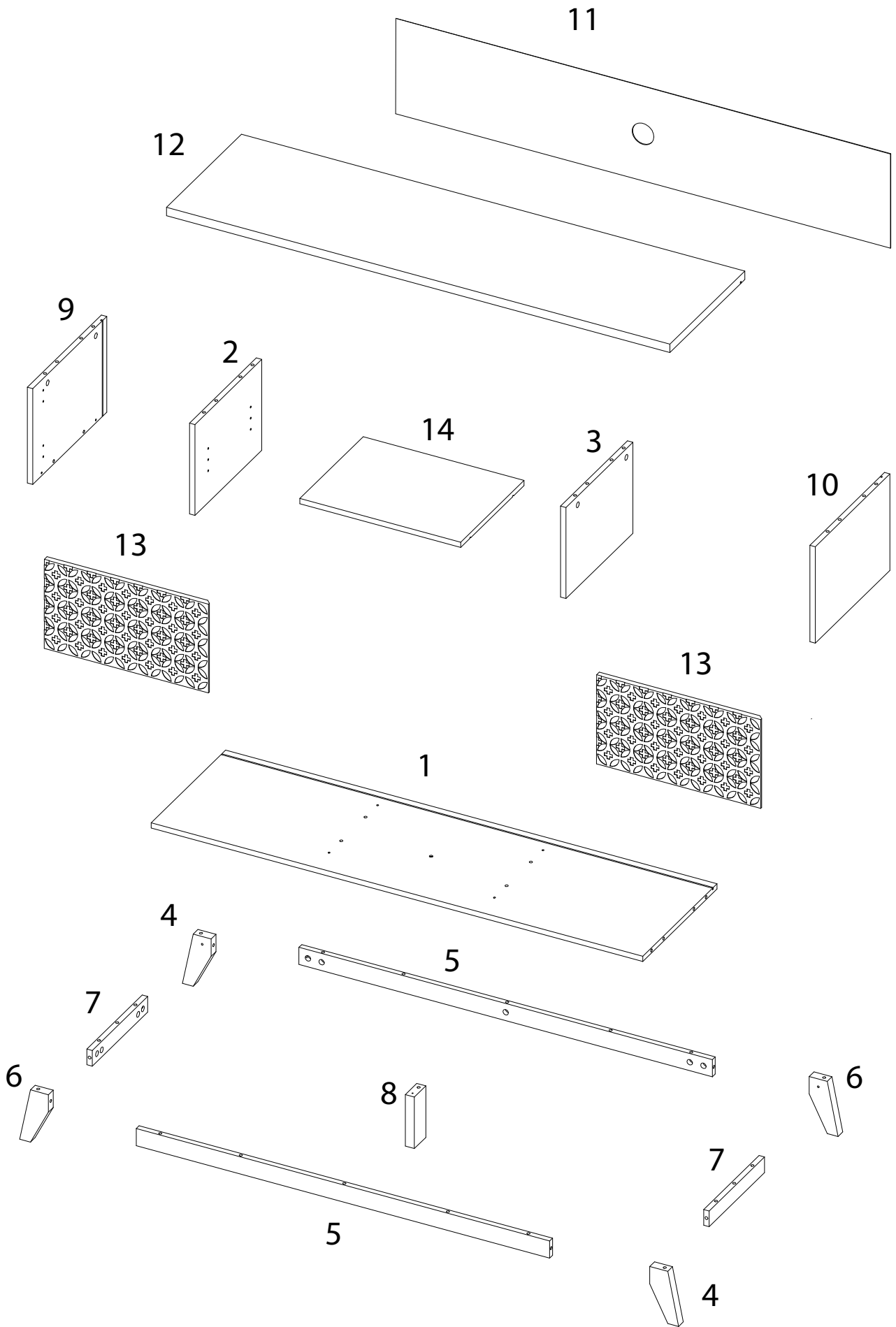
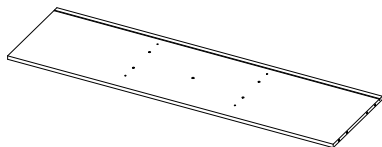

		<p>90'</p>
		
		<p>2</p>

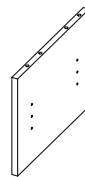


1



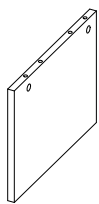
x 1

2



x 1

3



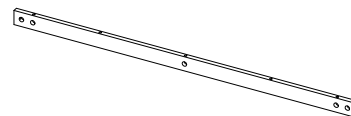
x 1

4



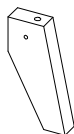
x 2

5



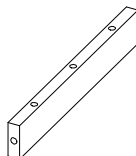
x 2

6



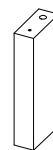
x 2

7



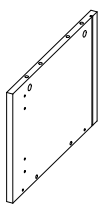
x 2

8



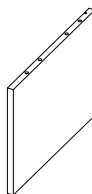
x 1

9



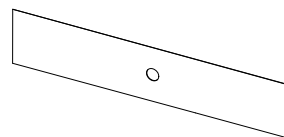
x 1

10



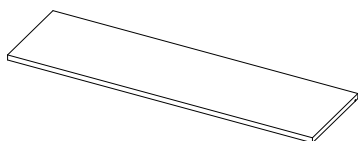
x 1

11



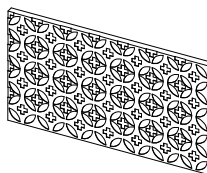
x 1

12



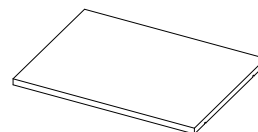
x 1

13



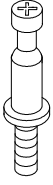
x 2

14



x 1

A



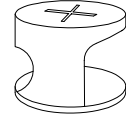
x 26

B



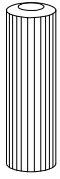
x 4

C



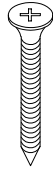
x 30

D



x 27

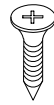
E



M8  
x  
50

x 5

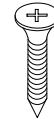
F



M6  
x  
12

x 16

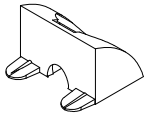
G



M5  
x  
19

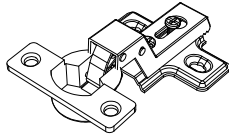
x 6

H



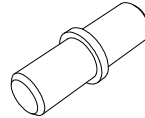
x 6

I



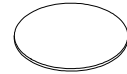
x 4

J



x 4

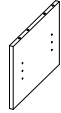
K



x 8

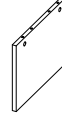
1

2



x 1

3

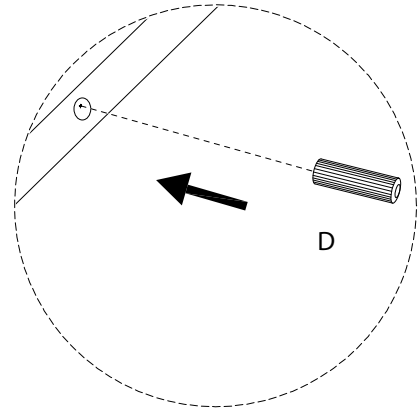
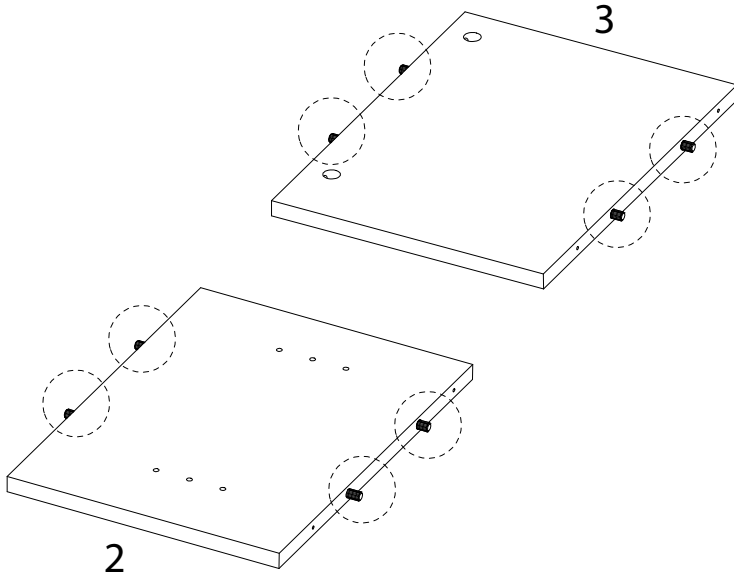


x 1

D

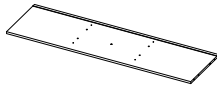


x 8



2

1

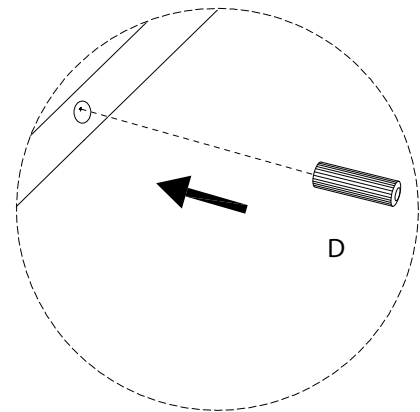
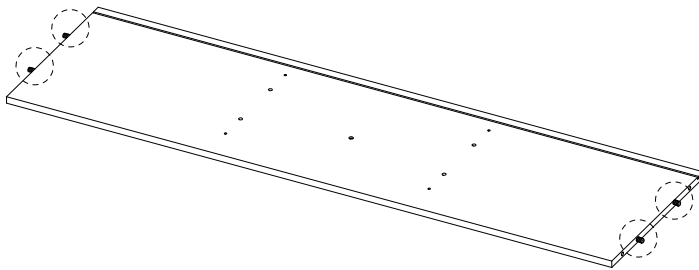


x 1

D

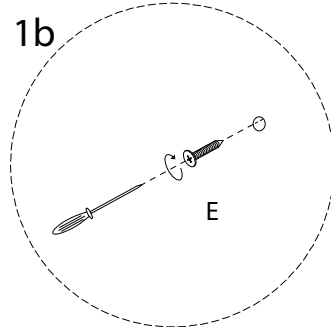
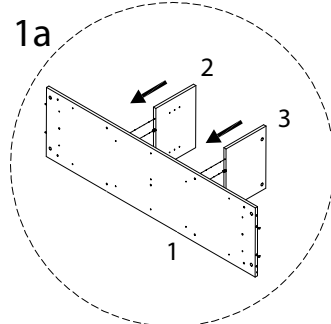
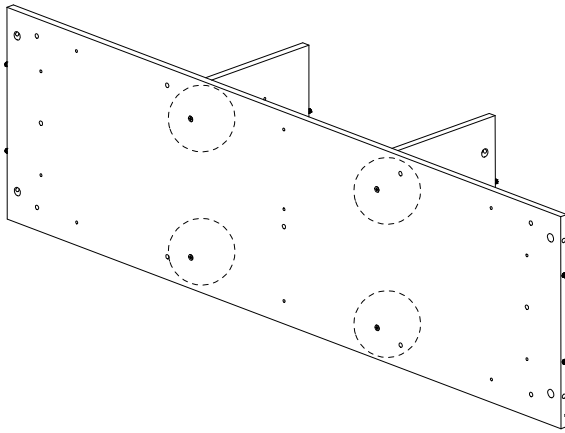


x 4



3

E  
M8  
x  
50  
x 4



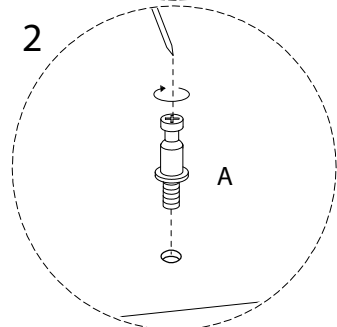
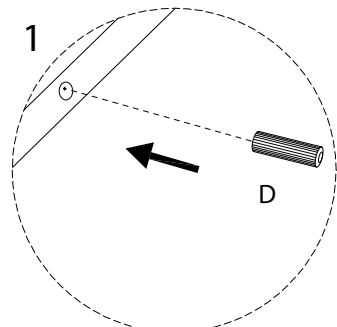
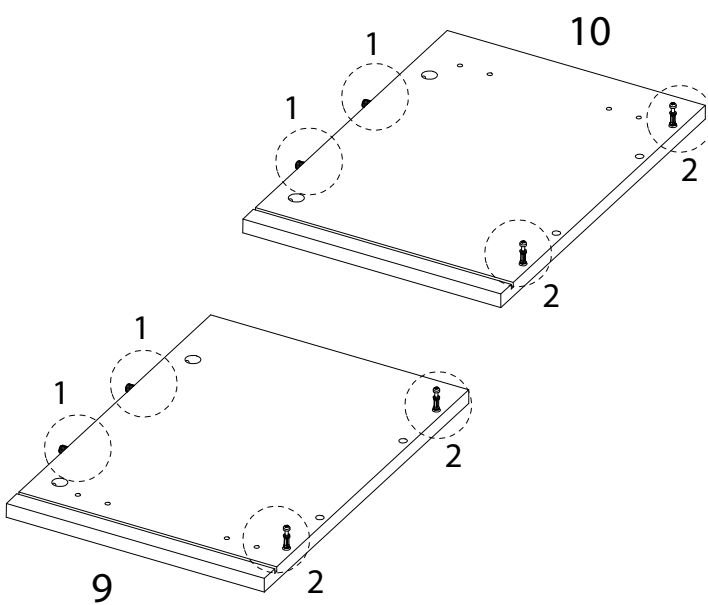
4

9  
x 1

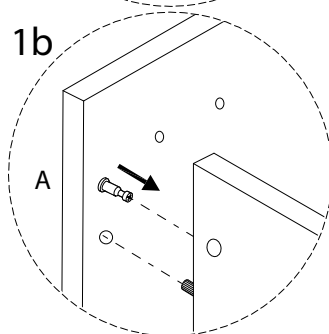
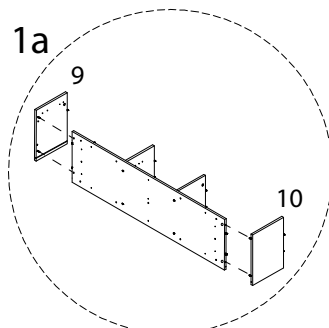
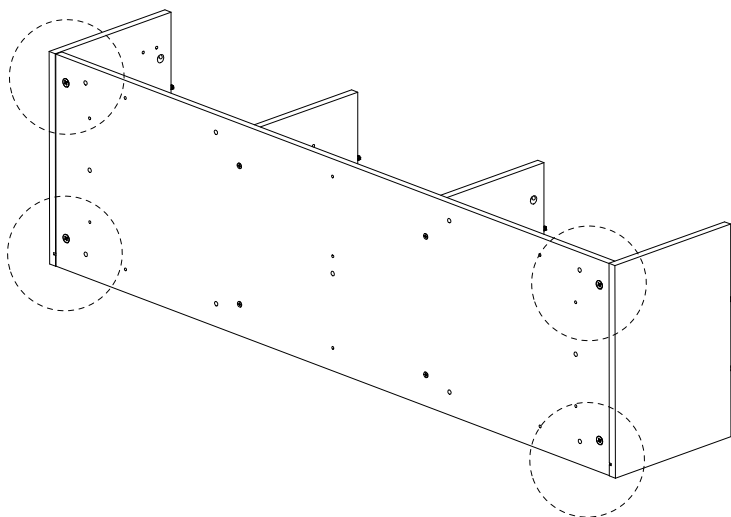
10  
x 1

A  
x 4

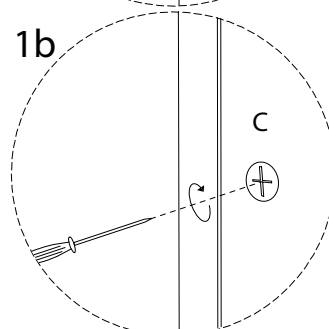
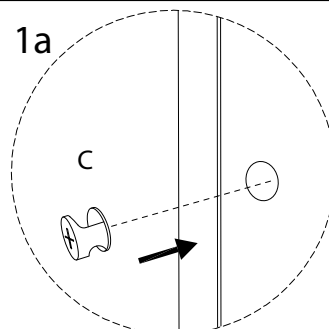
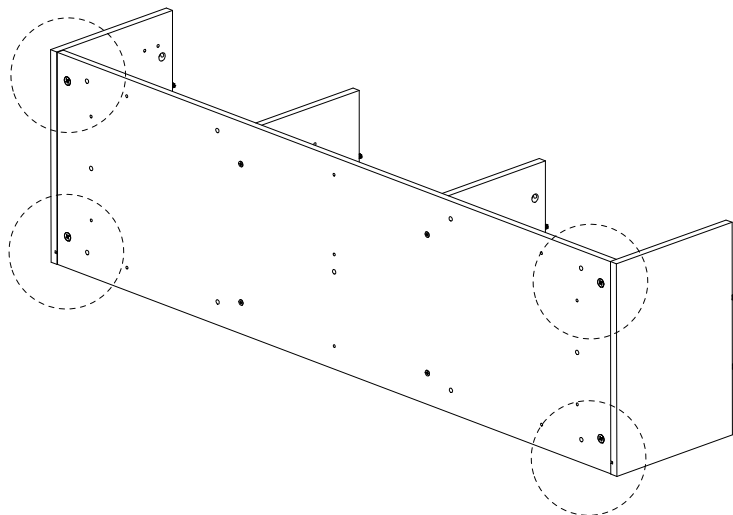
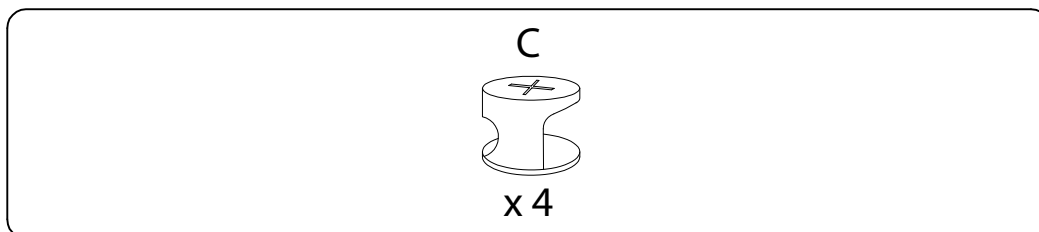
D  
x 4



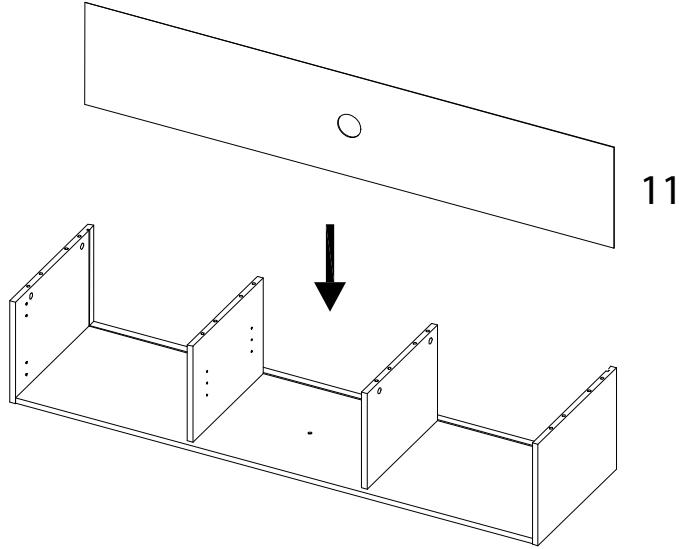
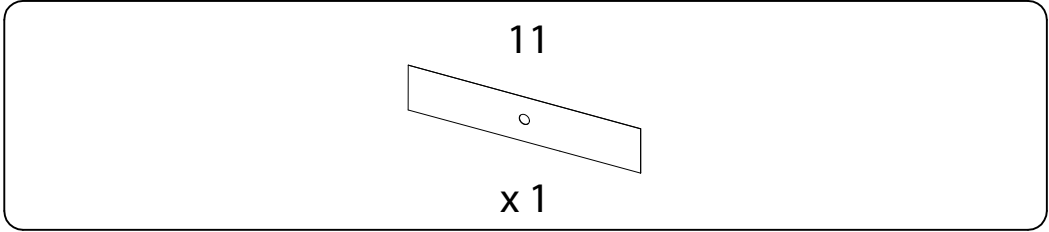
5



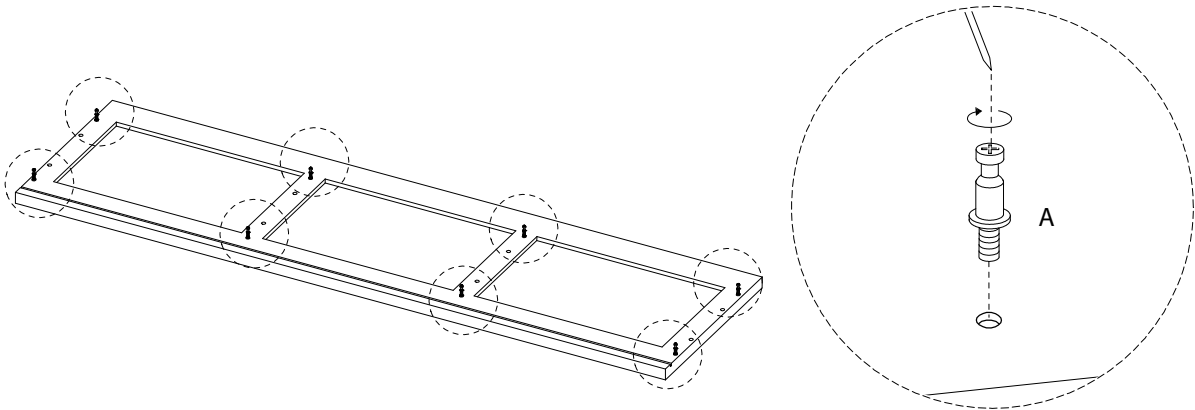
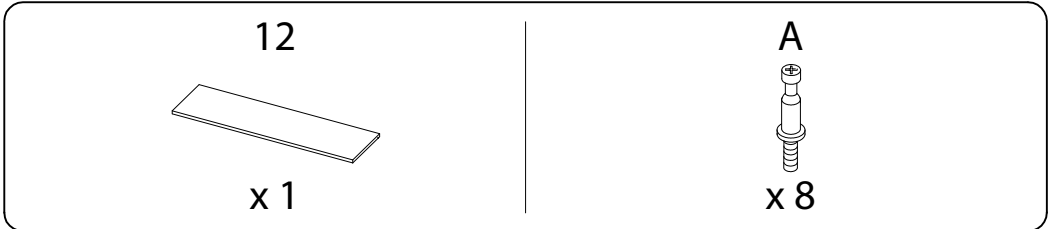
6



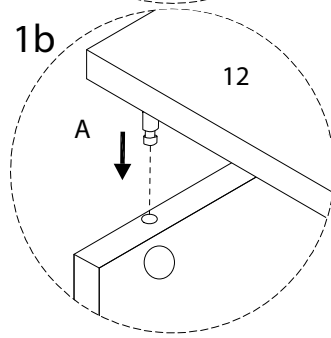
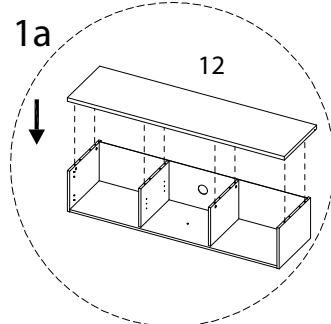
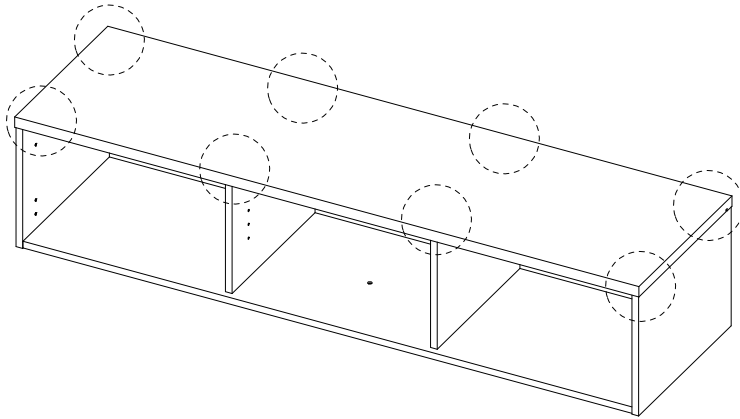
7



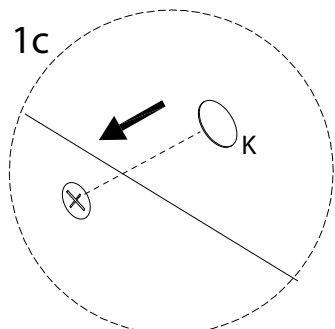
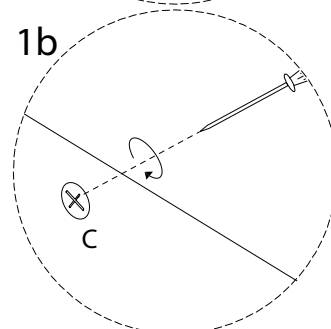
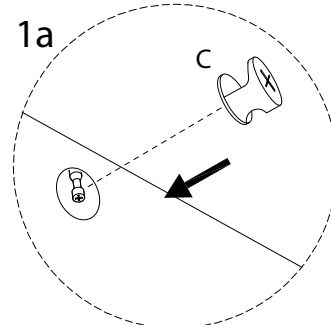
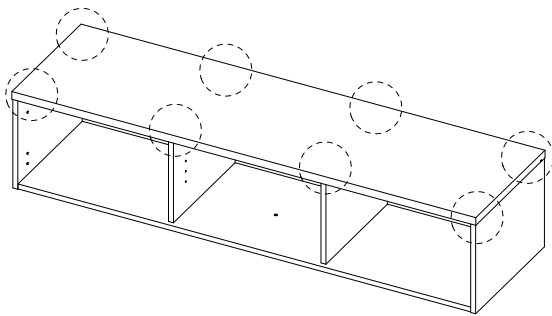
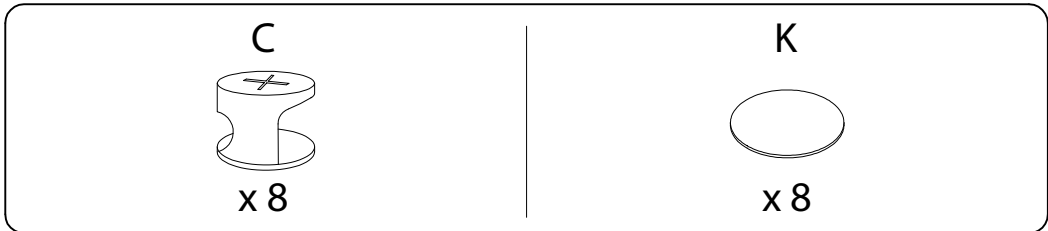
8



9



10



11

8

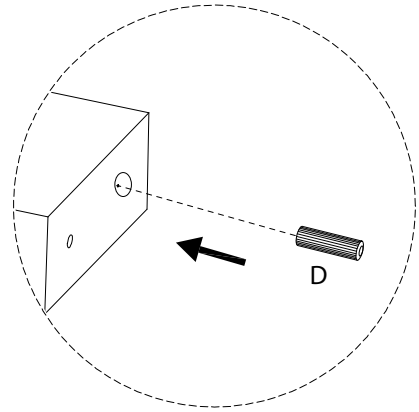
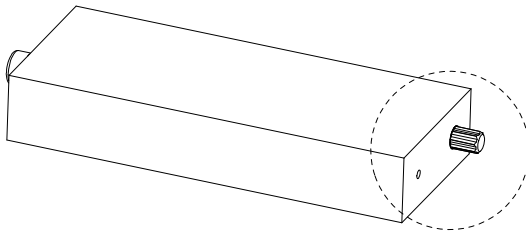


x 1

D

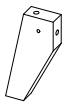


x 1



12 x 2

4



x 1

A



x 1

B

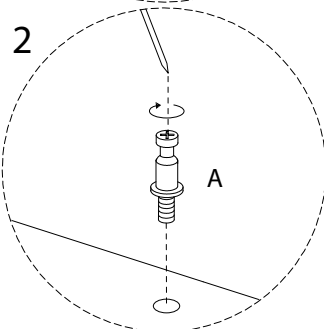
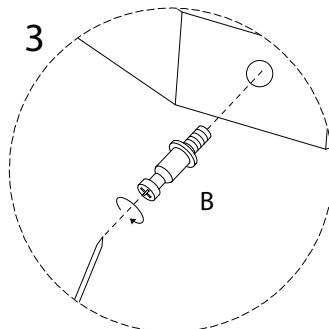
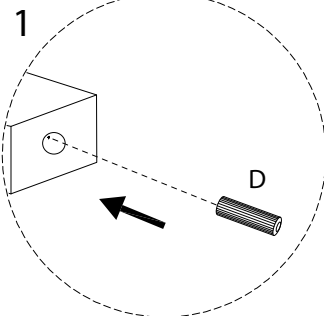
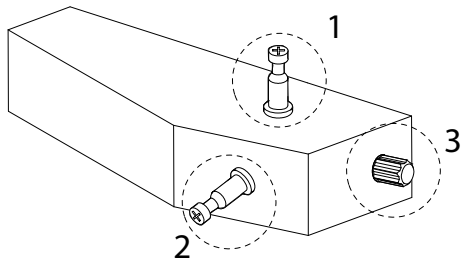


x 1

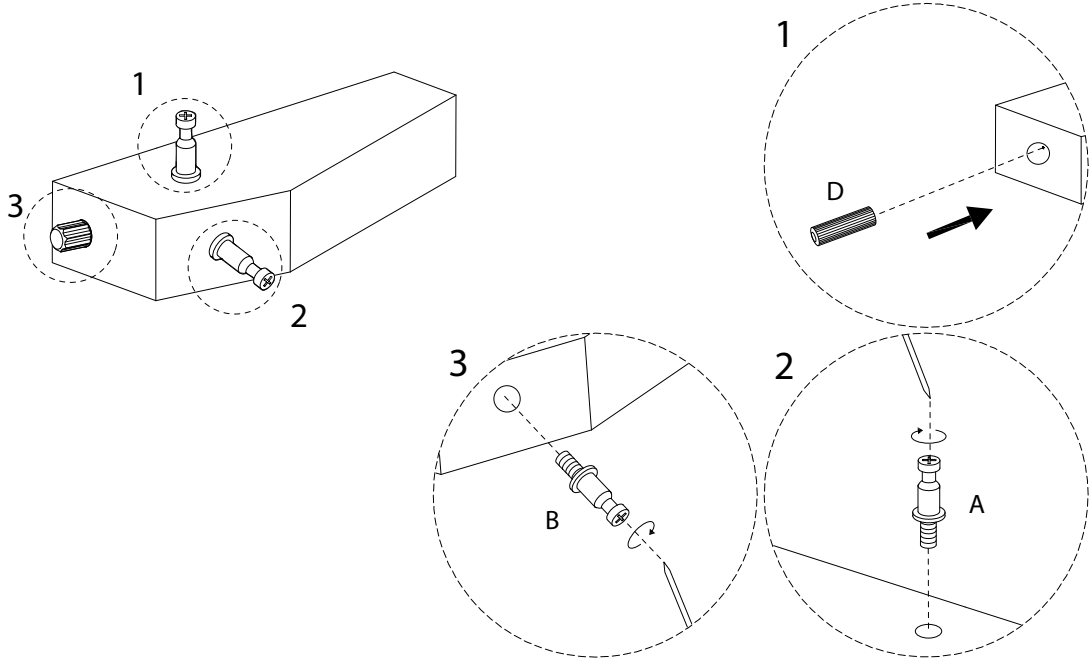
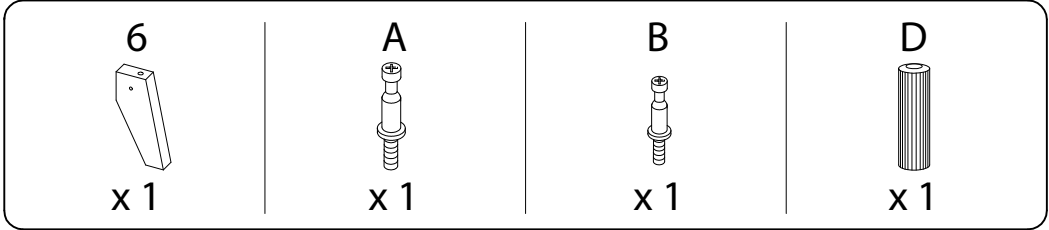
D



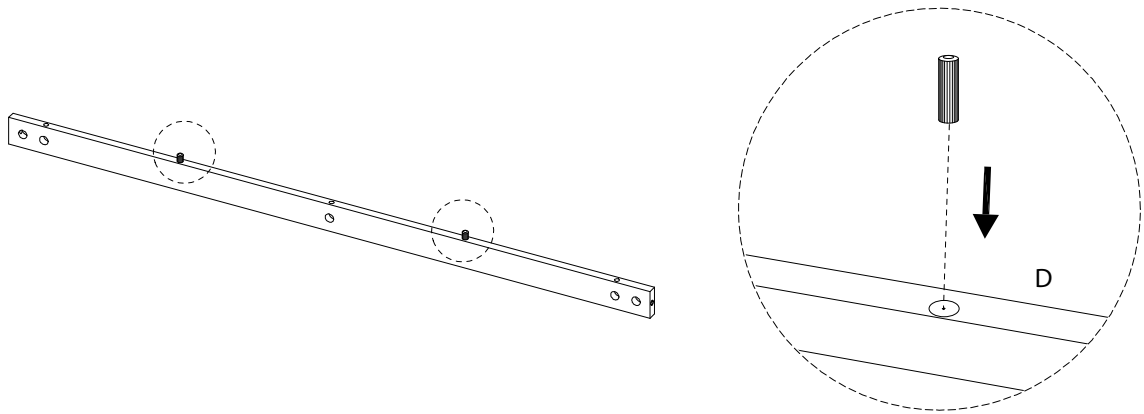
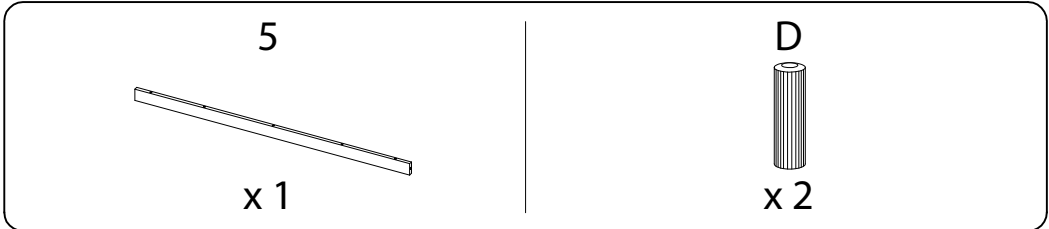
x 1



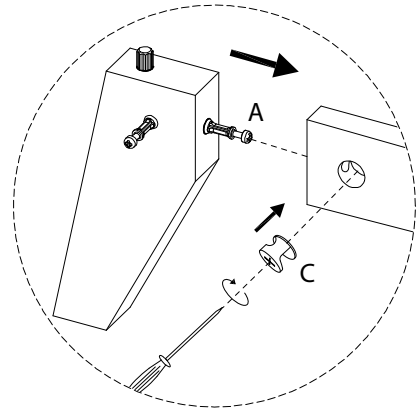
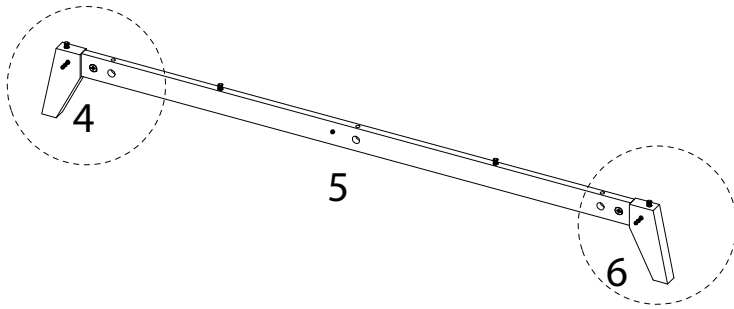
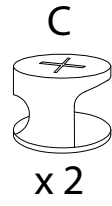
13 x 2



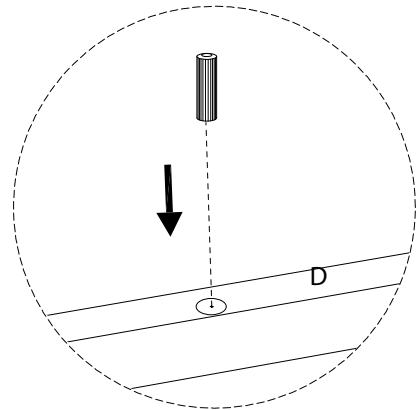
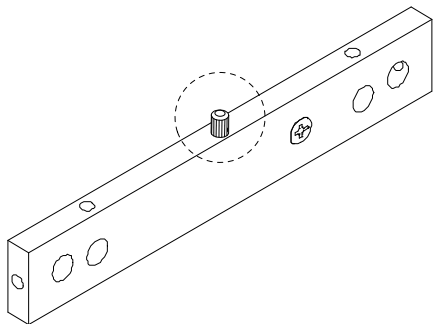
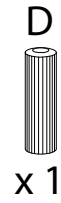
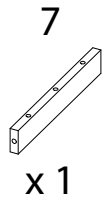
14 x 2



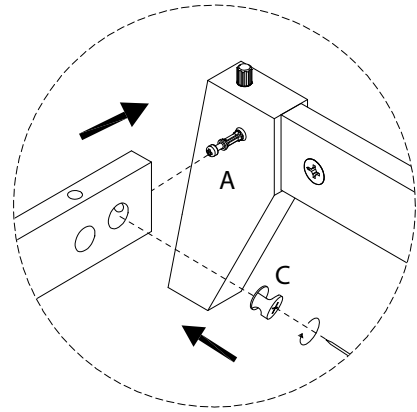
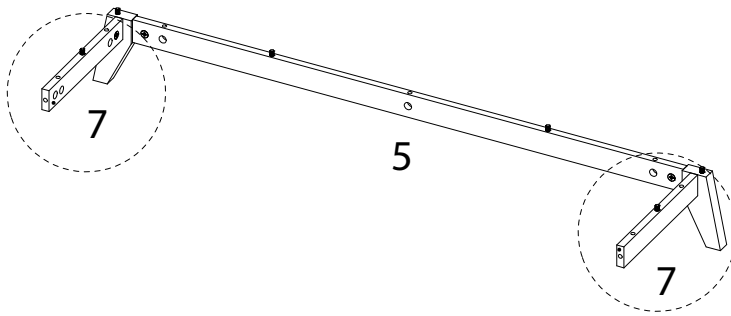
15 x 2



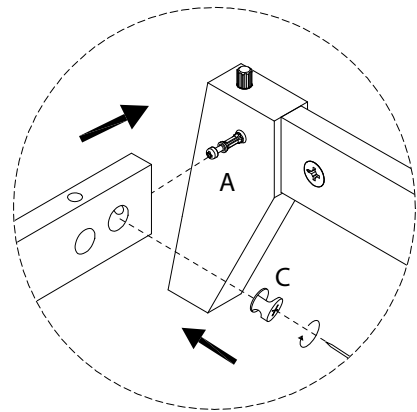
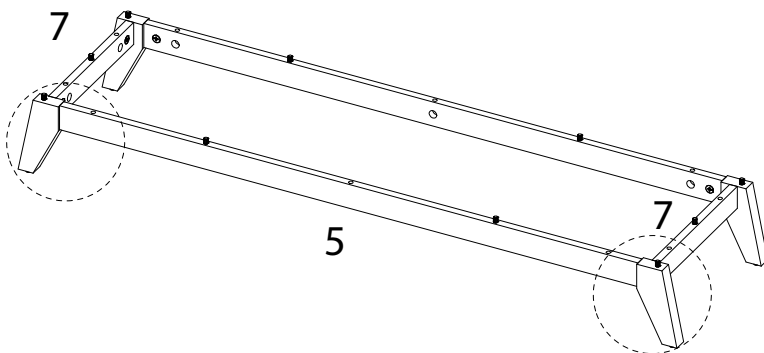
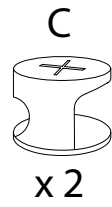
16 x 2



17



18

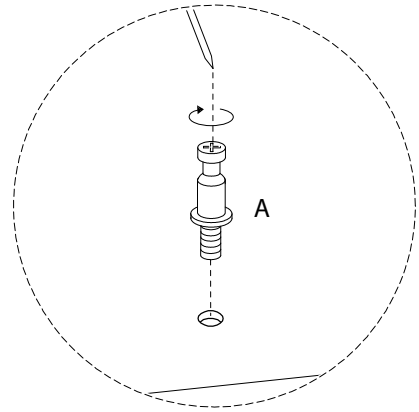
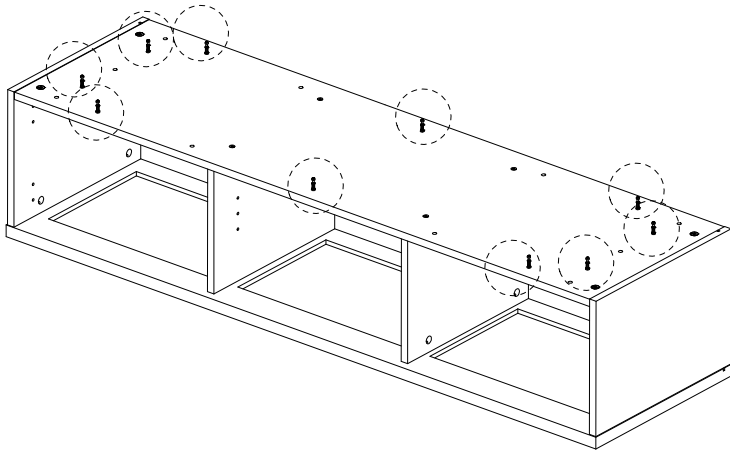


19

A

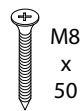


x 10



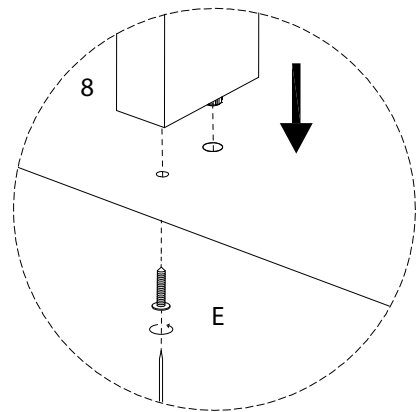
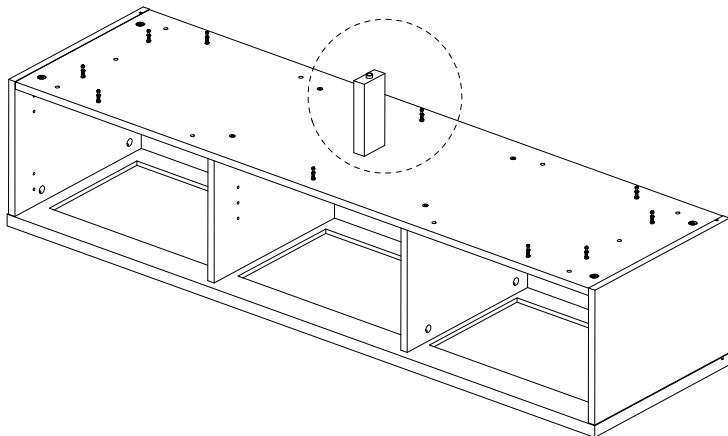
20

E



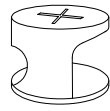
M8  
x  
50

x 1

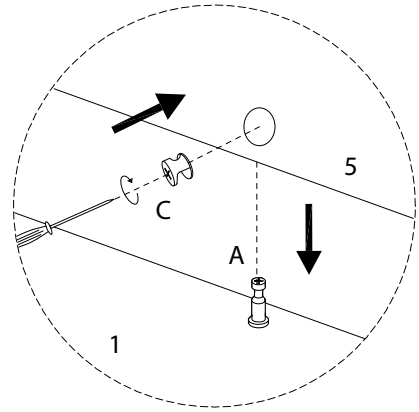
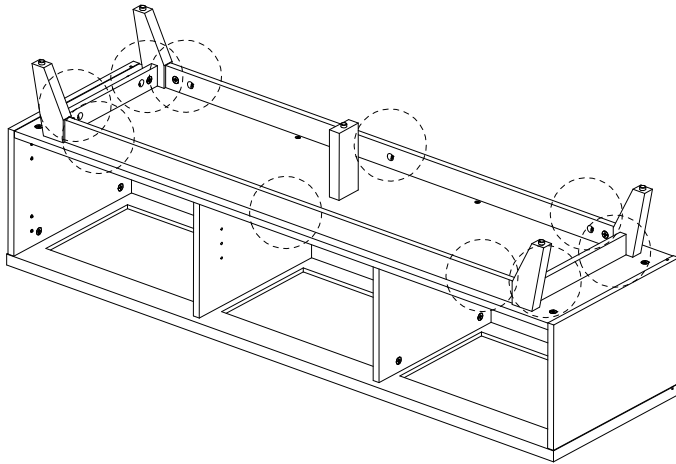


21

C

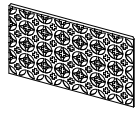


x 10



22 x 2

13



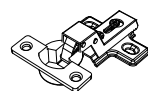
x 1

F

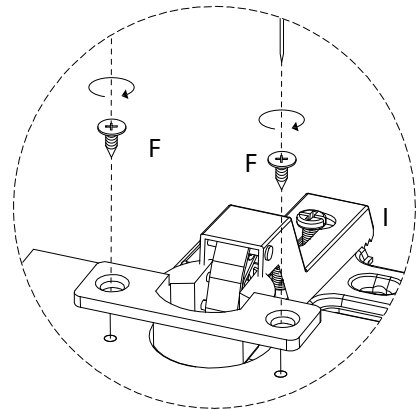
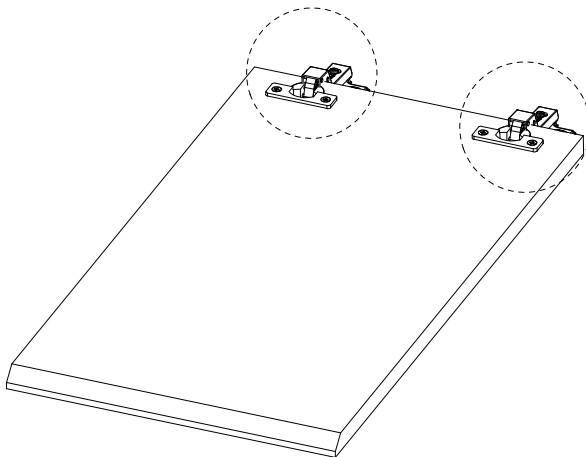


x 4

I



x 2



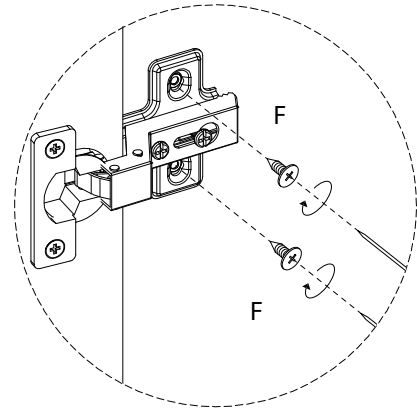
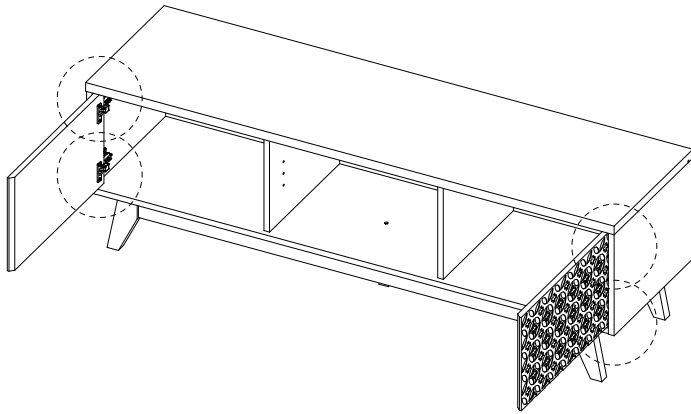
23

F

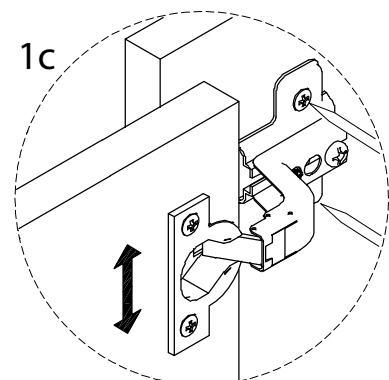
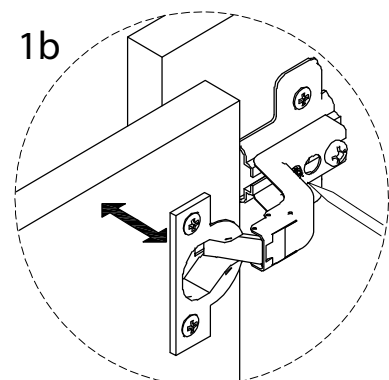
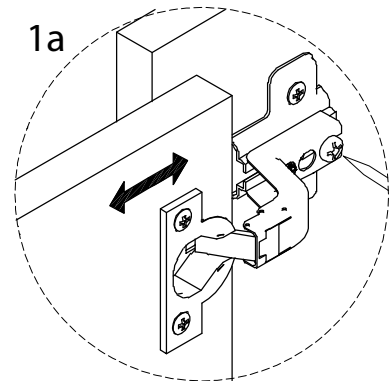
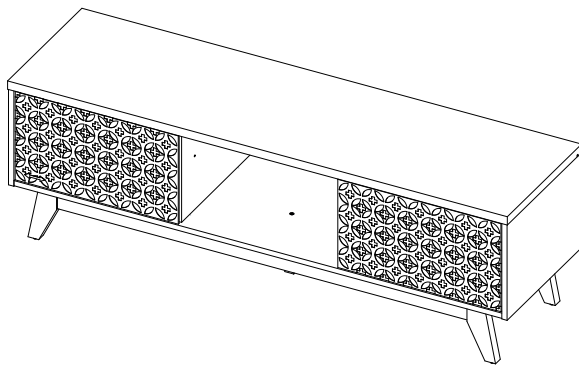
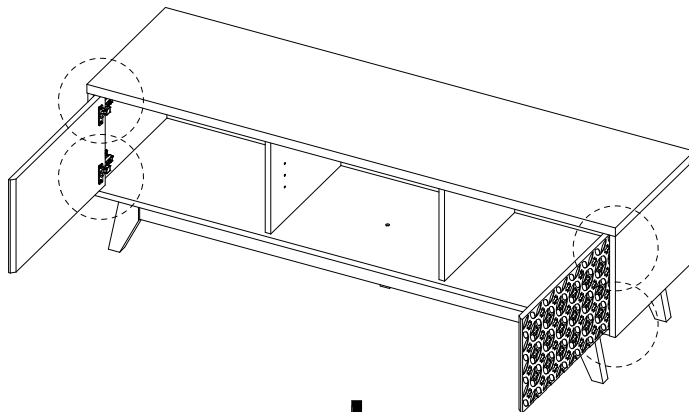
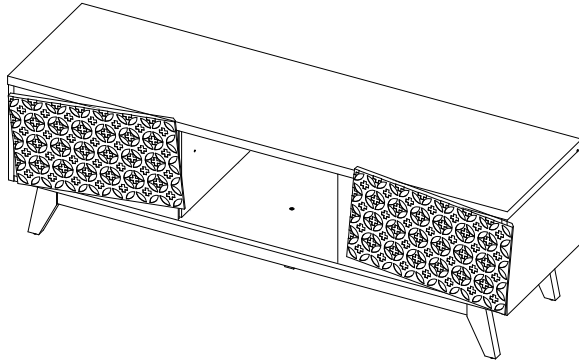


M6  
x  
12

x 8



24

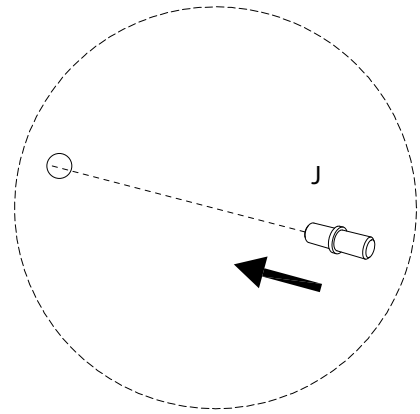
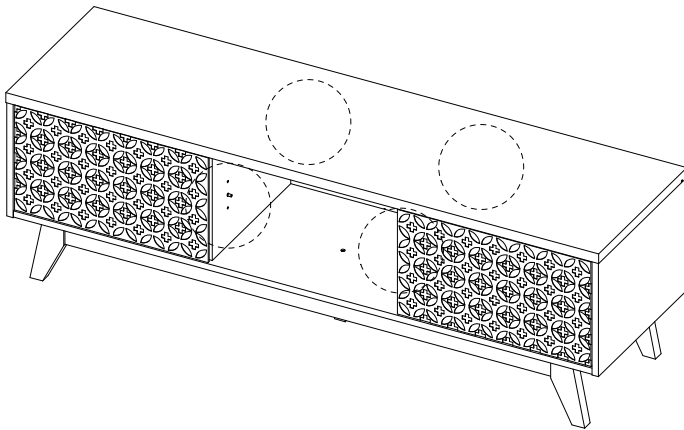


25

J

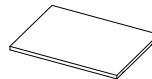


x 4

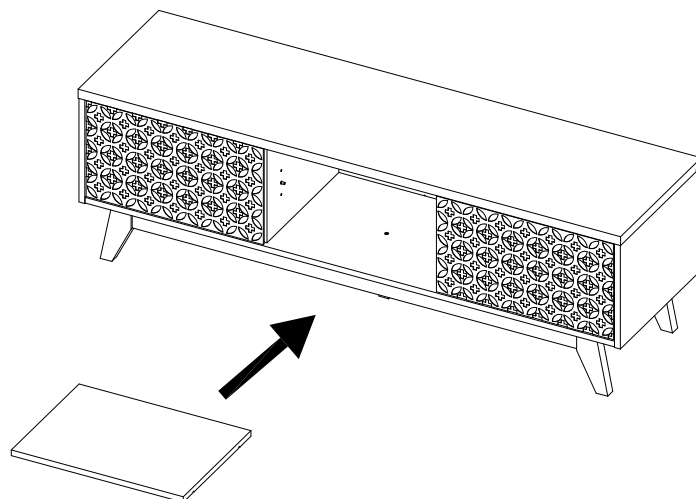


26

14



x 1



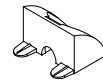
27

G



x 6

H



x 6

