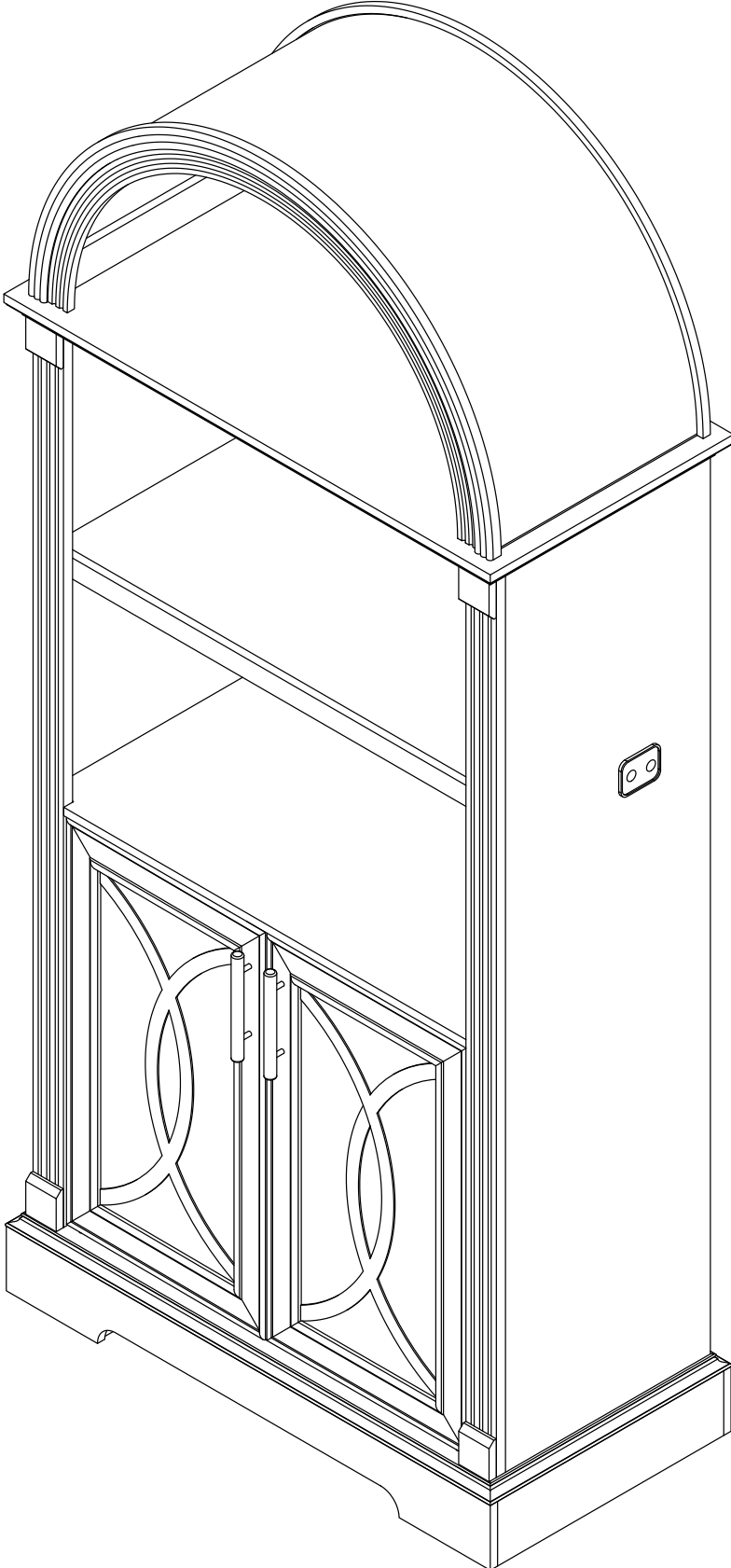
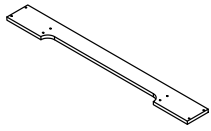
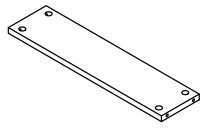


Product Installation Instructions

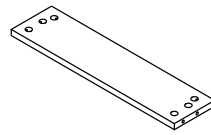




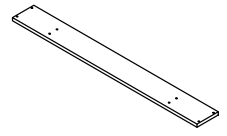
A x1



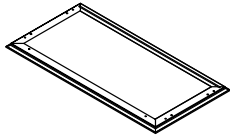
B x2



C x2



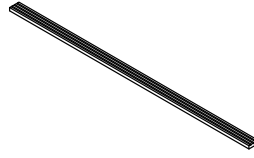
D x1



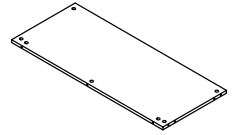
E x1



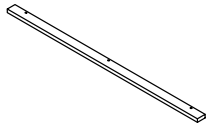
F x1



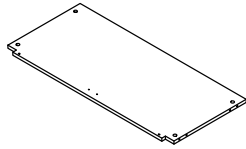
G x2



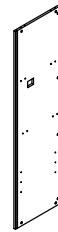
H x1



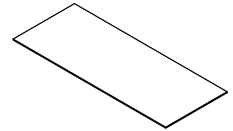
I x1



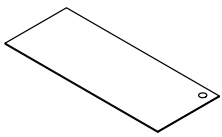
J x1



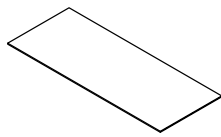
K x1



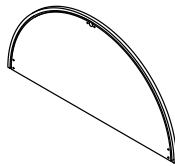
L x2



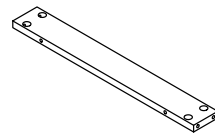
M1 x1



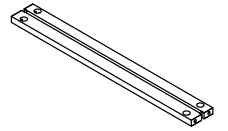
M2 x1



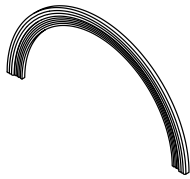
N x1



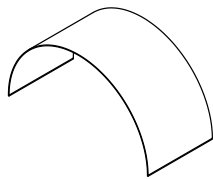
O x2



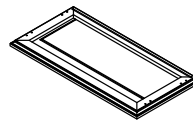
P x1



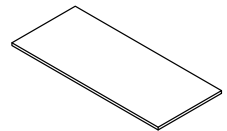
Q x1



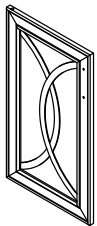
R x1



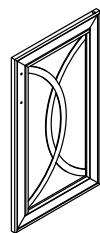
S x1



T x1

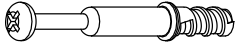



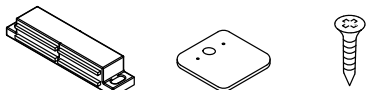


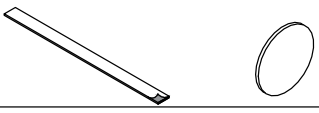

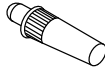

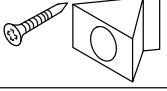
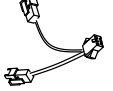
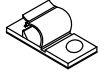
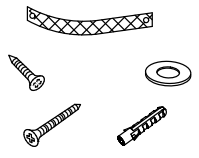
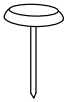
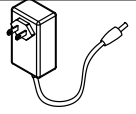
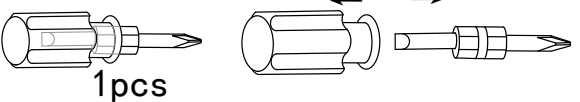



U x1

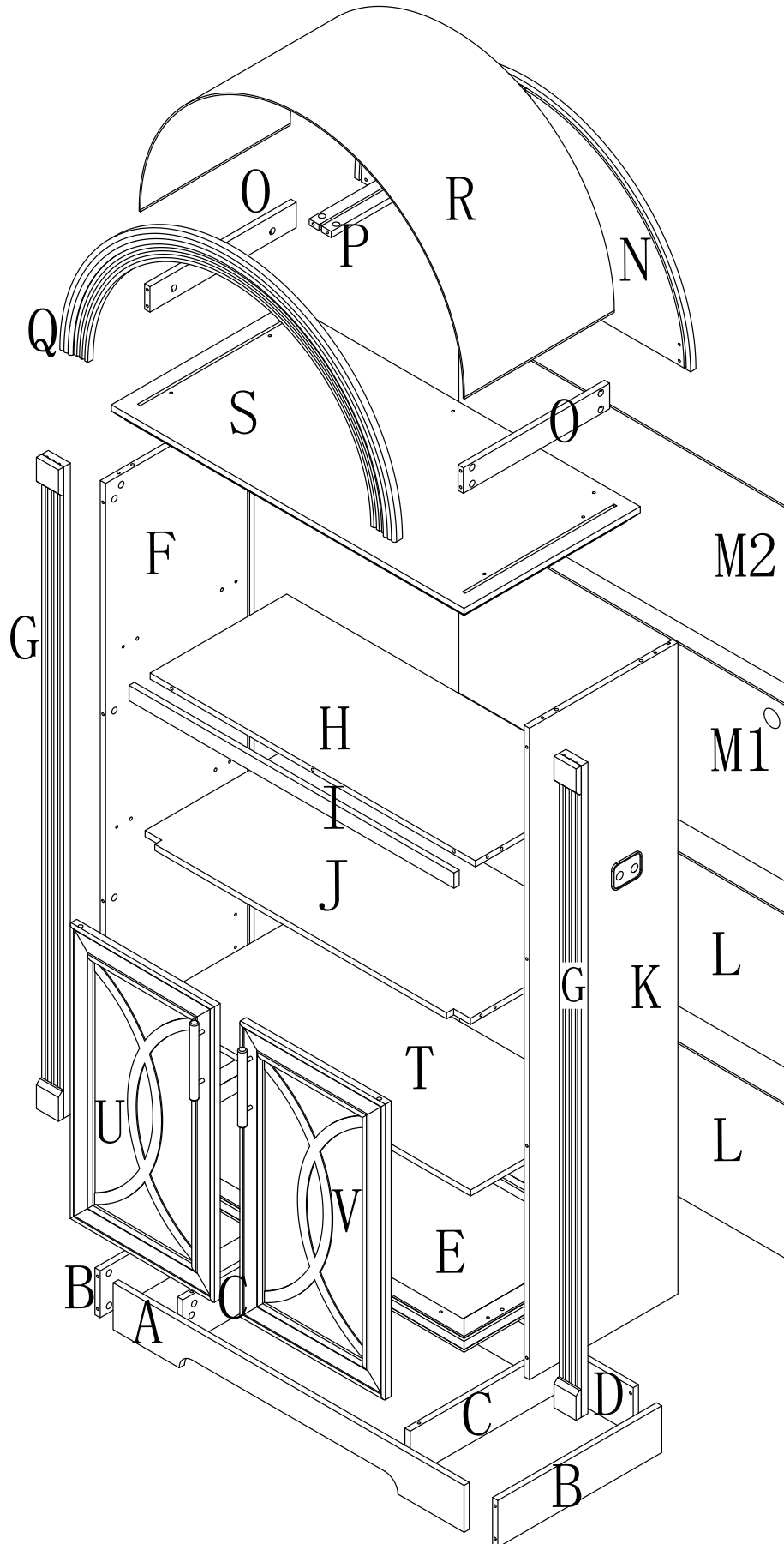


V x1

Accessories list

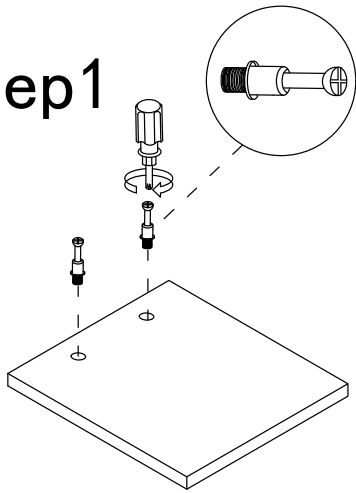
①		Two In One Screw (6x28mm)	66pcs +5pcs		
②		Two In One Nut (10x12mm)	66pcs +5pcs		
③		Wood Chipping (6x30mm)	16pcs +2pcs		
④		Non-slip pads	8pcs +2pcs		
⑤		Magnetic Attraction & Screw (3.5x12mm)	2pcs	4pcs	8pcs +2pcs
⑥		Backboard card strip	1pcs		
⑦		Wire	1pcs		
⑧		Sticker (Ø20mm)	1pcs	4pcs +2pcs	
⑨		Shelf support	4pcs +1pcs		
⑩		Door shaft	4pcs		
⑪		Handle & screw (4x22mm)	2pcs	4pcs +1pcs	
⑫		Fixing clip & screw (3x16mm)	10pcs +2pcs		
⑬		Forked line	1pcs		
⑭		Wire Clamp	2pcs +1pcs		
⑮		anti-tipping tape Screw & gasket (3.5x12mm) Screw (4x45mm)	1pcs		
			1pcs	2pcs	
			1pcs	1pcs	
⑯		Foot nail	4pcs +2pcs		
	 AC/DC Adapter(12V 2.0A) 1pcs	Double-head screwdriver, use as required  1pcs			

Product structure decomposition

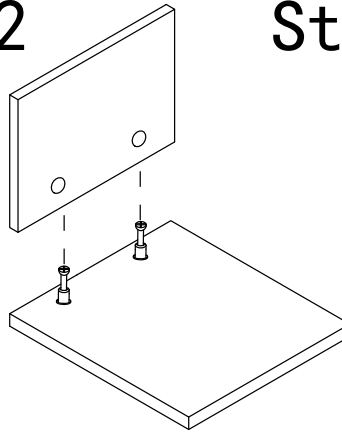


Screw installation method

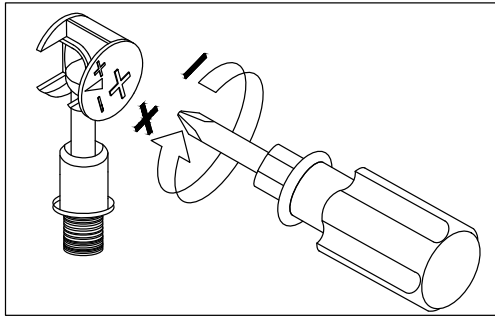
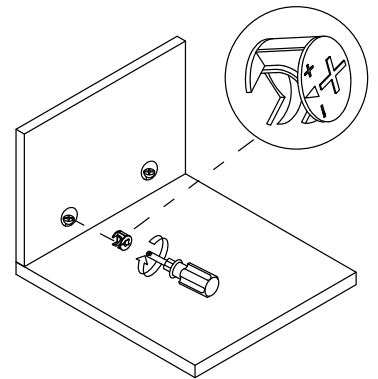
Step1



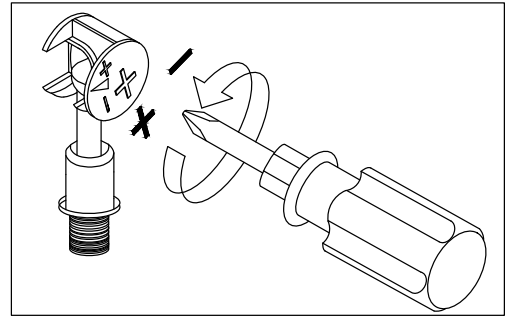
Step2



Step3

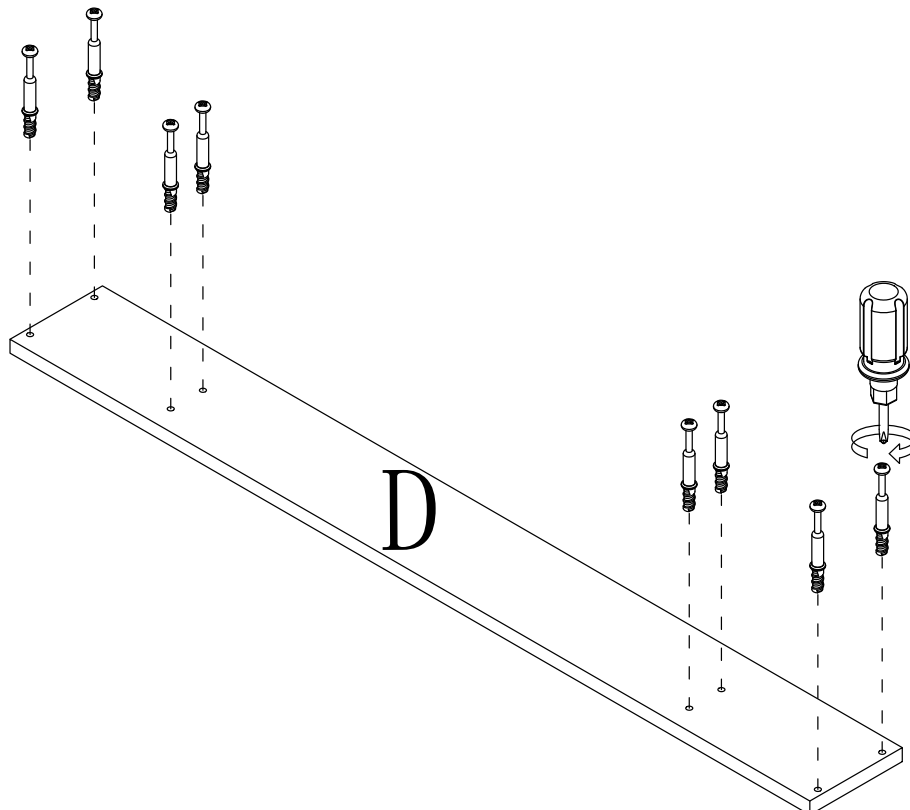
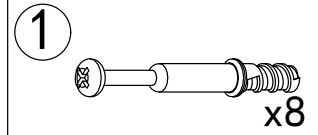


Use a screwdriver to lock in the direction of the "+" sign



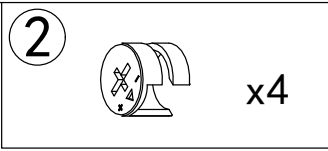
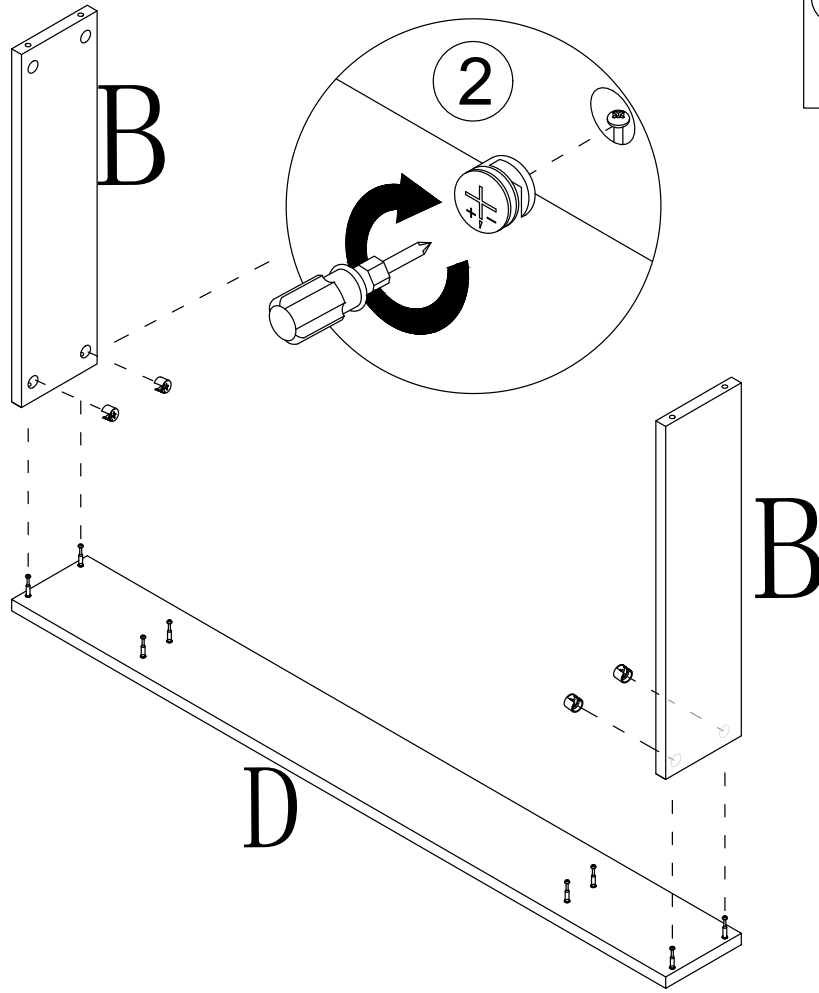
Disassemble along the direction of "-" sign

Step 1

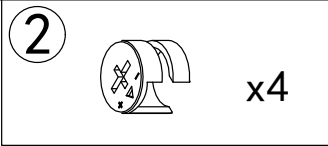
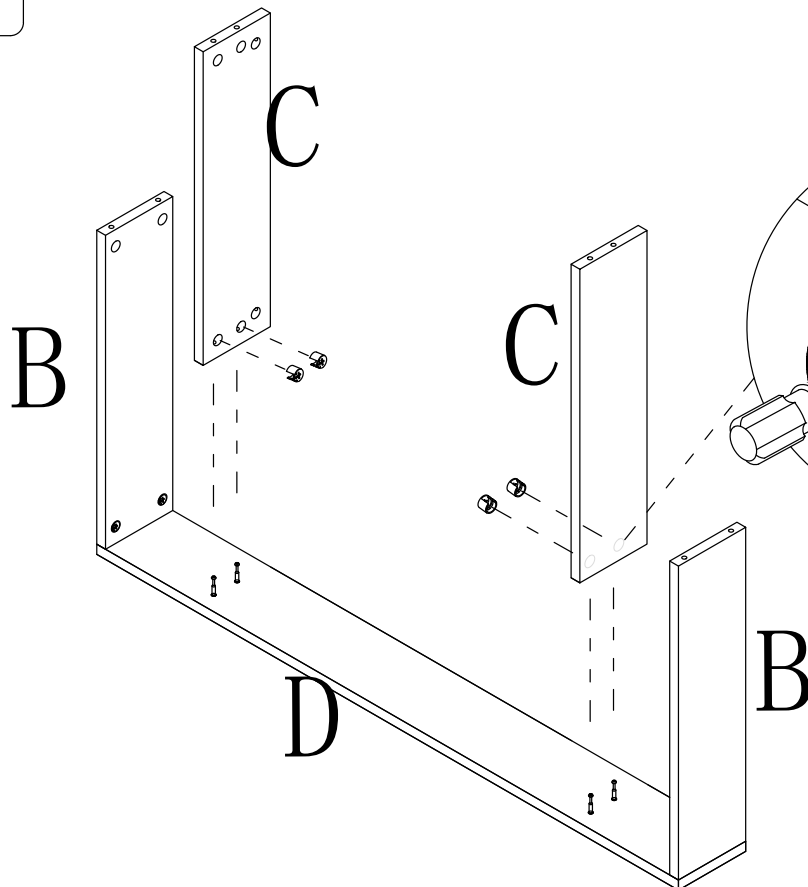


4

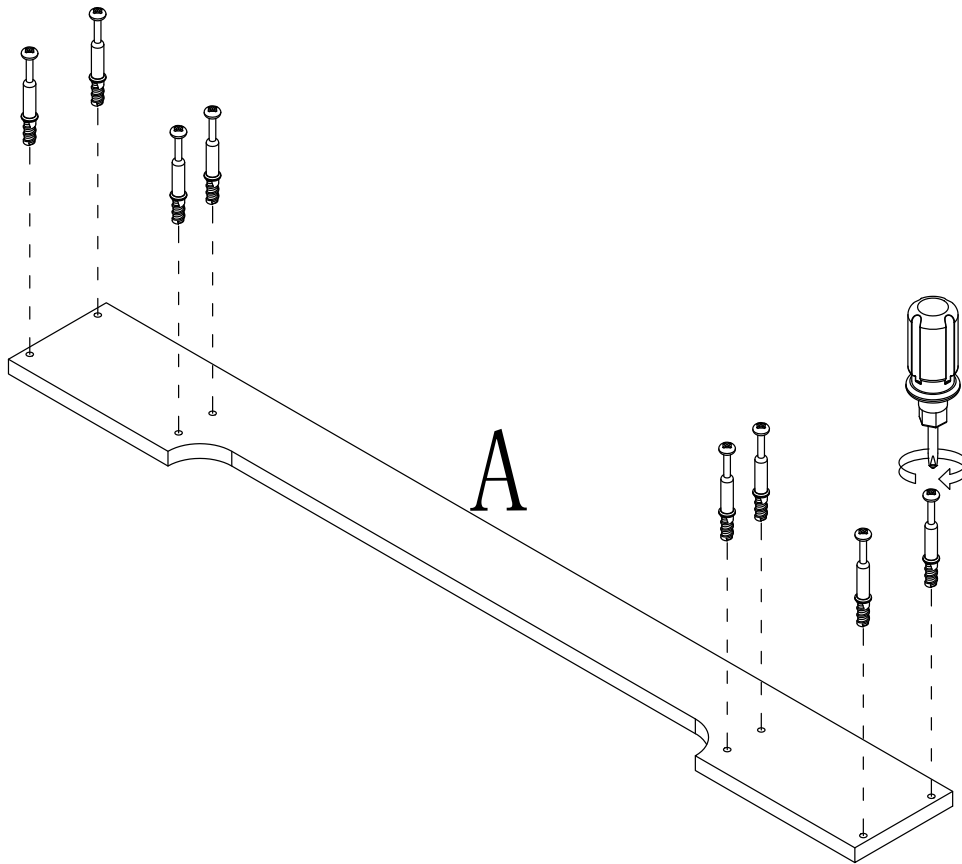
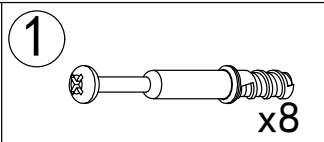
Step 2



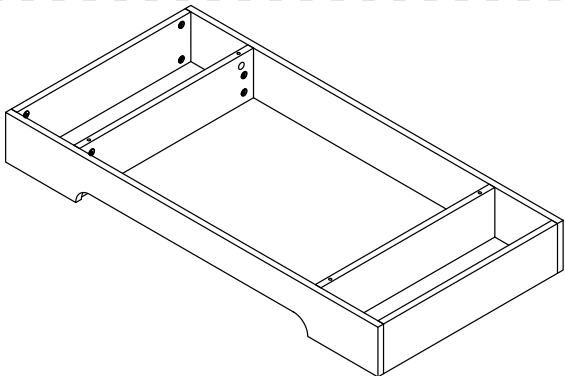
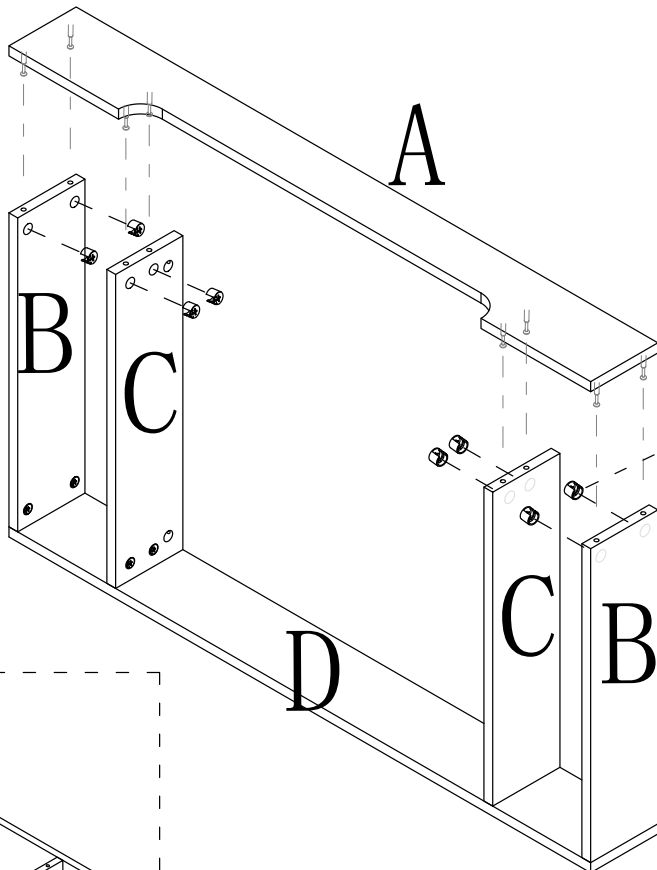
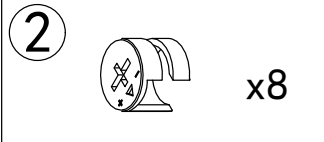
Step 3



Step 4

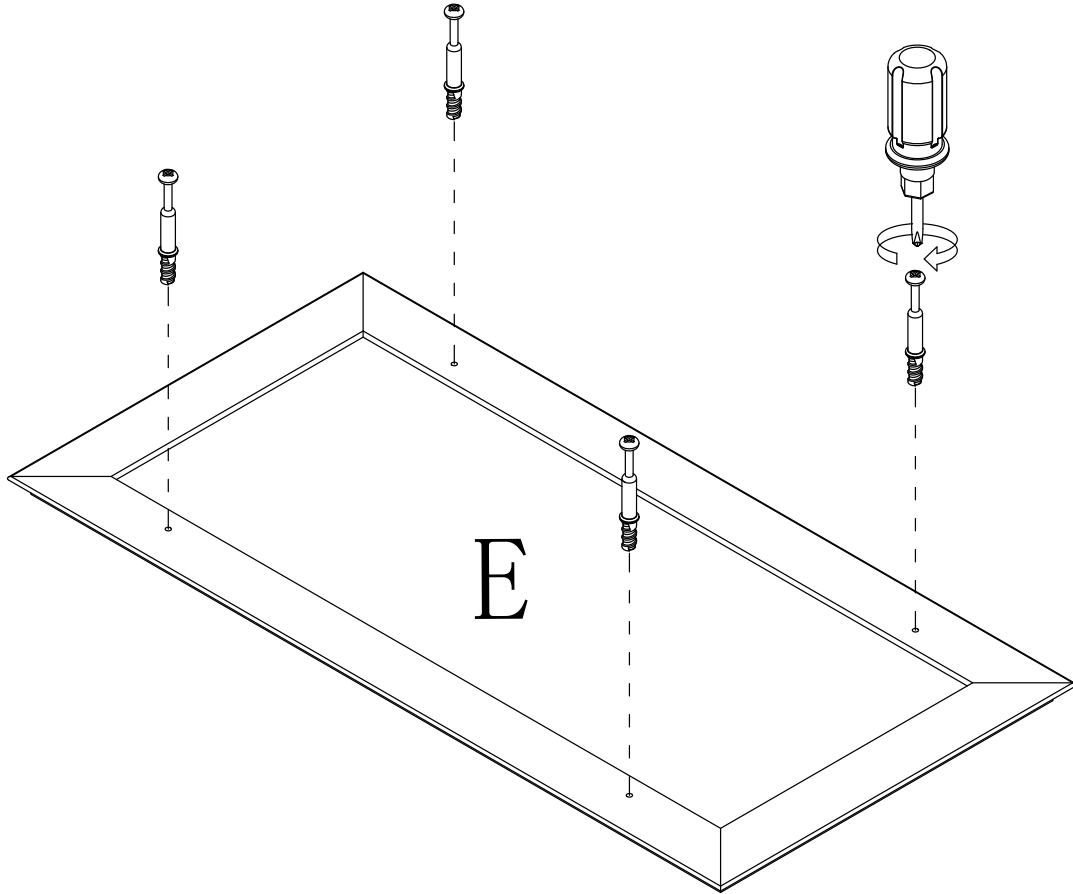
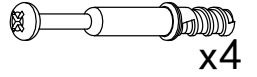


Step 5

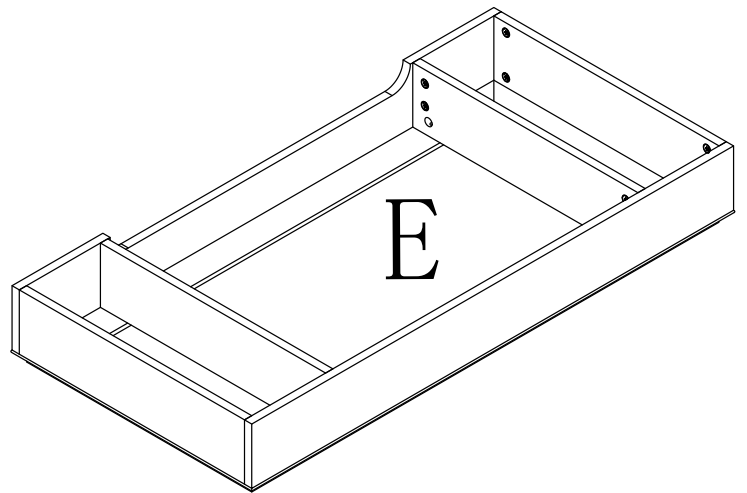
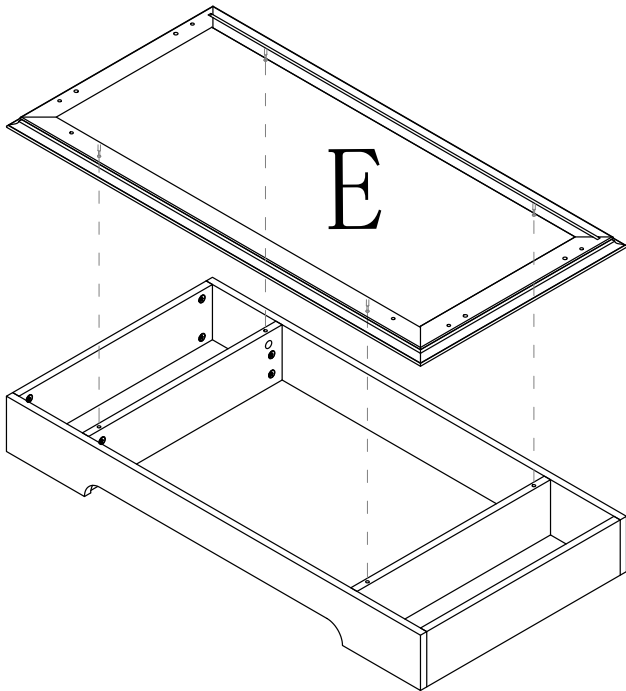
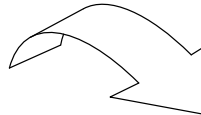


Step 6

1

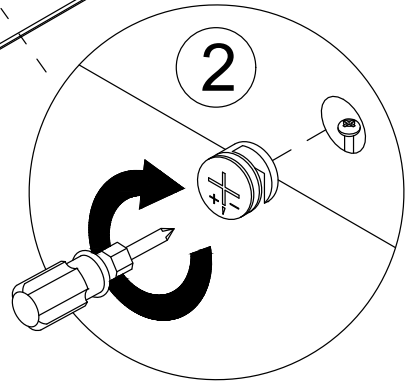
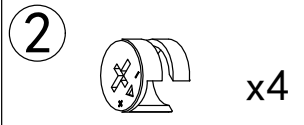
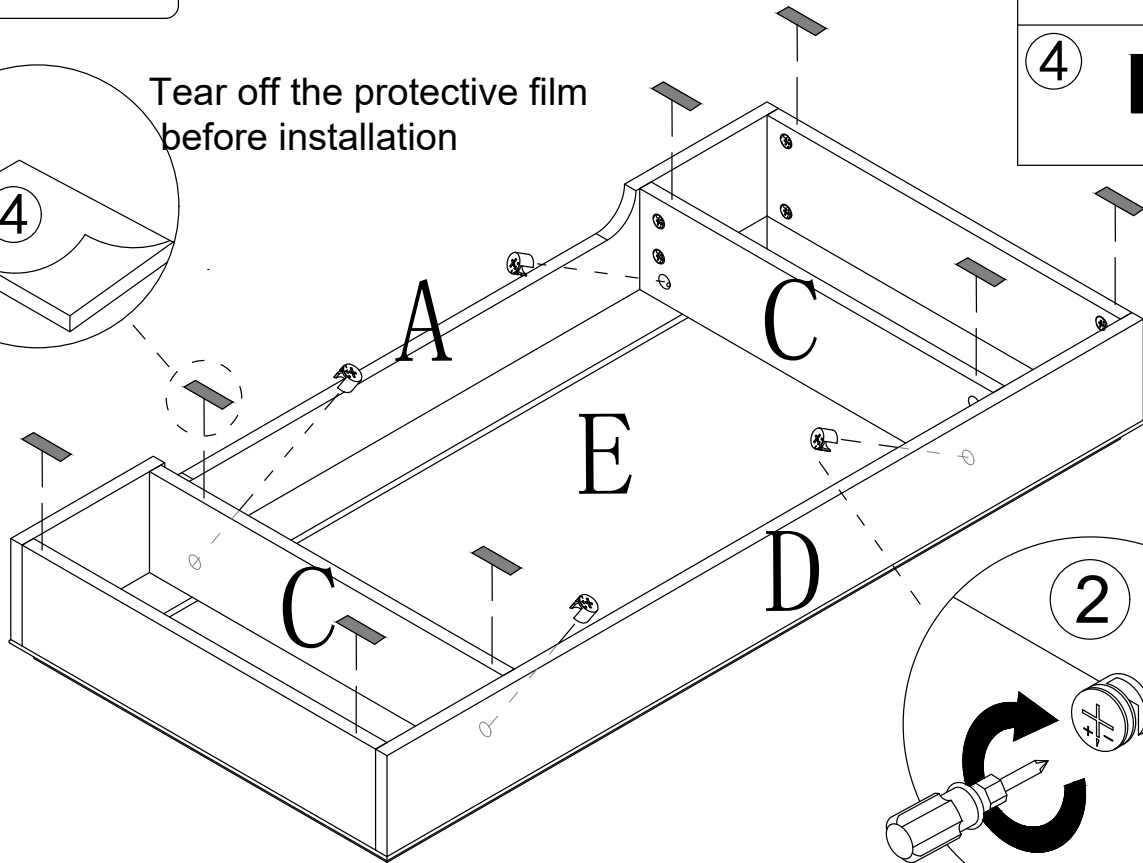
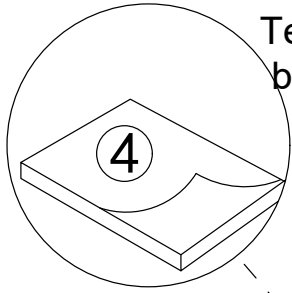


Flip one side

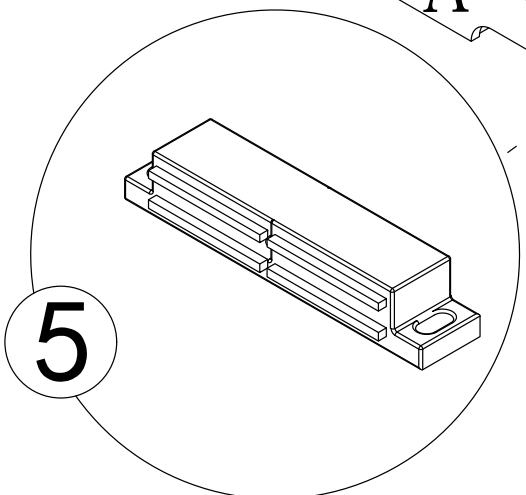
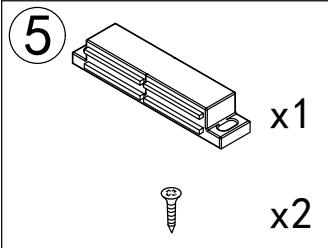
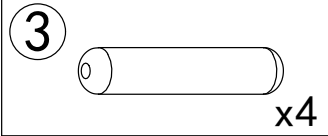
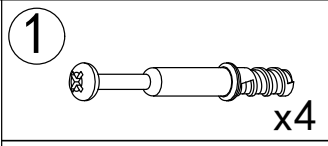
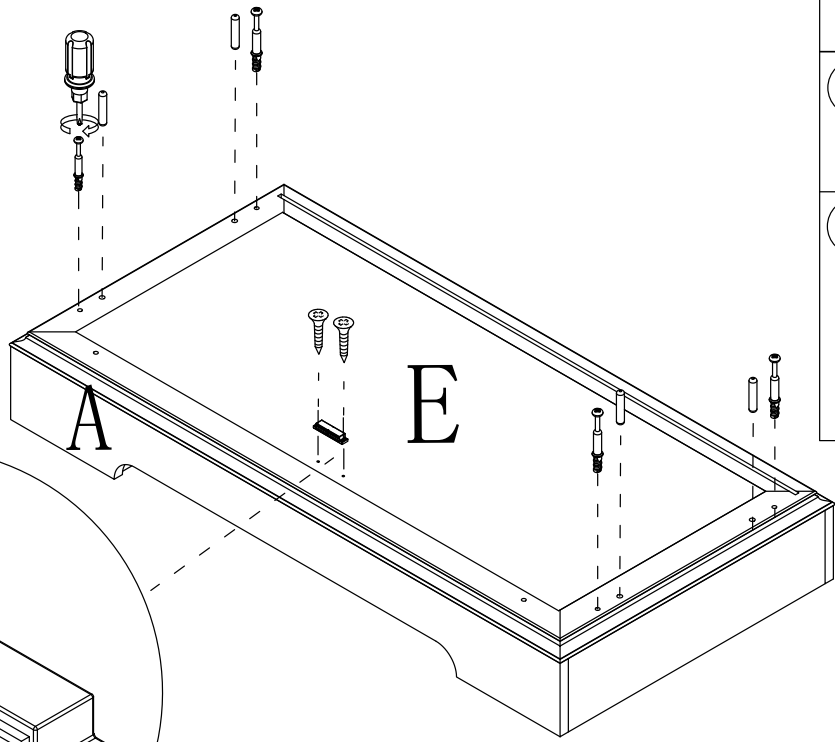


Step 6

Tear off the protective film before installation



Step 7



5

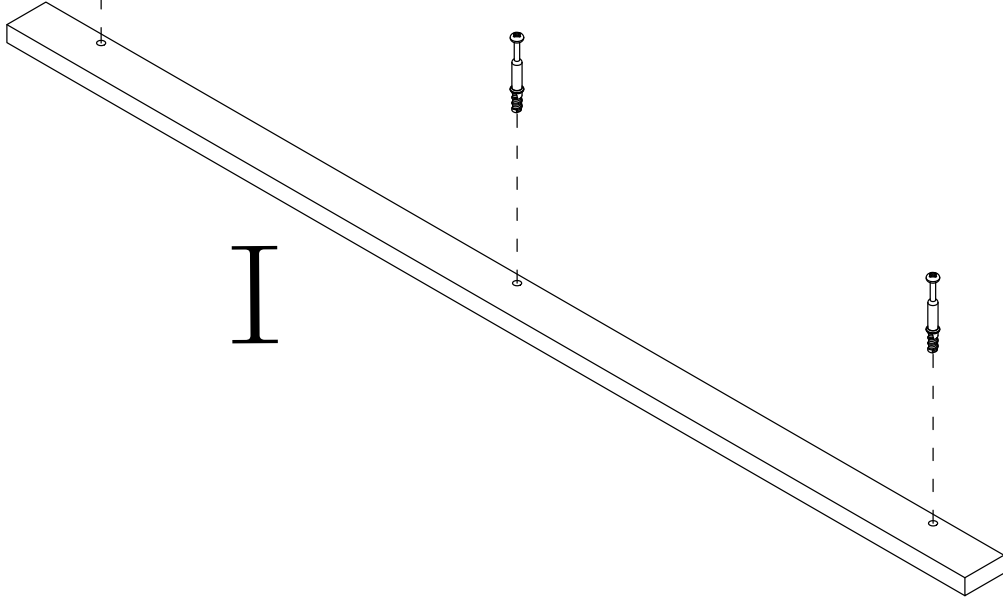
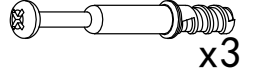
Pay attention to magnets' orientation

8

Step 8



1

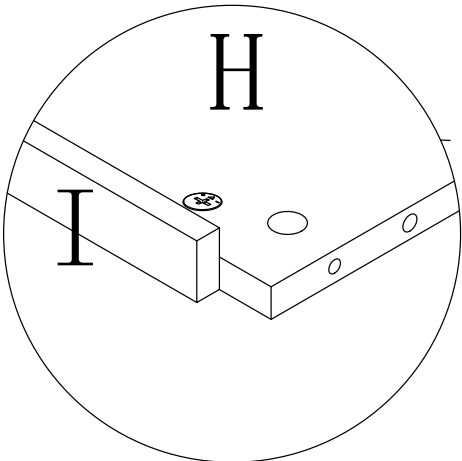
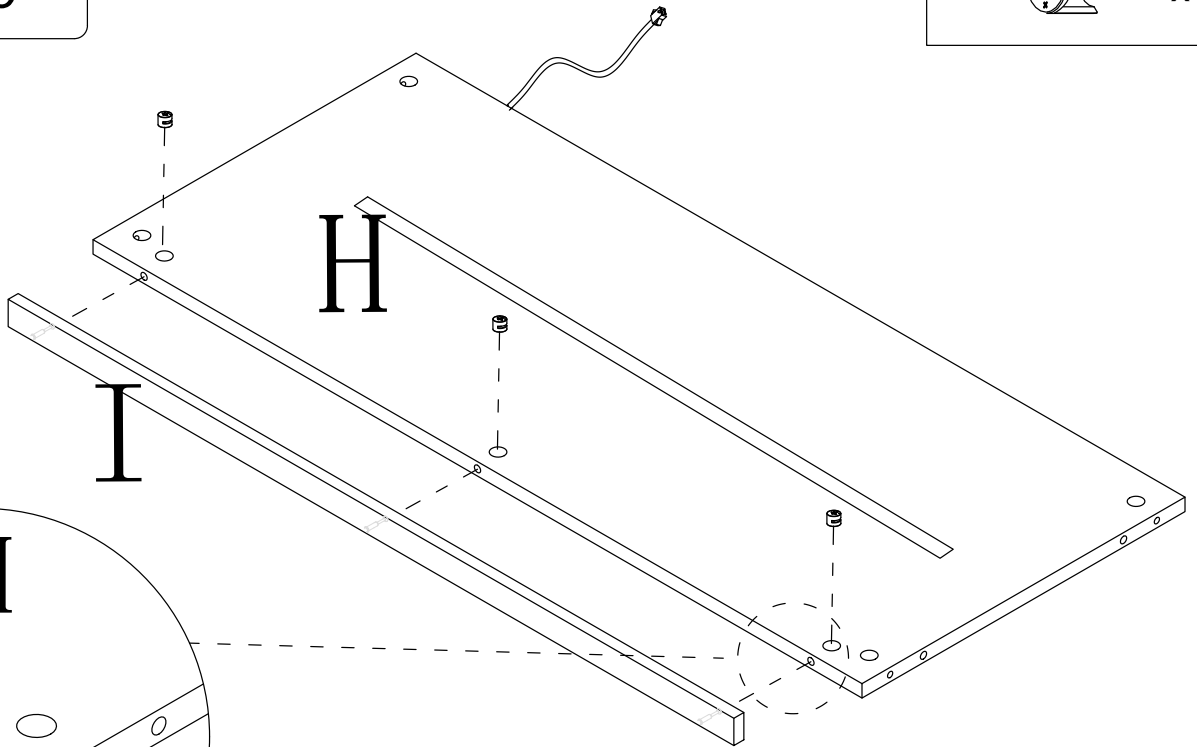


Step 9

2

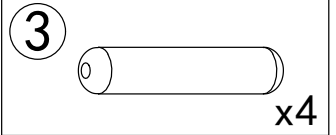
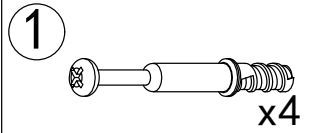
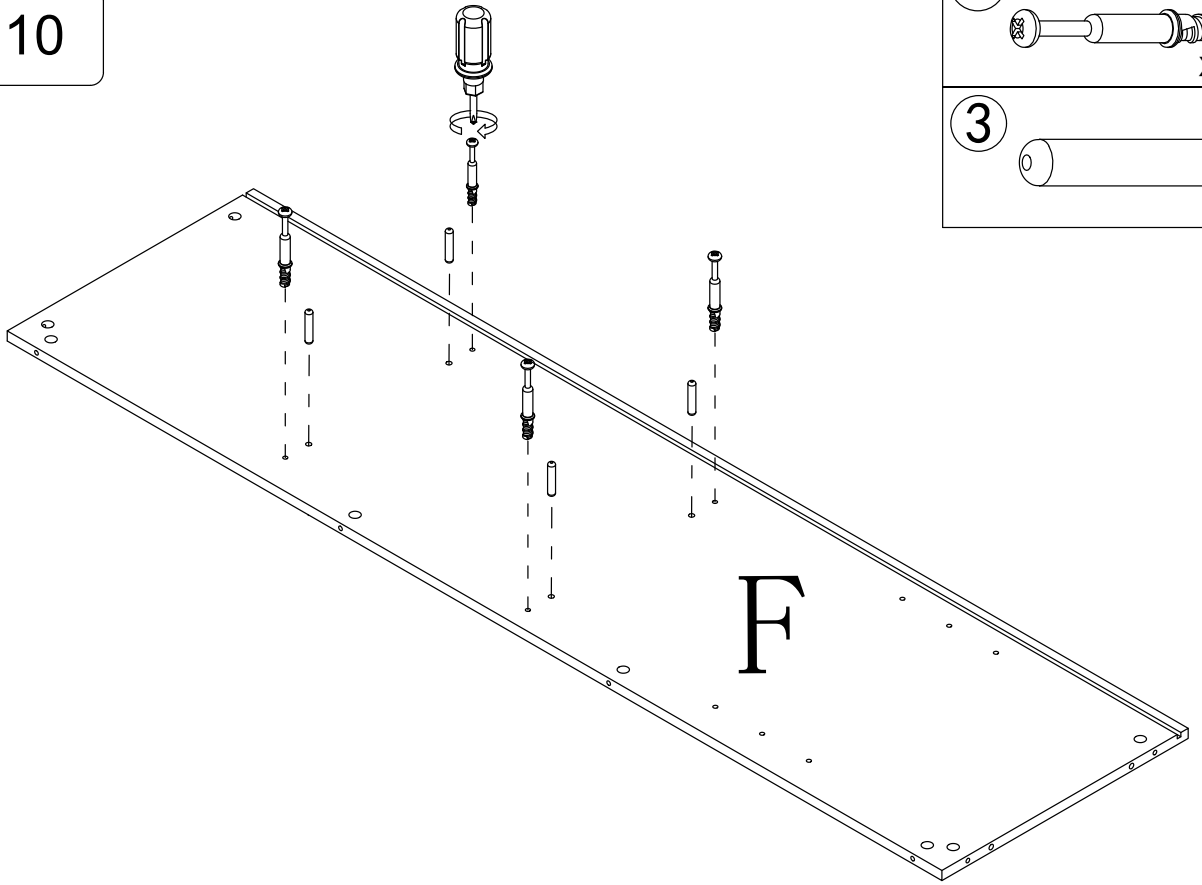


x3

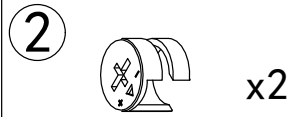
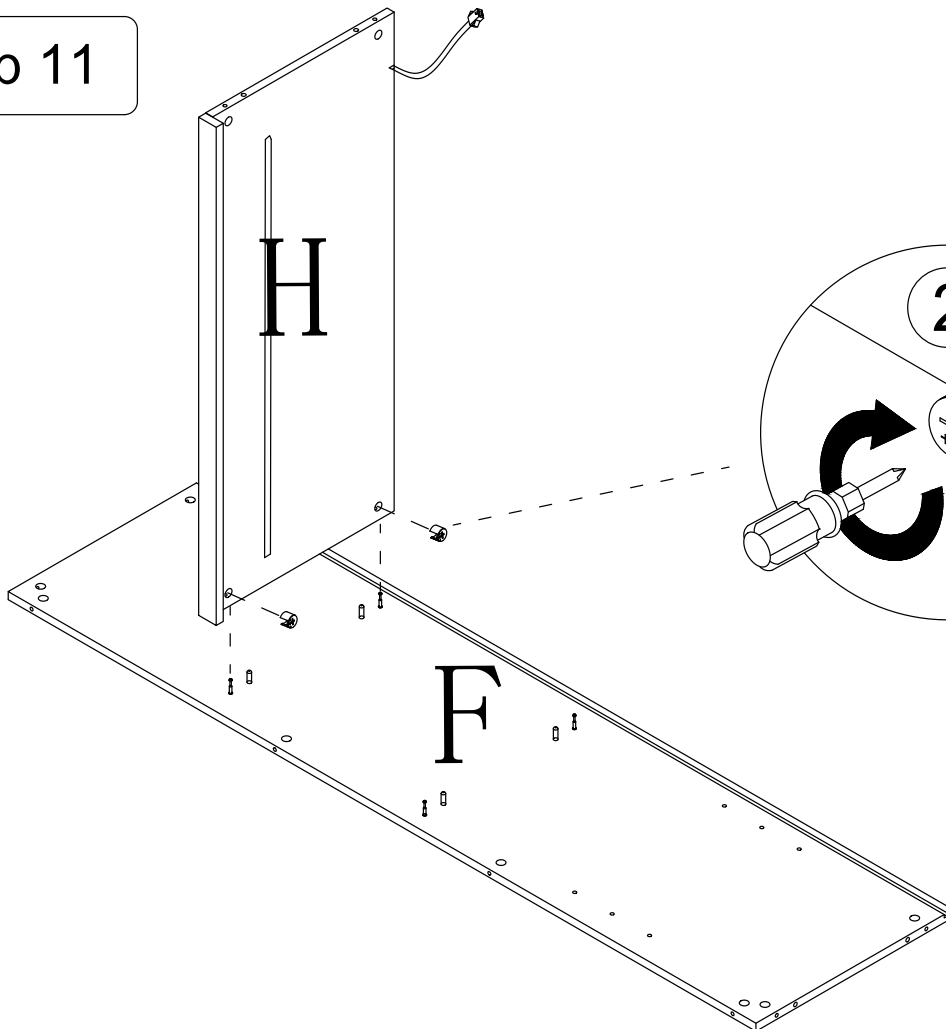


9

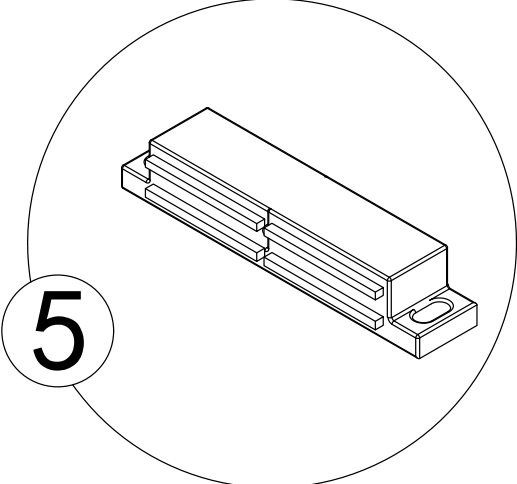
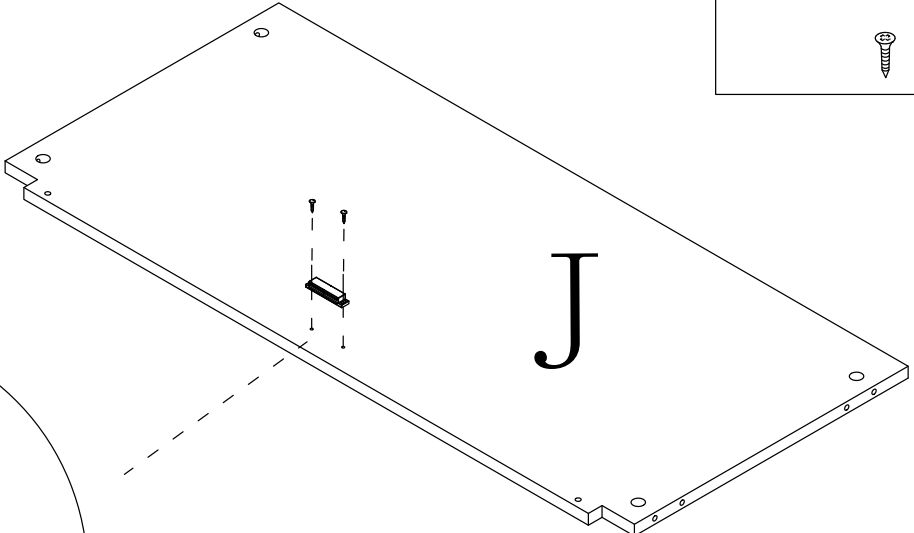
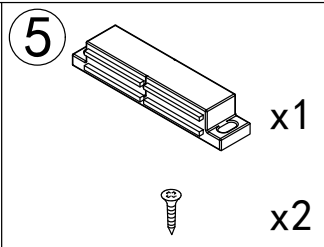
Step 10



Step 11

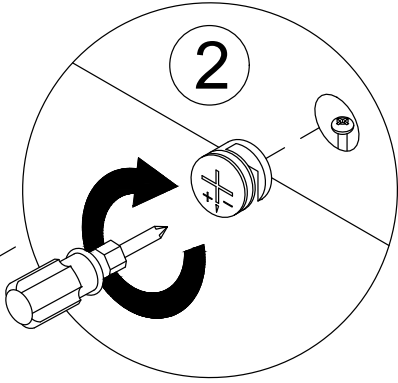
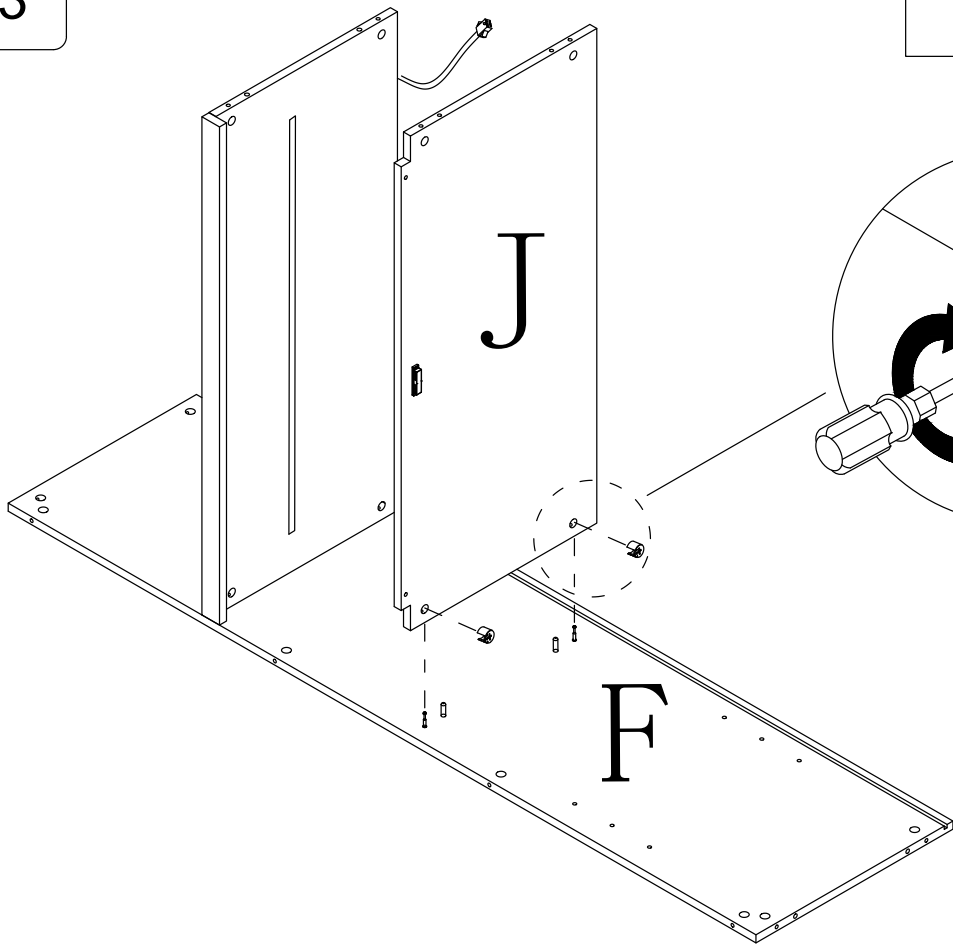
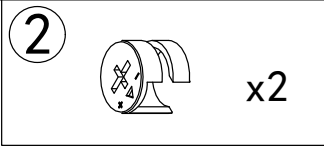


Step 12



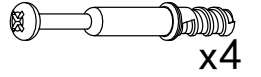
Pay attention to magnets' orientation

Step 13

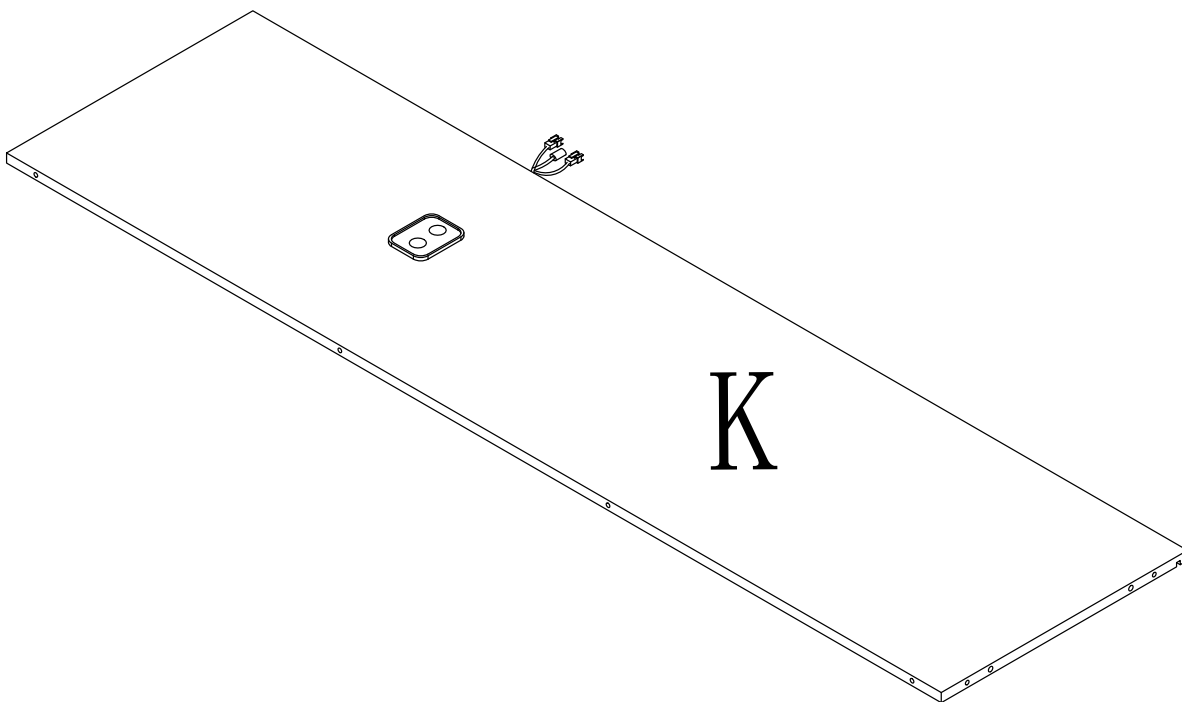
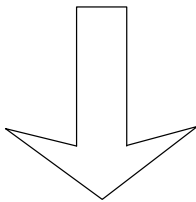
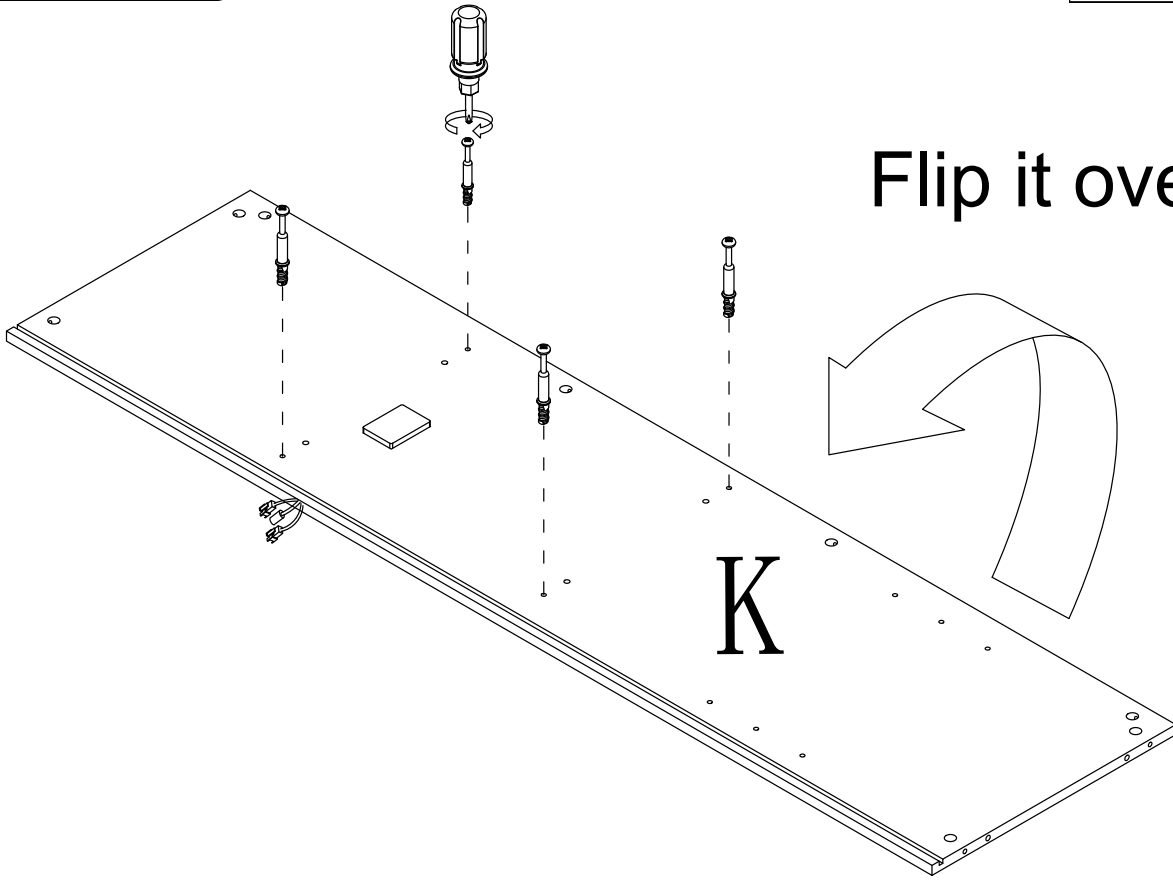


Step 14



1



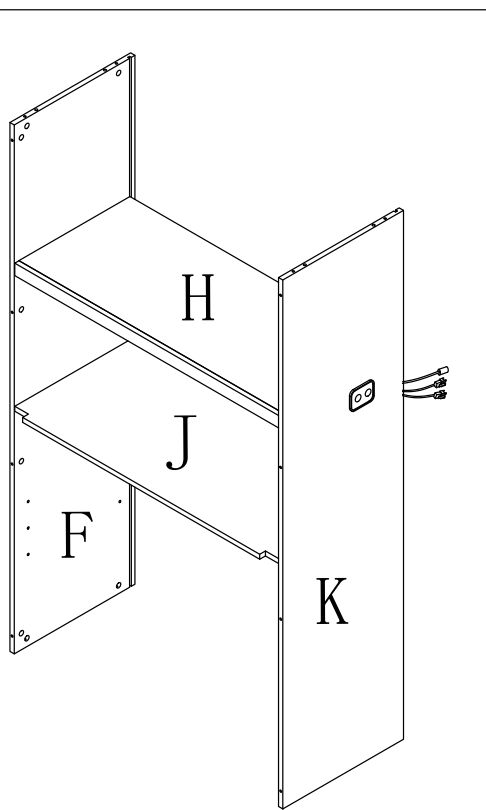
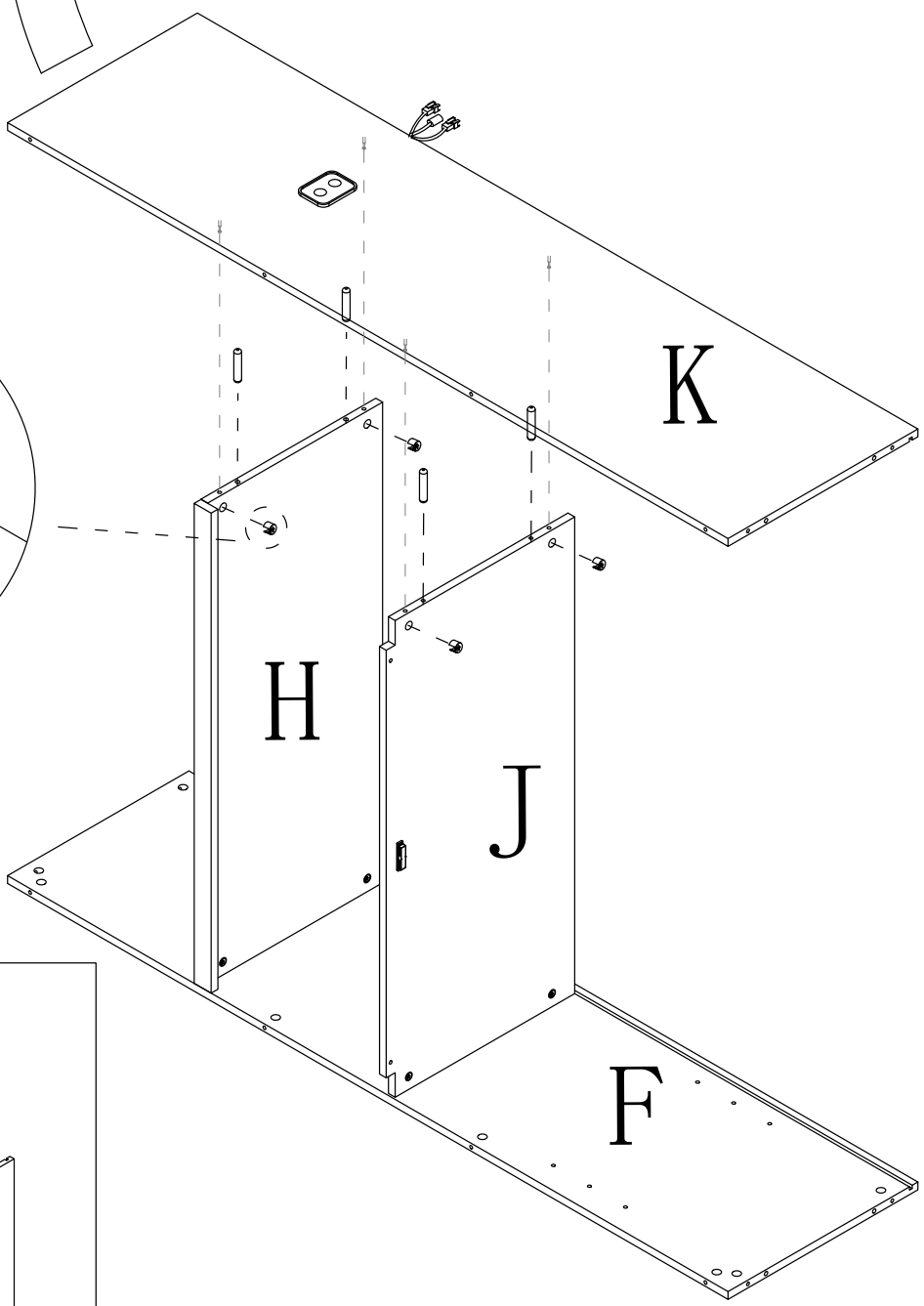
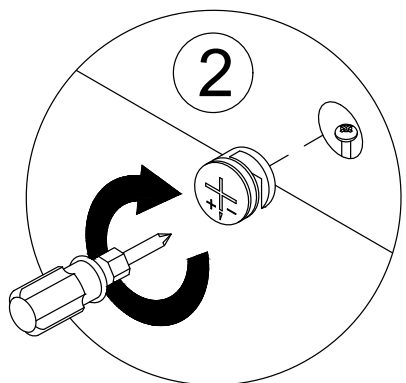
Flip it over




Step 15

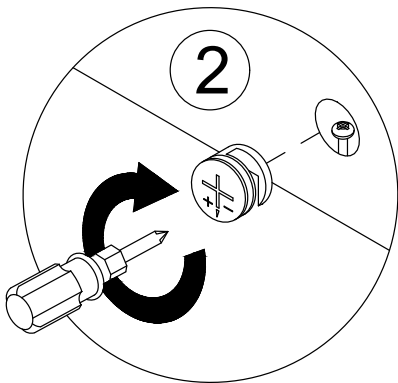
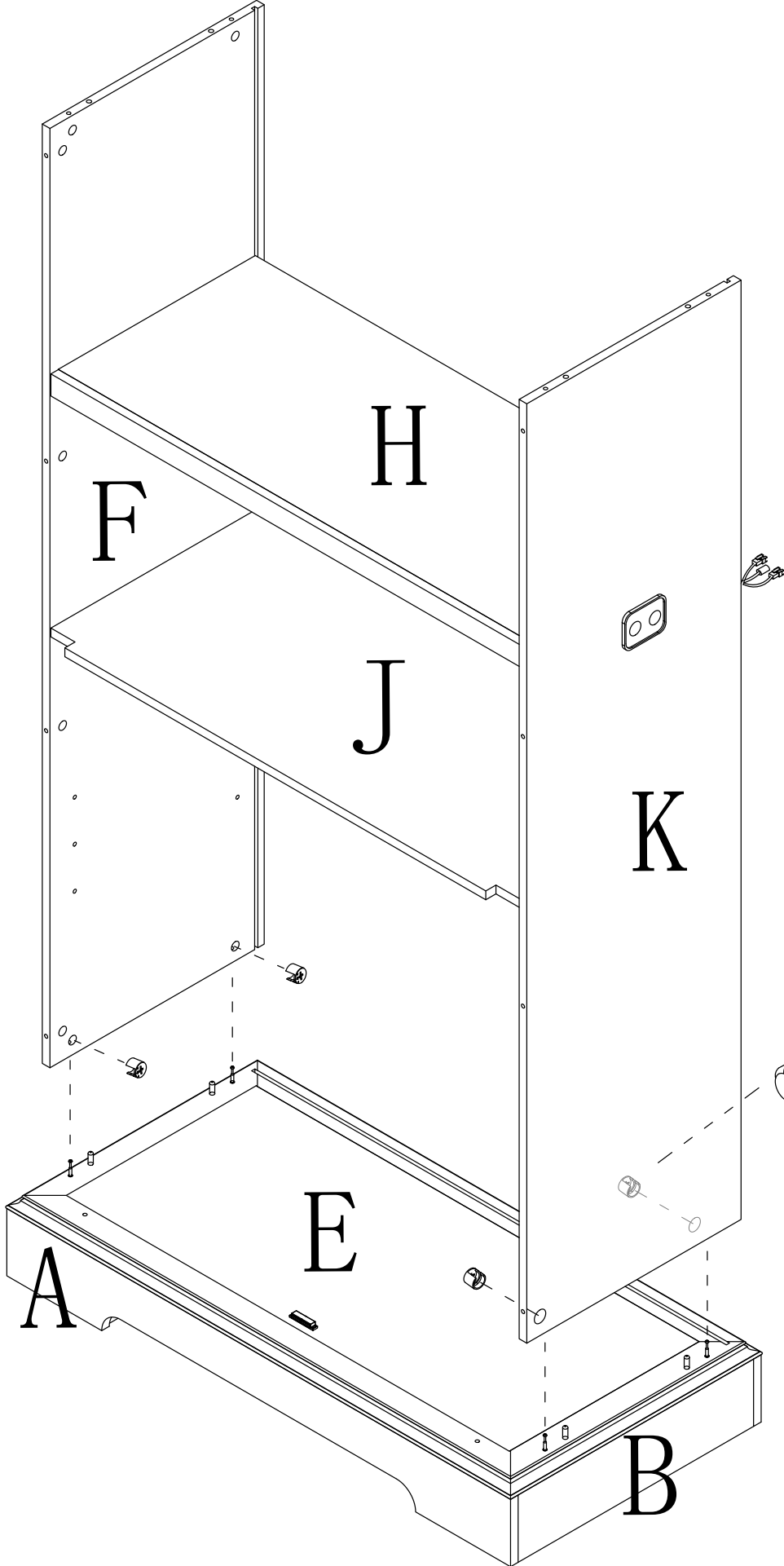
- ②  x4
- ③  x4

Lift it up



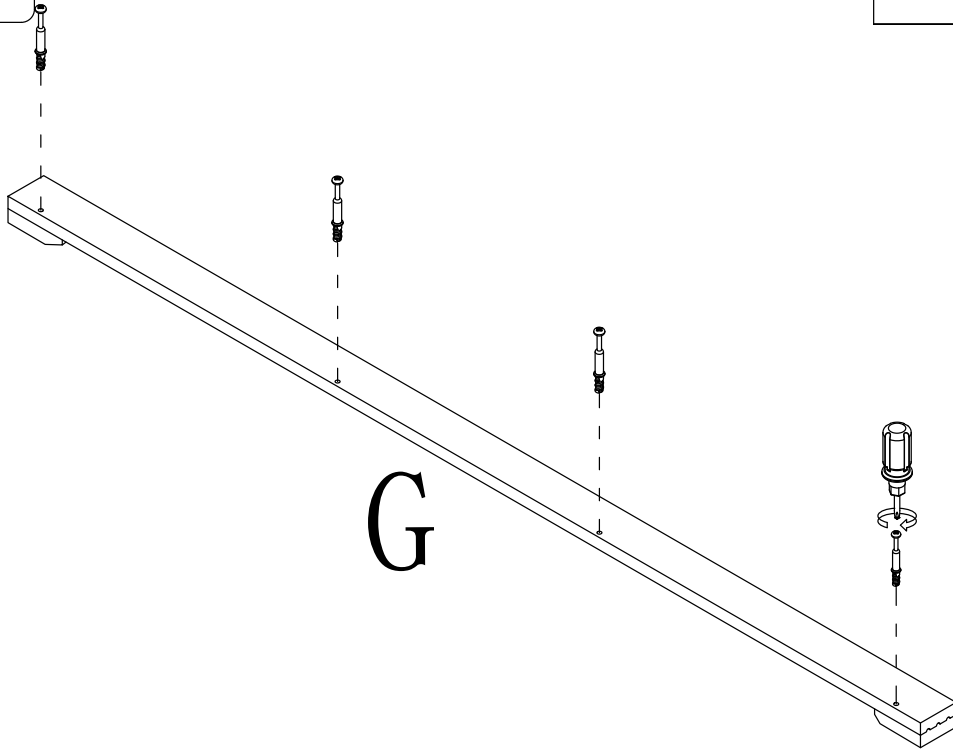
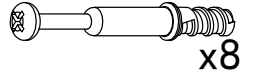
Step 16

2  x4



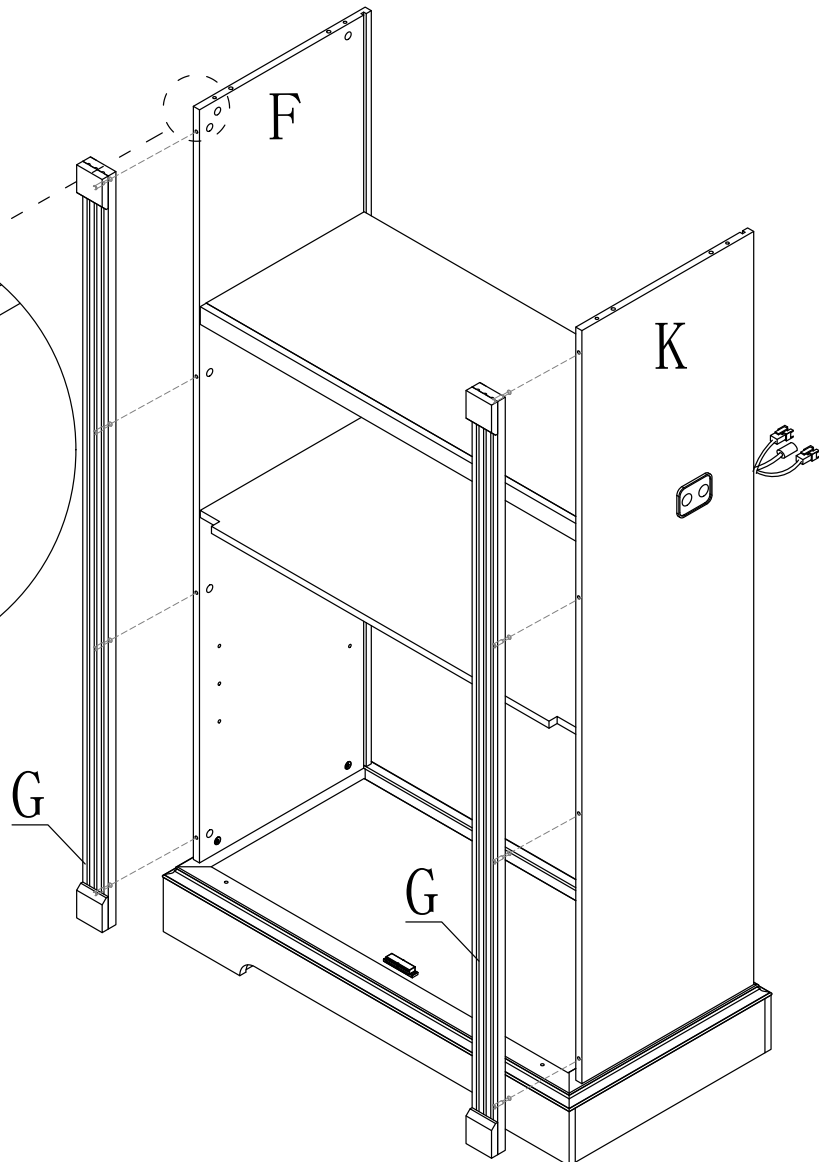
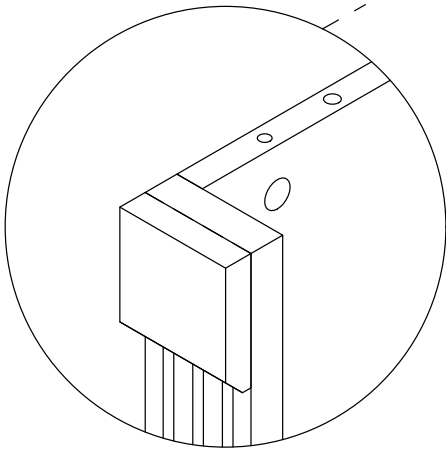
Step 17

1




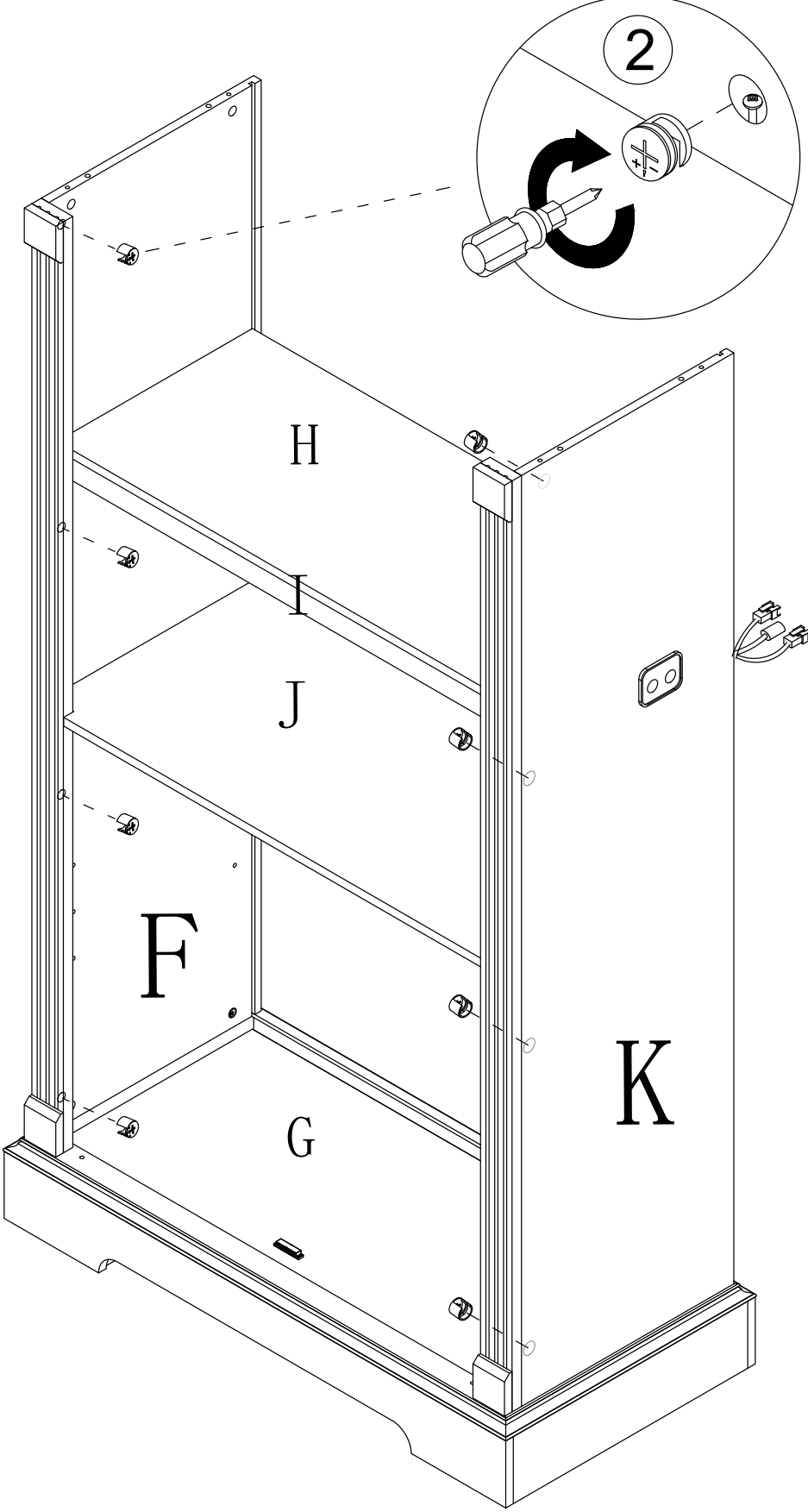
G
x2

Step 18



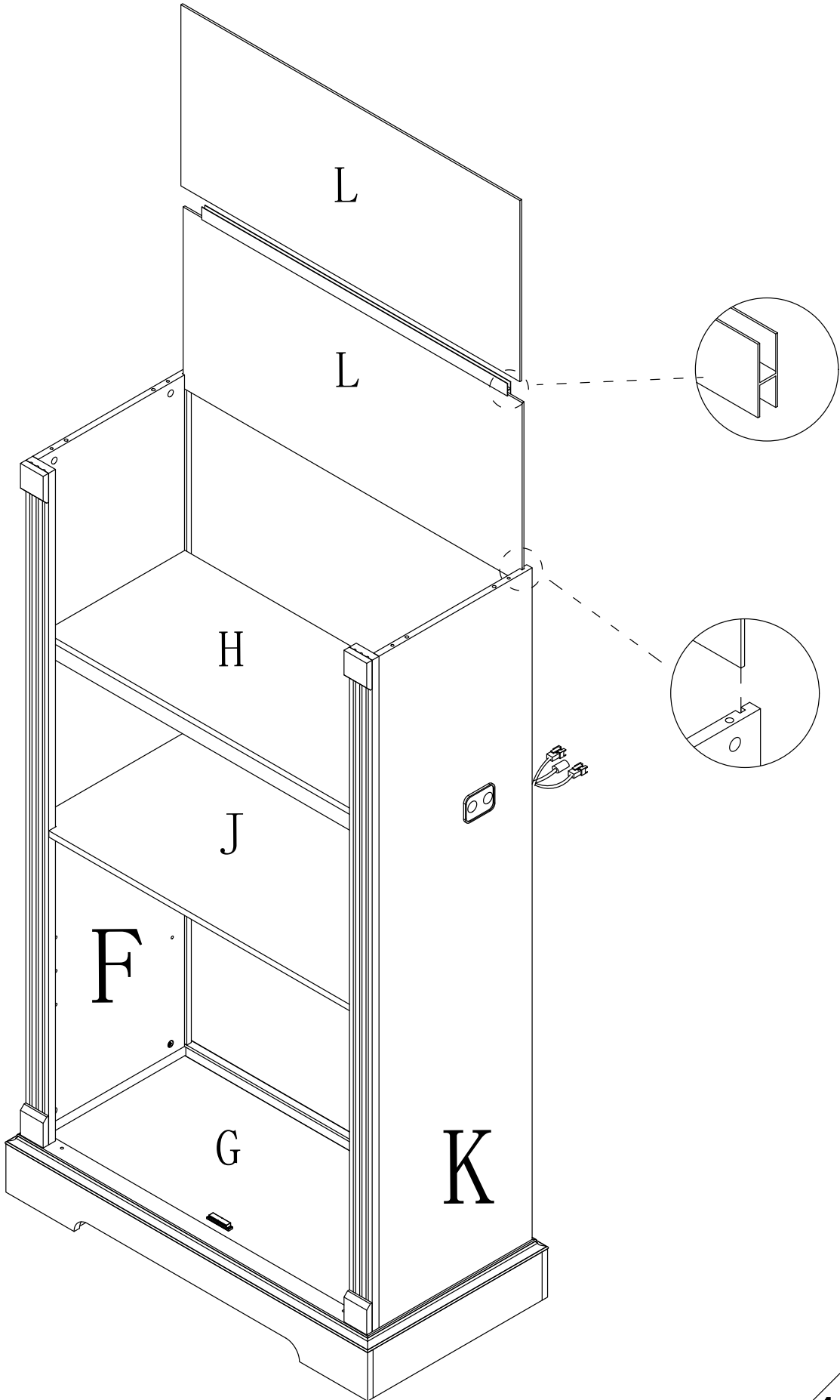
Step 19

2  x8

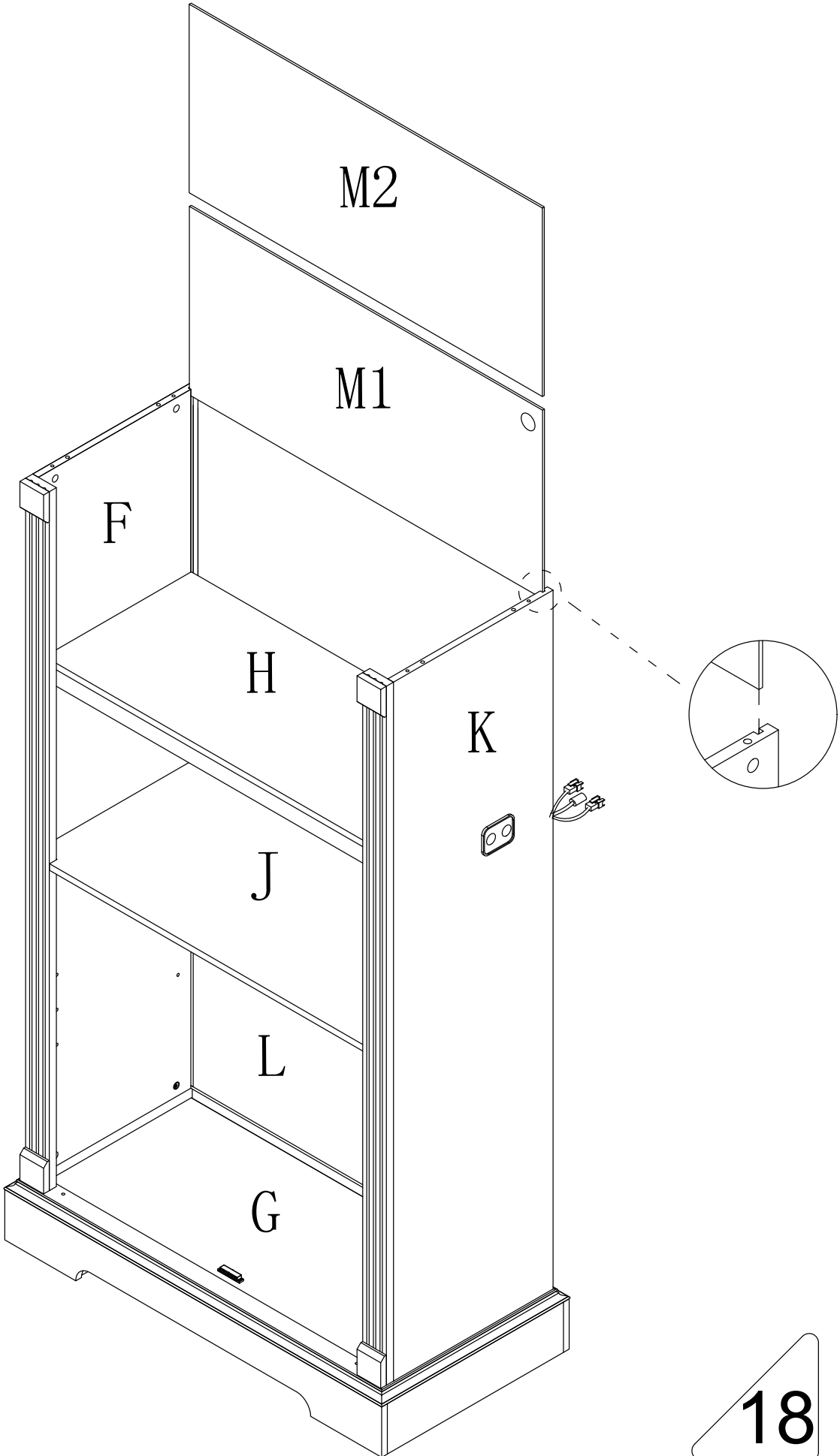


Step 20

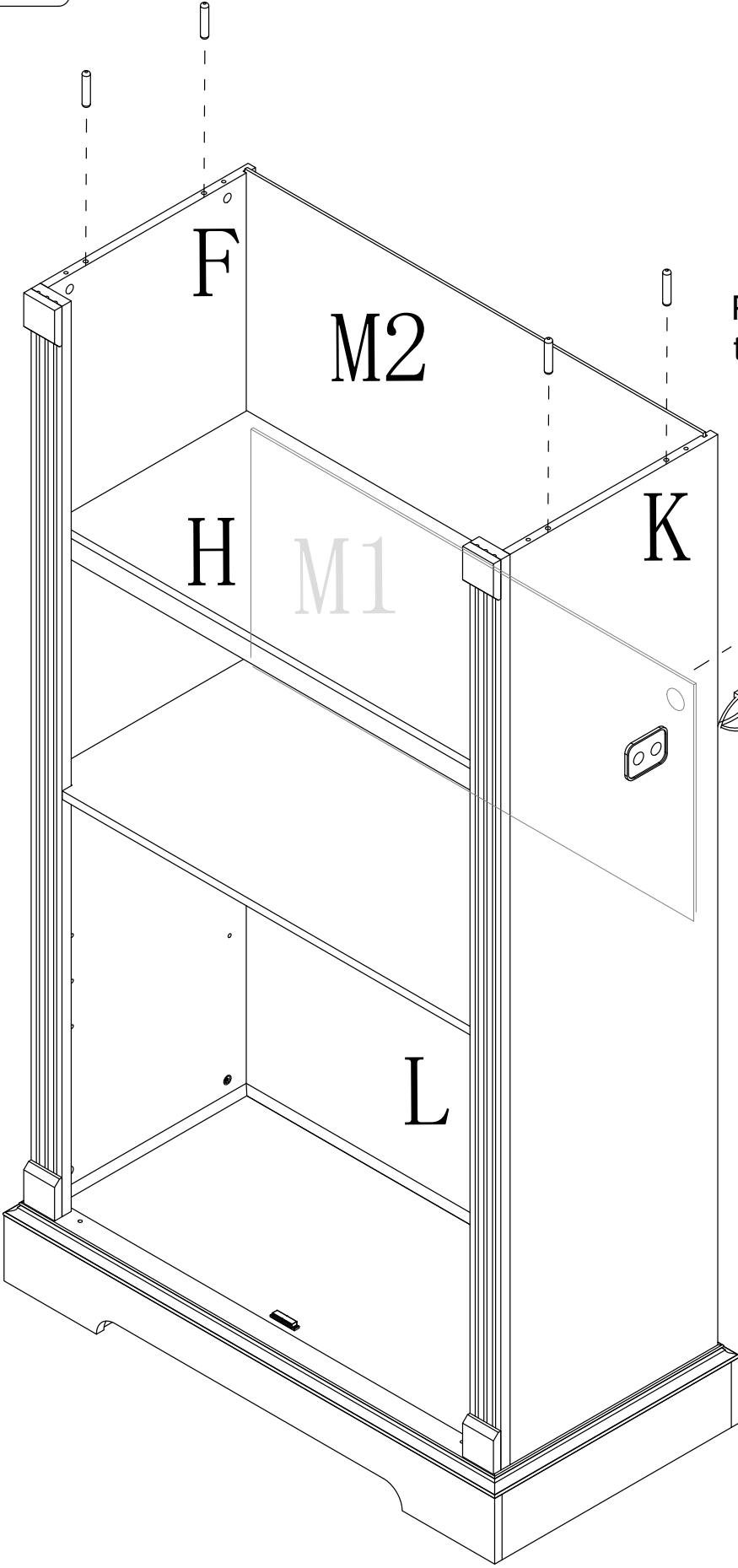
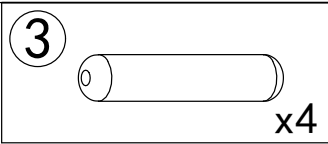
6 x1



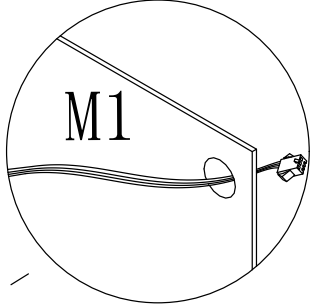
Step 21



Step 22

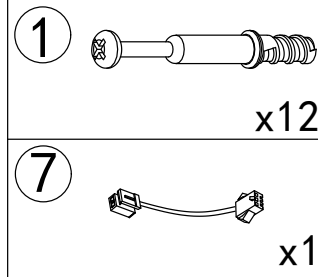
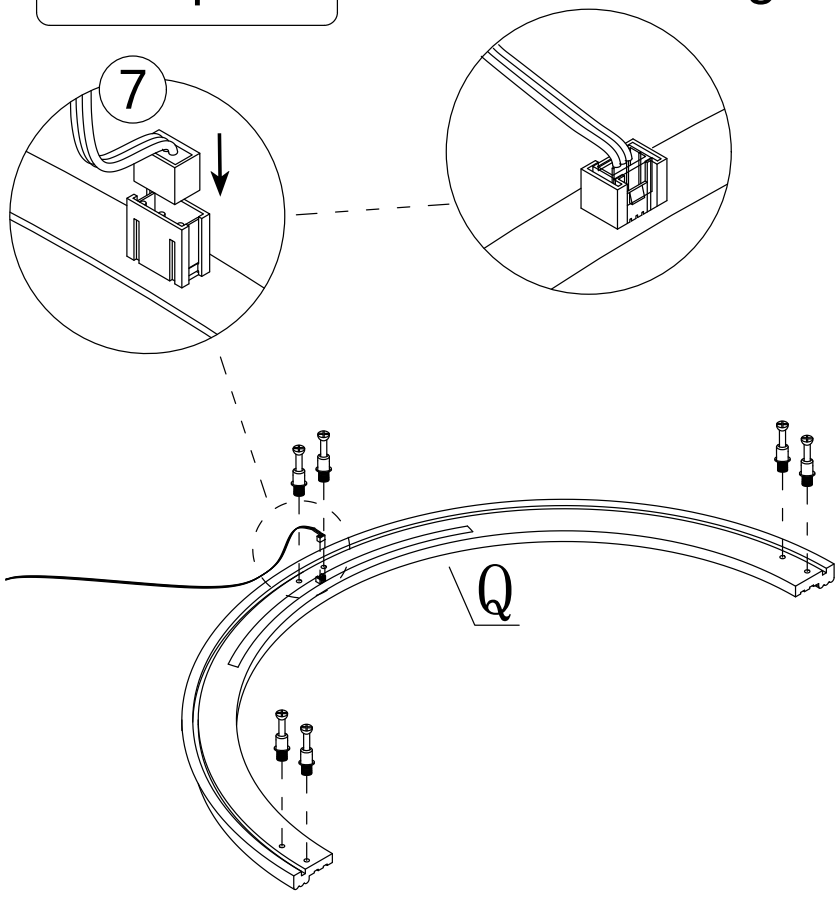


Passing through the hole of plate M1



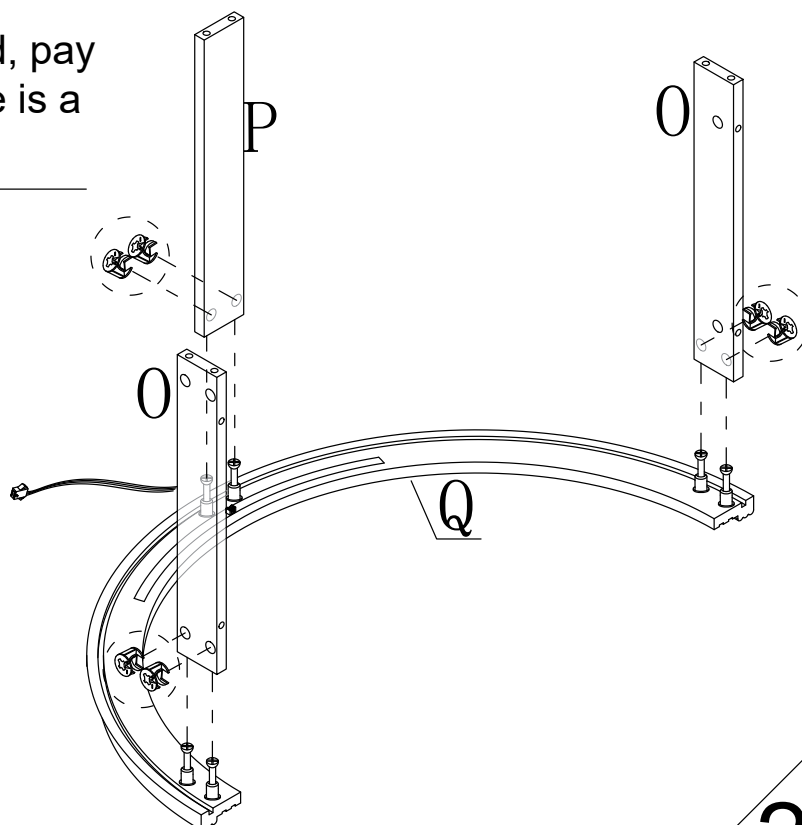
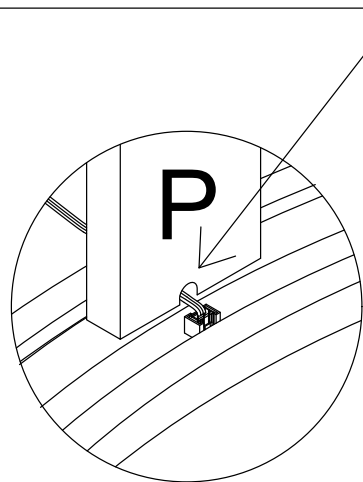
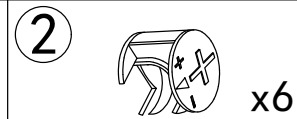
Step 23

Connect the light cable socket

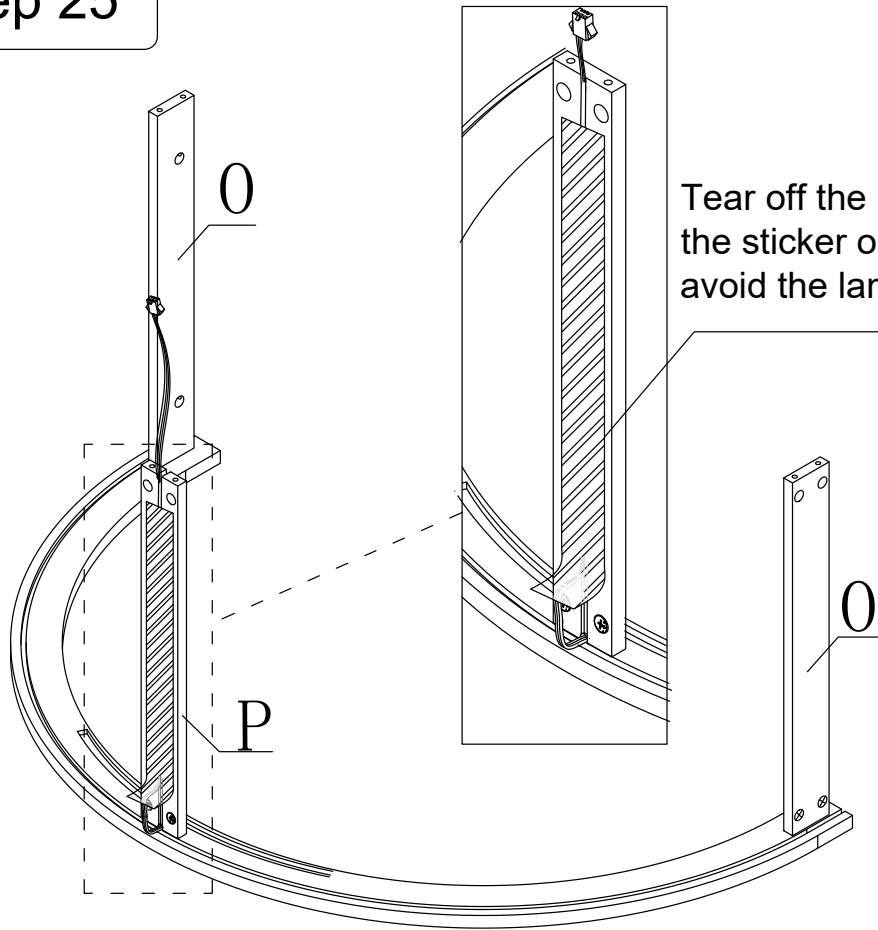
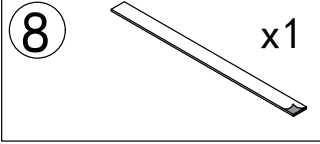


Step 24

Note: When installing the P board, pay attention to the place where there is a gap and install it on the Q board.



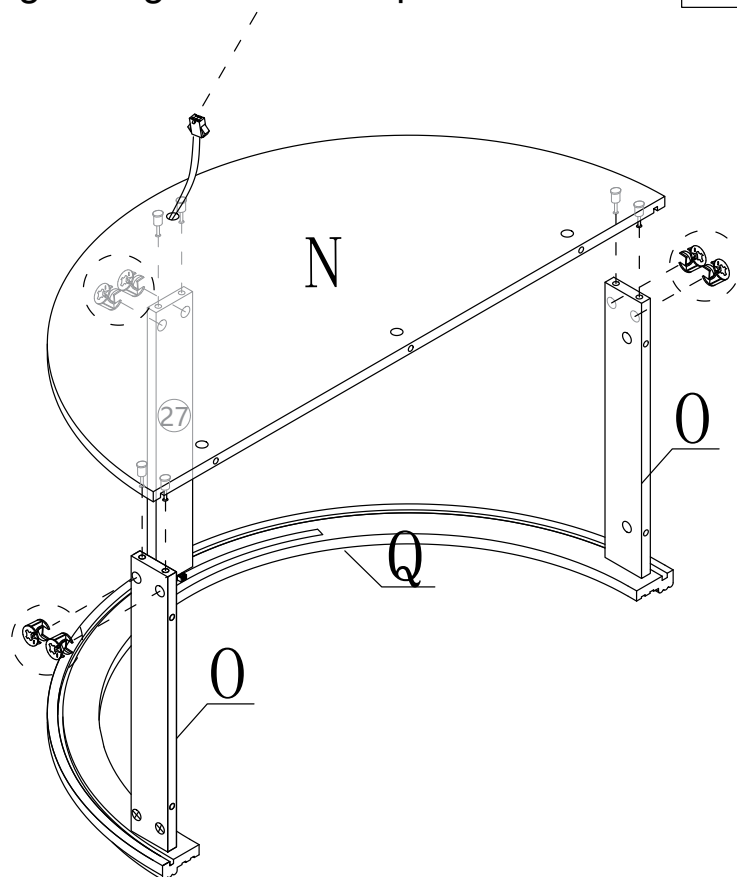
Step 25



Tear off the release paper and stick the sticker on the P-plate lamp slot to avoid the lamp wire from falling off.

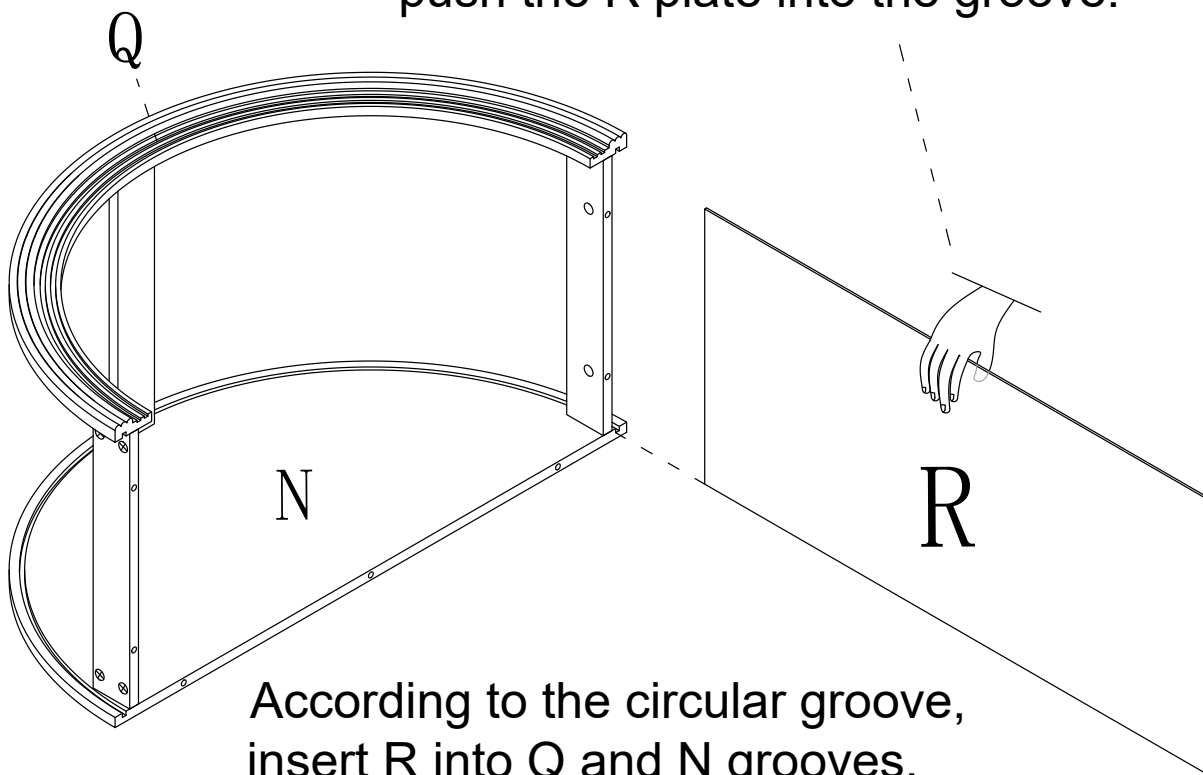
Step 26

Passing through the hole of plate N

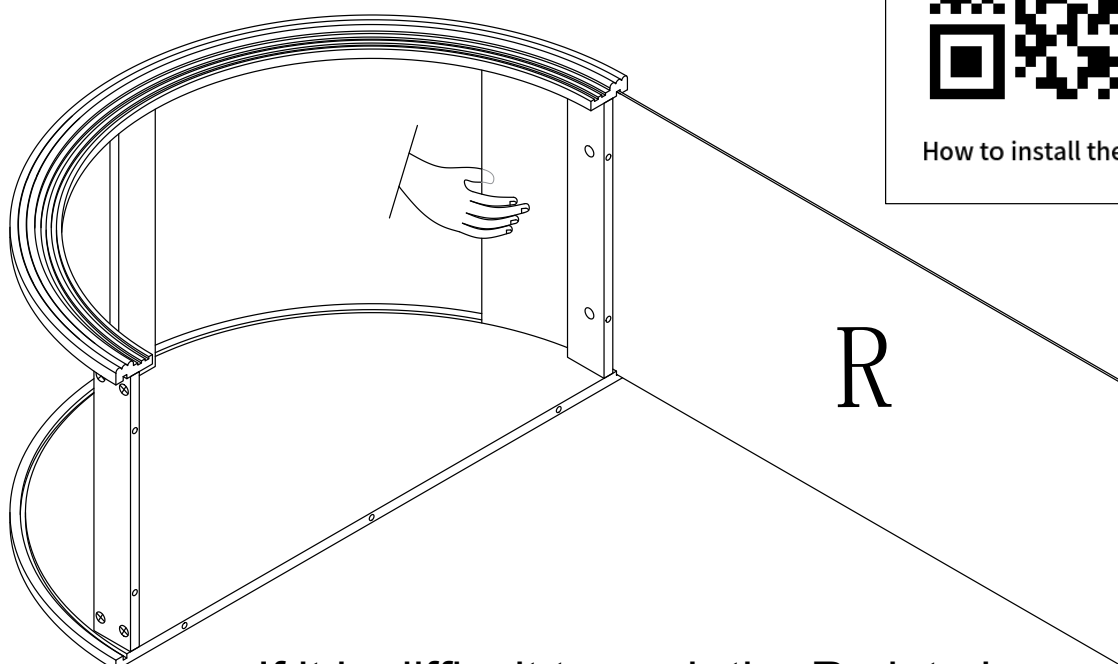


Step 27

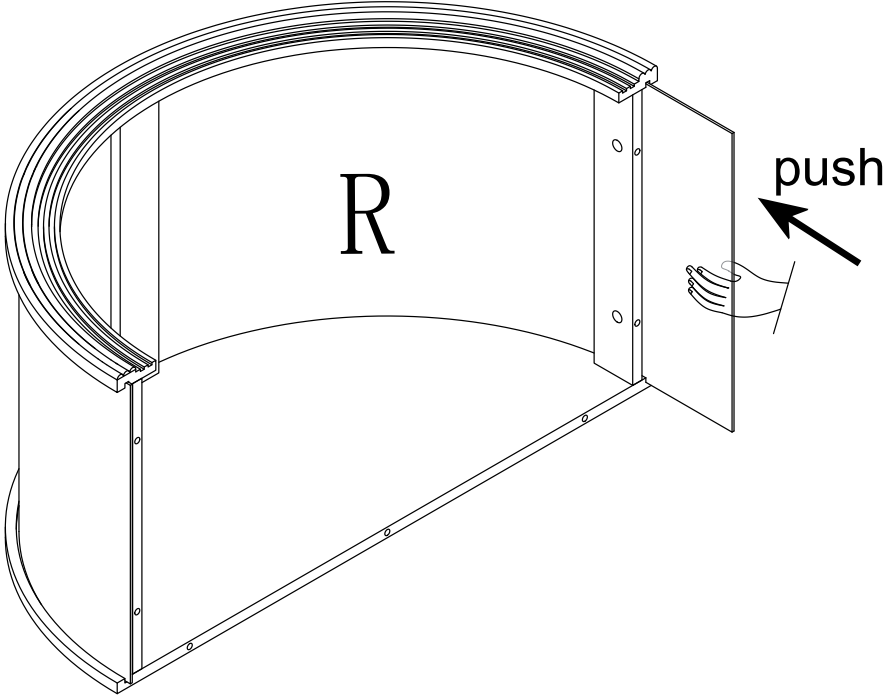
Note: When installing the R plate, push the middle of the R plate by hand to push the R plate into the groove.



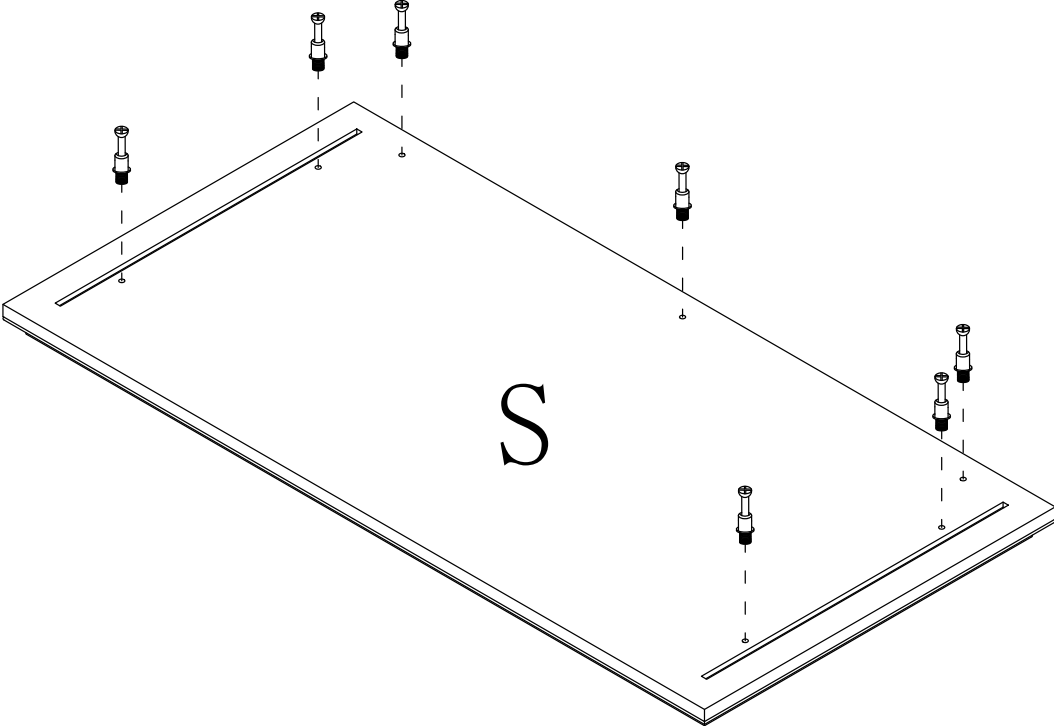
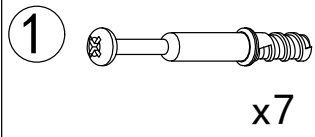
How to install the arched frame




Note:

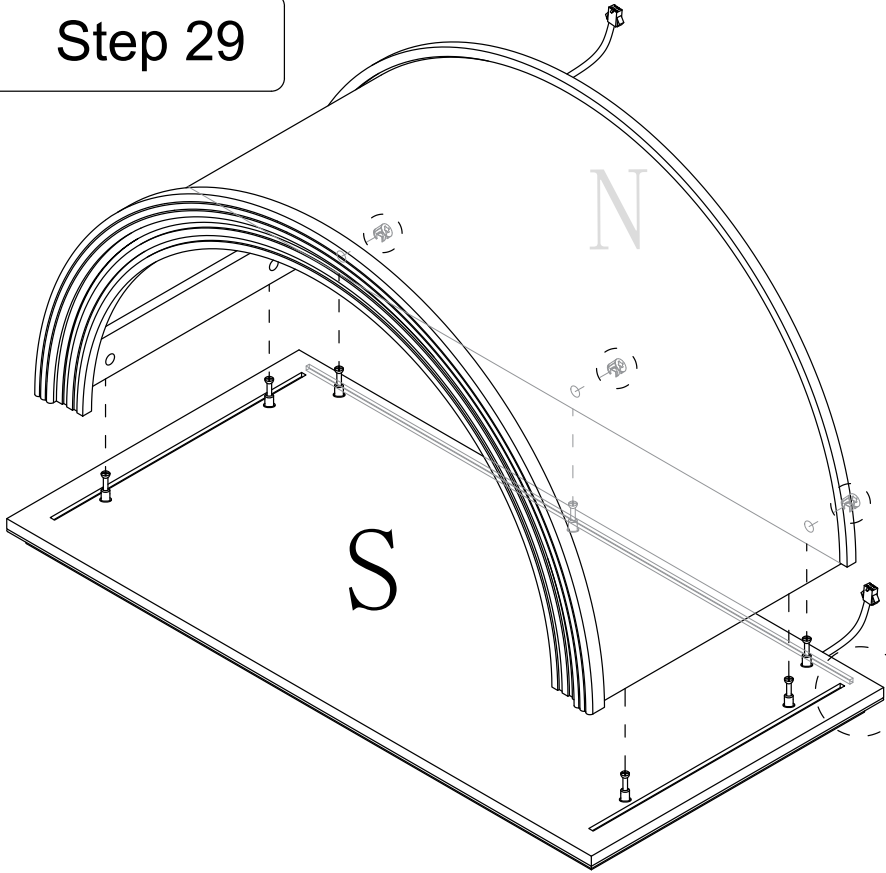


Step 28

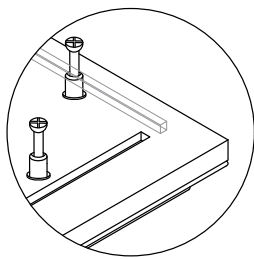



②  x3

Step 29

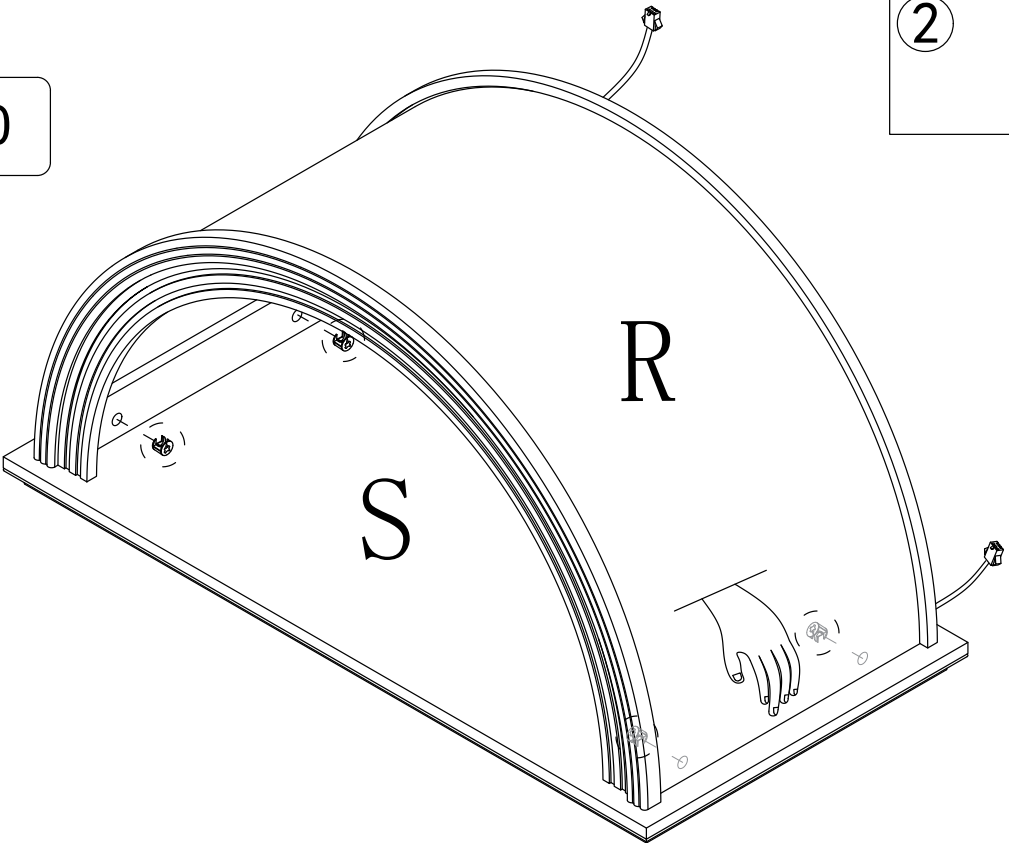


When installing the N plate, pay attention to the front and back, and there is a groove under the S plate.



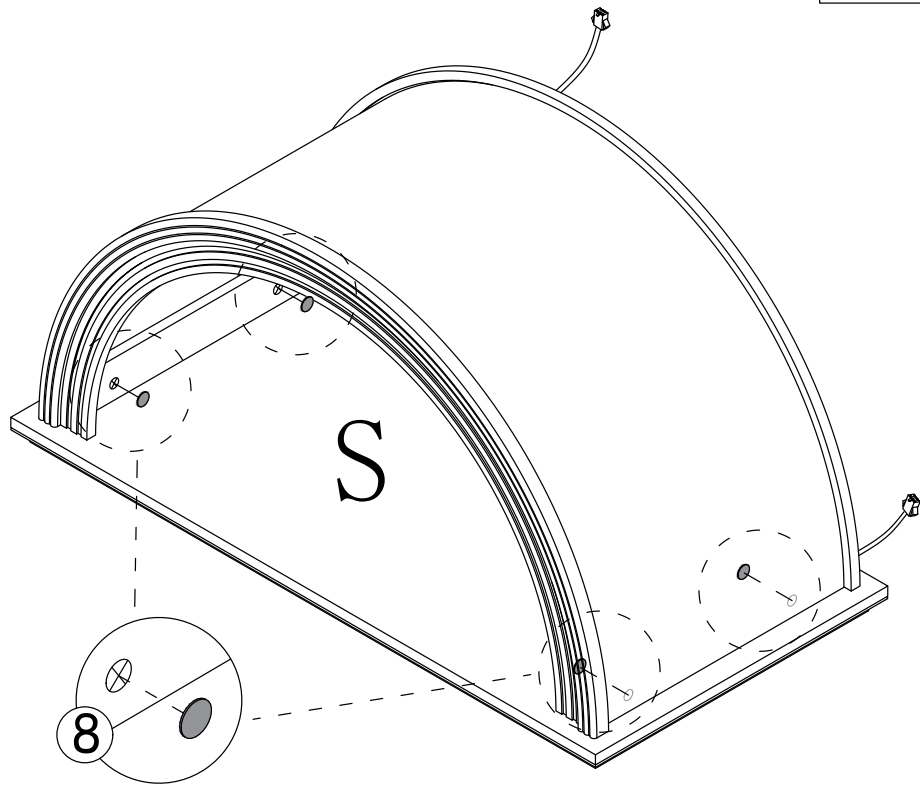
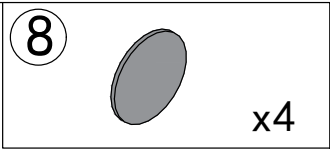
②  x4

Step 30

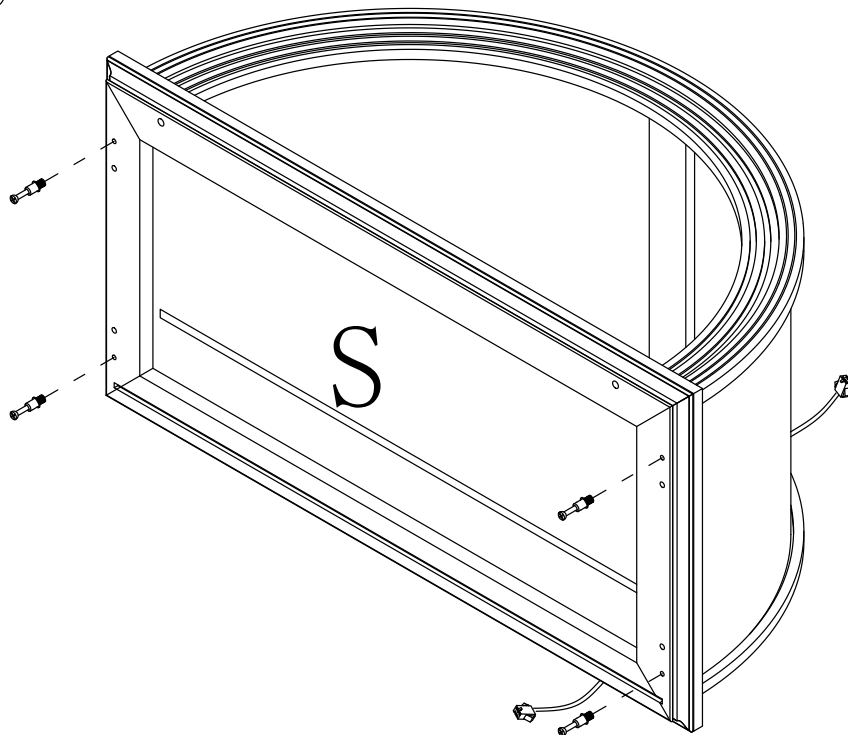
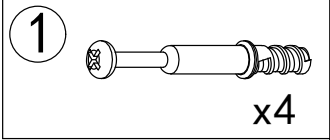


Note: After installing the S board, you need to pat the backboards on both sides into the grooves of the S board by hand. Then install the tightening nuts.


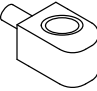
Step 31

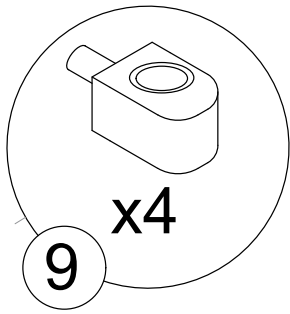
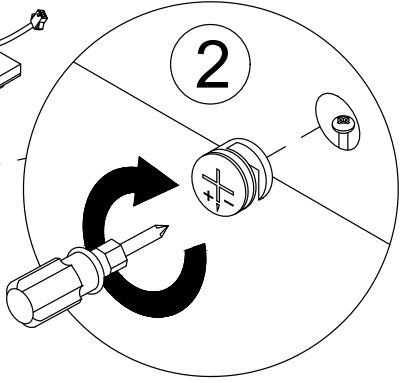
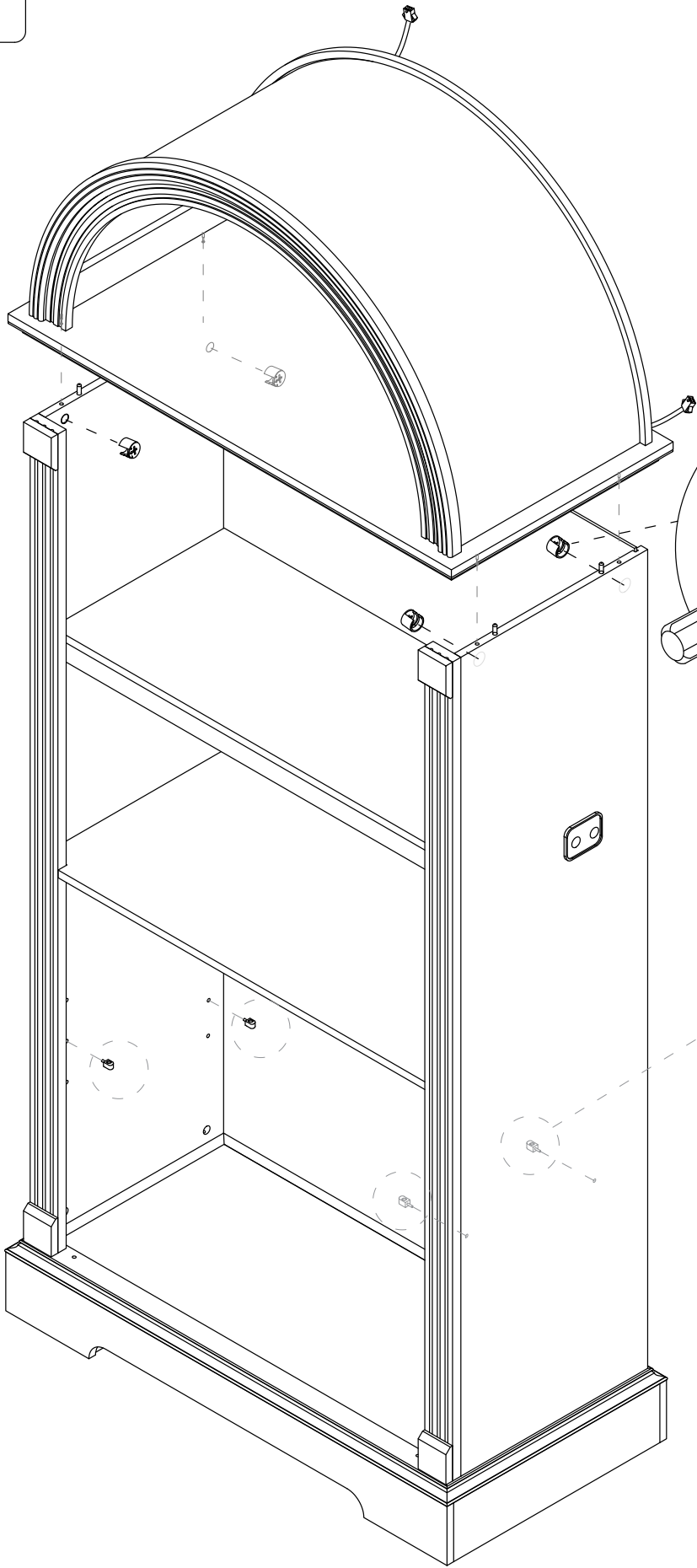


Step 32

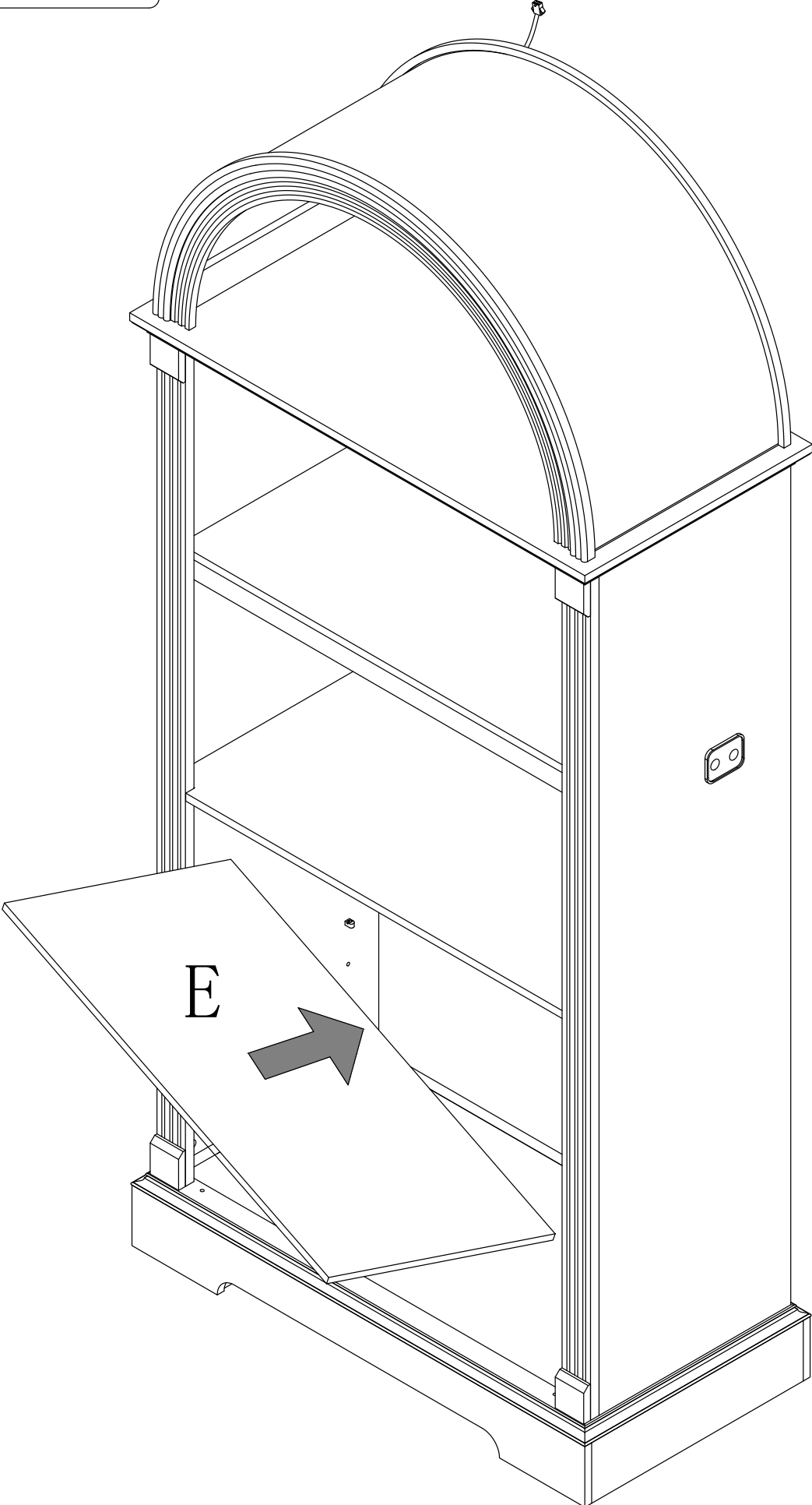


Step 33

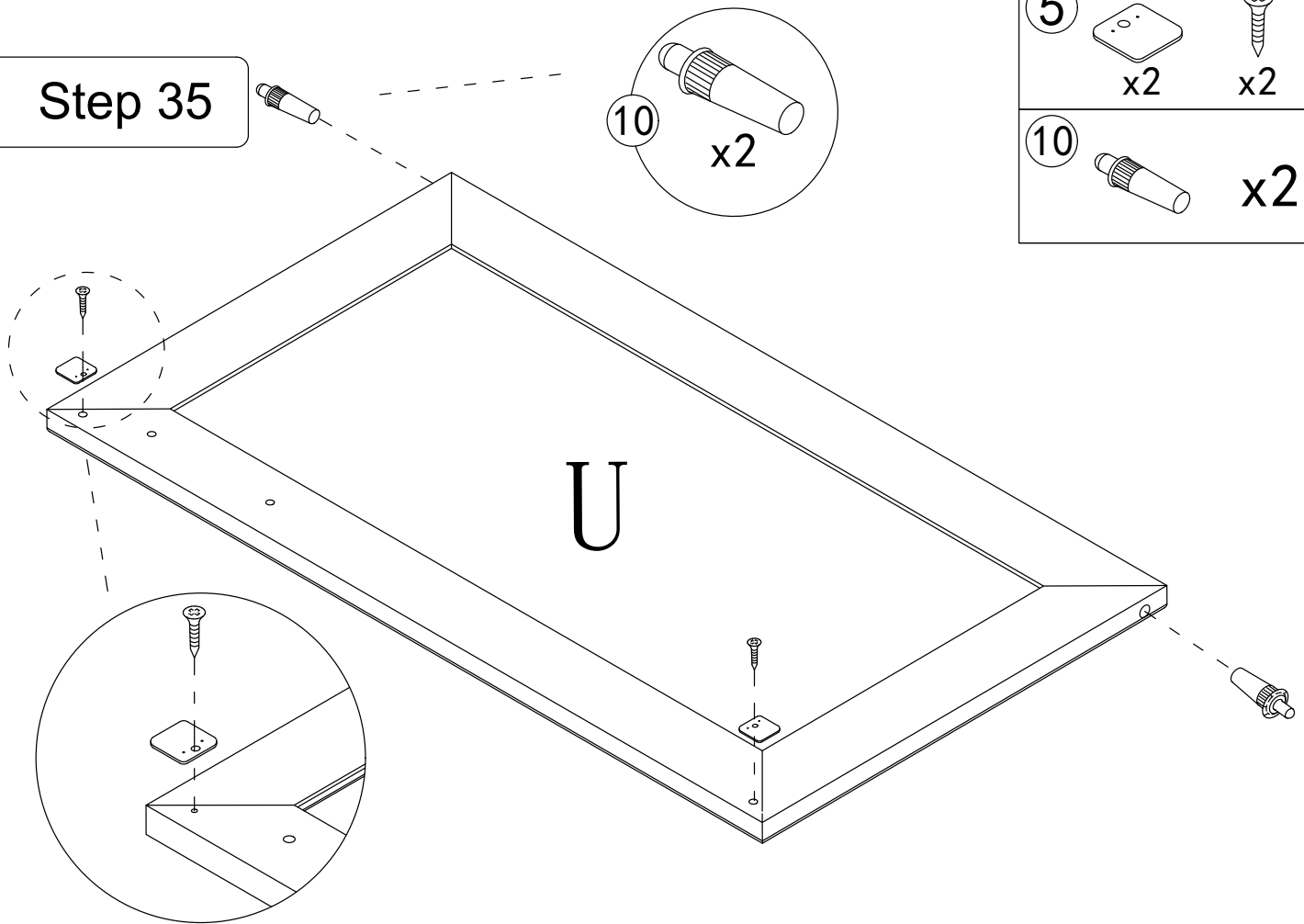
- 2  x4
- 9  x4



Step 34

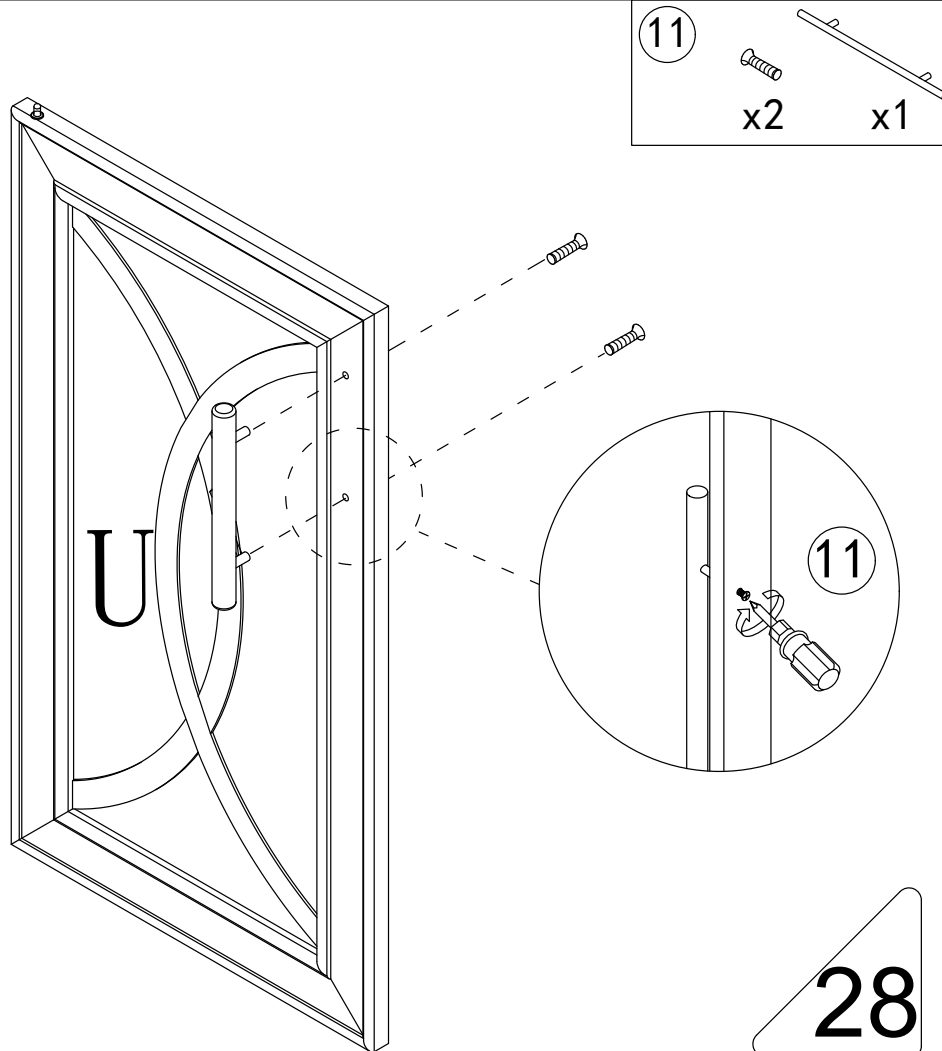


Step 35





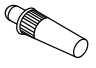
- 5 x2
- x2
- 10 x2
- 10 x2

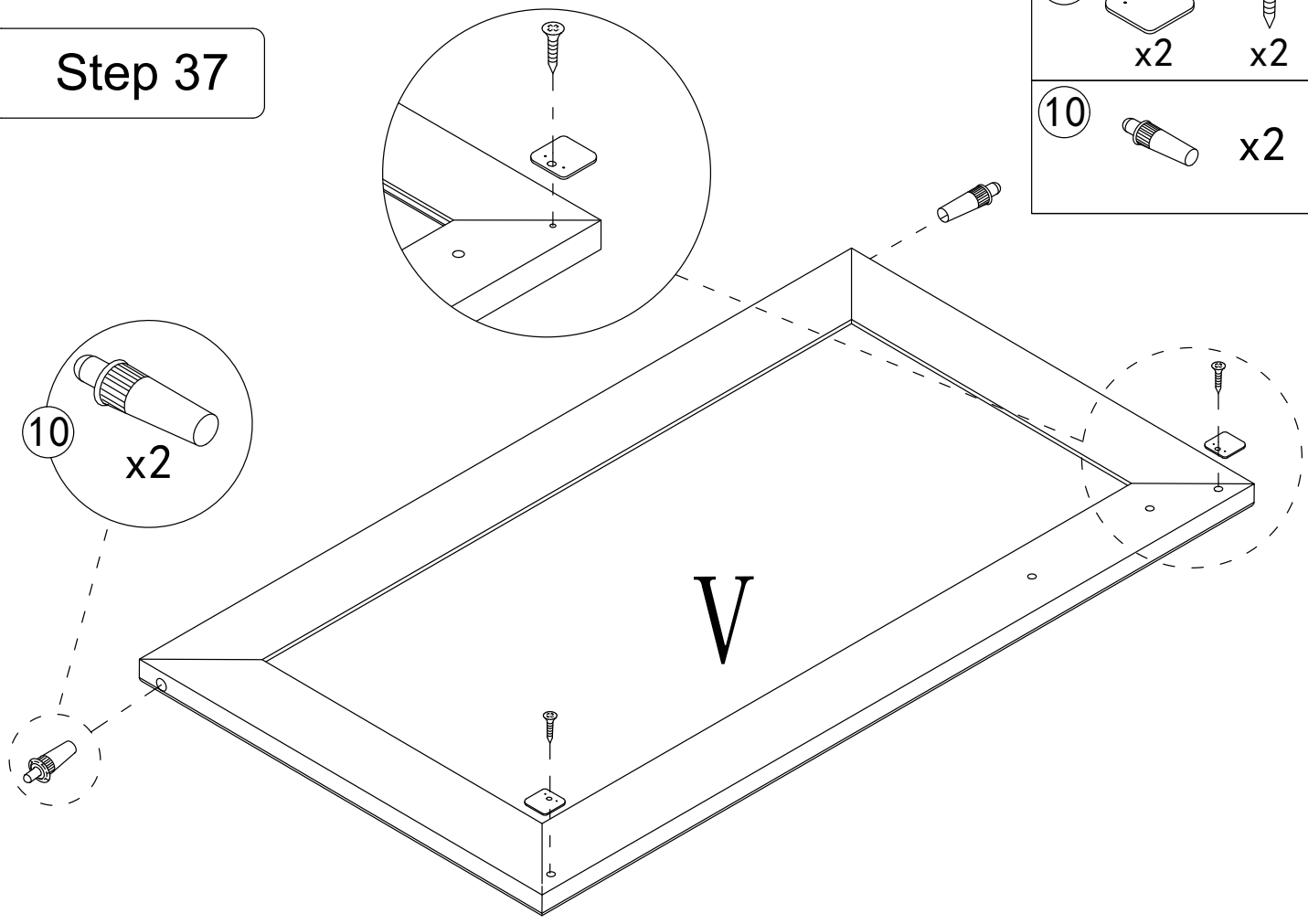
Step 36




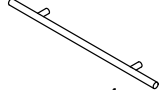
- 11 x2
- 11 x1

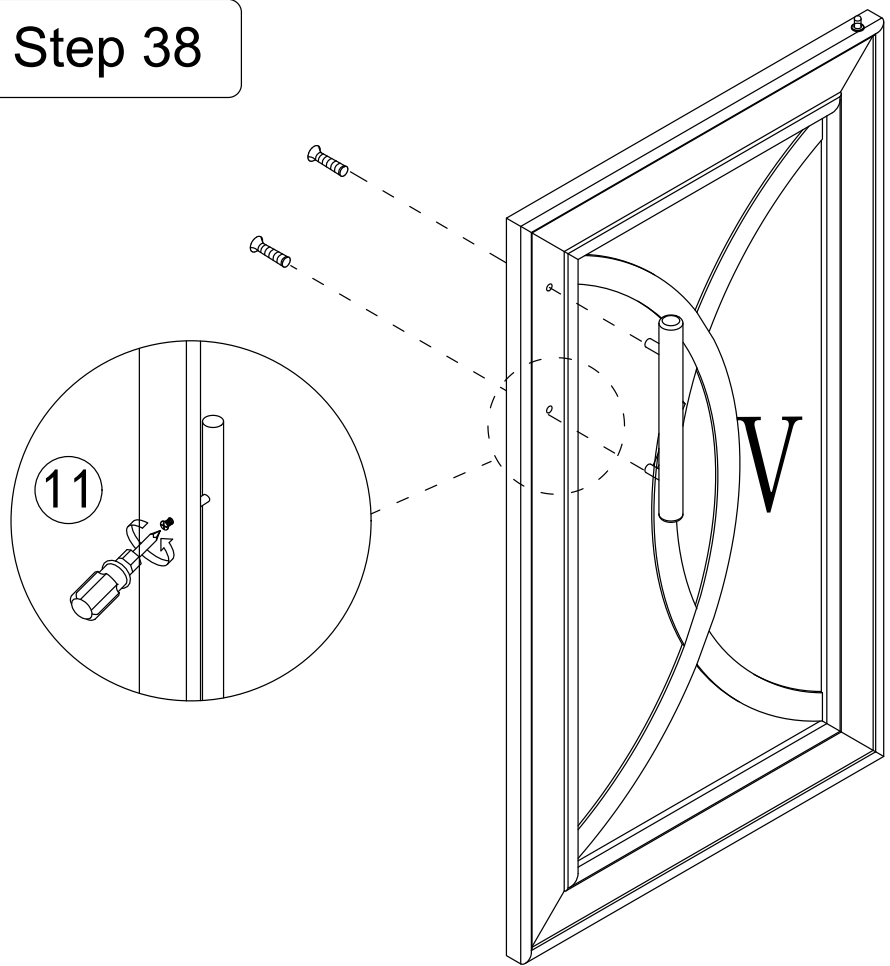
Step 37

- 5  x2  x2
- 10  x2

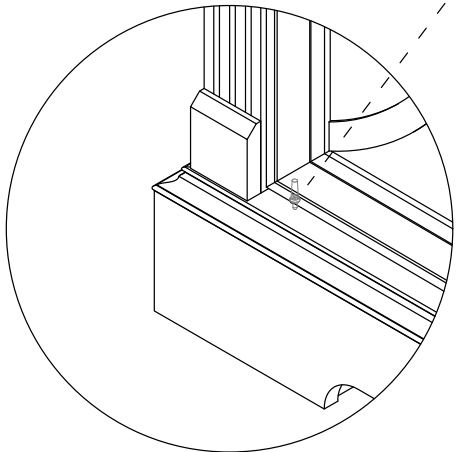
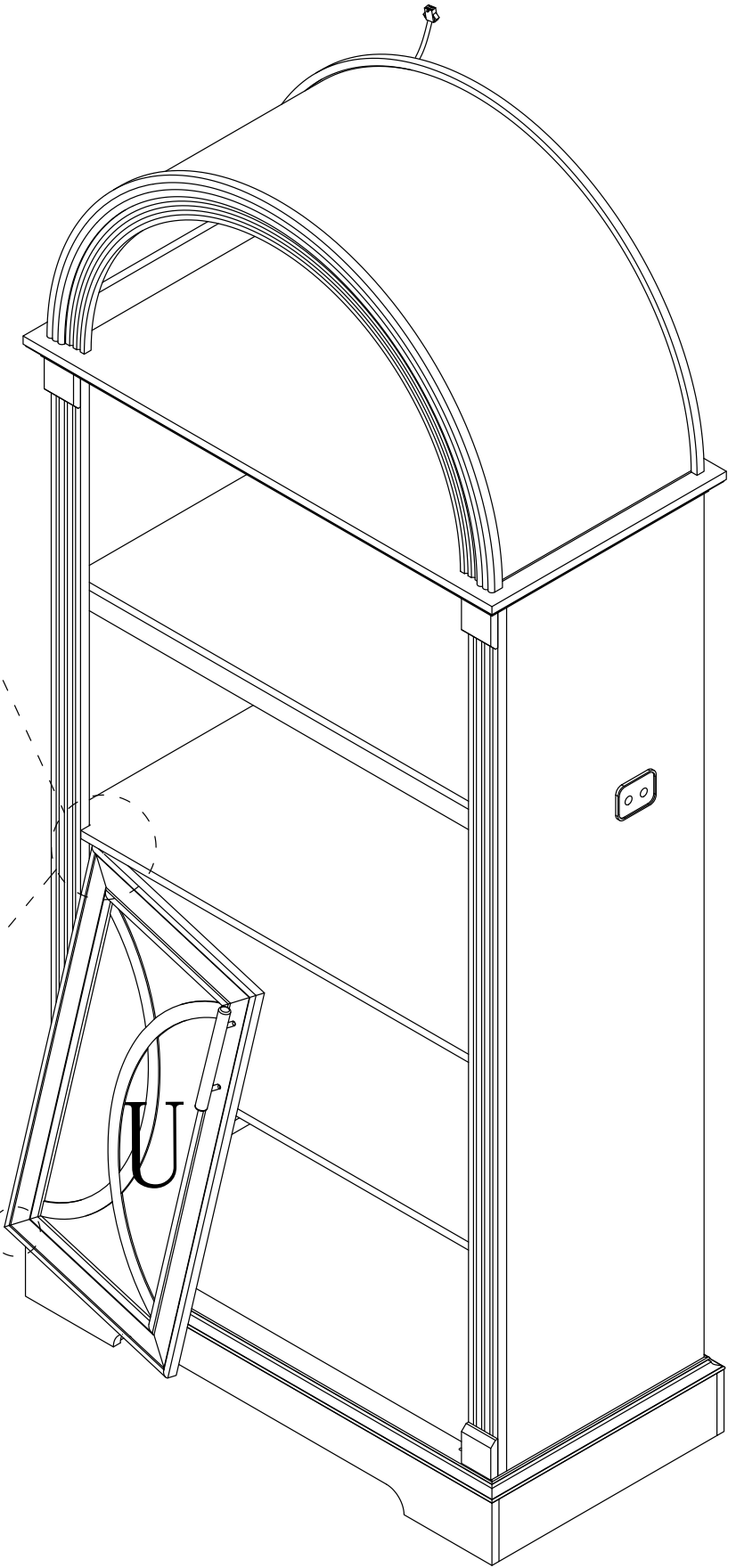
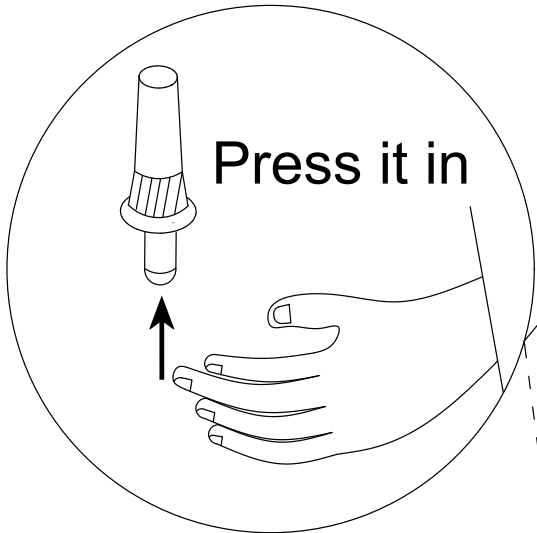
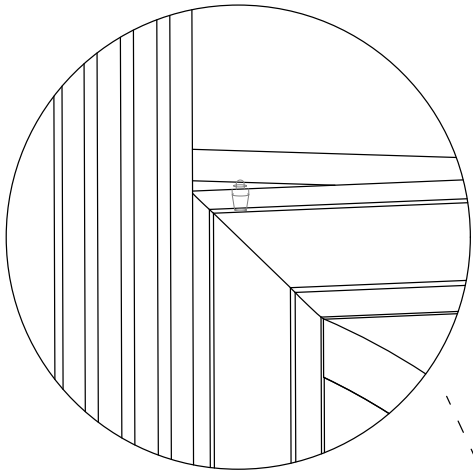


Step 38

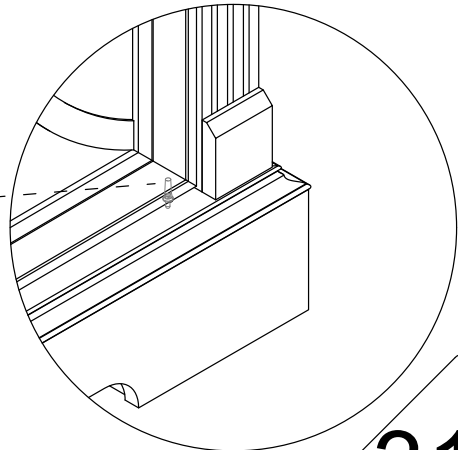
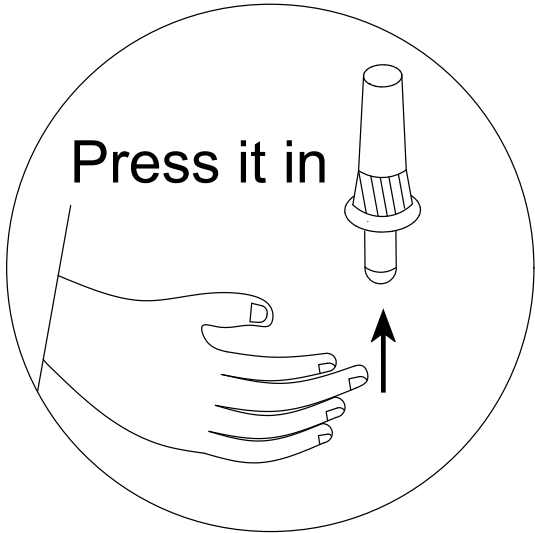
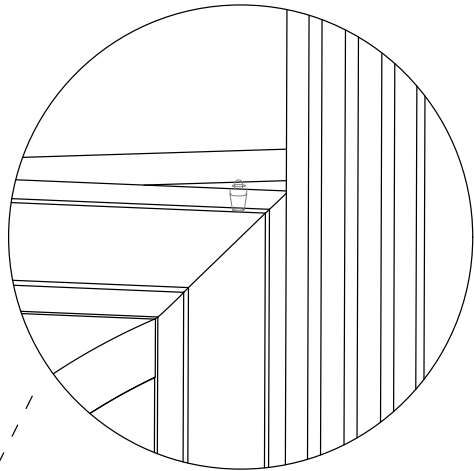
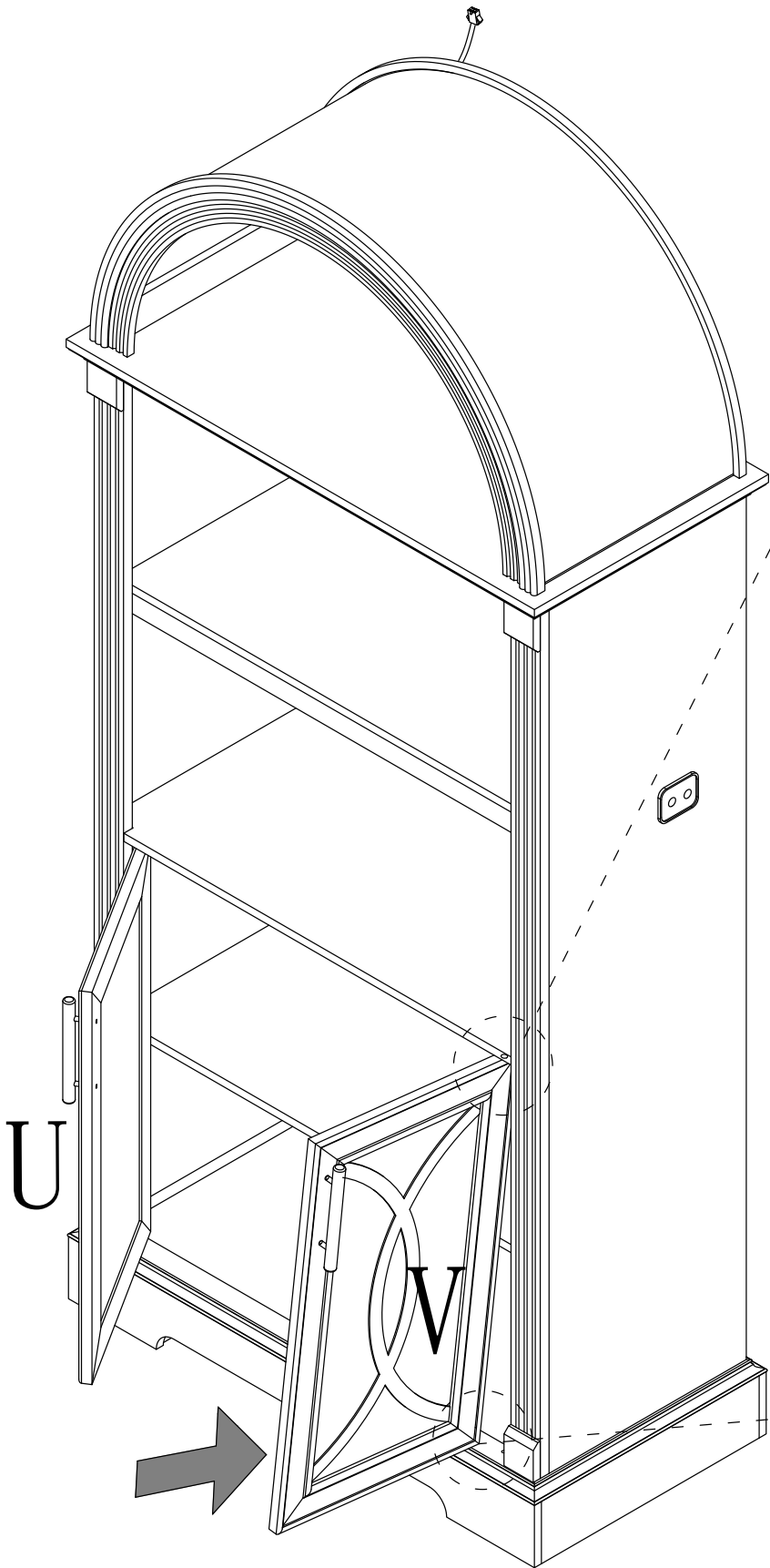
- 11  x2  x1



Step 39



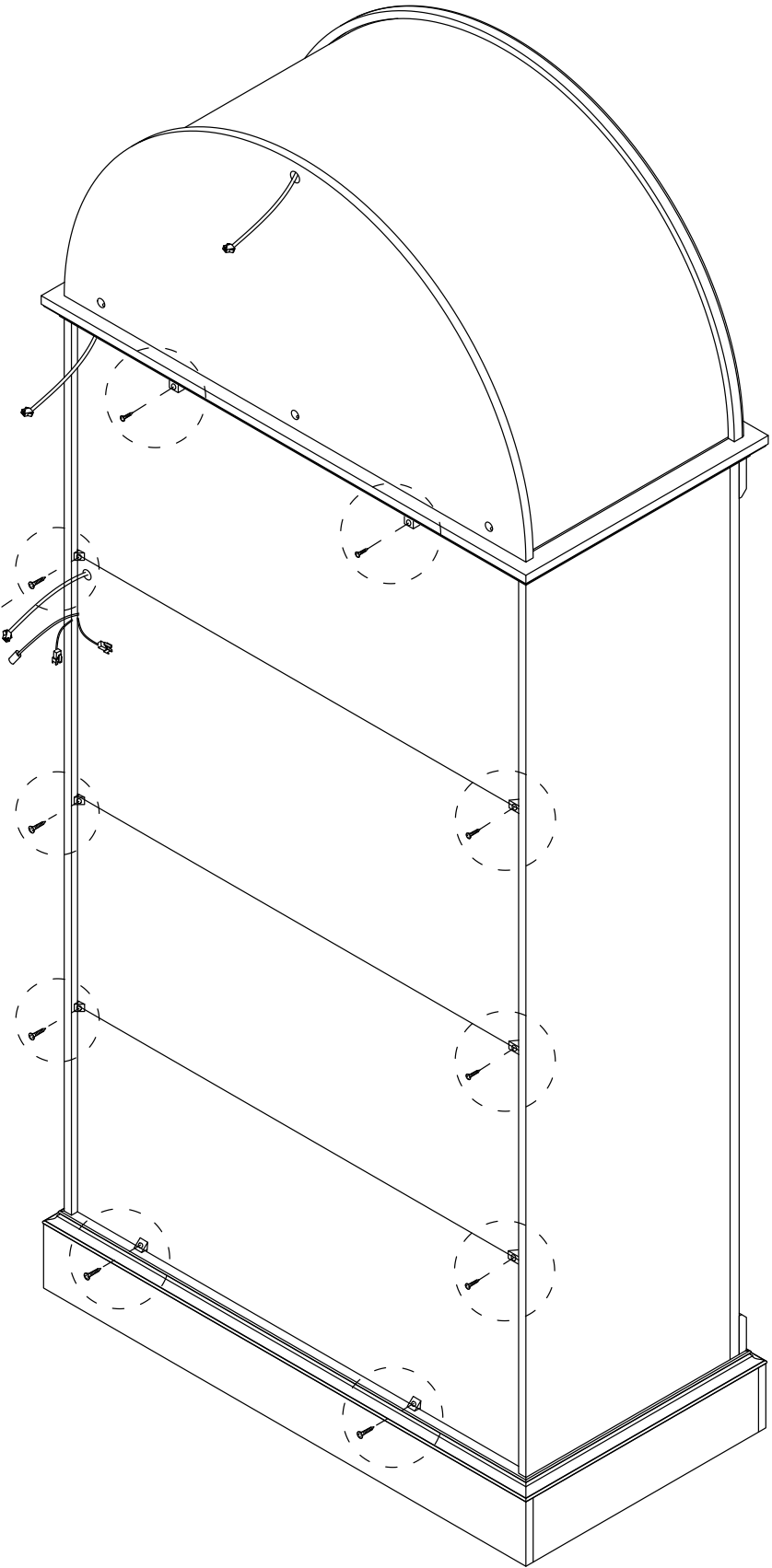
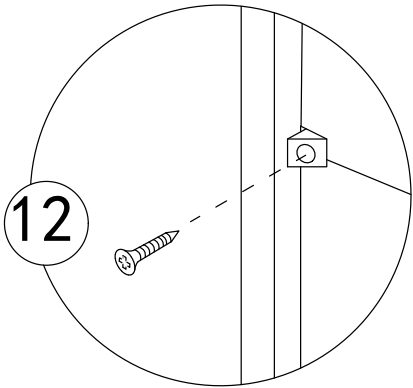
Step 40



12

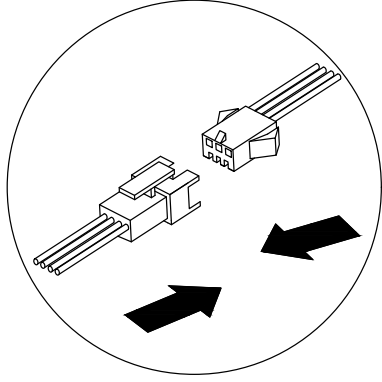
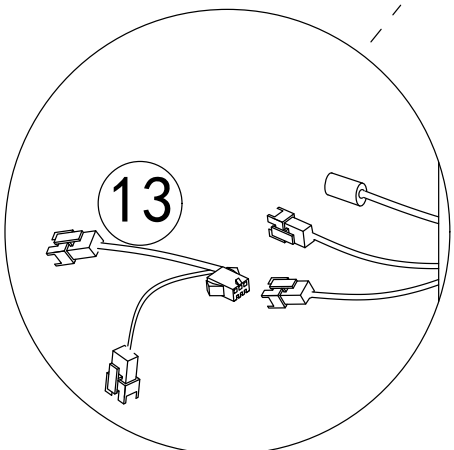
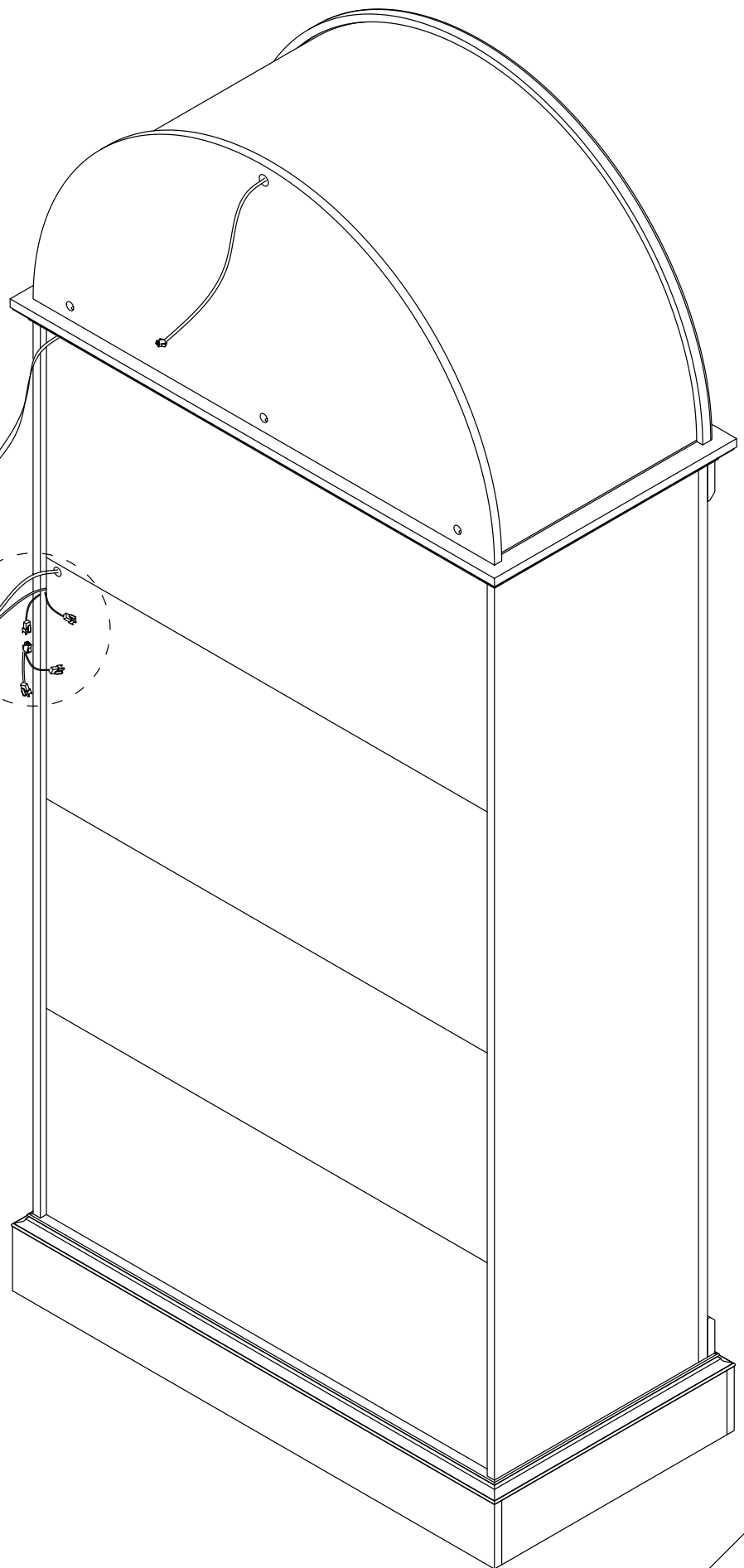


Step 41

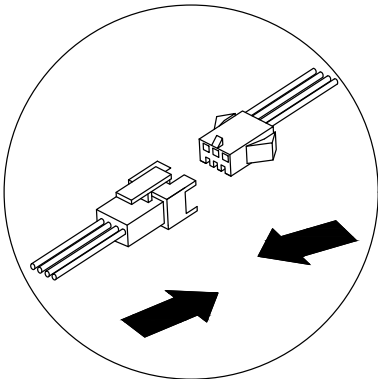
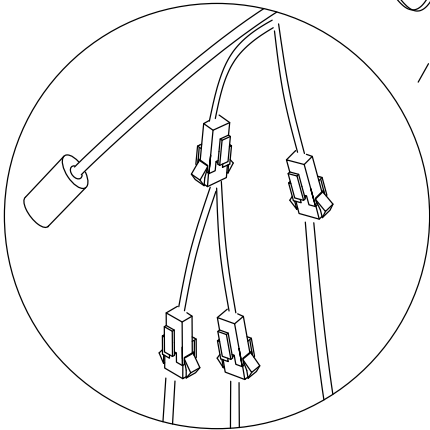
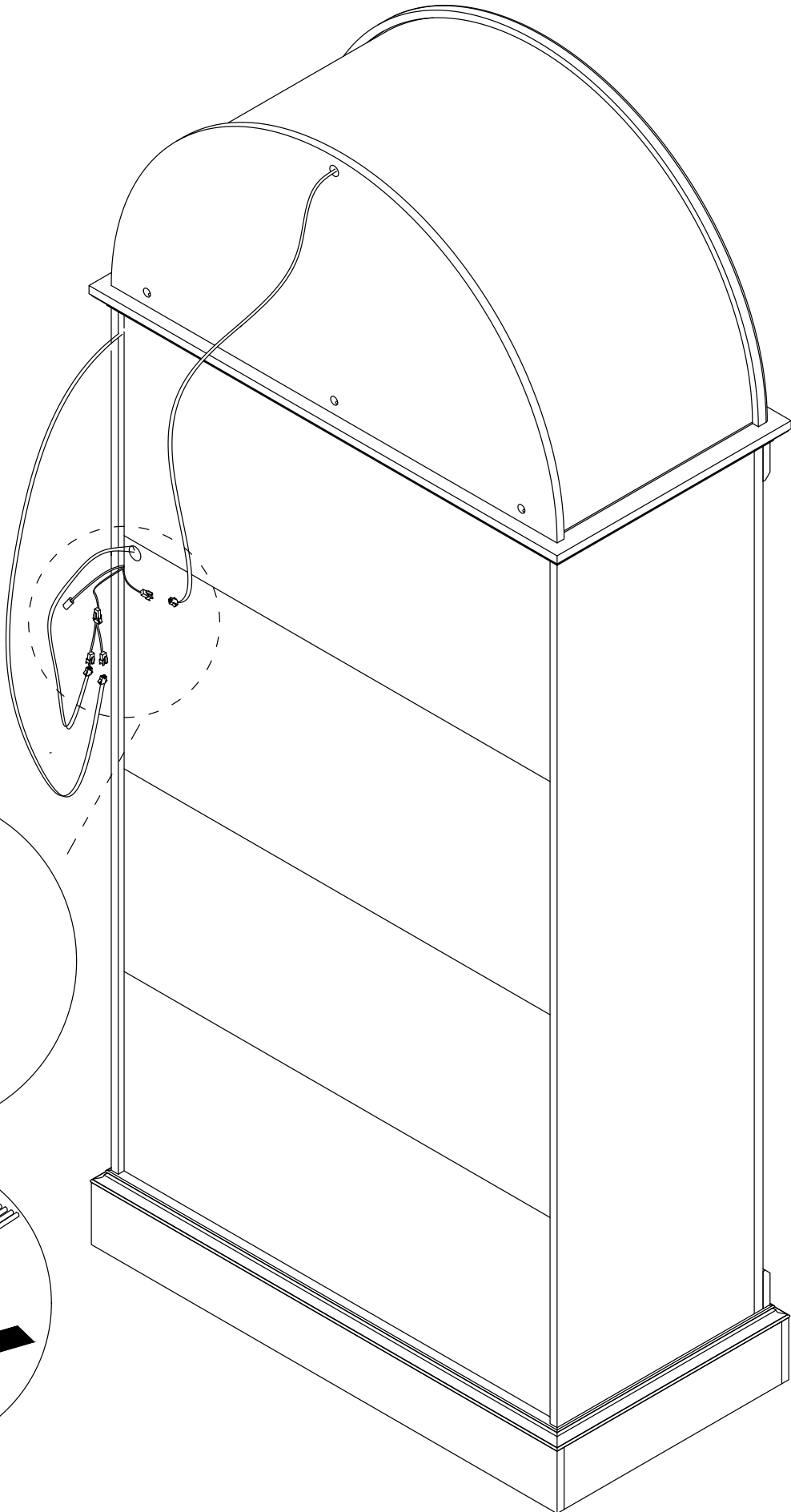


Step 42

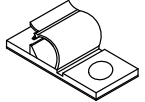



13 x1

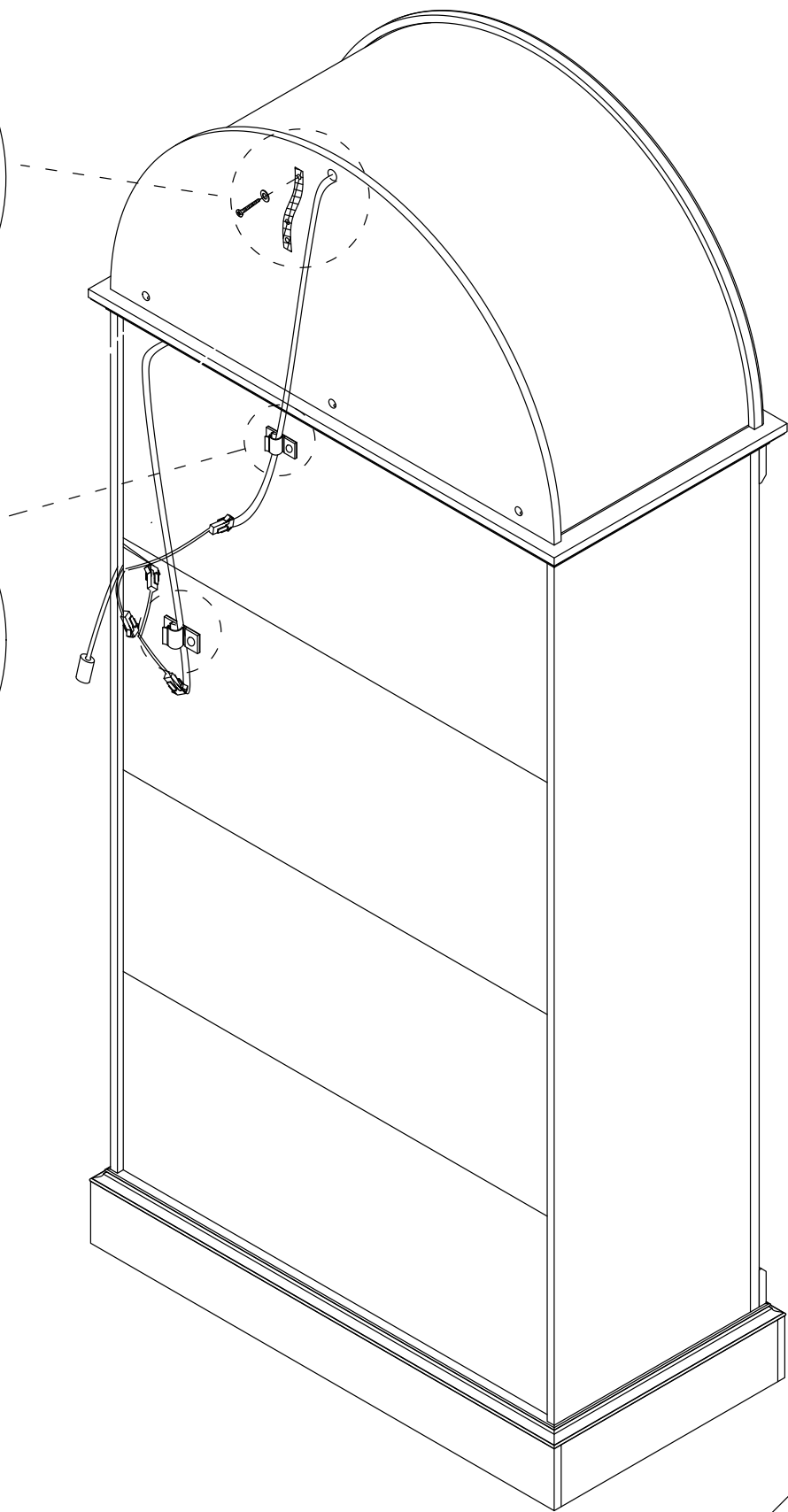
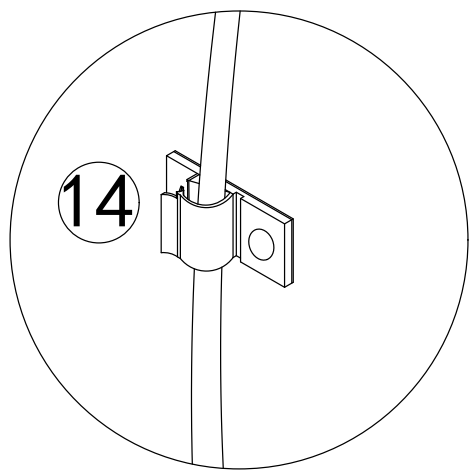
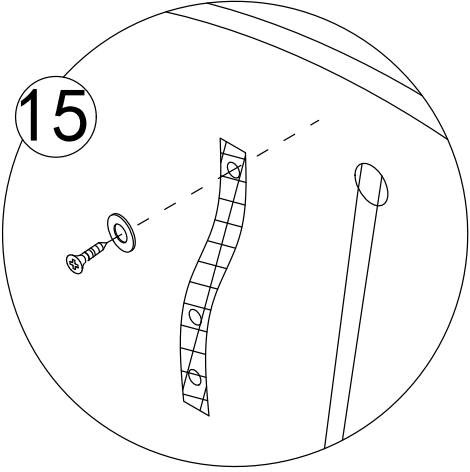


Step 43



Step 44

- 14  x3
- 15  1pcs
-  1pcs  1pcs



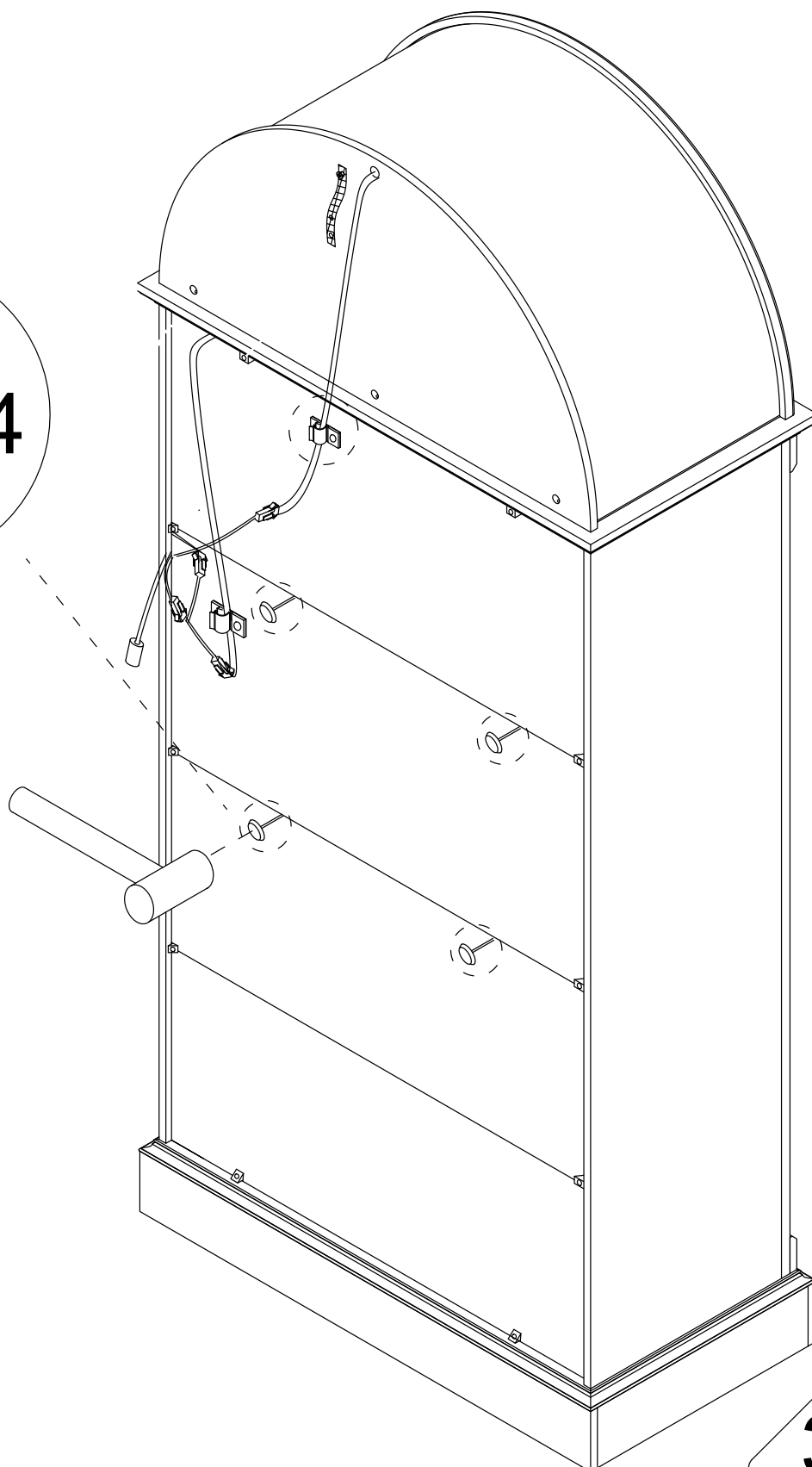
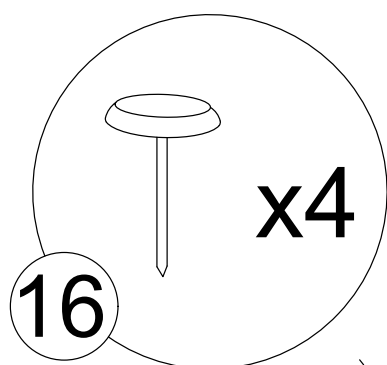
16



x4

Step 45

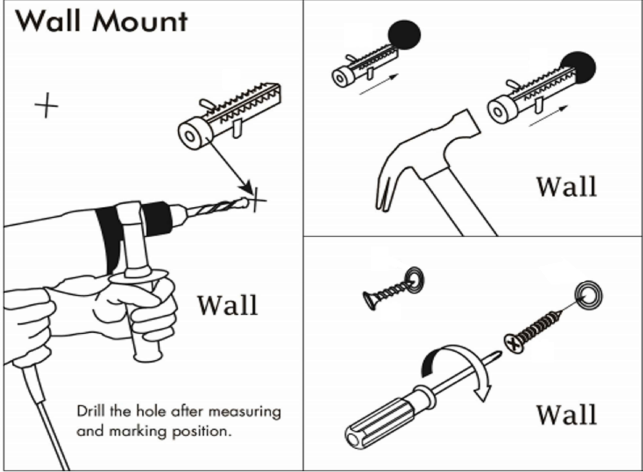
Use a hammer to drive the nail into the gap of the wooden board and fix the back board



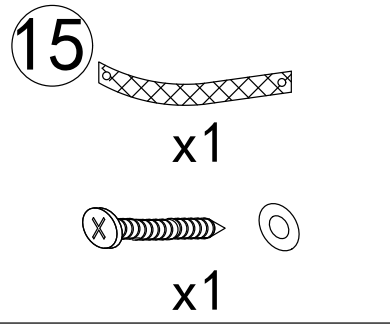
36

Step 46

use a ruler to measure the approximate height of the product on the wall, and then mark it with a pencil.

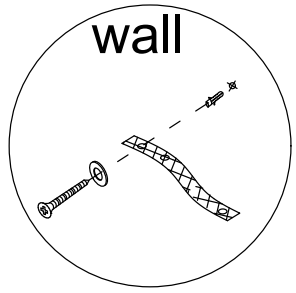
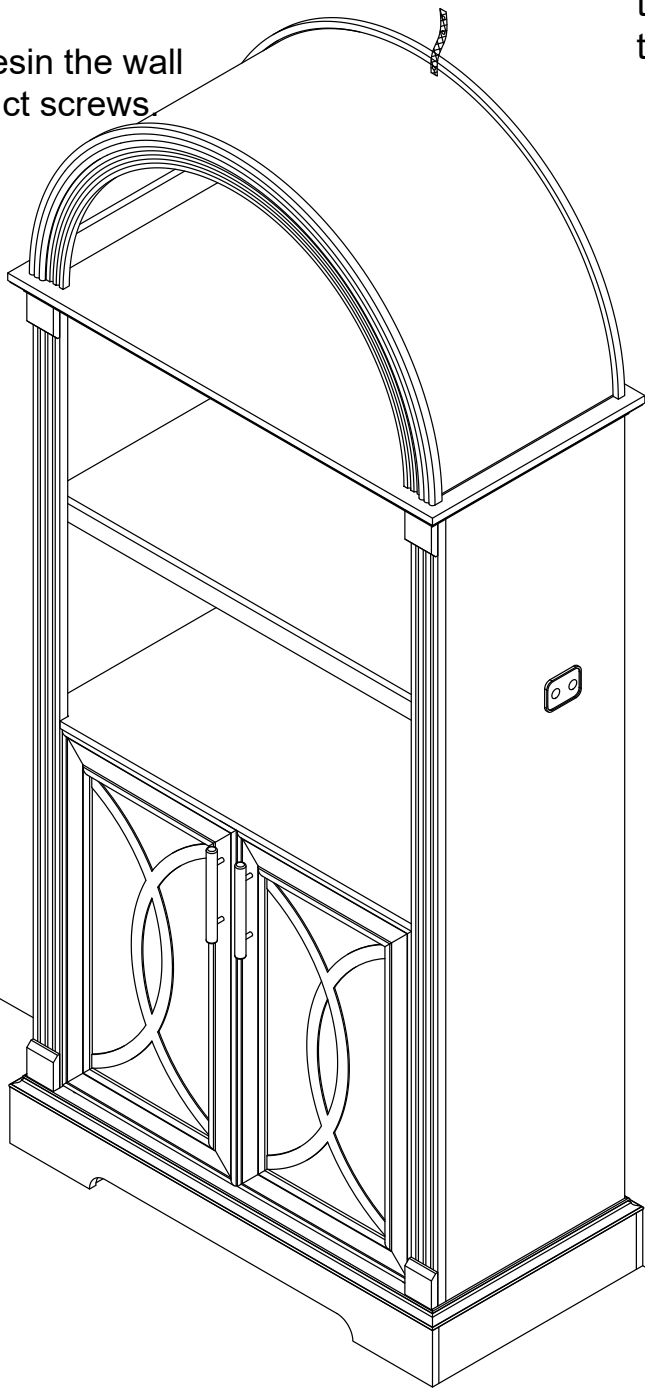


Use a tape drill to make holes in the wall that are suitable for the product screws.

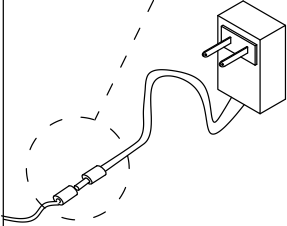
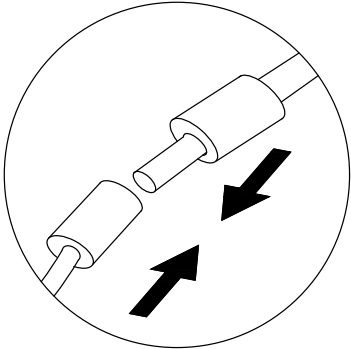
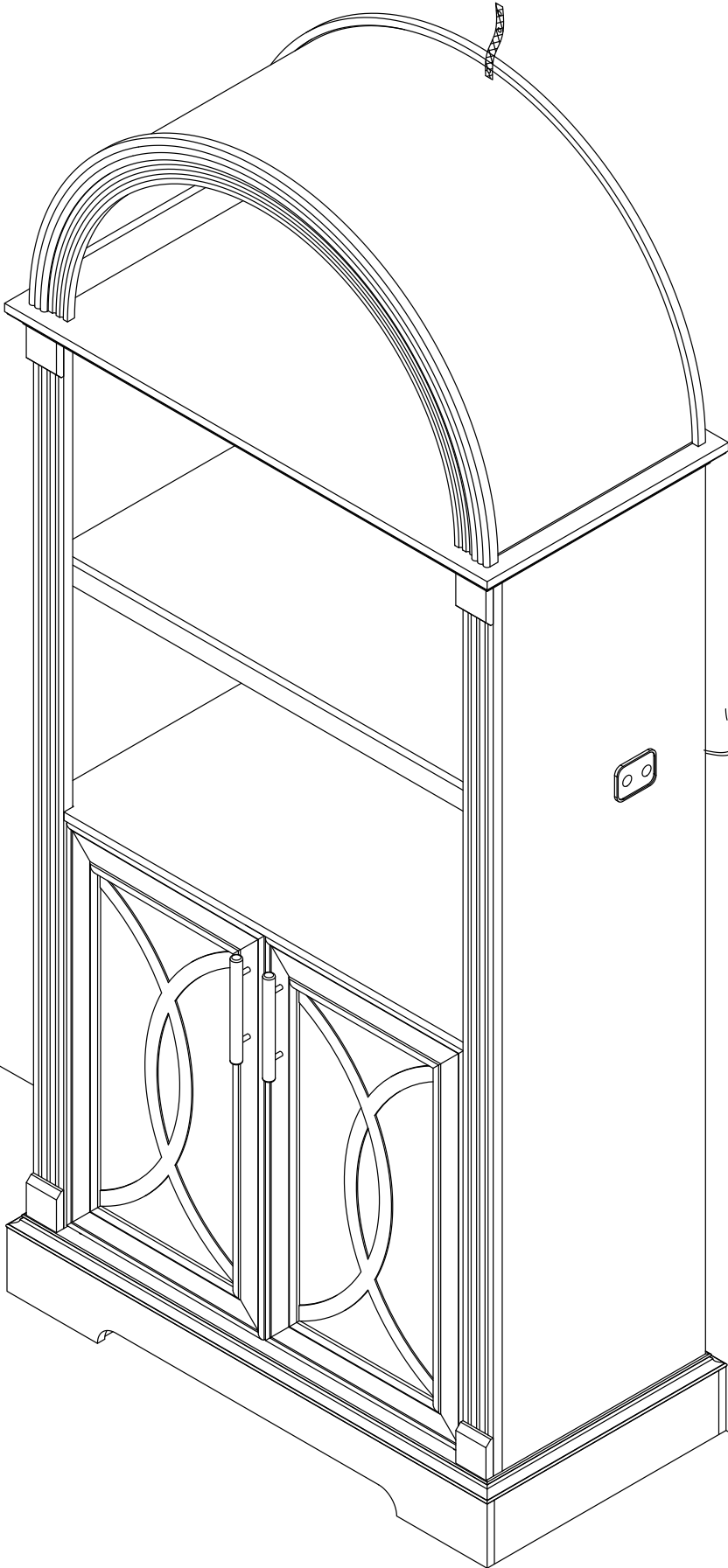
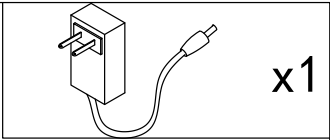


Put the expansion bolt into the hole.

Pass the matching screws through the "anti-rewind" and tighten them to fix them on the wall.



Step 47



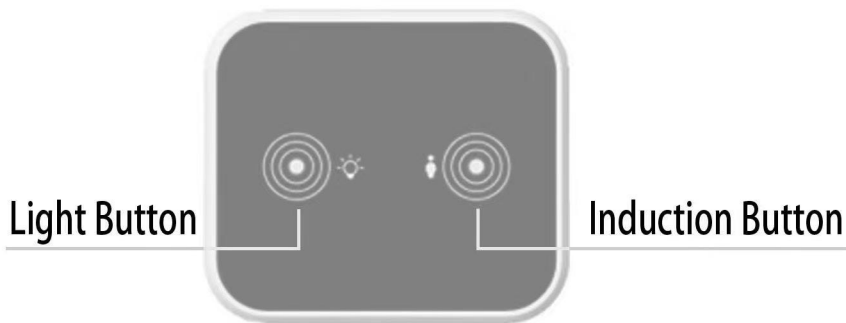
User's Guide

Thank you for purchasing this product. To use this product, please plug it into a 12V DC power supply. Please use if the product works normally after connecting to power.

Introduction

The box is an intelligent controller with 2 touch buttons. It can turn ON/OFF the light, change light colors, and adjust the light luminance.

Product Show



ATTENTION PLEASE

1. If there is no touch response suddenly, Re-plug the power to reset the touch static electricity.
2. If bubbles appear on the panel, remove the protective film.

Operation



This touch button is used to turn on/off, change colors, and adjust brightness.

- A. Short touch -> lighting on -> short touch -> change light color -> short touch -> change light color -> short touch -> lighting off. B. Long touch -> adjust the luminance



This touch button is used to turn on/off the induction function.

- A. Short touch to turn on the induction function. It can auto-turn on the light when people are close to the controller in 1 meters. It can auto power off the light when the body is far away from the controller after 30 seconds.
- B. Long touch to turn off the induction function.
- C. Note: When you touch the light button to change the light modes, the induction function will automatically turn off. It is best to turn on this function after selecting the light color and adjusting the brightness you want.