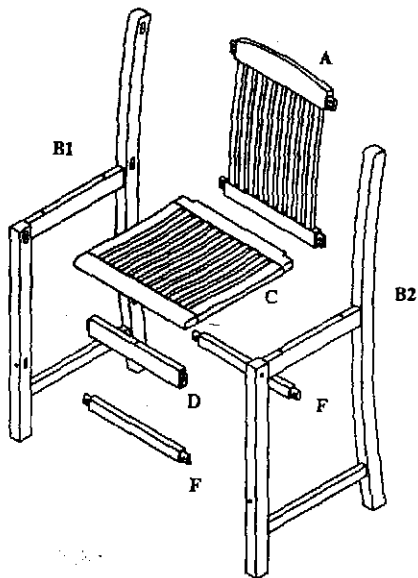


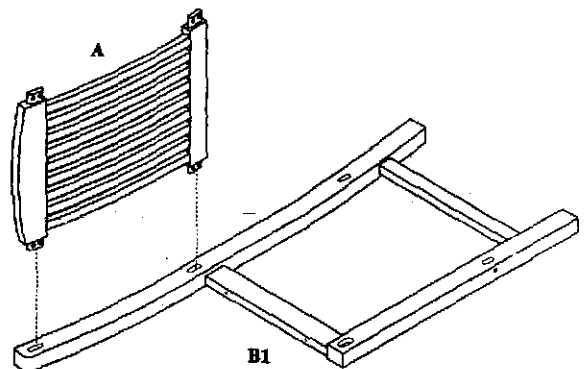
# ASSEMBLY INSTRUCTIONS

## TEAKWOOD BAR CHAIR (ATF21)

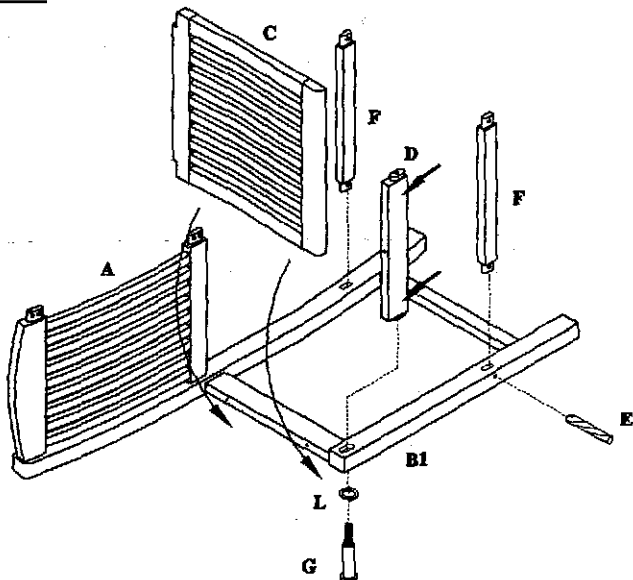
### PARTS



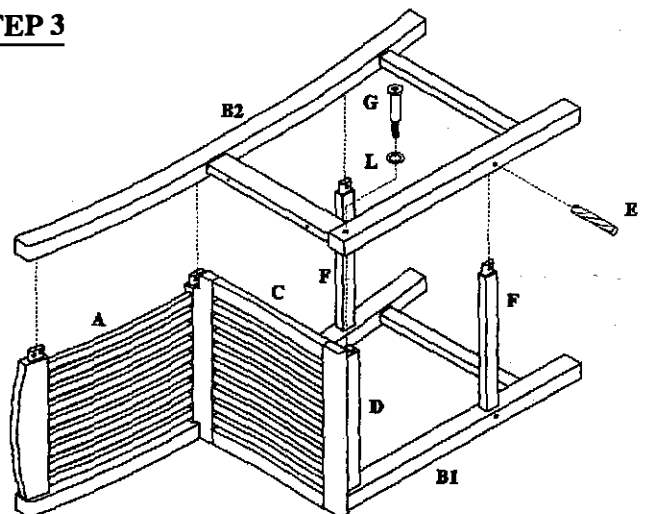
### STEP 1



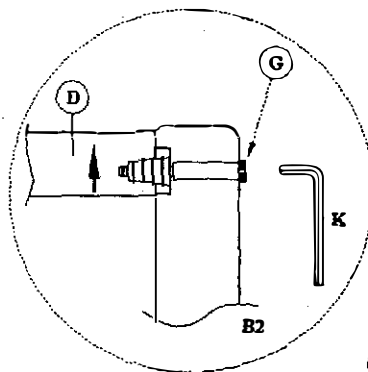
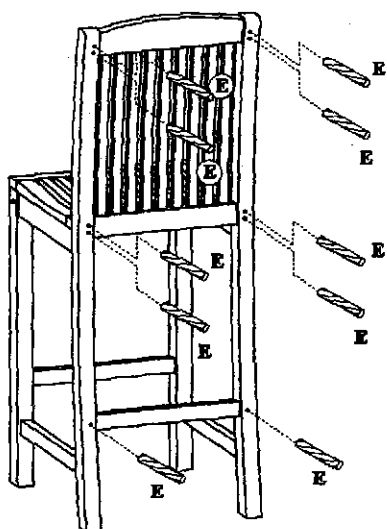
### STEP 2



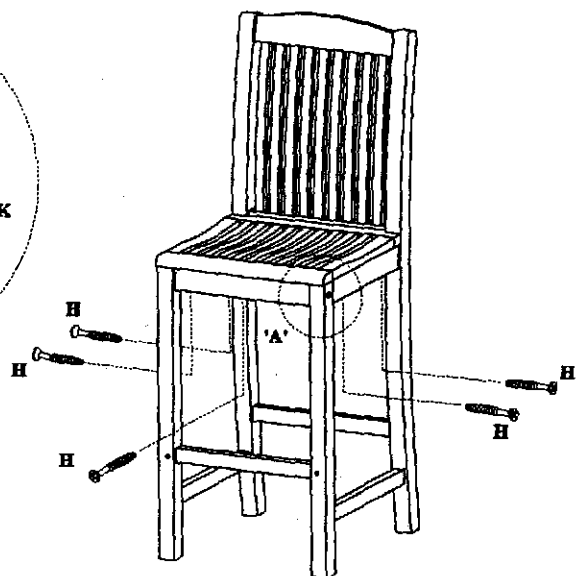
### STEP 3



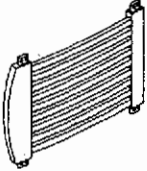
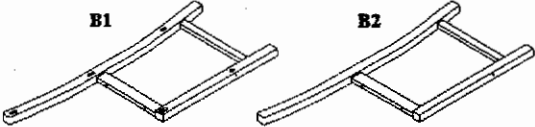
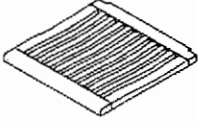


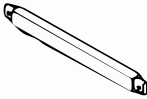






### STEP 4



**DETAIL 'A'**



**ASSEMBLY INSTRUCTIONS**  
**TEAKWOOD BAR CHAIR (ATF21)**

NO.	PARTS.	QTY.
A	<b>BACKREST</b> 	1
B1,B2	<b>LEGS</b> 	2
C	<b>SEAT SLATS</b> 	1
D	<b>FRONT STRETCHER</b> 	1
E	<b>LONG DOWEL</b> 	12+2
F	<b>FRONT , BACK BAR</b> 	2
G	<b>BRASS PIPE</b> 	2
H	<b>SCREW</b> 	4+1
I	<b>SAND PAPER</b> 	1
J	<b>GLUE</b> 	1
K	<b>HEXAGONAL WRENCH</b> 	1
L	<b>FIBER RING</b> 	2