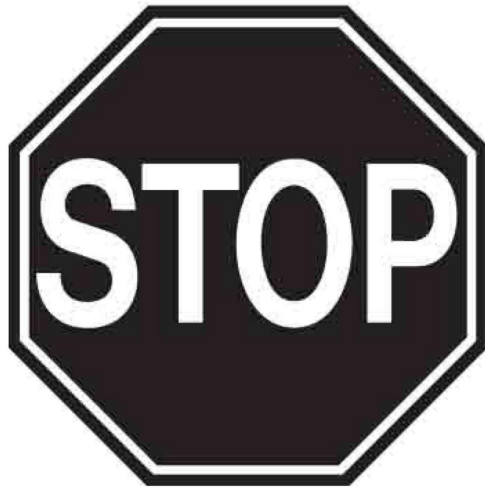


STORAGE CABINET





**FOR REPLACEMENT PARTS OR HELP WITH
ASSEMBLY PLEASE CONTACT US**

**PLEASE ENSURE TO HAVE THE MODEL #
FROM THE PACKAGING OR INSTRUCTION BOOKLET**

**TO RETURN THE PRODUCT:
PLEASE CONTACT THE RETAILER
WHERE THE ITEM WAS PURCHASED FROM**

IMPORTANT : Please read this manual carefully before beginning assembly of this product. Keep this manual for future reference.

SAFETY INFORMATION

Identify all the parts and hardware. Do not discard of the packaging until you have checked that you have all of the parts and hardware required. Hardware package may have spare parts.

WARNING: This item contains small parts which can be swallowed by children and pets. Keep children and pets away during assembly. To avoid danger of suffocation, always keep plastic bags away from children and pets. We recommend that you assemble this unit on a carpeted floor to avoid scratches. If using power tools, set the tool to low torque to avoid damage.

May require 2 people for ease of assembly.

CARE and MAINTENANCE

To clean, use a soft or slightly damp cloth, then wipe with a clean, dry cloth. Dust with soft dry cloth.

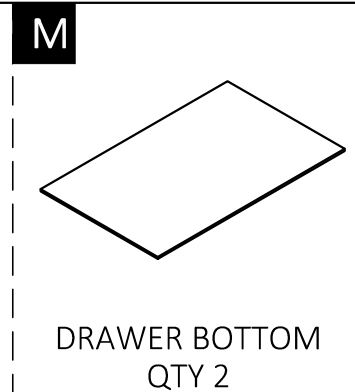
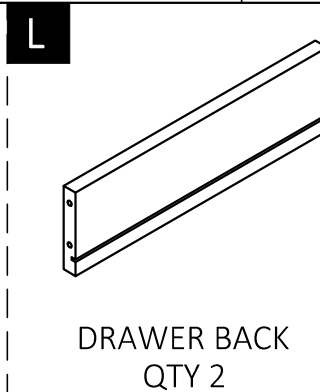
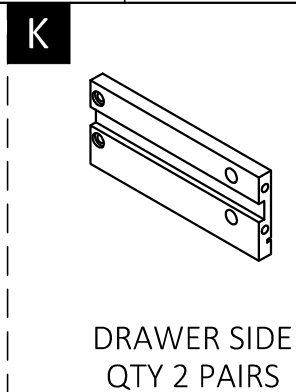
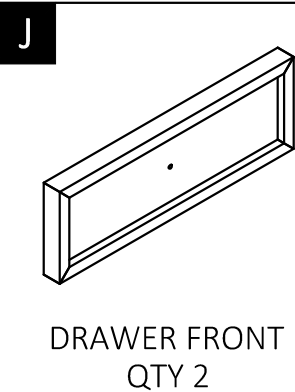
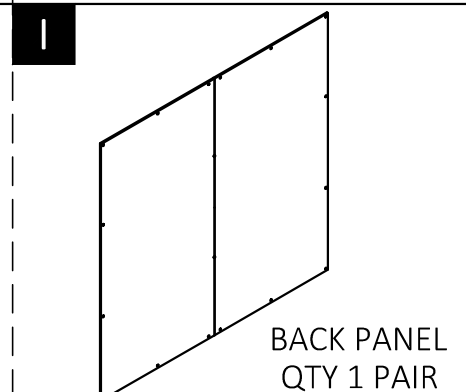
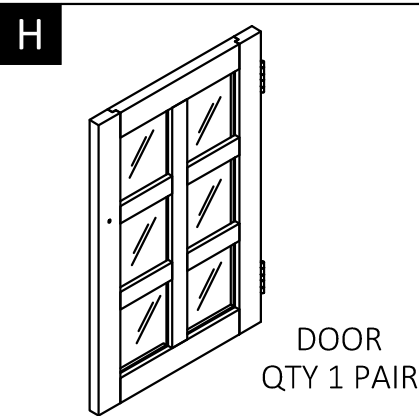
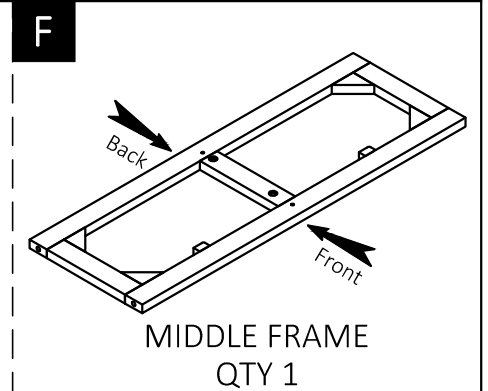
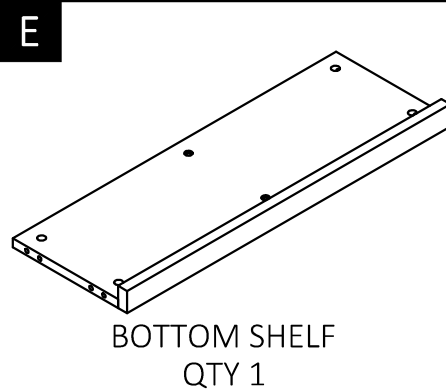
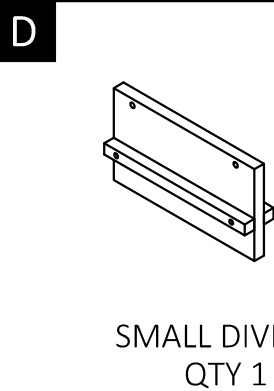
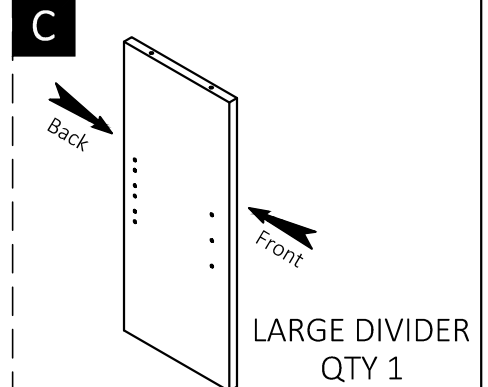
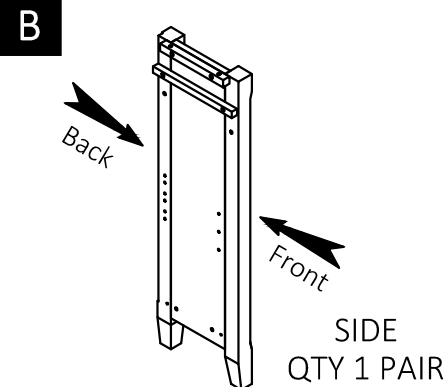
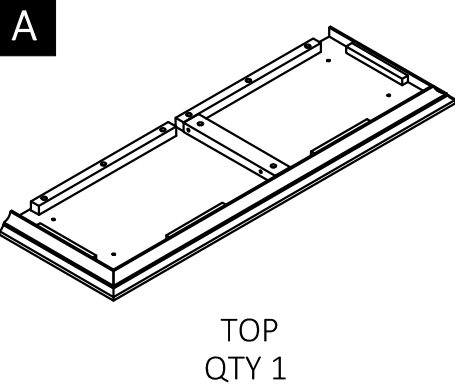
Do not use ammonia-based cleaning products, as they will damage the finish. Do not leave liquids or damp cloths on this furniture.

To avoid dulling of the finish, do not place furniture in direct sunlight.

Please inspect and tighten all screws or bolts on a regular basis to ensure proper performance and safety of your item.

PRE-ASSEMBLY INFORMATION

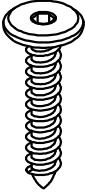
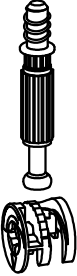
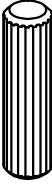

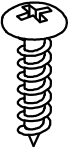
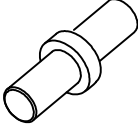
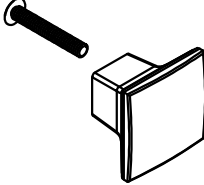
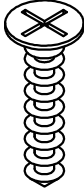
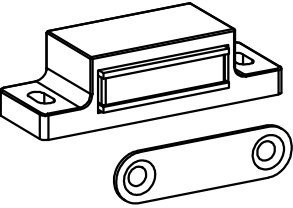
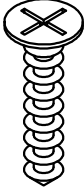
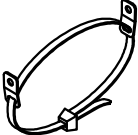



PART DESCRIPTION

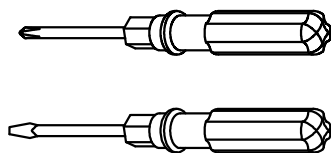


NEED HELP? For help with assembly or if you are missing a part, please call customer service

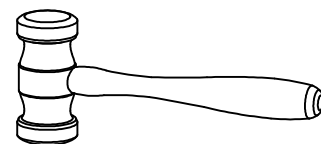
PRE-ASSEMBLY INFORMATION

HARDWARE DESCRIPTION

<p>1</p>  <p>ALLEN KEY SCREW M6 X 30mm QTY 18</p>	<p>2</p>  <p>CAM LOCK PIN CAM LOCK QTY 14 SETS</p>	<p>3</p>  <p>WOOD DOWEL M8 X 30mm QTY 10</p>	<p>4</p>  <p>ALLEN KEY QTY 1</p>
<p>5</p>  <p>PHILLIPS SCREW ROUND HEAD M4 X 15mm QTY 18</p>	<p>6</p>  <p>SHELF SUPPORT QTY 12</p>	<p>7</p>  <p>HANDLE M4 X 15 mm - 2PC M4 X 25 mm - 2PC QTY 4 SET</p>	<p>8</p>  <p>PHILLIPS SCREW M3 X 15mm QTY 8</p>
<p>9</p>  <p>MAGNET AND PLATE QTY 2 SET</p>	<p>10</p>  <p>PHILLIPS SCREW M3 X 12mm QTY 12</p>	<p>11</p>  <p>a.  M4 X 25mm - 1PC b.  M4 X 15mm - 1PC c.  M4 X 25mm - 1PC</p> <p>TIPPING RESTRAINT QTY 1 SET</p>	<p>12</p>

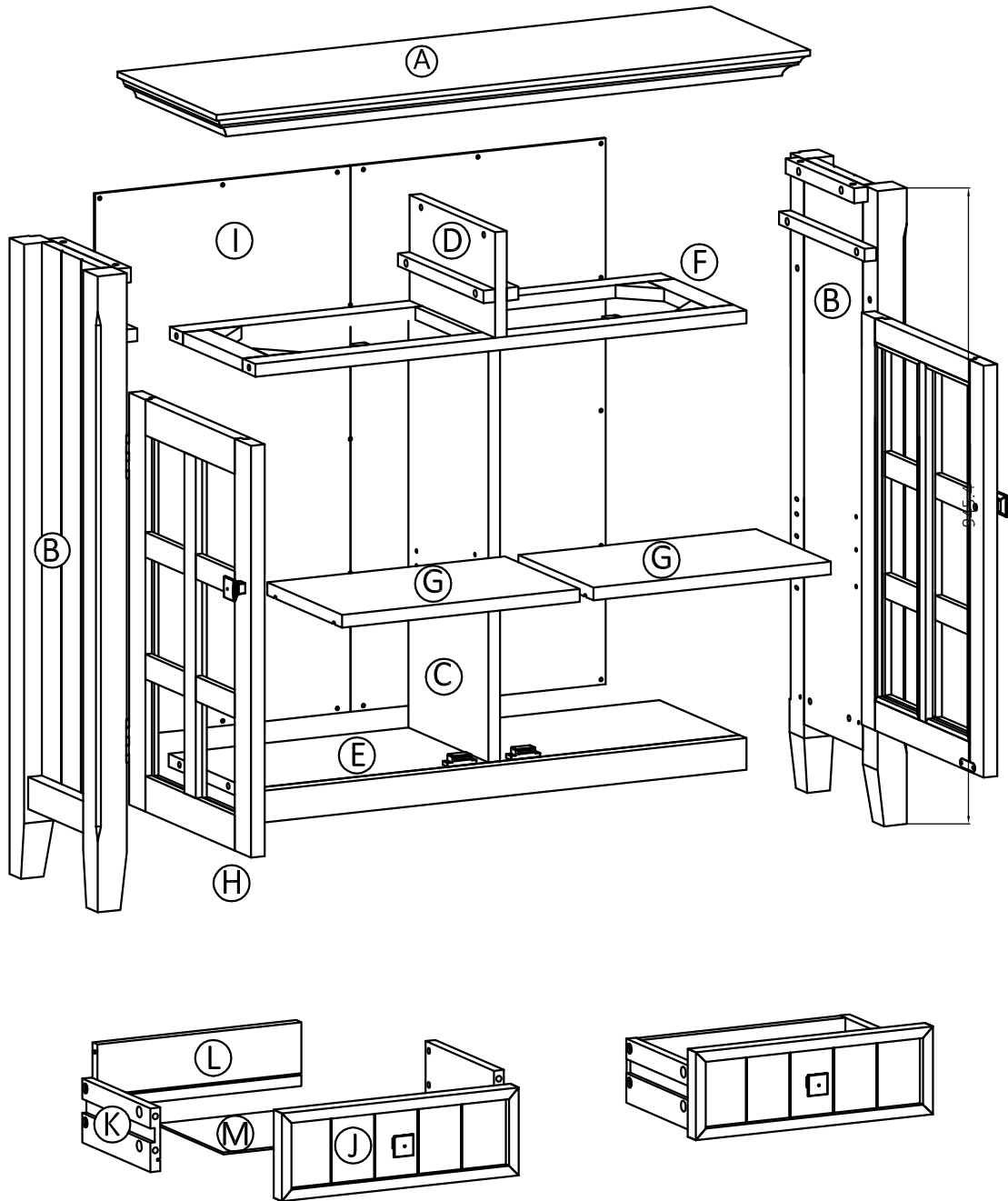


Required -
Flathead screwdriver
Phillips screwdriver
Rubber mallet
Not Included



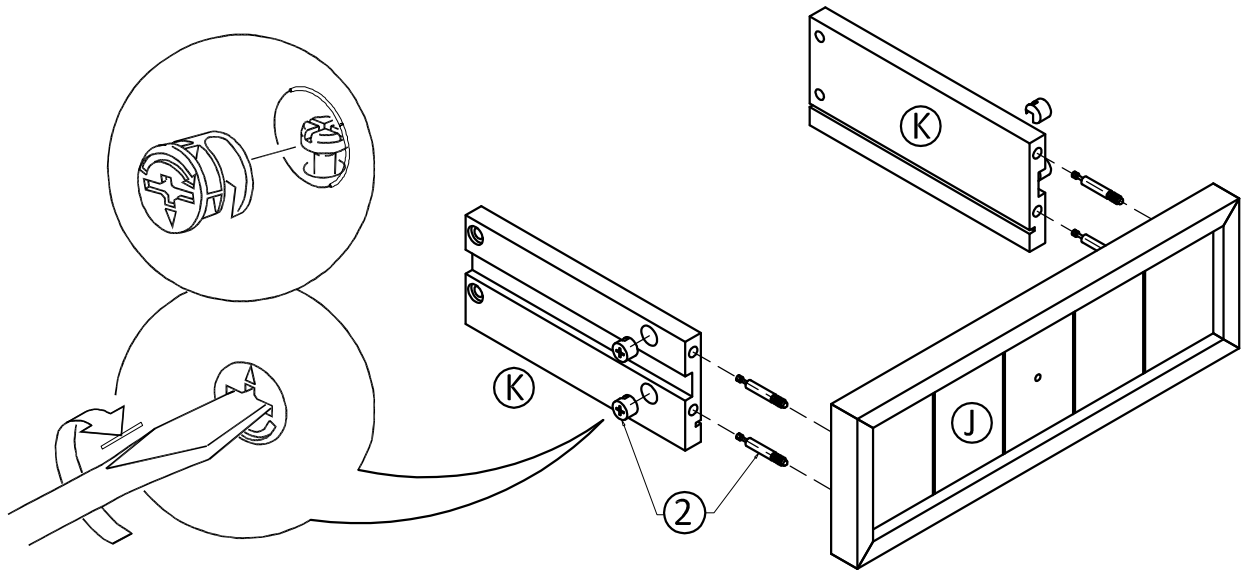
NEED HELP? For help with assembly or if you are missing a part, please call customer service

COMPONENTS-KEY DIAGRAM



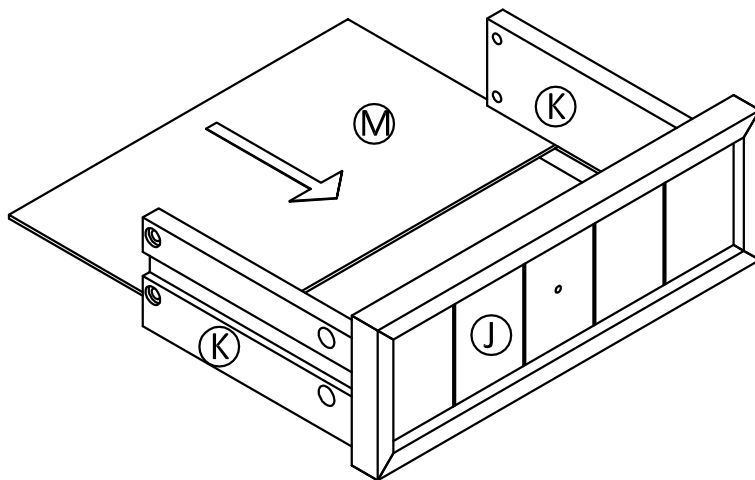
ASSEMBLY

STEP-1



1. Attach 4 Cam Lock Pins (2) to pre-drilled holes at back of Drawer Front (J).
2. Align Cam Lock Pins with pre-drilled holes and attach Drawer Side (K).
3. Insert 2 Cam Locks (2) into pre-drilled holes on each Drawer Side (K).
4. Use flathead screwdriver secure Cam Locks.

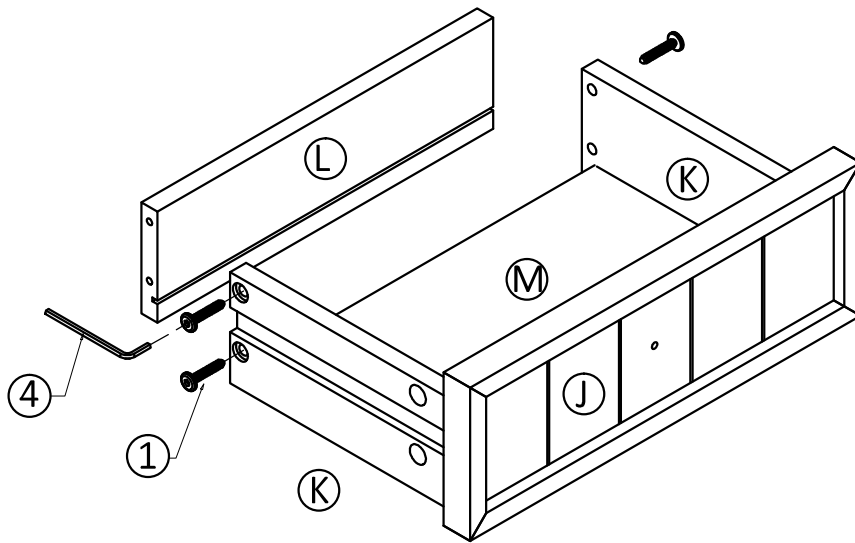
STEP-2



1. Slide Drawer Bottom (M) firmly into slots on Drawer Sides (K) and Drawer Front (J).

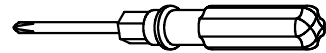
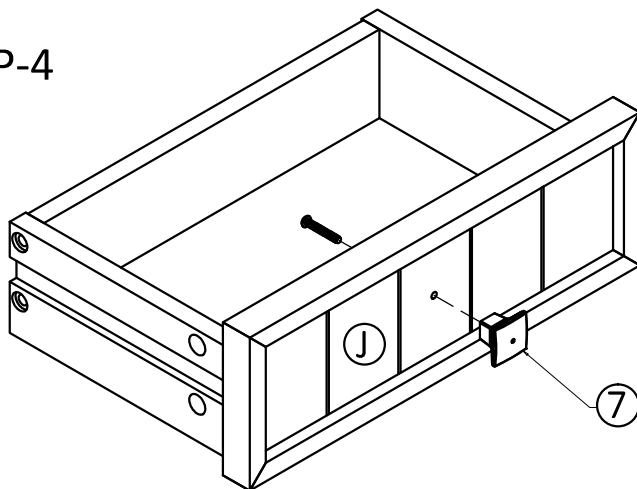
ASSEMBLY

STEP-3



1. Align Drawer Back (L) with Drawer Bottom (M) and press firmly into slot.
2. Attach Drawer Back (L) using 2 Allen Key Screws (1) through pre-drilled holes on each Side (K).
3. Use Allen Key (4) to tighten screws. Do not over-tighten.

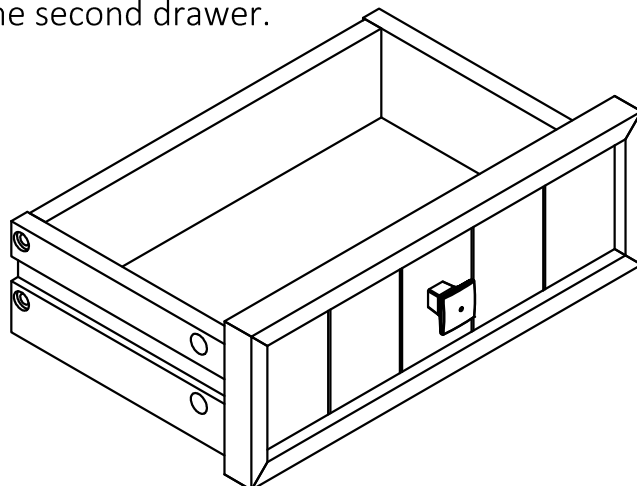
STEP-4



NOTE: The screwdriver is not included in the hardware pack.

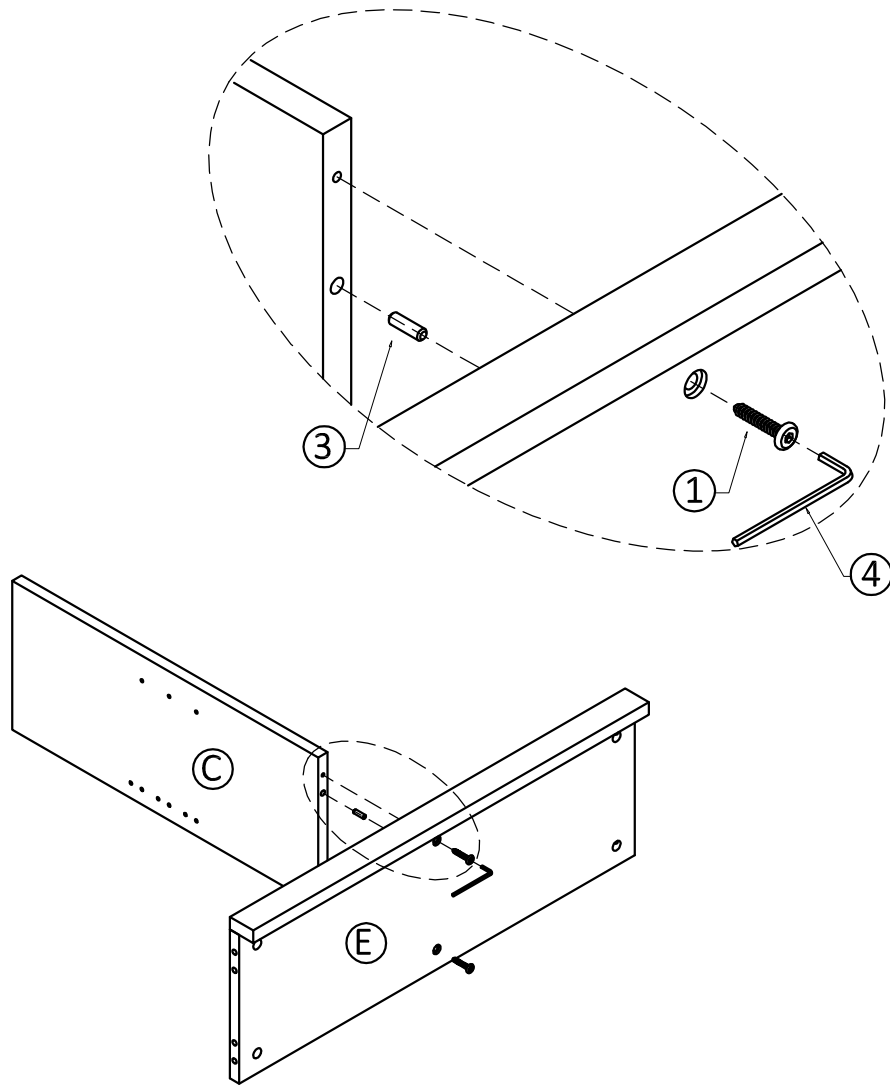
1. Use Phillips screwdriver to attach Handle (7) to Drawer Front (J).

Repeat Step 1 - 4 for the second drawer.



ASSEMBLY

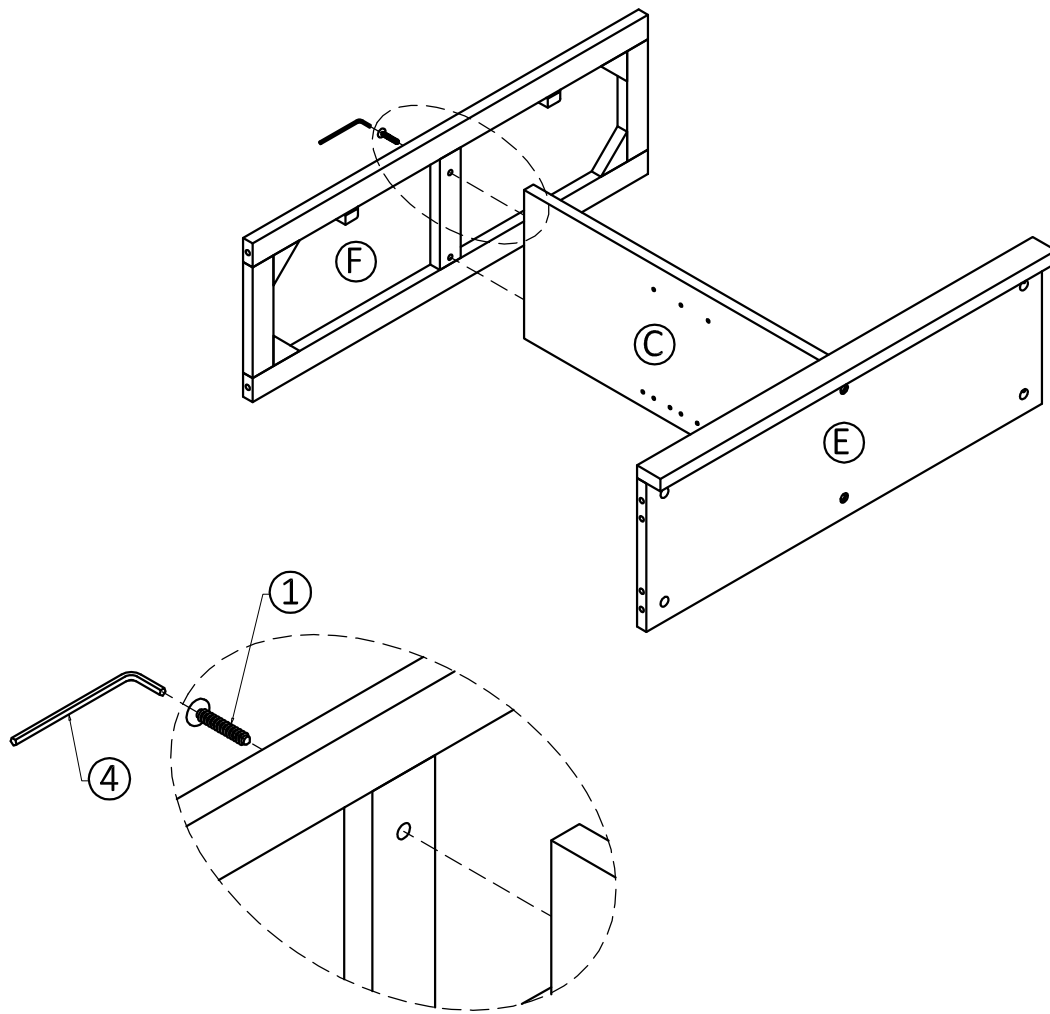
STEP-5



1. Insert 2 Dowels (3) into pre-drilled holes on bottom of Large Divider (C).
2. Use rubber mallet to tap Dowels (3) into bottom of holes securely. 1/2 length of Dowels should be exposed.
3. Attach Bottom Shelf (E) to Large Divider (C) using 2 Allen Key Screws (1).
4. Use Allen Key (4) to tighten Screws. Do not over-tighten.

ASSEMBLY

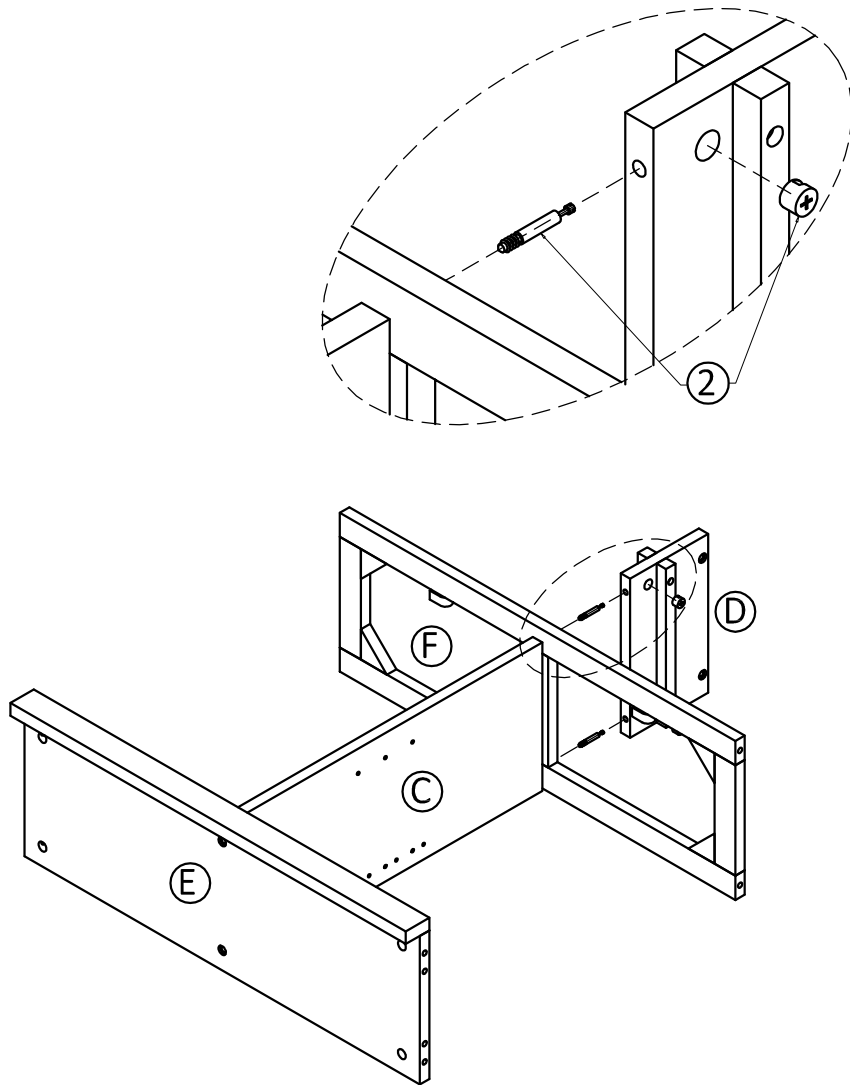
STEP-6



1. Attach Middle Frame (F) to Large Divider (C) using 2 Allen Key Screws (1).
2. Use Allen Key (4) to tighten Screws. Do not over-tighten.

ASSEMBLY

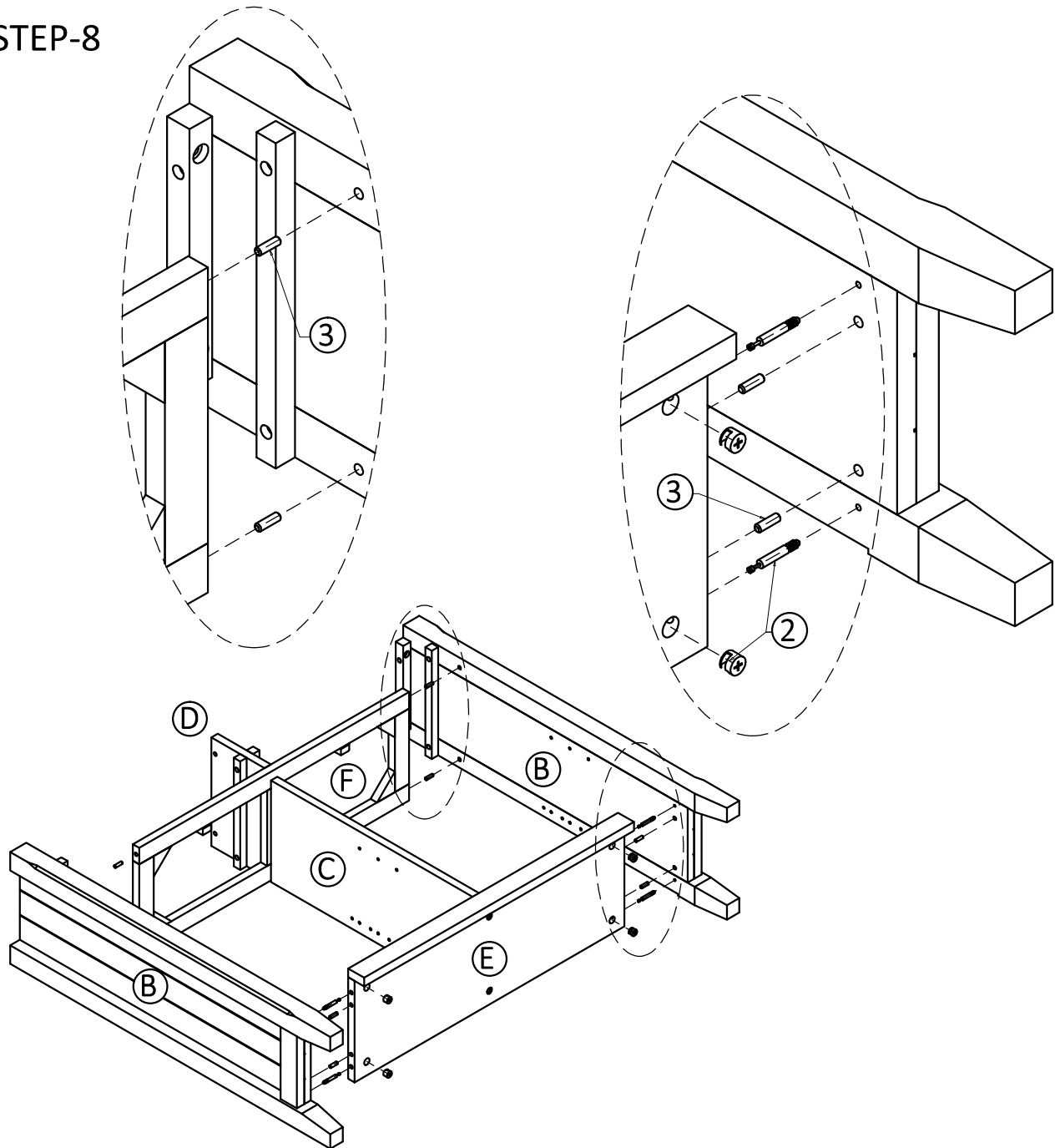
STEP-7



1. Attach 2 Cam Lock Pins (2) to Middle Frame (F) using guide holes.
2. Align Cam Lock Pins with pre-drilled holes on Small Divider (D).
3. Insert 2 Cam Locks (2) into pre-drilled holes on Small Divider (D).
4. Use flathead screwdriver secure Cam Locks.

ASSEMBLY

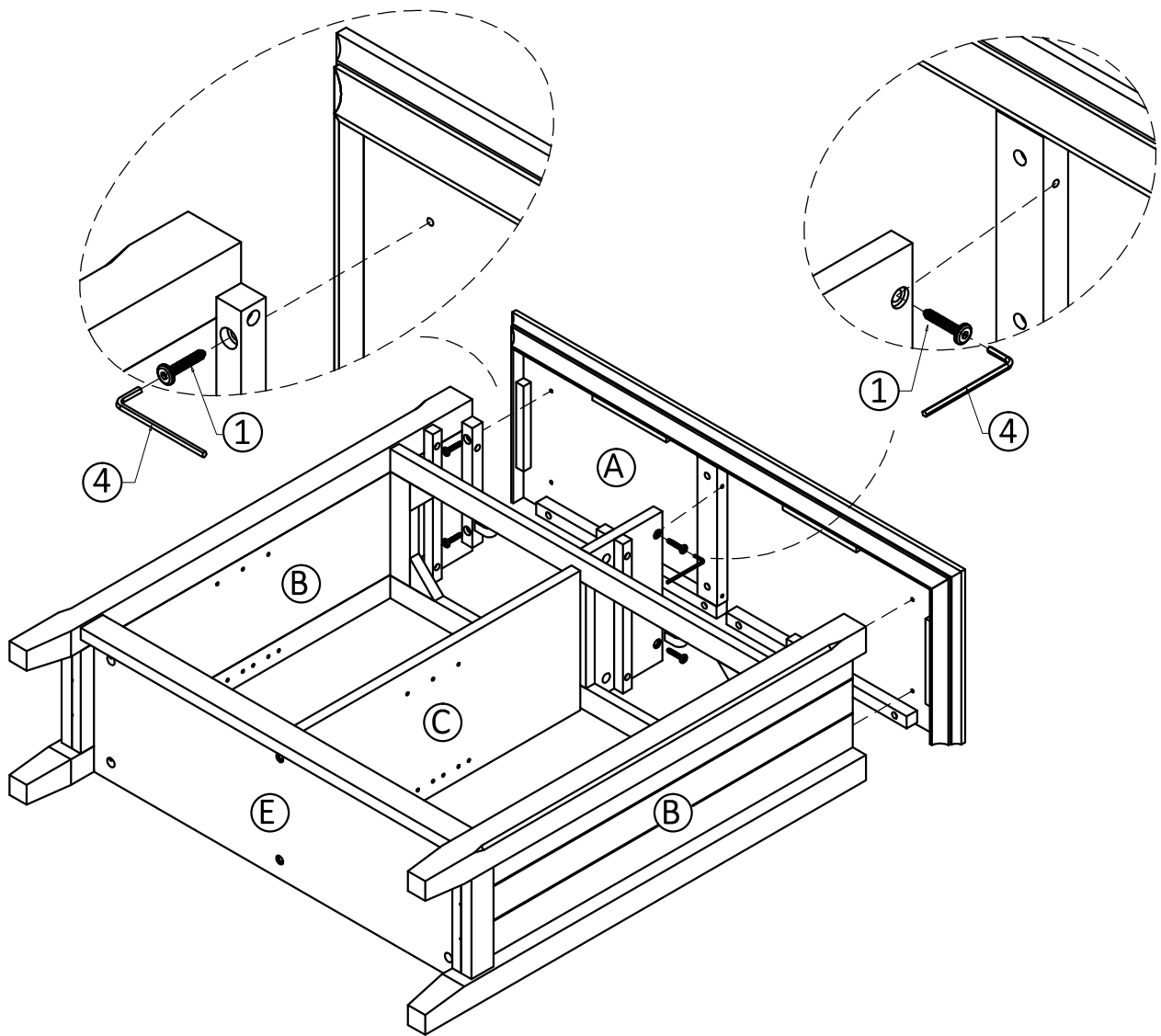
STEP-8



1. Insert 4 Dowels (3) into pre-drilled holes on Middle Frame (F) (2 dowels on each side).
2. Insert 4 Dowels (3) into pre-drilled holes on Bottom Shelf (E) (2 dowels on each side).
3. Use rubber mallet to tap Dowels (3) into bottom of holes securely. 1/2 length of Dowels should be exposed.
4. Attach 2 Cam Lock Pins (2) to Side (B) using guide holes.
5. Align Cam Lock Pins with pre-drilled holes on Bottom Shelf (E).
6. Insert 4 Cam Locks (2) into pre-drilled holes on Bottom Shelf (E) (2 Cam Locks on each Side).
7. Use flathead screwdriver secure Cam Locks.

ASSEMBLY

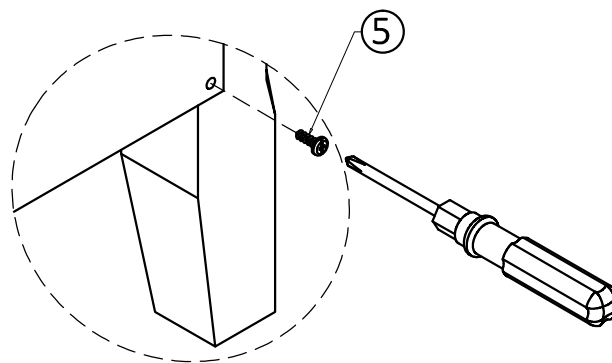
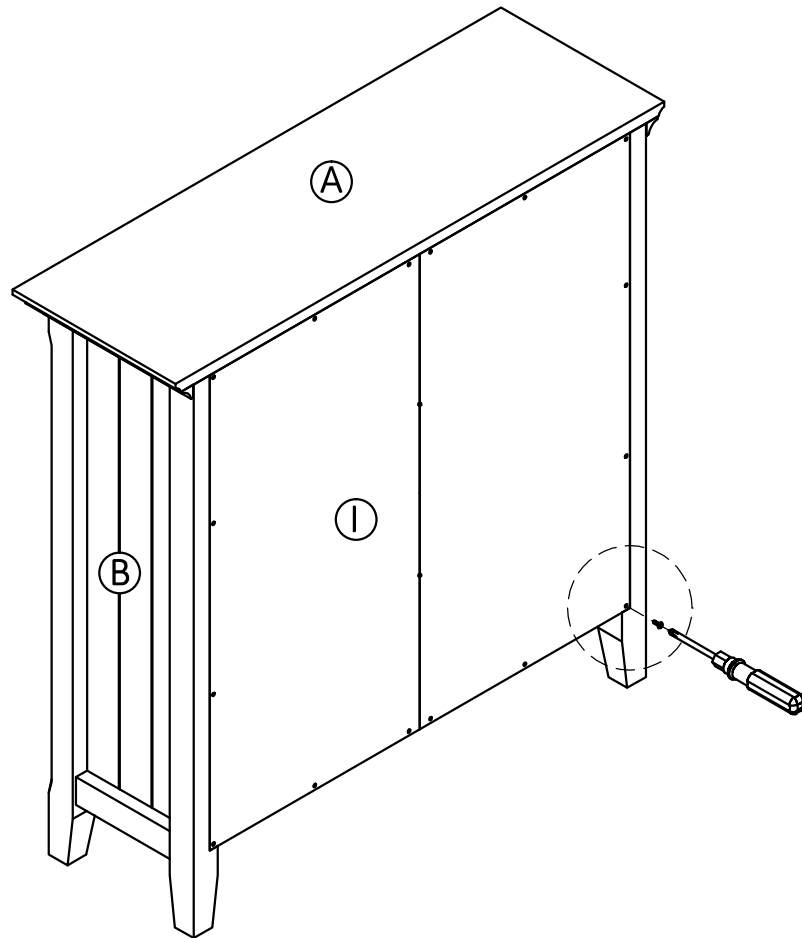
STEP-9



1. Attach Top (A) to Sides (B) and Small Divider (D) using 6 Allen Key Screws (1) (2 screws on each Side and Small Divider).
2. Use Allen Key (4) to tighten Screws. Do not over-tighten.

ASSEMBLY

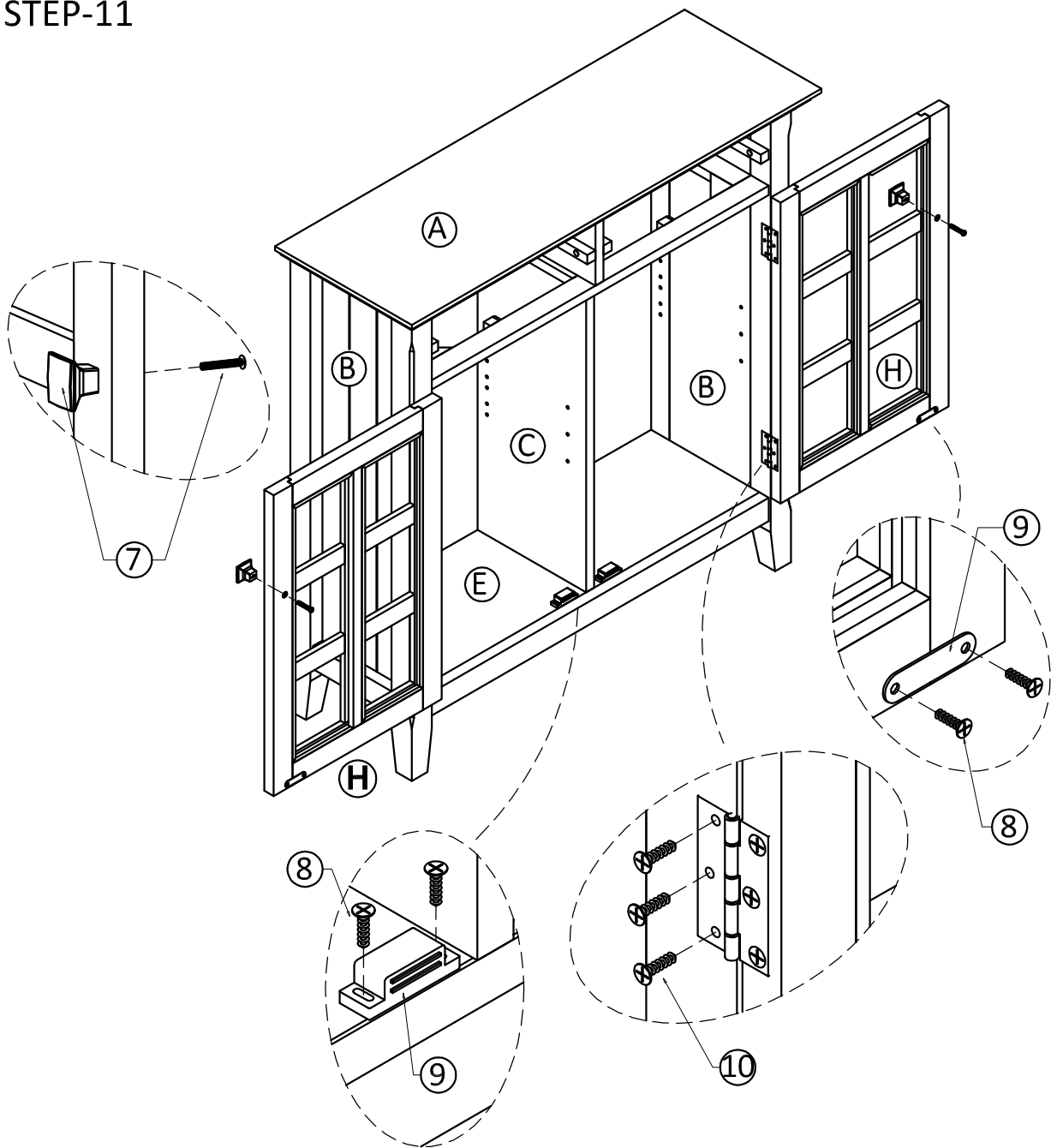
STEP-10



1. Attach Back Panels ① to back frame of cabinet using 18 Phillips Screws Round Head ⑤ through pre-drilled holes.
2. Use Phillips Screwdriver to tighten screws.

ASSEMBLY

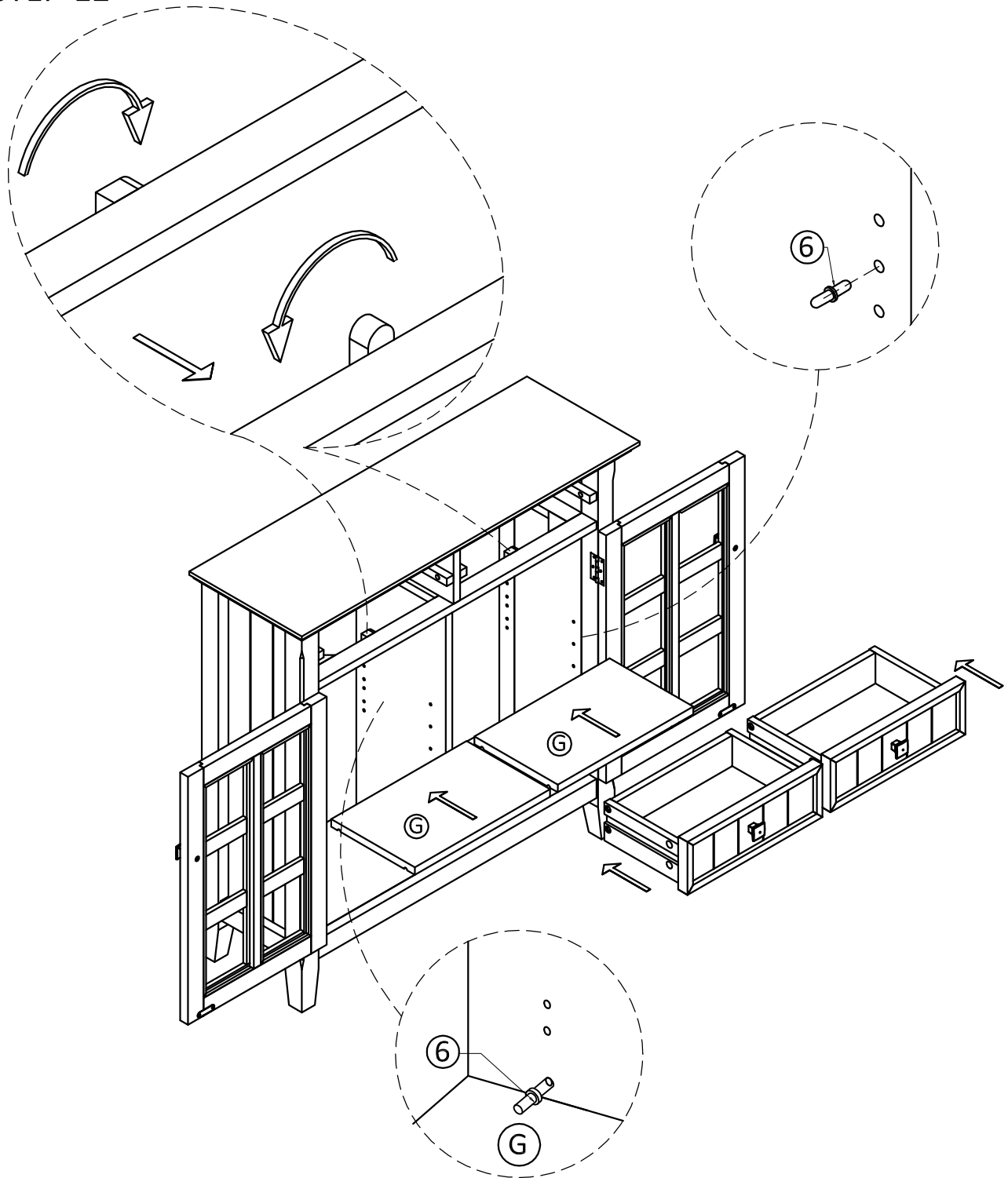
STEP-11



1. Attach hinges on Doors (H) to Sides (B) using Phillips Screws (10) into guide holes.
2. Attach Magnet Plates (9) to corners of Doors (H) using Phillips Screws (8) into guide holes on Doors (H).
3. Attach Magnets (9) using Phillips Screws (8) into guide holes on Bottom Shelf (D).
4. Use Phillips screwdriver to snugly tighten screw.
5. Use Phillips screwdriver to attach Handles (7) to Doors (H).

ASSEMBLY

STEP-12

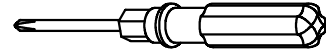


1. Use 4 Shelf Supports (6) for each Cabinet Shelf (G) in desired location.
2. 2 Shelf Supports (6) may be used on back top of each Cabinet Shelf (G) as a tipping restraint.
3. Turn the wood lock (on the bottom frame) to be perpendicular to the frame for safety stop (intended to keep the drawers from pulling all the way out).

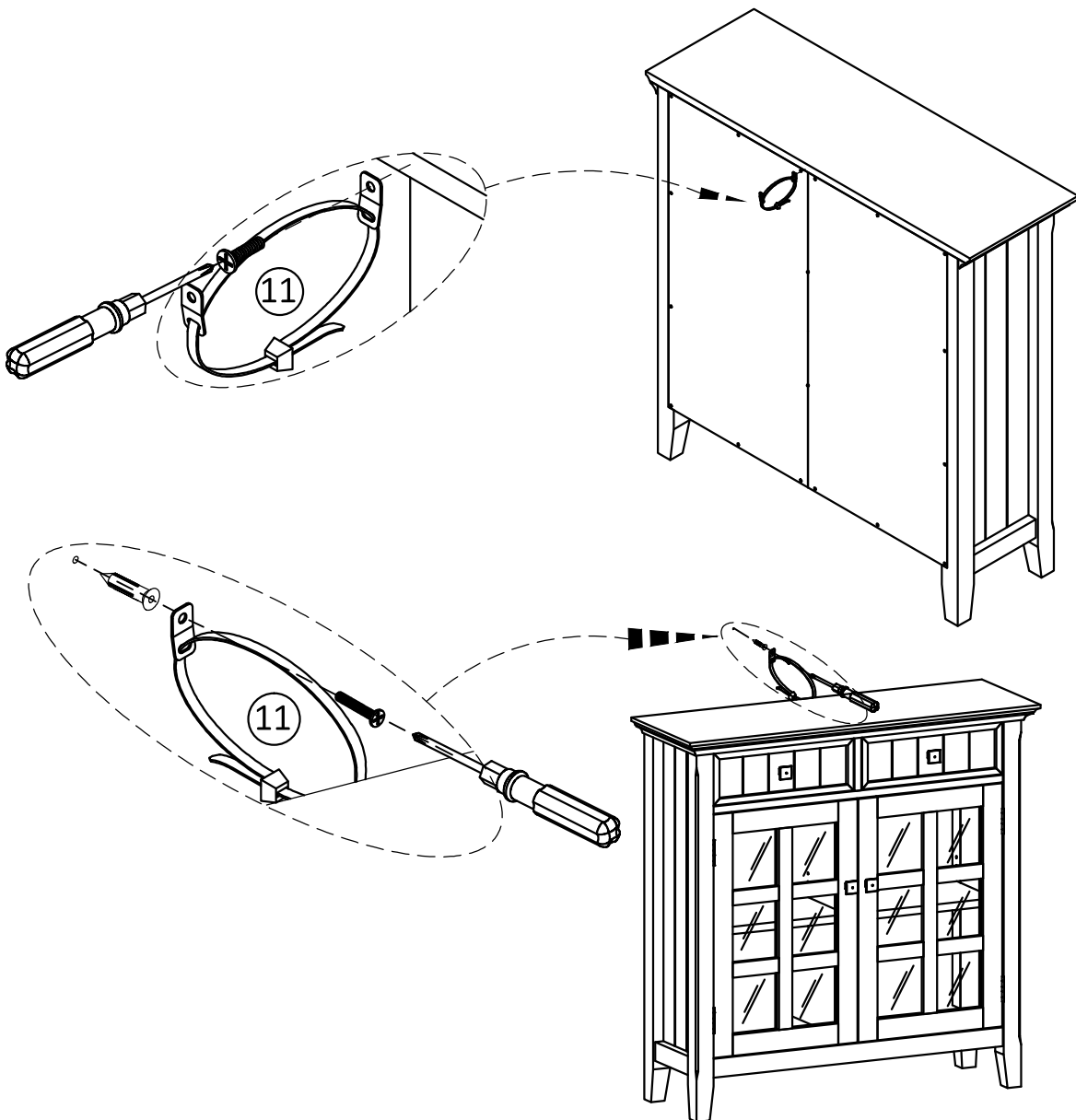
ASSEMBLY

NOTE: Injuries and damage can occur from furniture tip-over. It is important to use the safety bracket included. If the tipping restraint kit is not in the box, please contact our customer service department in order to obtain another kit before using the furniture.

STEP-13



NOTE: The screwdriver is not included in the hardware pack.



1. To attach Tipping Restraint (11), follow instructions on Tipping Restraint package.

When you determined the location for your unit, install the Furniture Tipping restraint. Carefully follow the instructions contained on the package.

WARRANTY

Thank you for purchasing our products. These products have been made to demanding, high-quality standards and are guaranteed for domestic use against manufacturing faults for a period of 12 months from the date of purchase. This warranty does not affect your statutory rights.

In case of any malfunction of your product (failure, missing parts, etc.) please contact us at our toll free service line.

We reserve the right to repair or replace the defective product, at its discretion.

This product is guaranteed for 12 months if used for normal purposes. Any warranty is invalid if the product has been overloaded or subject to neglect, improper use or an attempted repair by other than an authorized agent. Heavy-duty or daily professional/commercial usage are not guaranteed.

Due to continuous product improvement, we reserve the right to change the product specifications without prior notice.