

THIS INSTRUCTION BOOKLET CONTAINS ***IMPORTANT*** SAFETY INFORMATION. PLEASE READ AND KEEP FOR FUTURE REFERENCE.

ESTE FOLLETO DE INSTRUCCIONES CONTIENE INFORMACIÓN ***IMPORTANTE*** DE SEGURIDAD. POR FAVOR LEA Y CONSERVE PARA FUTURAS CONSULTAS.

CE LIVRET D'INSTRUCTIONS CONTIENT DES INFORMATIONS DE SÉCURITÉ ***IMPORTANTES***. VEUILLEZ LIRE ET CONSERVER POUR RÉFÉRENCE FUTURE.

Warranty Information

Company warrants this product to be free from defects in materials and workmanship for one year from the date of original purchase. This is solely limited to the repair or replacement of defective parts and assembly labor is not included. All products are warranted through the authorized dealer through which the product was purchased.

Información de garantía

Company garantiza que este producto está libre de defectos de materiales y mano de obra durante un año a partir de la fecha de compra original. Esto se limita únicamente a la reparación o sustitución de piezas defectuosas y no se incluye la mano de obra de montaje. Todos los productos están garantizados a través del distribuidor autorizado a través del cual se compró el producto.

Informations de garantie

Company garantit que ce produit est exempt de défauts de matériaux et de fabrication pendant un an à compter de la date d'achat d'origine. Ceci est uniquement limité à la réparation ou au remplacement des pièces défectueuses et la main-d'œuvre d'assemblage n'est pas incluse. Tous les produits sont garantis par le revendeur agréé auprès duquel le produit a été acheté.

Before Assembly

- Always use proper tools.
- Work in a spacious area, preferably on a carpet, near where the unit will be used.
- Recommended # of people needed for assembly: **2**
- Do not fully tighten screws or bolts until the entire item is assembled.
- Follow the assembly steps in order.
- Always lay furniture on a blanket while assembling to prevent scratching of furniture.
- Be sure to check all packing materials carefully for any small parts that may have come loose inside the package during shipment.

NOTE: STEVE SILVER COMPANY DISCLAIMS ANY LIABILITY FOR DAMAGES OR INJURIES WHICH MAY OCCUR DUE TO FAILURE TO PROPERLY FOLLOW ASSEMBLY INSTRUCTIONS, PROPERLY ASSEMBLE THE PRODUCT, OR PROPERLY USE THE PRODUCT

Antes de la asamblea

- Utilice siempre las herramientas adecuadas.
- Trabaje en un área espaciosa, preferiblemente sobre una alfombra, cerca de donde se utilizará la unidad.
- Cantidad recomendada de personas necesarias para el montaje: **2**
- No apriete completamente los tornillos o pernos hasta que todo el artículo esté ensamblado.
- Siga los pasos de montaje en orden.
- Siempre coloque los muebles sobre una manta mientras los ensambla para evitar que se rayen.
- Asegúrese de revisar todos los materiales de embalaje cuidadosamente para detectar piezas pequeñas que puedan haberse aflojado dentro del paquete durante el envío.

NOTA: STEVE SILVER COMPANY RENUNCIA A CUALQUIER RESPONSABILIDAD POR DAÑOS O LESIONES QUE PUEDAN OCURRIR PARA NO SEGUIR CORRECTAMENTE LAS INSTRUCCIONES DE MONTAJE, ARMAR CORRECTAMENTE EL PRODUCTO O CORRECTAMENTE UTILIZAR EL PRODUCTO

Avant l'assemblage

- Utilisez toujours des outils appropriés.
- Travaillez dans un endroit spacieux, de préférence sur un tapis, près de l'endroit où l'appareil sera utilisé.
- Nombre recommandé de personnes nécessaires pour l'assemblage : **2**
- Ne serrez pas complètement les vis ou les boulons tant que l'ensemble de l'article n'est pas assemblé.
- Suivez les étapes de montage dans l'ordre.
- Posez toujours les meubles sur une couverture lors de l'assemblage pour éviter de rayer les meubles.
- Assurez-vous de vérifier soigneusement tous les matériaux d'emballage pour toute petite pièce qui aurait pu se détacher à l'intérieur de l'emballage pendant l'expédition.

REMARQUE : STEVE SILVER COMPANY DÉCLINE TOUTE RESPONSABILITÉ POUR LES DOMMAGES OU BLESSURES POUVANT SURVENIR EN RAISON POUR NE PAS SUIVRE CORRECTEMENT LES INSTRUCTIONS D'ASSEMBLAGE, ASSEMBLER CORRECTEMENT LE PRODUIT OU CORRECTEMENT UTILISER LE PRODUIT

Caution

- This product is designed for home use and not intended for commercial use.
- This product contains small components. Please ensure they are kept away from small children and pets.
- When assembling products that have electric cords always make sure the electrical cord is unplugged before assembly and be careful not to twist the electrical cord during assembly
- Do not use power tools to assemble your furniture. Power tools may strip or damage parts.
- When assembling shelves or entertainment centers, do not stand on lower shelves in order to assemble upper shelves - use a step ladder.
- Do not stand on tables, including but not limited to, end tables, coffee tables and dinner tables as tables are not to support the weight of a person.

Precaución

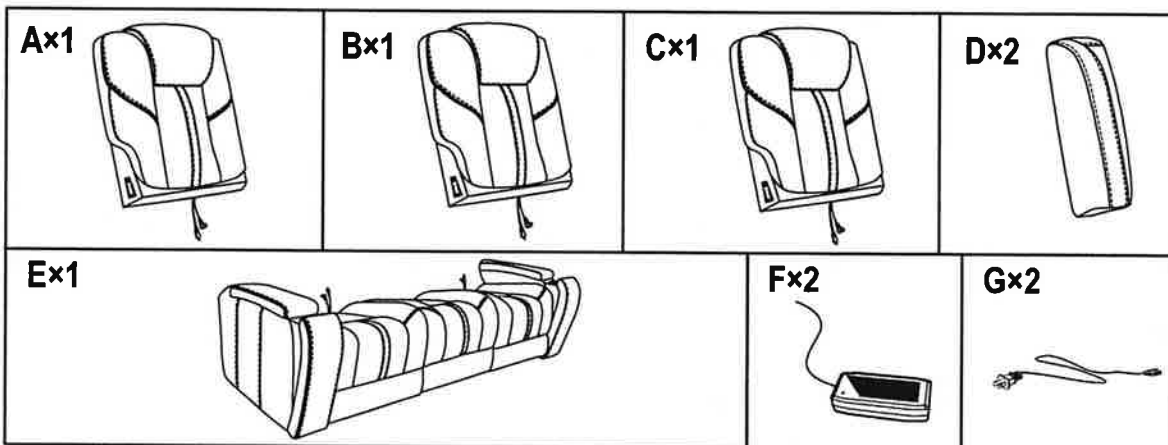
- Este producto está diseñado para uso doméstico y no para uso comercial.
- Este producto contiene componentes pequeños. Asegúrese de que se mantengan alejados de los niños pequeños y las mascotas.
- Al ensamblar productos que tienen cables eléctricos, asegúrese siempre de que el cable eléctrico esté desenchufado antes del ensamblaje y tenga cuidado de no torcer el cable eléctrico durante el ensamblaje.
- No utilice herramientas eléctricas para ensamblar sus muebles. Las herramientas eléctricas pueden pelar o dañar piezas.
- Cuando monte estantes o centros de entretenimiento, no se pare en los estantes inferiores para montar los estantes superiores; use una escalera de mano.
- No se pare sobre mesas, incluidas, entre otras, mesas auxiliares, mesas de café y mesas de comedor, ya que las mesas no deben soportar el peso de una persona.

Avertir

- Ce produit est conçu pour un usage domestique et non destiné à un usage commercial.
- Ce produit contient de petits composants. Veuillez vous assurer qu'ils sont tenus à l'écart des petits enfants et des animaux domestiques.
- Lors de l'assemblage de produits dotés de cordons électriques, assurez-vous toujours que le cordon électrique est débranché avant l'assemblage et veillez à ne pas tordre le cordon électrique pendant l'assemblage.
- N'utilisez pas d'outils électriques pour assembler vos meubles. Les outils électriques peuvent décaper ou endommager des pièces.
- Lors de l'assemblage d'étagères ou de centres de divertissement, ne vous tenez pas sur les étagères inférieures pour assembler les étagères supérieures - utilisez un escabeau.
- Ne vous tenez pas sur les tables, y compris, mais sans s'y limiter, les tables de bout, les tables basses et les tables à dîner, car les tables ne doivent pas supporter le poids d'une personne.

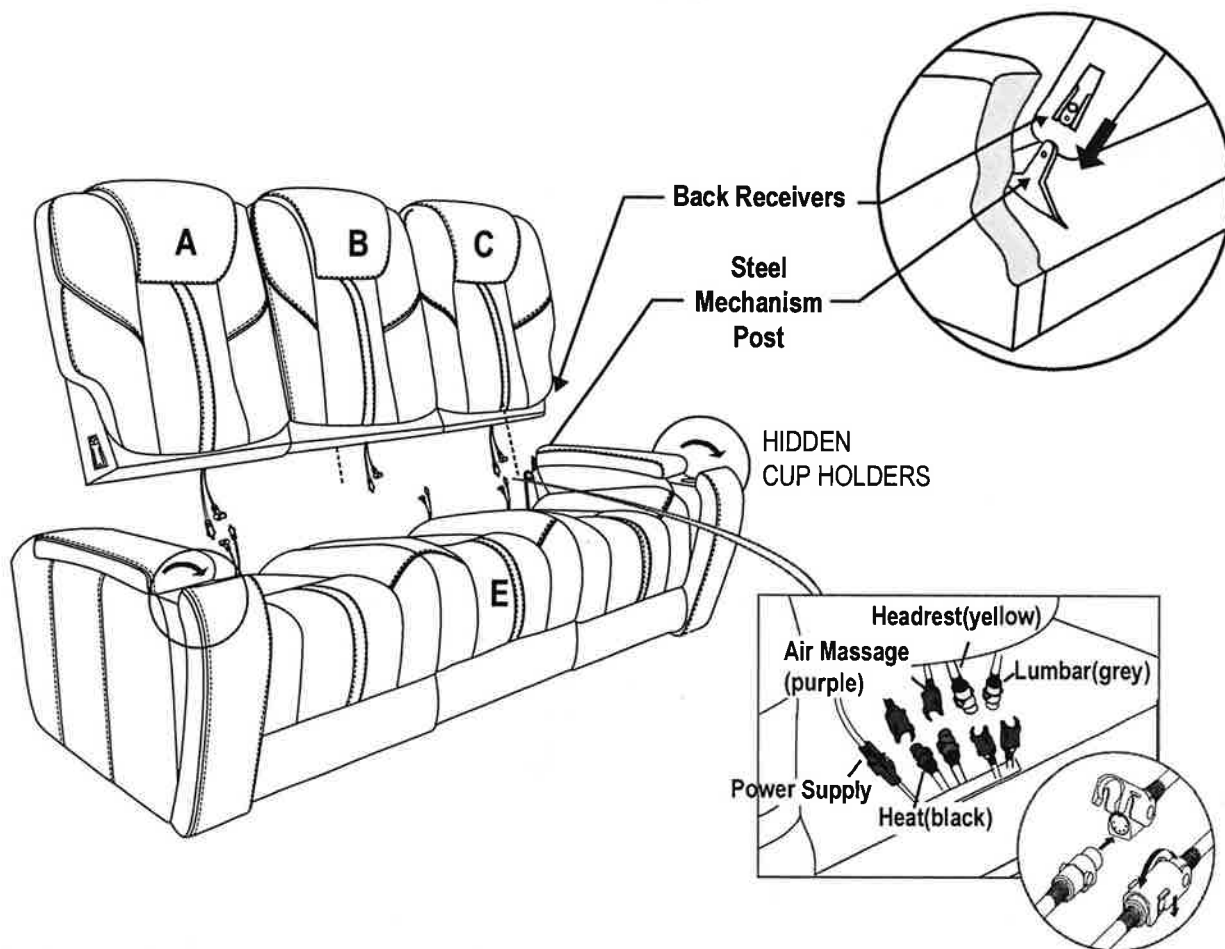
ASSEMBLY INSTRUCTIONS

CAUTION: PLEASE READ ALL INSTRUCTIONS CAREFULLY BEFORE STARTING ASSEMBLY PROCESS. IT IS RECOMMENDED TO USE TWO PEOPLE WHEN ASSEMBLING AND REMOVING THE INSIDE BACKS TO AND FROM THE BASE OF THE FURNITURE.



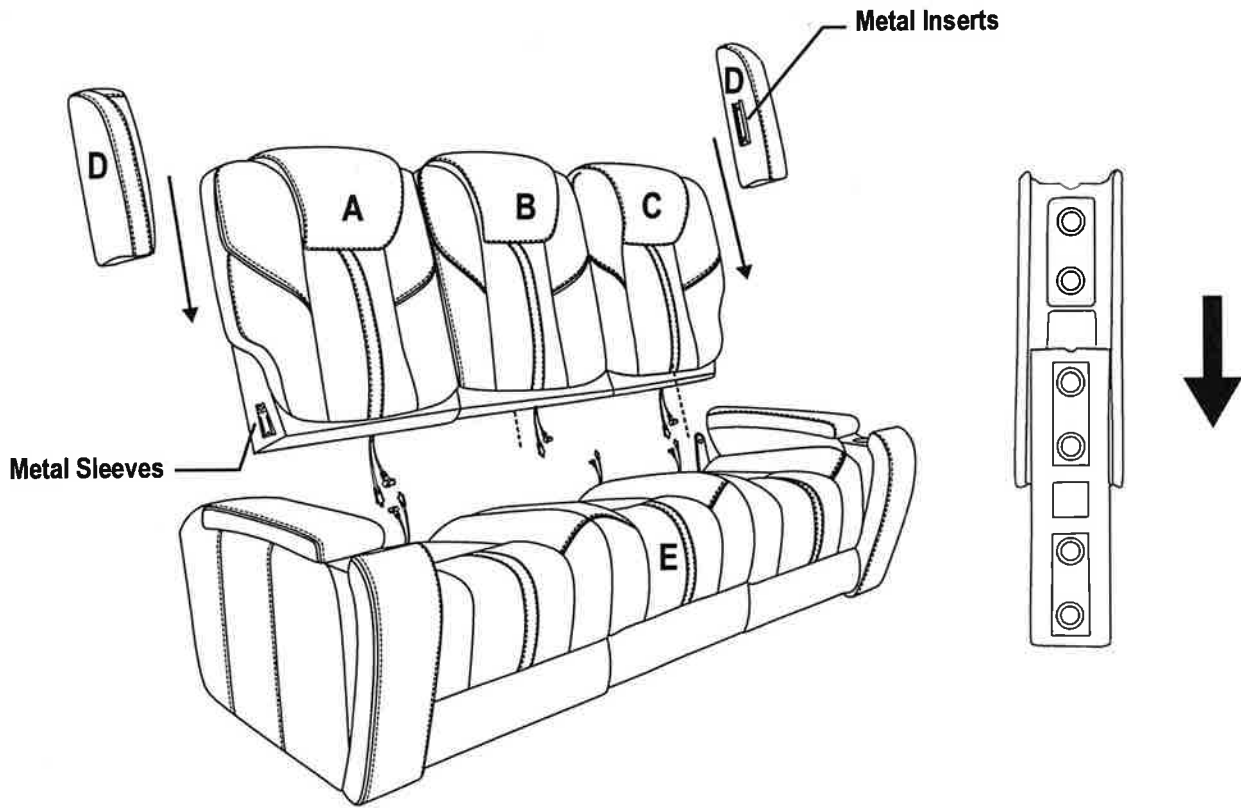
1

Slide inside back receivers onto the steel mechanism posts in the base of the sofa. Press both sides of the back firmly into place until the back automatically locks into track. Connect headrest, lumbar and other cable plugs.



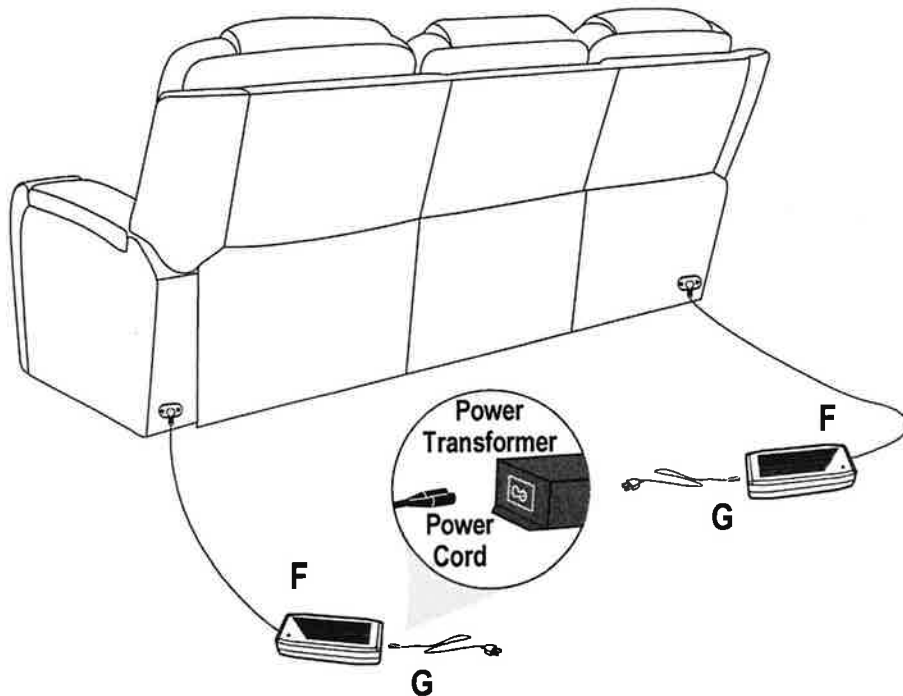
2

Slide the metal inserts on the chair's wings into the metal sleeves on the side of the sofa back. Slide the wings down until they are completely set on the backs metal sleeves.

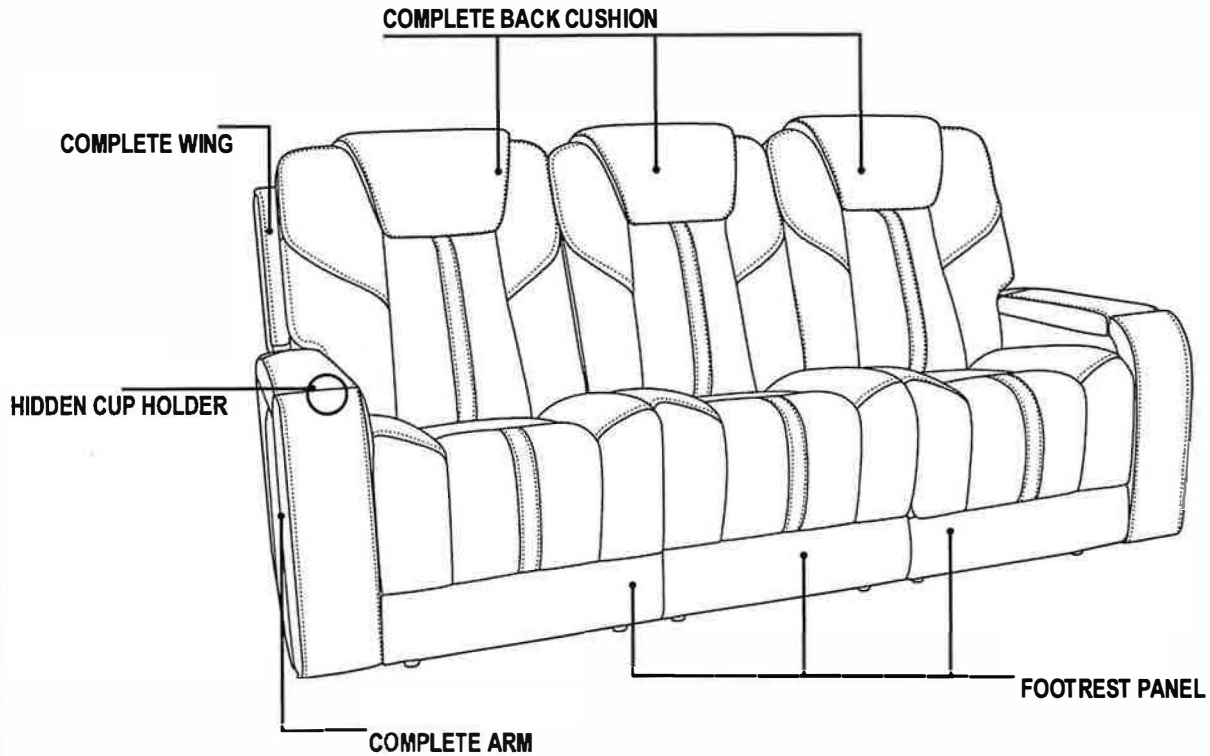


3

Connect the Power Transformer to the plug coming from the sofa.
Connect the Power Cord into the Power Transformer.
Connect the Power Cord into an electrical outlet near where the sofa will be positioned.



Spare part



PRODUCT DETAILS

SOFA BODY	STEEL+PLYWOOD
PRODUCT SIZE	L 87.0" x W 41.0" x H 42.0"
CARTON SIZE	L 88.6" x W 33.5" x H 30.3"
SEAT HEIGHT	19.5"
SEAT DEPTH	21.0"
NET WEIGHT	332.2 LBS
GROSS WEIGHT	364.9 LBS
CU.FT.	52.0

FABRIC CONTENT: LEATHER FRONTS + PU SIDES
 FABRIC CONTENT: LEATHER FRONTS + PU SIDES
 FRAME MATERIAL: WOOD & IRON
 FABRIC CLEANING CODE : W
 USER MANUAL : SOLVENT AND /OR WATER BASED CLEANERS
 This fabric is not machine washable.
 Allow +/-3% residual shrinkage.
 Do not use cleaning products containing brightening agents

OPERATING YOUR Triple Power Home Theater Sofa

Caution: Read the important instructions below before operating your power mechanized equipment

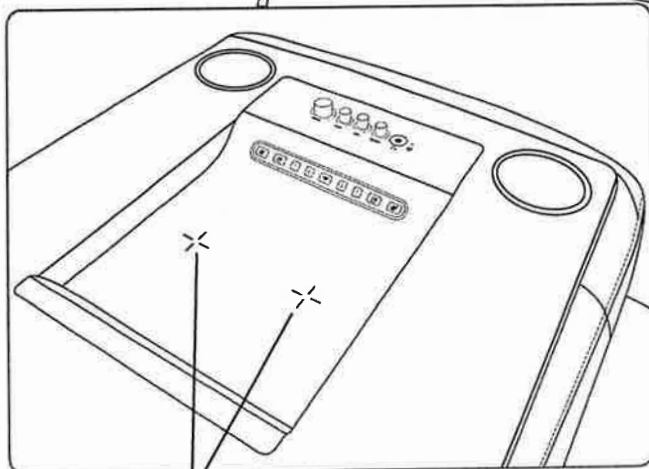
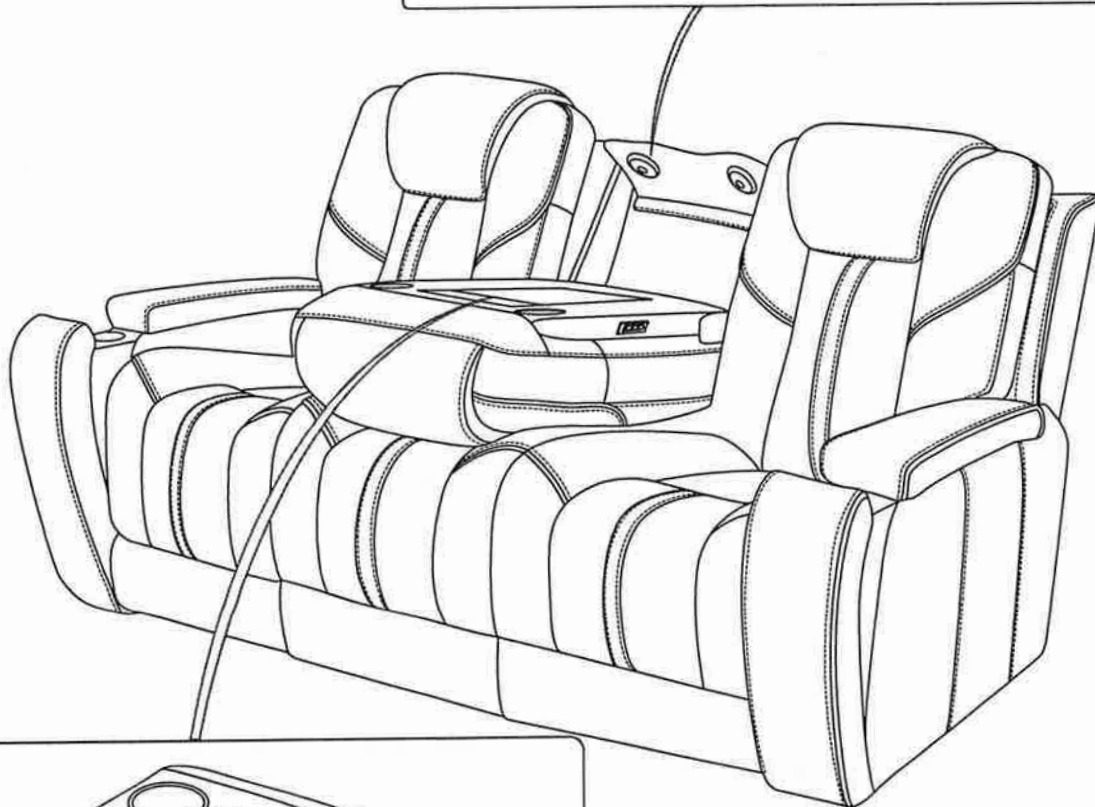
Do not allow children to play on or operate this power mechanized equipment

How to Use LED Lights

Press the Middle of LED Lights to activate the LED Light.

Press the Middle of LED Lights again to activate the stronger LED Light.

Press the Middle of LED Lights again to turn off the light.



Wireless Charging Tray

Product Protected By Following Patents:

Patented Power Hidden Cupholder

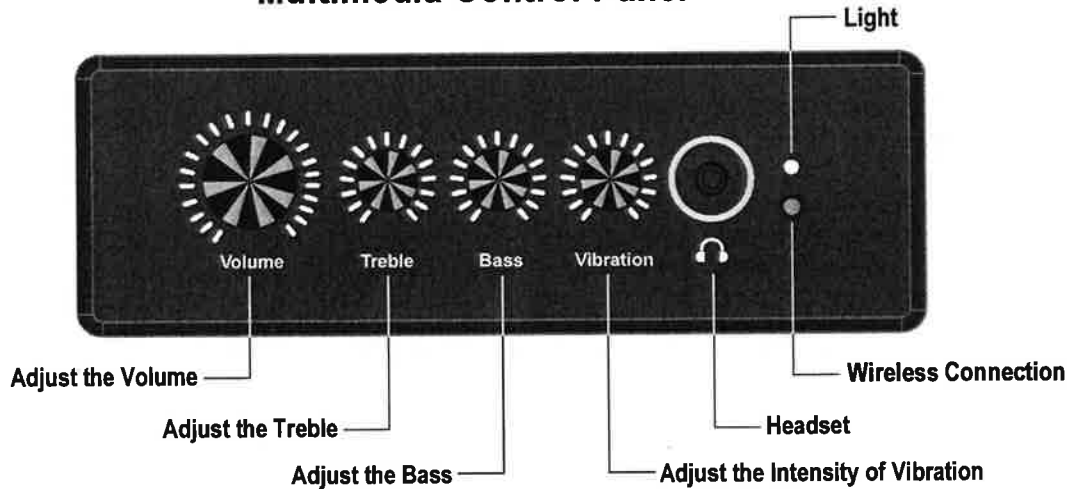
US Patent: 10,681,987

Patented Articulating Power Headrest & Lumbar

US Patent: 10,736,423

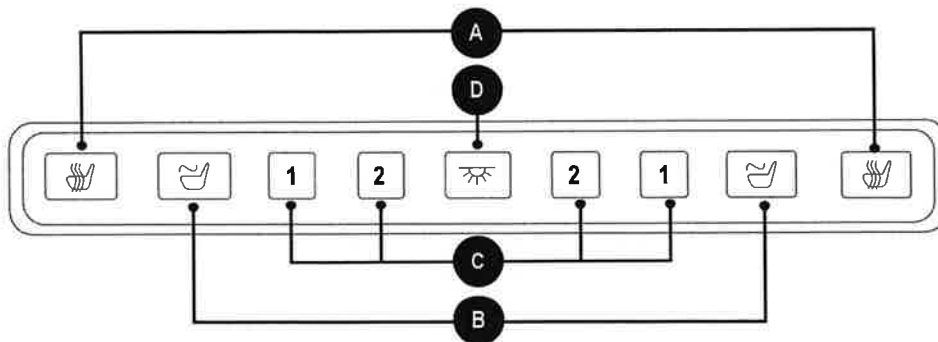
Made In Vietnam
Hecho en Vietnam
Fabriqué au Vietnam

Multimedia Control Panel



How to Connect Wireless

Press and hold the Wireless button, the LEDs on the memory buttons will flash to indicate that the control is in "pair" mode. Switch on the pairing function on your device.



A HEAT BUTTON

Press the heat button to activate the heat function.

Press again to cycle intensity through low, medium, and high heat.

B AIR MESSAGE BUTTON

Press the air massage button to activate the massage function. Press again to cycle through low, medium, and high intensity.

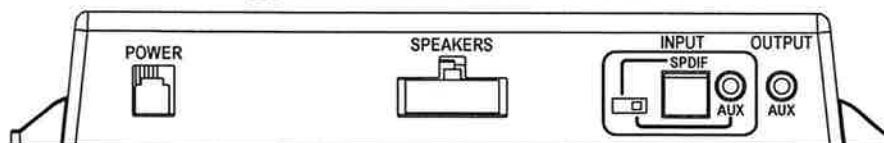
C Set Up Memory Function

To setup memory function, adjust the chair position as the user desires, then press and hold the "1" & "2" together for 4 to 5 seconds, then press "1" or "2" to save the position until you hear a beep sound from the control box, to indicate that setup is complete.

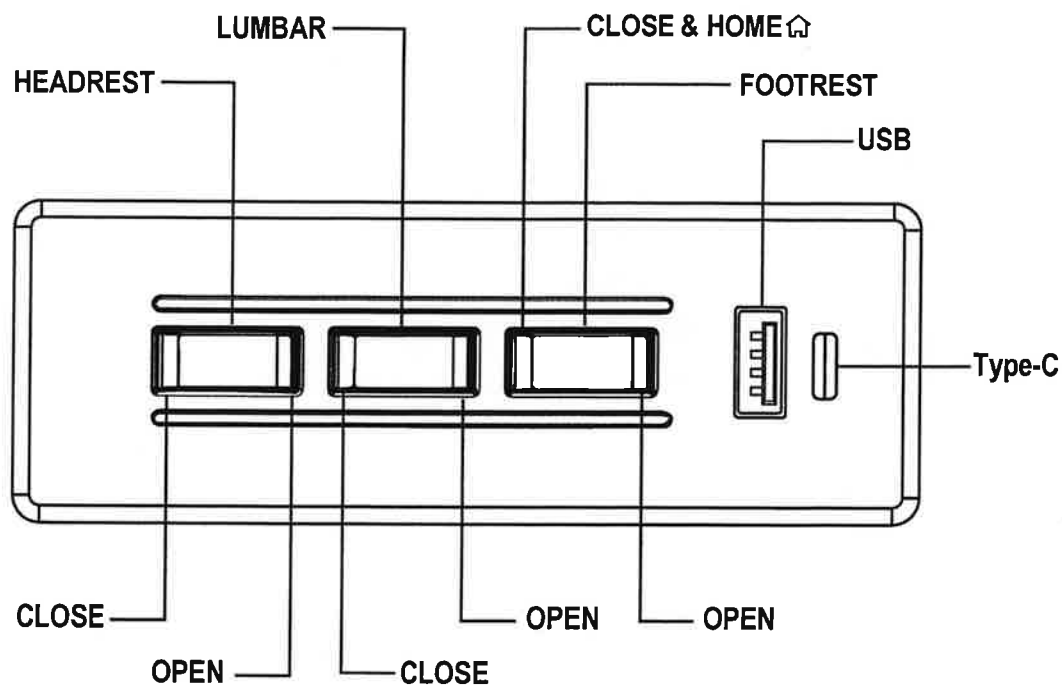
D Lighting:

Press the lighting button to turn on or turn off.

Multimedia Control Box



This is located behind the back flap of the center seat of the sofa. AUX input, AUX output, and S/PDIF are located on the Multimedia Control Box. You can connect multiple devices by using a 3.5mm AUX cable connecting the AUX input to the audio source and then connecting another 3.5mm AUX cable from AUX output to the AUX input of the next Multimedia control box. 3.5mm AUX cable sold separately.



To recline: Sit on the furniture, and press the front of the button closest to the footrest to smoothly raise the footrest and recline to any position. To lower the footrest and return to an upright position, press the back side of the button closest to the footrest.

To adjust headrest: Press the front of the button closest to the backrest to smoothly raise and adjust the headrest to any position. To lower the headrest and return it to its original position, press the back side of the button closest to the backrest.

To adjust lumbar support: Press the front of the center button to smoothly raise and adjust the lumbar support to any position. To lower the lumbar support and return it to its original position, press the back side of the center button.

To close all: To simultaneously return the headrest, footrest, and lumbar support to their original positions, press and hold the back side of the button closest to the footrest.

FCC INSTRUCTION

CAUTION: Changes or modifications not expressly approved by the party responsible for compliance could void the user's authority to operate the equipment.

NOTE: This equipment has been tested and found to comply with the limits for a Class B digital device, pursuant to Part 15 of the FCC Rules. These limits are designed to provide reasonable protection against harmful interference in a residential installation. This equipment generates, uses, and can radiate radio frequency energy and, if not installed and used in accordance with the instructions, may cause harmful interference to radio communications. However, there is no guarantee that interference will not occur in a particular installation. If this equipment does cause harmful interference to radio or television reception, which can be determined by turning the equipment off and on, the user is encouraged to try to correct the interference by one more of the following measures:

- Reorient or relocate the receiving antenna.
- Increase the distance between the equipment and receiver.
- Connect the equipment into an outlet on a circuit different from that to which the receiver is connected.
- Consult the dealer or an experienced radio/TV technician for help.

STEVE SILVER

FURNITURE

Customer Service

If you have any questions regarding the use of this unit or find that your unit needs service, please contact your retailer.