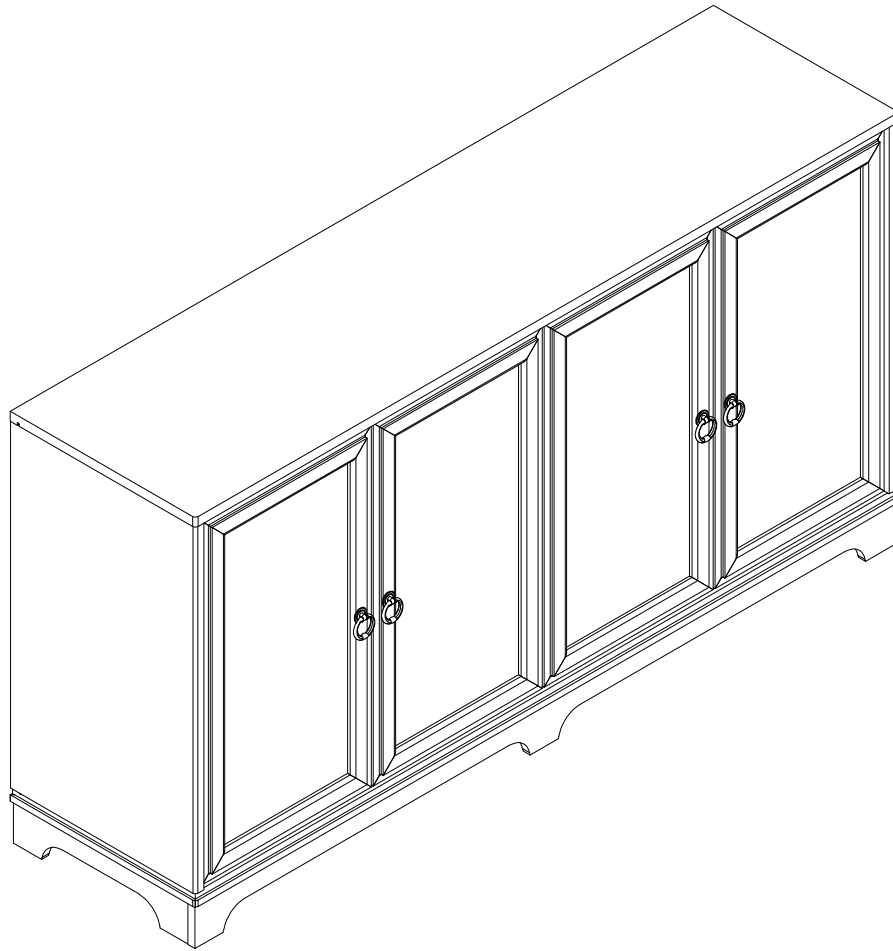
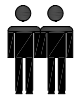


4 DOOR SIDEBOARD



Dimensions	No. people	Assembly Time
Width: 150.00cm Depth: 39.50cm Height: 80.50cm		2.5 Hours (approx.)



Important - Please read these instructions fully before starting assembly

Safety and Care Advice

Important - Please read these instructions fully before starting assembly

- Check you have all the components and tools listed on next pages.
- Remove all fittings from the plastic bags and separate them into groups.
- Keep children and animals away from the work area, small parts could choke if swallowed.
- Make sure you have enough space to lay out the parts before starting.
- Do not stand or put weight on the product, this could cause damage.
- Assemble the item as close to its final position (in the same room) as possible.
- Assemble on a soft, level surface to avoid damaging the unit or your floor.
- We do not recommend the use of power drill/drivers for inserting screws, as this could damage the unit. Only use hand screwdrivers.
- Dispose of all packaging carefully and responsibly.
- Warning : Do not over tighten the handle screw that way break the mirror.



Care and Maintenance

- Please clean using cloth with glass cleaner, do not use bleach or abrasive cleaners.
- From time to time check that there are no loose screws on this unit.
- This product should not be discarded with household waste. Take to your local authority waste disposal centre.

•Assemble all parts and bolts loosely during assembly,only once the product is complete should you fully tighten the bolts

•Regularly check and ensure That all bolts and fittings are tightened properly.

WARNING

In order to help prevent overturning- please follow these instructions

To help prevent product toppling over please follow the below steps:-

Use the anti tip stap or wall fixing method provided (if applicable)

Do not allow children to climb or hang on the furniture

Do not open more than one drawer at a time

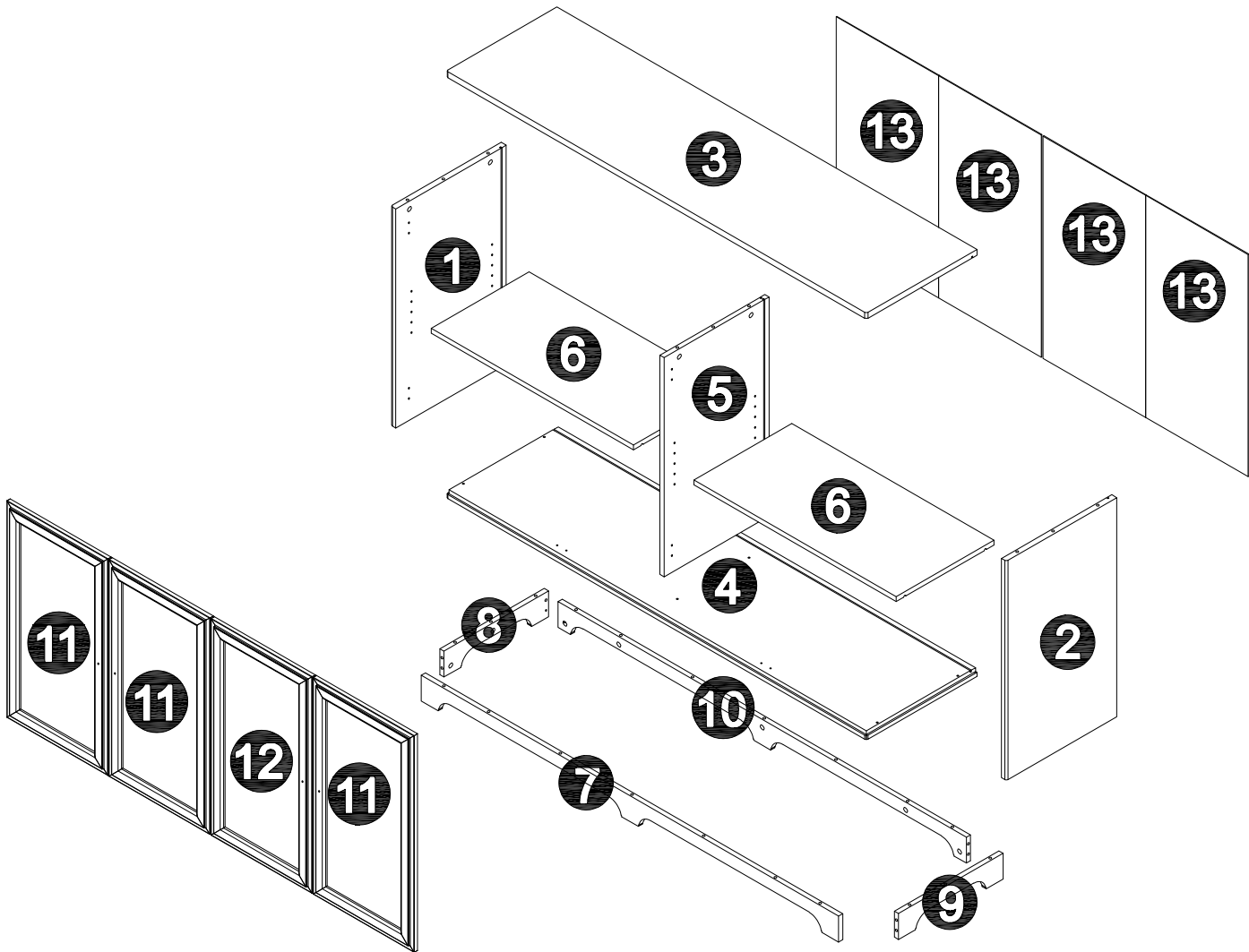
Do not place heavy items in the top drawers

Do not place heavy items on top of the furniture, unless the furniture has been designed for this purpose

please note that only the anti tip strap is provided.

You will need to provide wall plugs and screws applicable for your wall type

Exploded View



Components - Panels

Please check that you have all the components listed below before constructing your items.

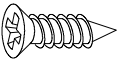
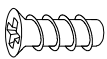
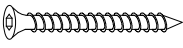
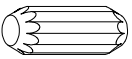
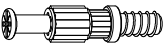
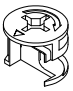
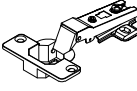
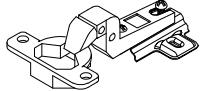
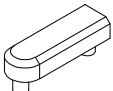

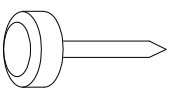
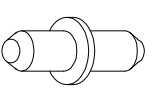
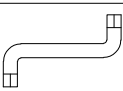
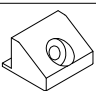
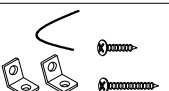
Part No	Description	Qty
1	Side Panel (Left)	1
2	Side Panel (Right)	1
3	Top Panel	1
4	Bottom Panel	1
5	Divider Panel	1
6	Adjustable Shelf Panel	2
7	Bottom Support Panel (Front)	1
8	Bottom Support Panel (Left)	1
9	Bottom Support Panel (Right)	1
10	Bottom Support Panel (Back)	1
11	Door Panel	3
12	Door Panel	1
13	Back Panel	4

Components - Fixings

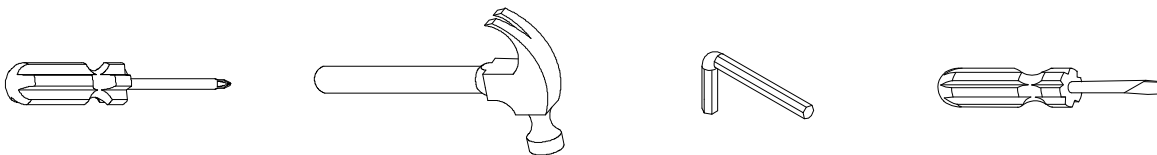
Please check that you have all the components listed below before constructing your items.

Note: The quantities below are the correct amount to complete the assembly. In some cases more fittings may be supplied than are required.

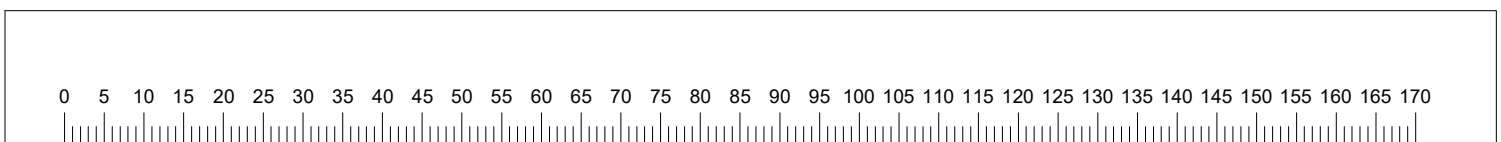
***Hardware packed separately according to the code.**

(A)	CSK M3.5 X 15MM	(B)	EURO SCREW M6 X 13MM	(C)	JCBC(W) M6 X 40MM	(D)	WOOD DOWEL Ø8 X 25MM
							
	28 unit		16 unit		6 unit		19 unit
(E)	BOLT DOWEL 20 X 5MM	(F)	CAM 15/15	(G)	MTL HINGES (2/8")	(H)	MTL HINGES (7/8")
							
	18 unit		18 unit		4 sets		4 sets
(J)	PLASTIC DOOR STOPPER	(K)	MTL RING HANDLE (MC4 X 22MM)	(L)	PLASTIC LEG STUD	(M)	MTL ADJ SHELF STUD
							
	4 unit		4 sets		6 unit		8 unit
(N)	ALLEN KEY	(P)	BACKPLY STOPPER	(Q)	TIPPING RESTRAINT KIT		
							
	1 unit		12 unit		2 Set		

Tools Required



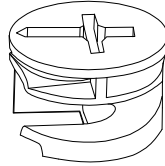
Ruler - Use this to measure your screws (mm)



Using Camlocks







SPECIAL TIPS FOR FITTING CAM-LOCKS AND CAM-BOLTS

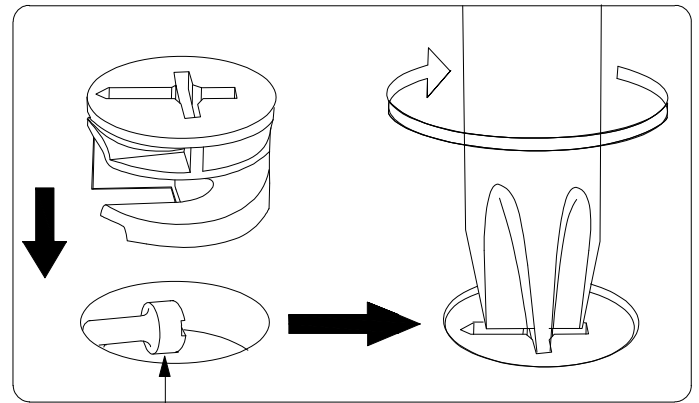
CAM-LOCK



Align with long point of cross

WHEN FITTING CAMS
ENSURE STARTING POSITION IS CORRECT
BEFORE YOU INSERT CONNECTING CAM-BOLTS
TURN CLOCKWISE UNTIL SECURE

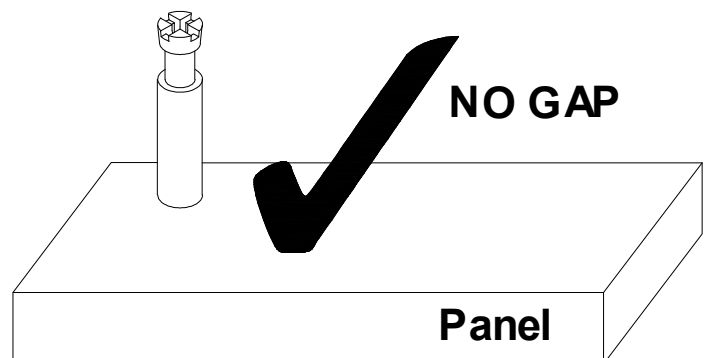
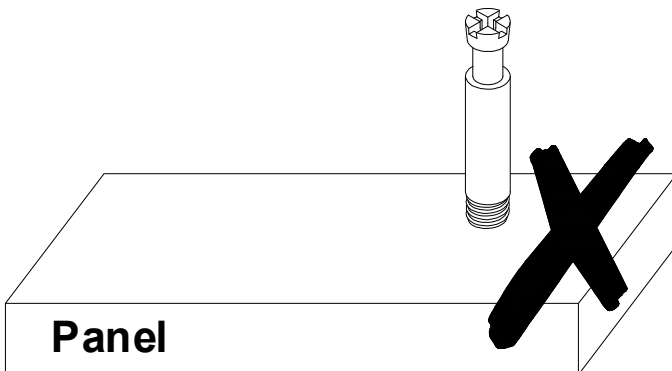
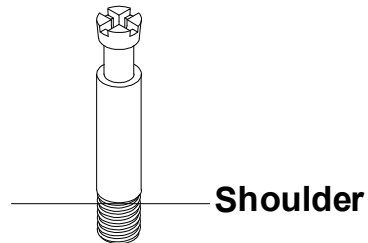
✓				✗
				
	CORRECT	WRONG		



Lock head needs to be in centre

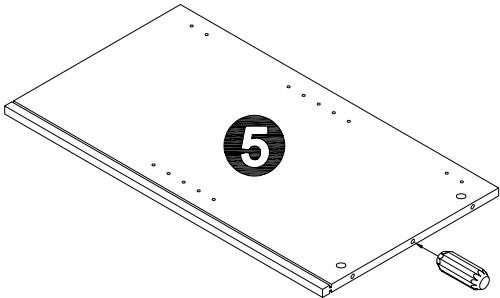
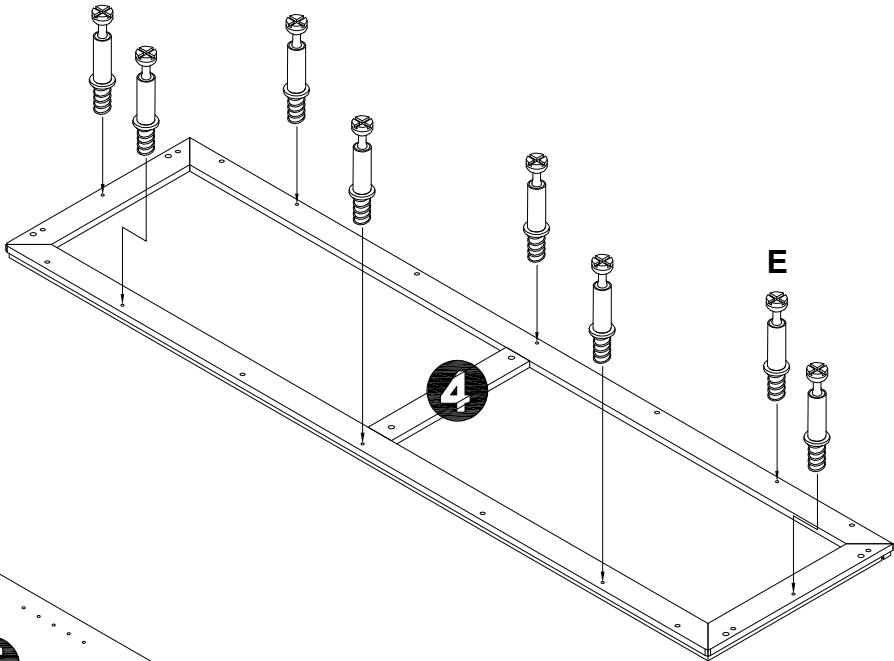
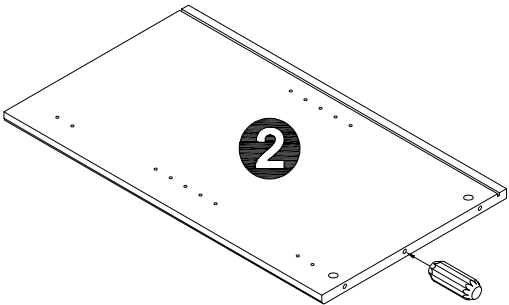
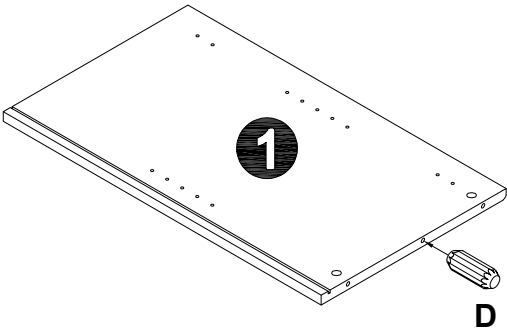
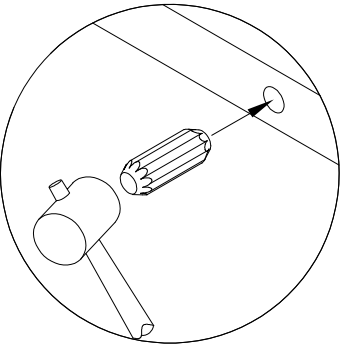
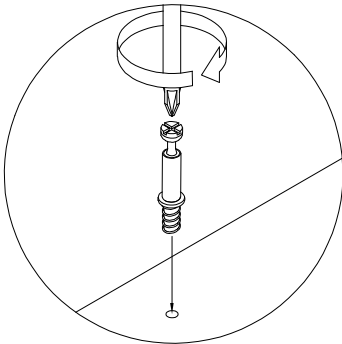
CAM-BOLT

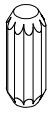

Tighten until shoulder is flush with panel. Do not overtighten or undertighten (see example below)



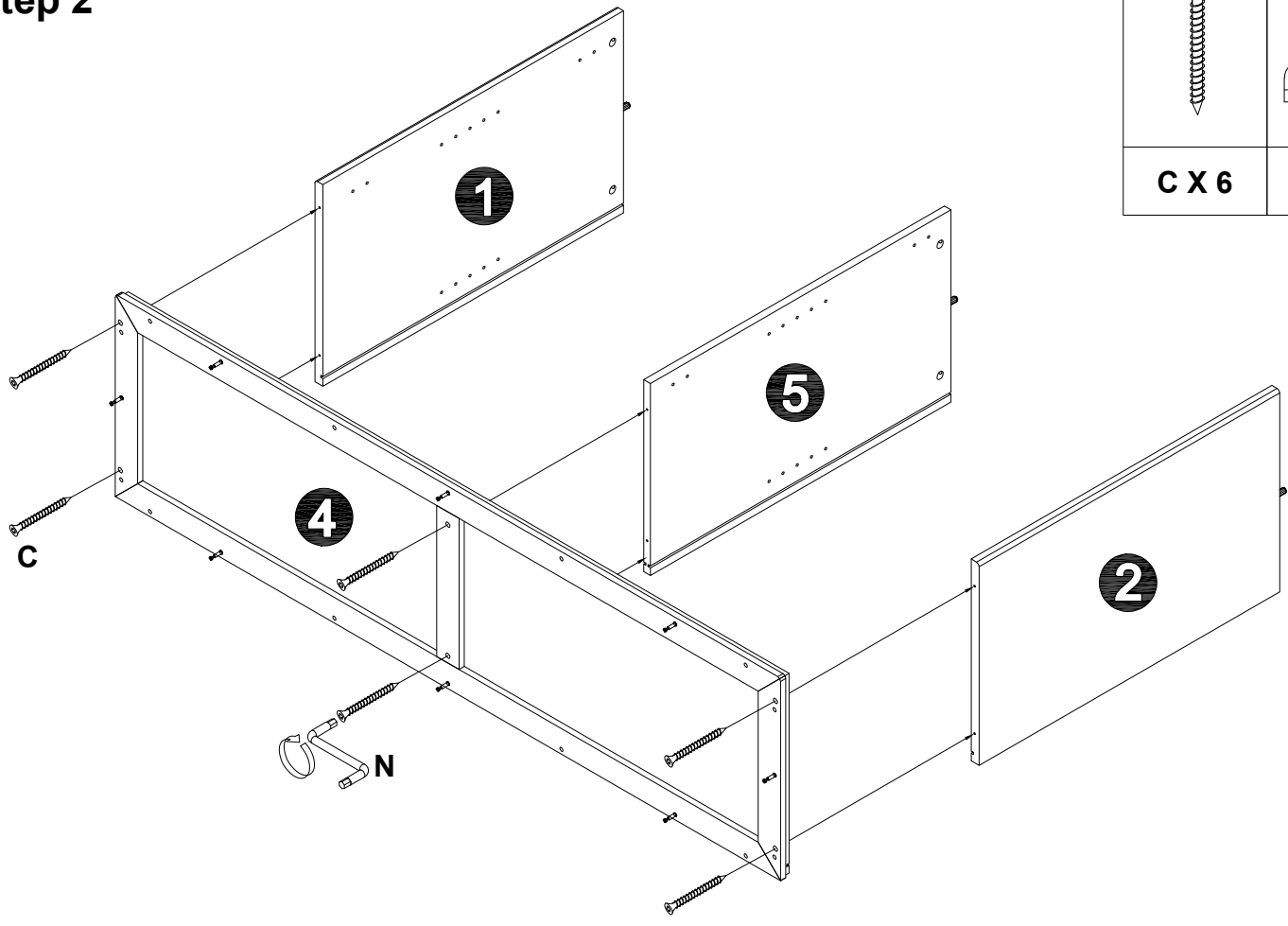
Assembly Instructions

Step 1

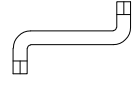


	
DX3	EX8

Step 2

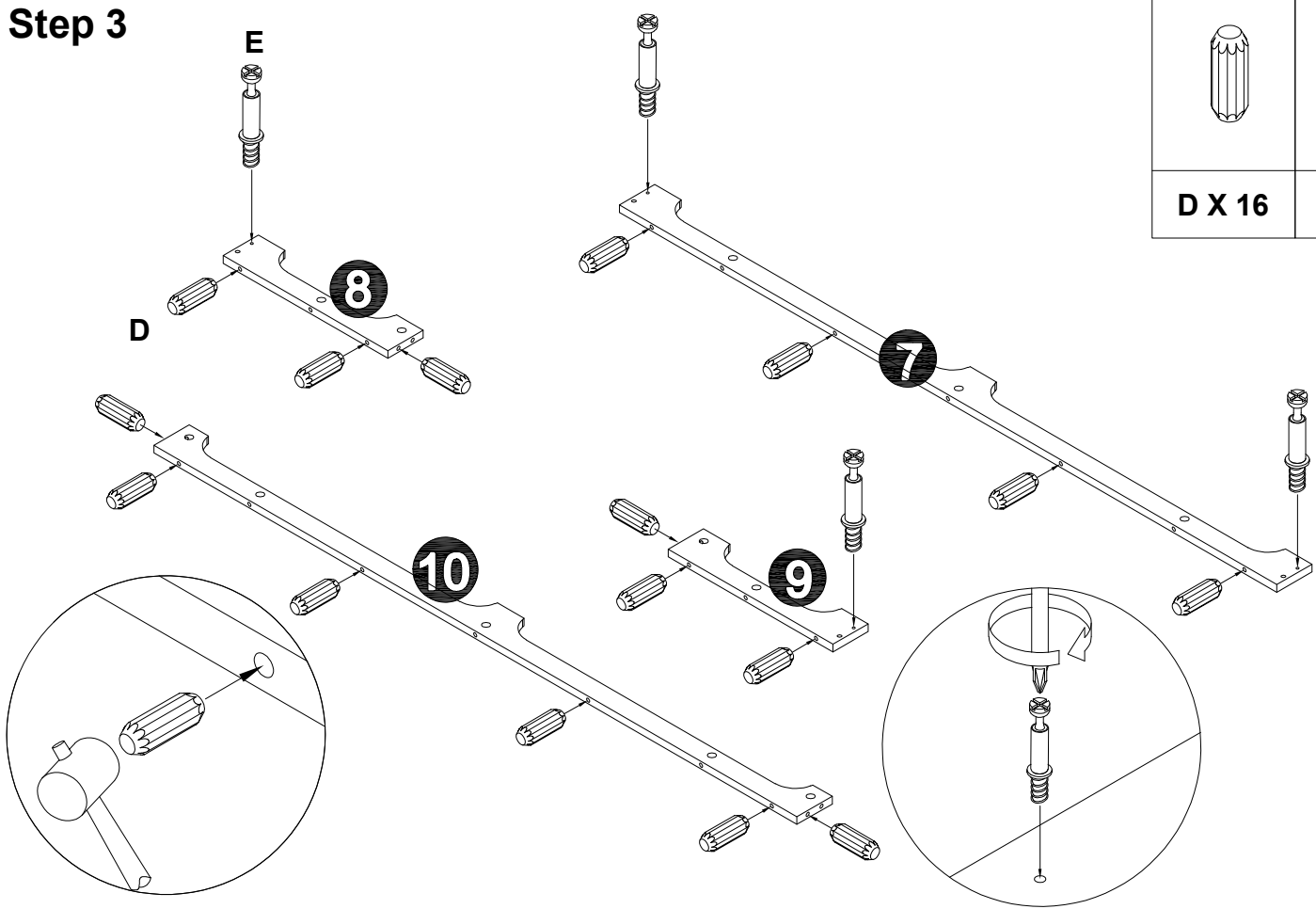


C X 6

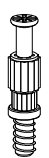


N

Step 3

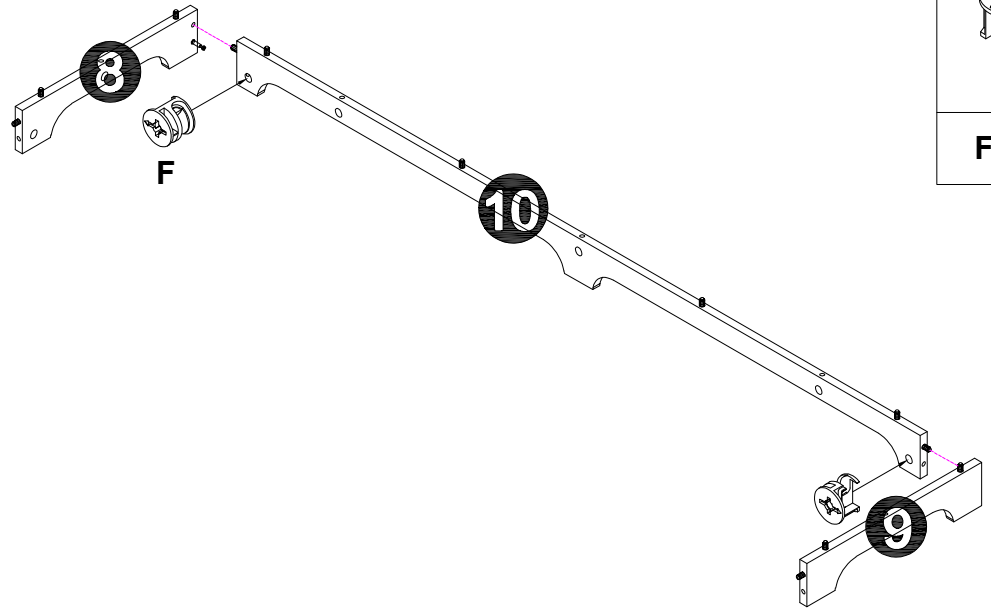
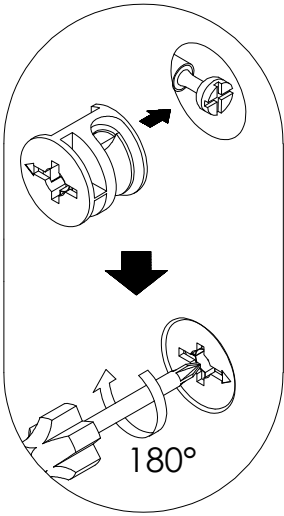


D X 16



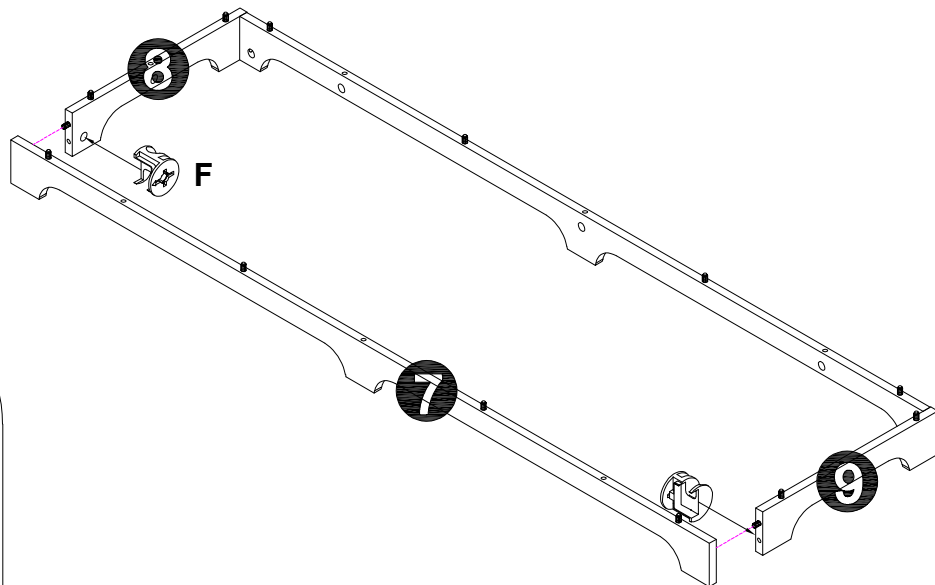
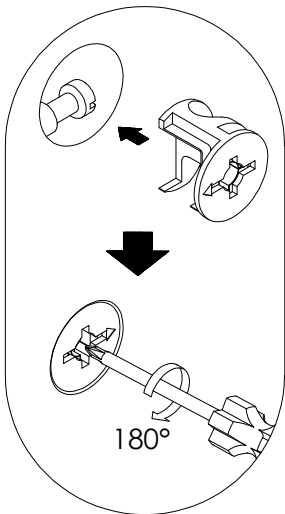
E X 4

Step 4



FX 2

Step 5

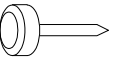


FX 2

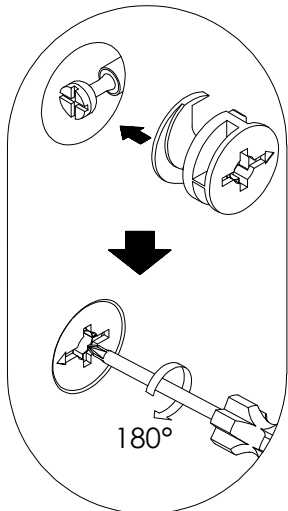
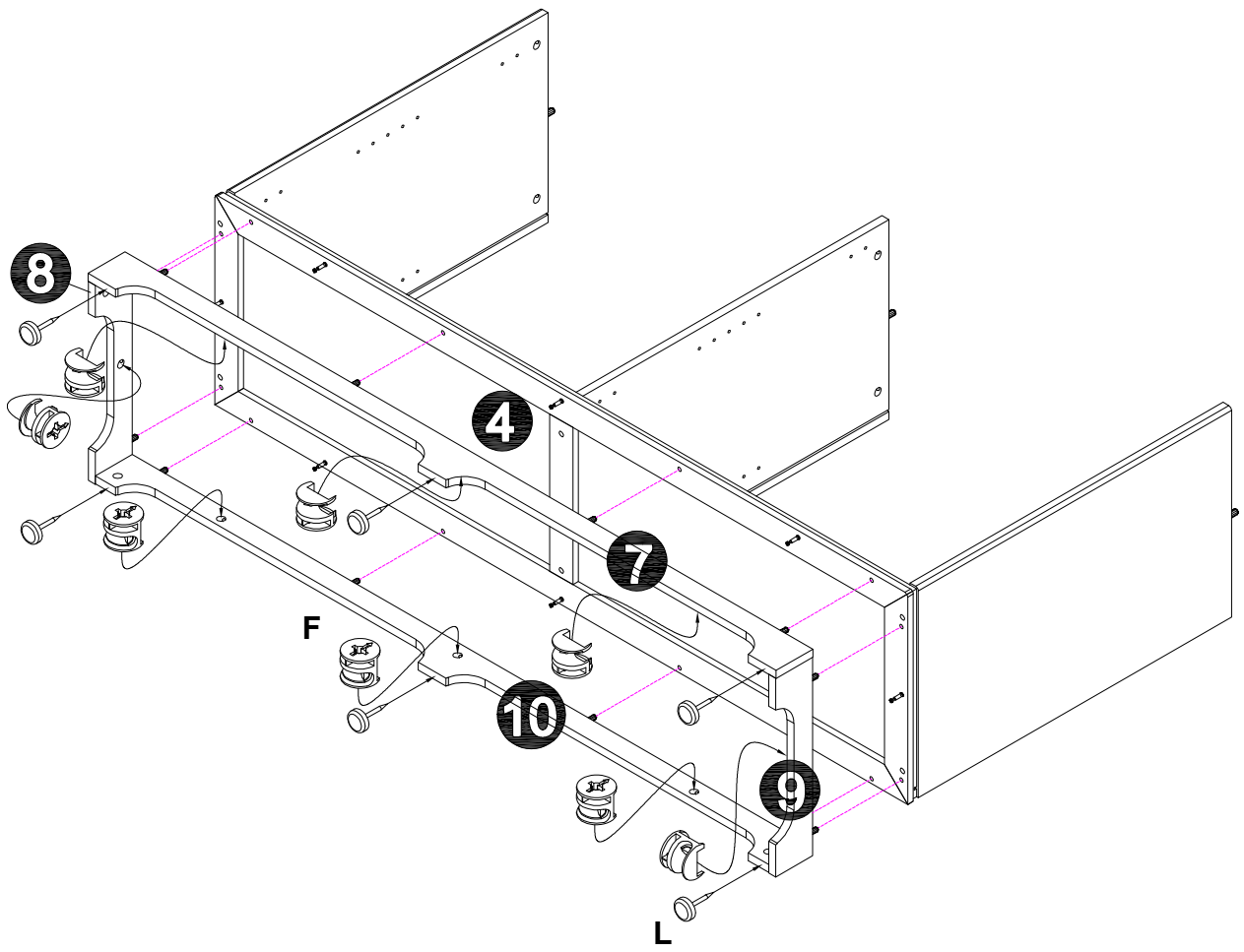
Step 6



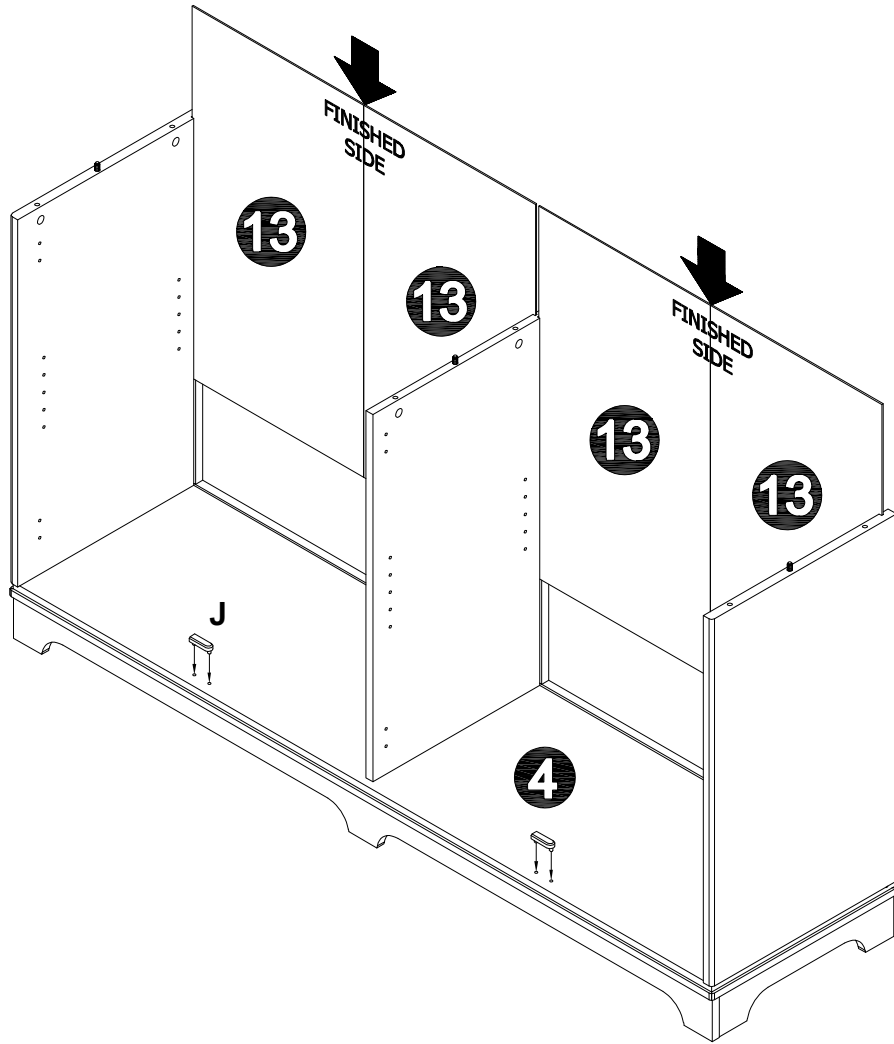
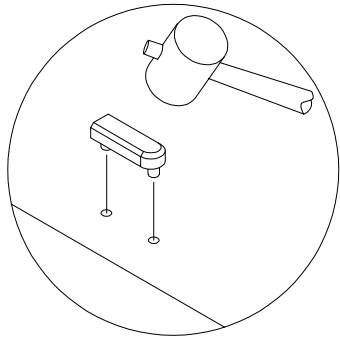
FX 8



LX 6

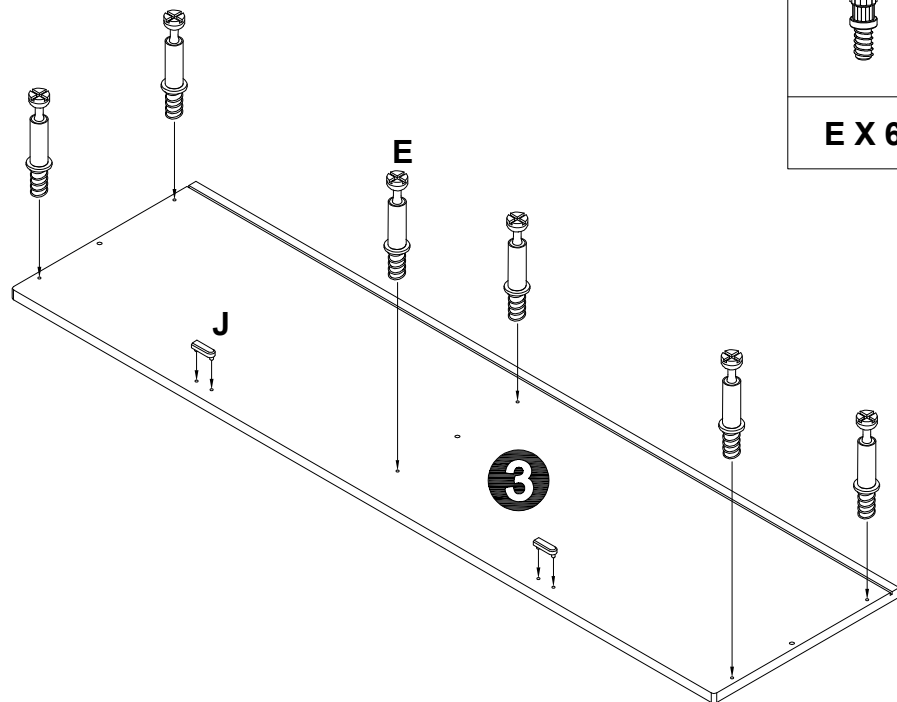
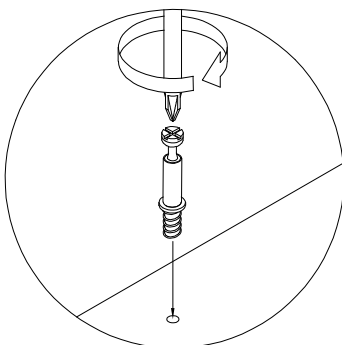
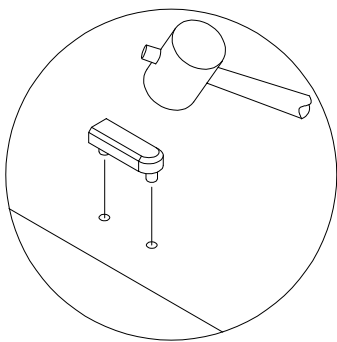


Step 7



J X 2

Step 8



E X 6

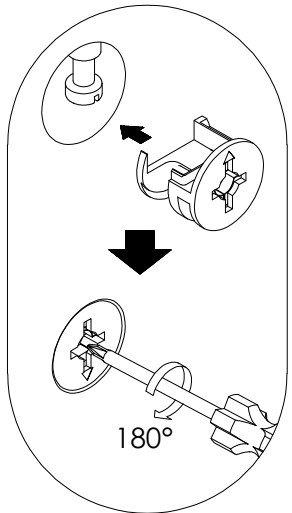
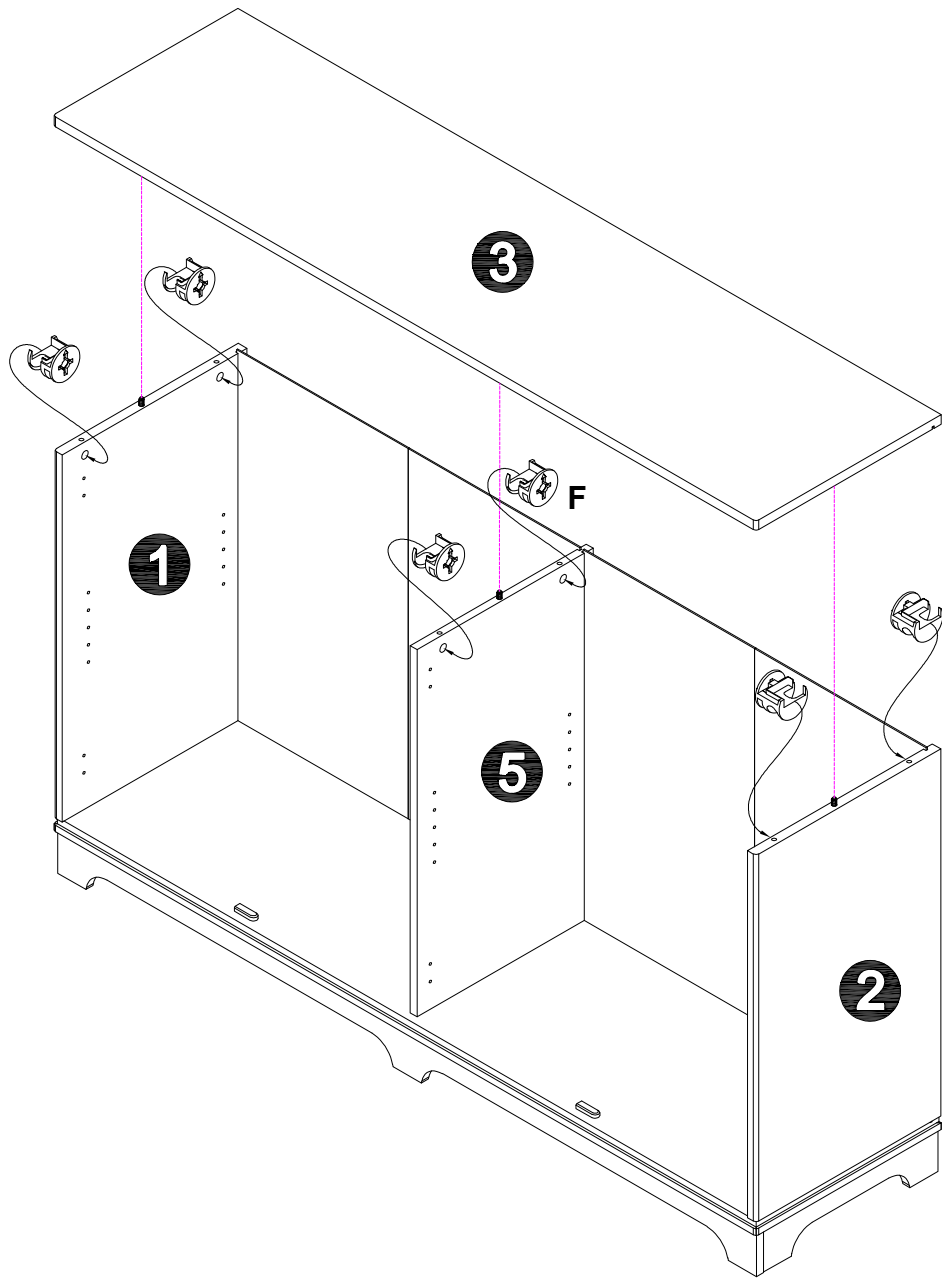


J X 2

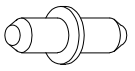
Step 9



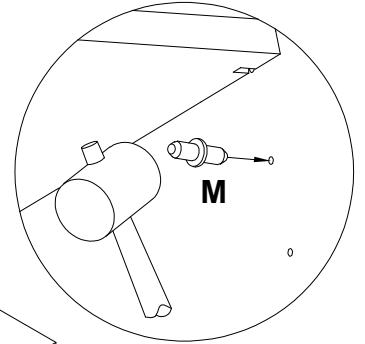
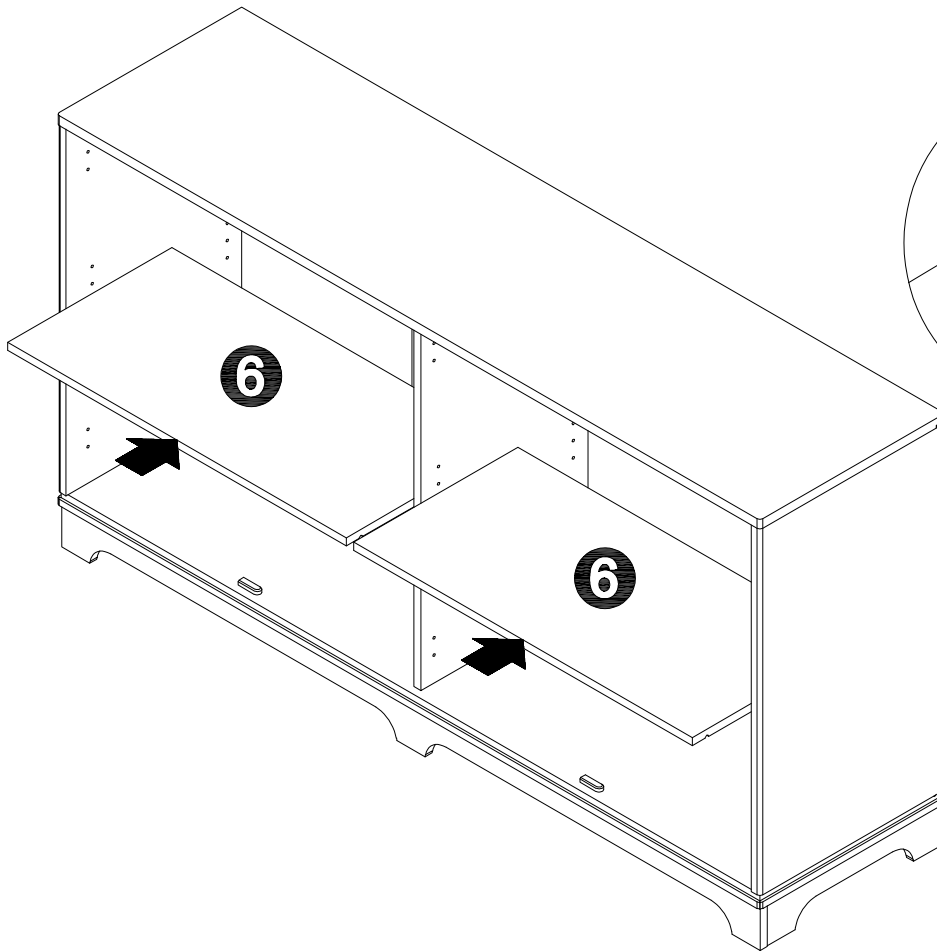
FX 6



Step 10



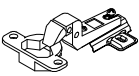
M X 8



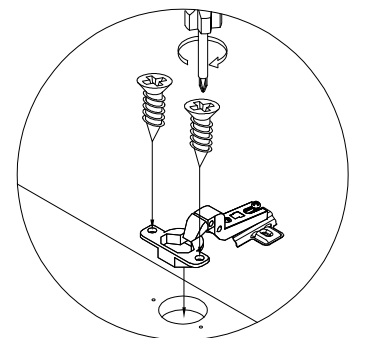
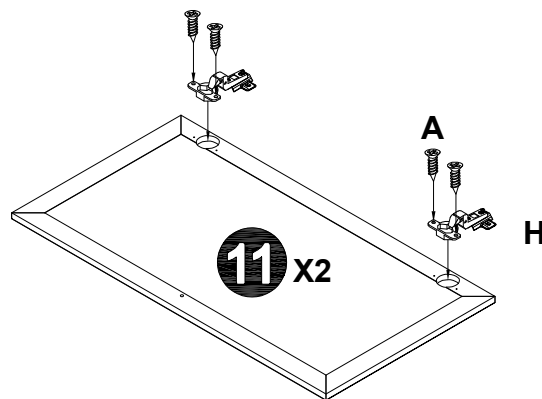
Step 11



A X 16



H X 4

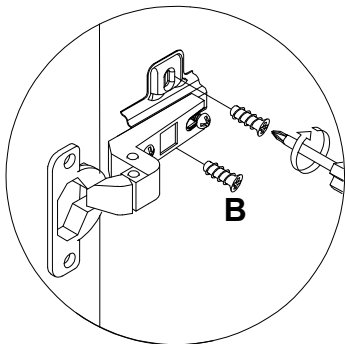
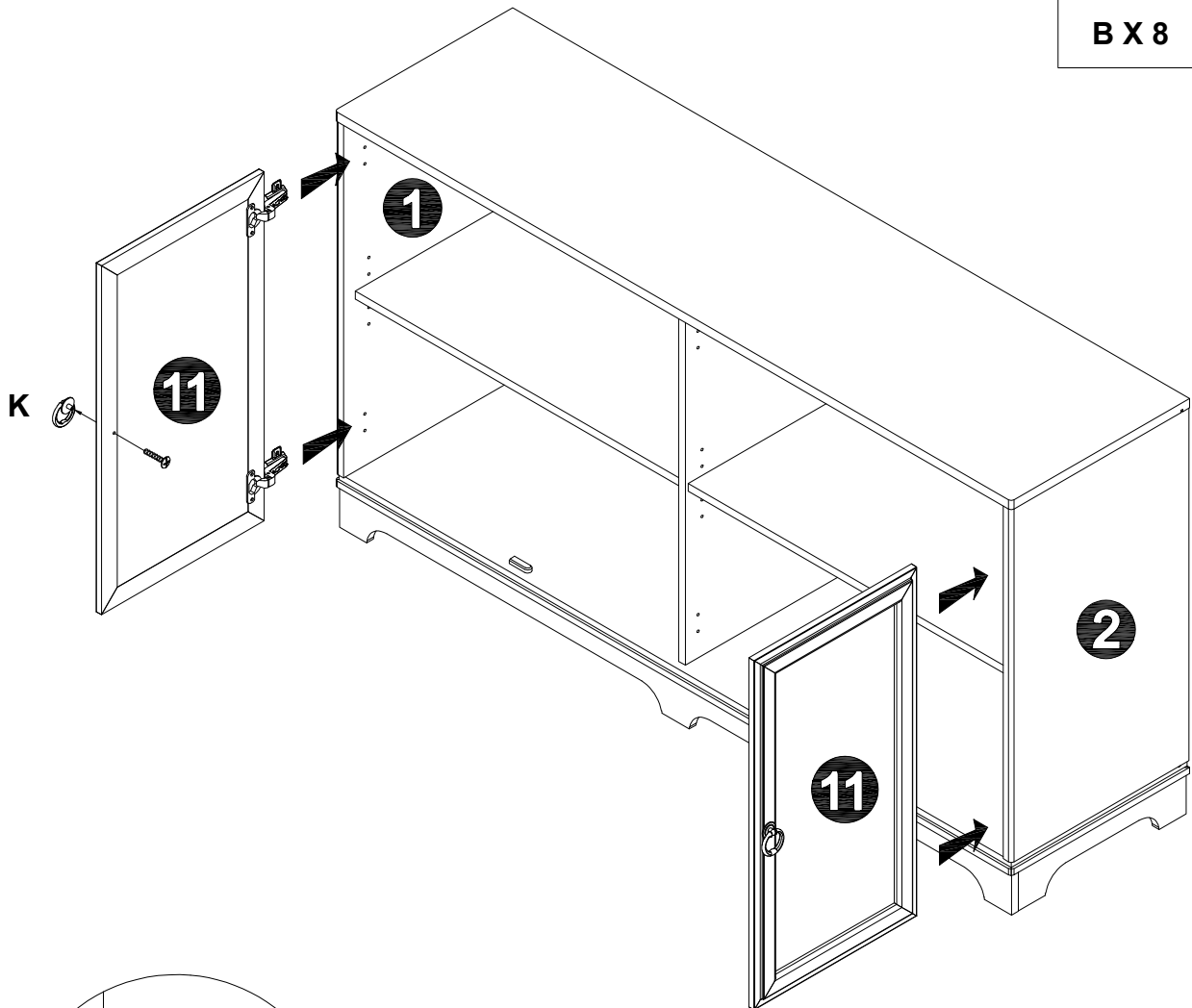


Step 12

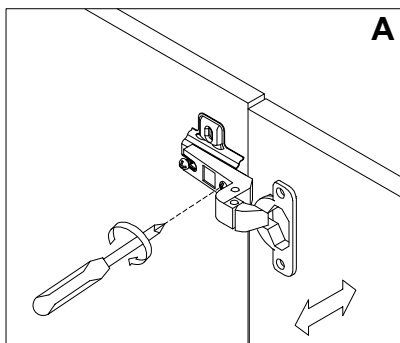


B X 8

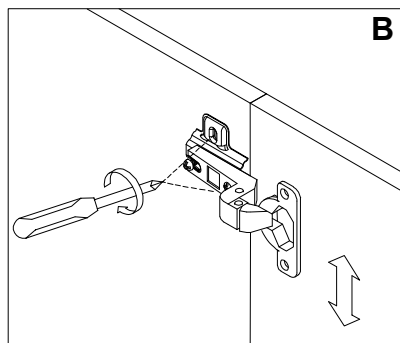
K X 2



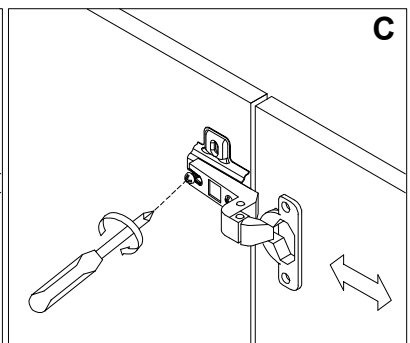
HINGE ADJUSTMENT GUIDE



A. Lateral adjustment by screw adjusting

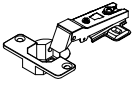


B. Vertical adjustment via slot in the mounting plate



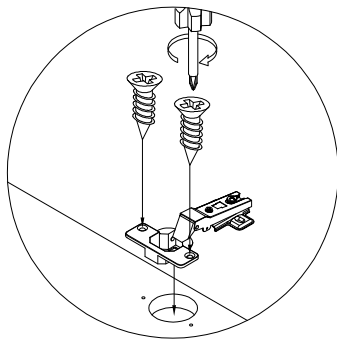
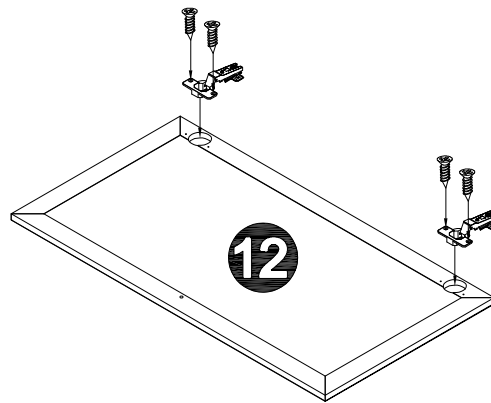
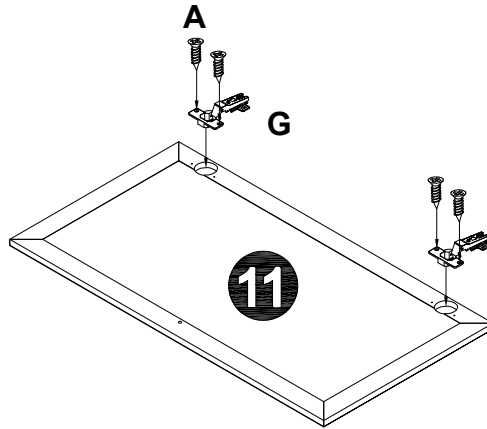
C. Front-to-Back by the slacking the hinge arm mounting screw

Step 13



A X 8

G X 4

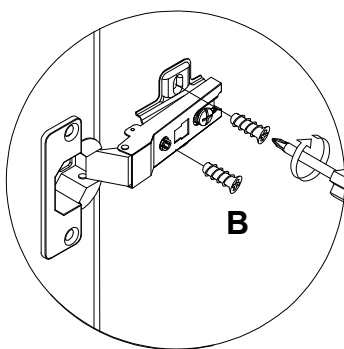
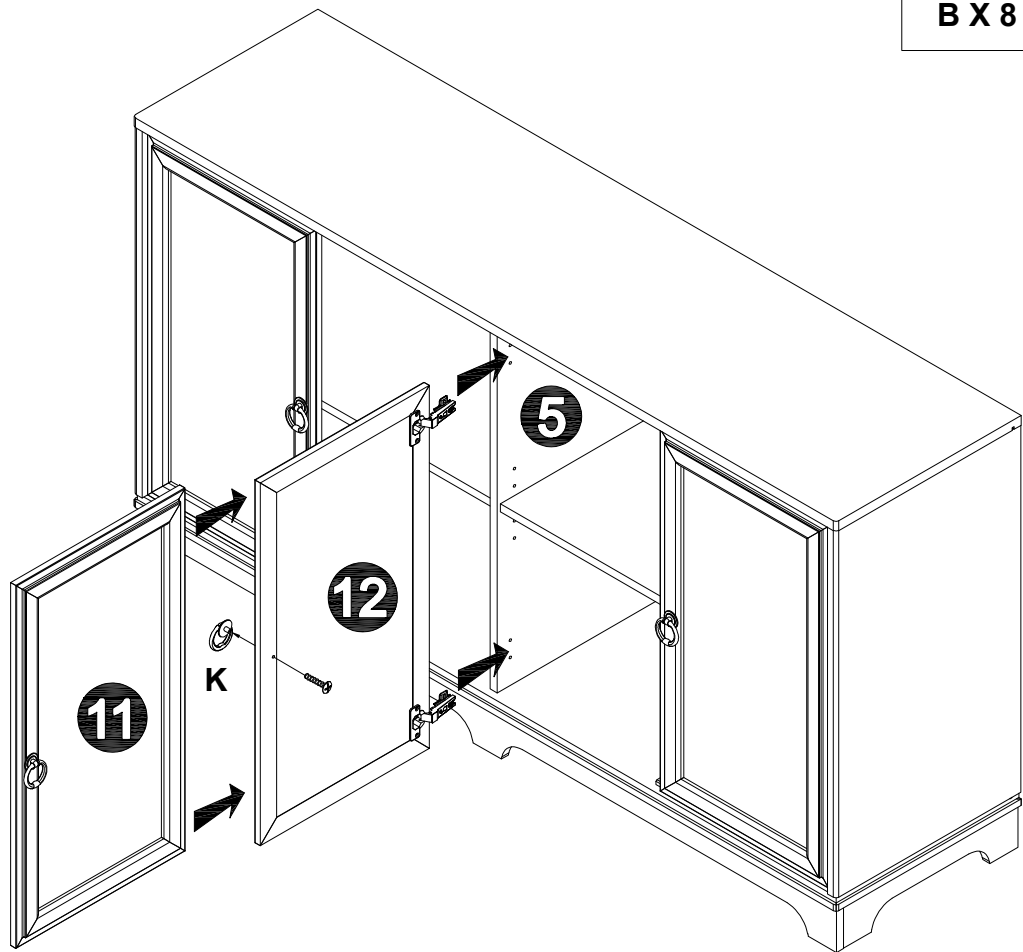


Step 14

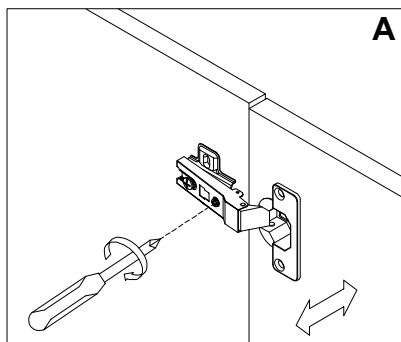


B X 8

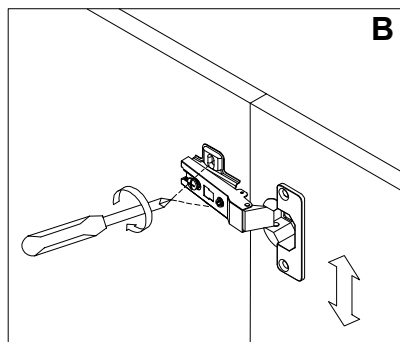
K X 2



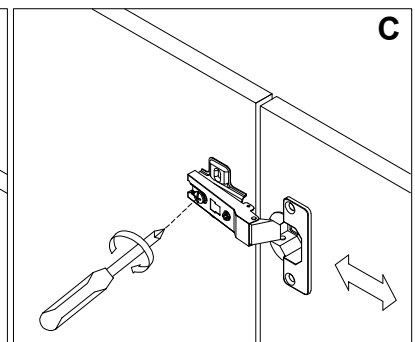
HINGE ADJUSTMENT GUIDE



A. Lateral adjustment by screw adjusting

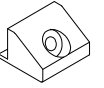


B. Vertical adjustment via slot in the mounting plate



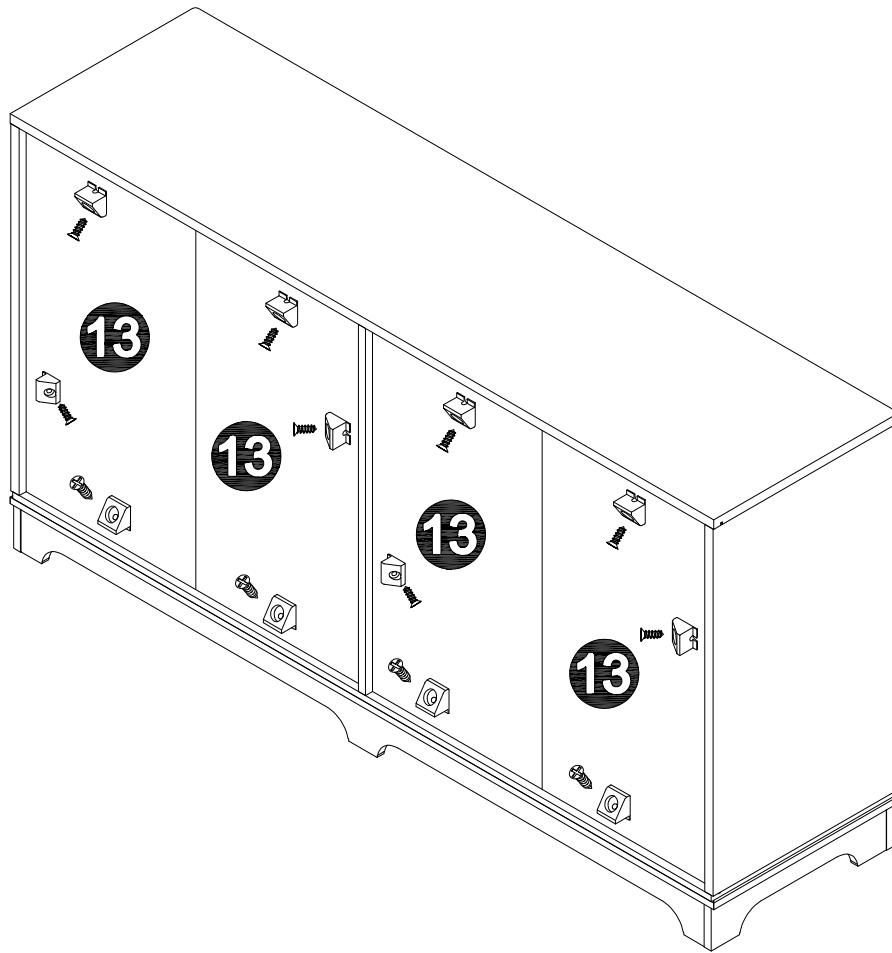
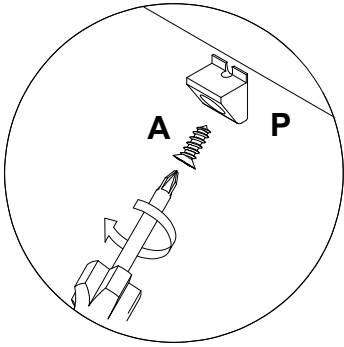
C. Front-to-Back by the slacking the hinge arm mounting screw

Step 15

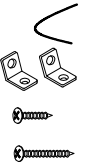


A X 12

P X 12



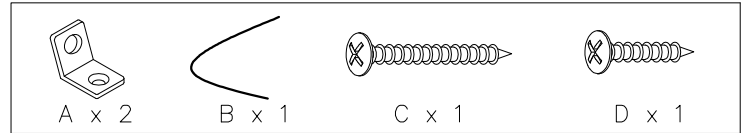
Step 16



QX2

TIPPING RESTRAINTS KIT INSTALLATION GUIDANCE

This tipping restraint is not an earthquake restraint. If you wish to add the extra security of earthquake restraints, they must be purchased and installed separately.



WALL

