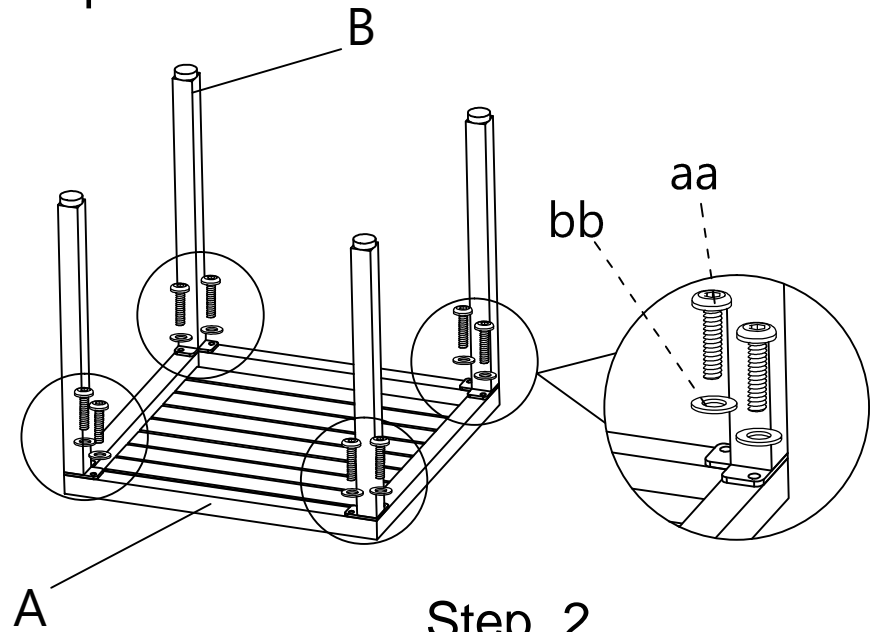
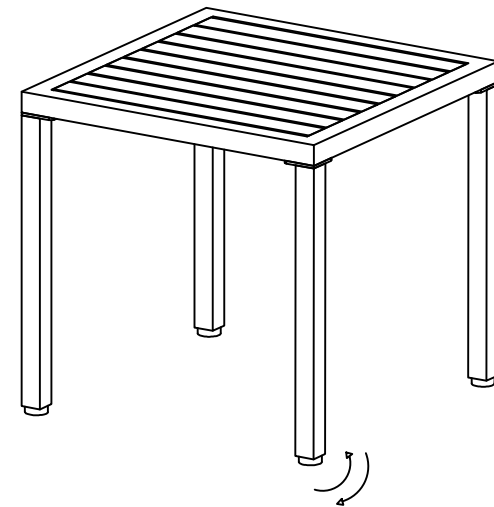



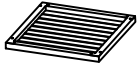



Step 1



Step 2



Part	Description	Qty	Part	Description	Qty
#1		1 pcs	aa	 M6*15	8 pcs
bb		8 pcs	A		4 pcs
B		4 pcs			