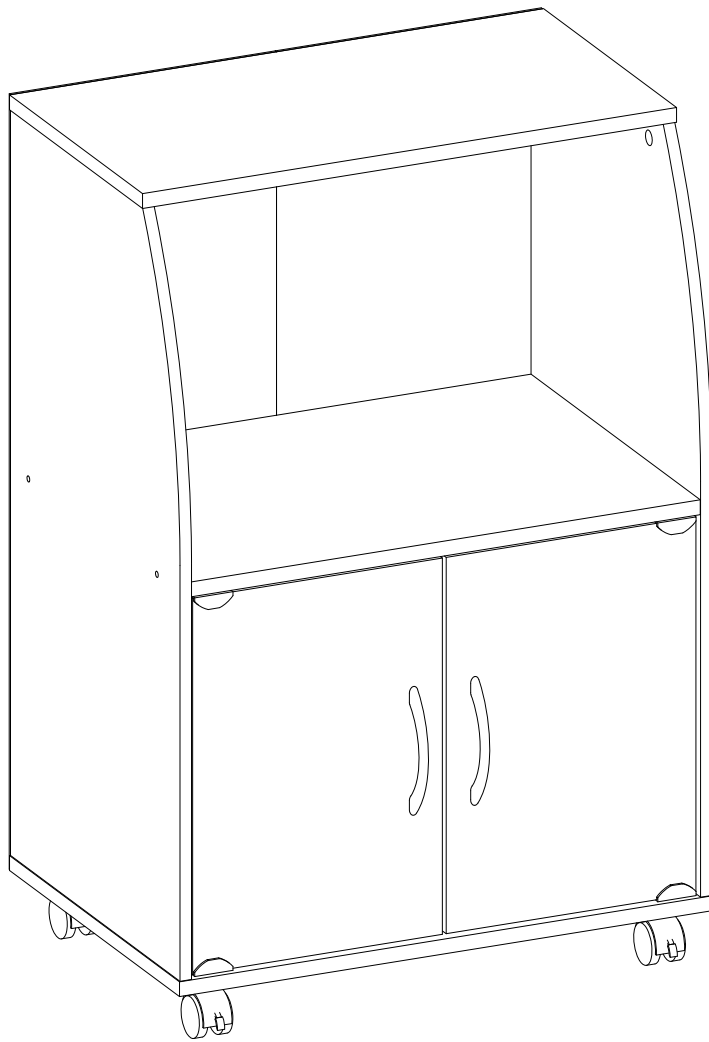
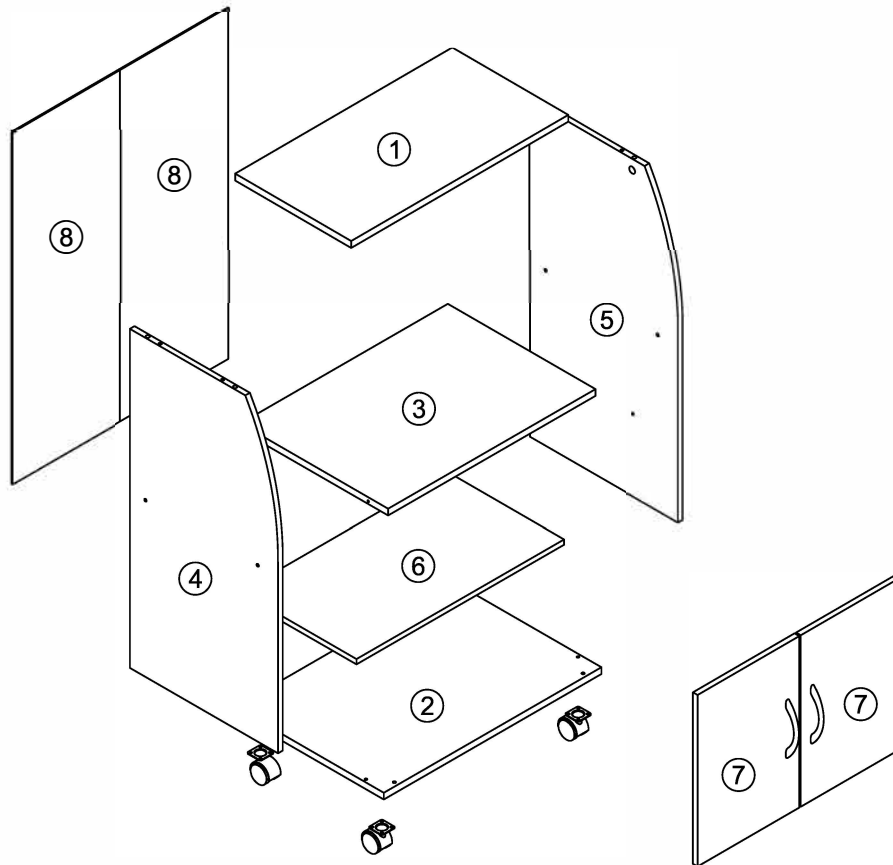










Assembly Instructions



W21.9" x D15" x H32.9"

Parts and Hardware List



A		CSK SCREW M3.5 x 12 mm	22
B		CSK SCREW M4 x 25 mm	4
C		CSK SCREW M4 x 38 mm	4
D		JCBCW SCREW M5 x 40 mm	4
E		WOOD DOWEL M6 x 25 mm	4
F		CAM BOLT	4
G		CAM NUT 12 mm	4
H		METAL SHELF SUPPORT	4

I		HANDLE 016 - 96 PVC	2
J		CASTER WITH STOPPER	2
K		CASTER W/O STOPPER	2
L		PLATE	2
M		DOOR HOLDER 12"	4
N		MAGNET	1
O		ALLEN KEY	1
P		NAIL	22

- This product contains small components, please ensure that they are kept away from small children.
- THIS INSTRUCTION BOOKLET CONTAINS **IMPORTANT** SAFETY INFORMATION. PLEASE READ AND KEEP FOR FUTURE REFERENCE.



DO NOT RETURN PRODUCT TO THE STORE.

Thank you for purchasing from Us

READ BEFORE BEGINNING ASSEMBLY

- Read each step carefully. It is very important that each step of instruction is performed in the correct order. If these steps are not followed in sequence, assembly difficulties will occur.
- Make sure all parts are included. Most parts are labeled or stamped on the raw edge.
- Work in spacious area, preferably on a carpet, near the place the unit will be used.
- Do not use power tools to assemble your furniture. Power tools may strip or damage the parts.

HELPFUL HINTS

- Call us if you need assistance.
- Move your new furniture carefully, with two people lift and carry the unit to it's new location.
- Never push, drag or pull your furniture (especially on carpet).




Warranty Information



We warranty this product to be free from defects in material and workmanship agrees to remedy any such defect. This warranty covers one year from the date of original purchase. This is solely limited to be repair or replacement of defective parts and no assembly labor is included.

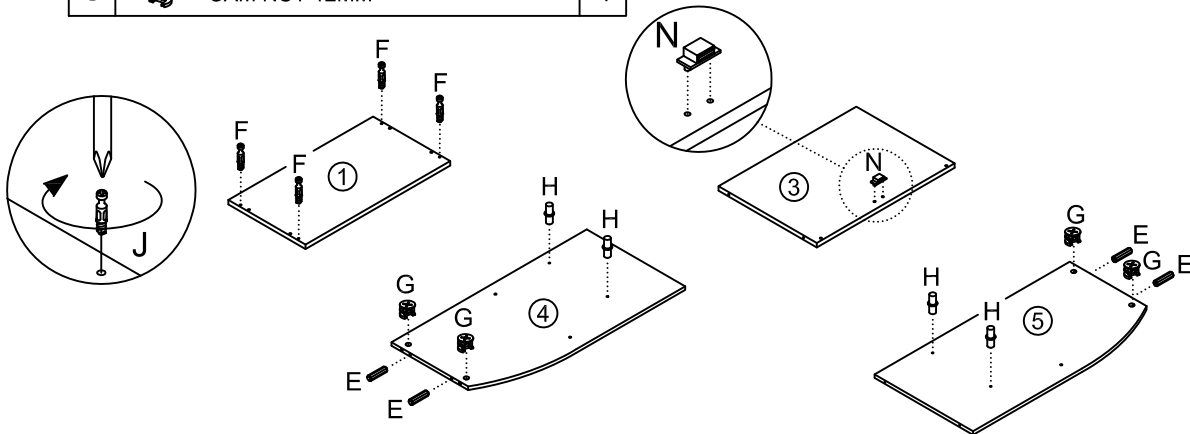
This warranty does not apply to any product which has been improperly assembled, subjected to misuse or abuse or which has been altered or repaired in any way.

To obtain warranty service, purchaser must present original bill of sale. Components repaired or replaced warranted through the remainder of the original warranty period only. The defective components will be repaired or replaced without charge, subject to the terms and conditions described above.

Step 1



E		WOOD DOWEL 6 x 25mm	4
F		CAM BOLT	4
G		CAM NUT 12MM	4

H		METAL SHELF SUPPORT	4
N		MAGNET	1

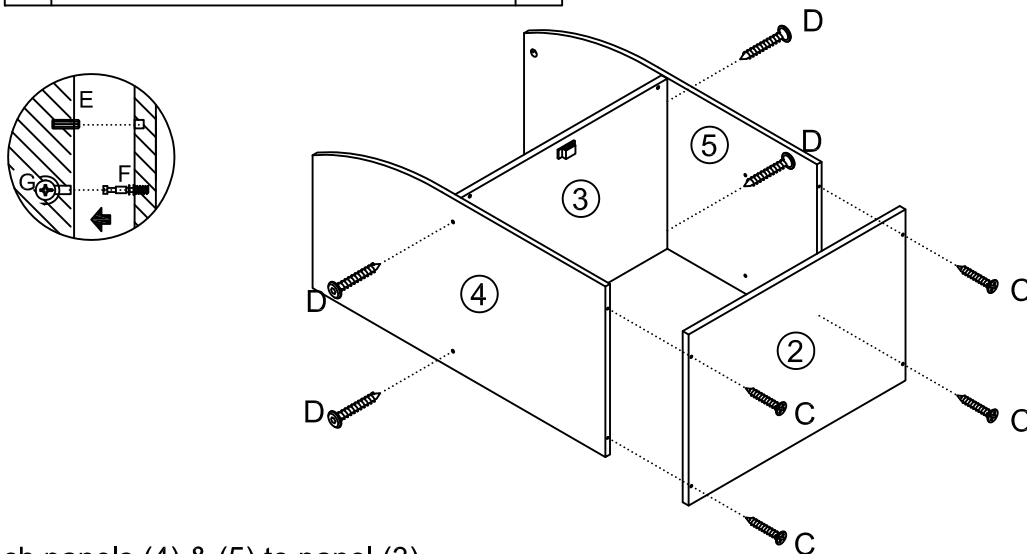


- Insert 4 x Dowels (E) into panels (4) & (5) using a Hammer.
- Insert 4 x Cam Nuts (G) into panels (4) & (5).
- Screw 4 x Cam Bolts (F) into panel (1) using a Phillips head screwdriver.
- Fix Magnet (N) to panels (3).
- Insert 4 x Metal Shelf Support (H) into panels (4) & (5) .

Step 2

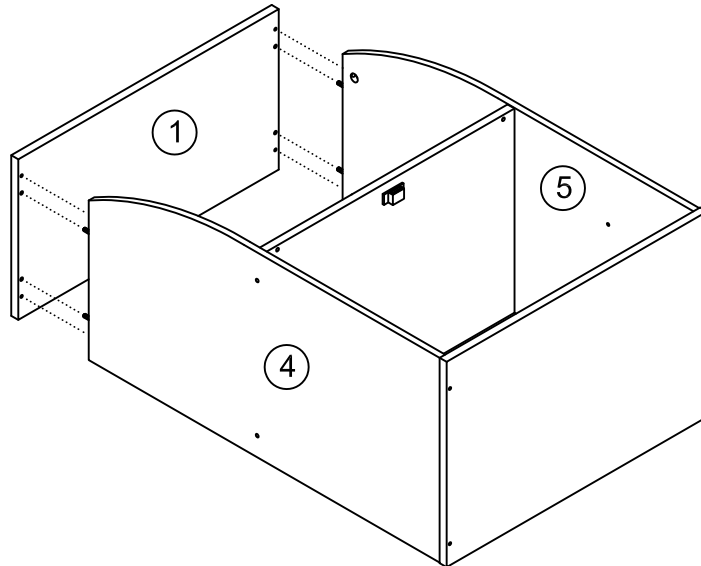
C		CSK SCREW M4 x 38 mm	4
D		JCBCW SCREW M5 x 40 mm	4

O		ALLEN KEY	1
---	-------------------------------------------------------------------------------------	-----------	---



- Attach panels (4) & (5) to panel (3).
- Insert 4 x JCBCW Screw (D) to panels (4) & (5) and tighten with a Allen Key (O).
- Attach panel (2) to panel (4) & (5).
- Insert 4 x CSK Screw (C) to panels (4) & (5) and tighten with a Phillips head screwdriver.



Step 3

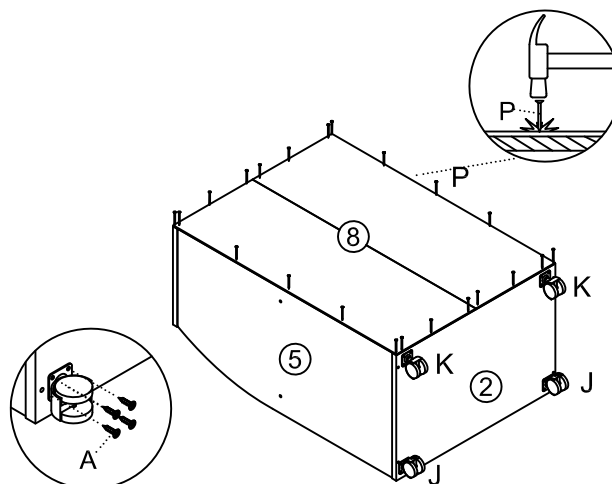


- Attach panel (1) to panels (4) & (5), Aligning dowels.
- Turn the Cam Nut on panels (4) & (5) clockwise with a Phillips head screwdriver to lock in position.

Step 4

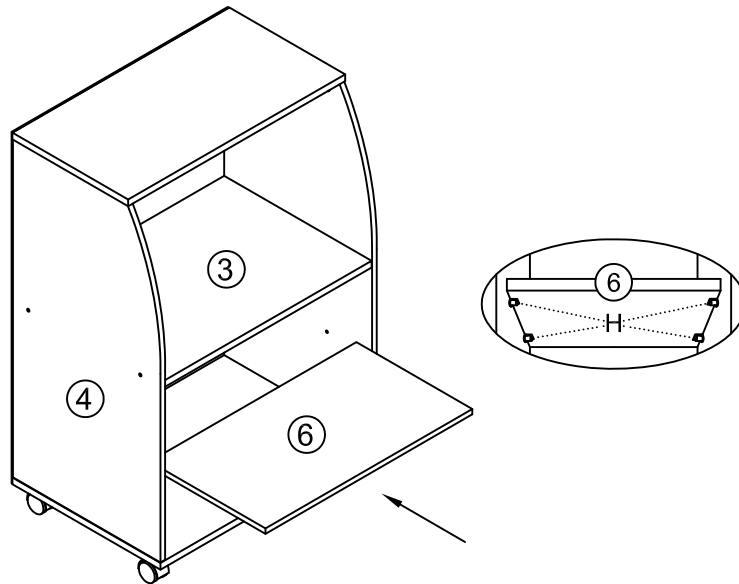
A		CSK SCREW M3.5 x 12 mm	16
J		CASTER WITH STOPPER	2

K		CASTER W/O STOPPER	2
P		Nail	22





- Fix 22 x Nails (P) into panel (8) using a Hammer.
- Attach Caster with stopper (J) & Caster W/O stopper (K) to panel (2) with 16 x CSK Screw (A) using a Phillips head screwdriver.

Step 5

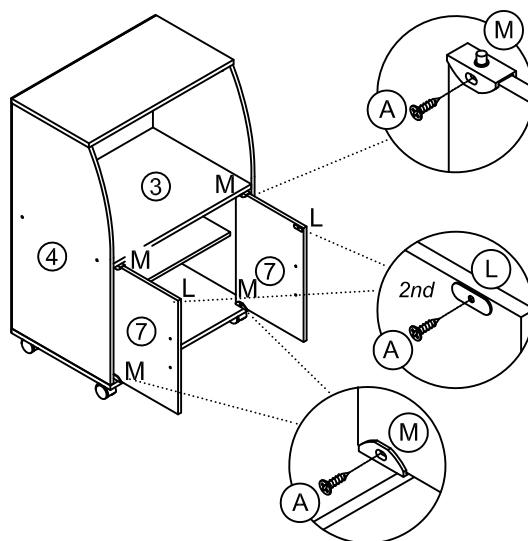


- Insert panel (6) into wardrobe .

Step 6

A		CSK SCREW M3.5 x 12 mm	6
L		PLATE	2


M		DOOR HOLDER (12mm)	4
---	-------------------------------------------------------------------------------------	--------------------	---

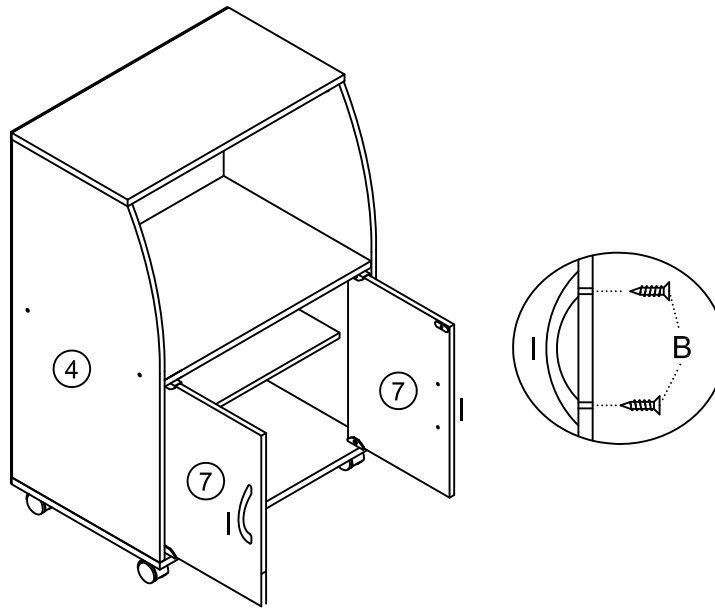


- Insert 4 x Door Holder (M) to panels (4) , (5).
- Fix panels (7) to Door Holder (M) with 4 x CSK Screw (A) using a Phillips head screwdriver.
- Fix Plate (L) to panels (7) with 2 x CSK Screw (A) using a Phillips head screwdriver.

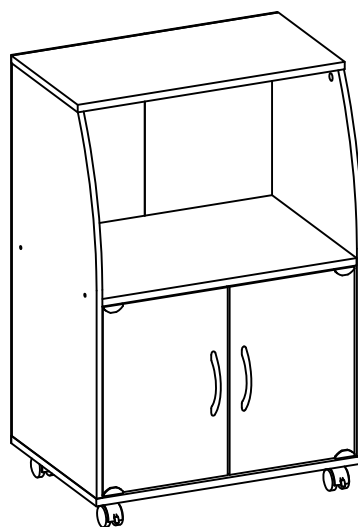
Step 7

B		CSK SCREW M4 x 25 mm	4
---	-----------------------------------------------------------------------------------	----------------------	---

I		HANDLE 016 - 96 PVC	2
---	-----------------------------------------------------------------------------------	---------------------	---



- Attach Handle (i) to panels (7) with 4 x CSK Screw (B) using a Phillips head screwdriver.



Job Complete!

In the interest of our environment please dispose of all packaging thoughtfully.