

ASSEMBLY INSTRUCTIONS



Fine Furniture for every stage of life

LAF CHAISE

REVISION 0 : 3/24/2025
REVISION 1 : 6/12/2025

PAGE 1 OF 5

ASSEMBLY INSTRUCTIONS

ASSEMBLY TIPS:

1. Remove hardware from box and sort by size.
2. Please check to see that all hardware and parts are present prior to start of assembly.
3. Please follow attached instructions in the same sequence as numbered to assure fast & easy assembly.



WARNING!


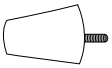

1. Don't attempt to repair or modify parts that are broken or defective. Please contact the store immediately.
2. This product is for home use only and not intended for commercial establishments.






ASSEMBLY TIME

10 MINUTES

PARTS IDENTIFICATION

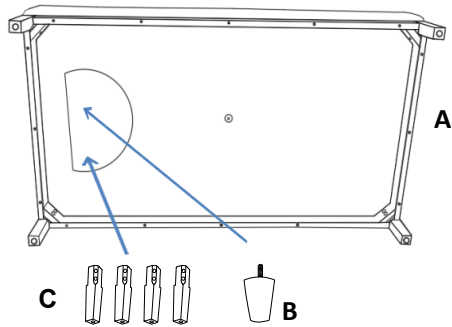
A		BASE	1PC
B		MIDDLE LEG	1PC
C		LEG	4PCS

HARDWARE IDENTIFICATION

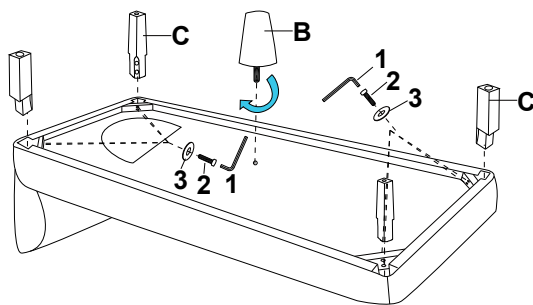
1		ALLEN WRENCH	1PC
2		BOLT	8PCS
3		FLAT WASHER	8PCS

ASSEMBLY INSTRUCTIONS

STEP 1

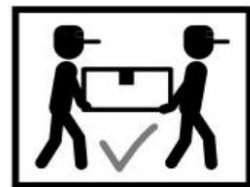
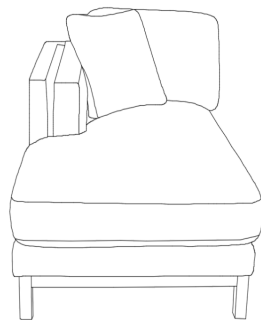


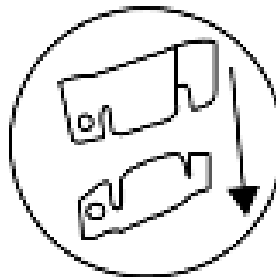
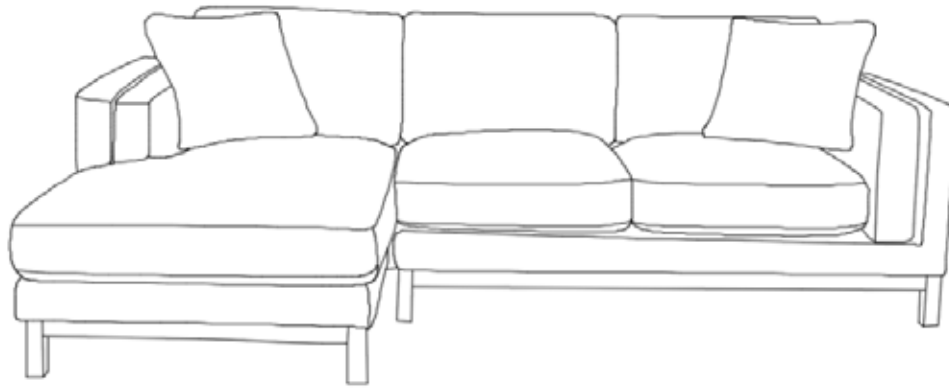
STEP 2

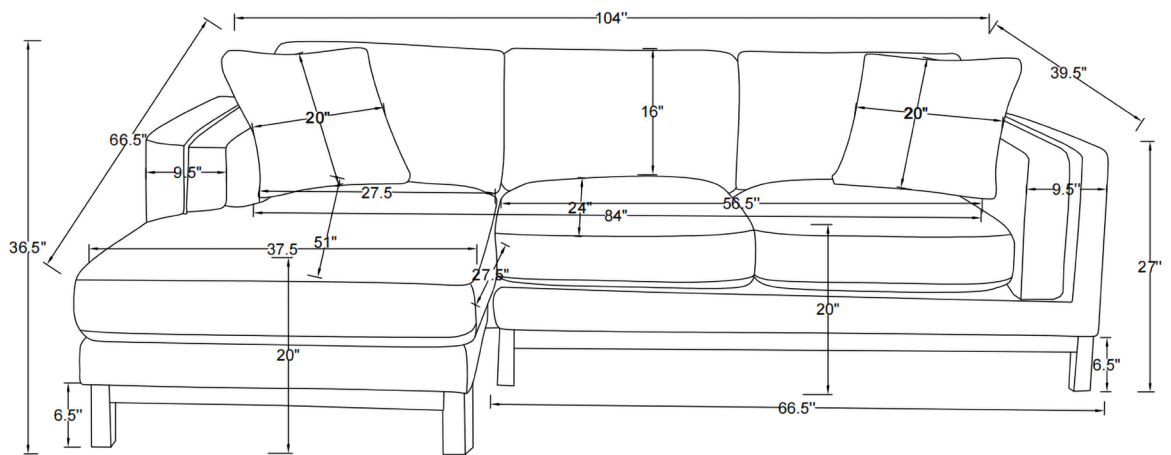
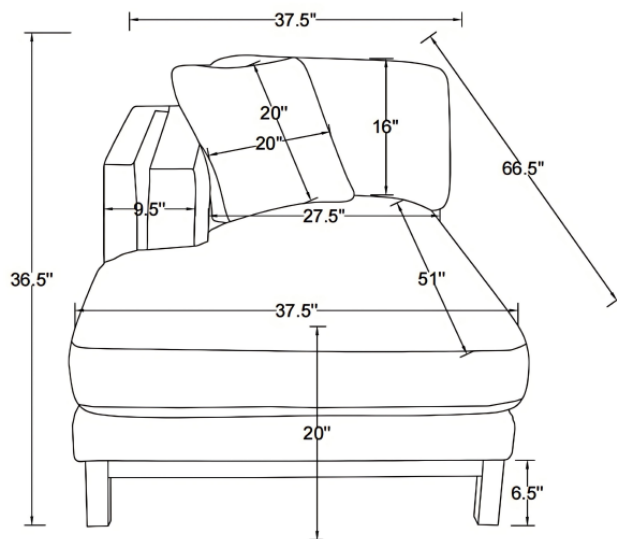


STEP 3

COMPLETE







Note: Dimension tolerance $\pm 5\%$

ASSEMBLY INSTRUCTIONS



Fine Furniture for every stage of life

RAF LOVESEAT

REVISION 0 : 3/24/2025
REVISION 1 : 6/12/2025

PAGE 1 OF 5

F

ASSEMBLY INSTRUCTIONS

ASSEMBLY TIPS:

1. Remove hardware from box and sort by size.
2. Please check to see that all hardware and parts are present prior to start of assembly.
3. Please follow attached instructions in the same sequence as numbered to assure fast & easy assembly.



WARNING!

1. Don't attempt to repair or modify parts that are broken or defective. Please contact the store immediately.
2. This product is for home use only and not intended for commercial establishments.



ASSEMBLY TIME

10 MINUTES

PARTS IDENTIFICATION

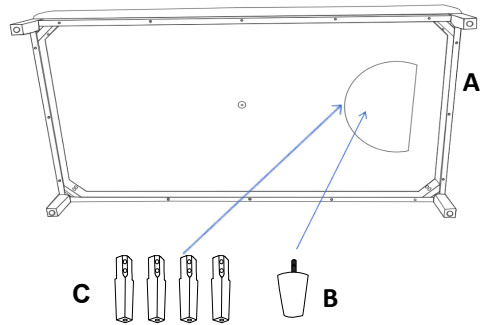
A		BASE	1PC
B		MIDDLE LEG	1PC
C		LEG	4PCS

HARDWARE IDENTIFICATION

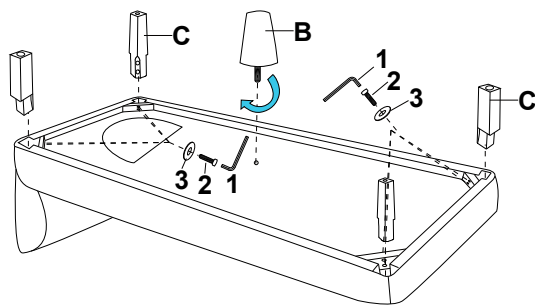
1		ALLEN WRENCH	1PC
2		BOLT	8PCS
3		FLAT WASHER	8PCS

ASSEMBLY INSTRUCTIONS

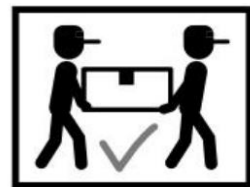
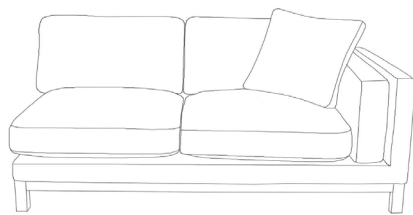
STEP 1

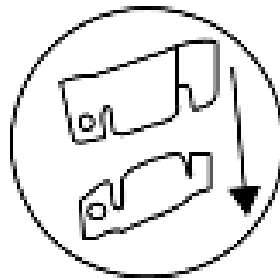
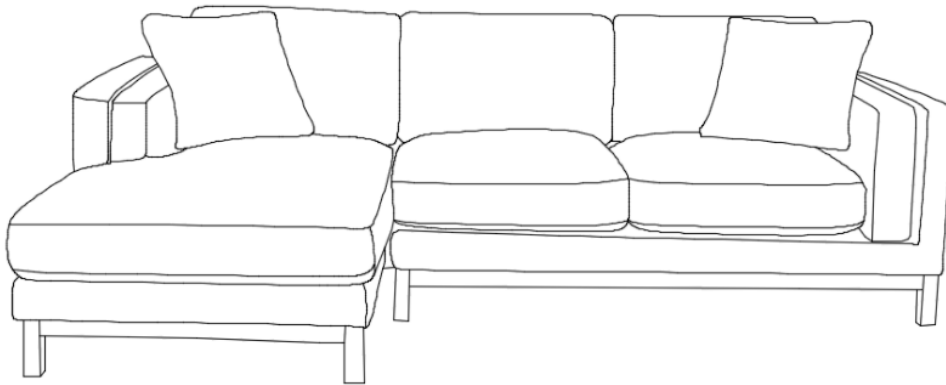


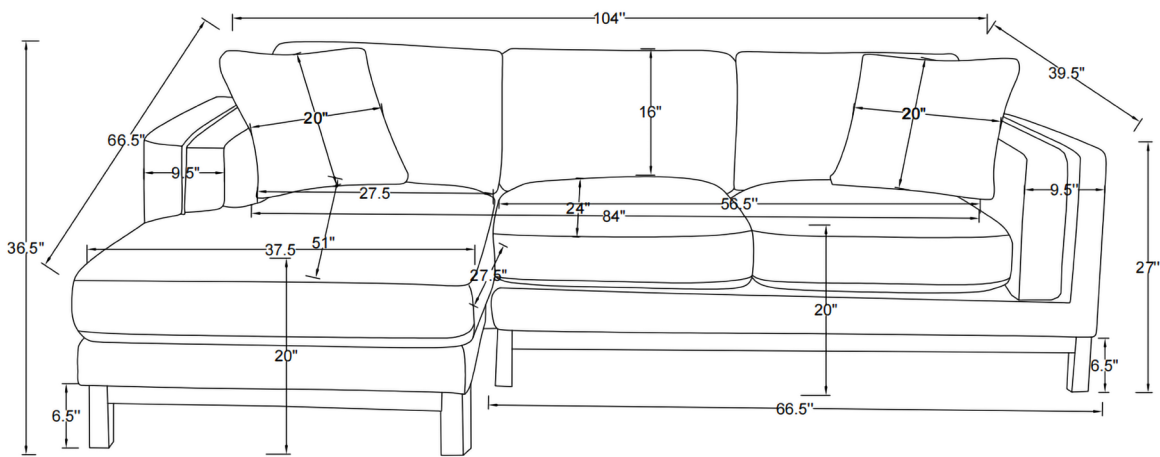
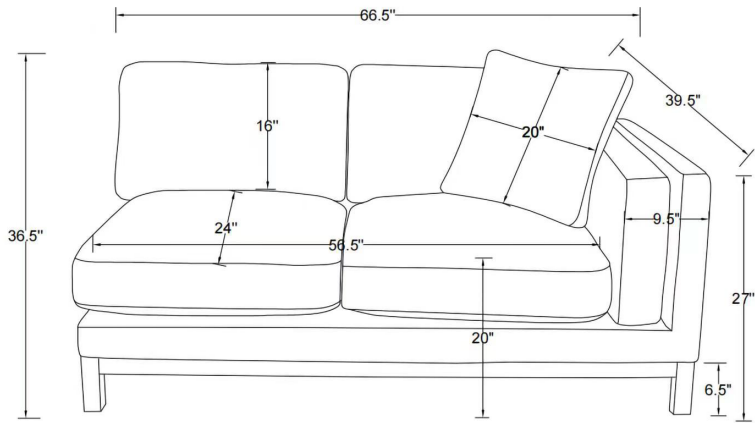
STEP 2



STEP 3 **COMPLETE**







Note: Dimension tolerance $\pm 5\%$