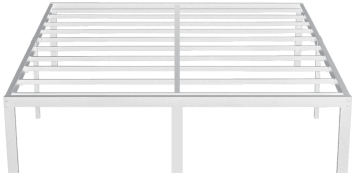




Precautions






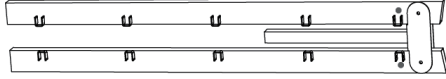




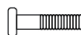





1. Please read the product manual carefully before installation,
2. Place the carton flat on the open ground, open the package, take out the product parts and arrange them according to the numbering sequence
3. The screw hardware accessory bag shall be carefully torn to prevent splashing

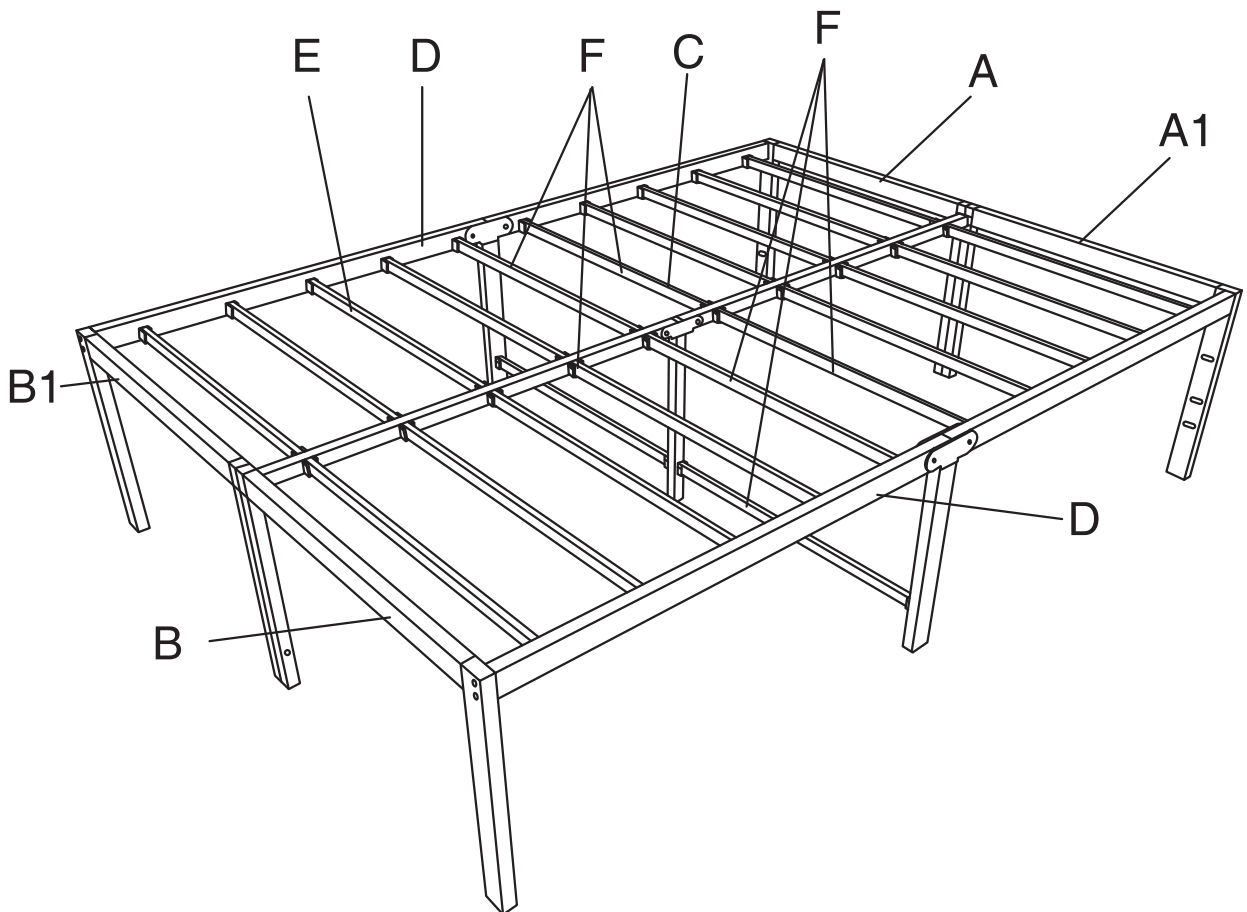
Product specifications

<p>Full</p> 	<p>Size: Full Color: White Assembly Required: Yes Box Spring Required: No Overall Product Weight: 40 lbs Weight Capacity: 1500 lbs Developed size: 76.4*55.5*14 inch</p>
<p>Queen</p> 	<p>Size: Queen Color: White Assembly Required: Yes Box Spring Required: No Overall Product Weight: 44 lbs Weight Capacity: 1500 lbs Developed size: 81.5*61.4*14 inch</p>
<p>King</p> 	<p>Size: King Color: White Assembly Required: Yes Box Spring Required: No Overall Product Weight: 46 lbs Weight Capacity: 1500 lbs Developed size: 81.5*78*14 inch</p>

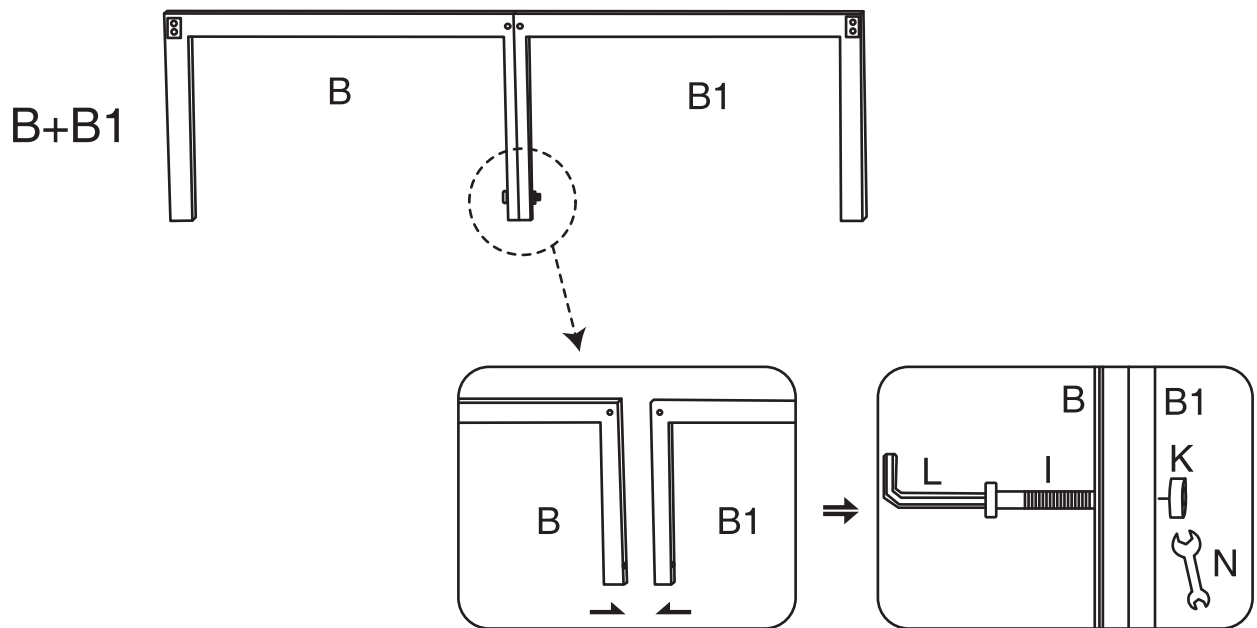
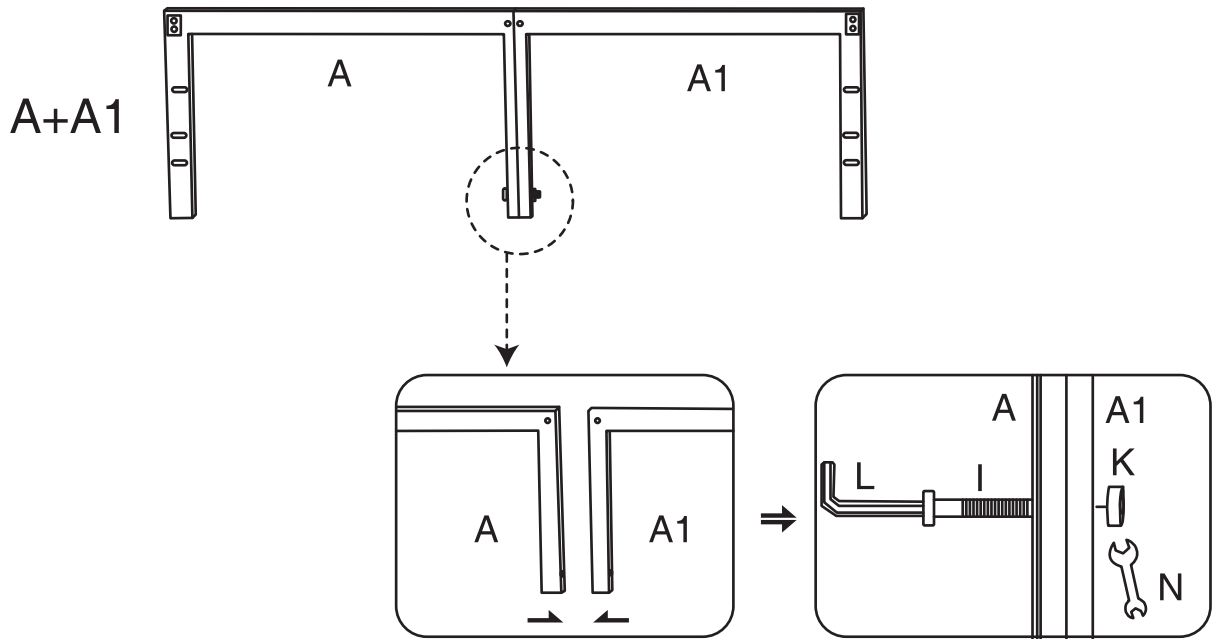
1

Product Part Number

 A*1pc	 A1*1pc	 B*1pc	 B1*1pc				
 C*1pc		 D*2 pcs					
 E*16 pcs		 F*6 pcs					
 G*12pcs	 H*12pcs	 I*2pcs	 J*12pcs	 K*2pcs	 L*1pc	 M*1pc	 N*1pc



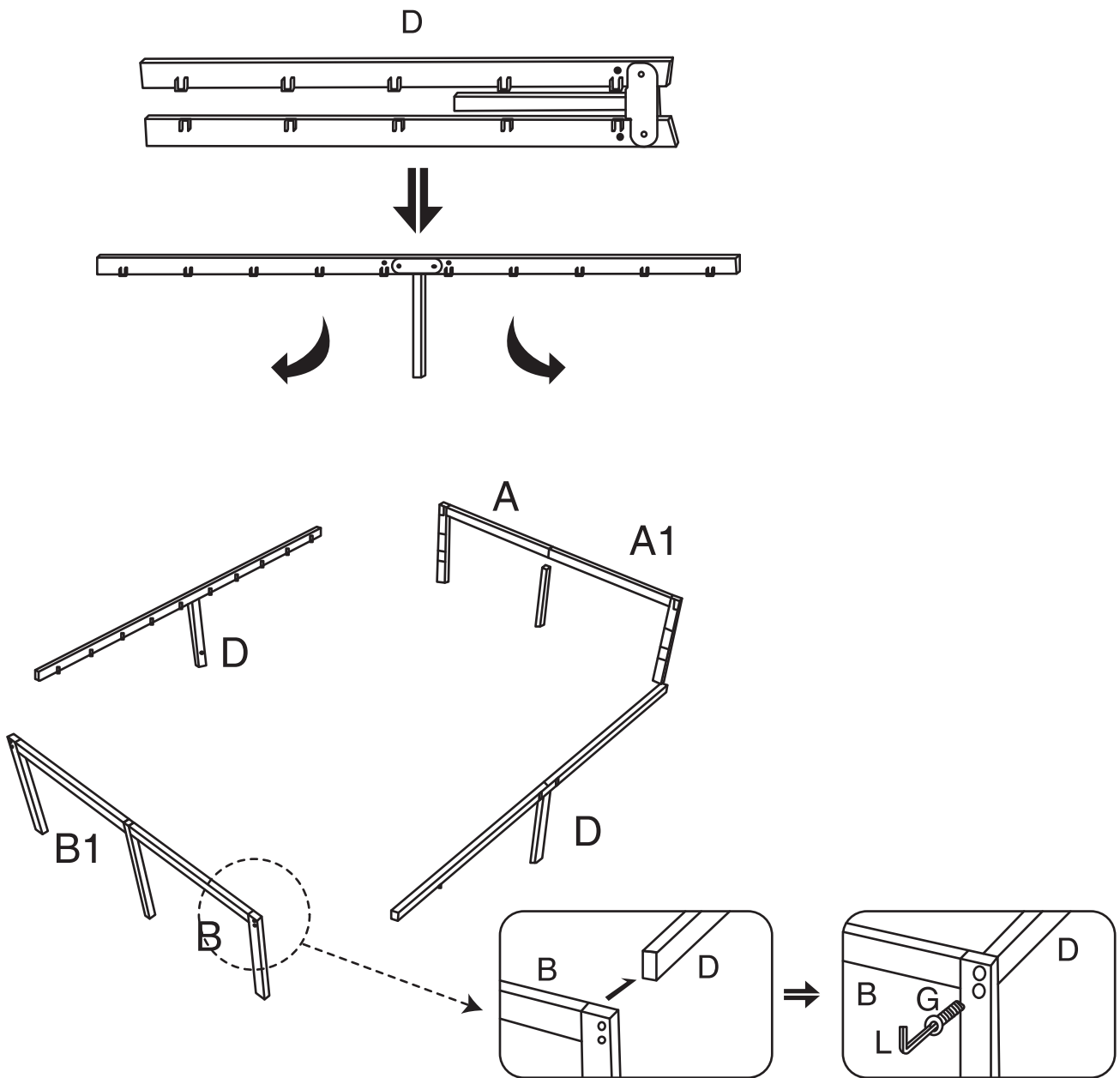
2



Step 1: Mount A with A1, B with B1

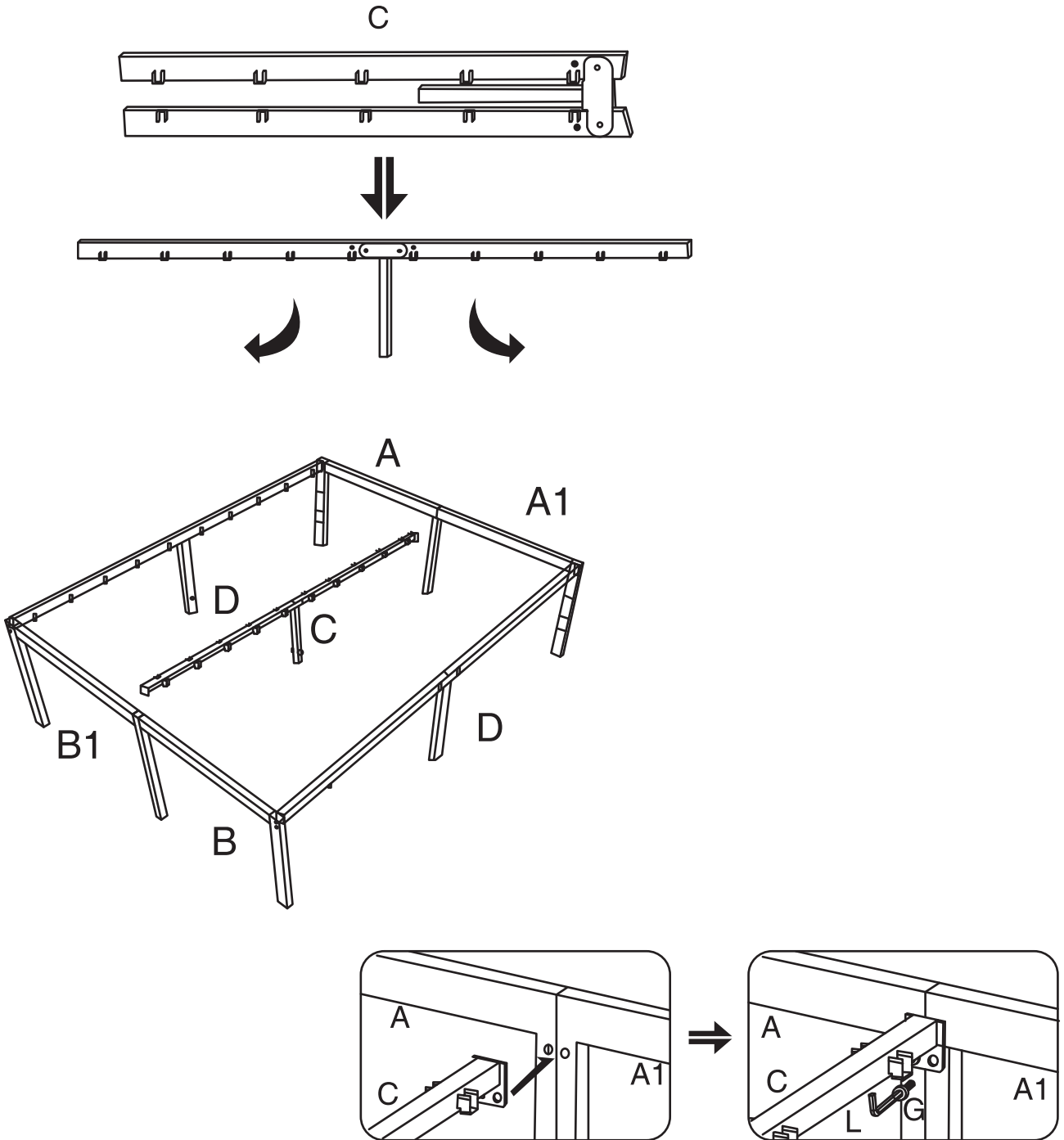
Connection tool number: L , I (2PCS), K(2PCS),N

3

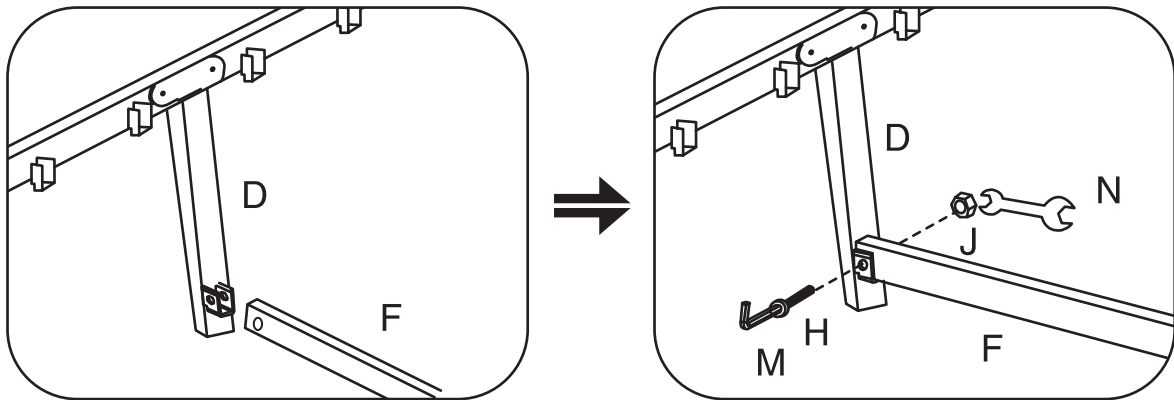
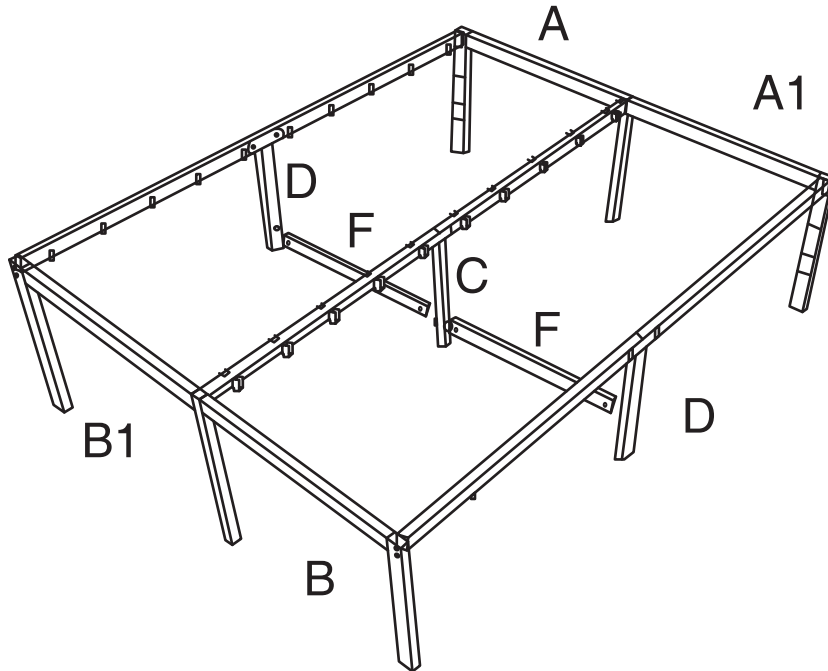


Step 2: Expand D ,connect D into the (A+A1) and (B+B1) combination Connection tool number: L , G (8PCS)

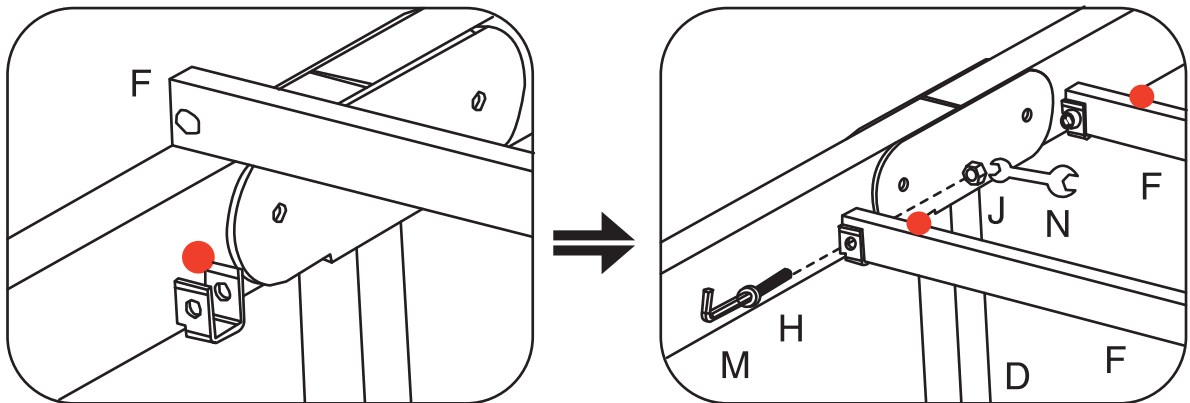
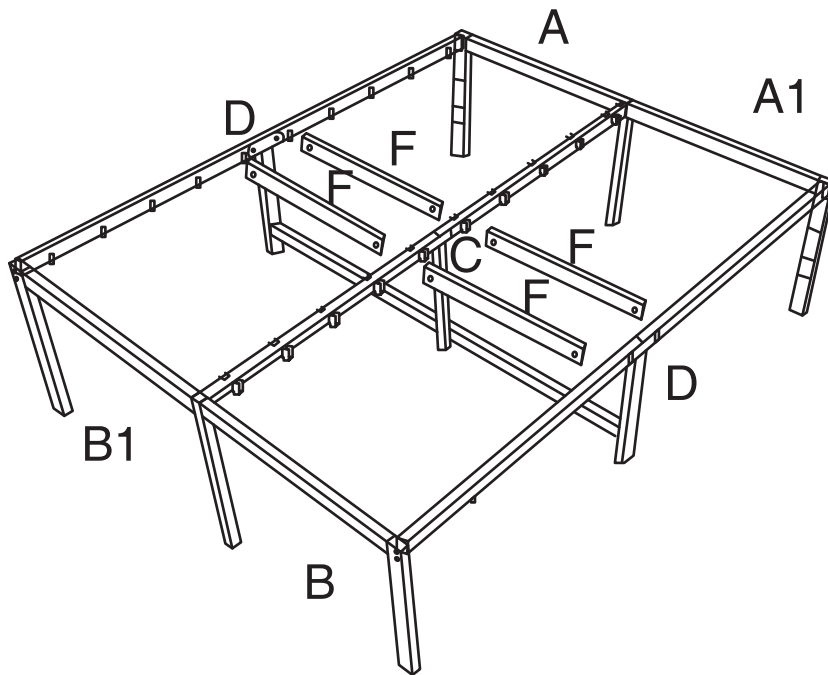
4



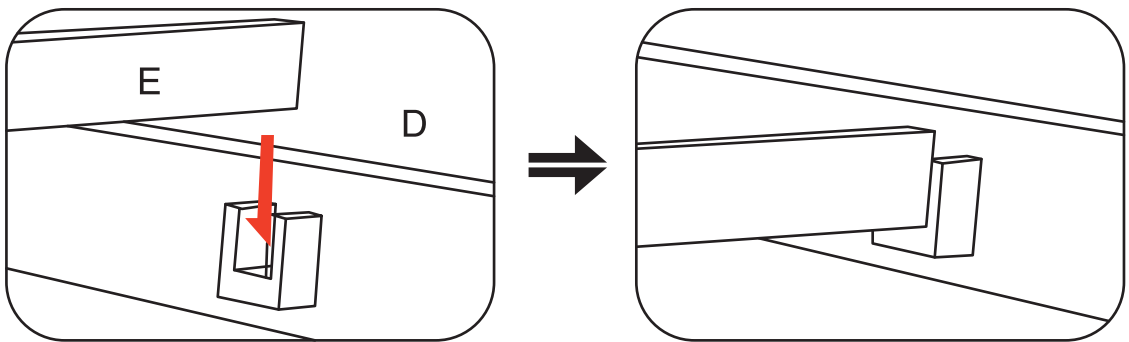
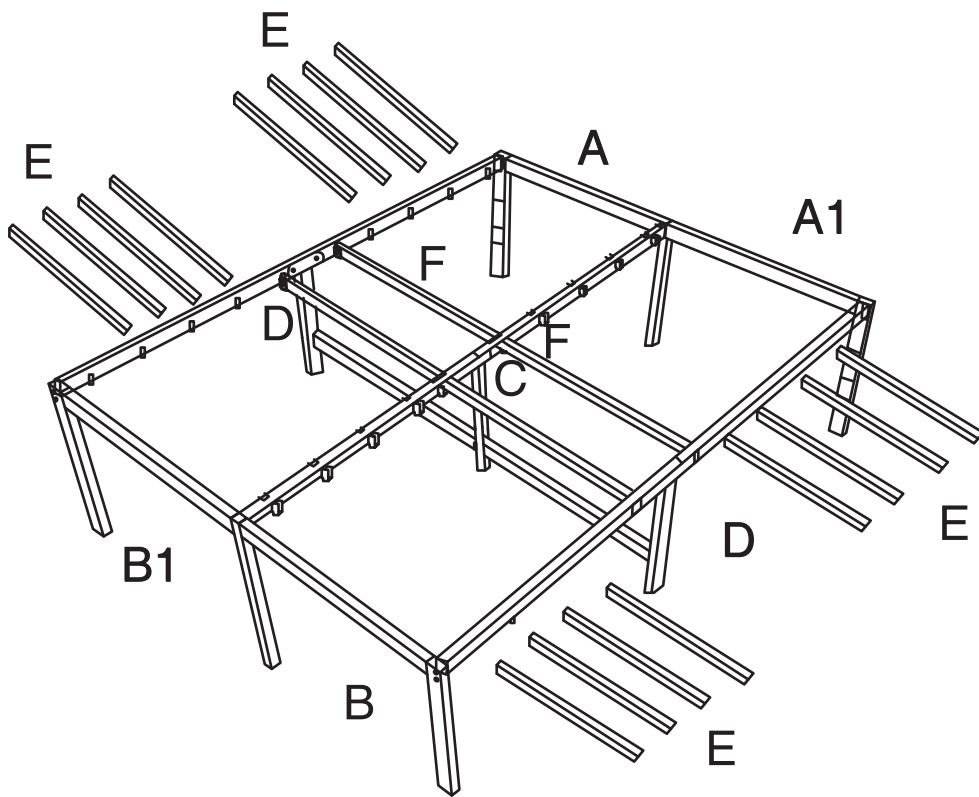
Step 3: Expand C ,connect C into the (A+A1) and (B+B1) combination Connection tool number: L , G (4PCS)



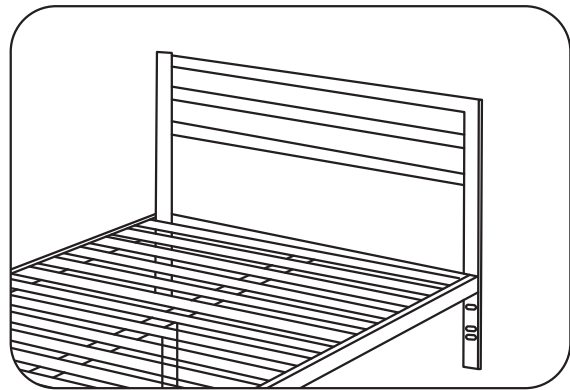
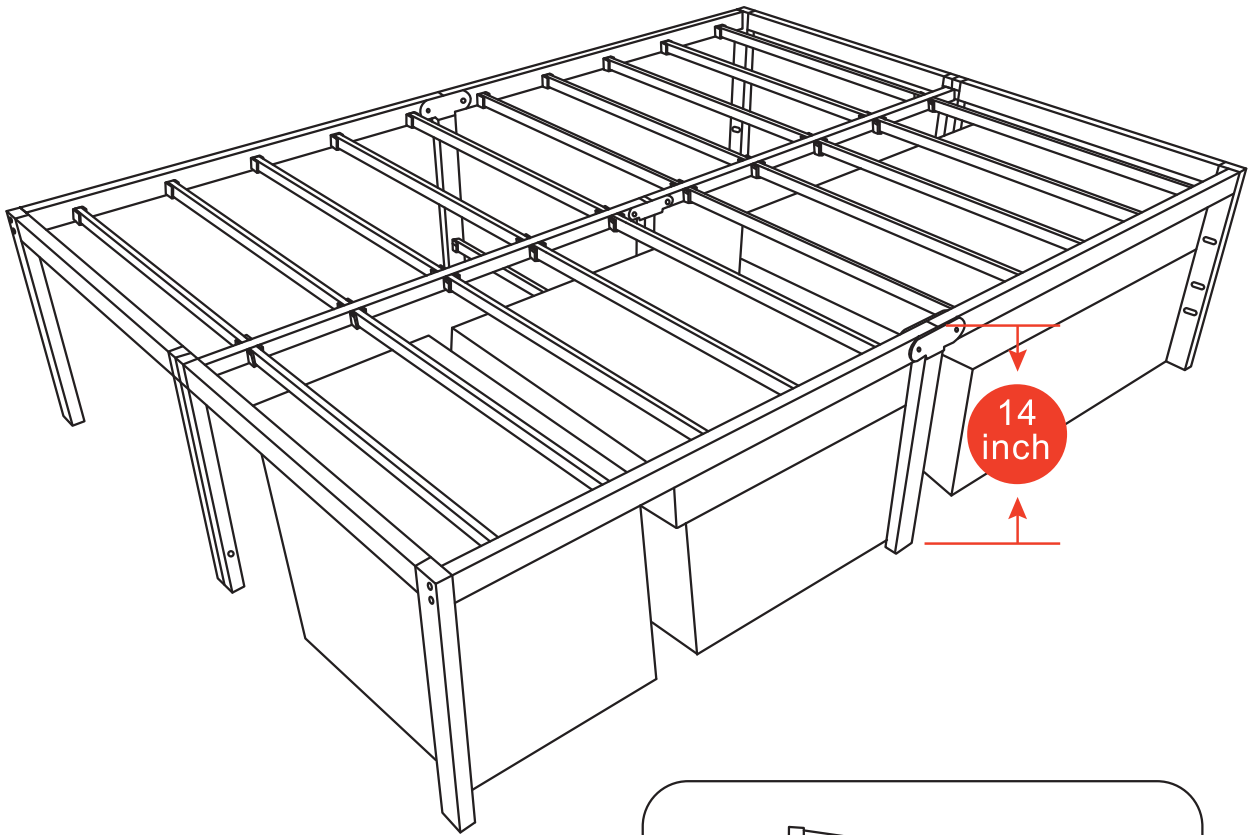
Step 4: Number F(2PCS) Mounts Below D-C-D Middle Legs
 Connection tool number: M ,N, H (4PCS), J (4PCS)



Step 5: Number F (4PCS) Mounts on D-C-D Beam Sides
 Connection tool number: M , N, H (8PCS), J (8PCS)



Step 6: Number E (16PCS) Mounts on D-C-D Beam Sides



Function introduction

1. The bed frame is 18inch high, and the large storage space at the bottom can store items
2. Reserved Holes for DIY Headboard: You can DIY your own standard-sized headboard for this metal platform bed frame by using the reserved holes.

Troubleshooting

Serial No	Fault problems	Solution
1	Bed frame shaking	Retighten all screws and nuts once
2	The bedstead makes a noise	Retighten all screws and nuts once
3	The bed frame is not horizontal	First loosen the screws at the four corners and middle part of the bedstead, then press the uneven place with both hands to make it horizontal, and finally tighten the screws
4	Screws do not tighten	Tighten the screws with tool No. L/M/N
5	Damaged screws	One or two more screws can be used as spare screws in the package