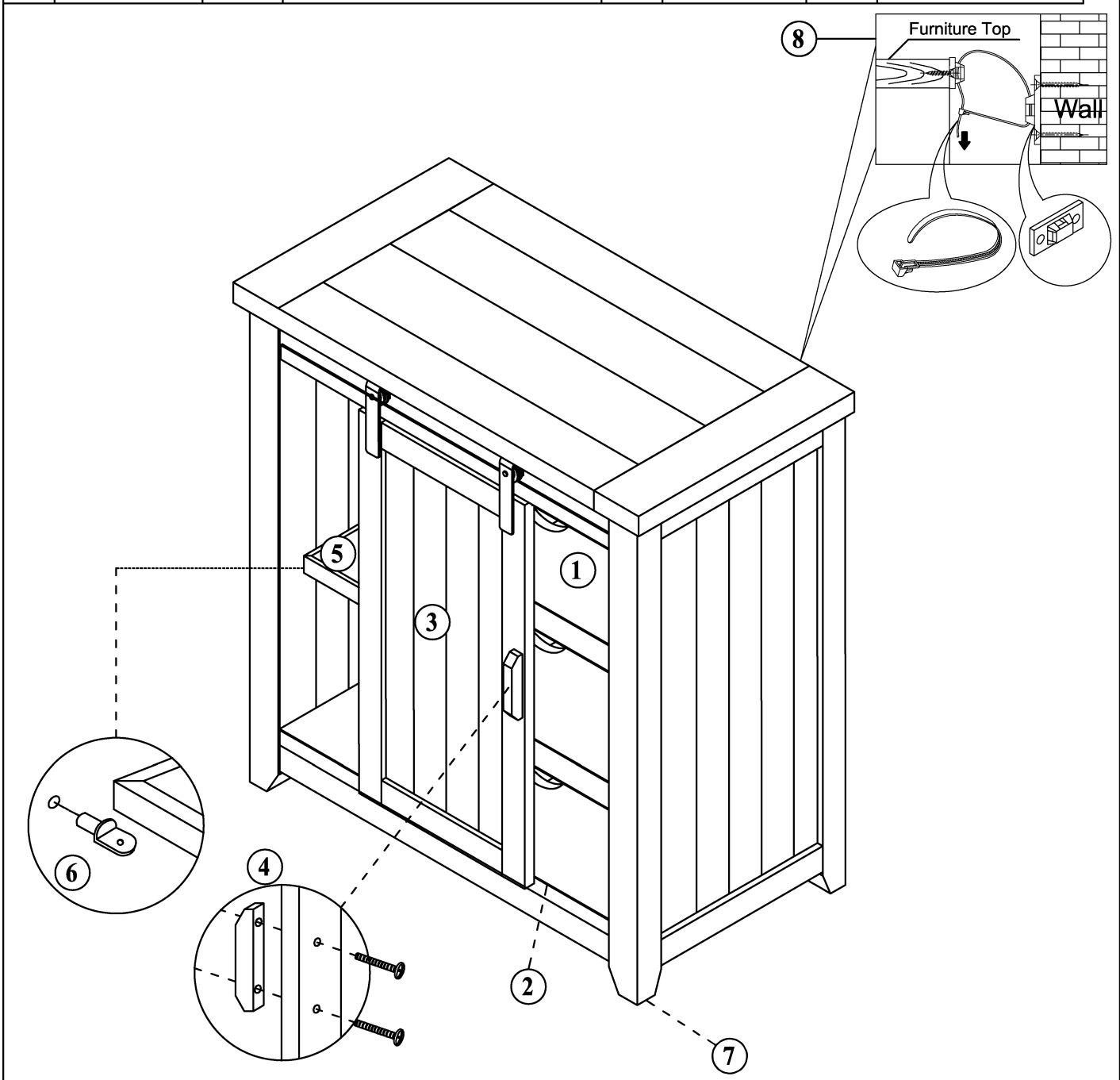


# ASSEMBLY INSTRUCTIONS & PARTS IDENTIFICATION DRAWER ACCENT CHEST

**Thank you for purchasing this quality product. Be sure to check all packing material carefully for small parts that may have come loose inside the carton during shipment.**

### Parts key

No	Code	Qty	Description	No	Code	Qty	Description
1	A	3 Pcs.	Drawer Complete	6	F	4 Pcs.	Shelf Pin
2	B	3 Sets.	Drawer Glide	7	G	4 Pcs.	Floor Glide
3	C	1 Pc.	Door	8	H	1 Set.	Anti- Tip Kit
4	D	1 Pc.	Wood Handle W/Screws				
5	E	1 Pc.	Shelf				



**PLEASE NOTE :**  
To avoid the possibility of the furniture tipping and injury. The anti tip hardware must be installed