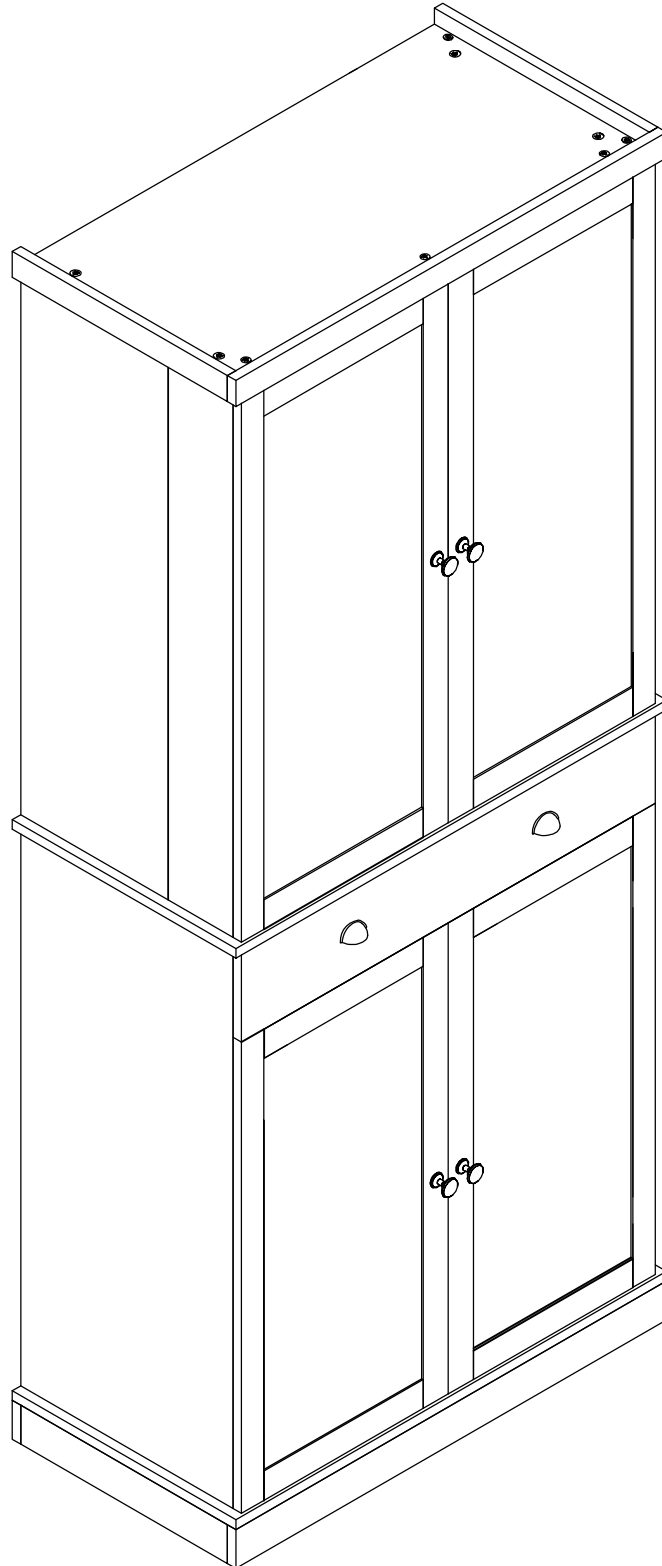




Installation Instruction

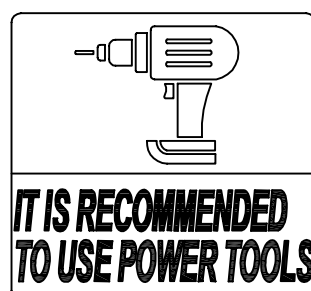
Please don't tighten the screws completely and go back later for a final tightening of all the screws after pieces are aligned with each other.



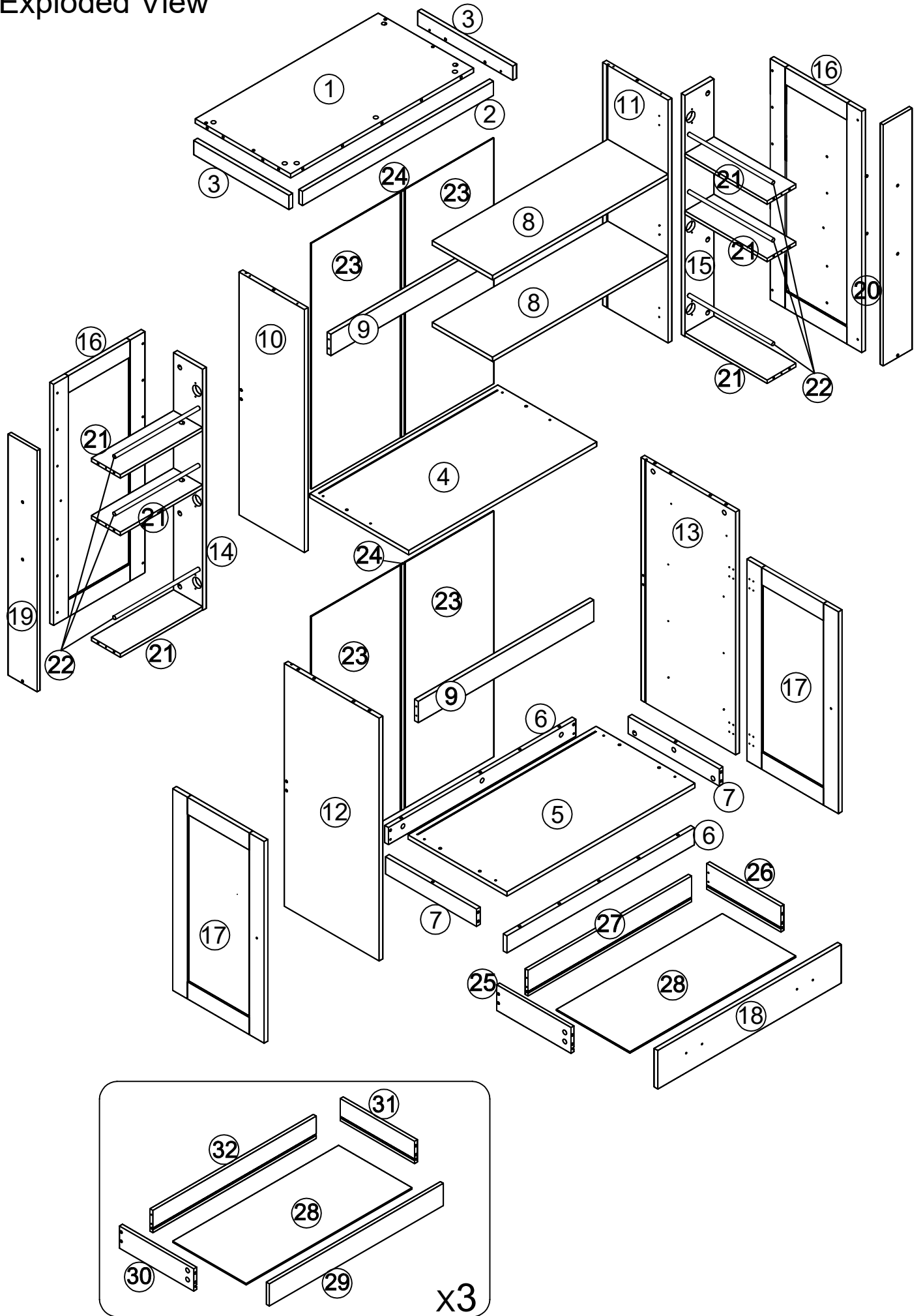
Please carefully review the following precautions before proceeding with the installation:

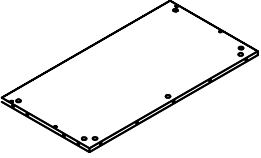
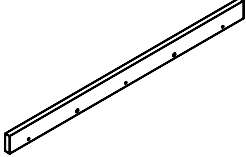
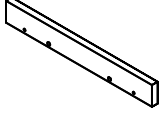
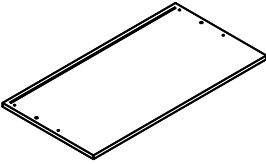
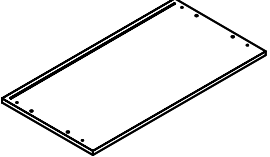
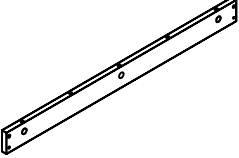
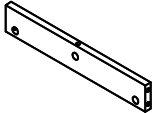
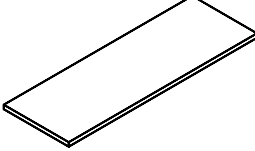
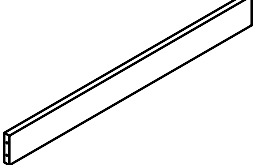
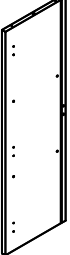
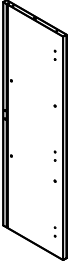
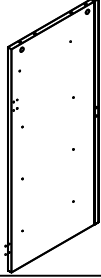
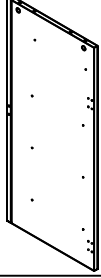


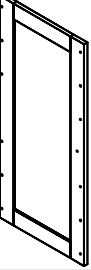
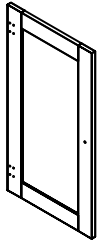
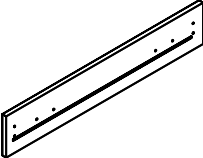


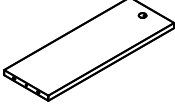

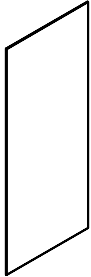

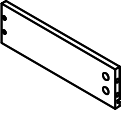

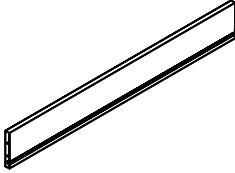
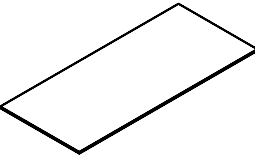
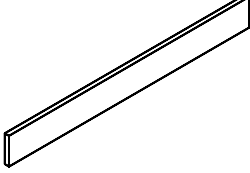
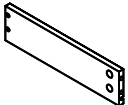
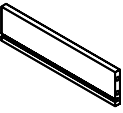
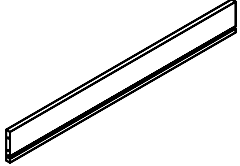
1. The installation process for this product is complex, and it is highly recommended to have at least two individuals working together during the installation.
2. Prior to each step, please refer to the screw hole positions to ensure that the board is aligned correctly according to the images provided in the instruction manual. This will help prevent any errors.
3. In case power tools are used for installation, it is important to tighten the screws intermittently rather than applying excessive force continuously. This precaution will help avoid potential cracks around the screw holes.
4. If you encounter any difficulties or issues during the assembly process, please don't hesitate to reach out to us via email or Amazon message. We assure you that we will address your concerns and provide a solution within 24 hours.

Thank you for your attention to these important instructions.

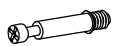











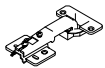


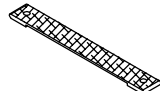




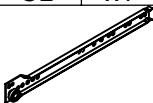
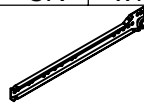
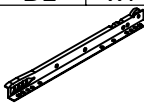



Exploded View

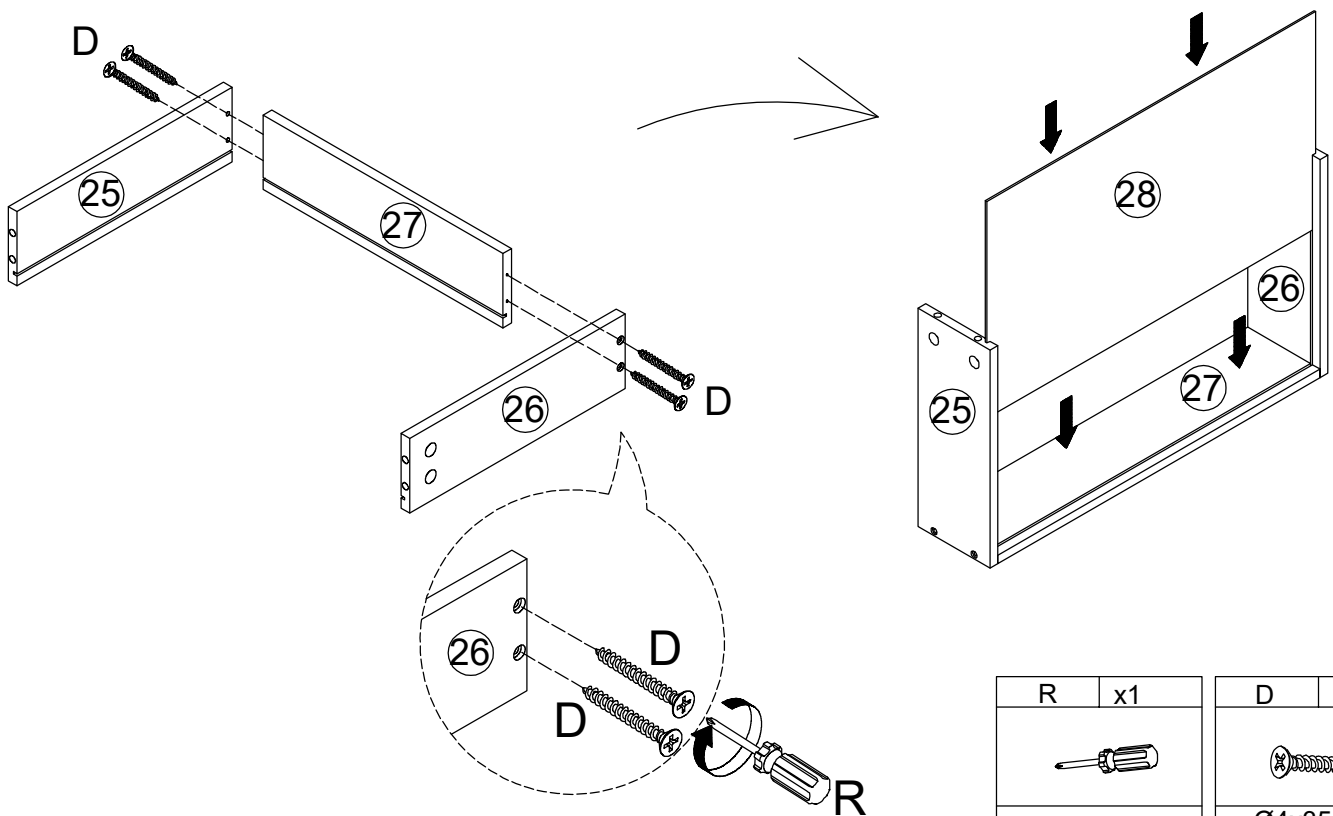




① x1 	② x1 	③ x2 	④ x1 	⑤ x1 
⑥ x2 	⑦ x2 	⑧ x2 	⑨ x2 	⑩ x1 
⑪ x1 	⑫ x1 	⑬ x1 	⑭ x1 	⑮ x1 
⑯ x2 	⑰ x2 	⑱ x1 	⑲ x1 	⑳ x1 
㉑ x6 	㉒ x6 	㉓ x4 	㉔ x2 	㉕ x1 
㉖ x1 	㉗ x1 	㉘ x4 	㉙ x3 	㉚ x3 
㉛ x3 	㉜ x3 			

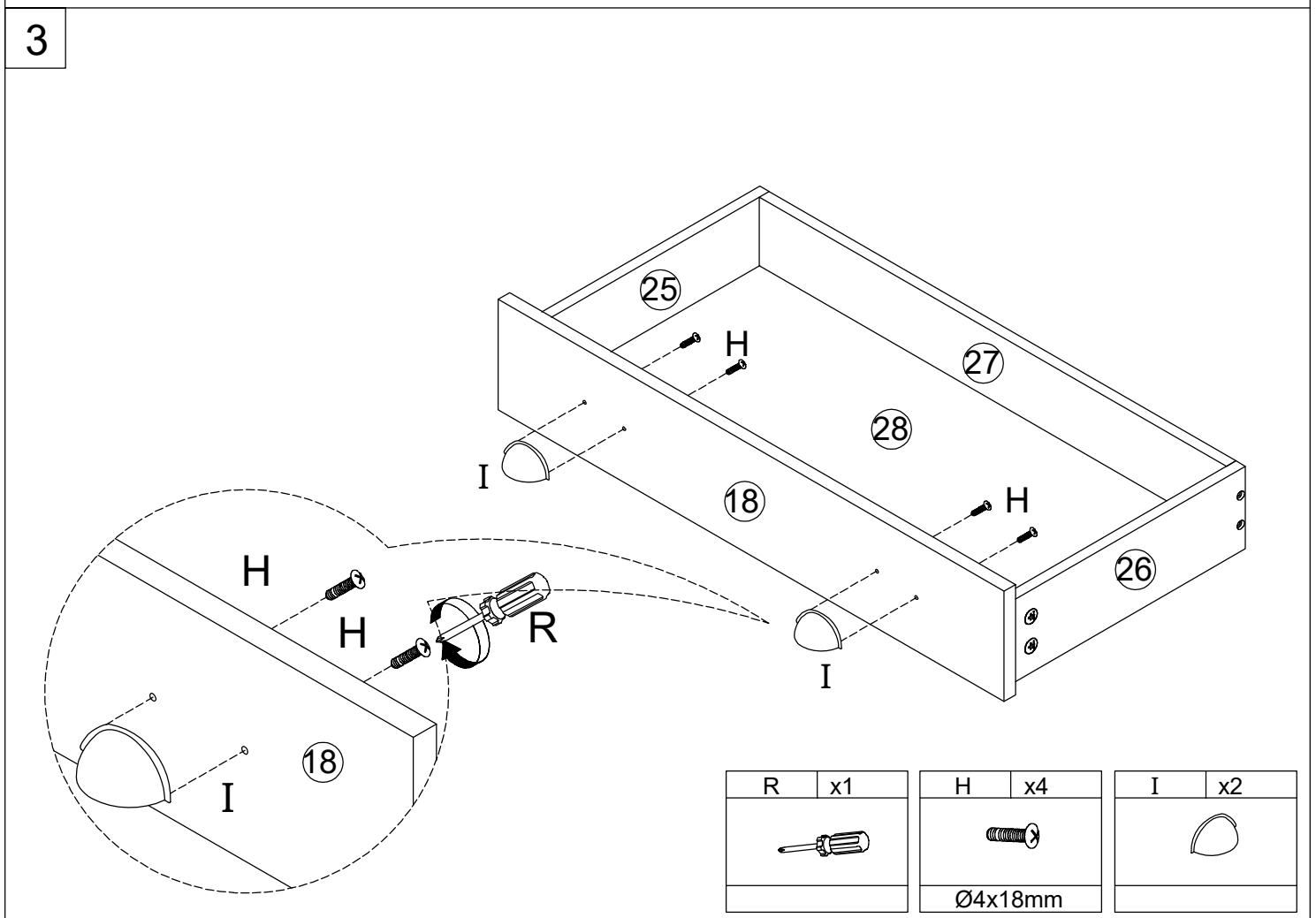
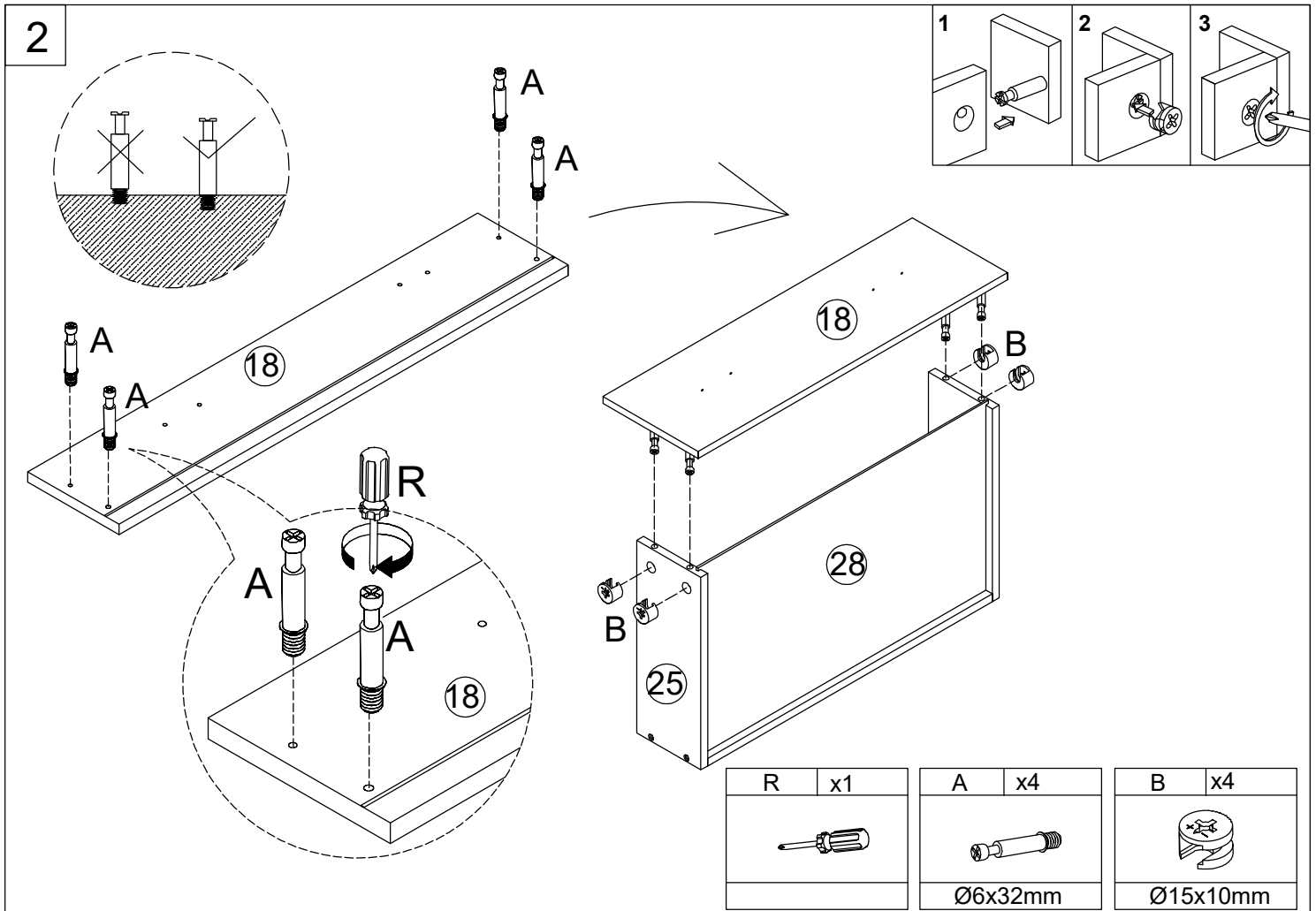
Hardware

A	x61 +2(spare)	B	x61 +2(spare)	C	x58 +2(spare)	D	x44 +2(spare)	E	x32 +3(spare)	F	x8
											
Ø6x32mm		Ø15x10mm		Ø6x30mm		Ø4x35mm		Ø3.5x12mm		Ø20mm	
G	x4	H	x8	I	x2	J	x68 +4(spare)	K	x16	L	x8
											
		Ø4x18mm				Ø3.5x14mm					
M	x6	N	x4	O	x16	P	x2	Q	x6	R	x1
											
				Ø3x16mm							
S	x2	T	x2	CL	x4	CR	x4	DL	x4	DR	x4
											
		Ø8x40mm		L300mm		L300mm		L300mm		L300mm	

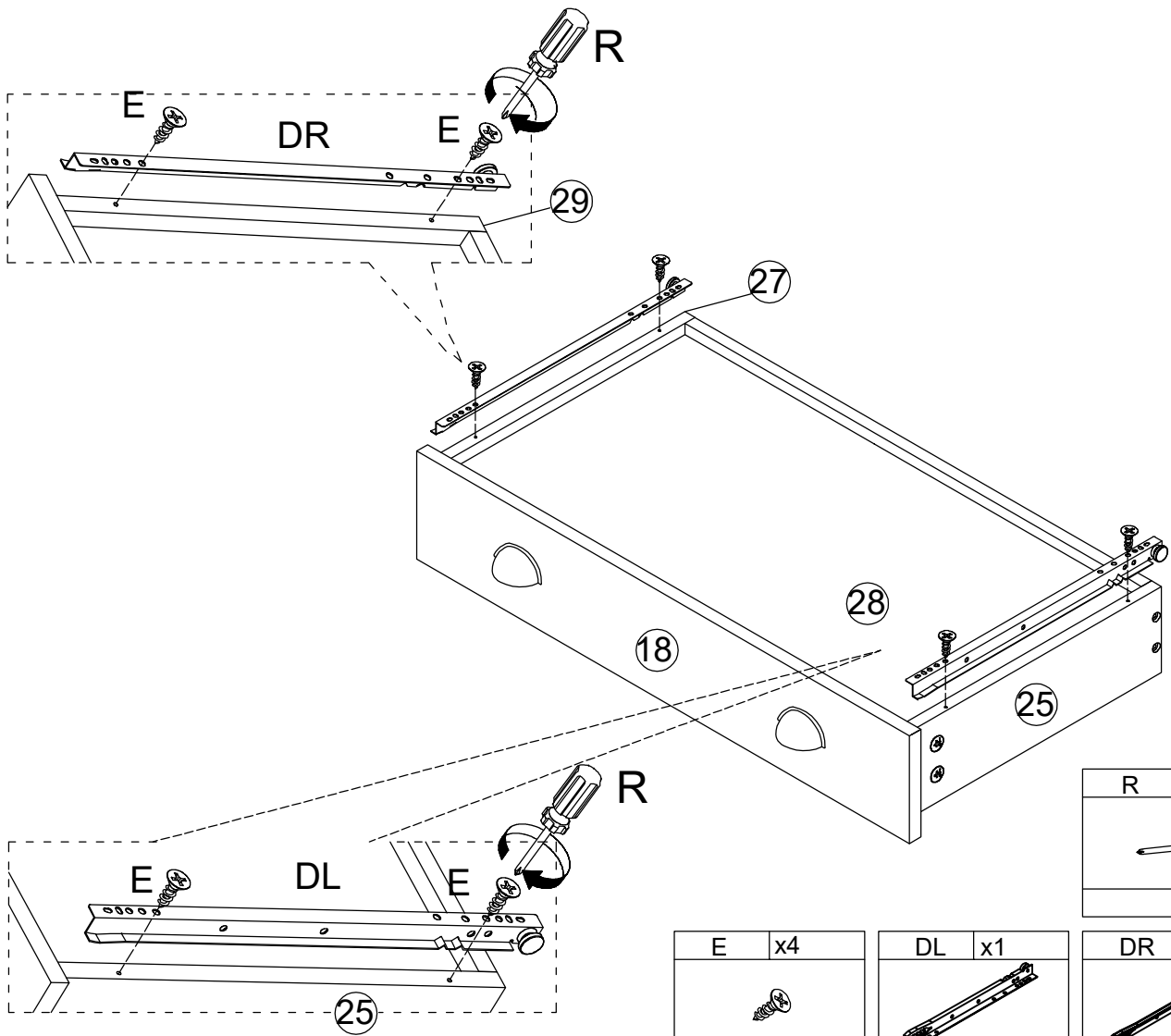
1




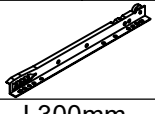
R	x1	D	x4
			
		Ø4x35mm	





4



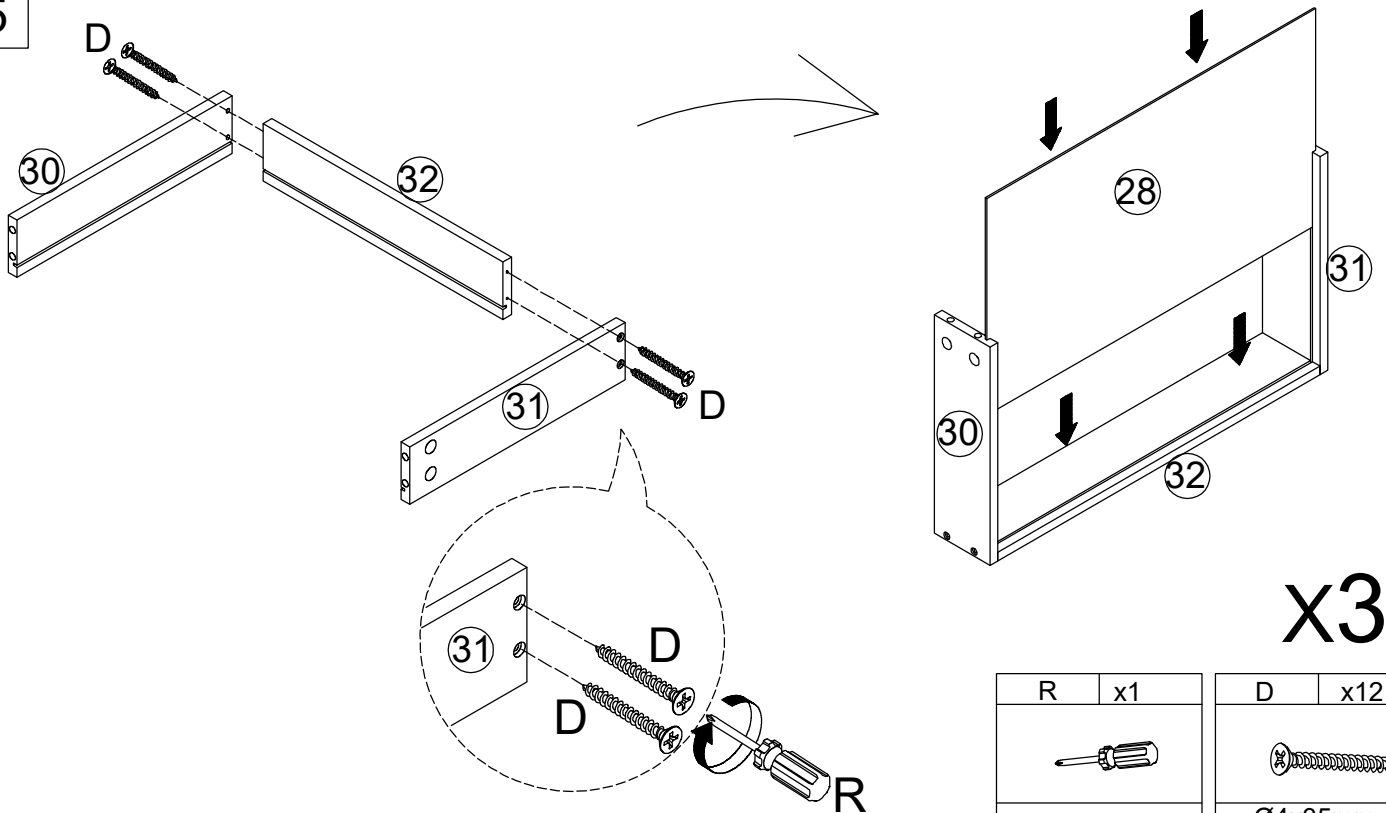
E	x4
	
Ø3.5x12mm	


DL	x1
	
L300mm	

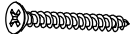
R	x1
	

DR	x1
	
L300mm	

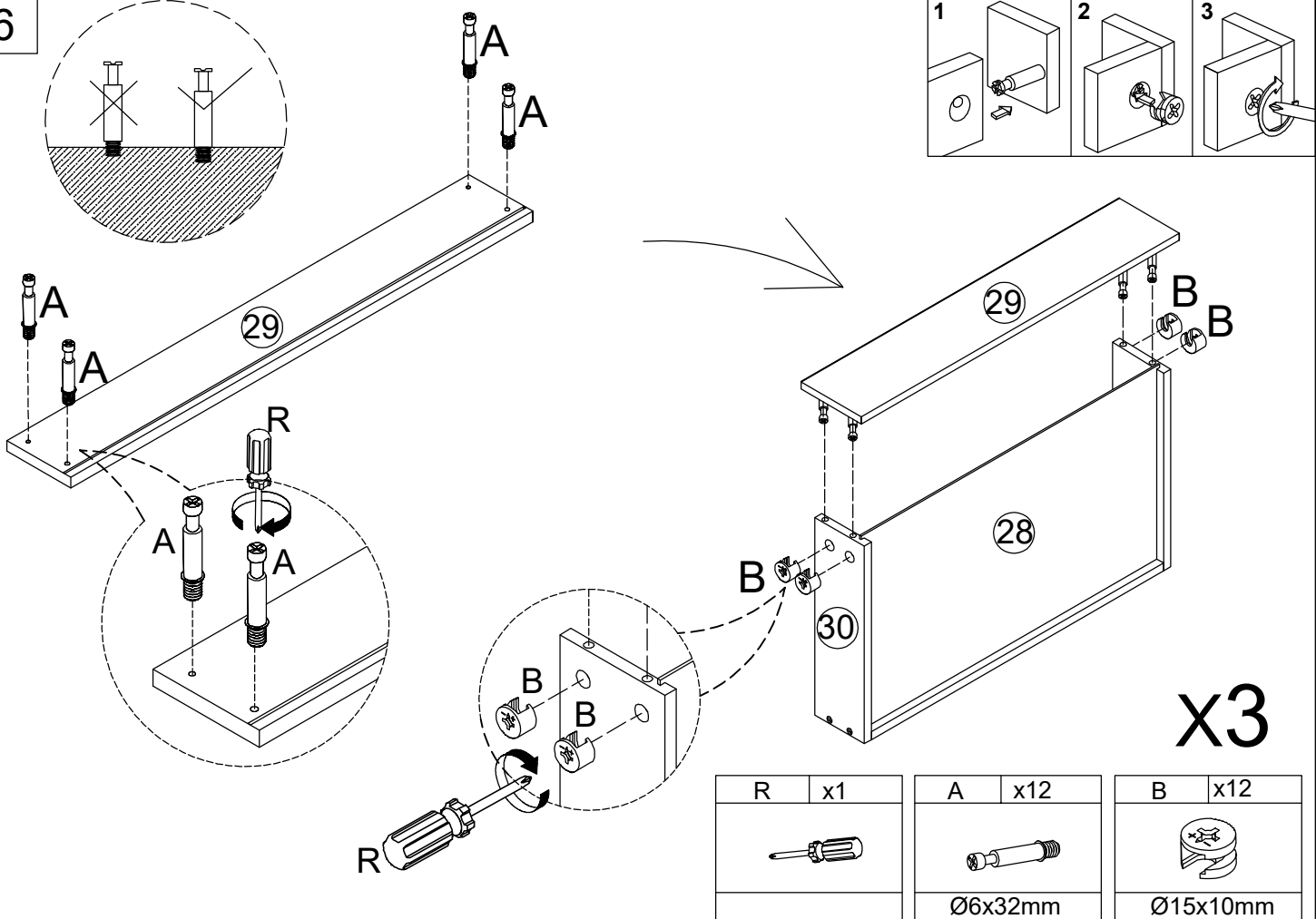
5




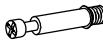
R	x1
	


D	x12
	
Ø4x35mm	

6

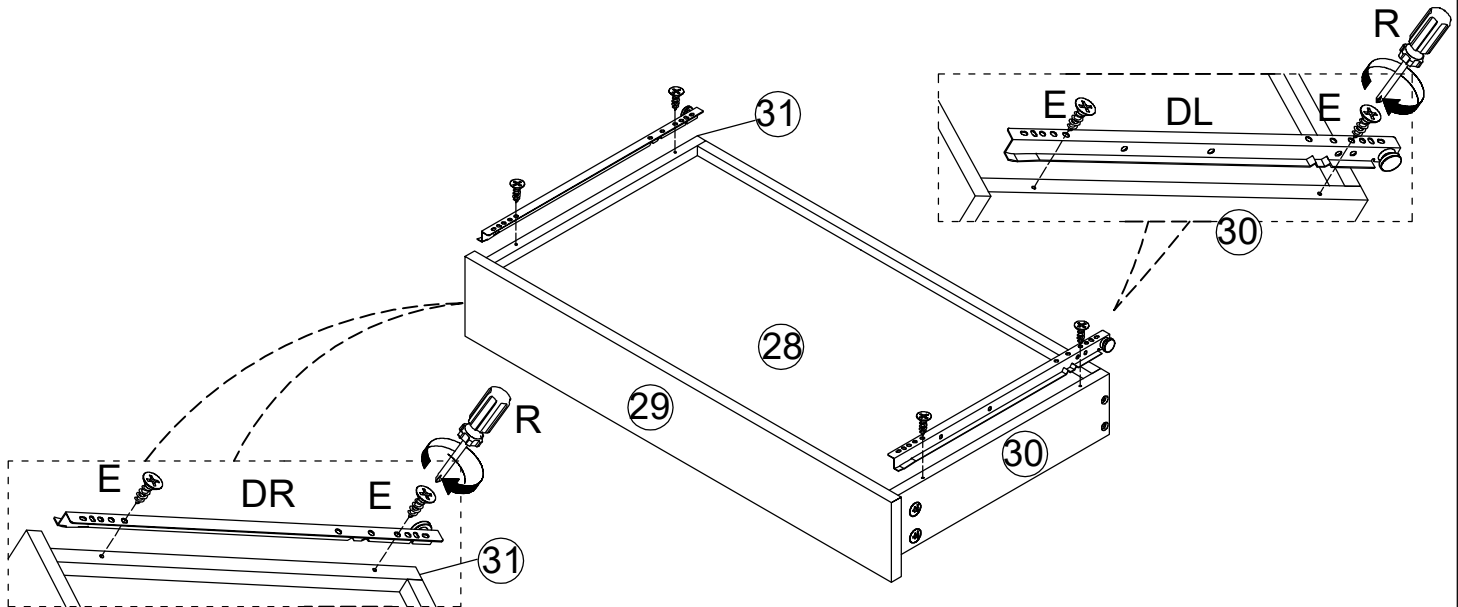



R	x1
	


A	x12
	
Ø6x32mm	

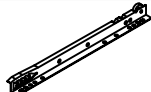
B	x12
	
Ø15x10mm	


7



R	x1
	

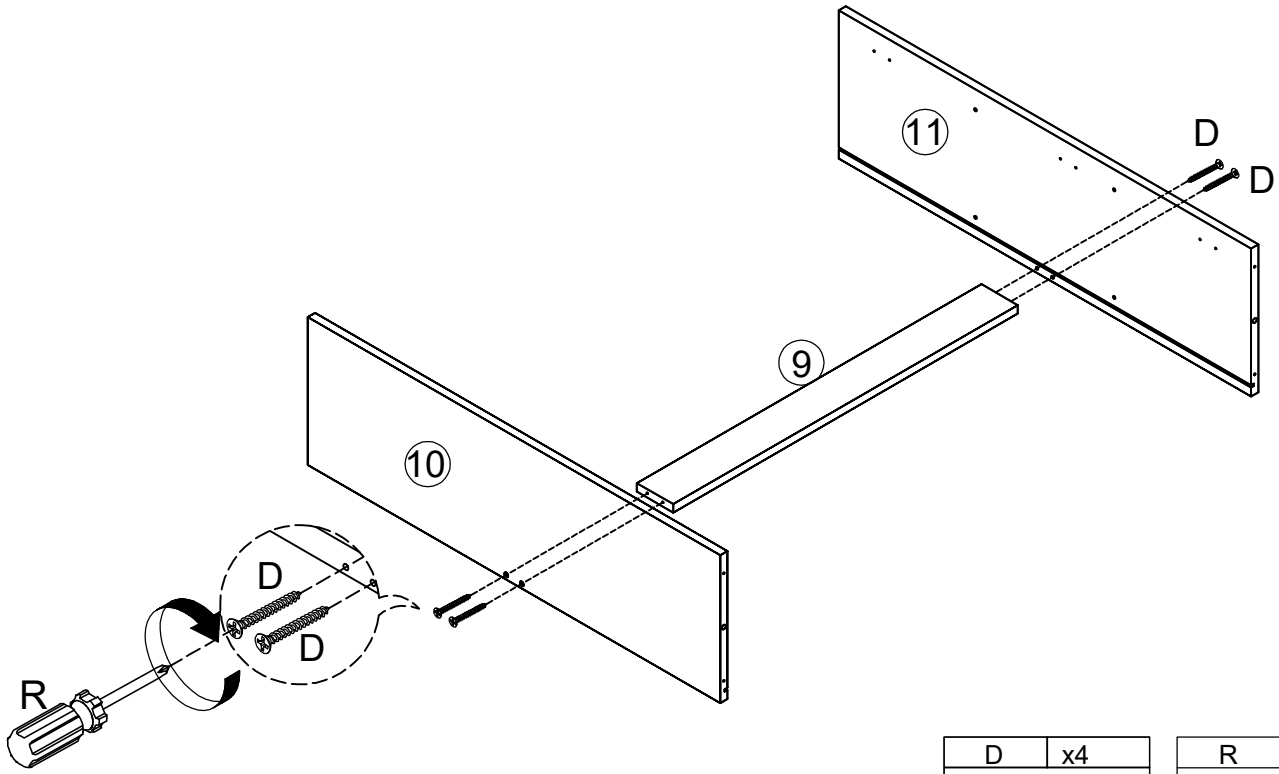
E	x12
	
Ø3.5x12mm	

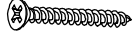
DL	x3
	
L300mm	


DR	x3
	
L300mm	

X3

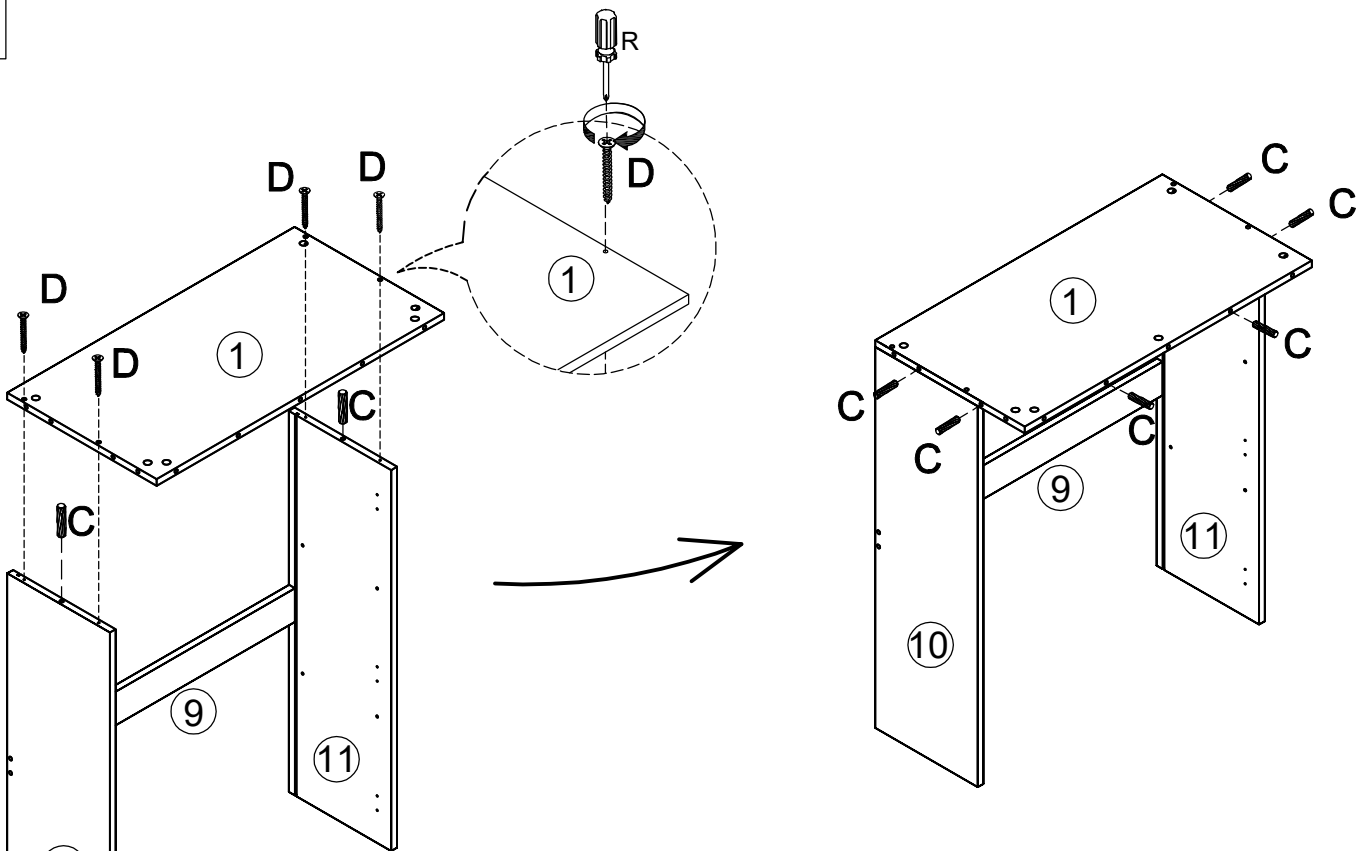
8




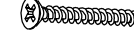
D	x4
	
Ø4x35mm	


R	x1
	

9

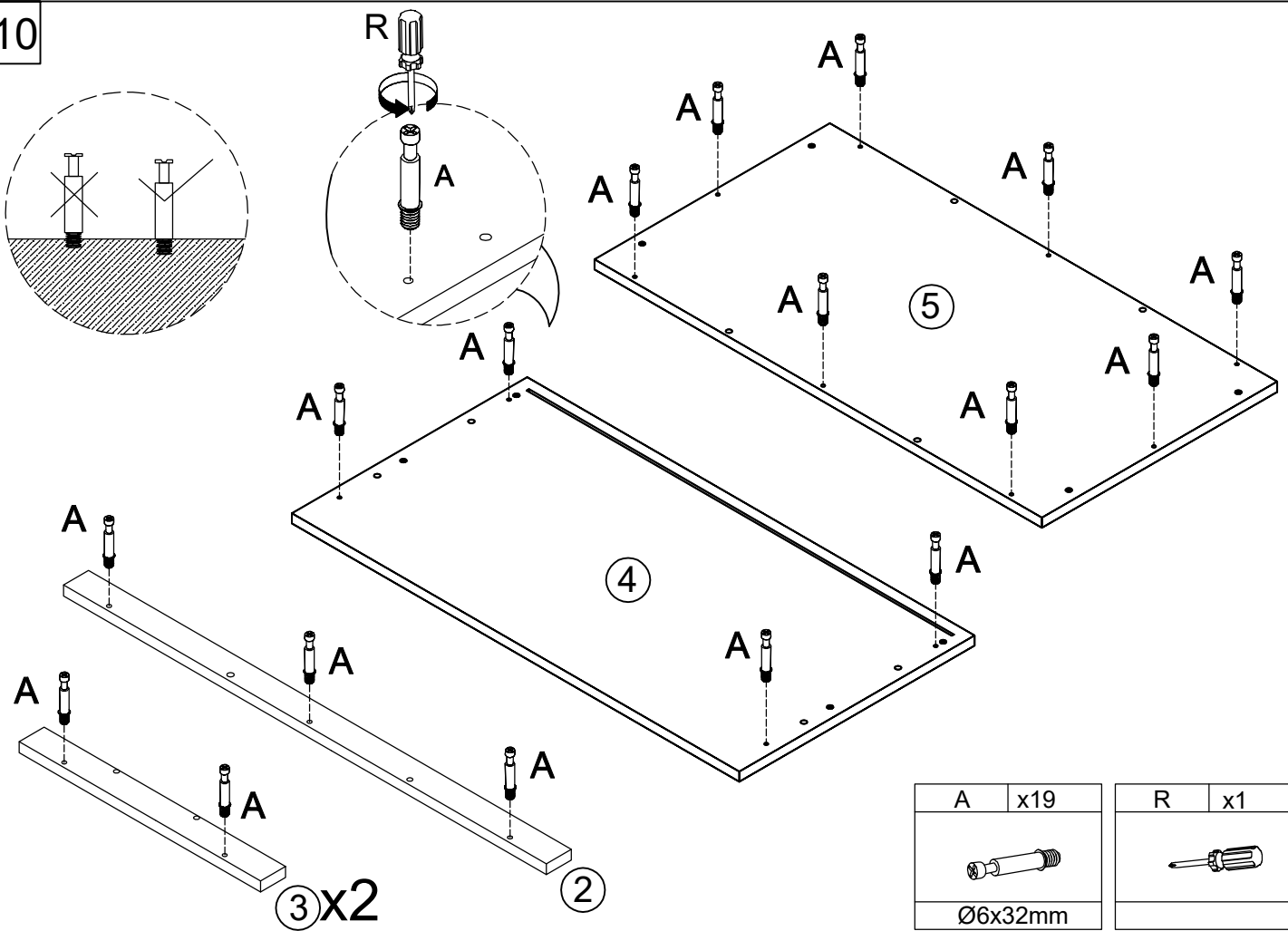


C	x8
	
Ø6x30mm	

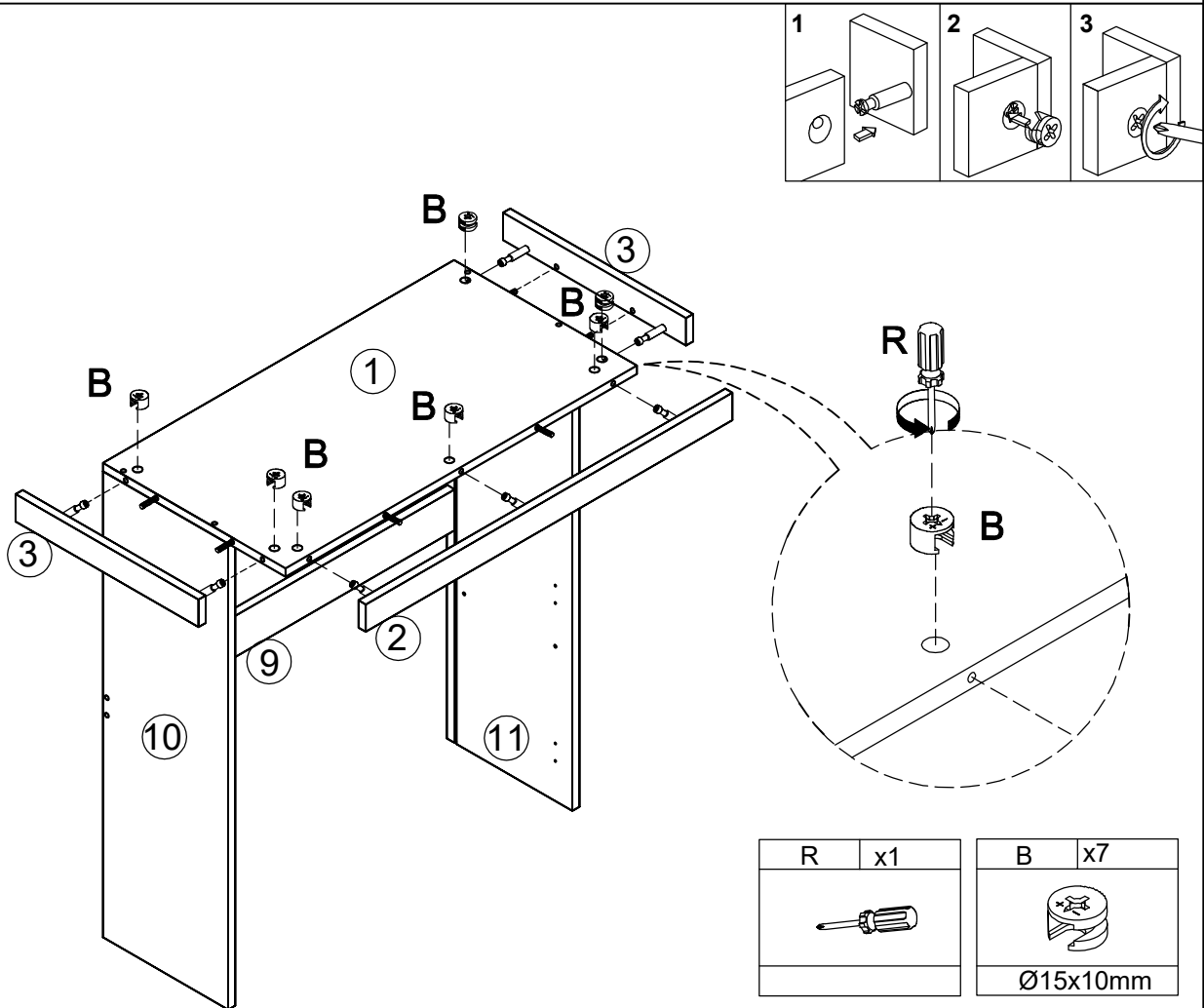
D	x4
	
Ø4x35mm	

R	x1
	

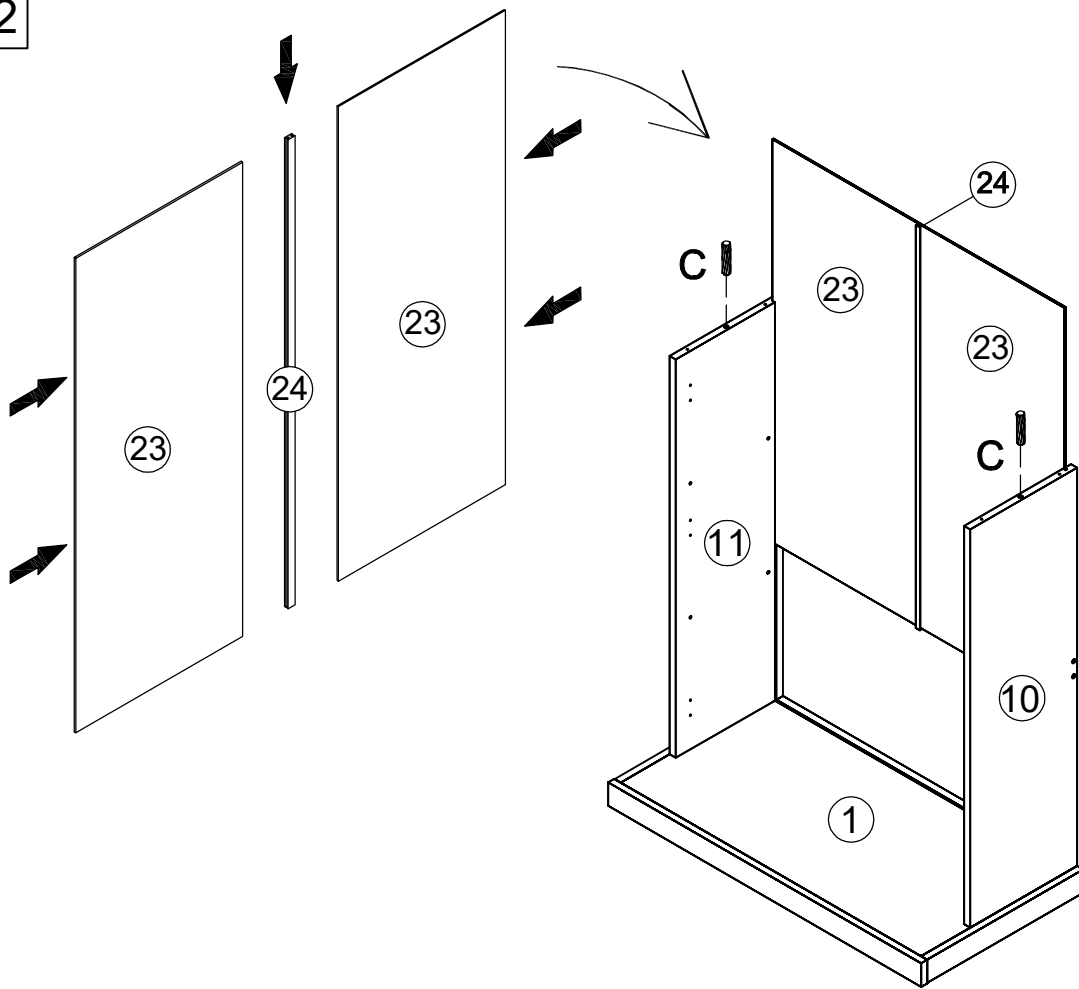
10




11

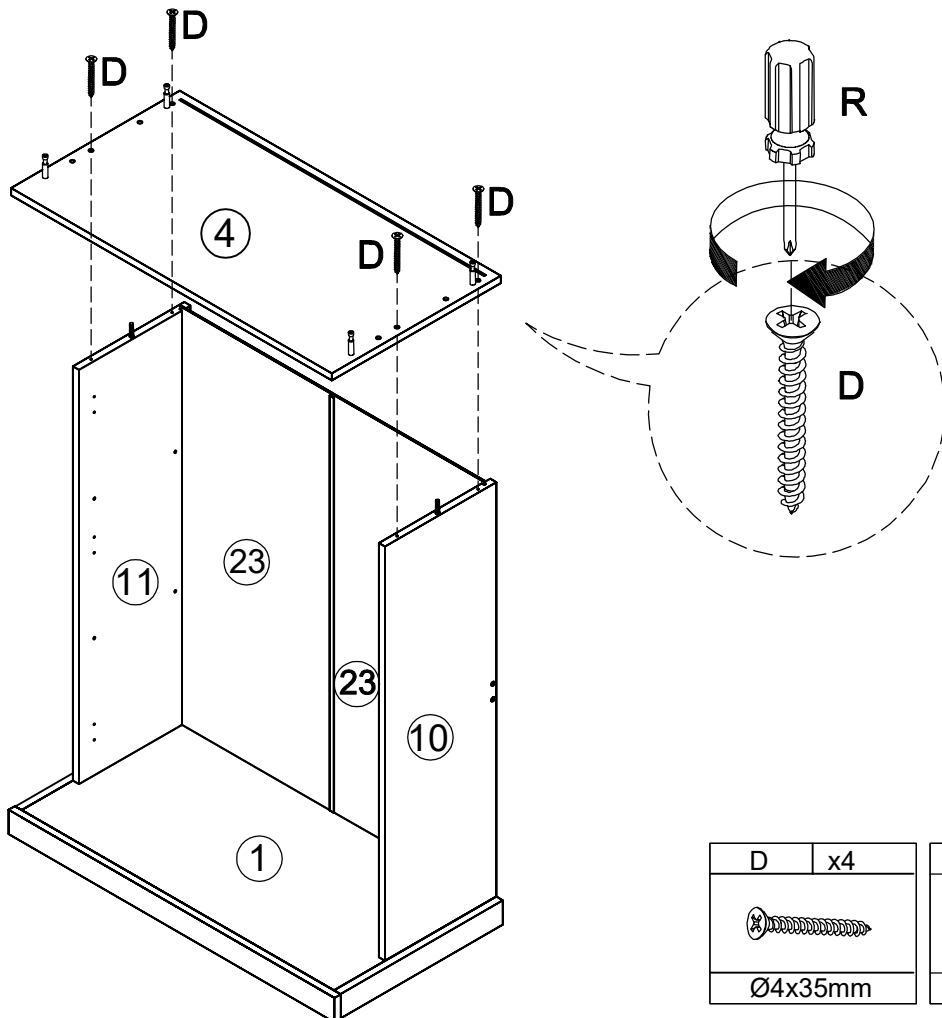



12




C	x2
	
$\text{Ø}6 \times 30 \text{mm}$	

13

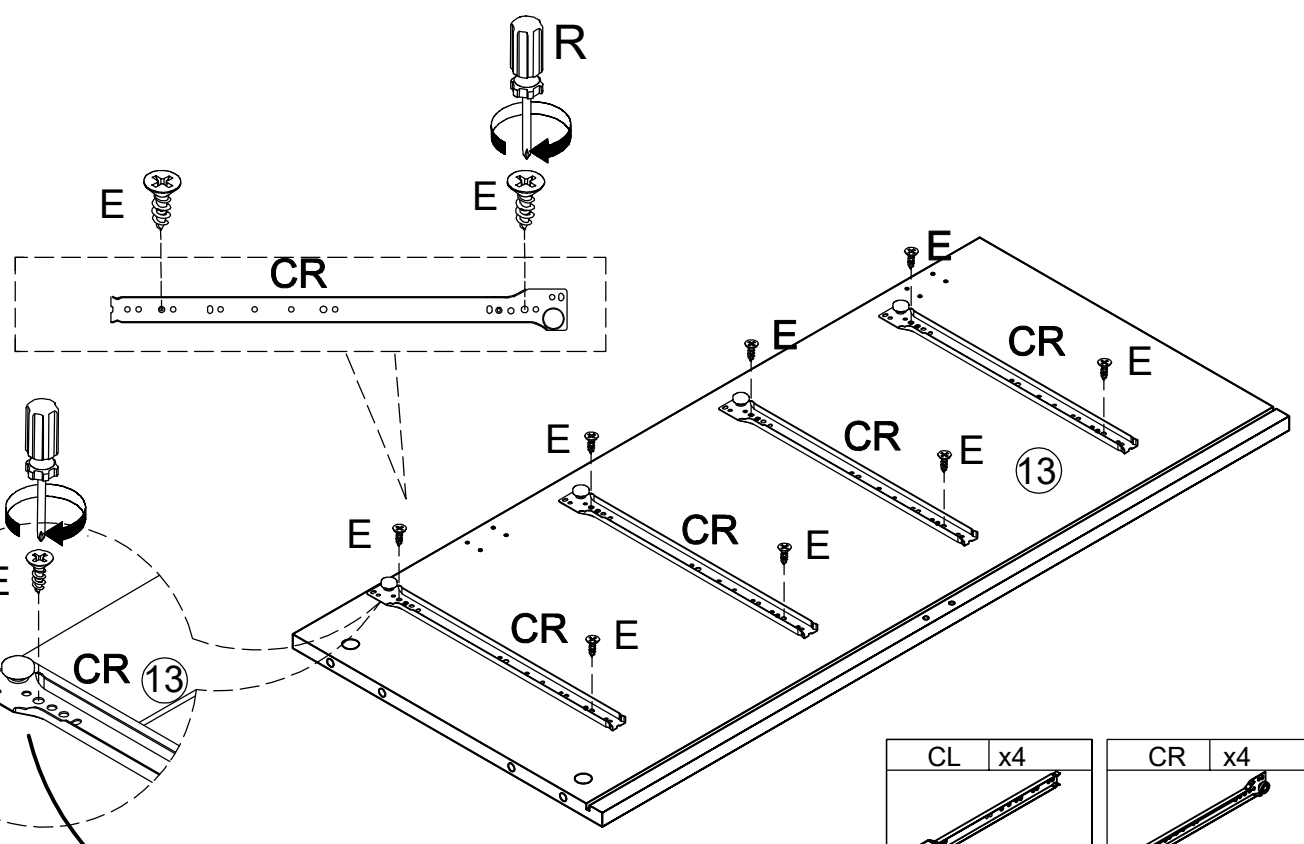
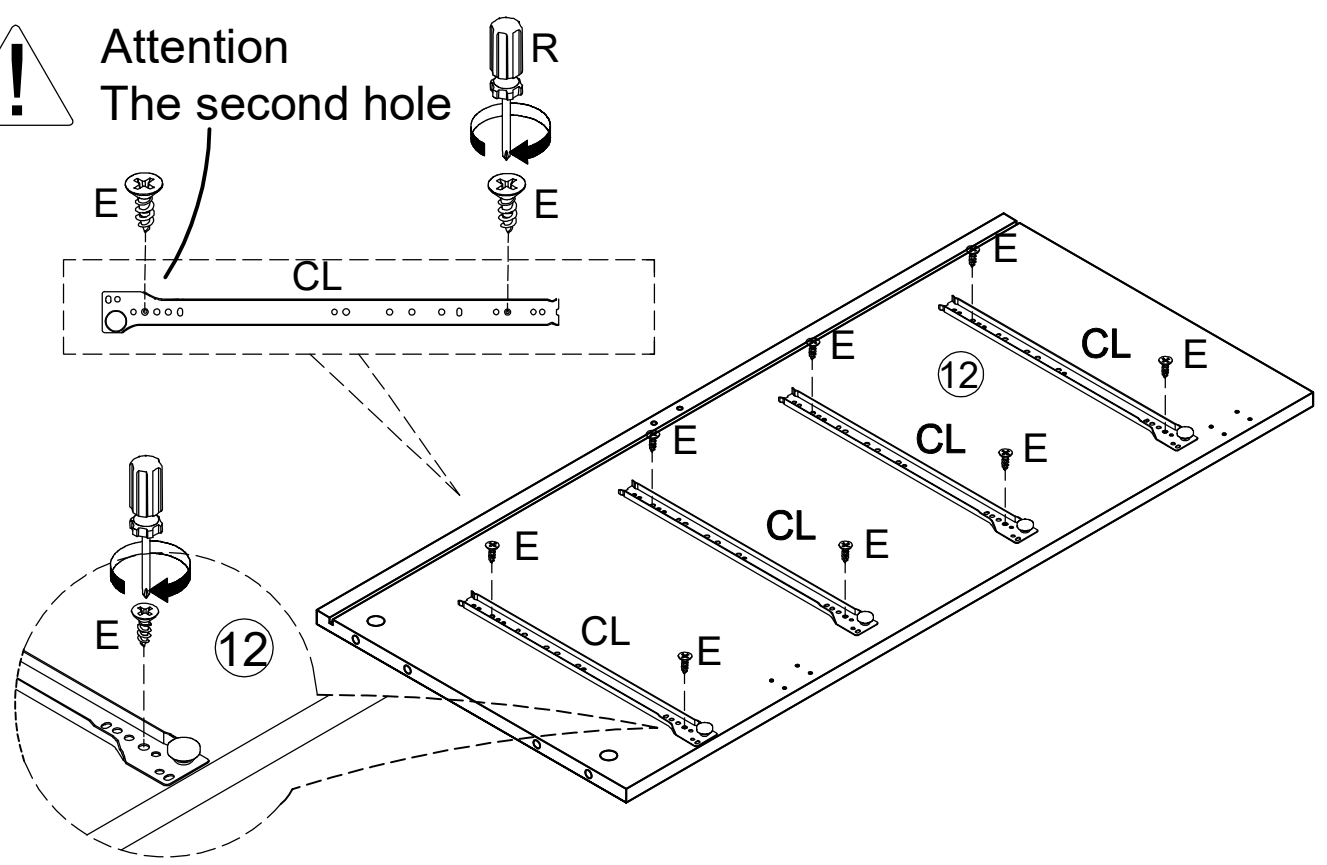


D	x4
	
$\text{Ø}4 \times 35 \text{mm}$	

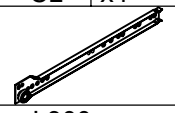


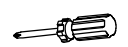
R	x1
	



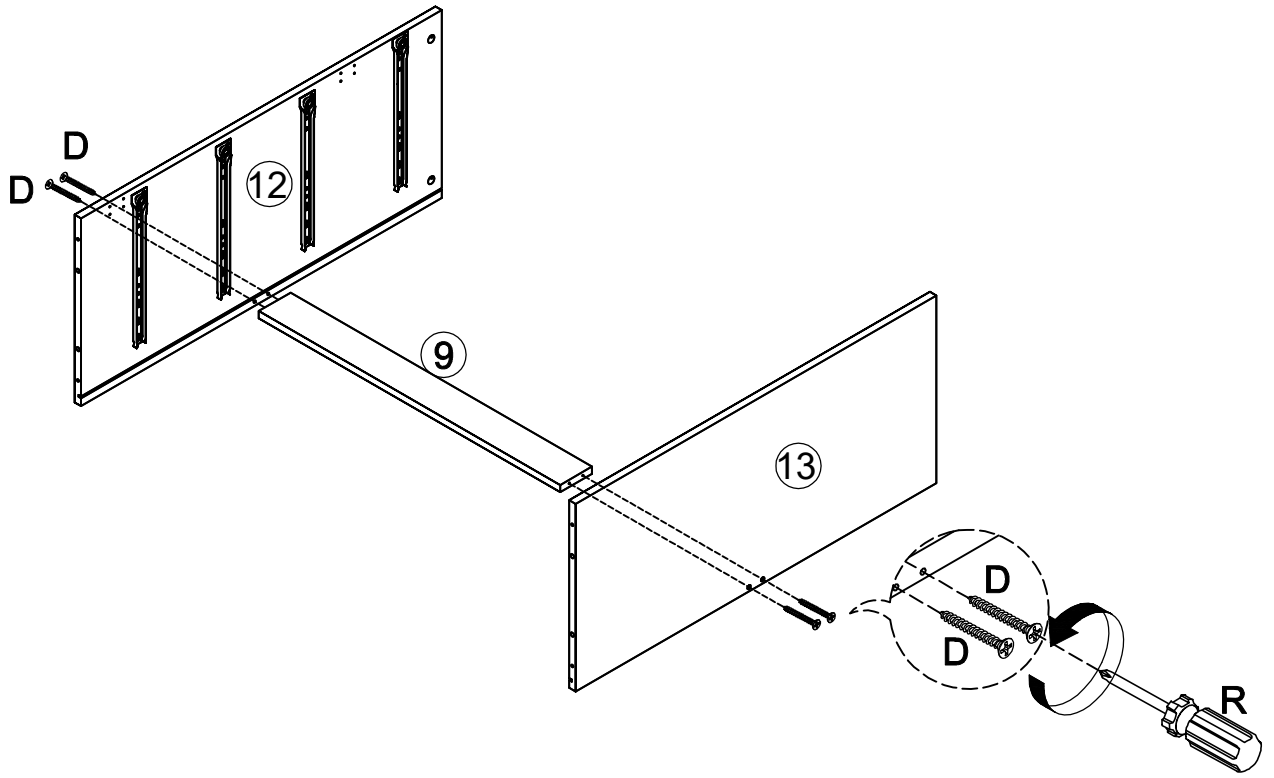
Attention
The second hole

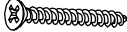



Attention
The second hole

CL	x4	CR	x4
			
L300mm		L300mm	
E	x16	R	x1
			
Ø3.5x12mm			

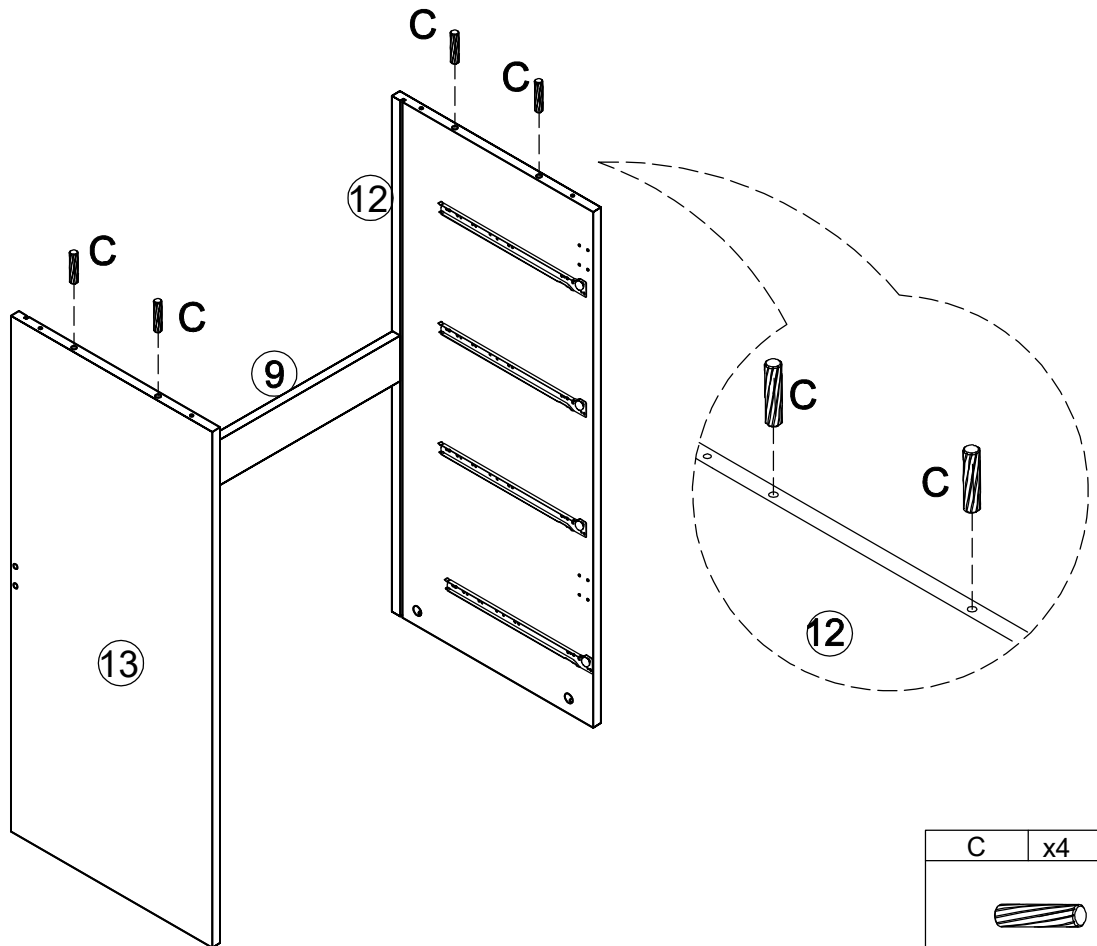
15




D	x4
	
Ø4x35mm	

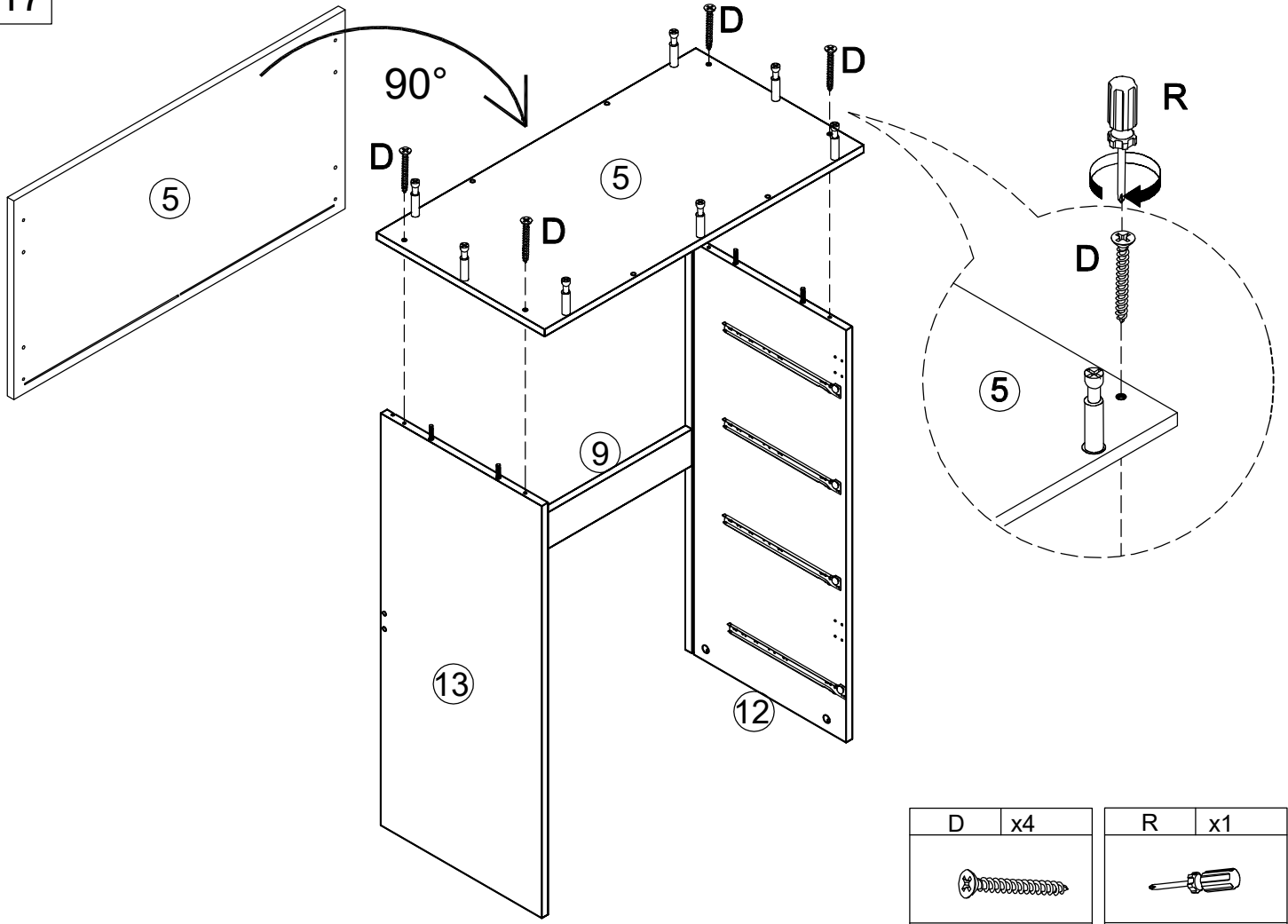
R	x1
	



16



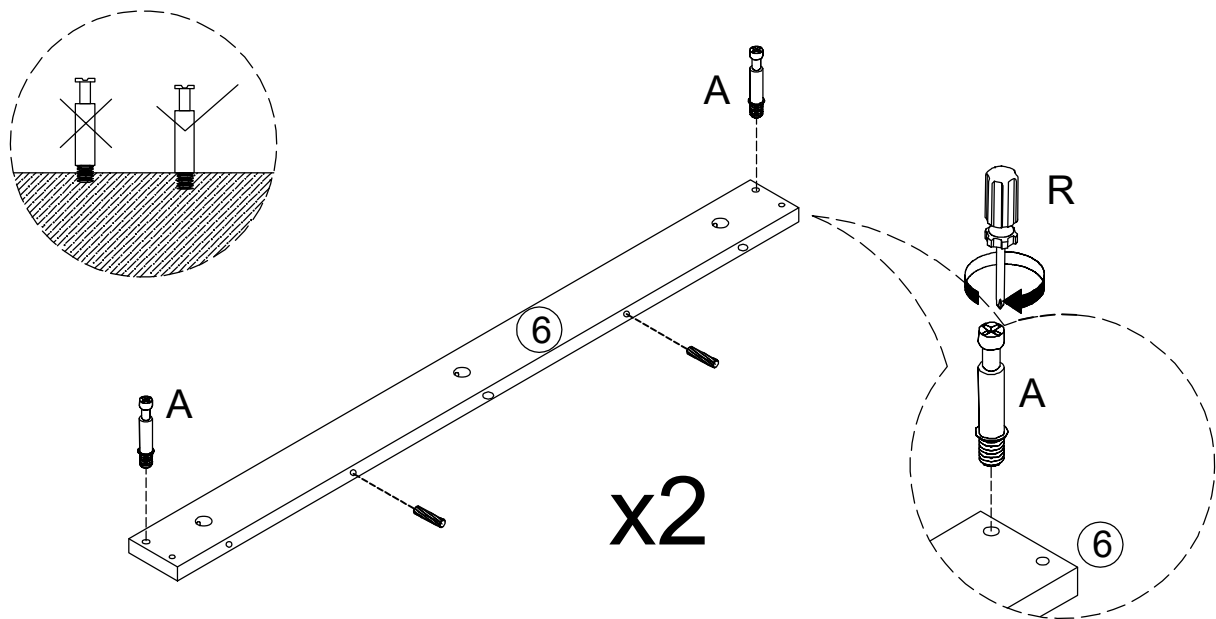
C	x4
	
Ø6x30mm	




17



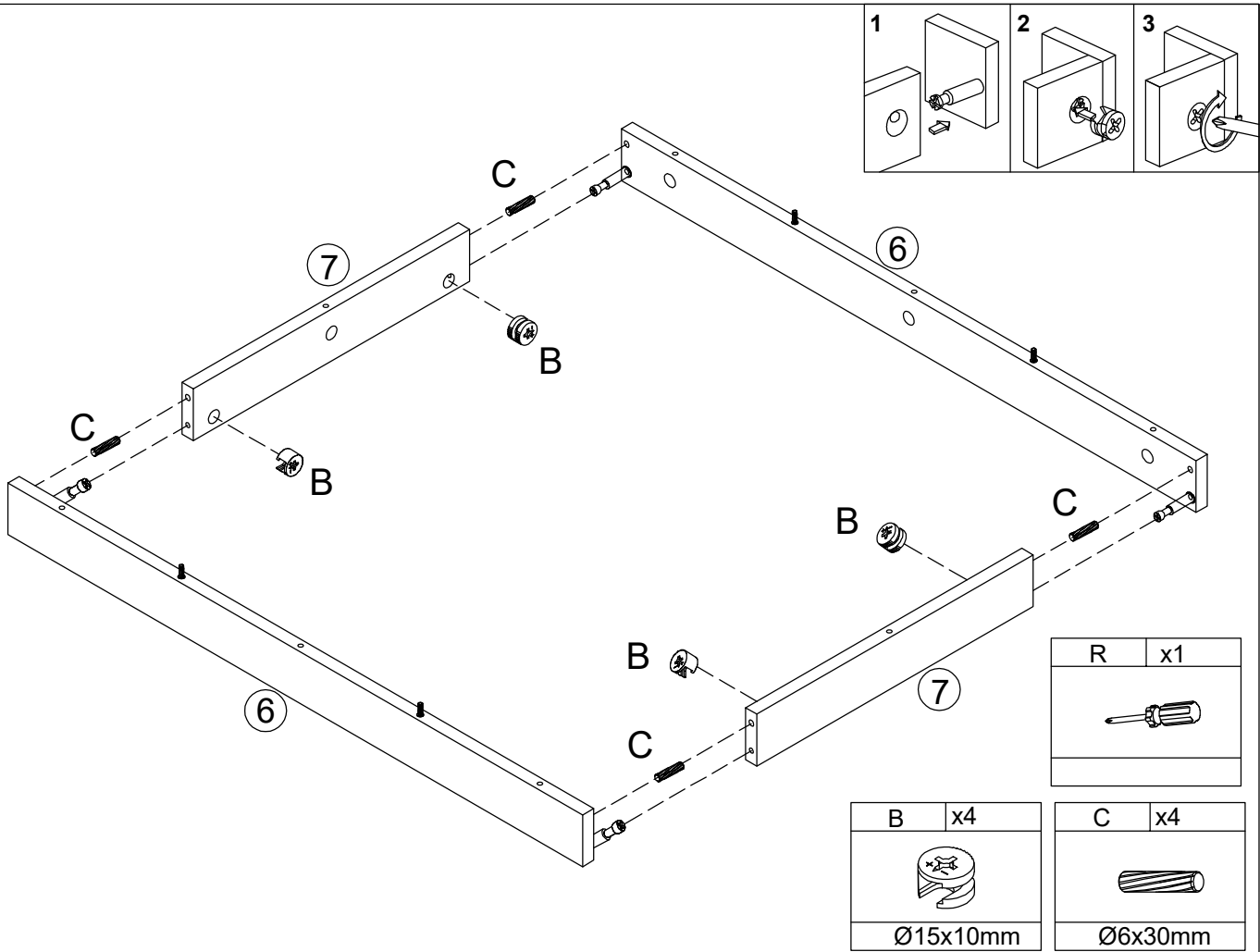
D	x4	R	x1
			
Ø4x35mm			

18

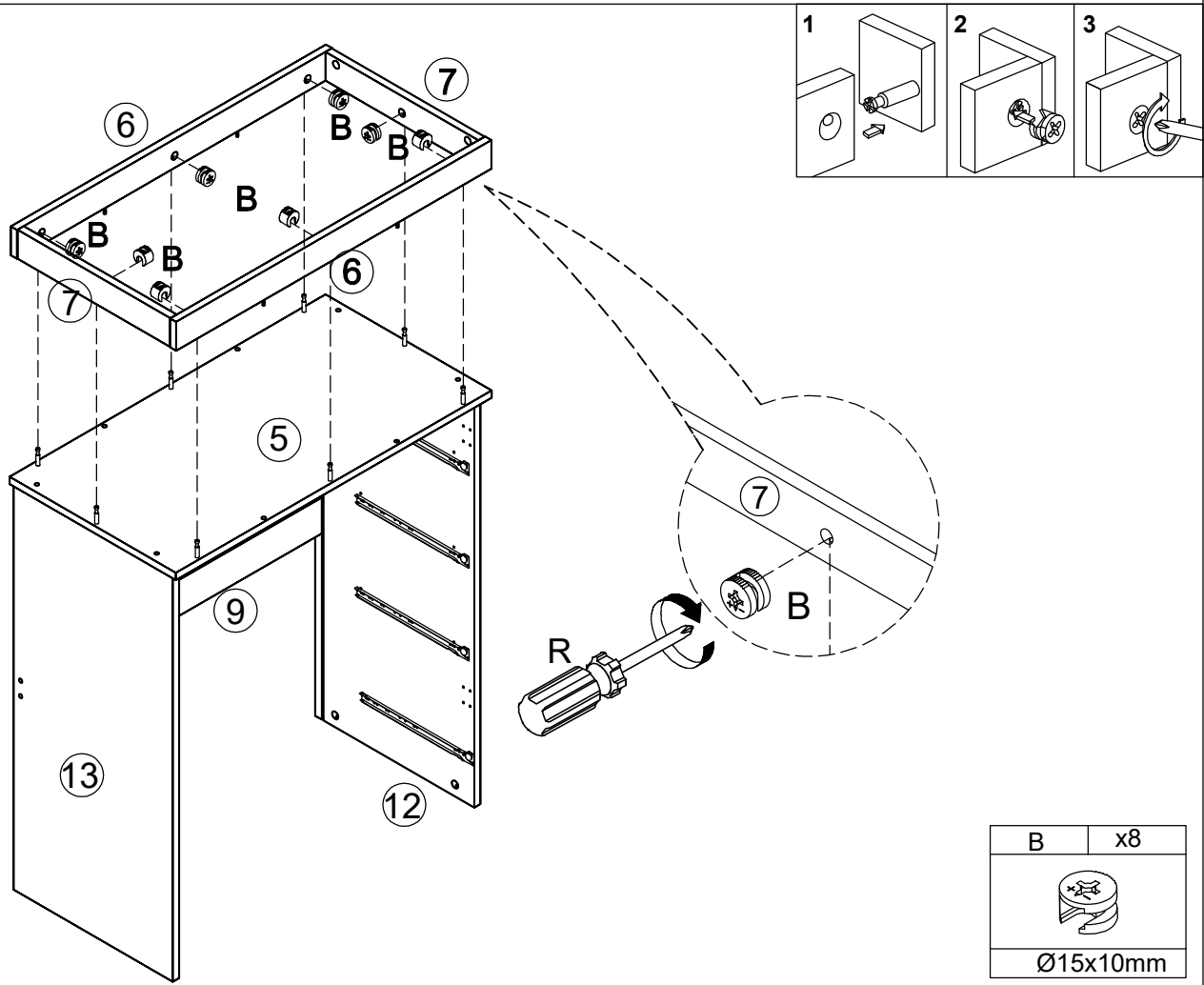


C	x4	A	x4	R	x1
					
Ø6x30mm		Ø6x32mm			

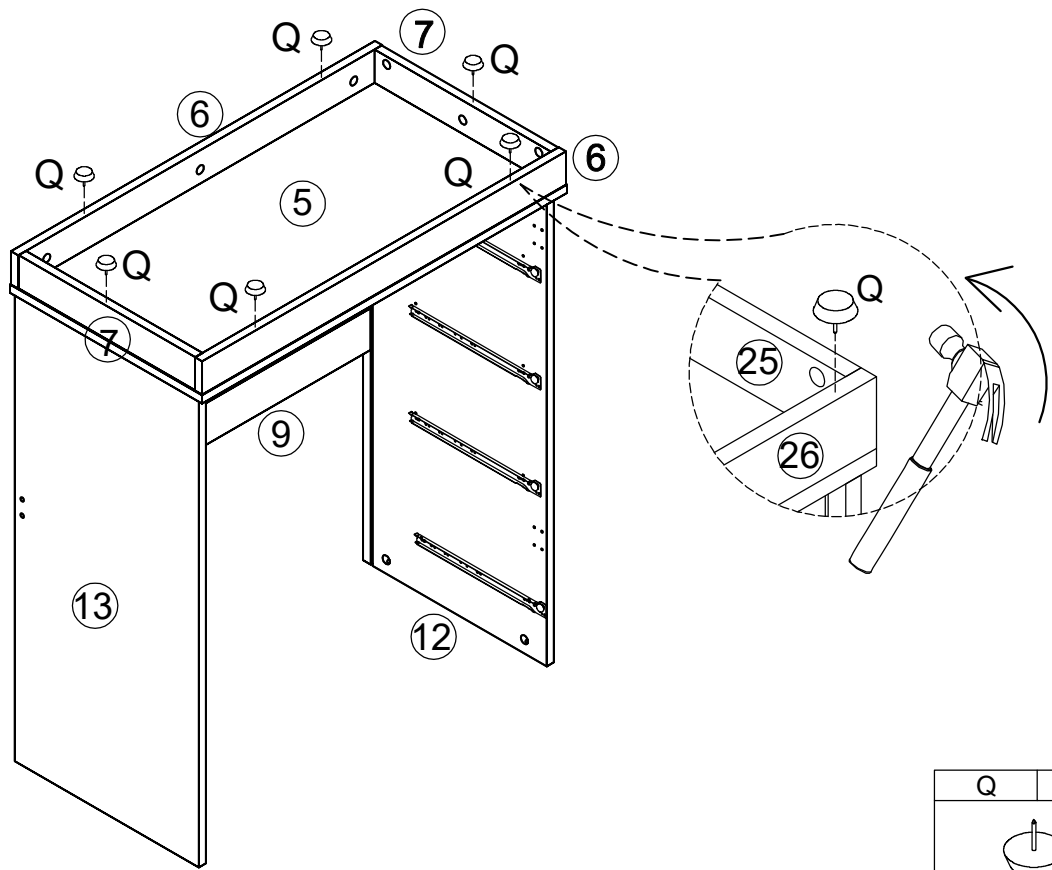
19




20

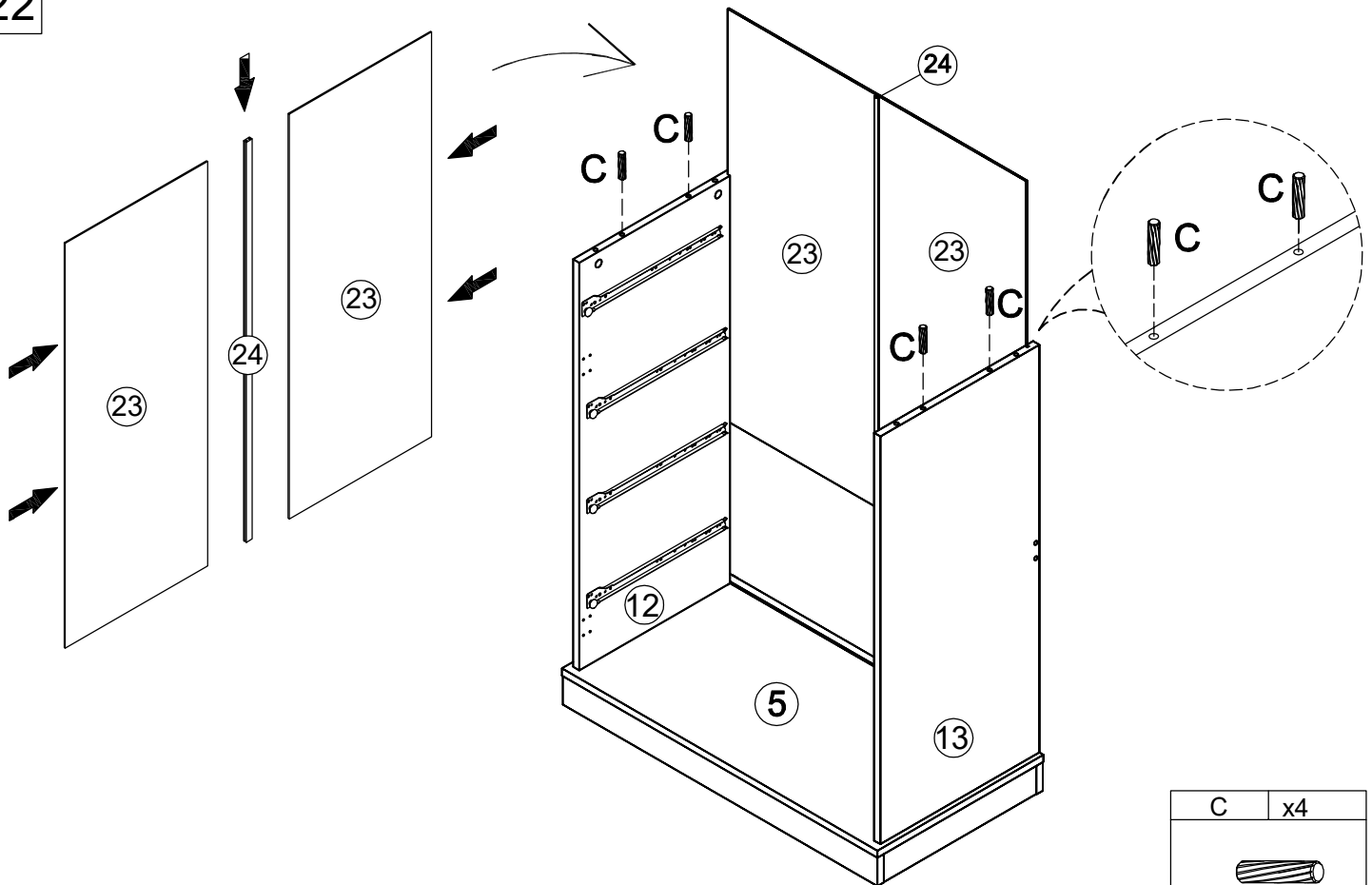



21

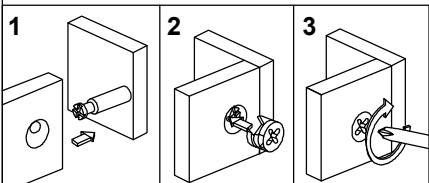
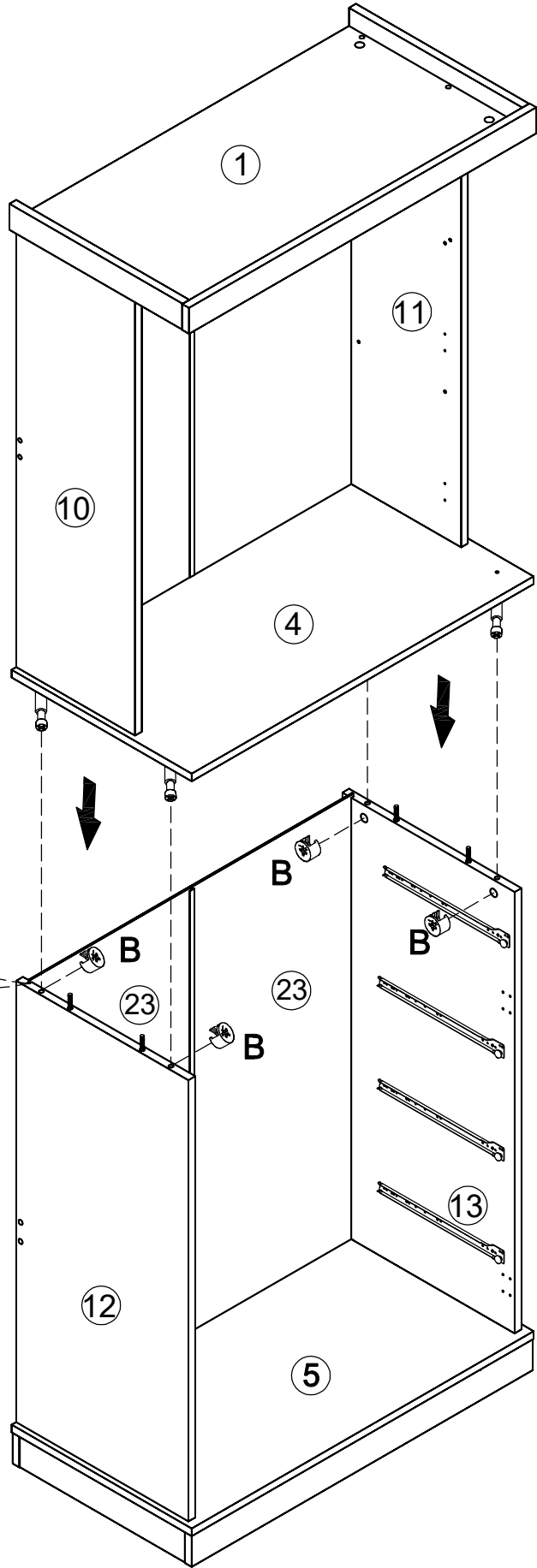
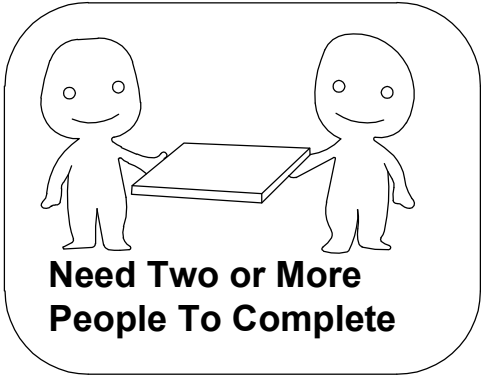


Q	x6
	

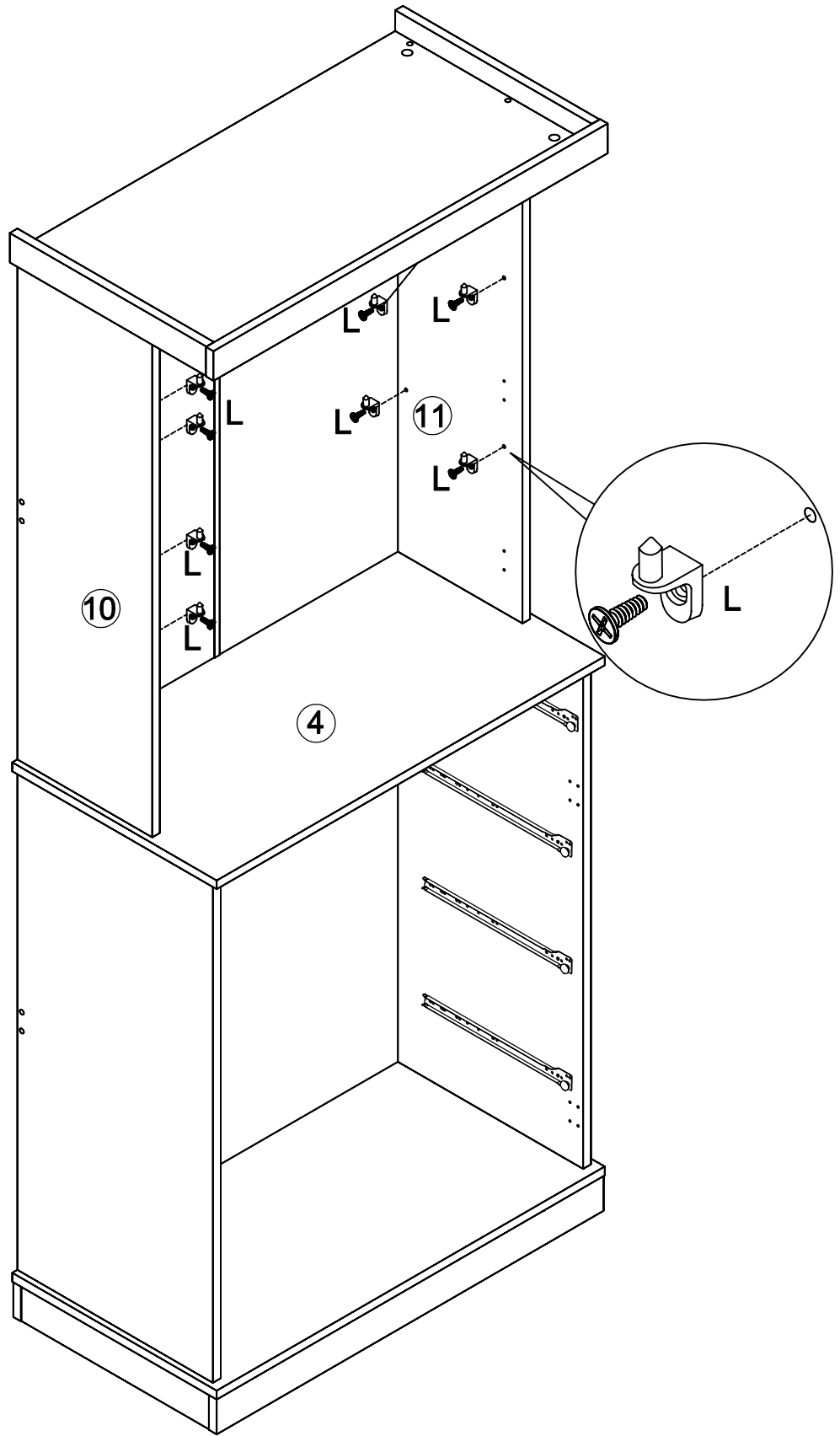
22



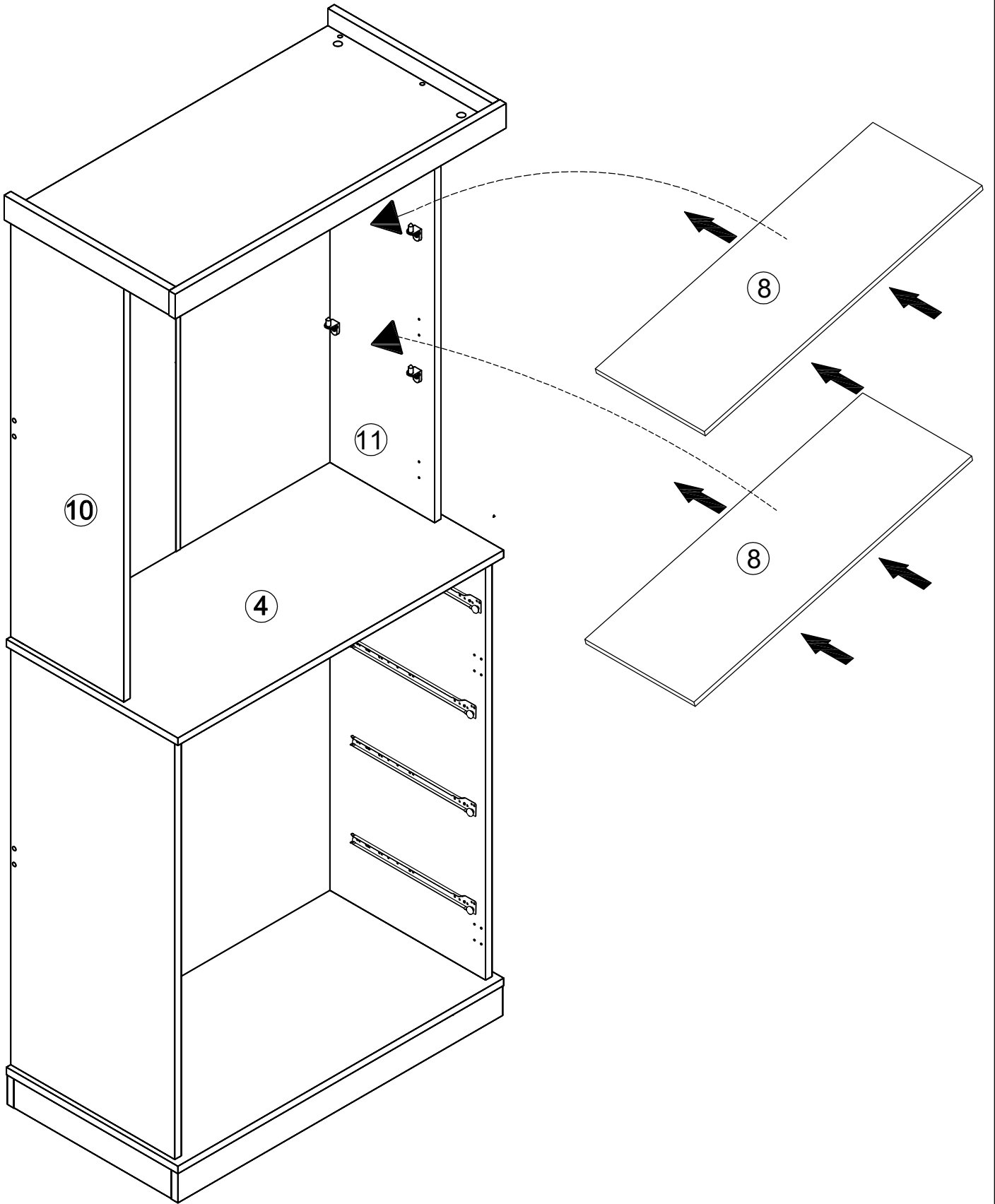
C	x4
	
$\text{Ø}6 \times 30 \text{mm}$	



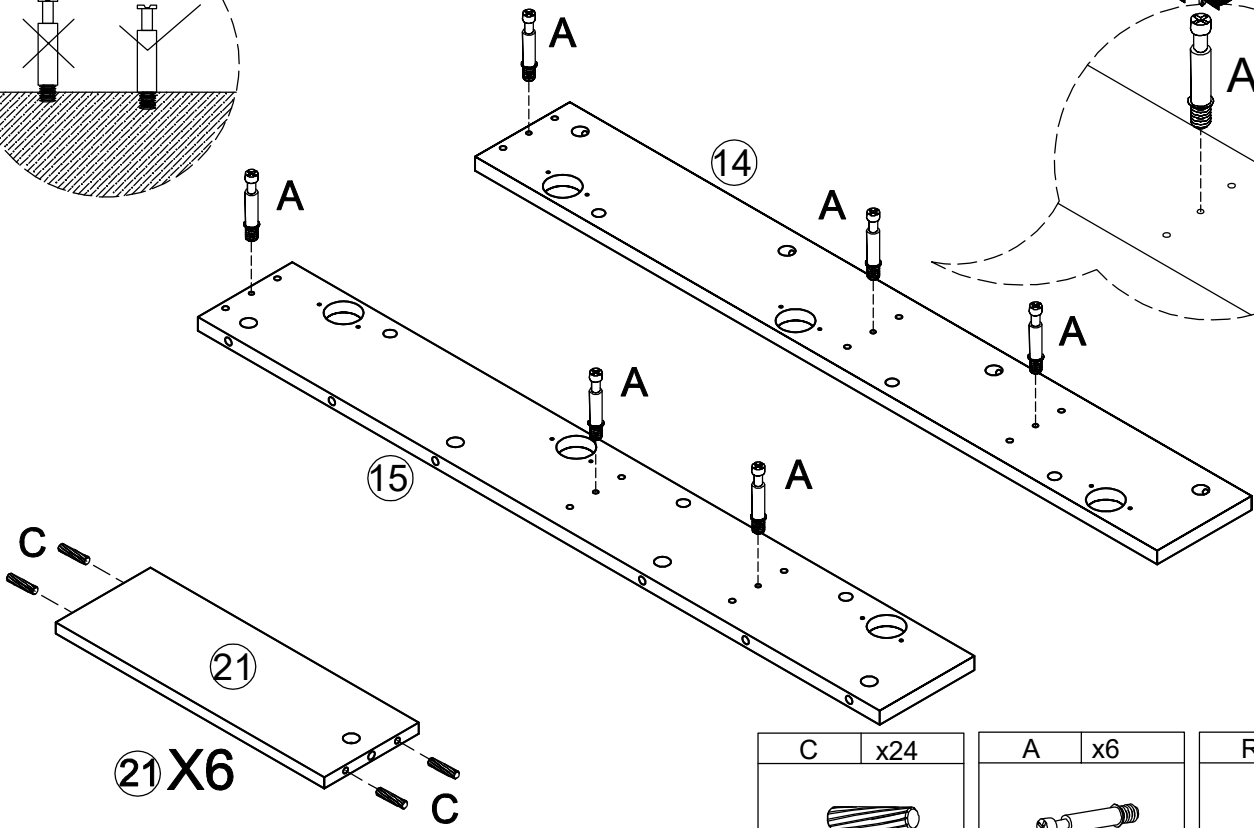
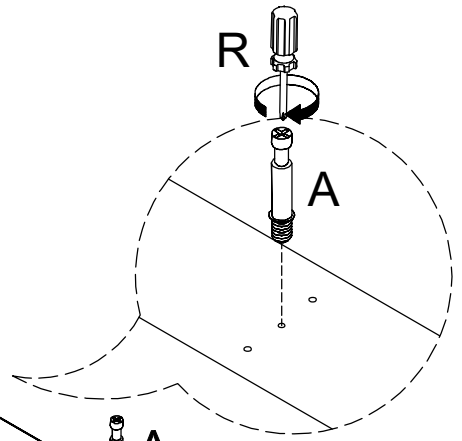
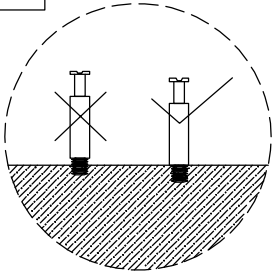
R	x1	B	x4
		Ø15x10mm	



L	x8



26

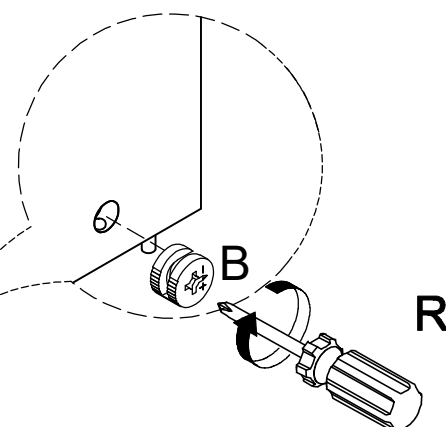
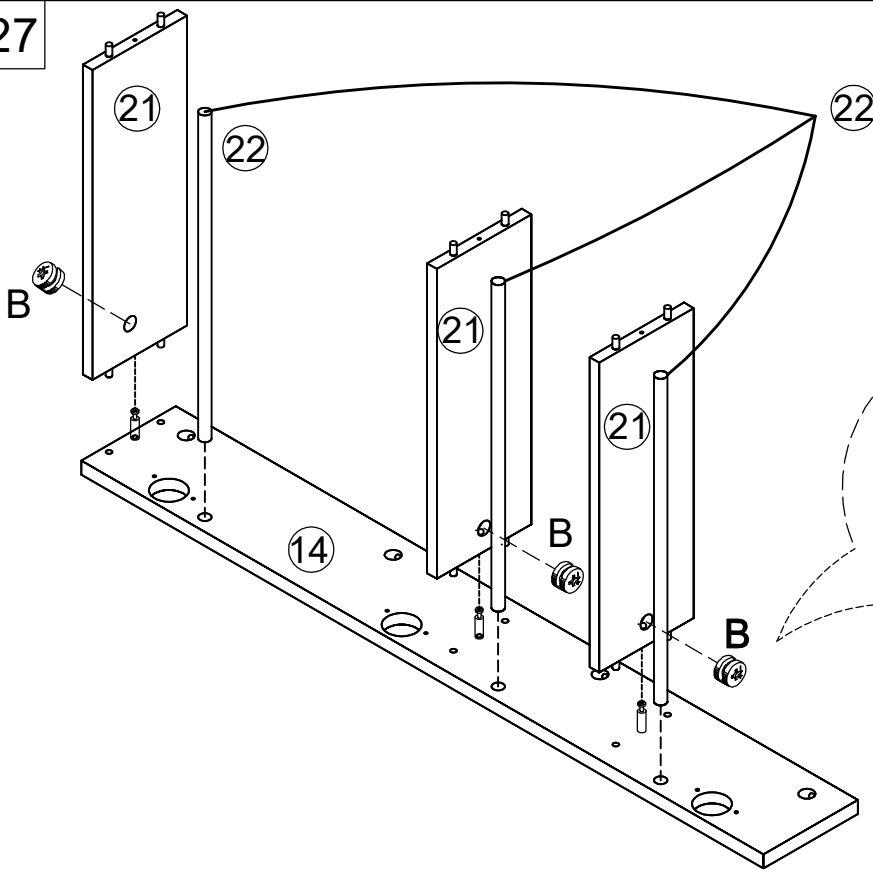
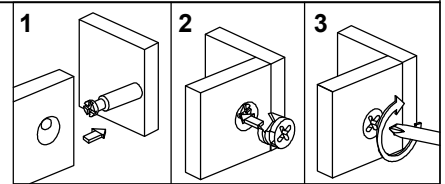


C	x24
Ø6x30mm	

A	x6
Ø6x32mm	

R	x1

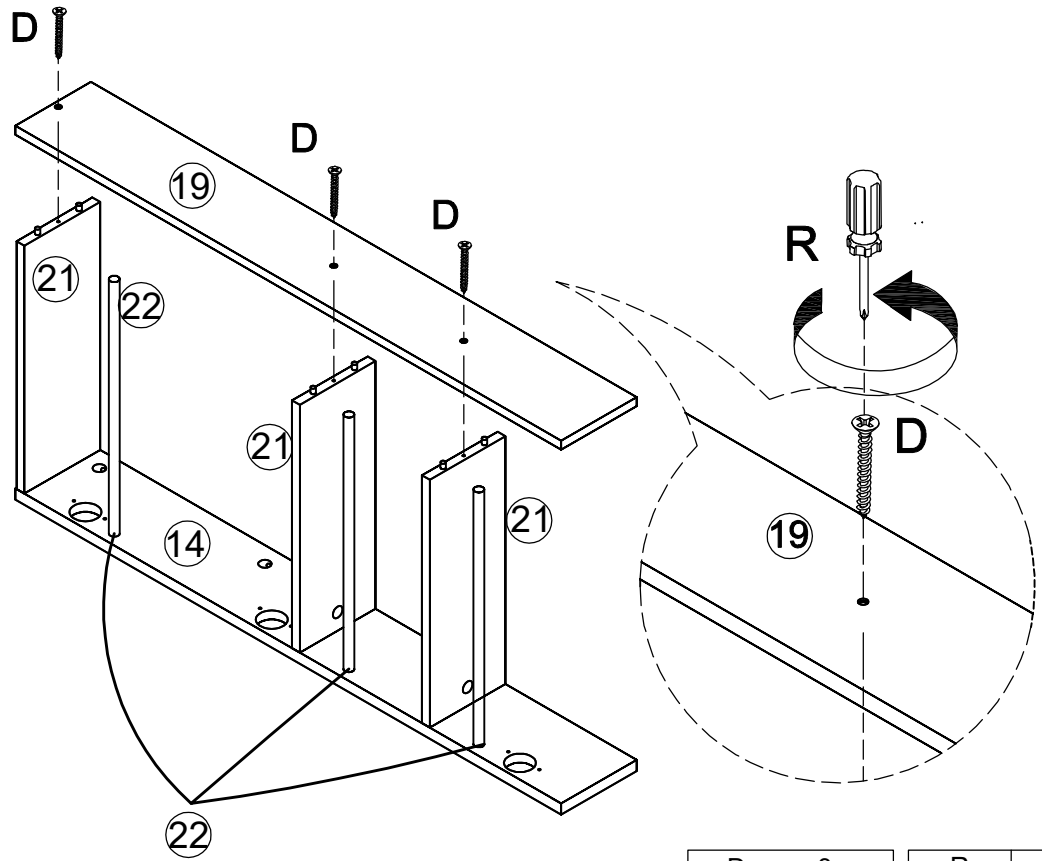
27

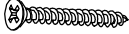



R	x1

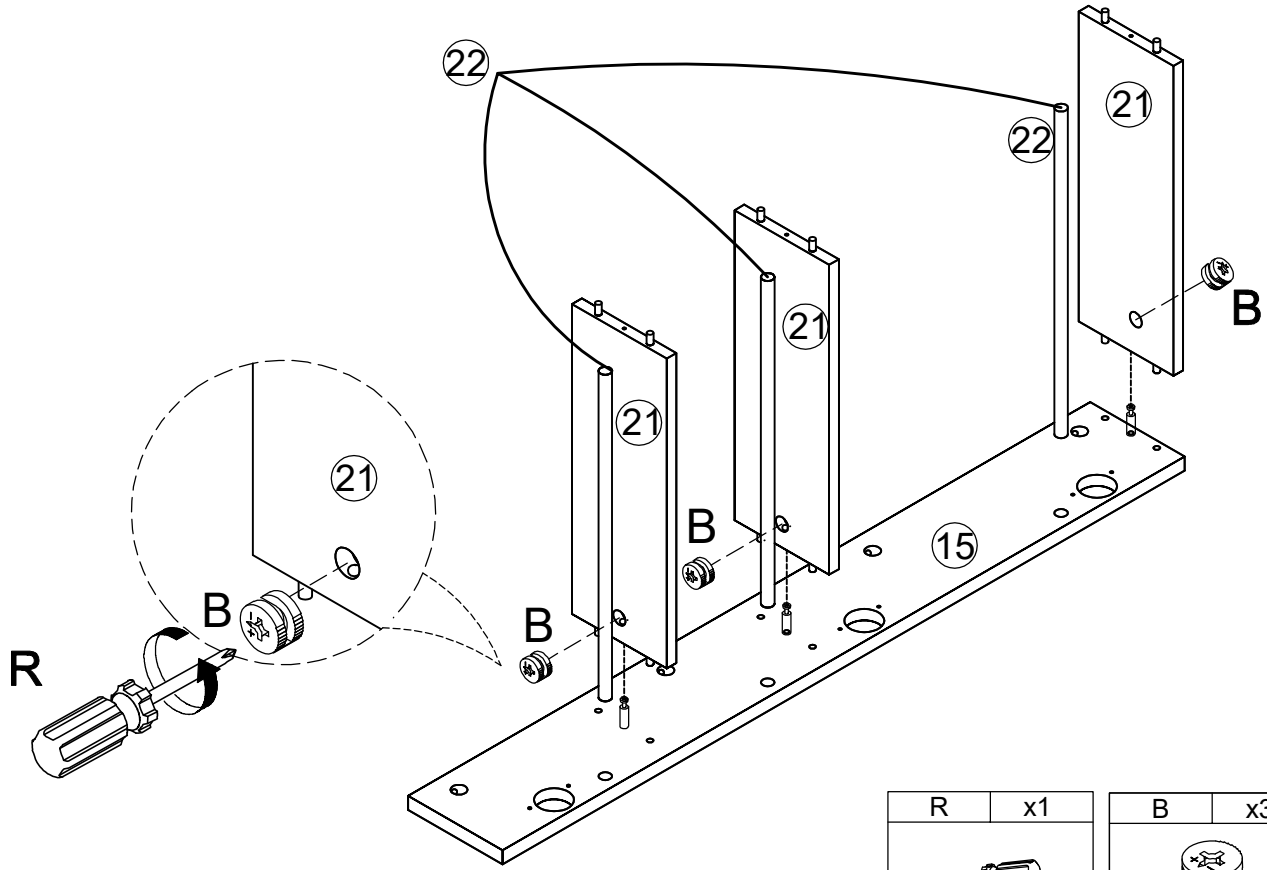
B	x3
Ø15x10mm	



28



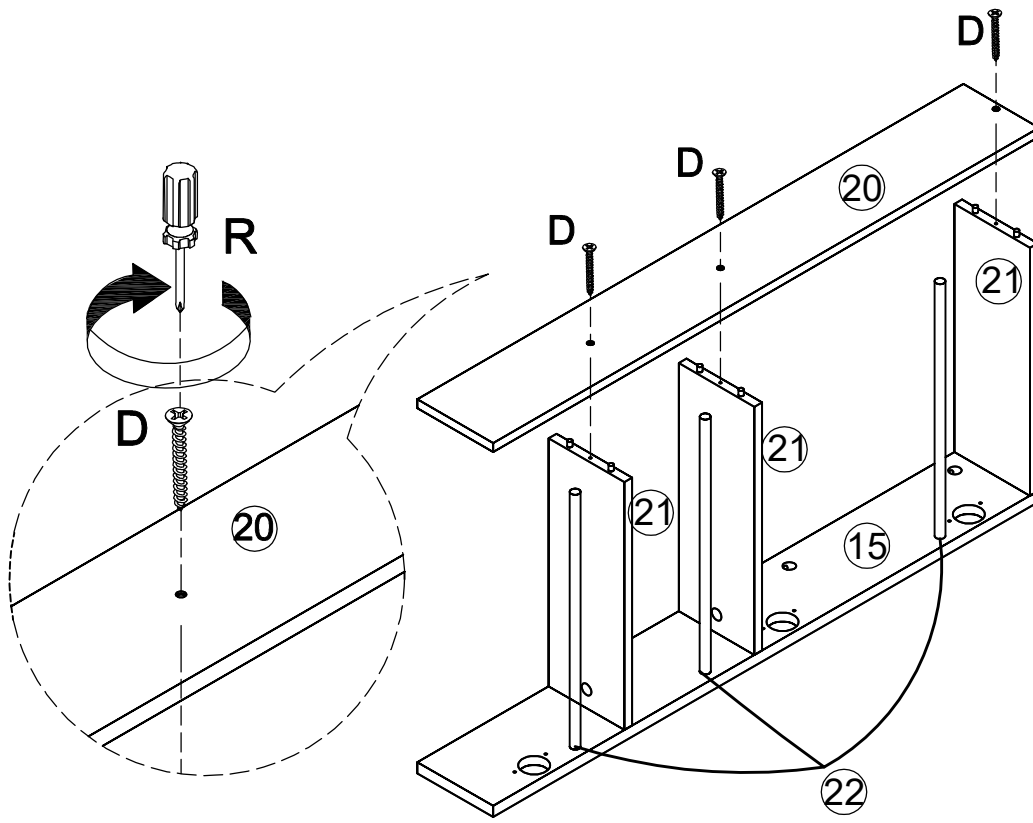
D	x3	R	x1
			
Ø4x35mm			

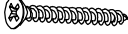

29



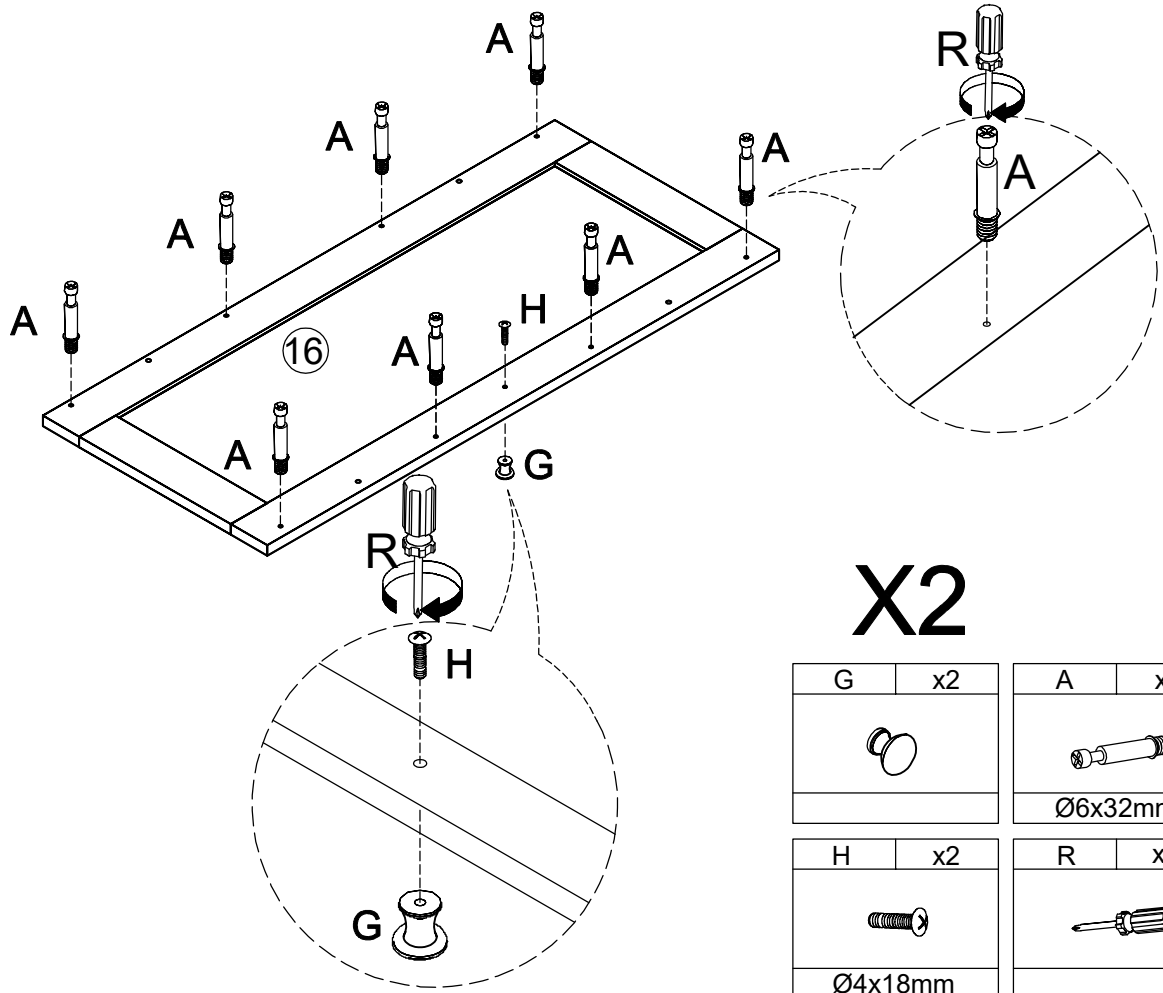
R	x1	B	x3
			
		Ø15x10mm	

30


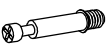




D	x3	R	x1
			
Ø4x35mm			

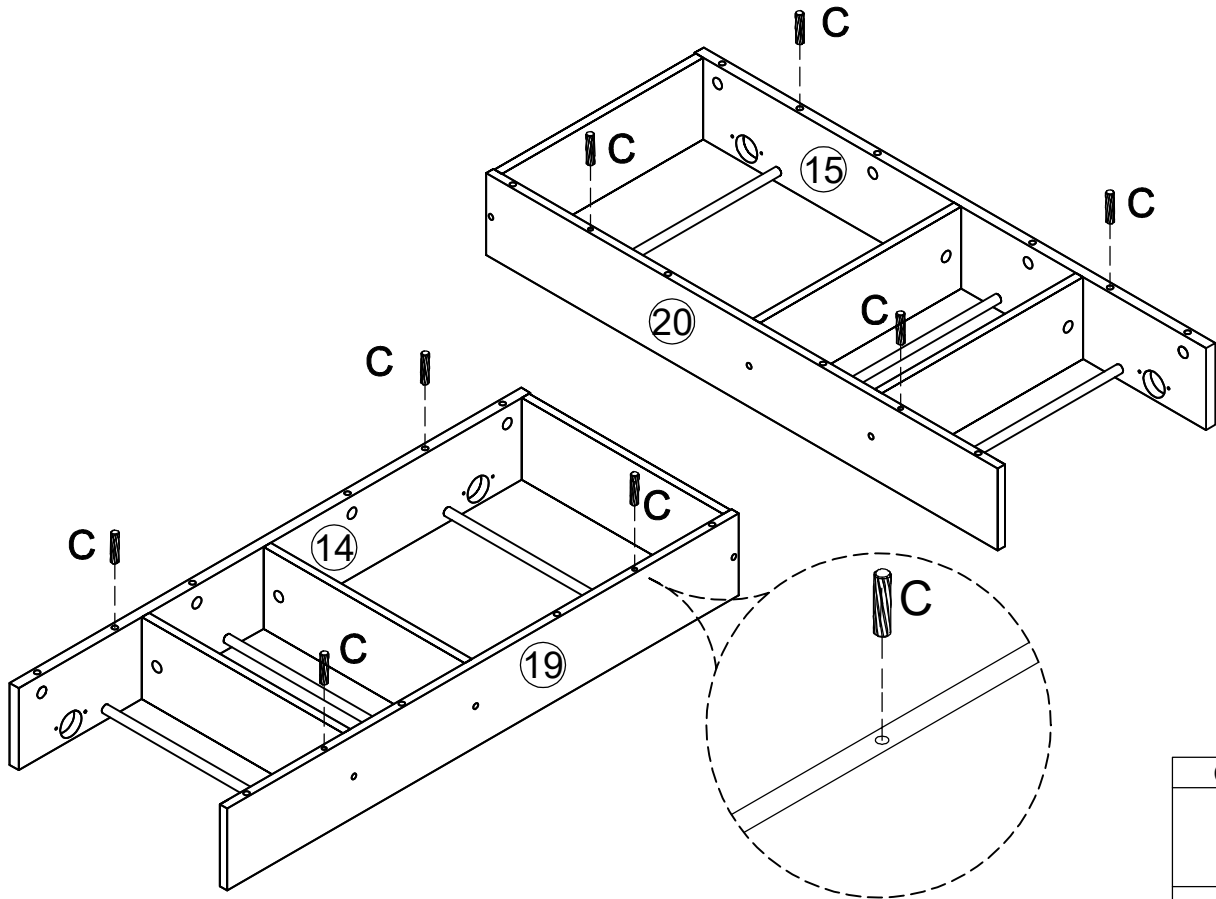
31




X2

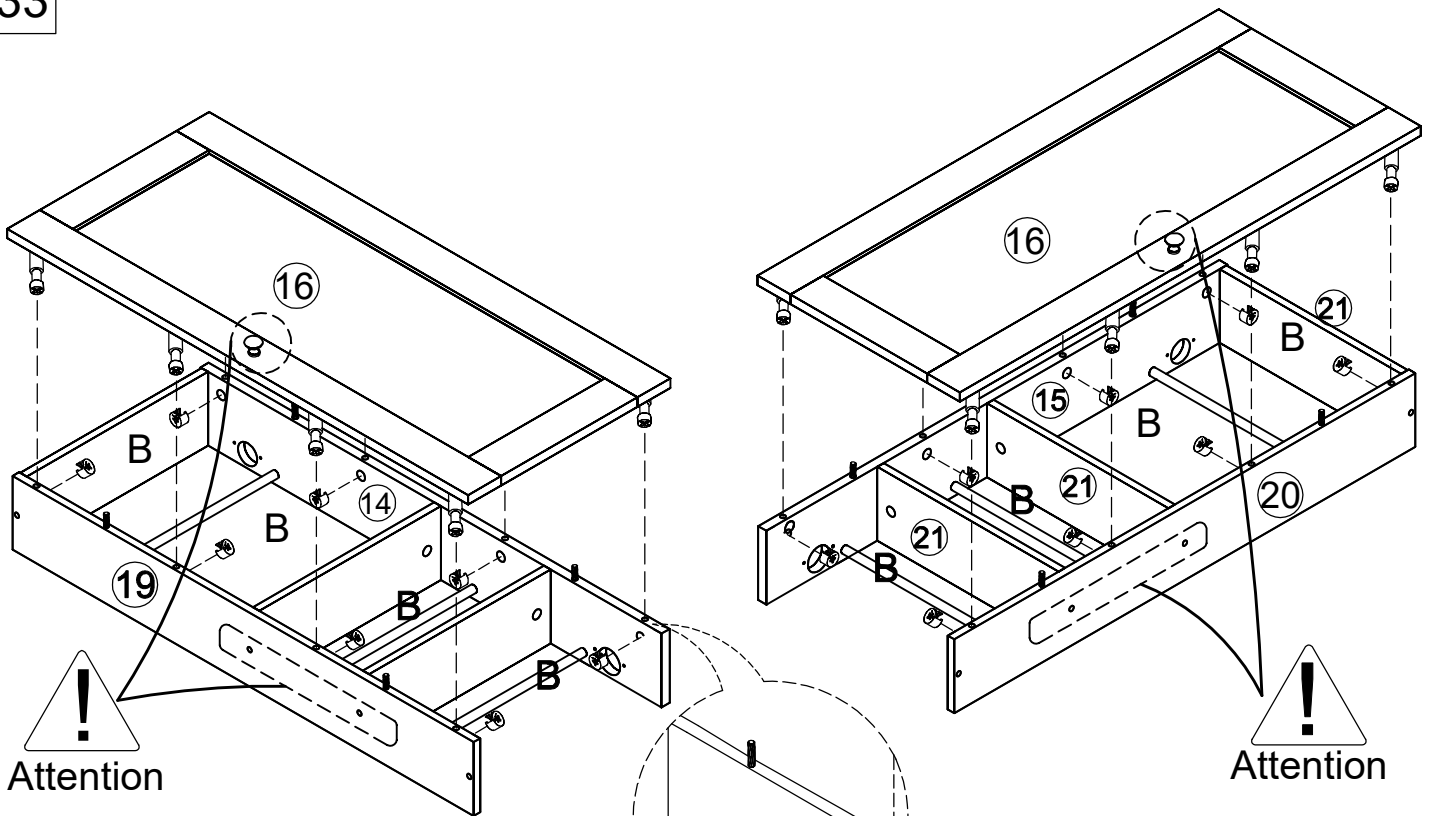
G	x2	A	x16
			
		Ø6x32mm	
H	x2	R	x1
			
Ø4x18mm			

32



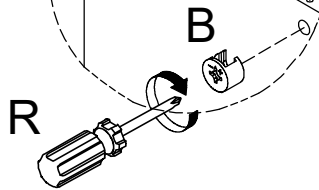
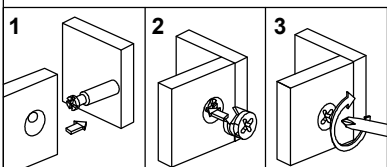
C	x8
	
Ø6x30mm	


33




!
Attention

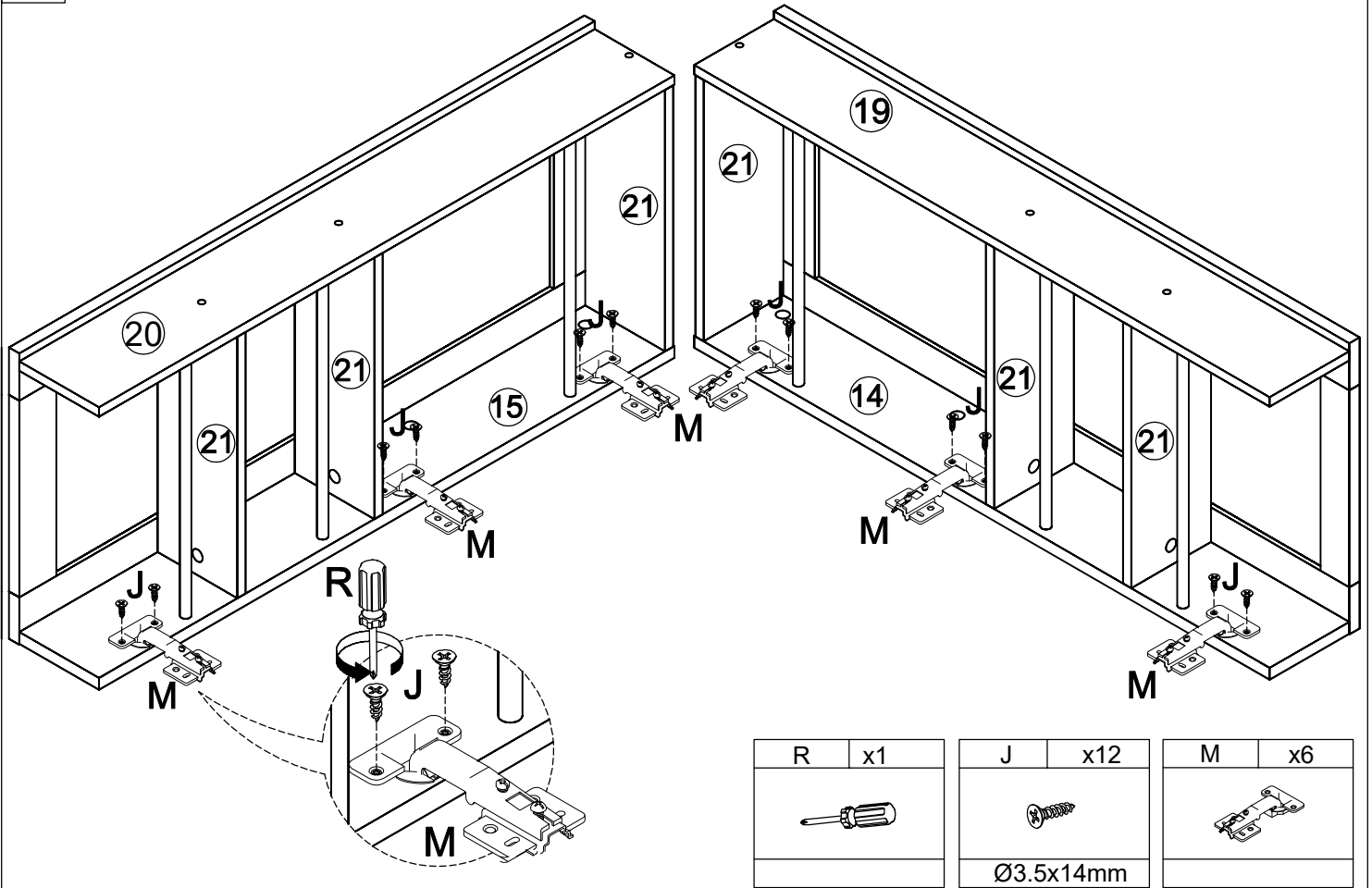
!
Attention



R	x1
	

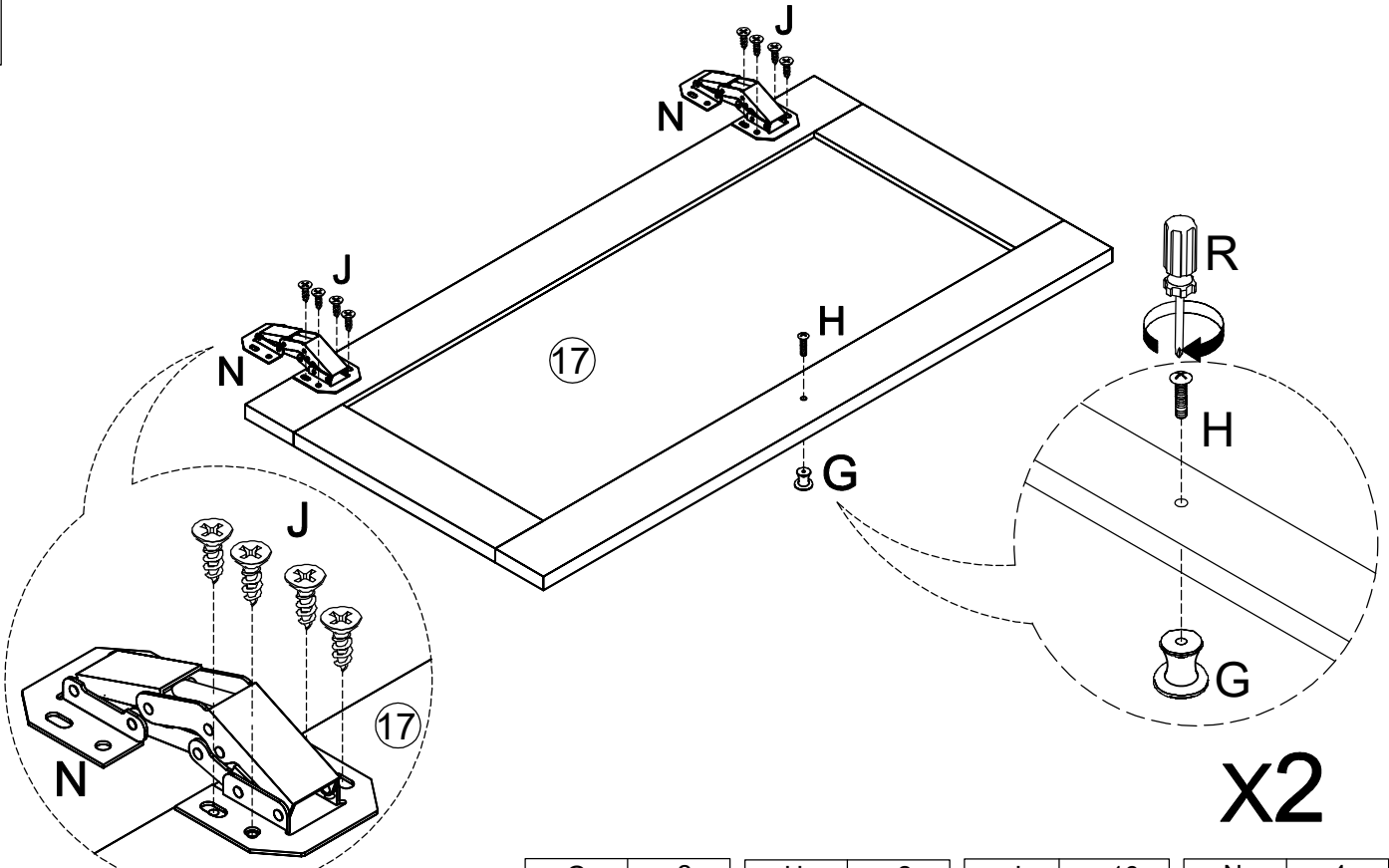
B	x16
	
Ø15x10mm	

34



R	x1	J	x12	M	x6
		Ø3.5x14mm			

35



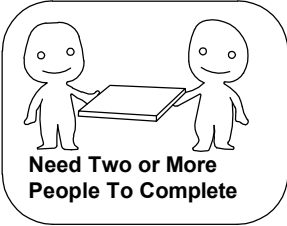
x2



Attention
Know the direction of
door hinges

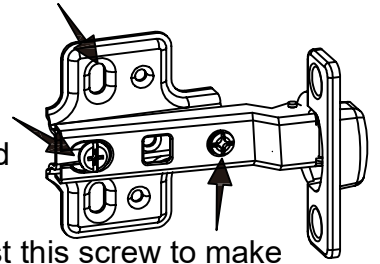
G	x2	H	x2	J	x16	N	x4
		Ø4x18mm		Ø3.5x14mm			

36 Note: After the door panel is installed, if the gap of the door is too large or too small, you can adjust this screw to adjust the gap of the door.

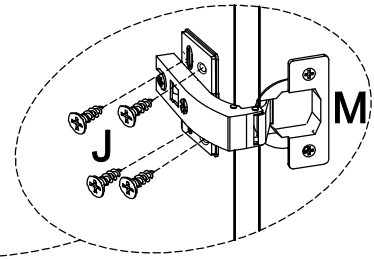
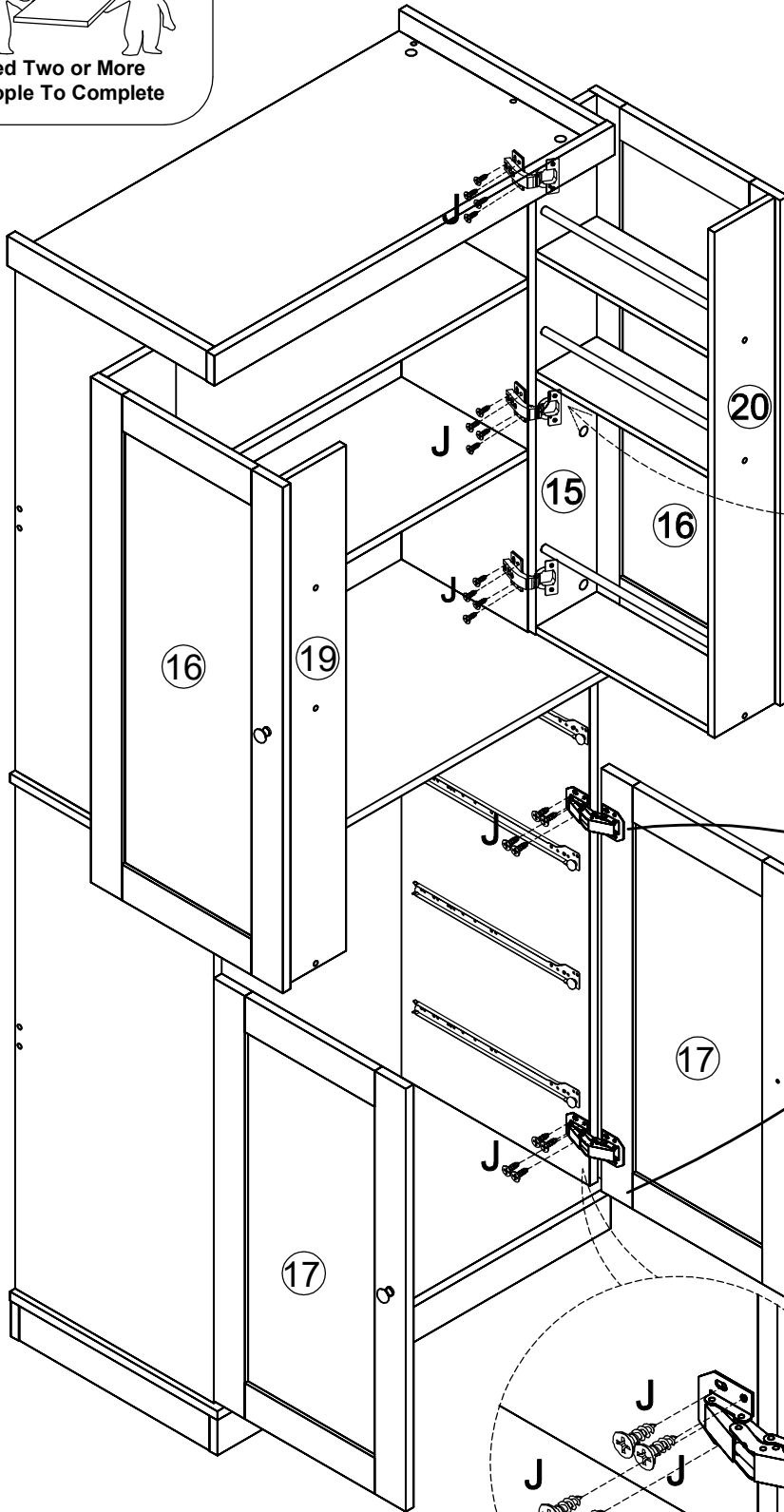


3. Adjust this screw to make the door go up or down

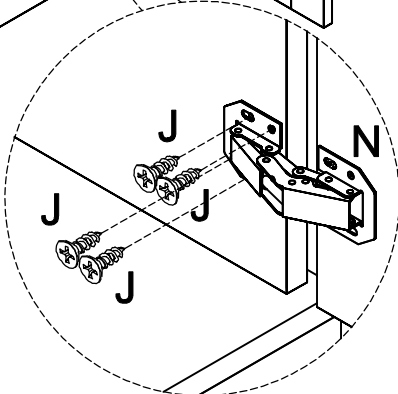
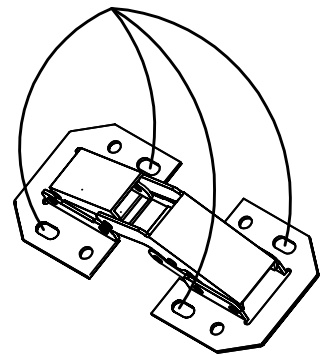
2. Adjust this screw to make the door forward or backward



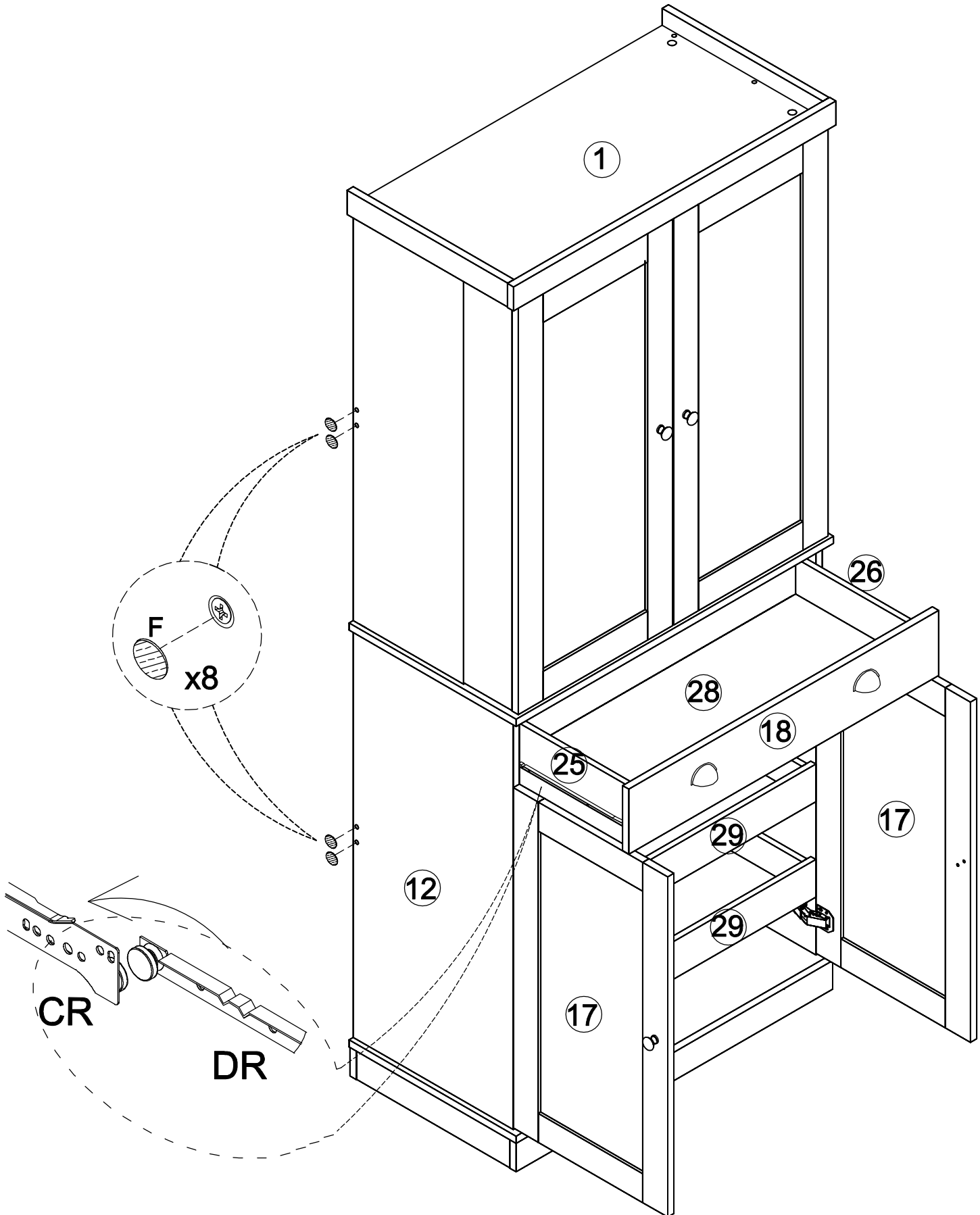
1. Adjust this screw to make the door turn left or right




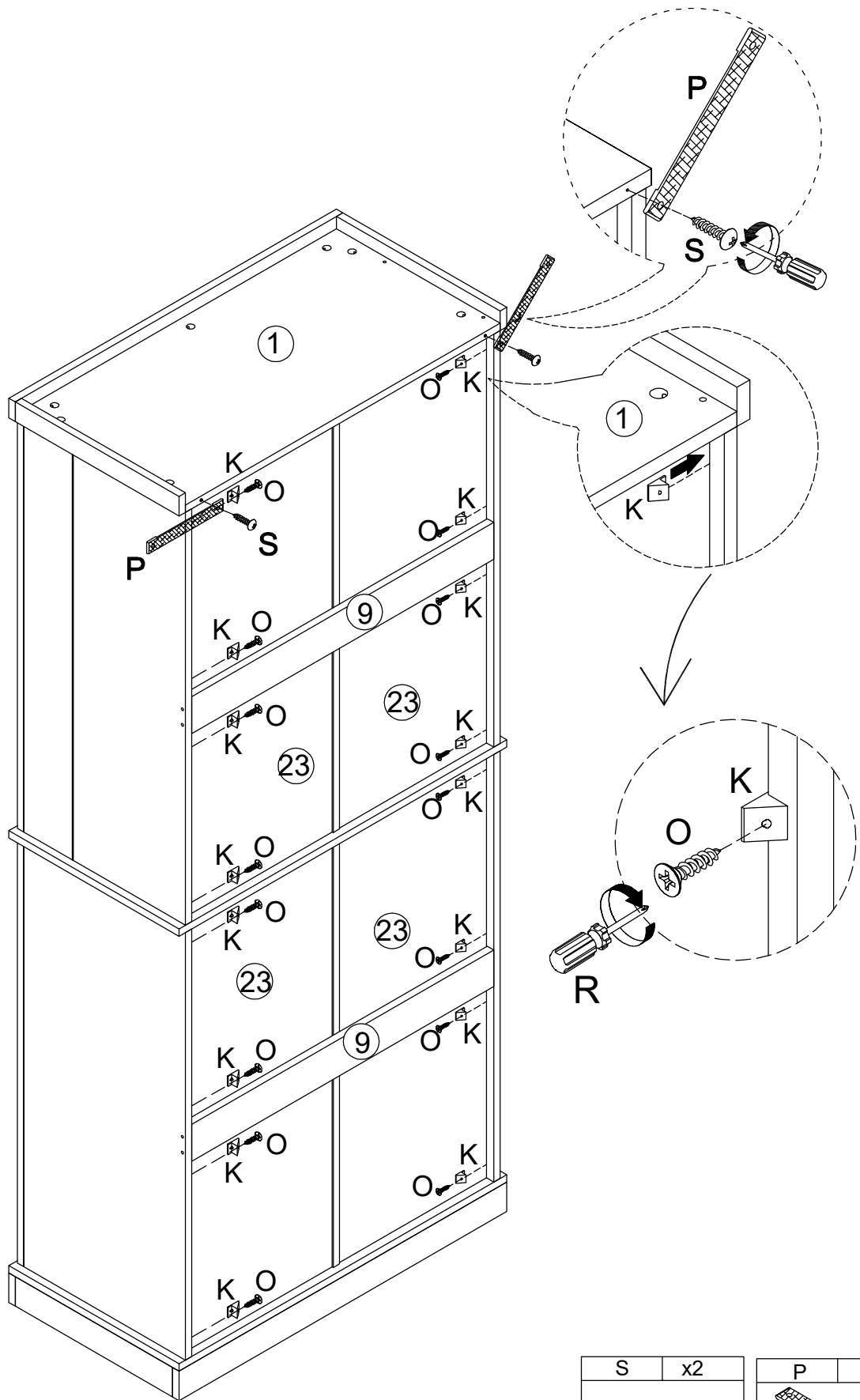
If the door doesn't close, Please adjust this screw to make the door forward or backward.


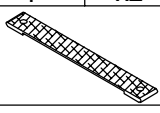



J	x40
Ø3.5x14mm	





F	x8
	
20mm	

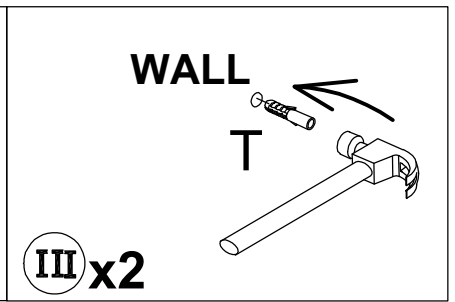
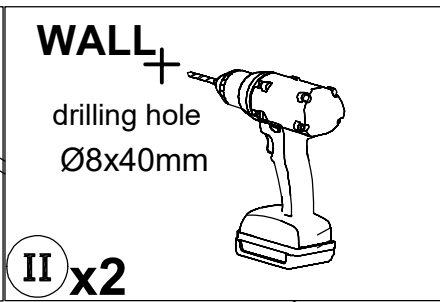
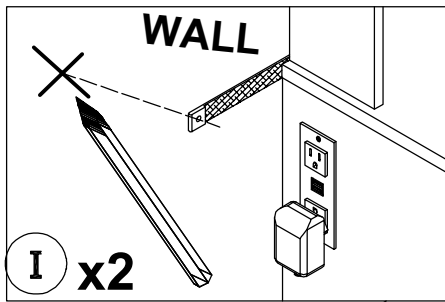


S	x2	P	x2
			

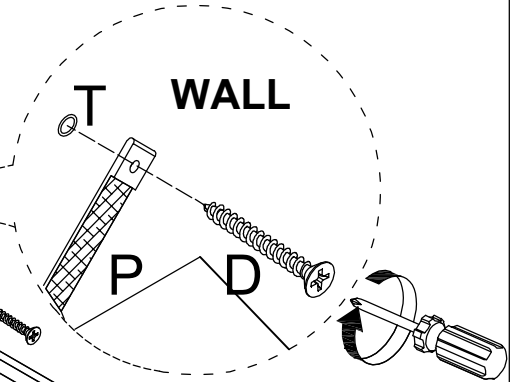
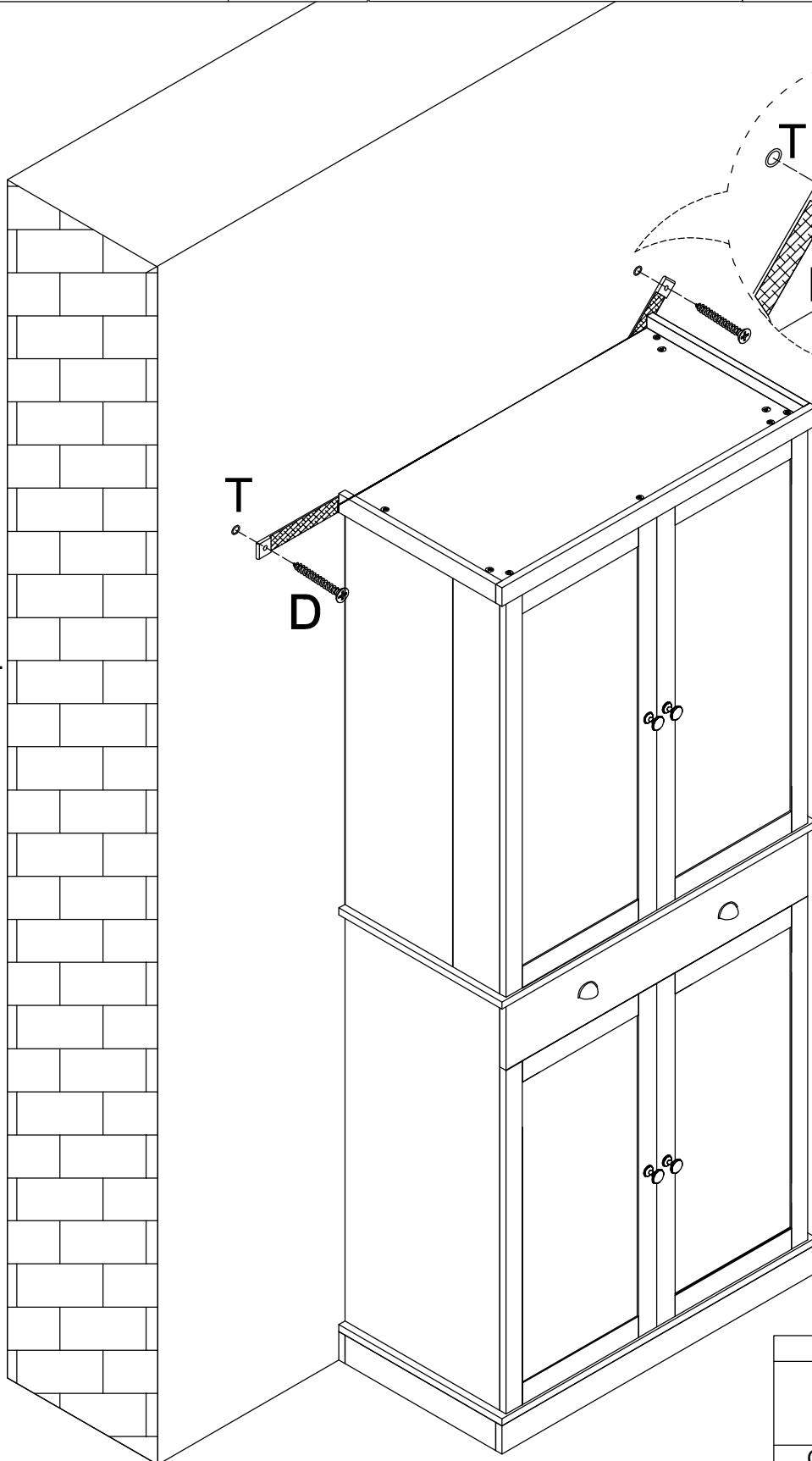
R	x1
	

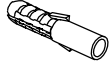
K	x16
	


O	x16
	
Ø3x16mm	



WALL



T	x2
	
Ø8x40mm	

D	x2
	
Ø4x35mm	
R	x1
