

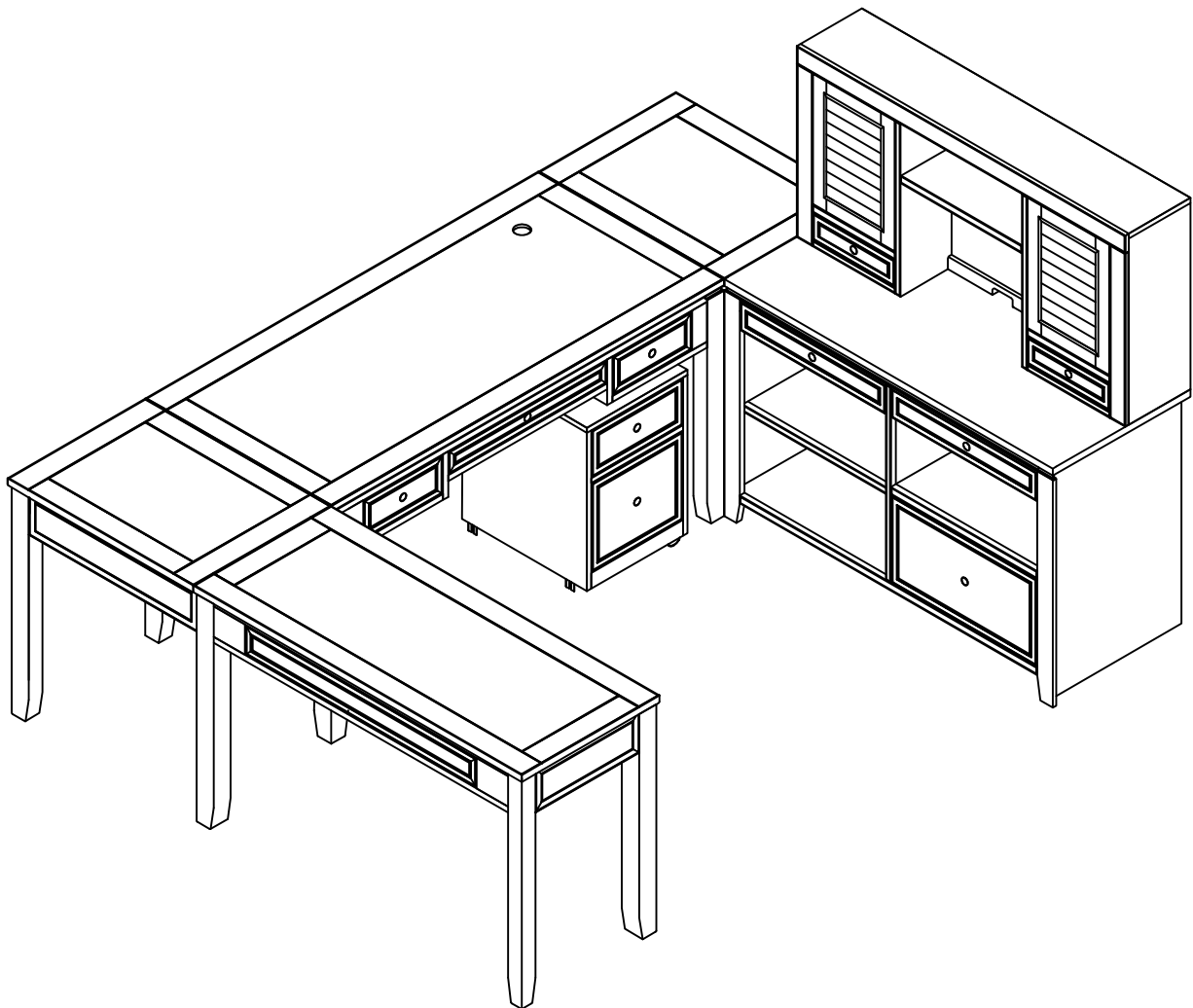


Parker House
FURNITURE

Assembly Instruction

Item No: BOC-347C

Description : 48IN. CREDENZA






Parker House
FURNITURE

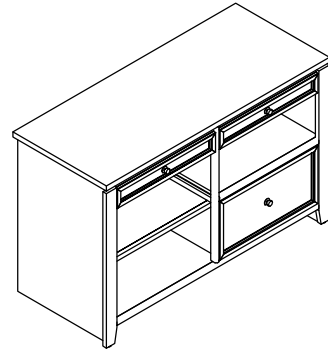
Assembly Instruction

Item No: BOC-347C

Description : 48IN. CREDENZA

HARDWARE LIST

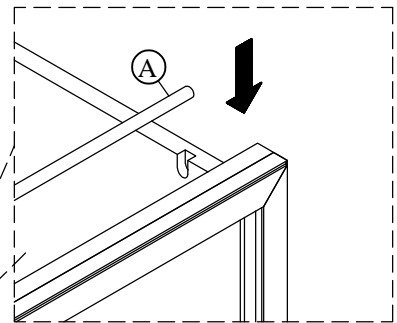
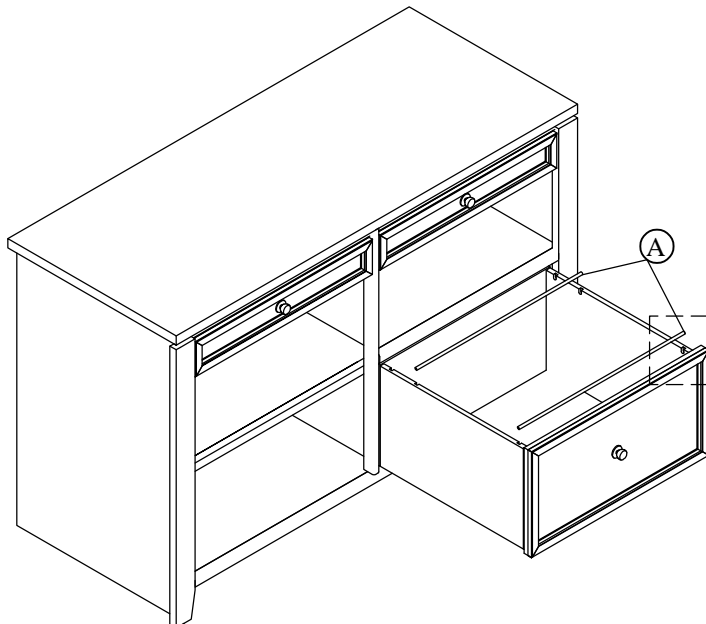
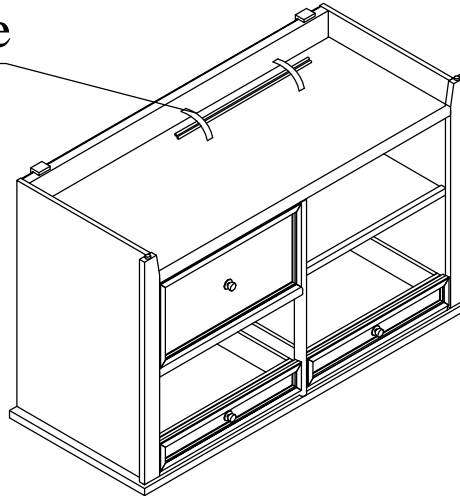
No	Description	Sketch	Q'TY
A	File rods 498mm x Ø7		2PCS



HARDWARE

File rods pack is here

STEP 1





Parker House
FURNITURE

Assembly Instruction

Item No: BOC-347D

Description : DESK

Rev 2 :2021-11-05

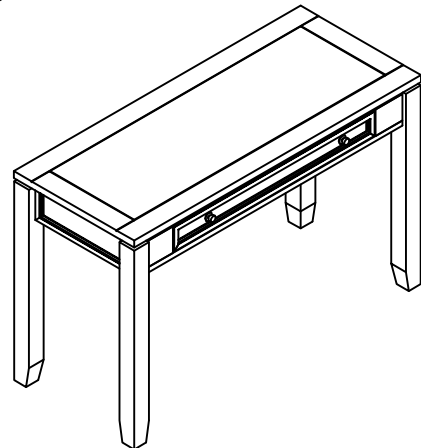
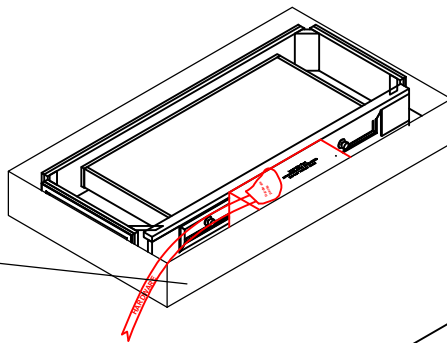
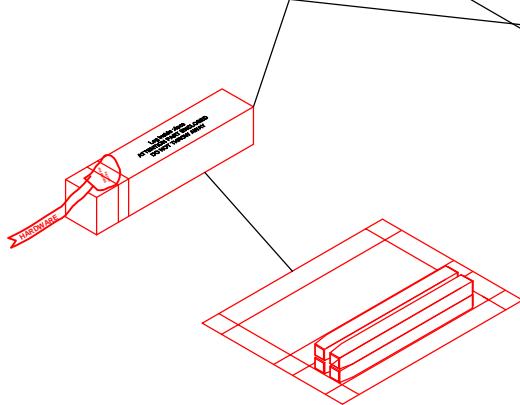
HARDWARE LIST

No	Description	Sketch	Q'TY
A	Allen wrench 5mm		1PC
B	Bolt Ø 5/16"x2-1/2"		8PCS
C	Lock washer Ø5/16"x12mm		8PCS
D	Flat washer Ø5/16"x19mm		8PCS

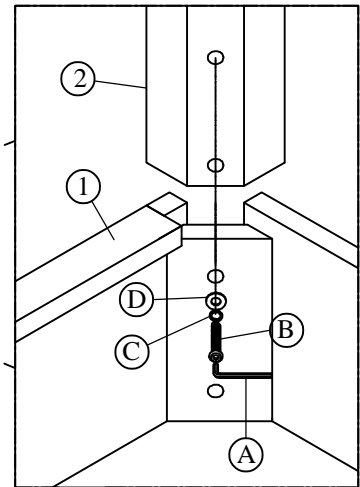
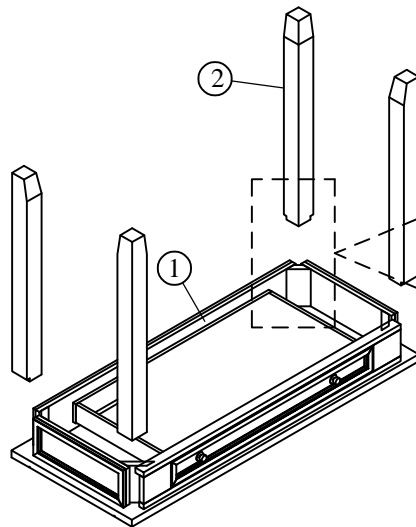
PARTS LIST

TABLE TOP (1PC)	LEG (4PCS)
①	②

Hardware and leg pack is here



STEP 1




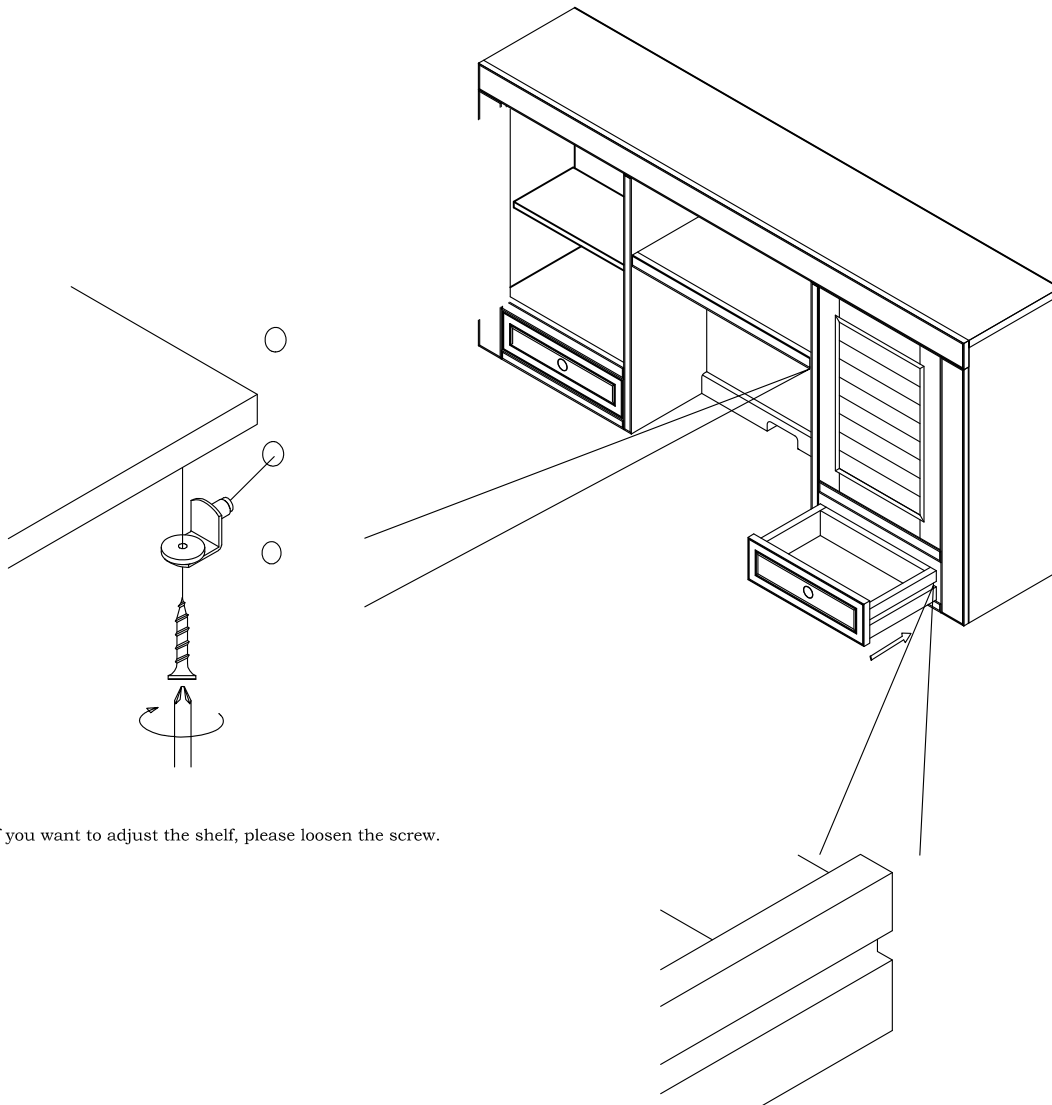
Assembly Instruction

Item NO: BOC-347H

6/10

Hardwares

NO	Description	Sketch	Q'TY
A	Touch up Pen		1pc



If you want to adjust the shelf, please loosen the screw.



Parker House
FURNITURE

Assembly Instruction

Item No: BOC-370

Description : CORNER TABLE

Rev 2 :2021-11-05

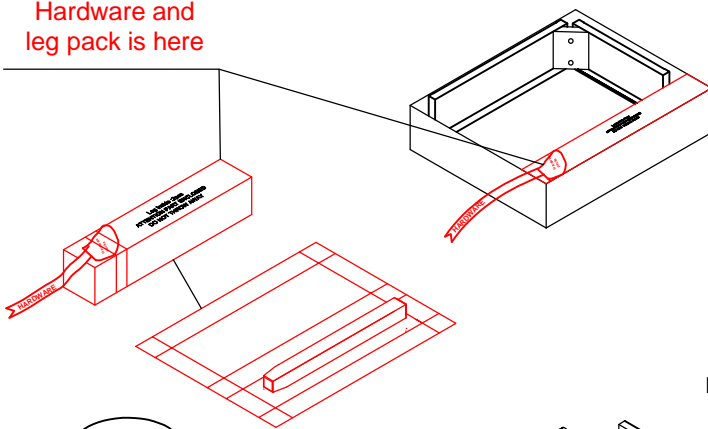
HARDWARE LIST

No	Description	Sketch	Q'TY
A	Allen wrench 5mm		1PC
B	Bolt Ø 5/16"x2"		2PCS
C	Lock washer Ø5/16"x12mm		2PCS
D	Flat washer Ø5/16"x19mm		2PCS
E	Allen wrench 4mm		1PC
F	Bolt Ø 1/4"x1-1/2"		5PCS
G	Bolt Ø 1/4"x3/4"		8PCS
H	Lock washer Ø1/4"x12mm		13PCS
I	Flat washer Ø1/4"x19mm		13PCS
J	Long metal bracket		1PC
K	Short metal bracket		1PC

PARTS LIST

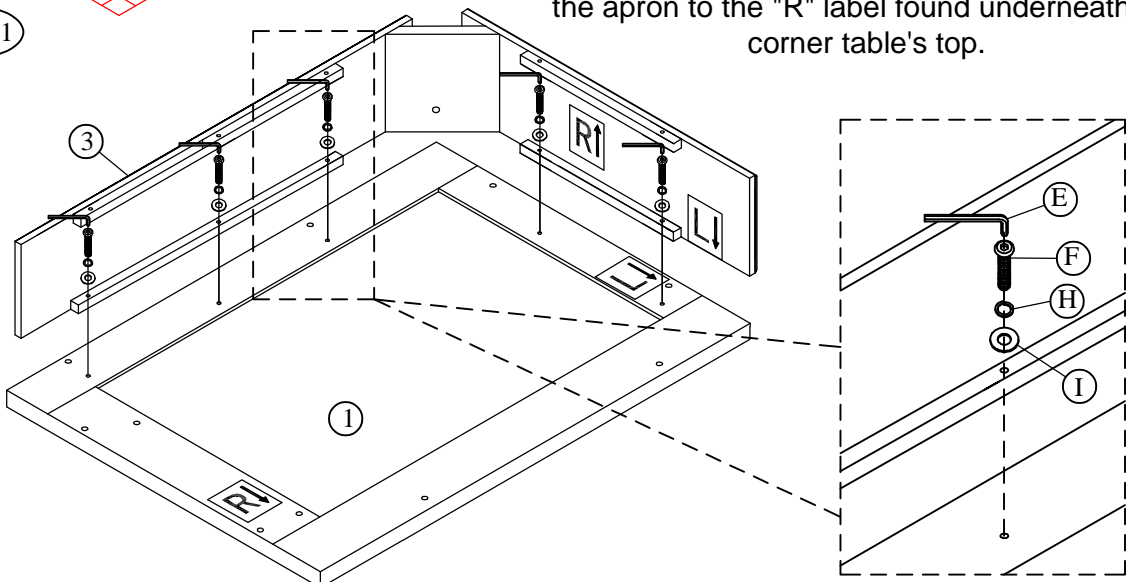
TABLE TOP (1PC)	LEG (1PC)
①	②
CORNER TABLE (1PC)	

Hardware and leg pack is here



STEP 1

To set up a left corner table, please match the "L" label on the apron to the "L" label found underneath the corner table's top. to set up a right corner table, please match the "R" label on the apron to the "R" label found underneath the corner table's top.





Parker House
FURNITURE

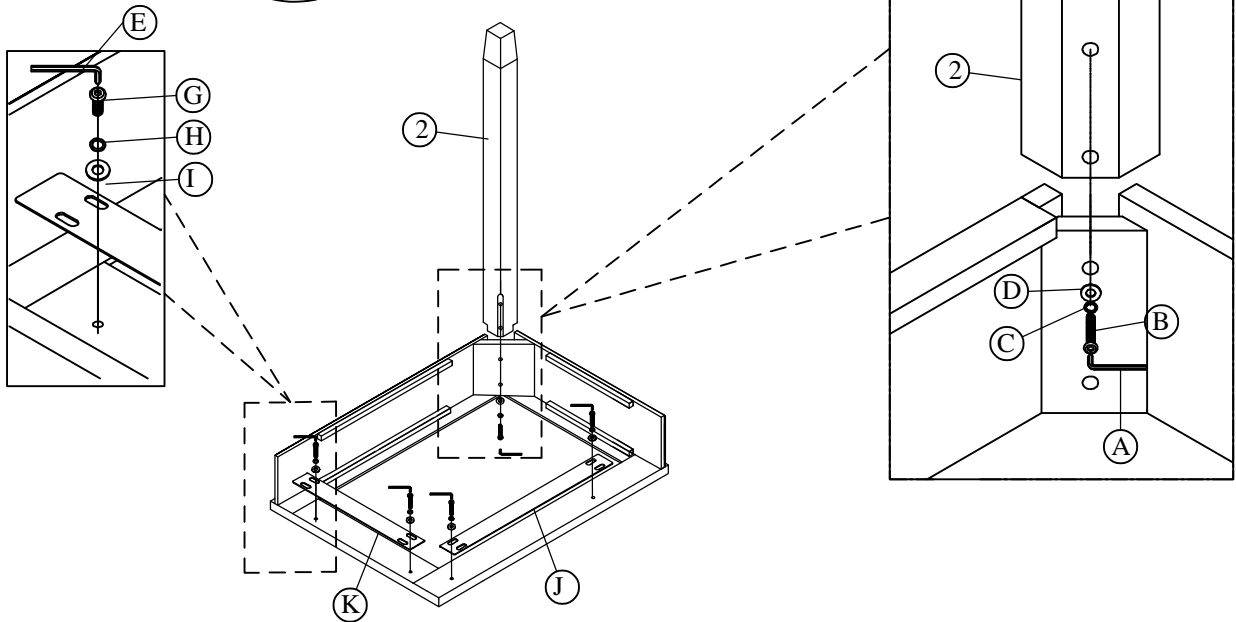
Assembly Instruction

Item No: BOC-370

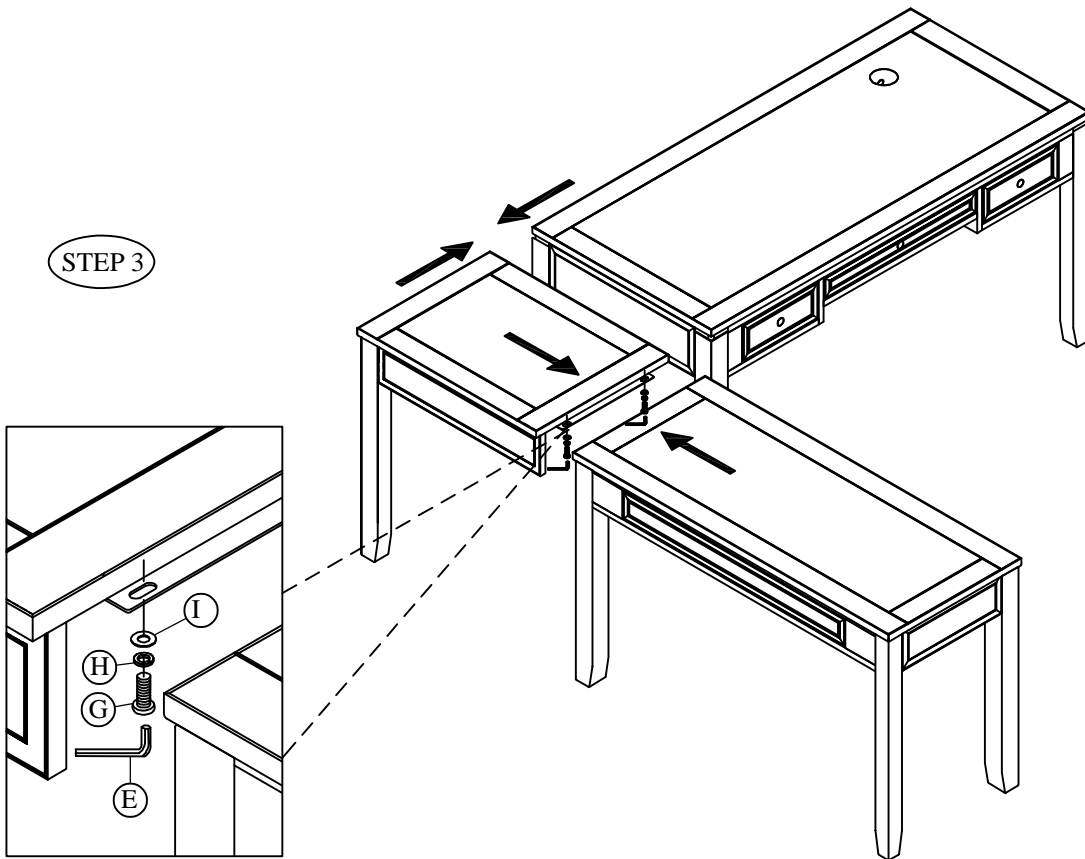
Description : CORNER TABLE

Rev 2 :2021-11-05

STEP 2



STEP 3



Configuration for BOC-370, BOC-357D &
BOC-347D assembling together.