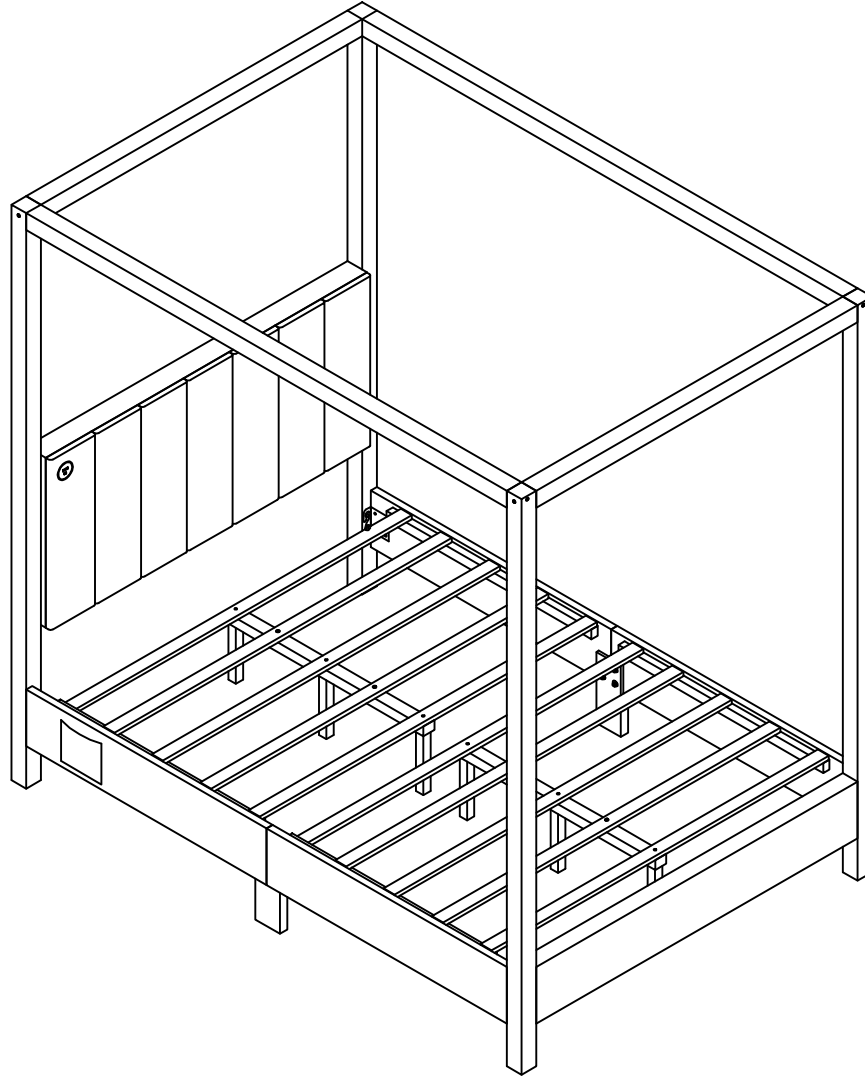


BED

ASSEMBLY INSTRUCTIONS

WF314842/WF314843 QUEEN



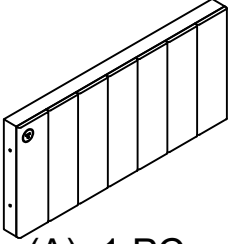
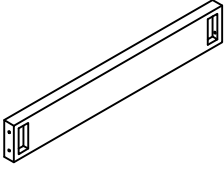
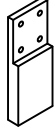

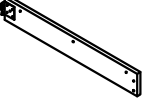
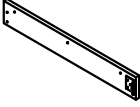
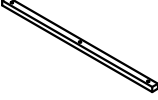


THANK YOU FOR PURCHASING BED

WARNING








- No rough tools or corrosive detergent for cleaning.
- The package contains some heavy part and sharp - edged part, please be careful when assembling to avoid any physical injury around you.
- Please strictly observe the steps of the instructions.
- Do not use a broken item and contact our customer service for guidance.

BOX 2 OF WF314843

PART LIST


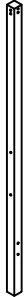



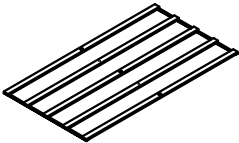
 <p>(A): 1 PC</p>	 <p>(B): 1 PC</p>	 <p>(L): 2 PCS</p>	 <p>(H): 2 PCS</p>	
 <p>(J): 2 PCS</p>	 <p>(K): 2 PCS</p>	 <p>(O): 2 PCS</p>	 <p>(M): 4 PCS</p>	 <p>(P): 6 PCS</p>

HARDWARE LIST

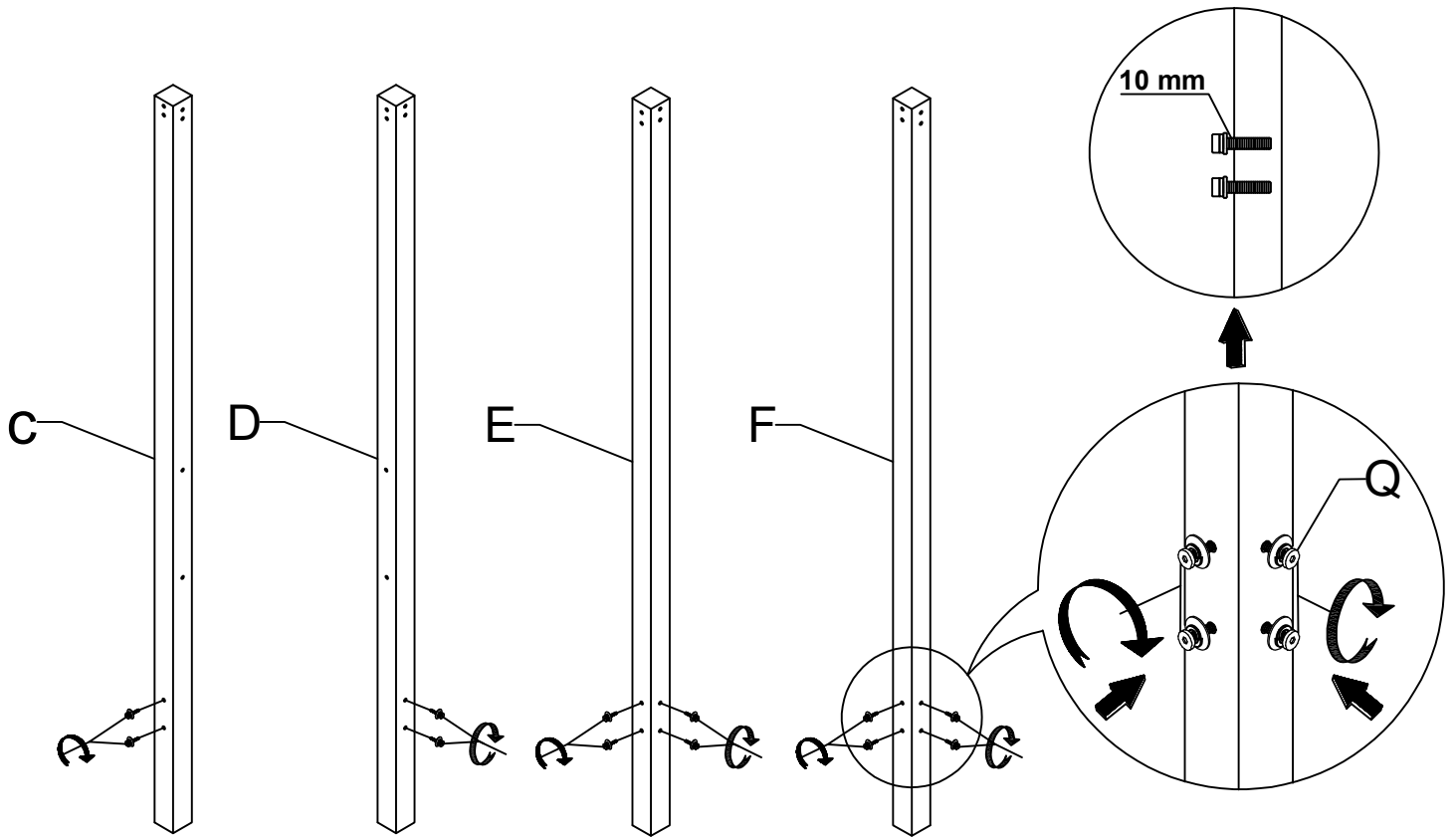
<p>5/16 " x25 mm</p>  <p>(Q): 8 PCS</p>	<p>5/16 " x50 mm</p>  <p>(R): 8 PCS</p>	<p>5/16 " x75 mm</p>  <p>(S): 8 PCS</p>	<p>1/4 " x35 mm</p>  <p>(T): 12 PCS</p>
<p>1/4 " x35 mm</p>  <p>(U): 8 PCS</p>	<p>Ø8 x30 mm</p>  <p>(V): 8 PCS</p>	<p>L5</p>  <p>(W): 1 PC</p>	


BOX 1 OF WF314842

PART LIST

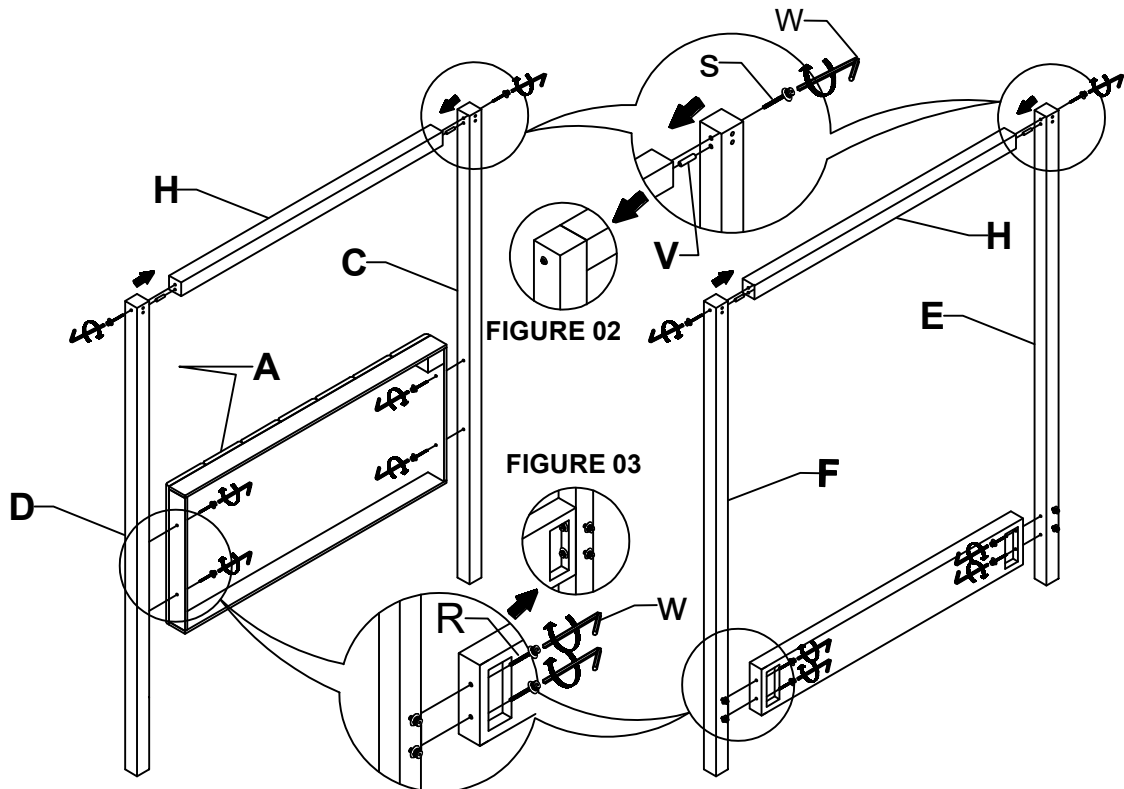
 <p>(C): 1 PC</p>	 <p>(D): 1 PC</p>	 <p>(E): 1 PC</p>	 <p>(F): 1 PC</p>	 <p>(G): 2 PCS</p>
 <p>(N): 2 PCS</p>				





Step 1:



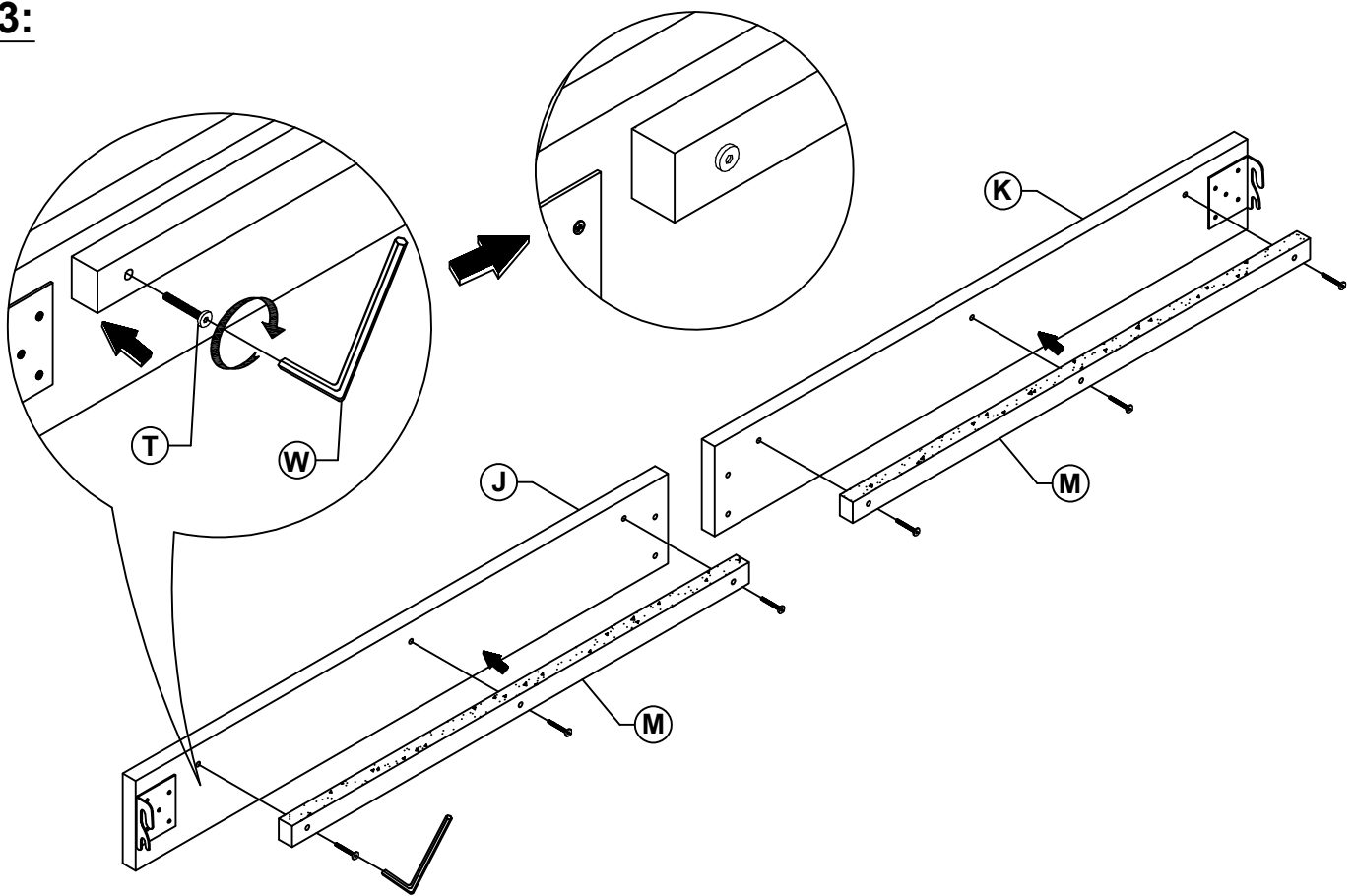
Q	Bolt 5/16 " x25 mm		8 PCS
----------	--------------------	---	-------

Step 2:



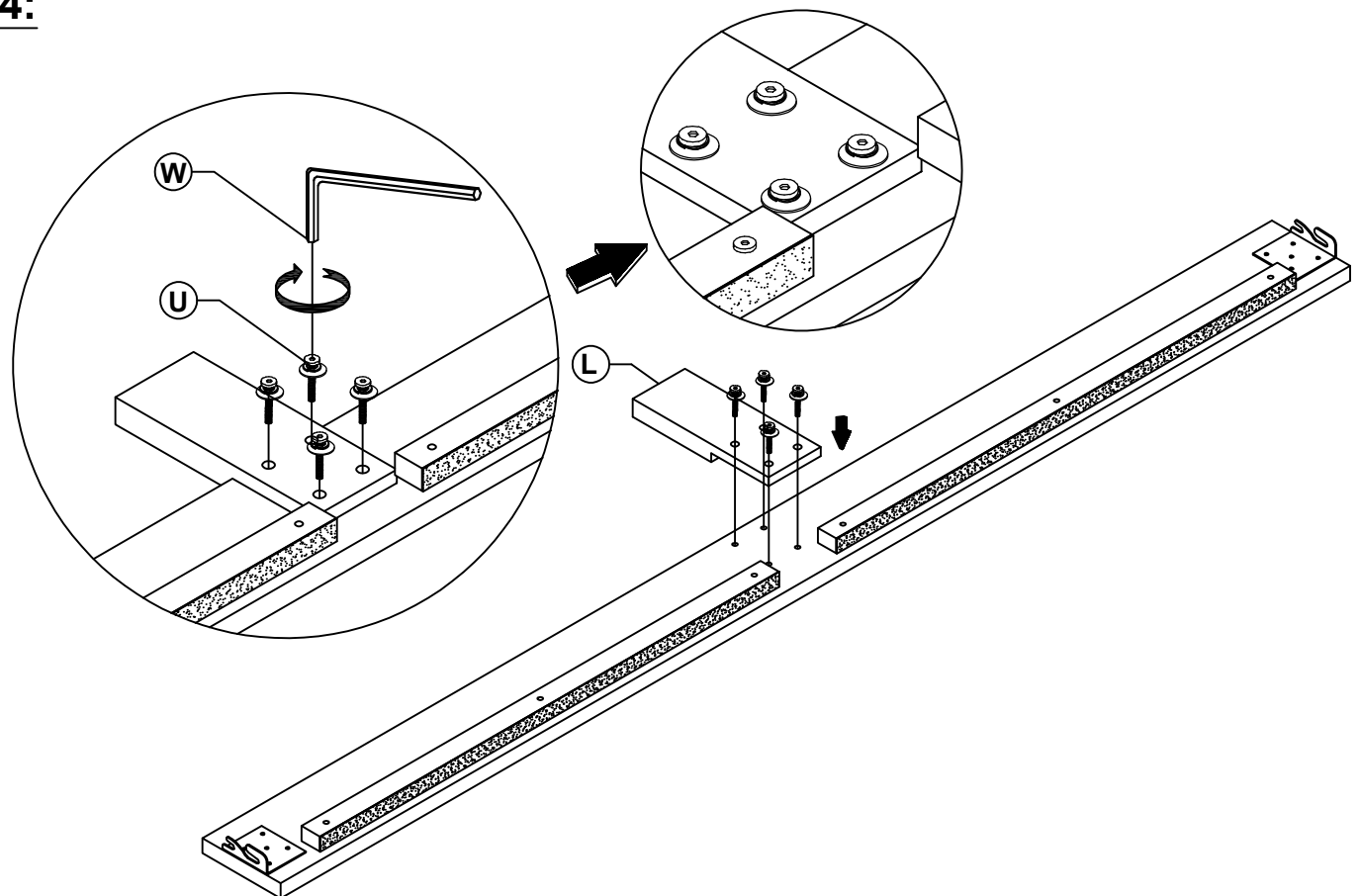
R	Bolt 5/16 " x50 mm		8 PCS	V	Wooden Pegs (Ø8x40mm)		4 PCS
S	Bolt 5/16 " x75 mm		4 PCS	W	Allen Wrench (M5x100mmx30mm)		1PC

Step 3:



T	Bolt 1/4 " x35 mm		12 PCS	W	Allen Wrench (M5x100mmx30mm)		1PC
----------	-------------------	---	--------	----------	---------------------------------	---	-----

Step 4:



U	Bolt 1/4 " x35 mm		8 PCS	W	Allen Wrench (M5x100mmx30mm)		1PC
----------	-------------------	---	-------	----------	---------------------------------	---	-----

Step 5:

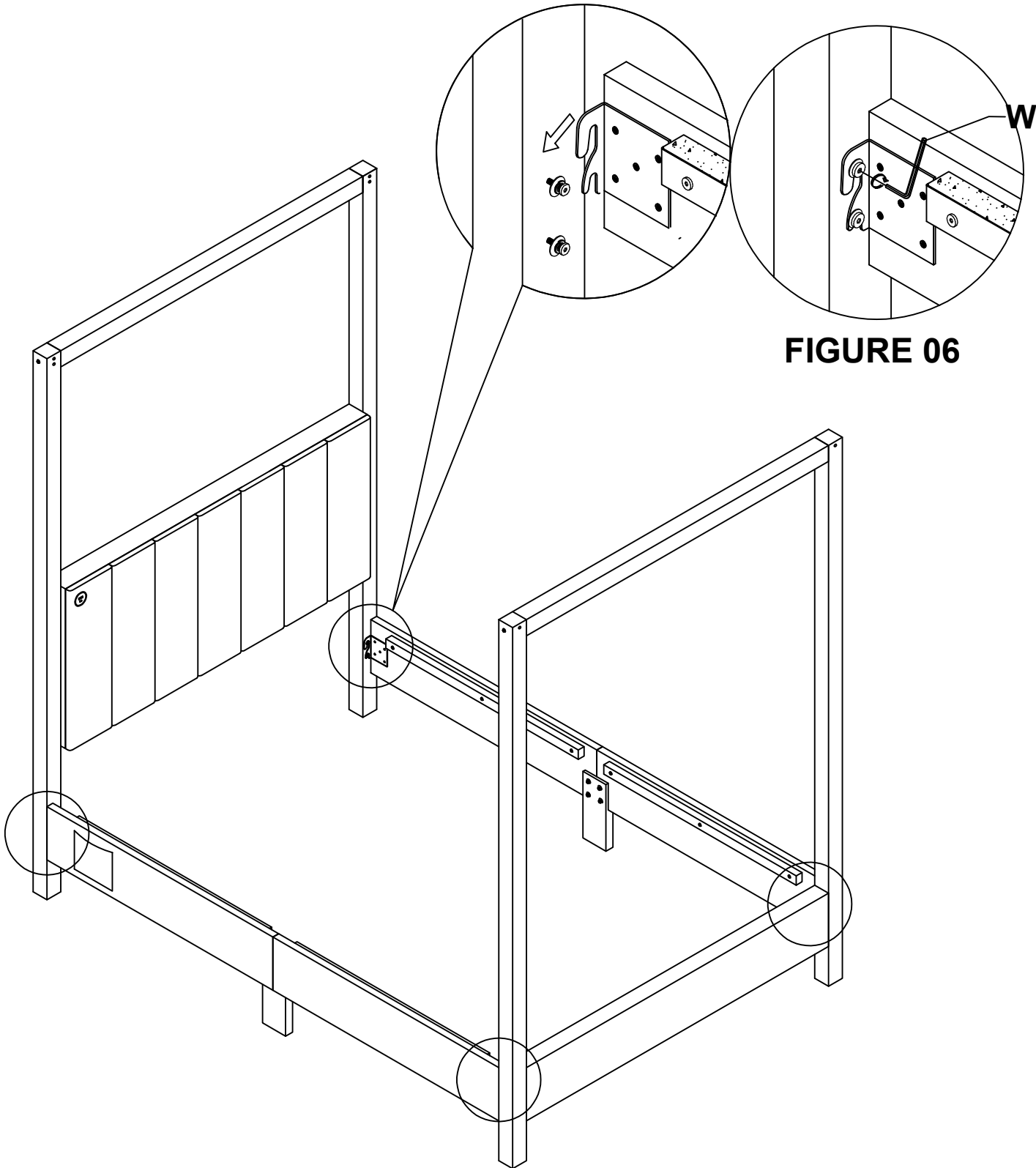


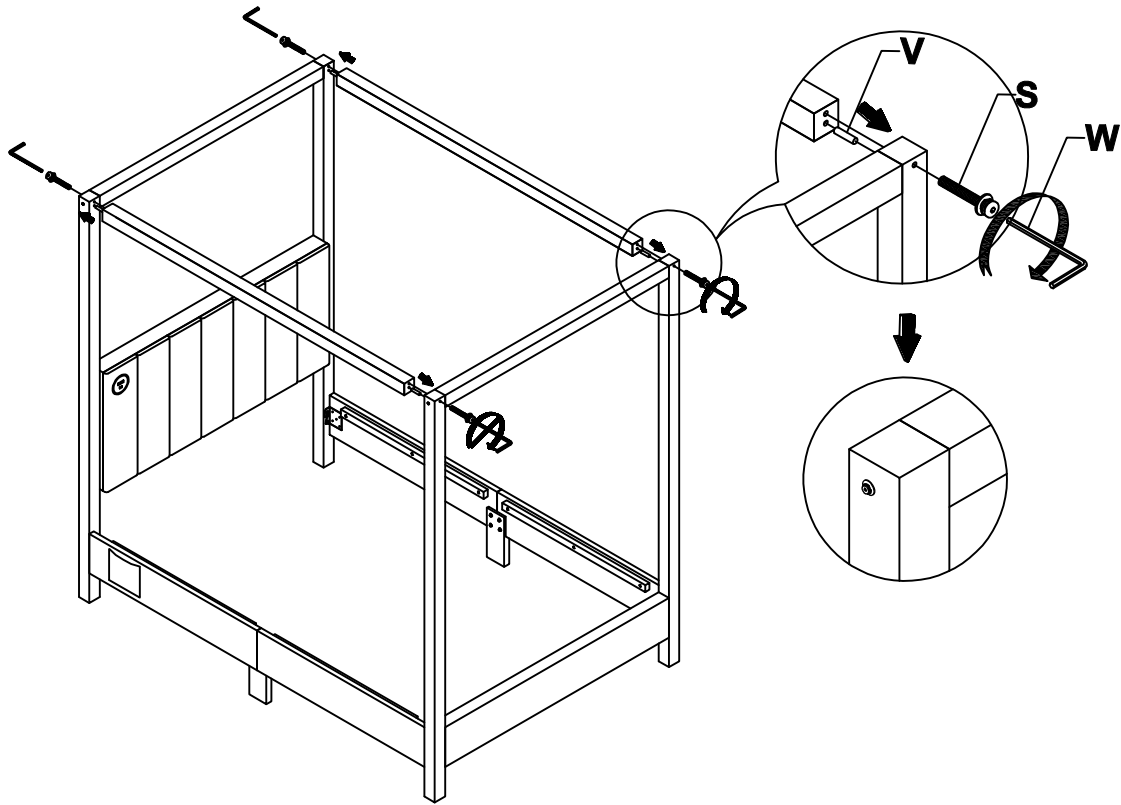

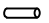



FIGURE 06

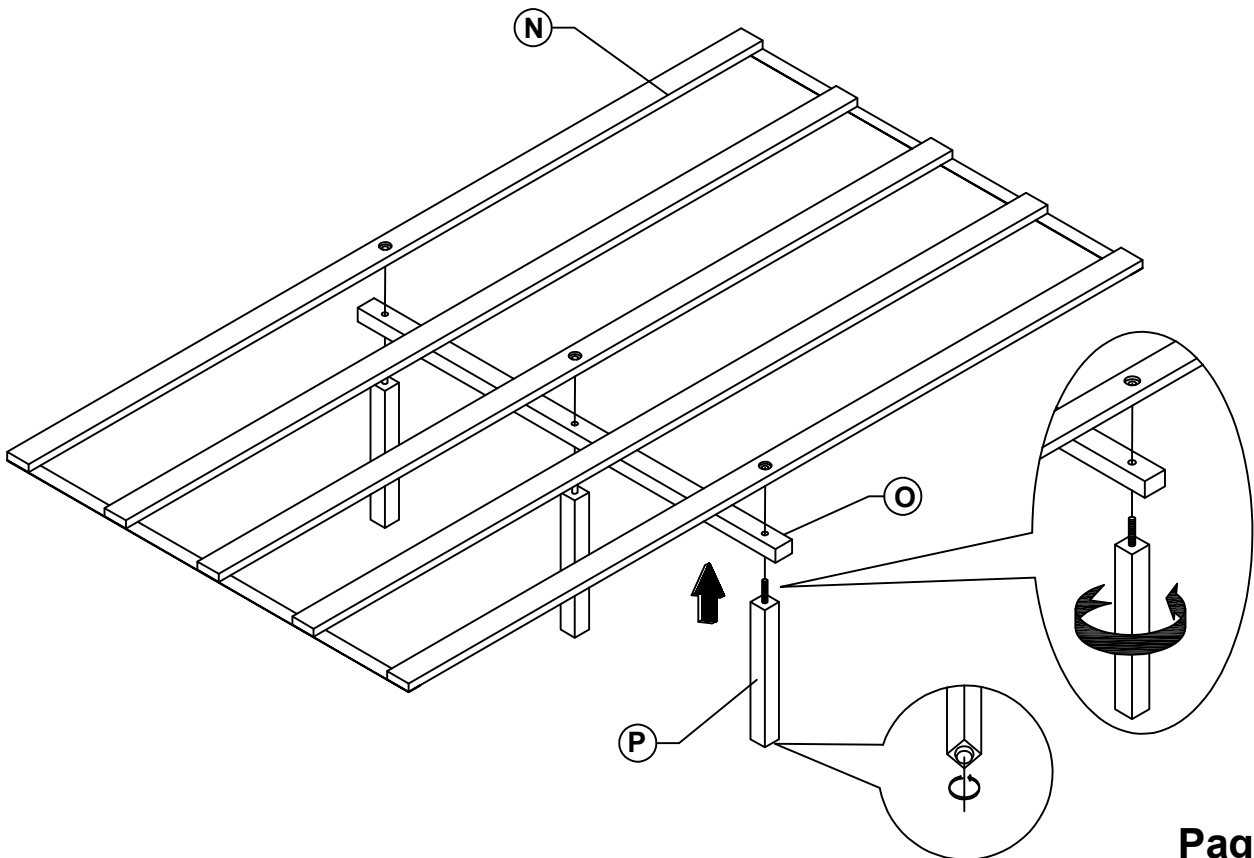
Q	Bolt 5/16 " x25 mm		8 PCS
W	Allen Wrench (M5x100mmx30mm)		1PC

Step 6:

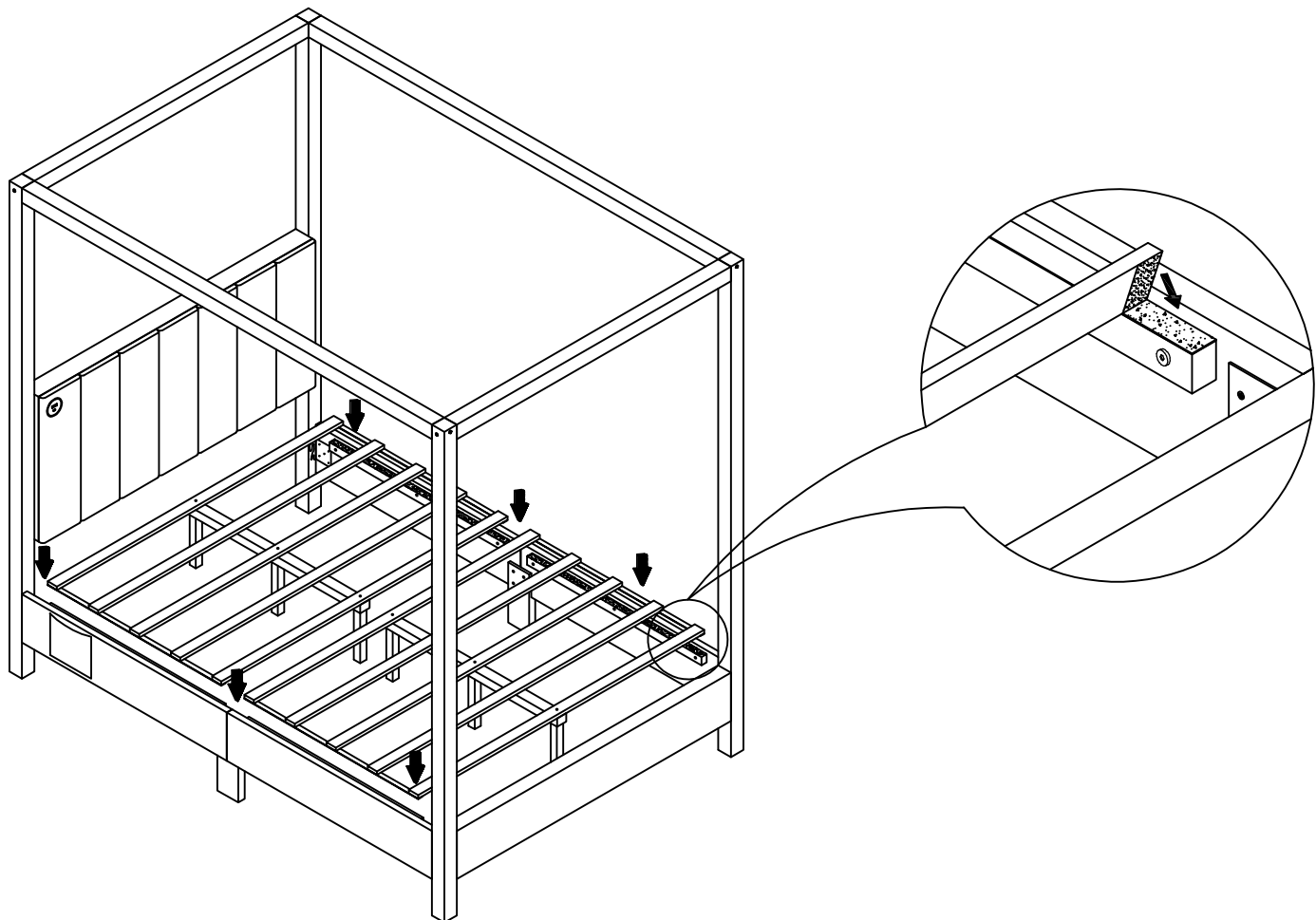


S	Bolt 5/16 " x75 mm		4 PCS	V	Wooden Pegs (Ø8x40mm)		4 PCS
W	Allen Wrench (M5x100mmx30mm)		1PC				

Step 7: Install the center rail (O) to the slat set (N) tighten by the center legs (P).



Step 8: Install the slat set to the bed.



Step 9: ASSEMBLE COMPLETE.

