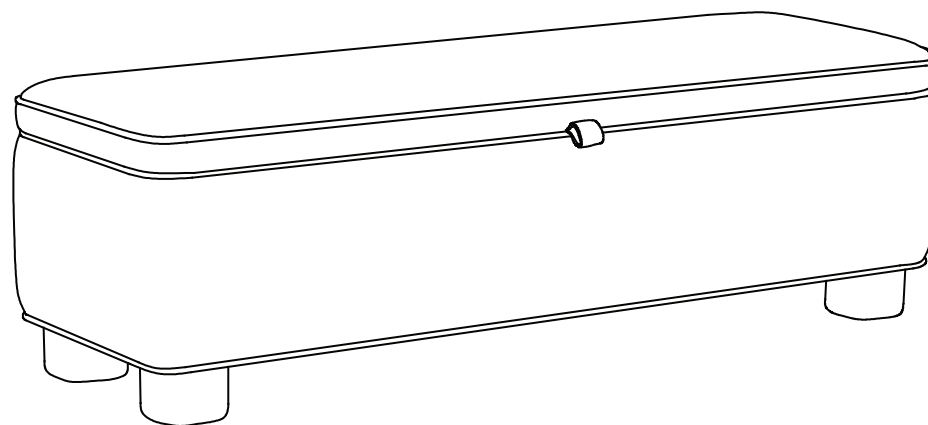


# ASSEMBLY INSTRUCTIONS.

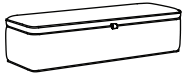




STORAGE BENCH LIGHT GREY



THANK YOU FOR YOUR PURCHASE!

# PARTS AND HARDWARE.

## PARTS LIST

No.	DESCRIPTION	IMAGE	Q'TY
P1	BODY		1
P2	WOODEN LEGS (A)		4
P3	Metal Gasket		4
P4	Screw M8x80		4
P5	Wrench		1

## NOTES.

Thank you for purchasing this quality product!  
Be sure to check all packing material carefully for small part that may have come loose inside the carton during shipping.

**CAUTION:** The item is heavy, assembly should be performed by two people.

