

# ASSEMBLY INSTRUCTION

## END TABLE

### PART LIST:

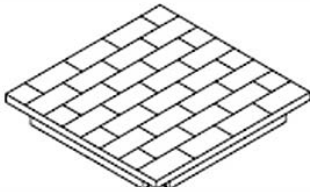


Table Top  
A\*1 PC

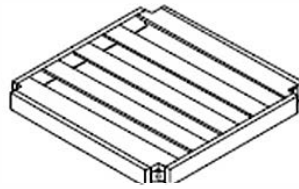


Table Shelf  
B\*1 PC



Cross Bar  
C\*4 PCS

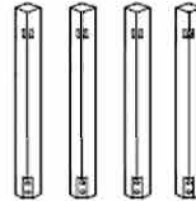
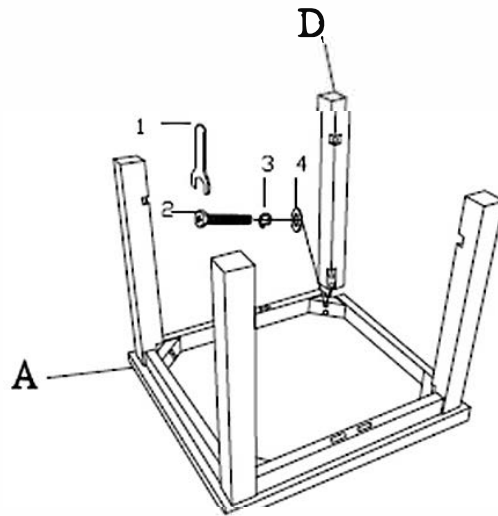


Table leg  
D\* 4PCS

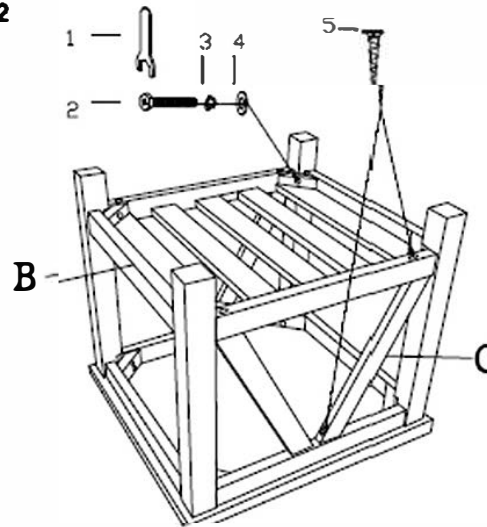
### HARDWARE LIST

NO.	Icon	Hardware Name	Specification	Quantity
1		Allen Wrench	4mm	1 PC
2		Bolt	Ø5/16" x 2-1/2"	12 PCS
3		Spring Washer	Ø5/16"	12 PCS
4		Flat Washer	Ø5/16" x Ø19mm	12 PCS
6		SCREW	Ø8mm x 1-1/2"	8 PCS

### STEP 1



### STEP 2



### COMPLETED

